

Grainy Numbers¹

Gilles CHAMPENOIS

Collège Saint-André, Saint-Maur, France

gilles_champenois@yahoo.fr
http://gilles.champenois.free.fr

ABSTRACT. The grainy numbers are defined as finite sequences of pairs of natural numbers restricted to x- and y-axes. Their set forms a bilattice, and as poset may be used to construct a new fuzzy set system. We mention two major applications: a ready-to-use pair of lattices for mnesors² and a multi-valued logic with a supplementation negation.

*"Die ganzen Zahlen hat der liebe Gott gemacht,
alles andere ist Menschenwerk."*

Leopold Kronecker (1823-1891)

I. INTRODUCTION

In the now familiar Zadeh's theory, $k-16$ ($k-i$ here represents the number of years a student attend school before leaving) falls under HIGH-EDUCATED fuzzy set with a membership coefficient of 100%. In fuzzy set theory, the negation of a predicate exists and is itself a predicate: for example $k-16$ (resp. $k-8$) falls under NOT_HIGH-EDUCATED fuzzy set with a membership coefficient of 0% (resp. 100%). By contrast, LOW-EDUCATED is another predicate which differs from NOT_HIGH-EDUCATED predicate because $k-12$ falls under the former with a coefficient of 0% and under the latter with a coefficient of more than 50%.

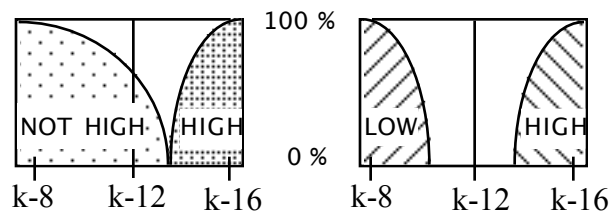


FIGURE. Two sorts of negation

We can see that two sorts of negation must be considered: complementation negation (NOT_HIGH-

¹ Les nombres granités

² See "the theory of mnesors" also by the author

EDUCATED vs. HIGH-EDUCATED) which has been much studied in mathematical logic [2]; while contrariety negation (LOW- vs. HIGH-EDUCATED) has been put aside although ancient logic mentioned it [1]. Contrariety negation is precisely what we called *supplementation* negation. My intention here is to extend Zadeh's membership function. So we could capture the notion of supplementation and put it on a mathematical track. Following a Kurt-Lewin way of thinking, k-8 is given a -100% value to modelise a strong repulsion to HIGH-EDUCATED predicate, while k-16 is given a $+100\%$ value for strong repulsion and k-12 a 0% for neutrality (see below).

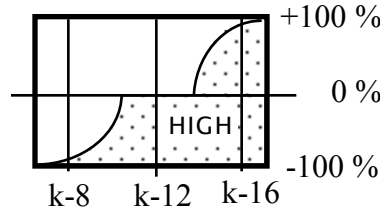


FIGURE. Membership function extended to $[-1;1]$

But we get into trouble if the membership function is extended to $[-1;+1]$. First, complementation is no more possible because the complement of membership function $\mu_A(\theta)$, which is $1 - \mu_A(\theta)$, is out of $[-1;+1]$ for example when $\mu_A(\theta)$ is negative. Secondly, set containment turns out to be rather tricky: what makes that a fuzzy set A contains a fuzzy set B ? Is it whether $\mu_A(\theta)$ is inferior to $\mu_B(\theta)$ in module or in sign?

That's why I assume that two different orderings are needed. Of course, they can't be provided by the real numbers because they are themselves ordered by their standard total order. That is, the real number theory never separate intensity ordering and sign ordering. Now we intend to replace the real unit interval by a two-ordering mathematical structure whose construction will be given in details. We know from previous works [4][7] that fuzzy sets are consistent with lattices and bilattices. One purpose of this paper is the construction of a bilattice [6] based on the natural numbers.

II. BOOLEAN NUMBERS

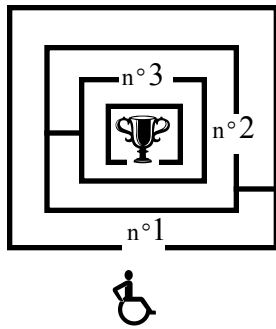
Those numbers should not be confused with boolean variables nor with boolean algebra. Our boolean numbers differ and are constructed as follows. Given a natural number n , let the pair $(0, n) = n^\circ$ denote the corresponding finite ordinal number. Here, classic arithmetic operations are not needed, only the converse ordering such that: $(0, 0) \succ (0, 1) \succ (0, 2) \succ (0, 3) \succ$ etc. The supplement of $(0, n)$ is defined by the pair $(n, 0)$ or \bar{n}° for short. Note that 0° is the supplement of itself. If we put both ordinal numbers and their supplements together by interlacing them, we

get a new set called the boolean numbers. They give rise to the following order:

$$0^\circ > 1^\circ > \bar{1}^\circ > 2^\circ > \bar{2}^\circ > \dots$$

We call grainy number any finite sequence of boolean numbers. A formal definition of those numbers and a couple of operations will be provided in Section IV.

EXAMPLE 1. $a = 1^\circ \bar{3}^\circ$ and $b = 2^\circ \bar{2}^\circ$ are grainy numbers. We see from $b = 2^\circ \bar{2}^\circ$ that a grainy number may contain supplements without any contradiction, and we want to illustrate that with the following example.



You get to the center of the maze after a sequence of three branching decisions, either to the right ($1^\circ, 2^\circ, 3^\circ$) or to the left ($\bar{1}^\circ, \bar{2}^\circ, \bar{3}^\circ$). Here the solution is determined by the following grainy number: $s = \bar{1}^\circ 2^\circ 3^\circ \bar{3}^\circ$. It means that you are successful if you turn left, then right and finally choose any left/right decision. Both sequences $d_1 = \bar{1}^\circ$ and $d_2 = \bar{1}^\circ \bar{2}^\circ$ bring no success, the former finishes incomplete and the latter with a deadlock; $d_3 = 1^\circ 2^\circ$ corresponds to an impossible situation.

EXAMPLE 2.

*3 bedroom apartment. 56m². €200k.
5th floor. separate kitchen. Park.
With walking distance from the
metro station. Fresh paint.*

*3 bedroom apartment. 100m². €700k.
4th floor. Elevator. Attended parking.
Alarm system. Park. Close to shopping
and metro.*

Comparing those two apartment, pro/con criteria with priority are set as follows: low price (1°), large apartment (2°), security (3°) and proximity (4°).

The smaller appears to be very cheap but presents no information about security. Hence it may be characterized by the grainy $s = 1^\circ \bar{2}^\circ 4^\circ$, while the larger, which is more expensive, is described by $b = \bar{1}^\circ 2^\circ 3^\circ 4^\circ$.

A grainy number may be also written with 4 digits : I, O, X and z . The digit I (resp. digit O) indicates that a given boolean number (resp. its supplement) is present in the sequence. But what differs from Shannon's thesis is that a data and its negation are allowed either to co-exist (digit X) or both to non-exist (digit z).

EXAMPLE. $a = 2^\circ \bar{4}^\circ \bar{5}^\circ 7^\circ 8^\circ \bar{8}^\circ 9^\circ$ may be written $a = zIzOOzIXI$.

III. SUPPLEMENTATION

Let $N^\#$ denote the set of all pairs $(0, n)$ of natural numbers. We define a total order on $N^\#$ such that: $(0, 0) \succ (0, 1) \succ (0, 2) \succ (0, 3)$ etc. Now consider the pairs of natural numbers that take either the form $(0, n)$ or the form $(n, 0)$. Such pairs are called *boolean numbers* and their set is denoted by $Z^\#$. Note also that $Z^\#$ includes $N^\#$, whose elements are called *dexter* boolean numbers (otherwise *sinister*). As it has been already seen, we call supplementation the mapping on $Z^\#$ such that $i = (n, m) \longrightarrow \bar{i} = (m, n)$.

EXAMPLE. $(0, 1) = 1^\circ$ and $(1, 0) = \bar{1}^\circ$ are supplements. 1° is dexter and $\bar{1}^\circ$ sinister.

Then, we define a function of i called *level* (written $\lfloor i \rfloor$) such that the level of a dexter (resp. sinister) boolean number is itself (resp. its supplement). We use it to define a total ordering on $Z^\#$: a number i is superior to j if either i is superior in level or if i is the dexter supplement of j (superior in "sign"). Thus, $0^\circ \succ 1^\circ \succ \bar{1}^\circ \succ 2^\circ \succ \bar{2}^\circ$ etc. Contrarily to standard ordinal arithmetic the order here is converse and classic operations like addition and multiplication don't exist.

$Q^\#$ denotes the set of grainy numbers. A grainy is defined as a sequence of booleans. A recursive definition follows below together with a definition of a mapping from $Q^\#$ to $Z^\#$, called *Trace*, which is needed to determine the smallest boolean of the sequence:

<DEF $x \in Q^\#$ >
 <NEXT $x = (x' \in Q^\#, Tr(x) \in Z^\#]$ AND $Tr(x') \succ Tr(x)$ >
 <END $x = 0$ AND $Tr(0) = 0^\circ$ >

EXAMPLE. $0 \in Q^\#$,
 $a = (0, 1^\circ] = 1^\circ$ is a grainy and $Tr(a) = 1^\circ$,
 $b = (a, 2^\circ] = 1^\circ 2^\circ \in Q^\#$ and $Tr(b) = 2^\circ$,
 $c = (a, \bar{1}^\circ] = 1^\circ \bar{1}^\circ \in Q^\#$ and $Tr(c) = \bar{1}^\circ$.

We also extend the supplementation operation to the elements $x \in Q^\#$ by supplementing all boolean numbers of the sequence x :

Recursively, <DEF $y = \bar{x}$ >
 <NEXT $x = (x', X]$ > $y = (\bar{x}', \bar{X}]$
 <END $x = 0$ > $y = 0$

IV. THE GRAINY BILATTICE

Conjunction. First, we define a commutative operation called *conjunction*. The conjunction of two grainy numbers x and y is a grainy number, written $x + y$, that is the mixed sequence without repeating their common booleans. For example, $1^\circ 3^\circ + 1^\circ 4^\circ$ equals $1^\circ 3^\circ 4^\circ$. Formally, conjunction is defined recursively as follows:

$$\begin{aligned}
 &\langle \text{DEF } z = x + y \text{ AND “+” is commutative} \rangle \\
 &\quad \langle \text{NEXT } x = (x', Tr(x)) \text{ AND } y = (y', Tr(y)) \rangle \\
 &\quad \quad \langle \text{IF } Tr(y) = Tr(x) \rangle \quad z = (x' + y', Tr(x)) \\
 &\quad \quad \langle \text{IF } Tr(y) \succ Tr(x) \rangle \quad z = (x' + y, Tr(x)) \\
 &\quad \langle \text{END } x = 0 \rangle \quad \quad \quad z = y
 \end{aligned}$$

Note that $Tr(x)$ and $Tr(y)$ are superior to $Tr(x + y)$ or equal. It will be proved in the published paper that conjunction is associative and idempotent. Note also that $1^\circ + \bar{1}^\circ$ equals $1^\circ \bar{1}^\circ$, or more generally that conjunction makes supplements compatible.

Correlation. $Q^\#$ is equipped with a commutative operation called *correlation*. The correlation of two grainy numbers x and y is a grainy number, written as $x \cdot y$, which is the sequence of the common booleans of numbers x, y . For example, $1^\circ \bar{2}^\circ 3^\circ \cdot 1^\circ 2^\circ 4^\circ = 1^\circ$. Another example, $1^\circ \cdot \bar{1}^\circ = 0$ shows that correlation makes supplements contradictory.

Recursively, $\langle \text{DEF } z = x \cdot y \text{ AND “\cdot” is commutative} \rangle$

$$\begin{aligned}
 &\quad \langle \text{NEXT } x = (x', Tr(x)) \text{ AND } y = (y', Tr(y)) \rangle \\
 &\quad \quad \langle \text{IF } Tr(x) = Tr(y) \rangle \quad z = (x' \cdot y', Tr(x)) \\
 &\quad \quad \langle \text{IF } Tr(x) \succ Tr(y) \rangle \quad z = x \cdot y' \\
 &\quad \langle \text{END } x = 0 \rangle \quad \quad \quad z = 0
 \end{aligned}$$

Note that $Tr(x)$ and $Tr(y)$ are inferior to $Tr(x \cdot y)$ or equal. Correlation is associative and idempotent. Both absorption laws hold: given any grainies x, y , $y \cdot (x + y) = y$ and $y + (x \cdot y) = y$. Setting $a = y \cdot (x + y)$, we prove the former identity ($a = y$). That is,

PROOF: $\langle \text{NEXT } y \cdot (x' + y) = y \text{ OR } y' \cdot (x + y') = y' \rangle$

$$\begin{aligned}
 &\quad \langle \text{IF } Tr(y) \succ Tr(x) \rangle \quad a = y \cdot (x' + y, Tr(x)) = y \cdot (x' + y) = y \\
 &\quad \langle \text{IF } Tr(y) = Tr(x) \rangle \quad a = y \cdot (x' + y) = y \\
 &\quad \langle \text{IF } Tr(x) \succ Tr(y) \rangle \quad a = y \cdot (x + y', Tr(y)) = (y' \cdot (x + y'), Tr(y)) = (y', Tr(y)) = y
 \end{aligned}$$

<END $y \cdot (0 + y) = y$ OR $0 \cdot (x + 0) = 0$ > straightforward

The properties of conjunction and correlation make $(Q^\#, +, \cdot)$ a lattice, called the p-lattice (p for precision).

Minimisation and maximisation. We define two other commutative operations called *minimisation* and *maximisation*. The minimisation (resp. maximisation) of two grainy numbers, written $x \wedge y$ (resp. $x \vee y$) is the sequence of the lowest (resp. greatest) booleans of x or y . For example $1^\circ 2^\circ \wedge \bar{1}^\circ = \bar{1}^\circ$ and $1^\circ 2^\circ \vee \bar{1}^\circ = 1^\circ 2^\circ$.

Recursively, <DEF $z = x \vee y$ AND $t = x \wedge y$ AND “ \wedge, \vee ” are commutative>

<NEXT $x = (x', Tr(x))$ AND $y = (y', Tr(y))$ >
 <IF $Tr(x) = Tr(y)$ > $z = (x' \vee y', Tr(x))$ AND $t = (x' \wedge y', Tr(x))$
 <IF $Tr(x) \succ Tr(y)$ >
 <IF $Tr(y) \succ \overline{Tr(y)}$ > $z = (x \vee y', Tr(y))$ AND $t = x \wedge y'$
 <IF $\overline{Tr(y)} \succ Tr(y)$ > $z = x \vee y'$ AND $t = (x \wedge y', Tr(y))$
 <END $x = 0$ AND $y = 0$ > $z = 0$ AND $t = 0$

We also define the sinister (resp. dexter) part of x as follows: $x^- = x \wedge 0$ (resp. $x^+ = x \vee 0$). Both operations are idempotent, associative and verify the absorption laws. Therefore $(Q^\#, \wedge, \vee)$ is lattice, called the t-lattice (t for trust).

Supplementation is a unary function that verifies:

- (1) $\overline{\bar{x}} = x$
- (2) $\overline{x \vee y} = \bar{x} \wedge \bar{y}$ and $\overline{x \wedge y} = \bar{x} \vee \bar{y}$.
- (3) $\overline{x + y} = \bar{x} + \bar{y}$ and $\overline{x \cdot y} = \bar{x} \cdot \bar{y}$.

Hence (G, \subseteq, \leq) is a bilattice.

Note that although a supplement can't be a complement, we still have $x \cdot \bar{x} = 0$ like in boolean lattices.

A first application of grainy numbers (actually the initial motivation of this work) is the mnesor theory. I recall that a mnesor space is a two-sorted structure, lattice & monoid. Here, the grainy bilattice provides two lattices, namely p-lattice (with \subseteq -ordering) and t-lattice (\leq -ordering).

V. GRAINY LOGIC.

In Zadeh's fuzzy set construction, we intend to replace the unit interval by the grainy bilattice, just like it has been done with lattices [4]. If A is an attribute (in Zadeh, "a set") and θ is an object, let $\langle A, \theta \rangle \in Q^\#$ (in Zadeh, $\mu_A(\theta) \in [0, 1]$) denote the grade by which θ is characterized by the attribute A . $\langle A, \theta \rangle$ is called value (in Zadeh, "membership function").

Precision refinement. An attribute A precisifies (in Zadeh, "contains") an attribute B iff $\langle B, \theta \rangle \subseteq \langle A, \theta \rangle$ for any object θ .

Conjunction and correlation. The conjunction (resp. correlation) of two attributes A and B is an attribute $A + B$ (resp. $A \cdot B$), whose value $\langle A + B, \theta \rangle$ equals $\langle A, \theta \rangle + \langle B, \theta \rangle$ (resp. $\langle A \cdot B, \theta \rangle = \langle A, \theta \rangle \cdot \langle B, \theta \rangle$) for any object θ .

Trust improvement. An attribute A improves an attribute B iff $\langle B, \theta \rangle \leq \langle A, \theta \rangle$ for any object θ .

Maximation and minimation. The maximation (resp. minimation) of two attributes A and B is an attribute $A \vee B$, whose value $\langle A \vee B, \theta \rangle$ equals $\langle A, \theta \rangle \vee \langle B, \theta \rangle$ (resp. $\langle A \wedge B, \theta \rangle = \langle A, \theta \rangle \wedge \langle B, \theta \rangle$) for any object θ .

Supplementation. The supplement of an attribute A is an attribute, written \bar{A} , defined by $\langle \bar{A}, \theta \rangle = \overline{\langle A, \theta \rangle}$ for any object θ .

In reference to Cantor's ordinal numbers, I call this logic 2ω -valued logic (or grainy logic).

Let i denote any dexter boolean number. If the value $\langle A, \theta \rangle$ equals either 0 for any object θ , or $(0, i]$ for any θ , or $(0, \bar{i}]$ for any θ or $((0, i], \bar{i}]$ for any θ , then the attribute is said to be *atomic*.

Note also that $(0, \bar{i}] \leq ((0, i], \bar{i}] \leq (0, i]$ and $(0, \bar{i}] \leq 0 \leq (0, i]$. Both orderings (trust and precision) may be illustrated graphically,

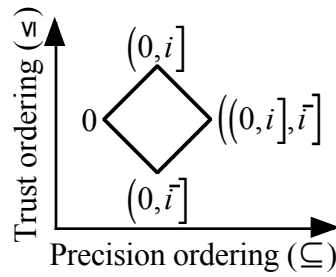
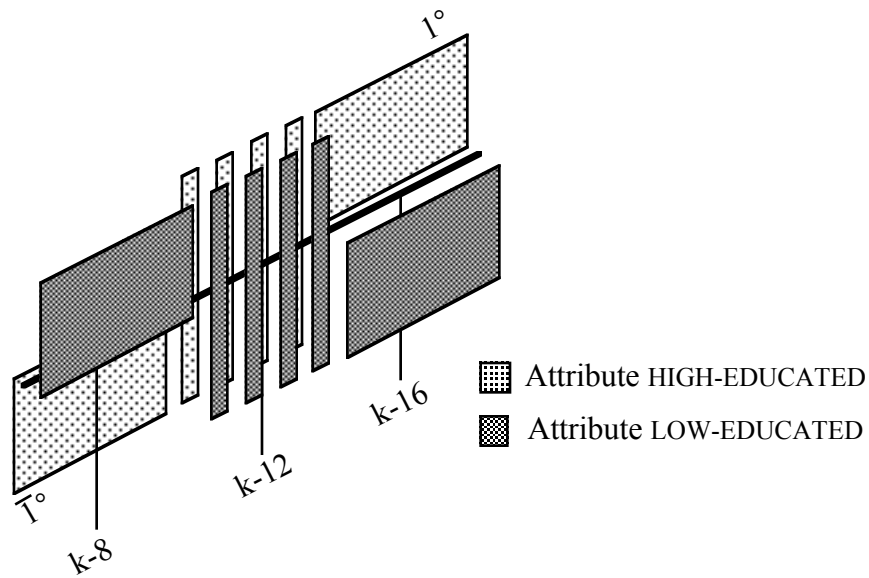


FIGURE. Four atomic values

EXAMPLE. The attributes are HIGH-EDUCATED and LOW-EDUCATED.



| $\langle A, \theta \rangle$ | $\theta = k-8$ | $\theta = k-12$ | $\theta = k-16$ |
|------------------------------|-----------------|-------------------------|-----------------|
| $A = \text{HIGH - EDUCATED}$ | $\bar{1}^\circ$ | $1^\circ \bar{1}^\circ$ | 1° |
| $A = \text{LOW_EDUCATED}$ | 1° | $1^\circ \bar{1}^\circ$ | $\bar{1}^\circ$ |

FIGURE. values of HIGH-EDUCATED vs. LOW EDUCATED

Hence, $\overline{\text{HIGH - EDUCATED}} = \text{LOW - EDUCATED}$

and $\text{LOW - EDUCATED} \cdot \text{HIGH - EDUCATED} = 0$

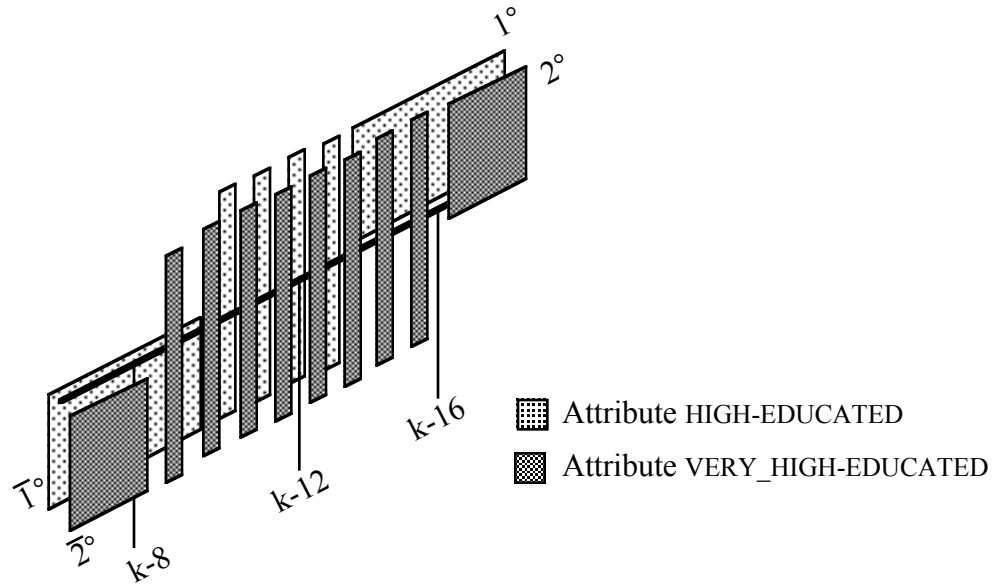
Defining the attribute SCHOOL (resp. NO_SCHOOL) by $\langle \text{SCHOOL}, \theta \rangle = 1^\circ$ (resp.

$\langle \text{NO_SCHOOL}, \theta \rangle = \bar{1}^\circ$) for all object θ , we also get two inequalities:

$\text{NO_SCHOOL} \leq \text{HIGH - EDUCATION} \leq \text{SCHOOL}$ and

$\text{NO_SCHOOL} \leq \text{LOW - EDUCATION} \leq \text{SCHOOL}$

EXAMPLE. The attributes are HIGH-EDUCATED and VERY_HIGH-EDUCATED



| $\langle A, \theta \rangle$ | $\theta = k-8$ | $\theta = k-12$ | $\theta = k-16$ |
|------------------------------------|-----------------|-------------------------|-----------------|
| $A = \text{HIGH - EDUCATED}$ | $\bar{1}^\circ$ | $1^\circ \bar{1}^\circ$ | 1° |
| $A = \text{VERY_HIGH - EDUCATED}$ | $\bar{2}^\circ$ | $2^\circ \bar{2}^\circ$ | 2° |

FIGURE. Values of HIGH-EDUCATED vs. VERY_HIGH-EDUCATED

$B = \text{VERY_HIGH - EDUCATED} \cup \text{HIGH - EDUCATED}$ is the more precise attribute. That is, it is able to separate $k-8$, $k-10$, $k-12$, $k-14$ and $k-16$ by different values (see below),

| θ | $k-8$ | $k-10$ | $k-12$ | $k-14$ | $k-16$ |
|-----------------------------|-------------------------------|---------------------------------------|---|---------------------------------|-------------------|
| $\langle B, \theta \rangle$ | $\bar{1}^\circ \bar{2}^\circ$ | $\bar{1}^\circ 2^\circ \bar{2}^\circ$ | $1^\circ \bar{1}^\circ 2^\circ \bar{2}^\circ$ | $1^\circ 2^\circ \bar{2}^\circ$ | $1^\circ 2^\circ$ |

FIGURE. Values of $\text{HIGH - EDUCATED} \cup \text{VERY_HIGH - EDUCATED}$

REFERENCES

1. ANTON J. P. (1957), *Aristotle's Theory of Contrariety*
2. BOOLE G. (1854), *The Laws of Thought*
3. ZADEH L. (1965), *Fuzzy Sets*
4. GOGUEN J. (1967), *L-fuzzy sets*
6. GINSBERG M. (1988), *Multivalued logics: A uniform approach to reasoning in artificial intelligence*
7. ESTEVA F., GARCIA P. and GODO L. (1994), *Enriched Interval Bilattices and Partial many-valued Logic: an Approach to Deal with Graded Truth and Imprecision*