

Functional ISS-Driven Verification of Superscalar RISC-V Processors

Andrea Galimberti
DEIB

Politecnico di Milano
Milano, Italy

andrea.galimberti@polimi.it

Marco Vitali
DEIB

Politecnico di Milano
Milano, Italy

marco9.vitali@mail.polimi.it

Sebastiano Vittoria
DEIB

Politecnico di Milano
Milano, Italy

sebastiano.vittoria@mail.polimi.it

Davide Zoni
DEIB

Politecnico di Milano
Milano, Italy

davide.zoni@polimi.it

Abstract—A time-efficient and comprehensive verification is a fundamental part of the design process for modern computing platforms, and it becomes ever more important and critical to optimize as the latter get ever more complex. *SuperFIVE* is a methodology for the functional verification of superscalar processors that leverages an instruction set simulator to validate their correctness according to a simulation-based approach, interfacing a testbench for the design under test with the instruction set simulator by means of socket communication. We demonstrate the effectiveness of the *SuperFIVE* methodology by applying it to verify the functional correctness of a RISC-V dual-issue superscalar CPU, leveraging the state-of-the-art RISC-V instruction set simulator *Spike* and executing a set of benchmark applications from the open literature.

Index Terms—central processing unit, superscalar architecture, instruction set simulator, hardware verification, functional verification, RISC-V, field programmable gate array

I. INTRODUCTION

The emergence of increasingly more computationally intensive applications in the last decades has led to reinvigorated research in the field of computer architecture, with the goal of designing computing platforms that provided better performance [1] and higher energy and power efficiency [2]. To this end, superscalar architectures enable exploiting instruction-level parallelism by issuing multiple instructions per clock cycle and executing them on their various functional units, thus improving the throughput of the CPU cores.

At the same time, RISC-V has emerged as the de-facto standard instruction set architecture (ISA) for both academic and industrial research thanks to its open-source and royalty-free nature, as well as to its modular architecture that makes it easily extendable by system designers according to their specific requirements. The open literature provides a variety of RISC-V cores, ranging from scalar in-order 32-bit resource-constrained processors [3], [4] up to higher-performance 64-bit superscalar in-order [5] and speculative out-of-order ones [6].

While processors evolve towards more complex architectures such as superscalar ones to deal with novel workloads and time-to-market deadlines get increasingly tighter, the functional verification of their hardware design surges to an ever more prominent role in identifying errors time-efficiently and as early as possible in their design and manufacturing process. The methodologies for hardware design verification from the

open literature include simulation-based and formal verification approaches. However, on the one hand, solutions for the verification of RISC-V architectures are not meant for superscalar processors: *RISC-V Formal Verification Framework* [7] is a framework for the formal verification of RISC-V processors that is limited to the integer extensions of the RISC-V ISA, supporting indeed solely the RV32IMC and RV64IMC architectures, [8] targets RISC-V vector processors, and [9] proposes a verification methodology that combines the formal verification of [7] and the simulation of the processor under test, with input programs obtained by a genetic algorithm and a functional ISA simulator as the golden model, and that is only applied to a single-issue, in-order, 3-stage scalar core. On the other hand, the various existing simulation-based [10] and formal [11] verification approaches meant for superscalar processors target instead older architectures rather than RISC-V.

This manuscript proposes therefore a novel methodology for the functional verification of RISC-V superscalar processors that leverages a fast instruction set simulator (ISS) to check the correctness of the design under test (DUT). Notably, cycle-accurate simulators such as *gem5* would instead be too slow for such purposes, whereas the open literature delivers multiple ISS solutions for the RISC-V ISA [12], [13].

Contributions: This paper introduces a novel methodology for functional design verification, *SuperFIVE* (*Superscalar RISC-V Functional ISS-driven Verification*), outlining two main contributions to the literature:

- 1) *SuperFIVE* leverages an ISS to validate the correctness of a superscalar processor in a time-efficient and comprehensive way by interfacing, through socket communication, the ISS with a testbench written in a hardware verification language (HVL);
- 2) we evaluate the effectiveness of the *SuperFIVE* methodology, applying it to a SystemVerilog RISC-V dual-issue superscalar CPU, by employing the de-facto standard RISC-V ISS *Spike* [12] and executing a set of applications from a state-of-the-art benchmark suite [14] to carry out the functional verification as well as collect performance statistics related to the superscalar nature of the CPU design under verification.

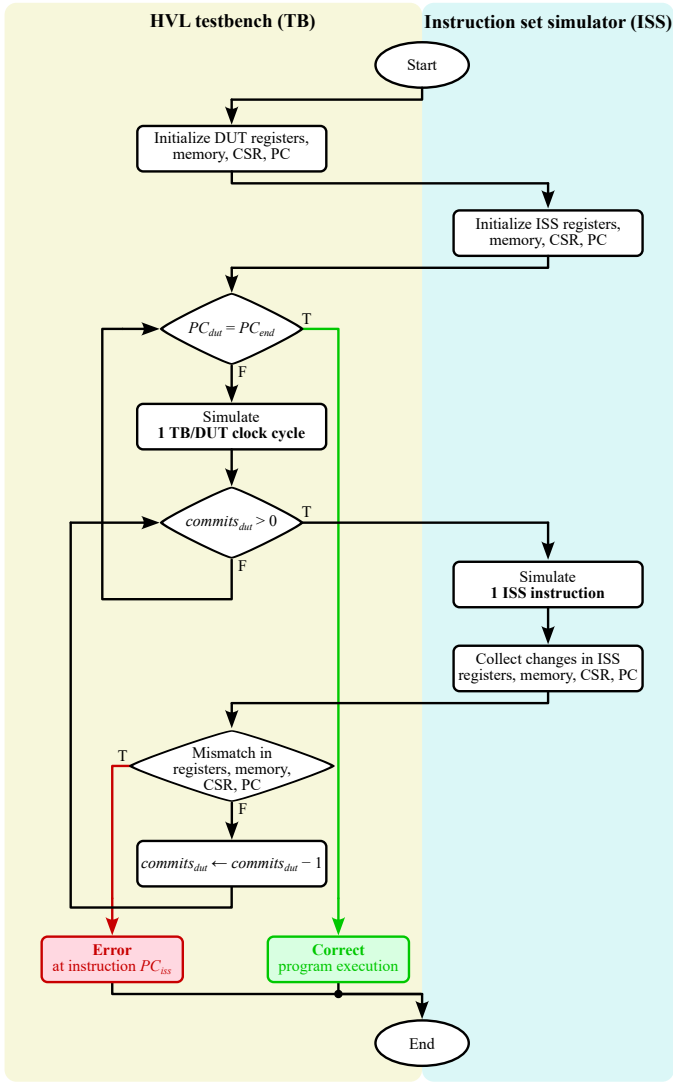


Fig. 1: Flowchart of the *SuperFIVE* methodology.

II. SUPERFIVE METHODOLOGY

The proposed methodology performs the functional verification of a superscalar processor (and, by extension, also of a scalar one) by employing an ISS that supports the same ISA as the processor under test. A socket-based communication enables interfacing and synchronizing the ISS and an HVL testbench including the DUT processor, so that the ISS and the DUT can compute the same instructions from a target executable application in a lockstep fashion in order to ease checking the results of instructions as they get executed during the simulation.

Fig. 1 depicts the flow of the *SuperFIVE* methodology, showing how the simulation of a target application’s execution is carried out in a synchronized manner in the instruction set simulator and in the superscalar processor under verification to verify the functional correctness of the latter.

Interleaving the simulation of the superscalar CPU under verification with the execution of single instructions on the

ISS side allows immediately identifying errors in the DUT without executing the whole workload and causes only a small overhead compared to a HVL testbench simulation that does not interact with the ISS, in particular when moving from faster behavioral RTL simulations to more computationally expensive post-synthesis and post-implementation ones, in which the contribution of the ISS becomes negligible from an execution time standpoint. Conversely, the adoption of an architectural simulator such as *gem5* rather than an ISS, i.e., a functional ISA simulator, would instead drastically lengthen the verification time due to the cycle-level nature of such simulators, albeit not providing any advantage with respect to the functional verification of the target computing platform.

SuperFIVE verification flow: The HVL testbench (TB) instantiates the DUT superscalar CPU and the main memory, loads the executable file for the target application in the instruction memory, and monitors the CPU registers and the associated memory during the execution of the application. The same executable file is fed to the DUT, through the instruction memory, and to the ISS, so that they execute the exact same application, enabling the continuous comparison between the content of the CPU registers and memory in the TB and in the ISS to verify the correct implementation of the target superscalar CPU. The TB and the ISS communicate through a socket-based connection, enabling their synchronization and the exchange of data related to the instructions’ results and the content of the memory and registers, including the program counter (PC) and the control and status registers (CSRs). An example of the verification infrastructure implementing the *SuperFIVE* methodology is depicted in Fig. 2.

The process, depicted in Fig. 1, to verify the correctness of the execution of a single application on the target superscalar CPU involves, as the first step, starting the simulation of the TB and the execution of the ISS, opening sockets on both sides, and waiting until a socket communication is established.

On the TB side, a clock-cycle counter is reset to 0, the program counter of the CPU (PC_{dut}) is initialized to its starting value, and the content of CPU registers and memory are also reset, while on the ISS side the registers, memory, and PC value (PC_{iss}) are correspondingly initialized.

The simulation of the testbench is carried out by checking, at each clock cycle, whether one or more instructions have committed their results or not, until the end of the executable file. If no commits were performed in the TB simulation during the current clock cycle, then the next clock cycle is simulated. Otherwise, if one or more instructions have committed their results, the ISS execution is advanced by a number of instructions that corresponds to the number of commits on the TB side. The result and the corresponding register or memory address of each instruction executed on the ISS side are sent to the TB through the socket, and the TB accordingly checks that its DUT register file and memory match the ISS ones. Once a number of instructions have been executed on the ISS that is equal to the number of concurrent commits in the DUT, the TB simulation is finally restarted with the execution of the next clock cycle.

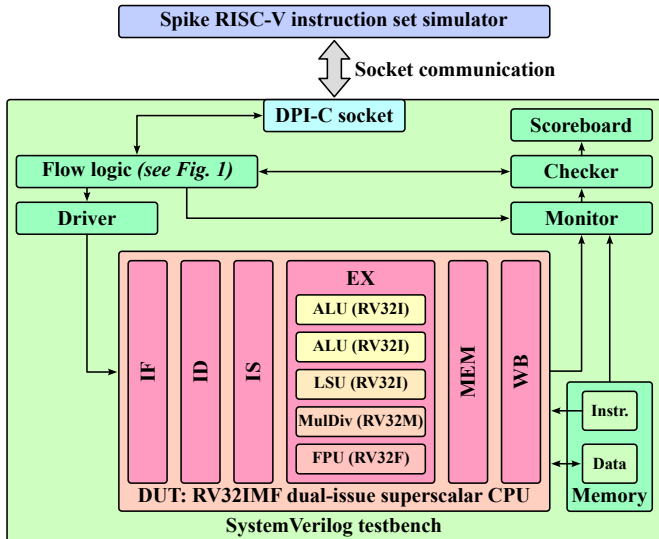


Fig. 2: Verification infrastructure that implements the proposed *SuperFIVE* methodology for experimental evaluation purposes.

Mismatches in the PC values, CSRs, or in the register and memory contents are signaled as errors and interrupt the verification process, providing its user with informations related to the TB clock cycle, TB and ISS PC values, and non-matching register or memory locations. Conversely, if the application is executed correctly until its completion, a set of statistics related to the instruction coverage and performance statistics, e.g., execution time, CPI, and percentage of multiple commits, is output by the verification framework.

III. EXPERIMENTAL RESULTS

The proposed *SuperFIVE* methodology is evaluated by applying it to a 32-bit RISC-V superscalar dual-issue CPU and employing *Spike* as the ISS that drives its verification in a SystemVerilog testbench run in the *AMD xsim* RTL simulator.

A. Experimental setup

Design under test and hardware setup: The experimental evaluation targets, as the superscalar processor on which to conduct the verification process, a dual-issue superscalar CPU, described in SystemVerilog, that implements a RV32IMF architecture, i.e., that supports the baseline integer (I), integer multiplication and division (M), and single-precision floating-point (F) extensions of the 32-bit RISC-V ISA.

The CPU has a pipelined architecture with six stages, namely instruction fetch, instruction decode, issue, execution, memory access, and write-back stages. It features a 64-entry reorder buffer to commit up to two instruction results at a time and a 16-entry issue queue to feed instructions and their operands to its functional units, which include two arithmetic logic unit(s) (ALUs), a pipelined multiplication-division unit, a load-store unit (LSU), and a pipelined single-precision floating-point unit.

Synthesis and implementation of the CPU were carried out in *AMD Vivado 2023.1*, using the default synthesis and place-and-route optimization directives and targeting an *AMD Artix-7*

TABLE I: Number of executed instructions, execution time in terms of clock cycles and microseconds (μ s), and verification outcome for the execution of *Mälardalen WCET* applications on the target superscalar CPU.

Application	Instructions	Execution time		Correctness
		Cycles	μ s	
<i>bsort100</i>	1237	5699	74.09	OK
<i>cnt</i>	2006	7975	103.68	OK
<i>crc</i>	21186	65796	855.35	OK
<i>fac</i>	124	538	6.99	OK
<i>fdct</i>	1363	2438	31.69	OK
<i>janne_complex</i>	77	487	6.33	OK
<i>jfdctint</i>	1748	3761	48.89	OK
<i>lcdnum</i>	101	379	4.93	OK
<i>matmult</i>	12156	43330	563.29	OK
<i>prime</i>	1754	14303	185.94	OK
<i>select</i>	845	2505	32.57	OK

75 (*xc7a75tftg256-1*) FPGA at a 77MHz clock frequency. The target chip, from the mid-range cost-effective family of *AMD* FPGAs and which is commonly used both in the academia and in the industry, features 47200 look-up tables, 94400 flip-flops, 180 digital signal processing elements, and 105 36kb blocks of block RAM.

Software setup: We employ version 1.1.0 of *Spike* [12] as the RISC-V ISS and we implement a verification infrastructure according to the *SuperFIVE* methodology by interfacing the SystemVerilog testbench for the CPU design under test with *Spike* and having them communicate through sockets that leverage, on the testbench side, SystemVerilog’s native DPI-C support. The verification flow makes use of the *xsim* simulator included in *AMD Vivado ML 2023.1* and executes both the latter and *Spike* on a server featuring an *Intel Xeon E5-2430* CPU and 64GiB of memory and running the *Ubuntu 22.04.4 LTS* operating system. The validation and evaluation of the CPU was carried out by executing a set of applications from the *Mälardalen WCET* benchmark suite [14], compiled by using the RISC-V GNU compiler toolchain. The testbench, as depicted in Fig. 2, instantiates the CPU under test as well as instruction and data memories. Verification logic implementing the flow outlined in Fig. 1 manages and coordinates the ISS, through the DPI-C socket, and the various testbench components, which drive the inputs to the DUT, monitor the DUT and data memory, and check their changes against the results obtained by the ISS. A scoreboard collects coverage metrics and statistics.

B. Experimental results

We evaluate the *SuperFIVE* methodology outlined in Section II by applying it to the dual-issue superscalar CPU described in Section III-A and executing workloads from the *Mälardalen WCET* benchmark suite that stress the various parts of the CPU under test by including integer and floating-point arithmetic, variable-bound loops and loop-iteration-dependent conditions, nested loops and function calls, and computations on array and matrices.

The functional verification for each of the 11 benchmark applications shows a correct execution on the CPU under

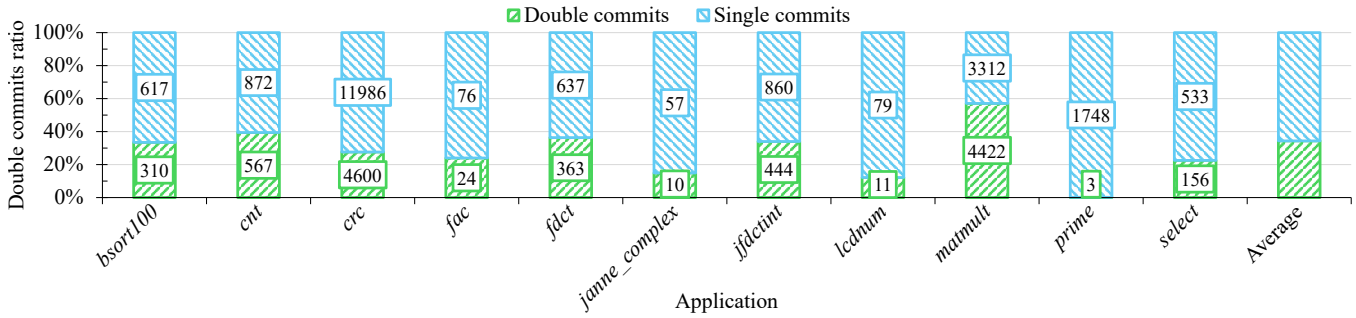


Fig. 3: Fraction of double commits when executing the *Mälardalen WCET* applications in TABLE I on the target superscalar CPU. Labels inside the stacked columns refer to the number of double and single commits.

test and delivers an additional set of performance-related statistics that enable a quick evaluation of how the superscalar architecture performs with the considered workloads. For instance, TABLE I lists the number of instructions, execution time in terms of clock cycles and microseconds, and result of the correctness check, for the sake of brevity, of a select subset of 11 *Mälardalen WCET* benchmark applications.

In particular, the ability to monitor the number of concurrent commits in the CPU under test provides a measure of the effectiveness of implementing a superscalar architecture under workloads that show a significant instruction-level parallelism. Fig. 3 depicts the fraction of double commits for the execution of each application previously listed in TABLE I, with a 34% average of double commits. For example, executing *matmult* on the CPU under test results in 4422 double and 3312 single commits, i.e., 57% of double commits, over a total of 12156 committed instructions. The instruction-level parallelism of applications such as *matmult*, which performs the matrix multiplication between two 20×20 matrices with nested function calls and triple-nested loops, is indeed effectively exploitable by the superscalar CPU under test.

IV. CONCLUSIONS

This manuscript introduced the *SuperFIVE* methodology, that tackles the problem of performing the functional verification of superscalar processors in a comprehensive and time-efficient way by following a simulation-based approach. In order to do so, it leverages an ISS and interfaces it through socket communication with the testbench including the DUT.

In our experimental evaluation, we applied the proposed methodology to a RISC-V 32-bit RV32IMF dual-issue superscalar core, using *Spike* as the ISS for RISC-V and executing *Mälardalen WCET* benchmark applications. The experiments allowed us verifying the correctness of the processor under test, and the results listed in manuscript provide an overview of the statistics, also related to the superscalar nature of the CPU, that can be collected during its verification.

REFERENCES

[1] W. Fornaciari, G. Agosta, D. Cattaneo, L. Denisov, A. Galimberti, G. Magnani, and D. Zoni, “Hardware and software support for mixed

precision computing: a roadmap for embedded and hpc systems,” in *2023 Design, Automation & Test in Europe Conference & Exhibition (DATE)*, 2023, pp. 1–6.

[2] D. Zoni, A. Galimberti, and W. Fornaciari, “A survey on run-time power monitors at the edge,” *ACM Comput. Surv.*, vol. 55, no. 14s, Jul 2023. [Online]. Available: <https://doi.org/10.1145/3593044>

[3] —, “An fpu design template to optimize the accuracy-efficiency-area trade-off,” *Sustainable Computing: Informatics and Systems*, vol. 29, p. 100450, 2021. [Online]. Available: <https://www.sciencedirect.com/science/article/pii/S2210537920301761>

[4] D. Zoni and A. Galimberti, “Cost-effective fixed-point hardware support for risc-v embedded systems,” *Journal of Systems Architecture*, vol. 126, p. 102476, 2022. [Online]. Available: <https://www.sciencedirect.com/science/article/pii/S1383762122000595>

[5] J. Andersson, “Development of a noel-v risc-v soc targeting space applications,” in *2020 50th Annual IEEE/IFIP International Conference on Dependable Systems and Networks Workshops (DSN-W)*, 2020, pp. 66–67.

[6] J. Zhao, B. Korpan, A. Gonzalez, and K. Asanovic, “SonicBOOM: The 3rd generation Berkeley out-of-order machine,” in *Fourth Workshop on Computer Architecture Research with RISC-V*, vol. 5, 2020, pp. 1–7.

[7] Symbiotic EDA, “RISC-V formal verification framework” 2017. [Online]. Available: <https://github.com/SymbioticEDA/riscv-formal>

[8] V. Jimenez, M. Rodriguez, M. Dominguez, J. Sans, I. Diaz, L. Valente, V. L. Guglielmi, J. V. Quiroga, R. I. Genovese, N. Sonmez, O. Palomar, and M. Moreto, “Functional verification of a risc-v vector accelerator,” *IEEE Design & Test*, vol. 40, no. 3, pp. 36–44, 2023.

[9] C. Duran, H. Morales, C. Rojas, A. Ruospo, E. Sanchez, and E. Roa, “Simulation and formal: The best of both domains for instruction set verification of RISC-V based processors,” in *2020 IEEE International Symposium on Circuits and Systems (ISCAS)*, 2020, pp. 1–4.

[10] S. Taylor, M. Quinn, D. Brown, N. Dohm, S. Hildebrandt, J. Huggins, and C. Famey, “Functional verification of a multiple-issue, out-of-order, superscalar alpha processor-the dec alpha 21264 microprocessor,” in *Proceedings of the 35th Design Automation Conference*, 1998, pp. 638–643.

[11] K. Nelson, A. Jain, and R. Bryant, “Formal verification of a superscalar execution unit,” in *Proceedings of the 34th Design Automation Conference*, 1997, pp. 161–166.

[12] RISC-V Software, “Spike RISC-V ISA simulator,” 2011. [Online]. Available: <https://github.com/riscv-software-src/riscv-isa-sim>

[13] M. B. Petersen, “Ripes: A visual computer architecture simulator,” in *2021 ACM/IEEE Workshop on Computer Architecture Education (WCAE)*. IEEE, 2021, pp. 1–8.

[14] J. Gustafsson, A. Betts, A. Ermedahl, and B. Lisper, “The Mälardalen WCET Benchmarks: Past, Present And Future,” in *10th International Workshop on Worst-Case Execution Time Analysis (WCET 2010)*, ser. Open Access Series in Informatics (OASISs), B. Lisper, Ed., vol. 15. Dagstuhl, Germany: Schloss Dagstuhl – Leibniz-Zentrum für Informatik, 2010, pp. 136–146. [Online]. Available: <https://drops-dev.dagstuhl.de/entities/document/10.4230/OASISs.WCET.2010.136>