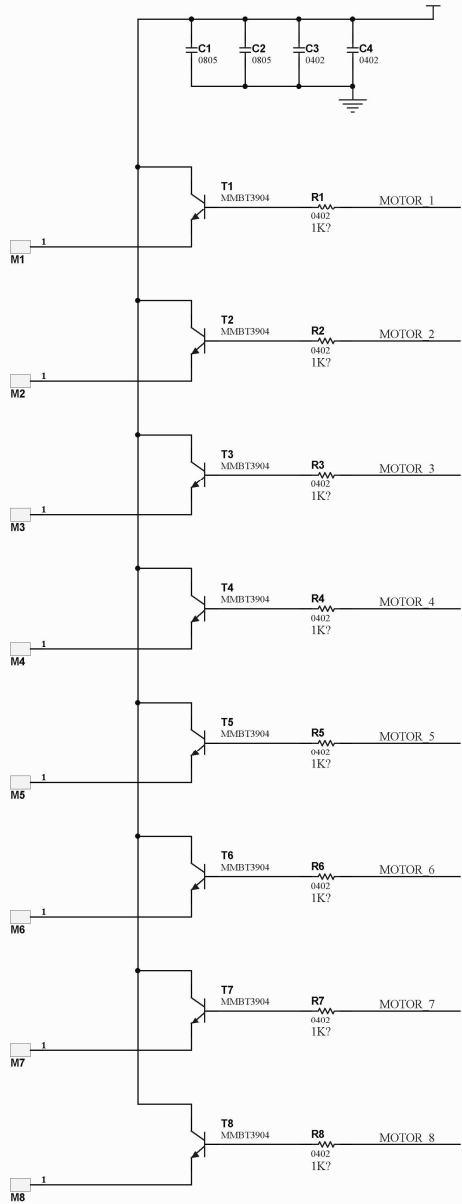
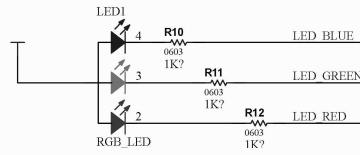
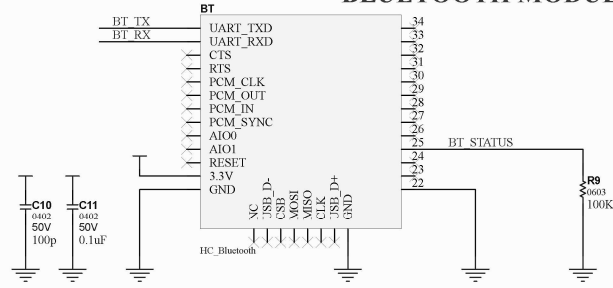


MOTORS COMMAND

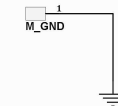


BLUETOOTH MODULE



RGB LED

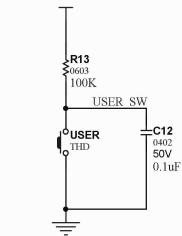
MOTORS CONNECTOR



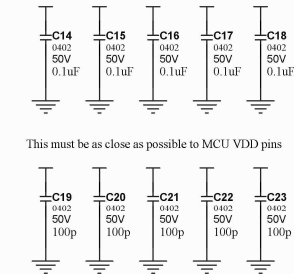
BATTERY CONNECTOR



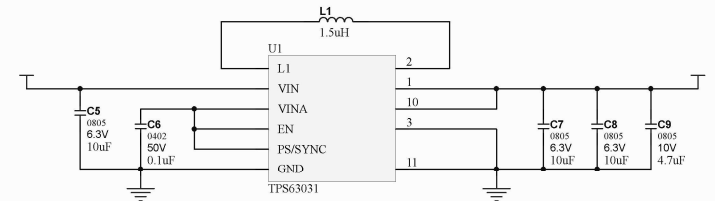
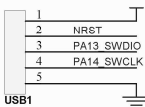
USER SWITCH



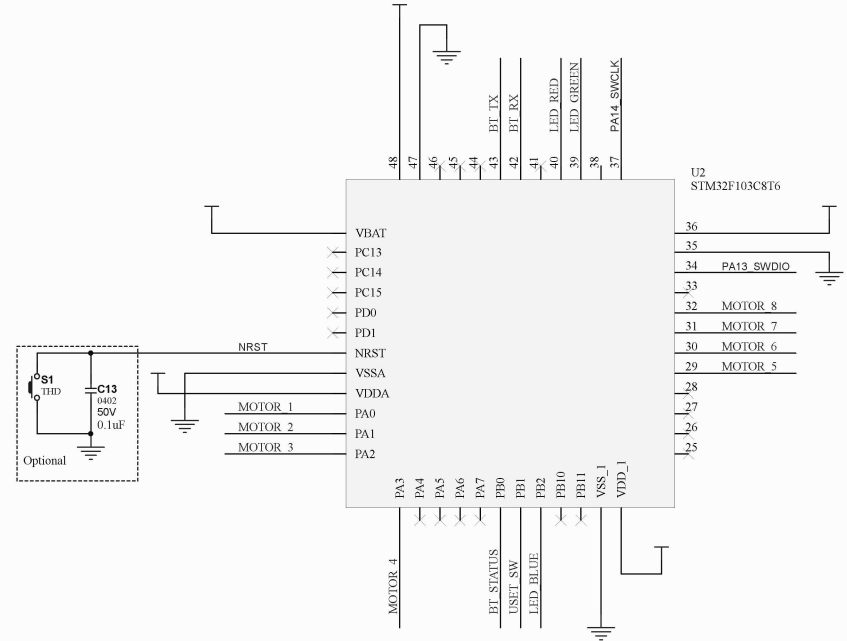
FILTER CAPACITORS



USB CONNECTOR



BUCK-BOOST CONVERTER MICROCONTROLLER



Title		
Size	Number	Revision
A3		
Date:	03/04/2020	Sheet of
File:	C:\Users\...haptic_wearable.SchDoc	Drawn By: