

APOLLO LOGISTICS TRAINING



APOLLO

GUIDANCE  
AND  
NAVIGATION  
SYSTEM

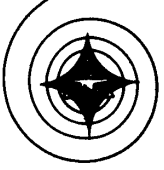
REVISED JULY 1, 1965



NORTH AMERICAN AVIATION, INC.  
SPACE AND INFORMATION SYSTEMS DIVISION

FORM M 158-D-9 NEW 2-65

APOLLO LOGISTICS TRAINING



**APOLLO**


---

**GUIDANCE  
AND  
NAVIGATION  
SYSTEM**

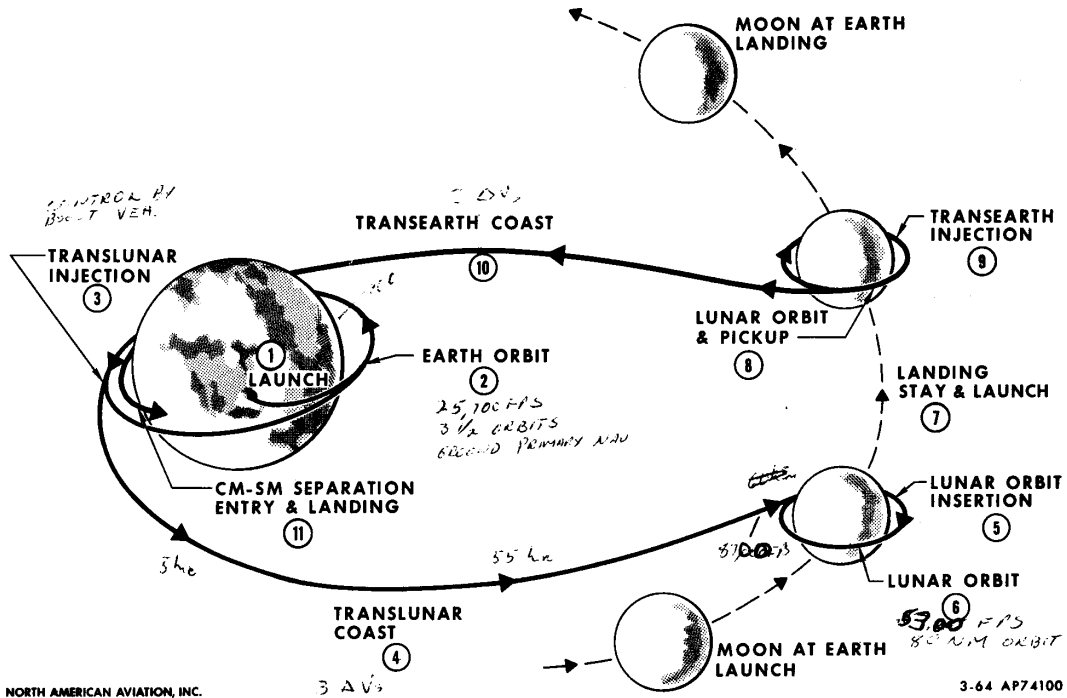
REVISED JULY 1, 1965



NORTH AMERICAN AVIATION, INC.  
SPACE and INFORMATION SYSTEMS DIVISION

GN-0000 

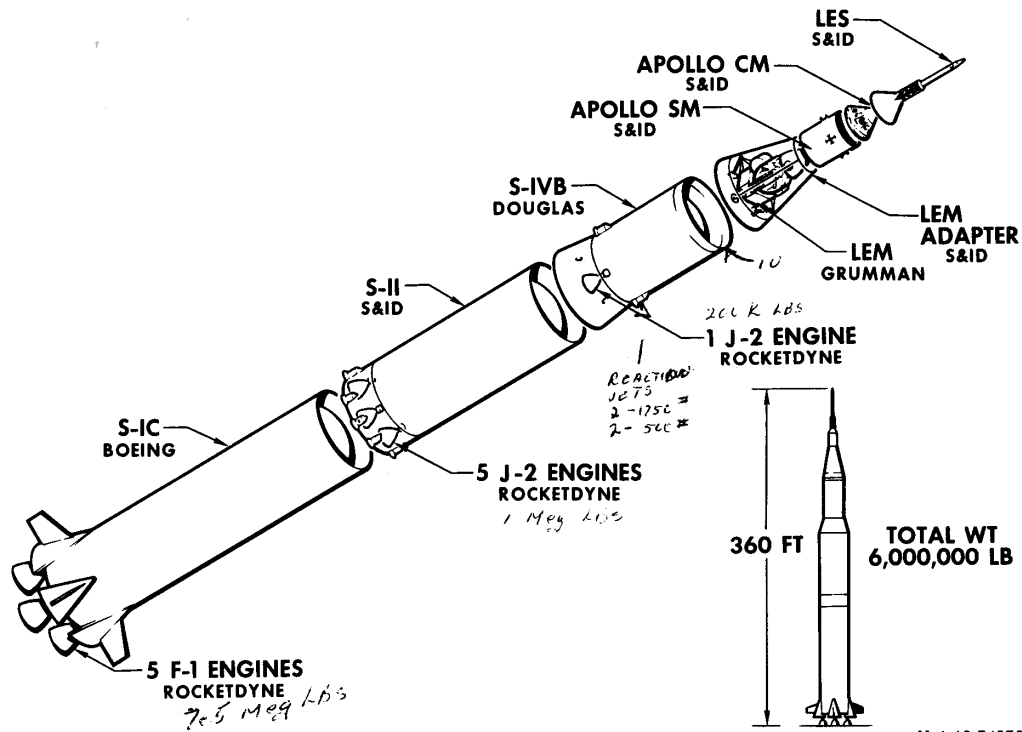
# MISSION PLAN - LUNAR ORBITAL RENDEZVOUS MODE



NORTH AMERICAN AVIATION, INC.  
SPACE AND INFORMATION SYSTEMS DIVISION

3-64 AP74100

# SATURN V

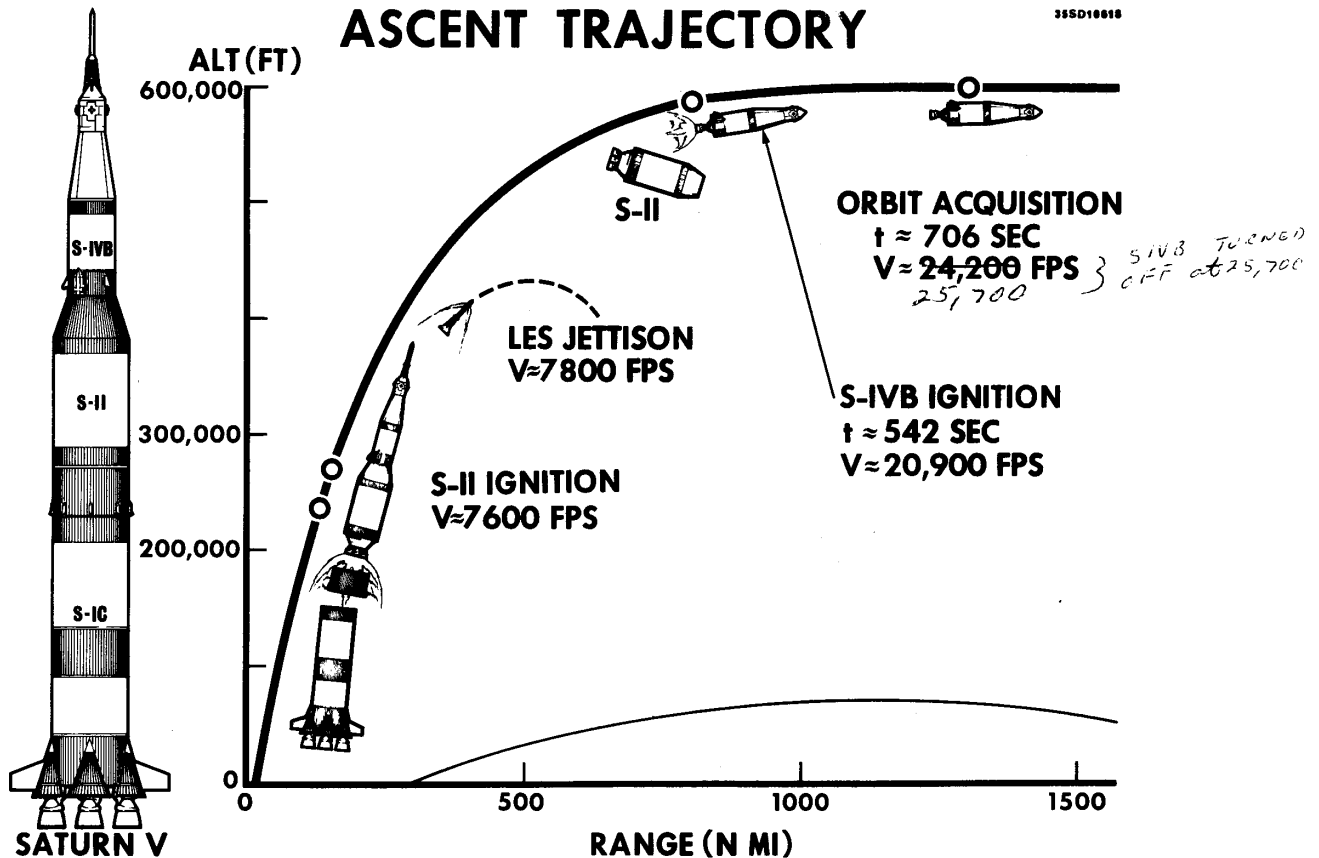


NORTH AMERICAN AVIATION, INC.  
 SPACE AND INFORMATION SYSTEMS DIVISION

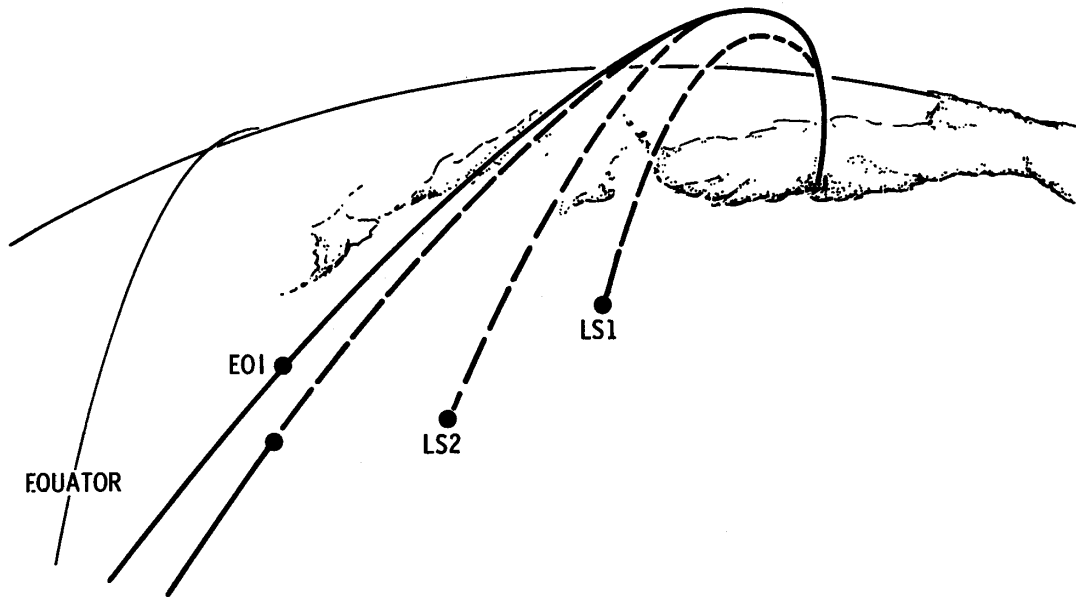
11-4 AP 74372A


## ASCENT TRAJECTORY

35SD10818

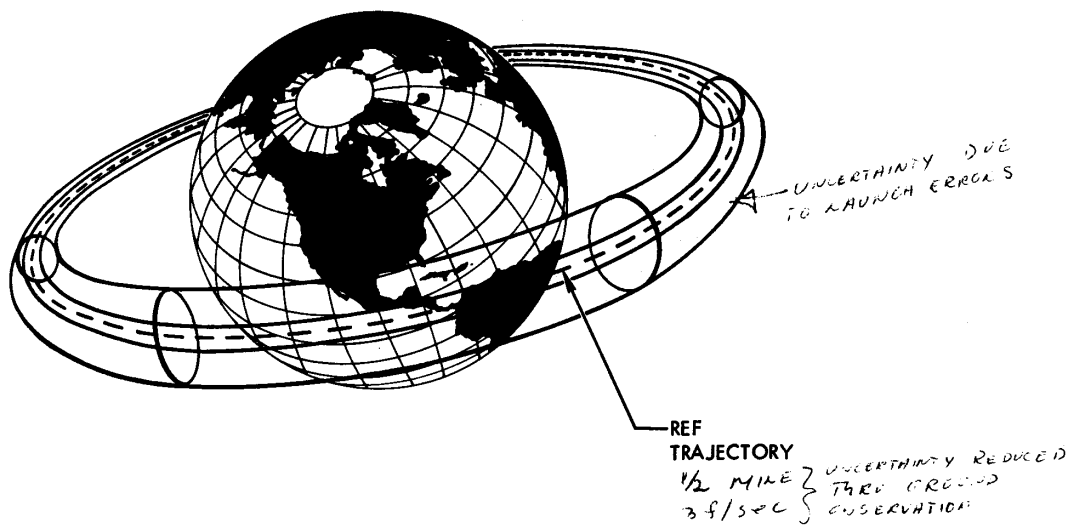



# ASCENT PHASE



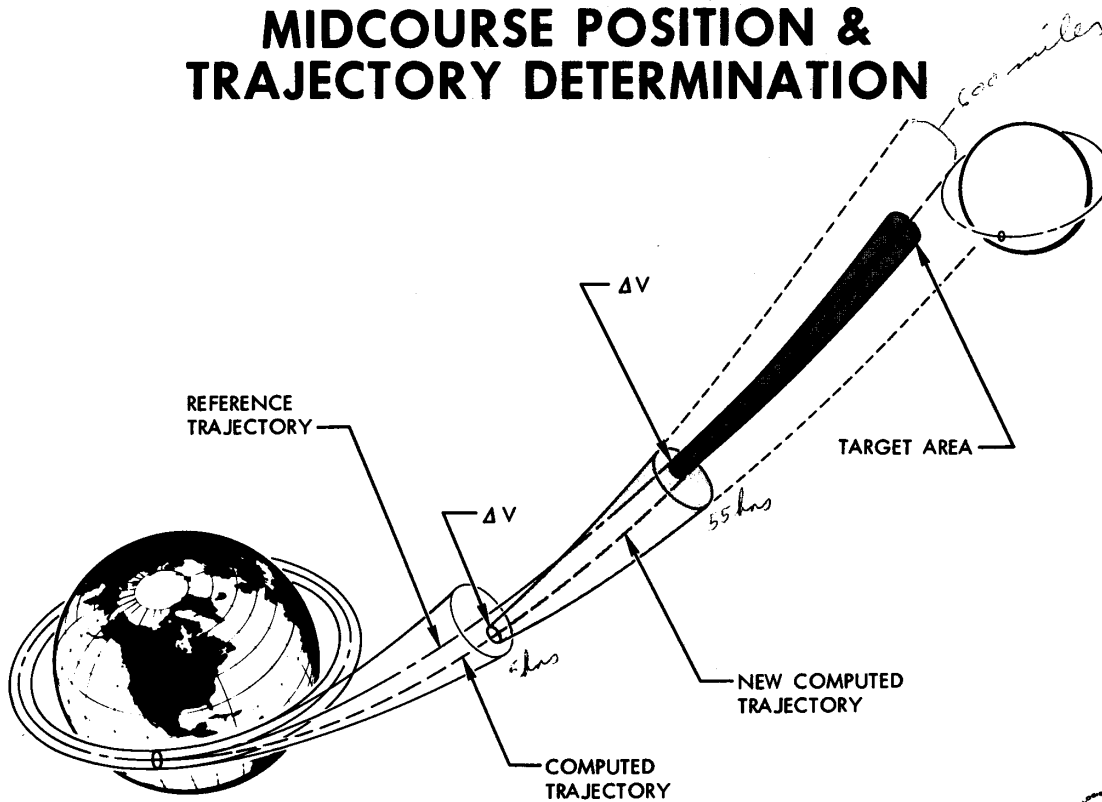
GN-211 


# EARTH ORBIT POSITION & TRAJECTORY DETERMINATION



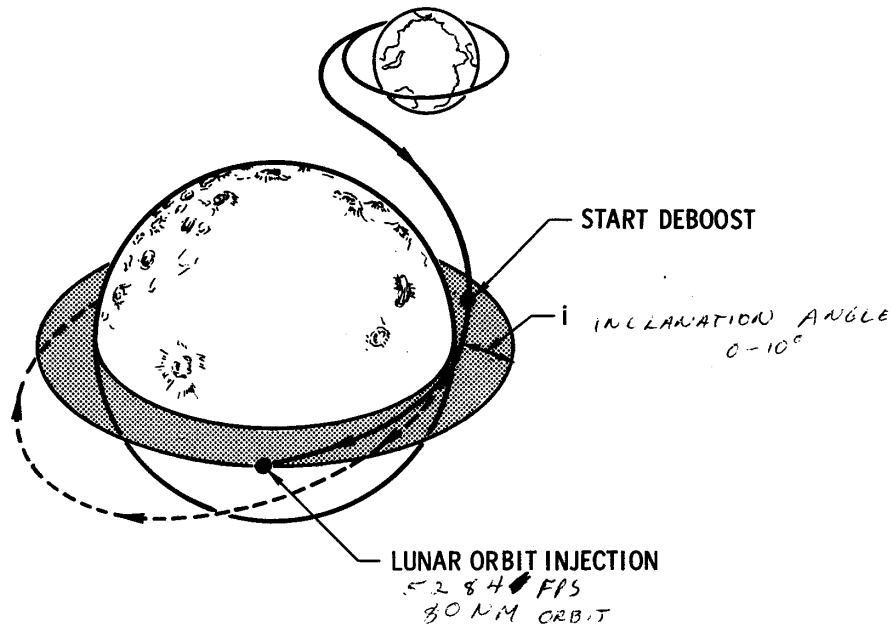
GN-180 

# MIDCOURSE POSITION & TRAJECTORY DETERMINATION



GN-182 

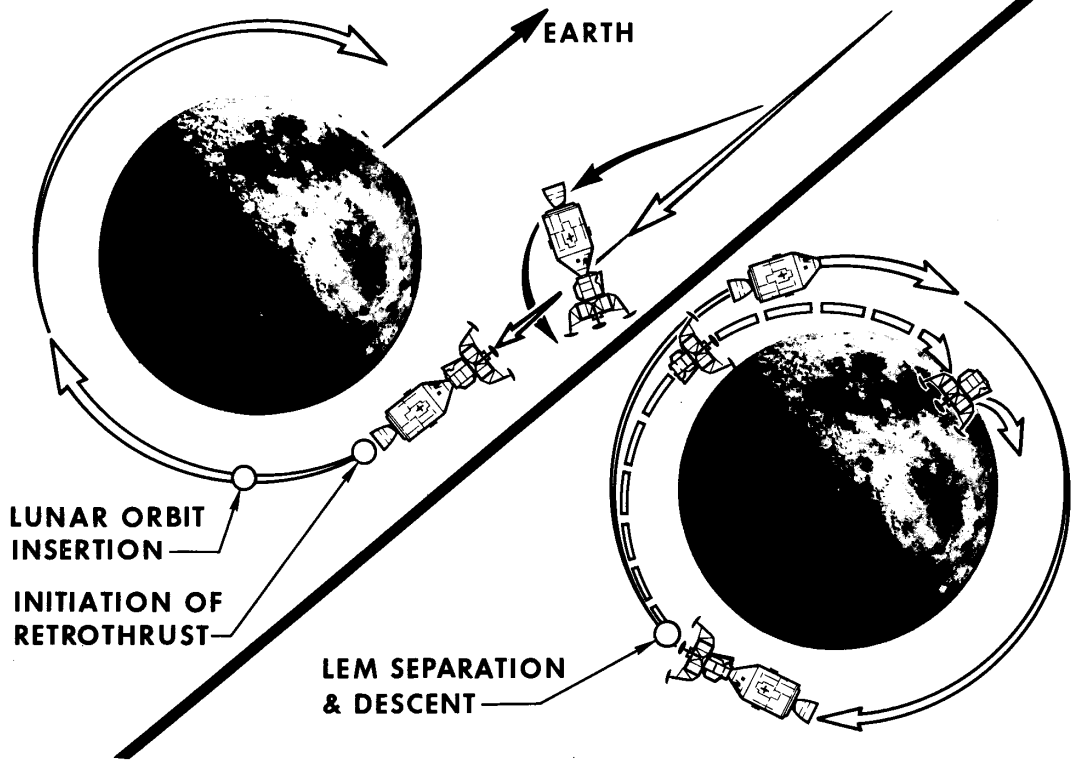
# LUNAR ORBIT INJECTION



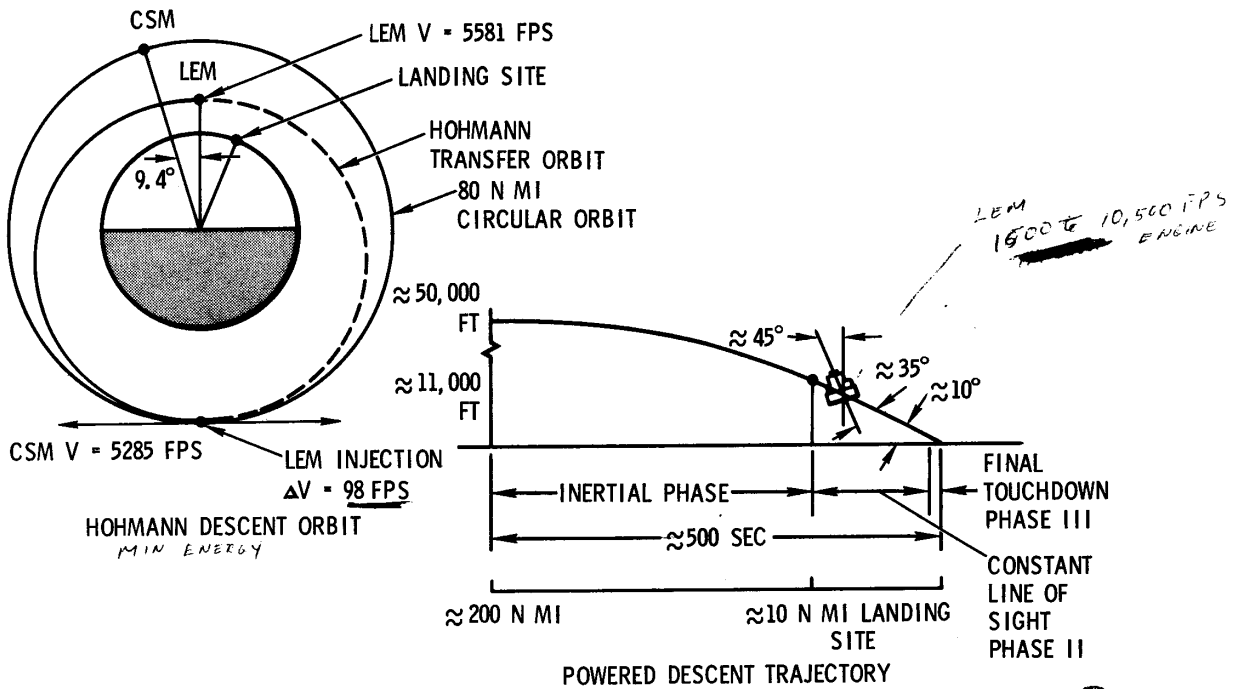
GN-206A 

# LUNAR ORBIT & LEM DESCENT

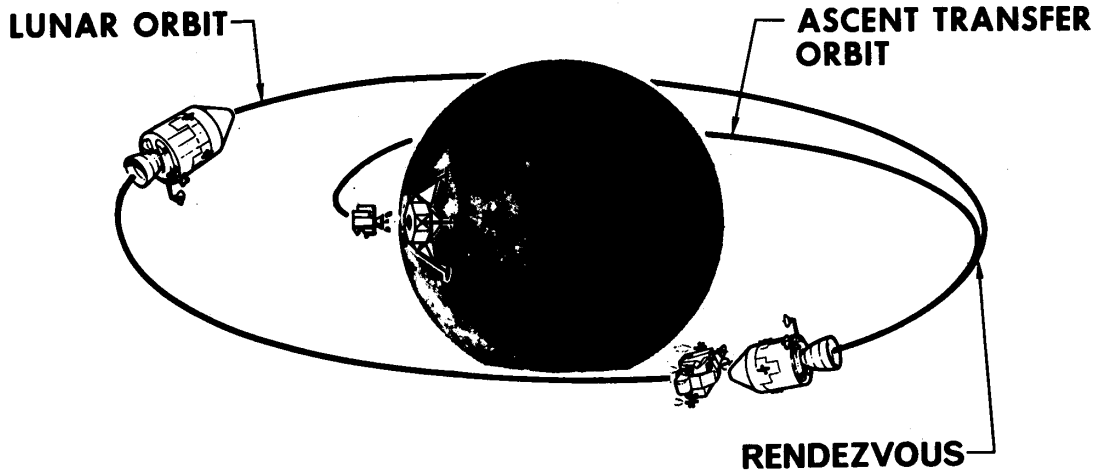
124SD10439




# LEM DESCENT TRAJECTORY



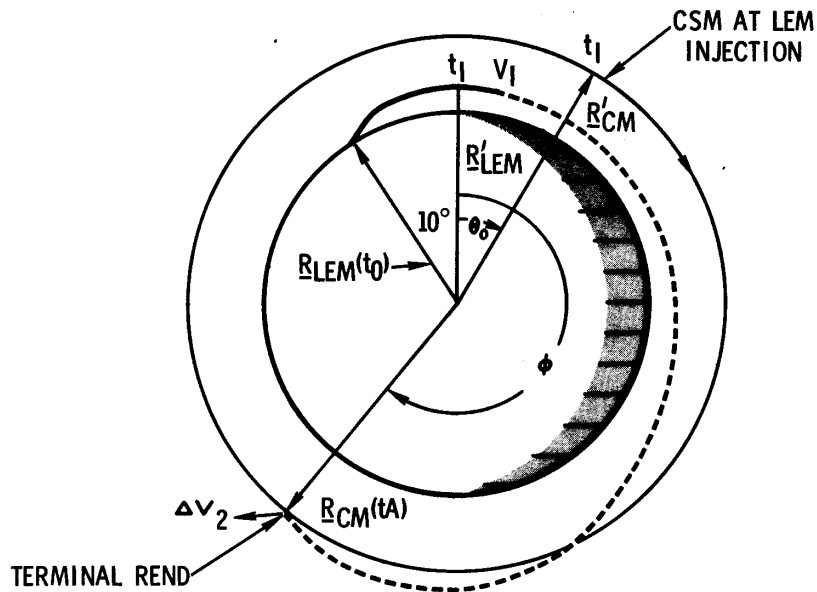
# LEM ASCENT & LUNAR ORBITAL RENDEZVOUS



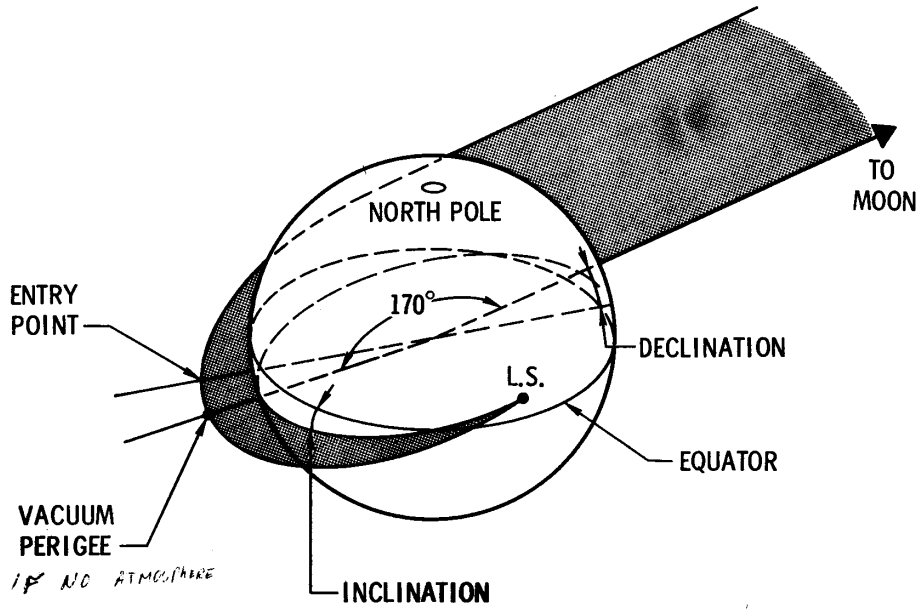
FAM-1006 

64 AP76945

# LAUNCH AIM POINT DETERMINATION

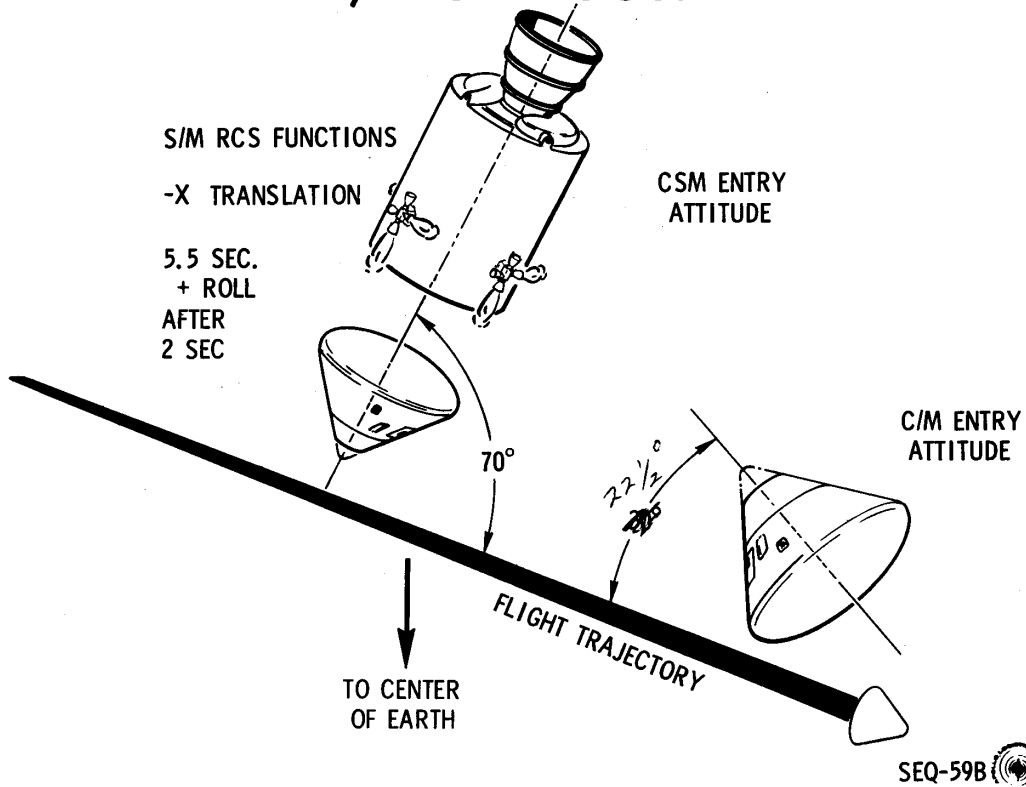


# RETURN GEOMETRY



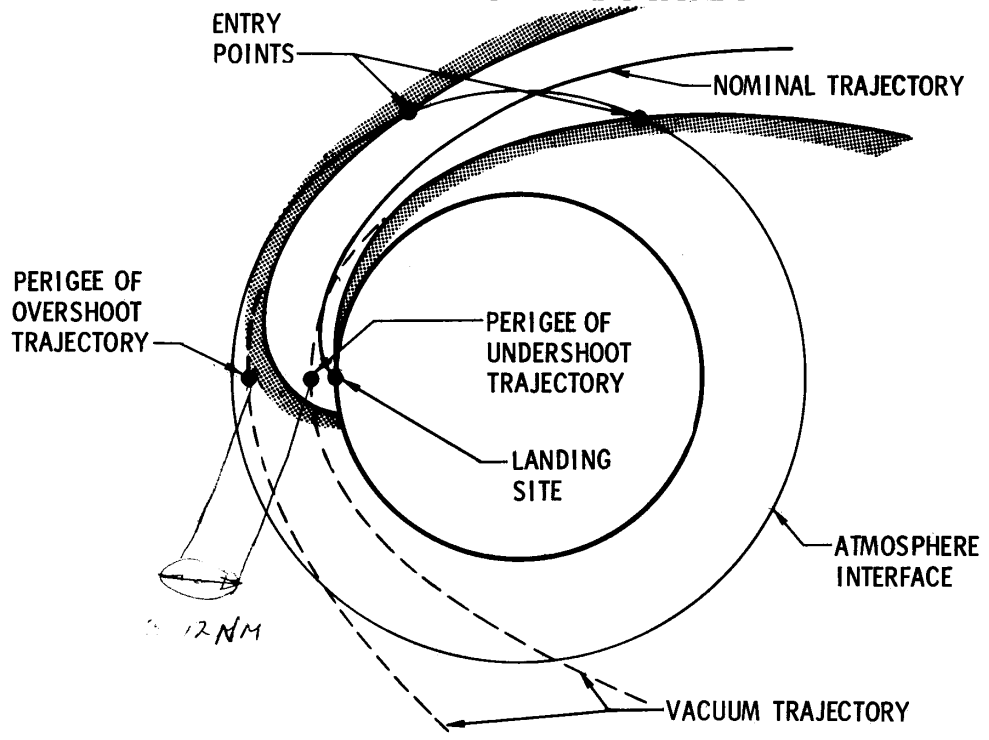
GN-204 

# S/M JETTISON





# ENTRY BOUNDARIES

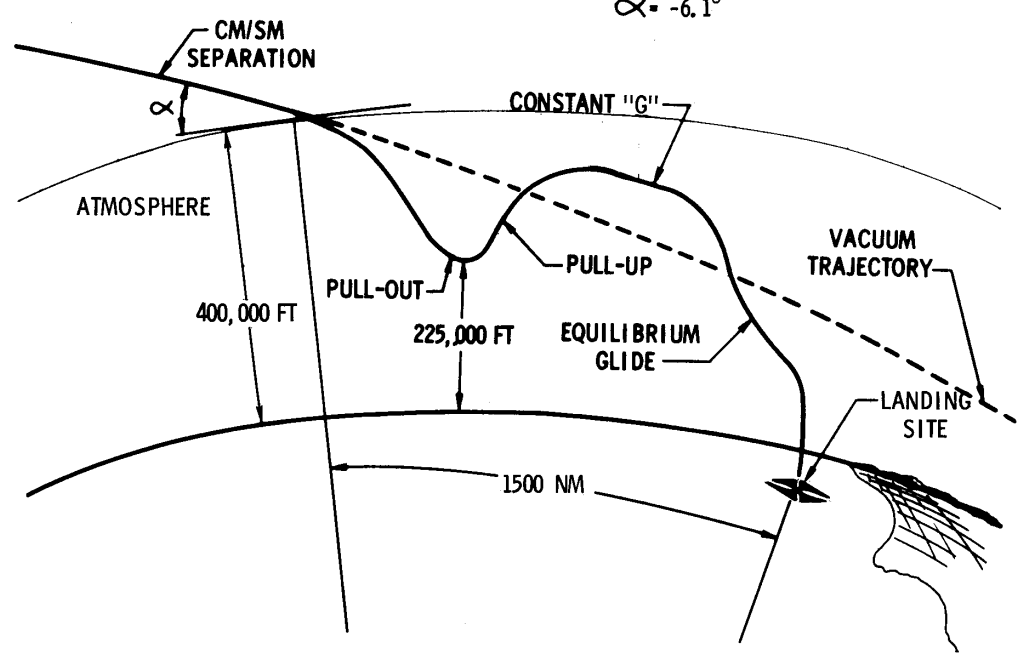


GN-205 A

# ENTRY PROFILE

*0 - 15 minutes*

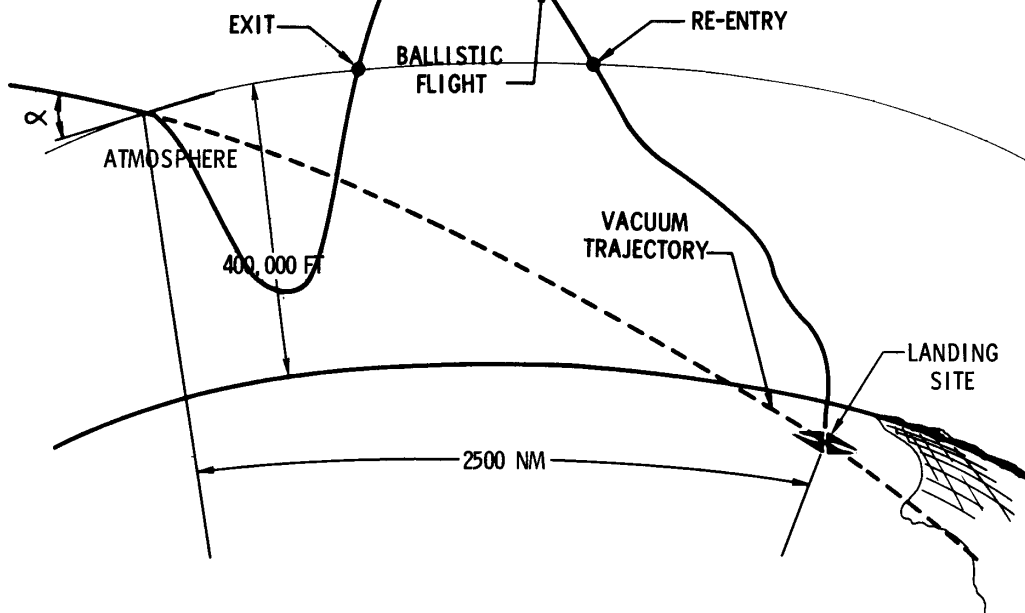
$\alpha = -6.1^\circ$



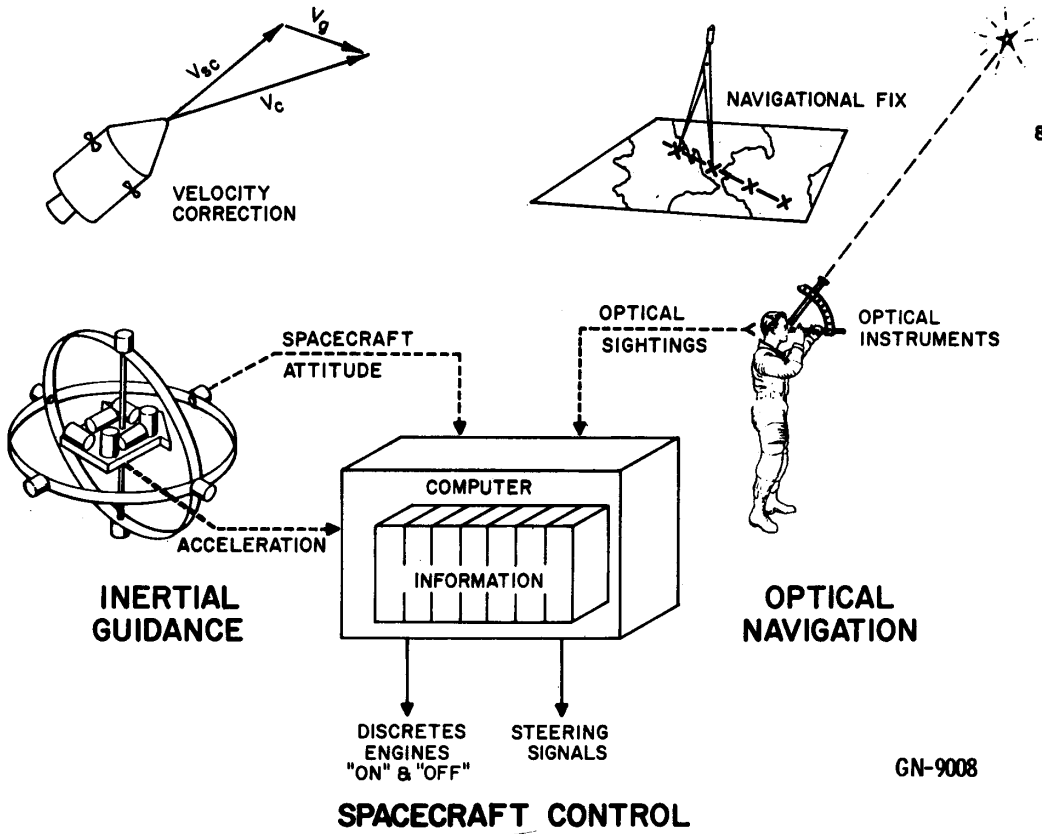
GN-197B-1

# ENTRY PROFILE

$\alpha = -7.1^\circ$

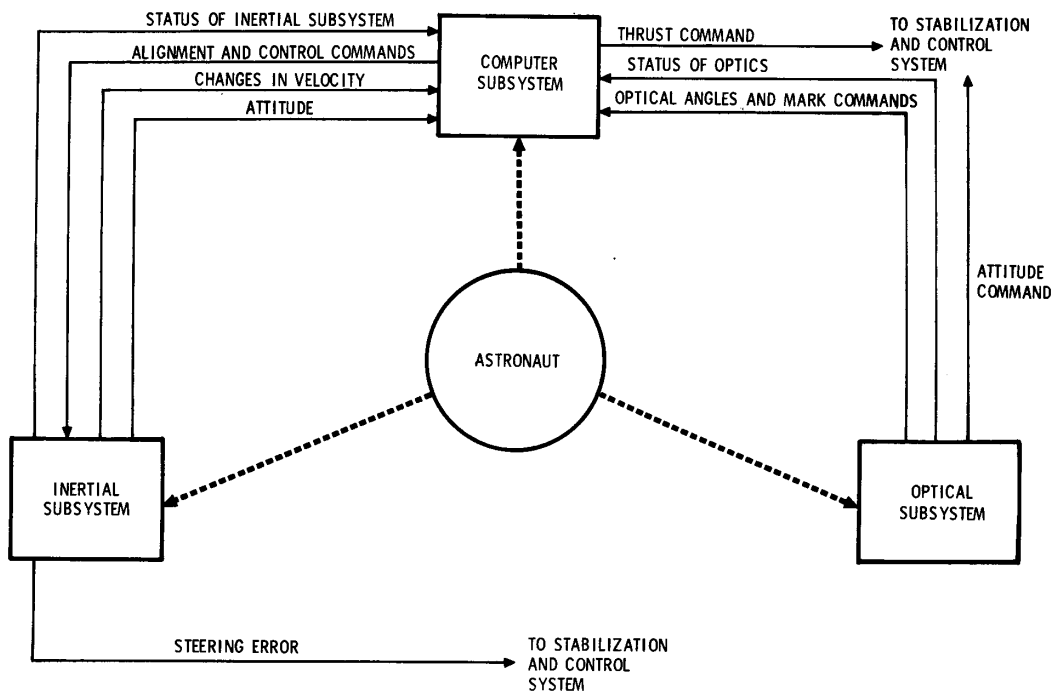



GN-197B-2




GN-9008

# INTERFACE OF G AND N SUBSYSTEMS

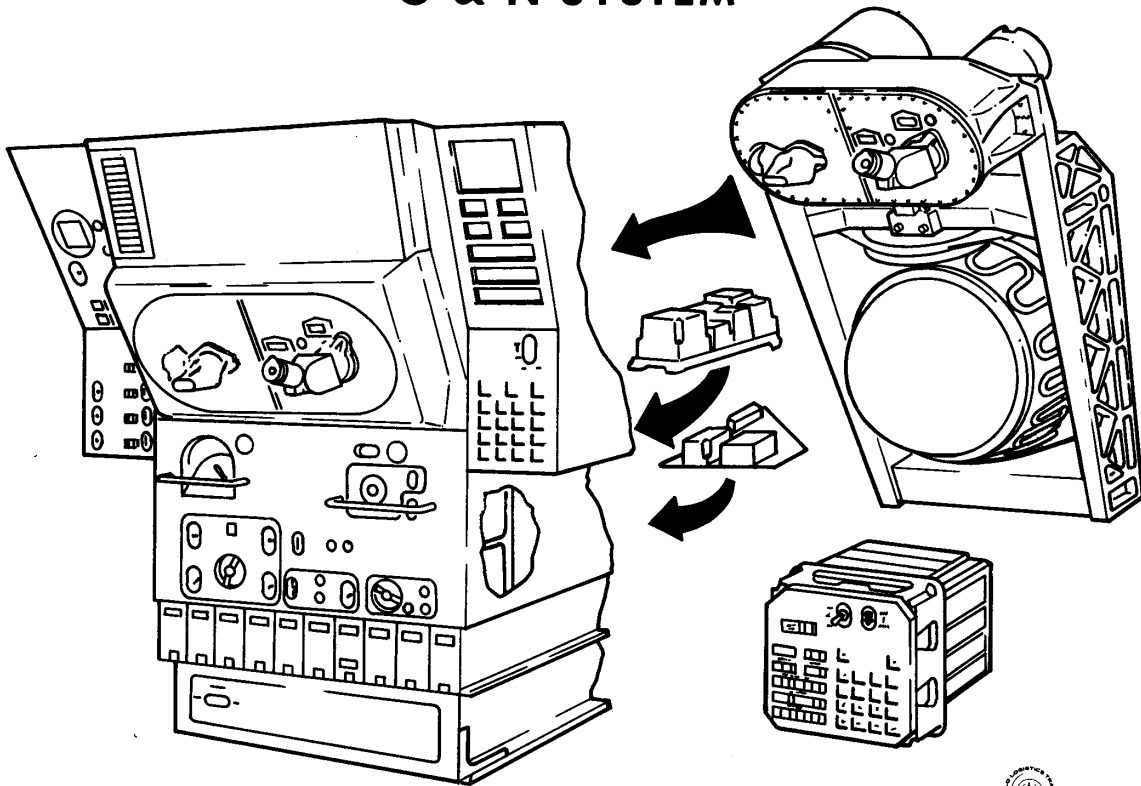



GN-9088A 

# G&N HARDWARE

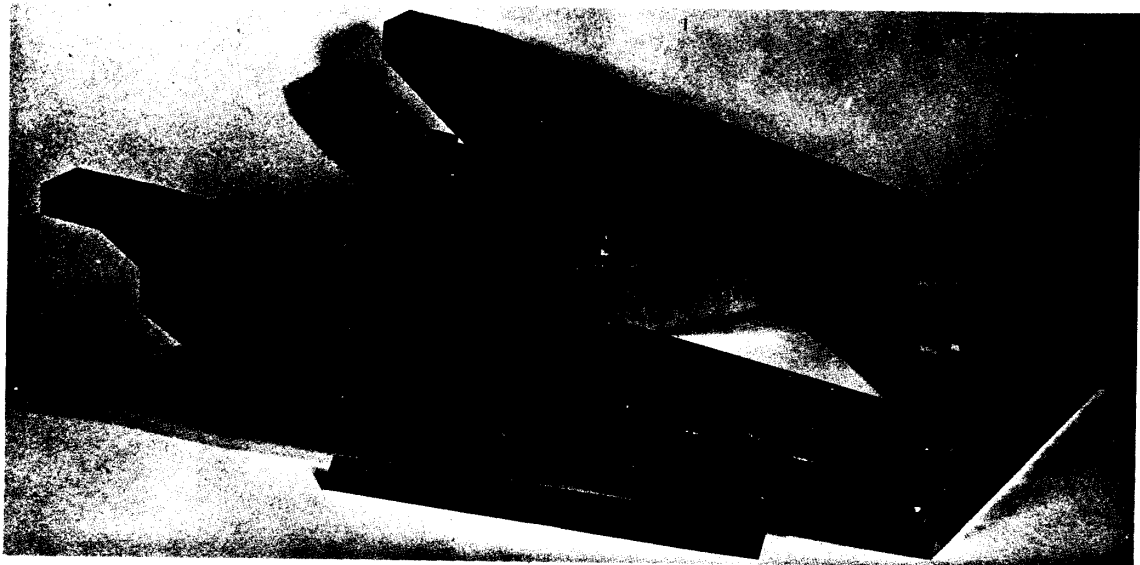
GN-223 


# G & N SYSTEM



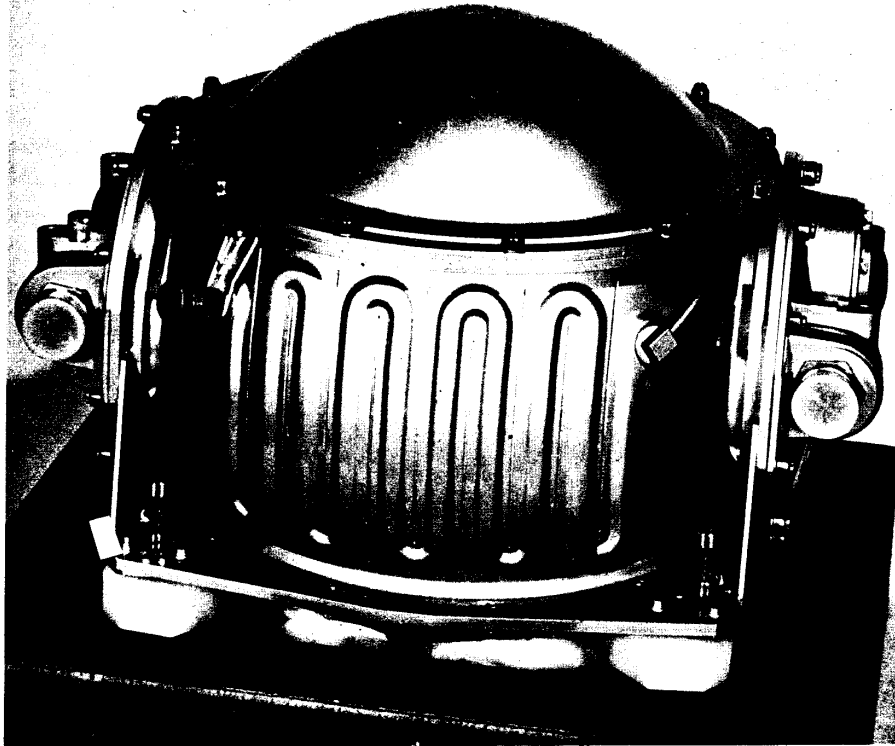
GN-235 

# NVB



GN-190 

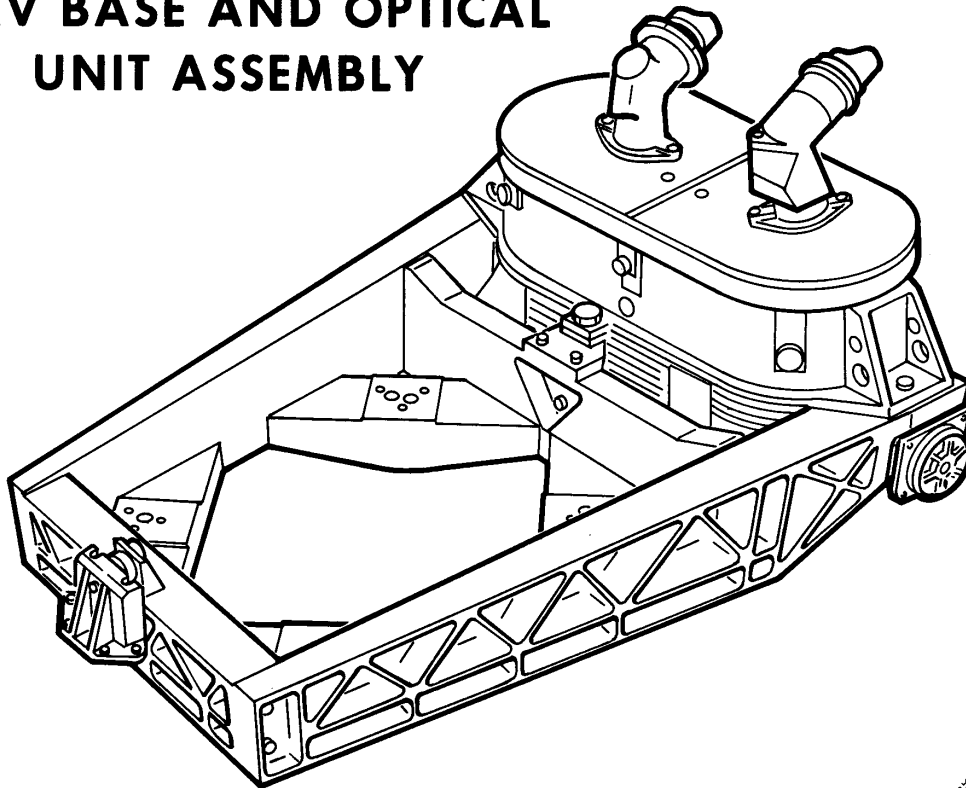
# IMU



GN-189



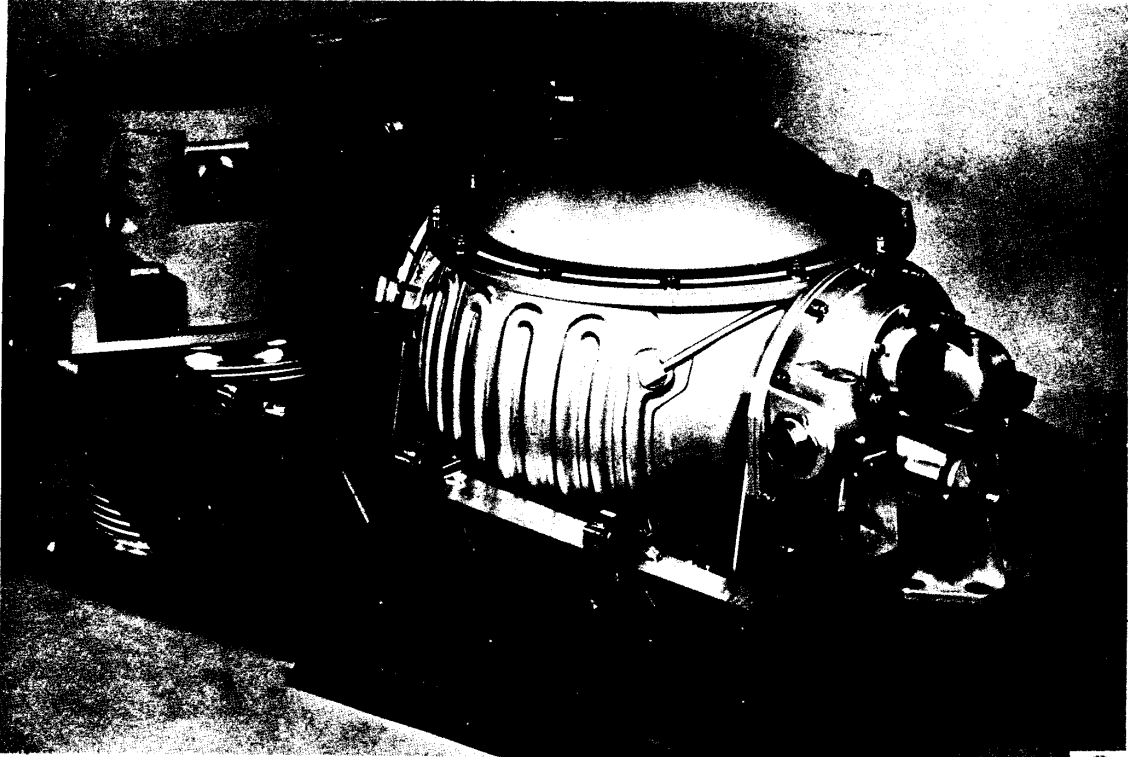
# NAV BASE AND OPTICAL UNIT ASSEMBLY




GN-236

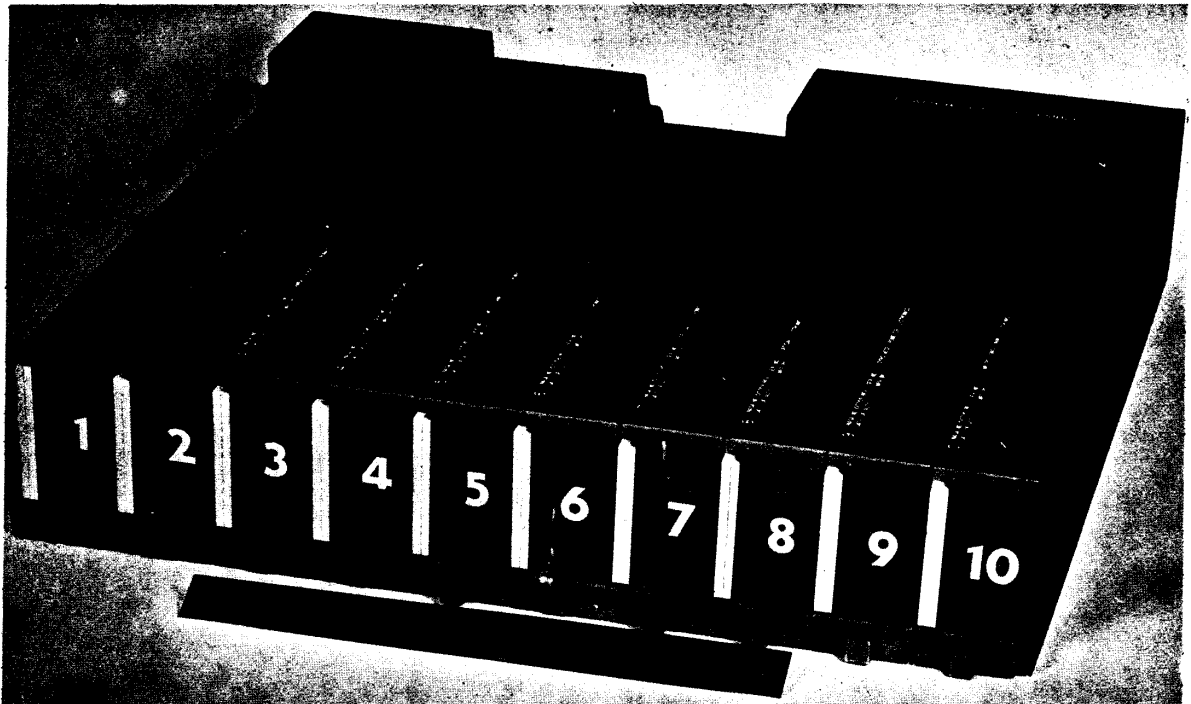



# OPTICS-INERTIAL ASSEMBLY



GN-195 

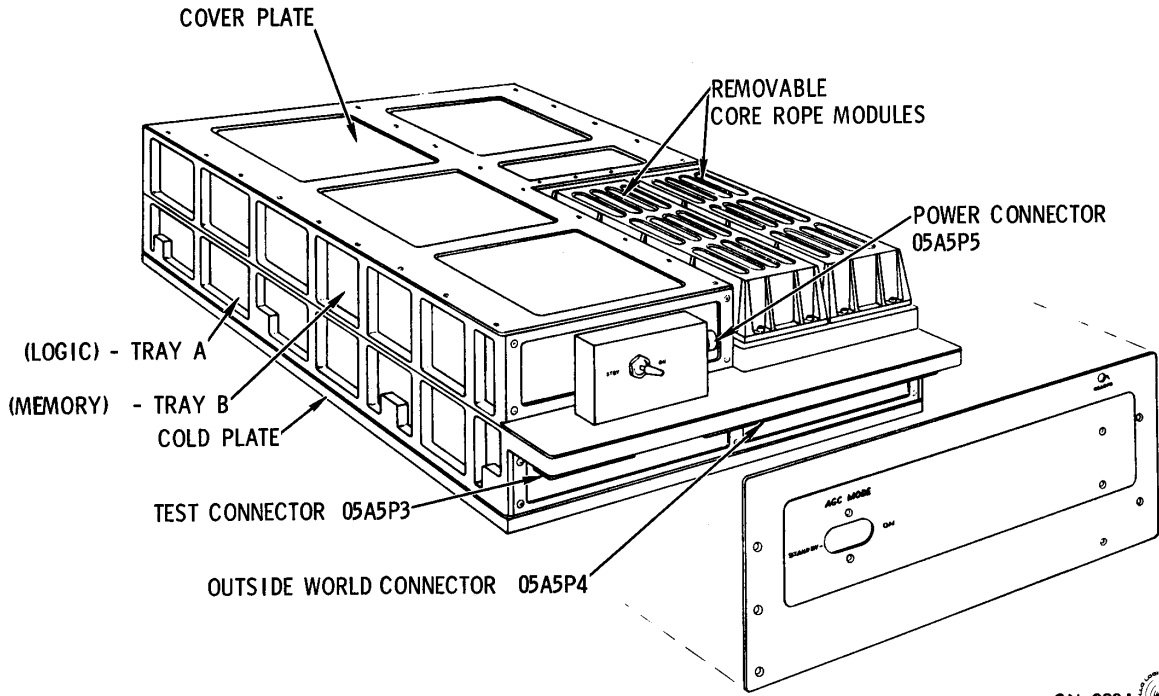
# PSA



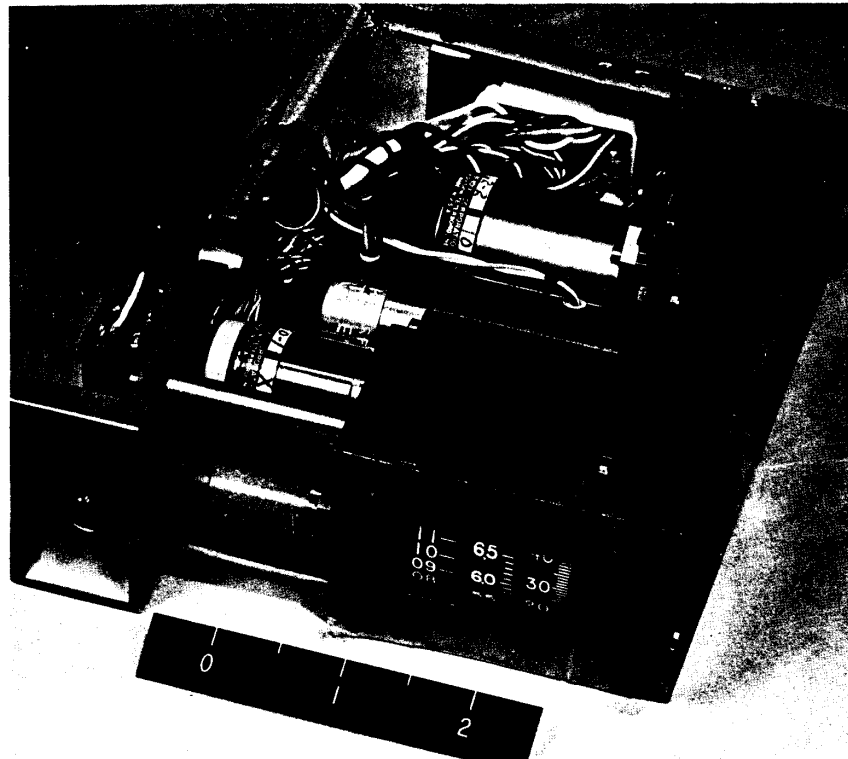
GN-192 

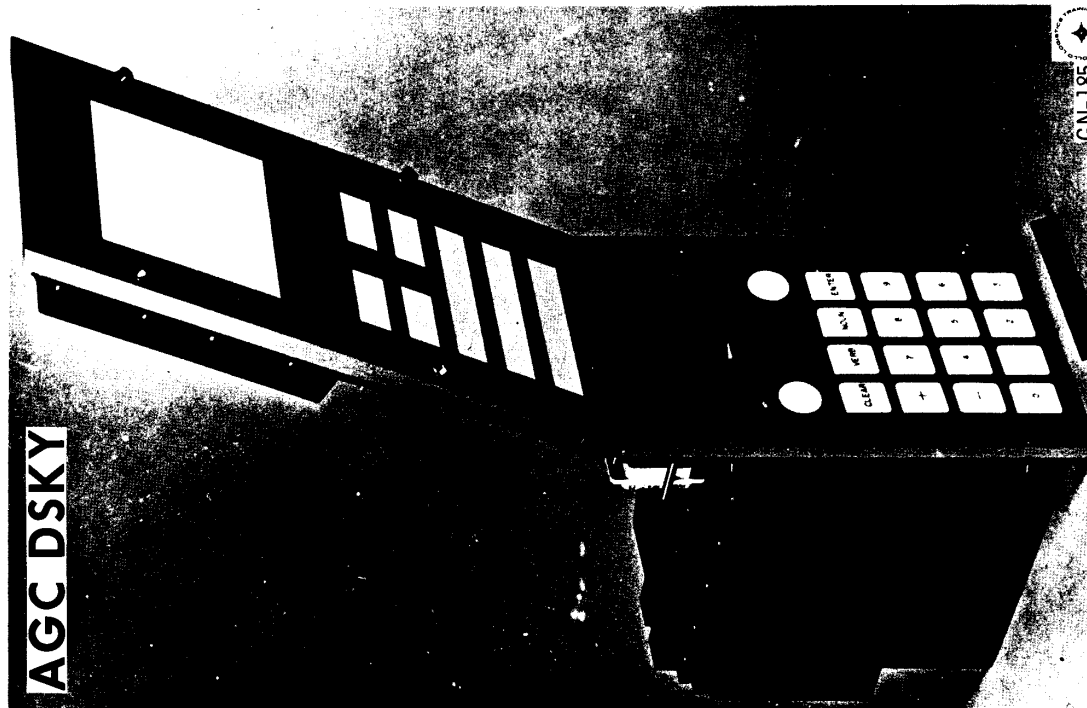
# BLOCK I COMPUTER

100 SERIES

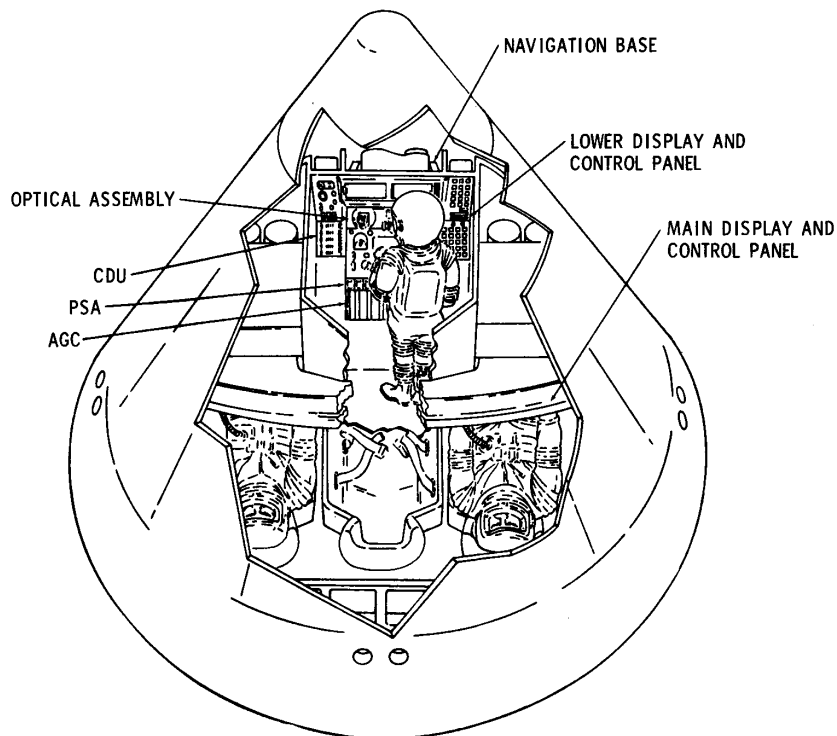


# CDU

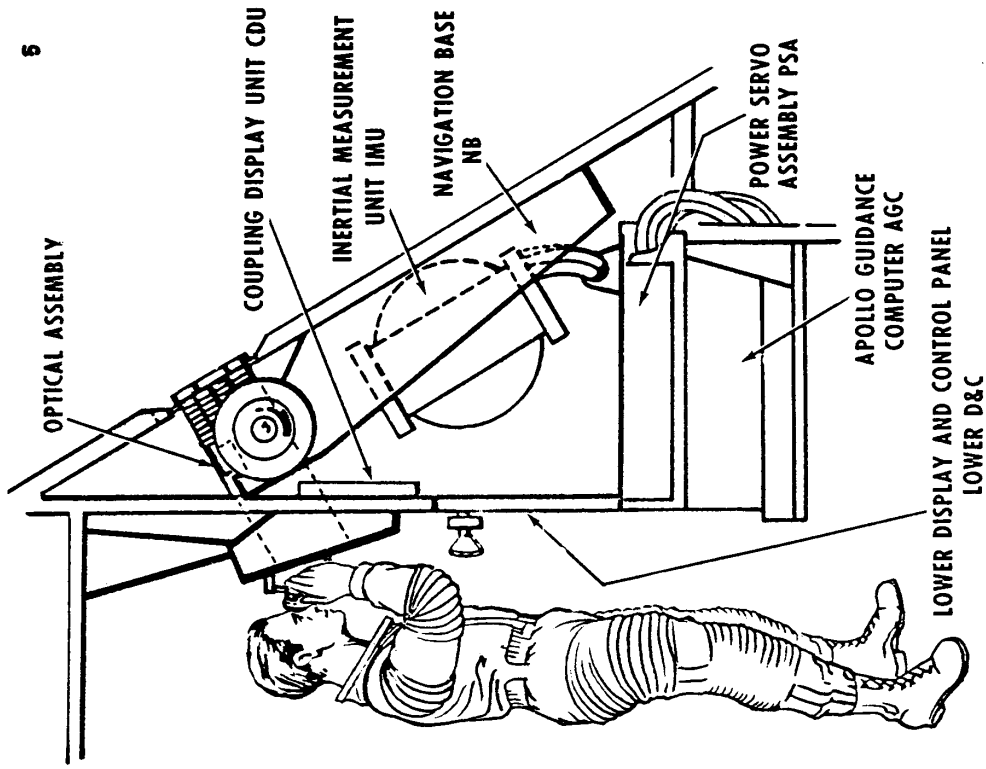




## G&N SYSTEM EQUIPMENT LOCATION



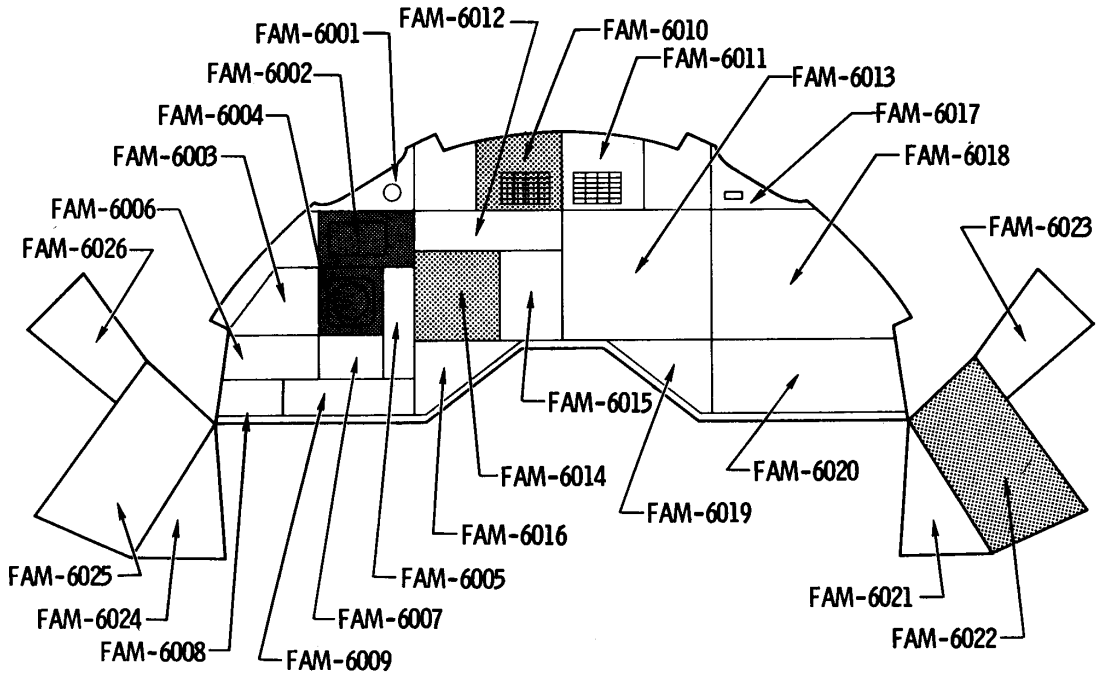




LOCATION OF GUIDANCE AND NAVIGATION  
EQUIPMENT IN SPACECRAFT GN-9005

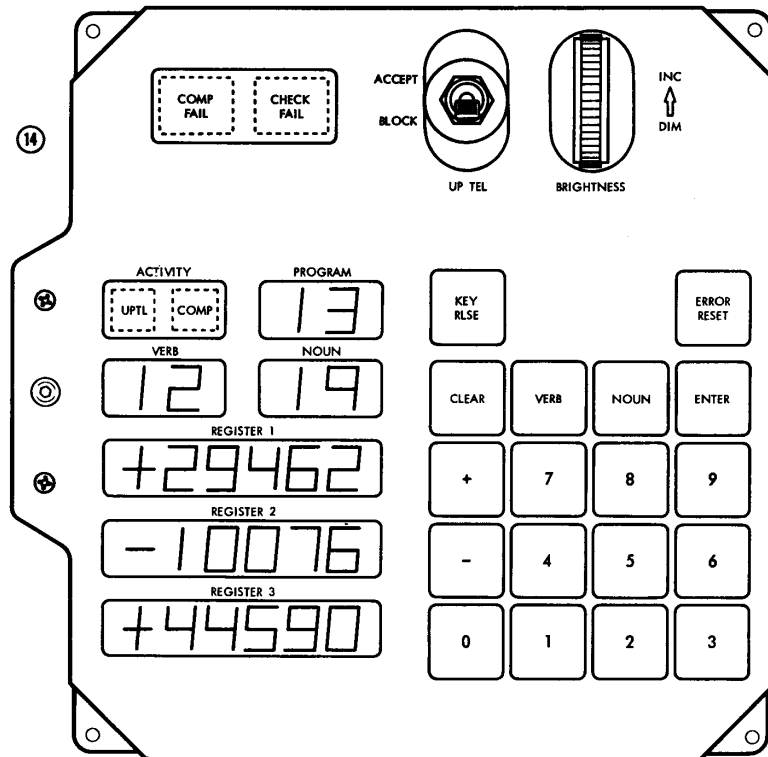
# G&N CONTROL & DISPLAYS


# MAIN DISPLAY CONSOLE LOCATOR

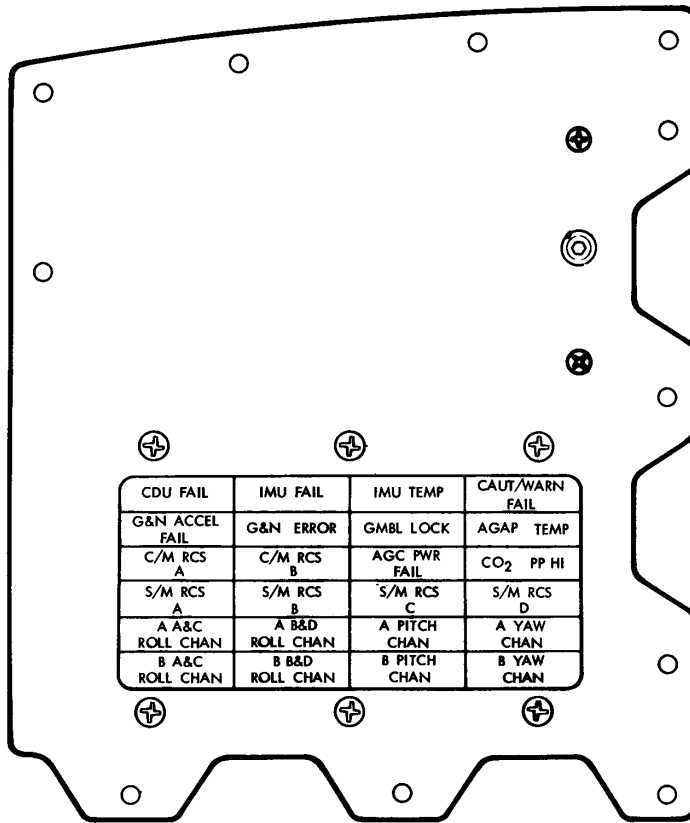


GN-207A 

# G & N COMPUTER CONTROL

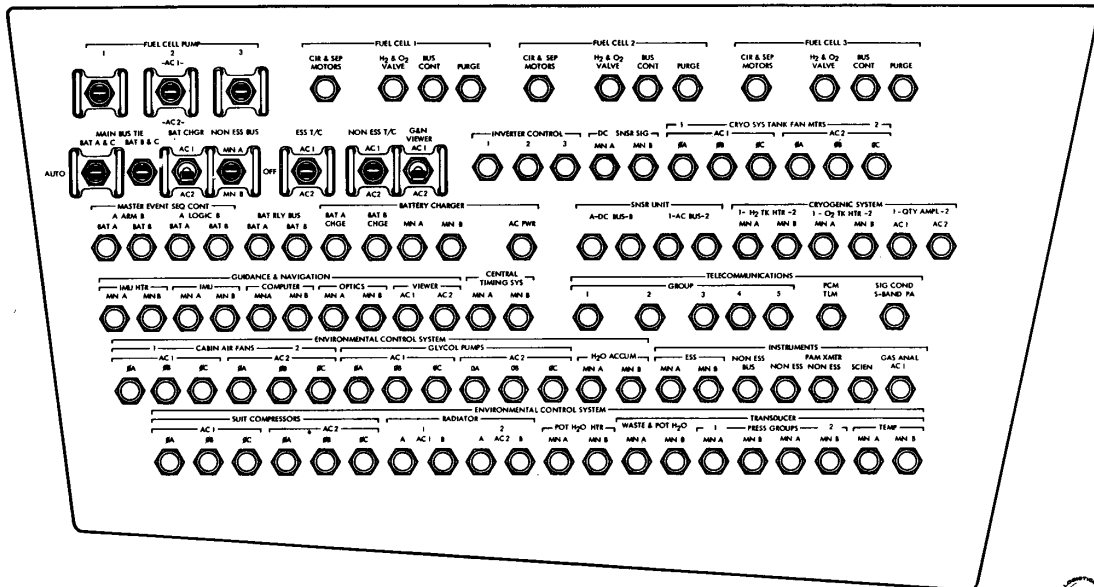


FAM-6014 



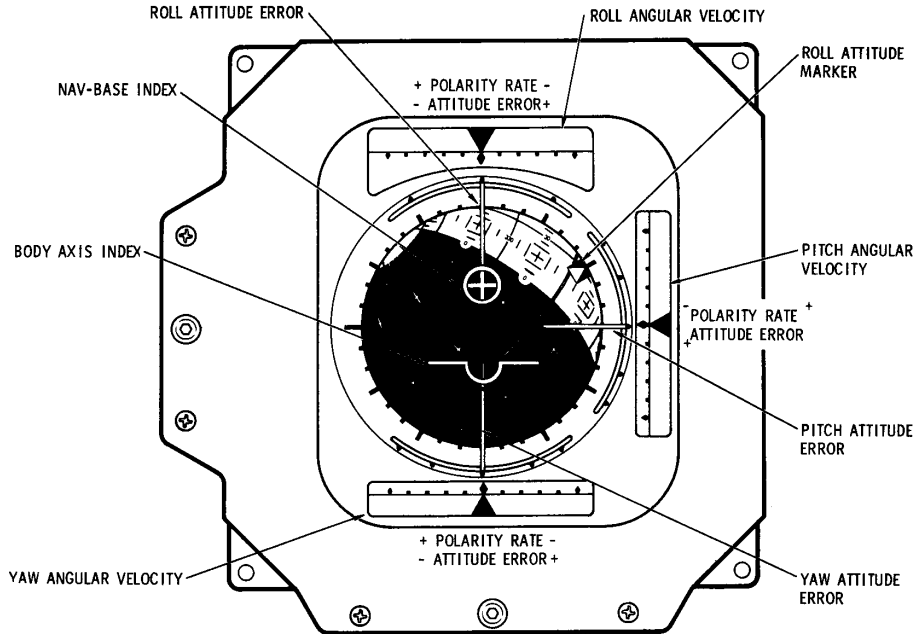
10

FAM-6210



FAM-6222

# FLIGHT DIRECTOR ATTITUDE INDICATOR



**NOTES:**

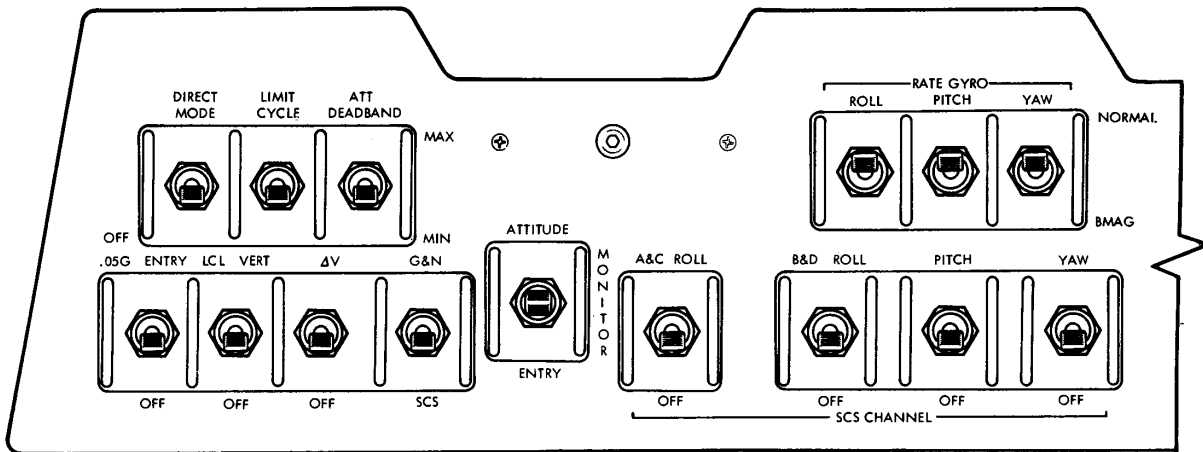
1. ATTITUDE ERROR = ATTITUDE DESIRED - ACTUAL ATTITUDE.
2. THE BALL IS OF THE INSIDE-OUT CONVENTION.
3. EULER ANGLE CONVENTION IS PITCH, YAW, ROLL.
4. THE BALL ATTITUDE SHOWN IS PITCH 345°, YAW 335°, AND ROLL 300°, WITH RESPECT TO THE NAVIGATION BASE INDEX.

SCS-100B



## SCS CONTROL PANEL

8

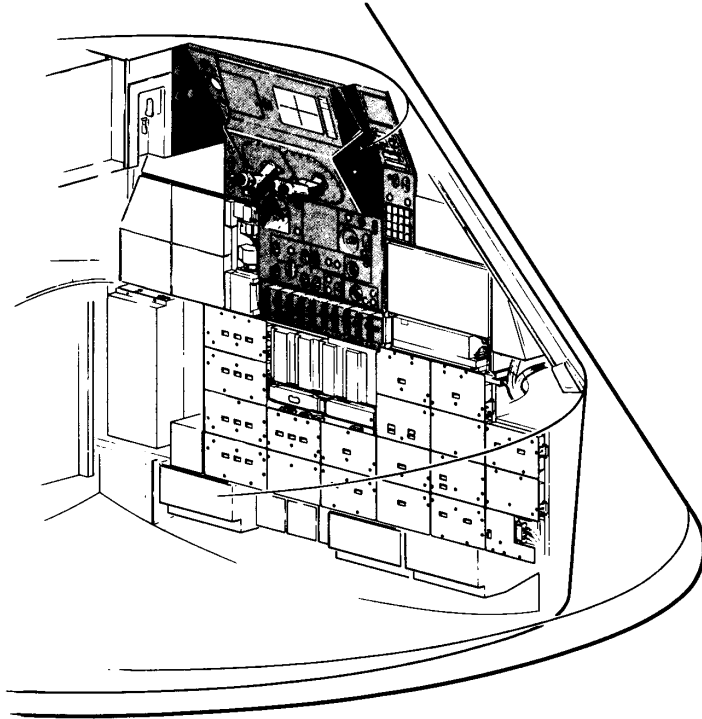


SCS-106B



# LOWER EQUIPMENT BAY

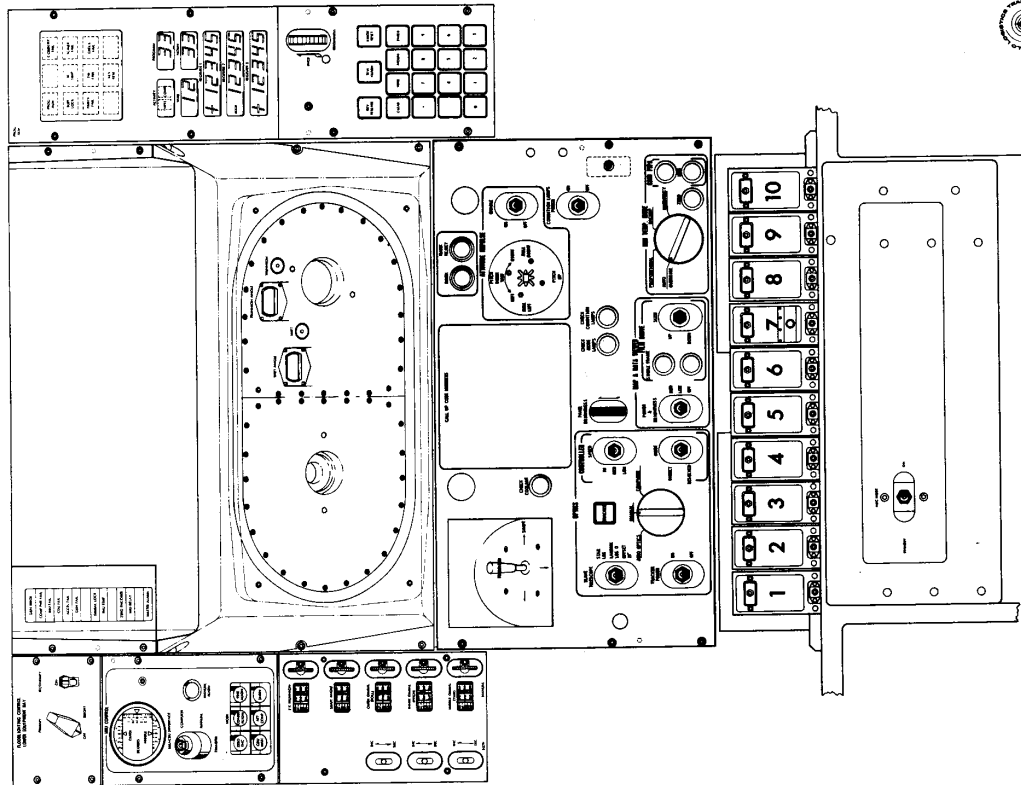
## PERSPECTIVE



F-204A

# G/N LOWER EQUIPMENT BAY

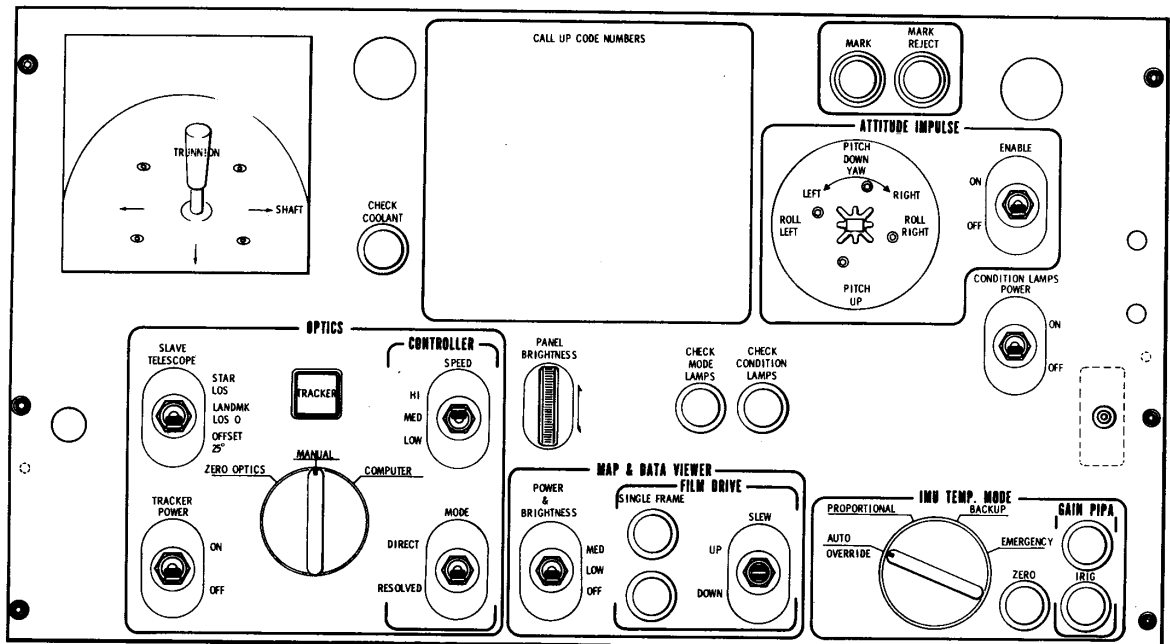
## BLOCK I (100 SERIES)



GN-224A

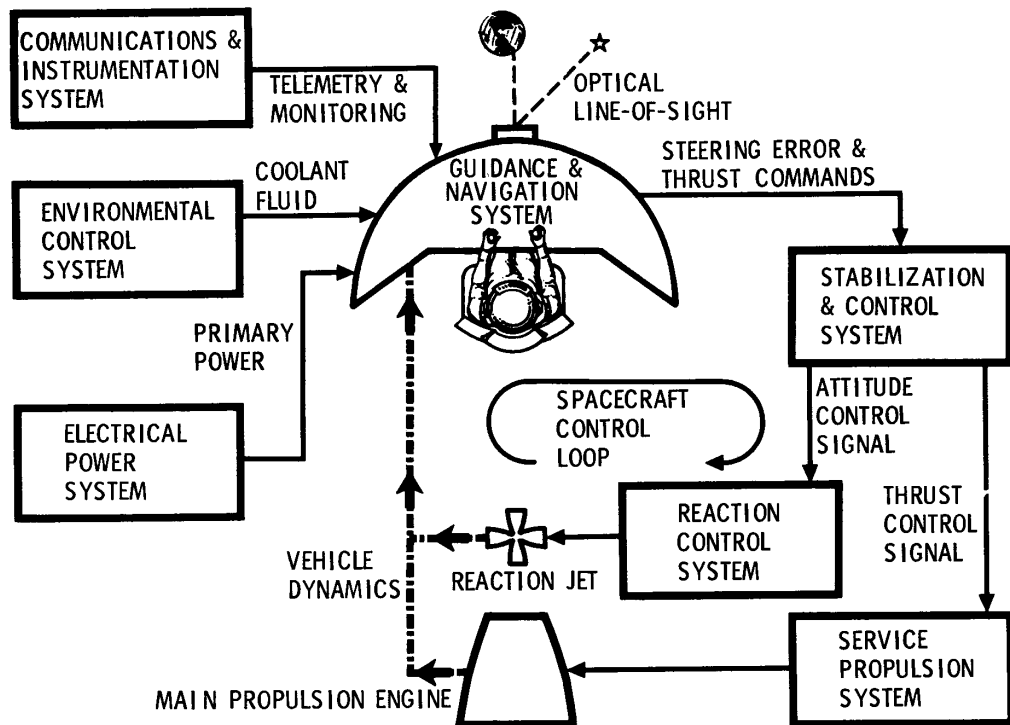
# G&N OPTICS CONTROL PANEL

100 SERIES



GN-100A-1

# G&N INTERFACE SYSTEMS

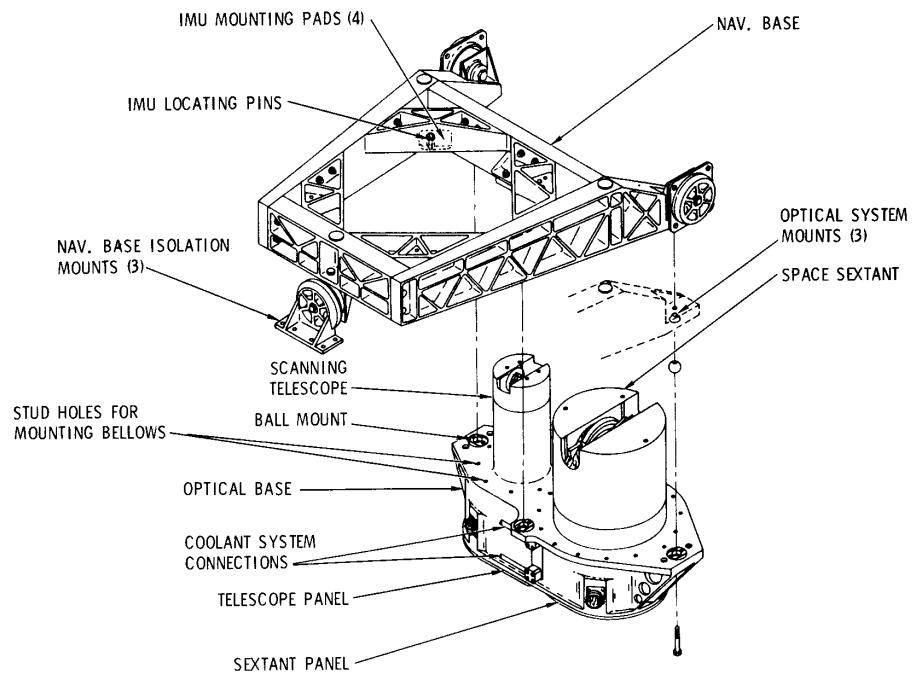



GN-500A

# OPTICS SUBSYSTEM

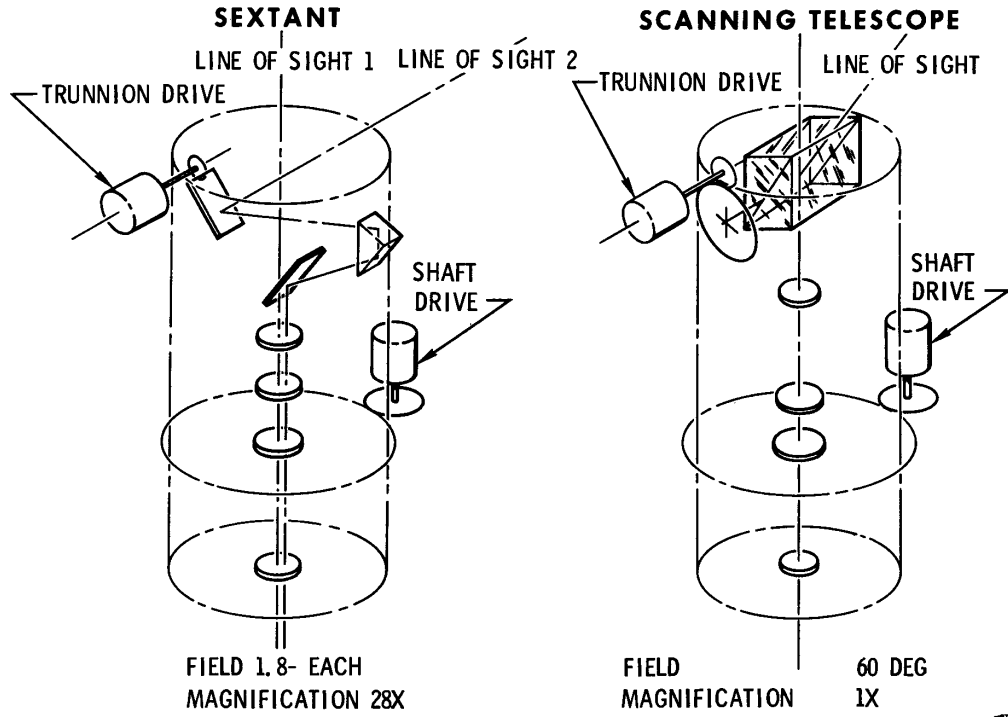
GN-220 

## OPTICAL SUBSYSTEM AND NAV. BASE



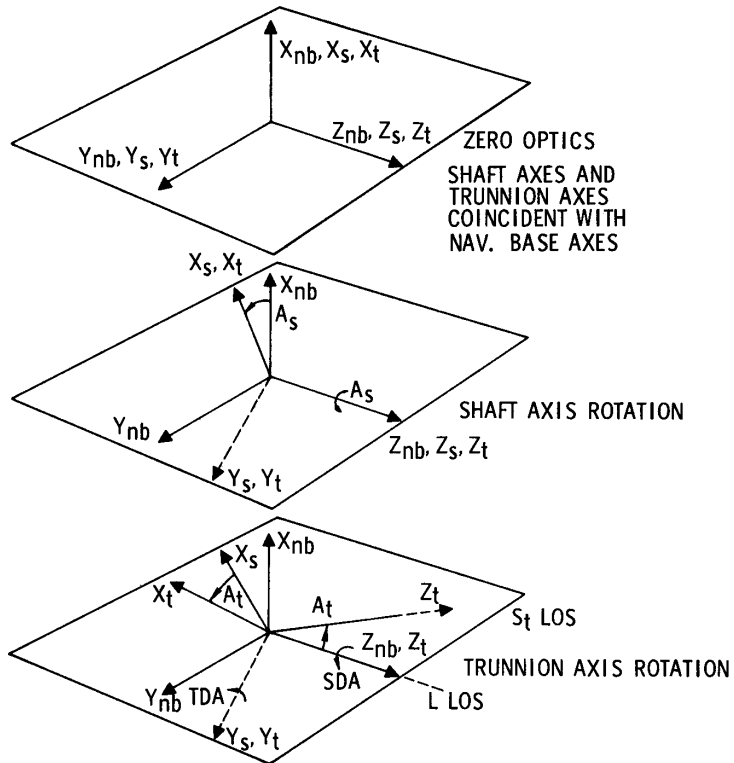
GN-9120A 

# OPTICAL SCHEMATIC



GN-176 A

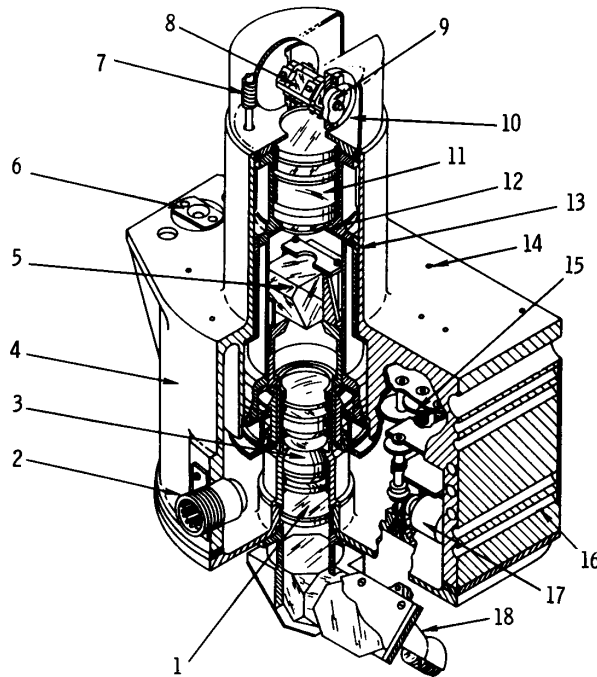
# OPTICAL SYSTEM AXES



GN-9175A



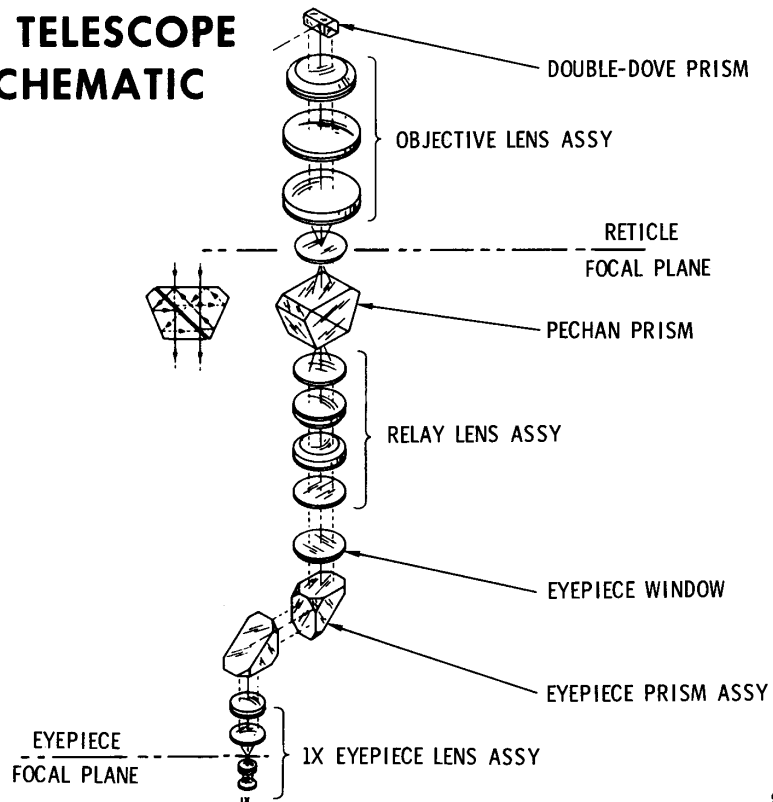
# SCANNING TELESCOPE CUTAWAY



1. WINDOW
2. ELECTRICAL CONNECTOR
3. RELAY LENS ASSEMBLY
4. OPTICAL BASE
5. PECHAN PRISM
6. BALL MOUNT
7. TRUNNION DRIVE WORMSHAFT
8. PRISM & MOUNT ASSEMBLY
9. CAM
10. SPRING & CAMFOLLOWER (ANTIBACKLASH)
11. OBJECTIVE LENS ASSEMBLY
12. RETICLE
13. RETICLE ILLUMINATION
14. STUD HOLES FOR BELLOWS COVER
15. SHAFT DRIVE GEAR BOX
16. HEAT EXCHANGER CHANNELS
17. COUNTER (SHAFT AXIS)
18. EYEPIECE ASSEMBLY

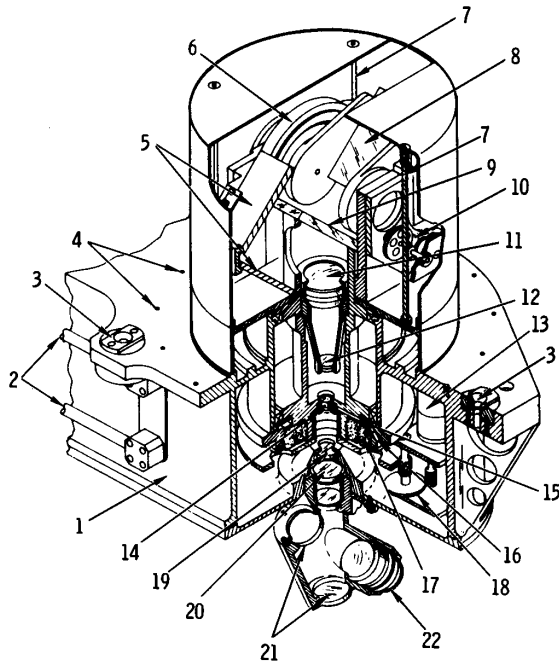
GN-9121A

## SCANNING TELESCOPE OPTICAL SCHEMATIC




GN-9122 A

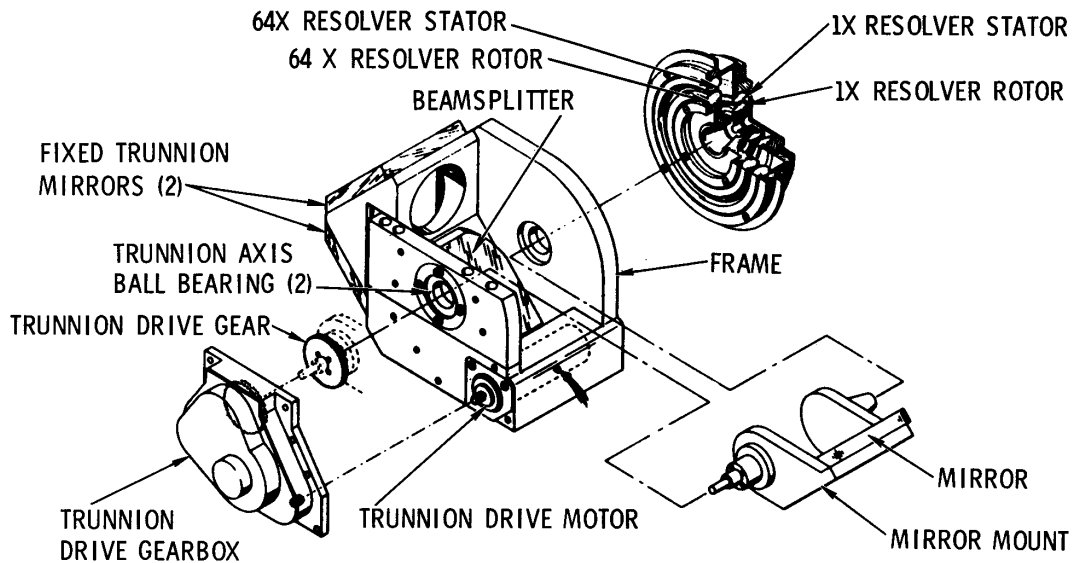
# SEXTANT CUTAWAY




1. OPTICAL BASE
2. COOLANT CONNECTIONS
3. BALL MOUNT
4. STUD HOLES FOR MOUNTING BELLOWS COVER
5. FIXED RIGHT-ANGLE MIRRORS
6. TRUNNION AXIS RESOLVER (64X)
7. COVER-FASTENING ROD
8. INDEXING MIRROR
9. BEAM SPLITTER
10. TRUNNION DRIVE GEAR BOX
11. OBJECTIVE LENS ASSEMBLY
12. INTERMEDIATE LENS ASSEMBLY
13. SHAFT AXIS DRIVE MOTOR
14. RETICLE
15. LIGHT-TRANSMITTING ROD
16. RETICLE LAMP
17. SHAFT-AXIS RESOLVER (16X)
18. SHAFT DRIVE GEAR BOX
19. EYEPIECE SOCKET & SEAL
20. EYEPIECE OBJECTIVE LENS
21. EYEPIECE MIRRORS
22. EYEPIECE OCULAR

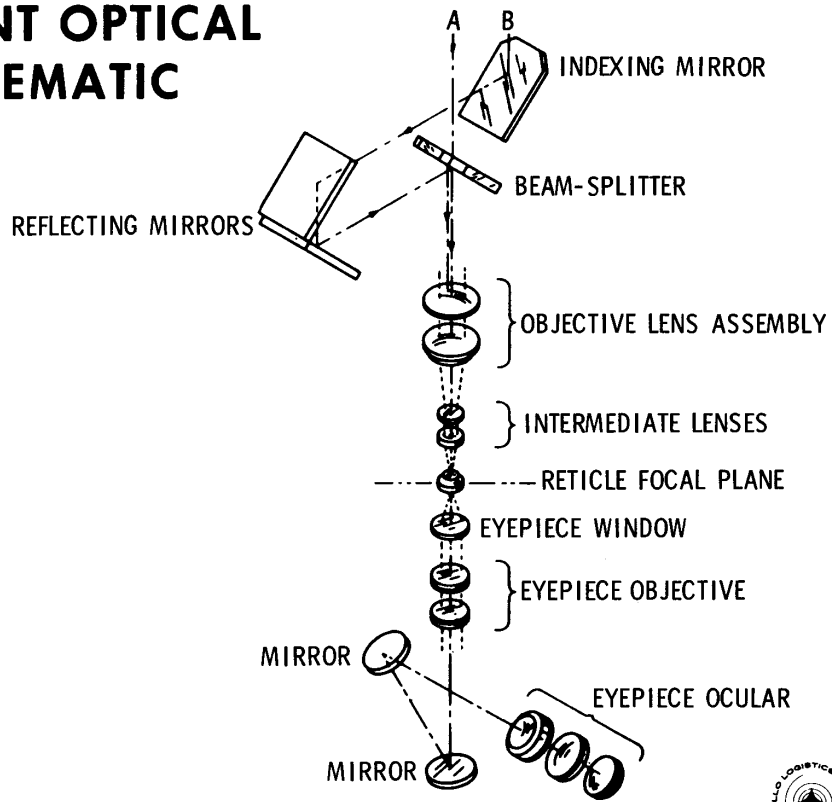
GN-9124 A 

# SEXTANT TRUNNION AXIS ASSEMBLY



GN-9125A 

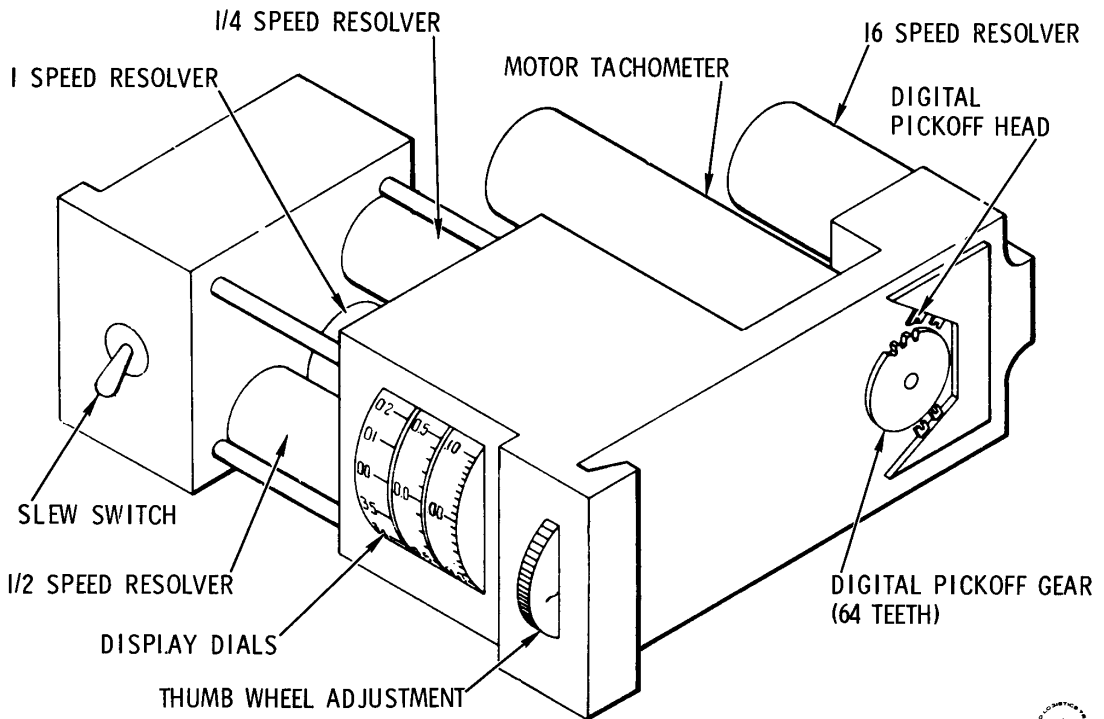
# SEXTANT OPTICAL SCHEMATIC



GN-9126A

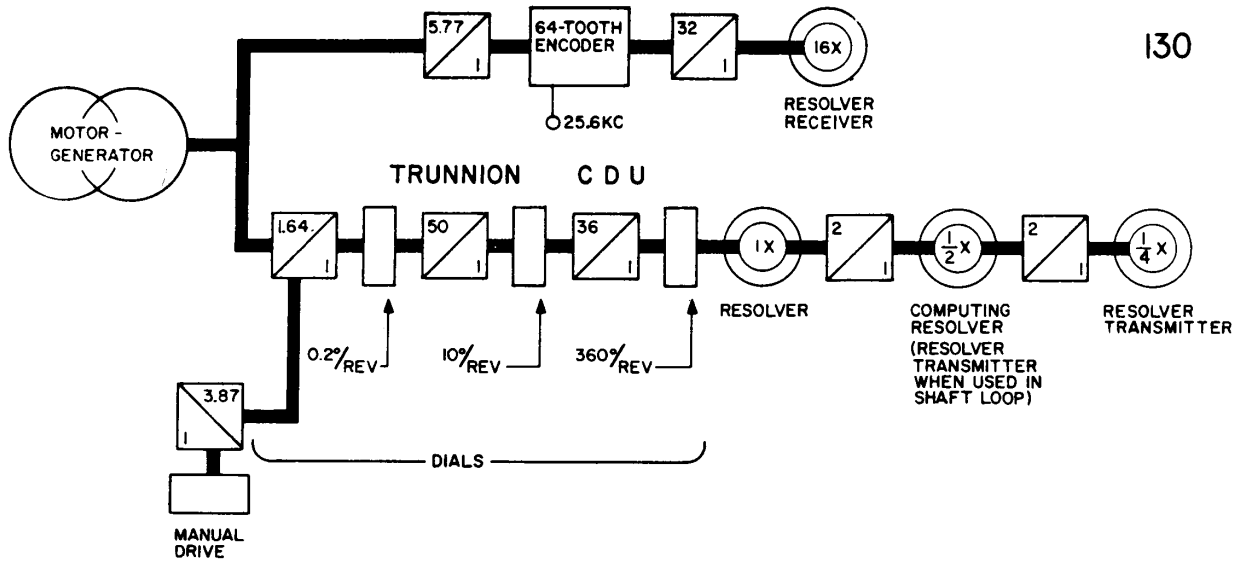


# COUPLING DISPLAY UNIT



GN-9073A

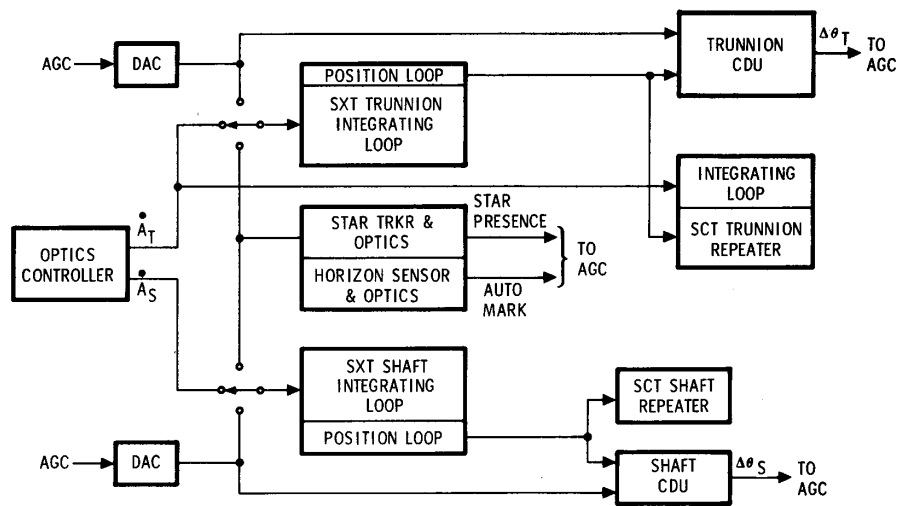




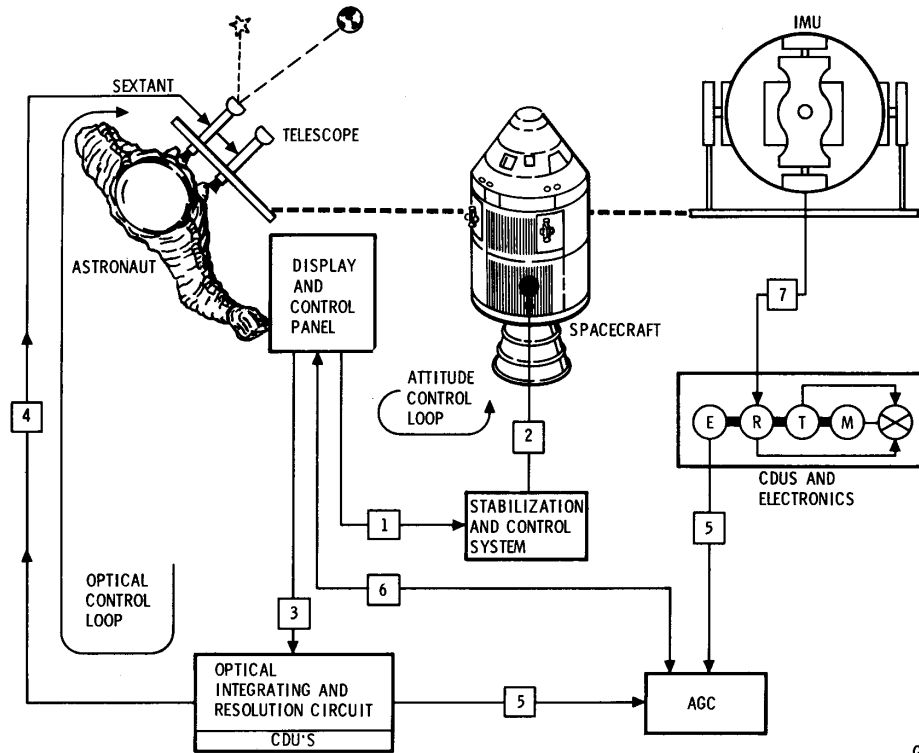
CDU BLOCK DIAGRAM

### OPTICS MECHANIZATION

#### BLOCK I 100SERIES

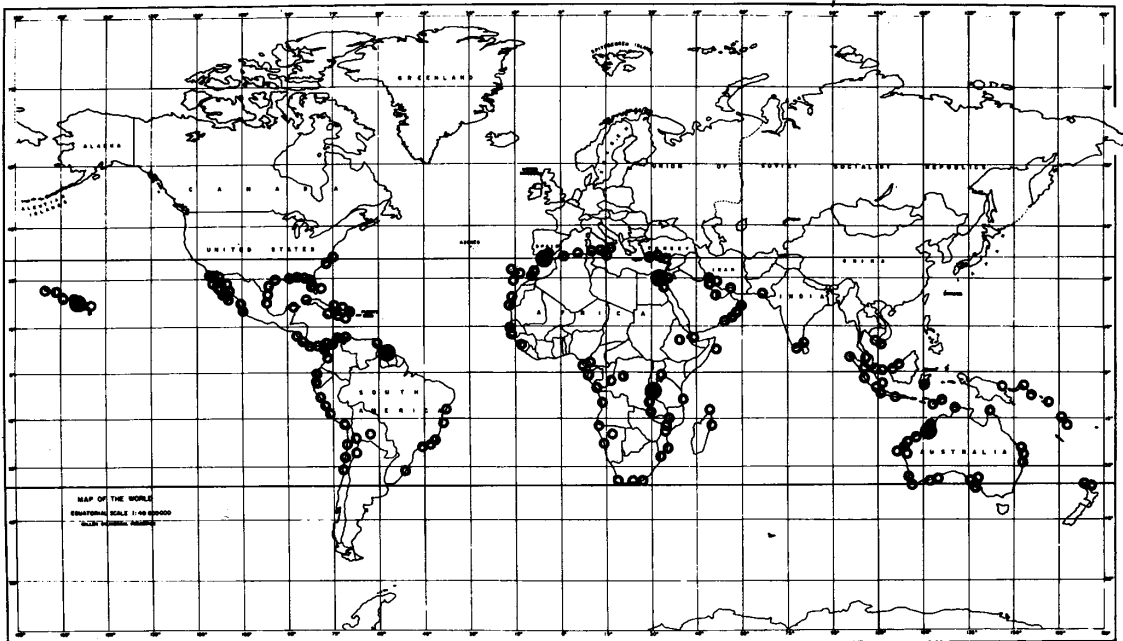



# OPTICAL MEASUREMENT



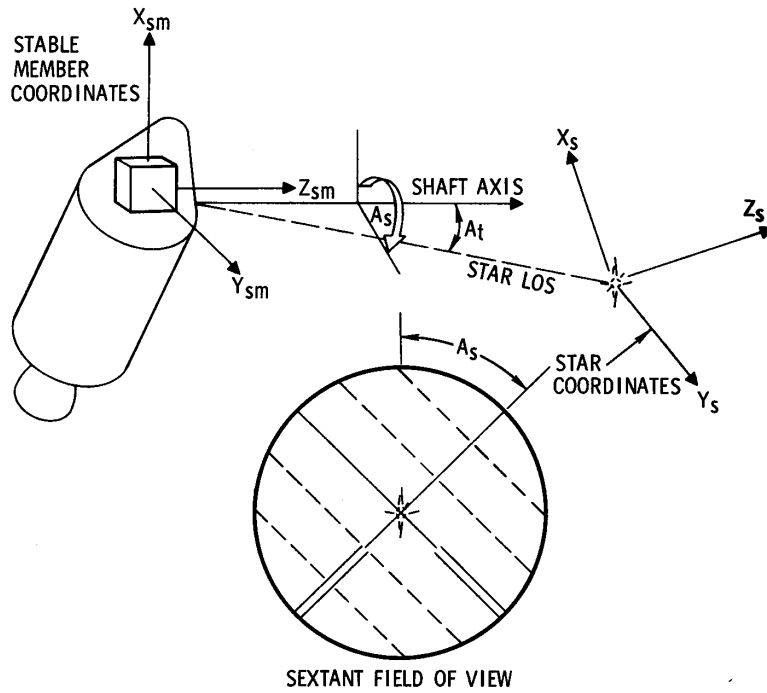
GN-9146A 

# LAND MARKS



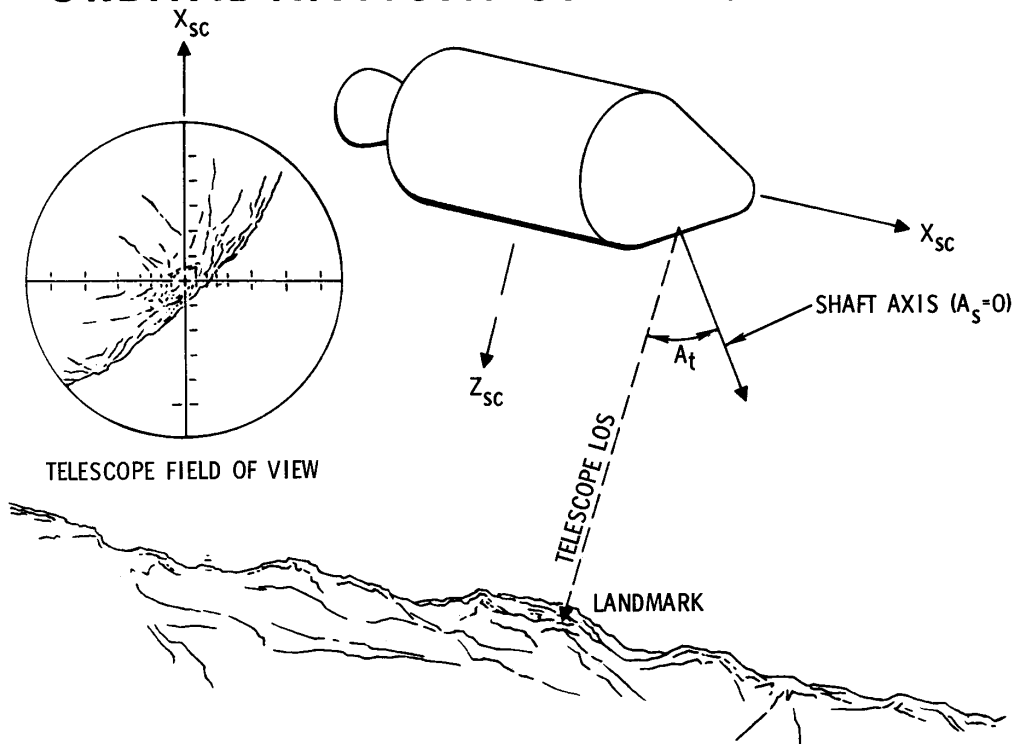
GN-198 


# IMU ALIGNMENT MEASUREMENT



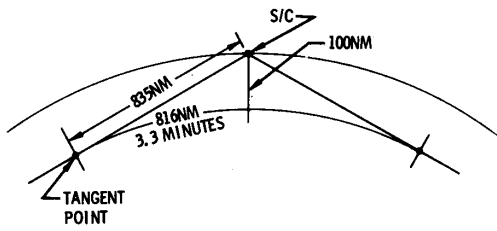
GN-9100A 

# ORBITAL NAVIGATION MEASUREMENT

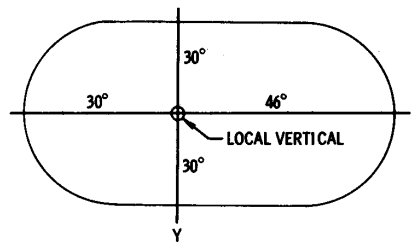


GN-9102A 

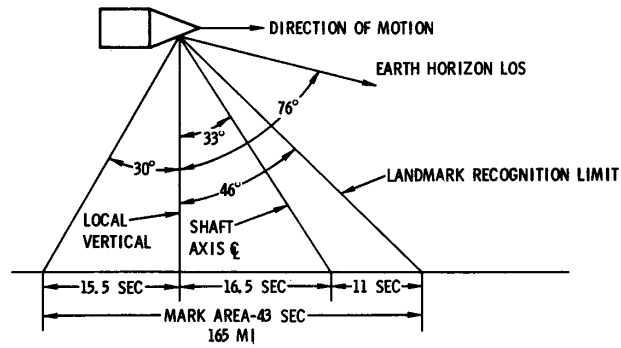
# EARTH ORBIT NAVIGATION



EARTH ORBIT GEOMETRY FIGURE 1



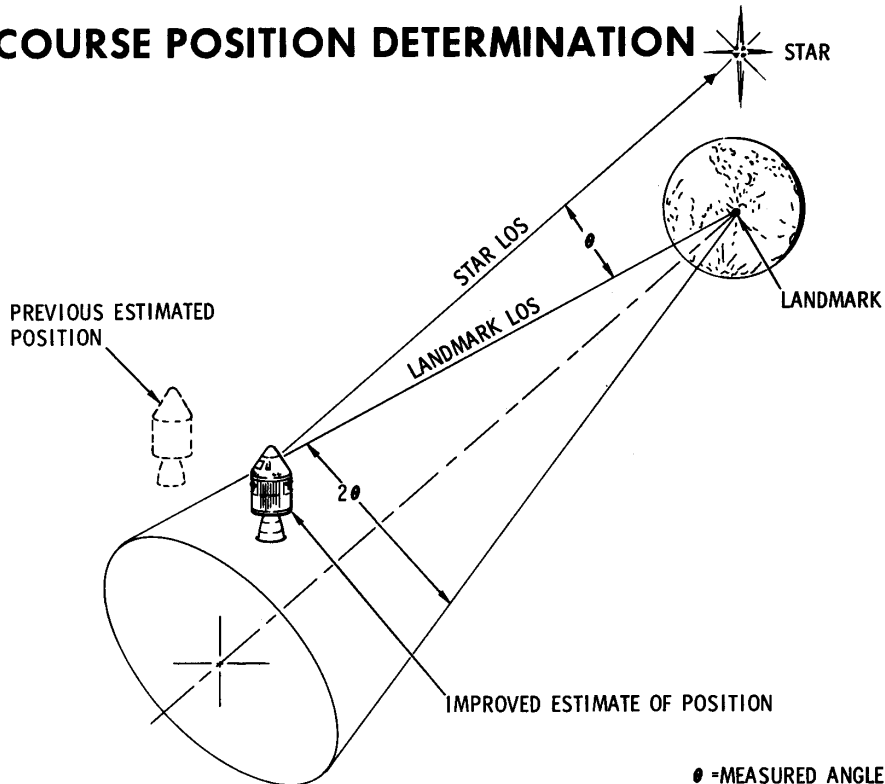
VIEW ON SURFACE FIGURE 3



COVERAGE ON SURFACE FIGURE 2

GN-183A 

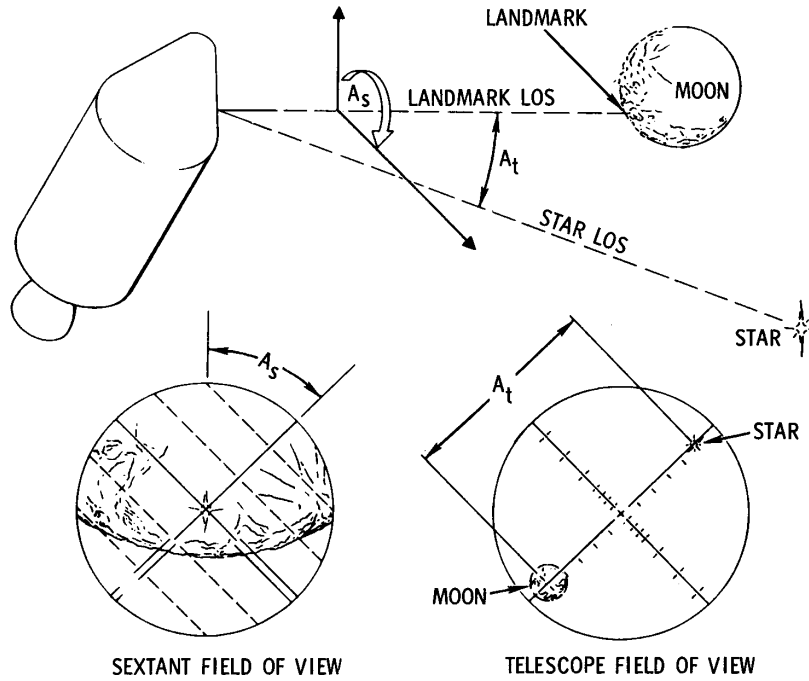
## MIDCOURSE POSITION DETERMINATION




θ = MEASURED ANGLE

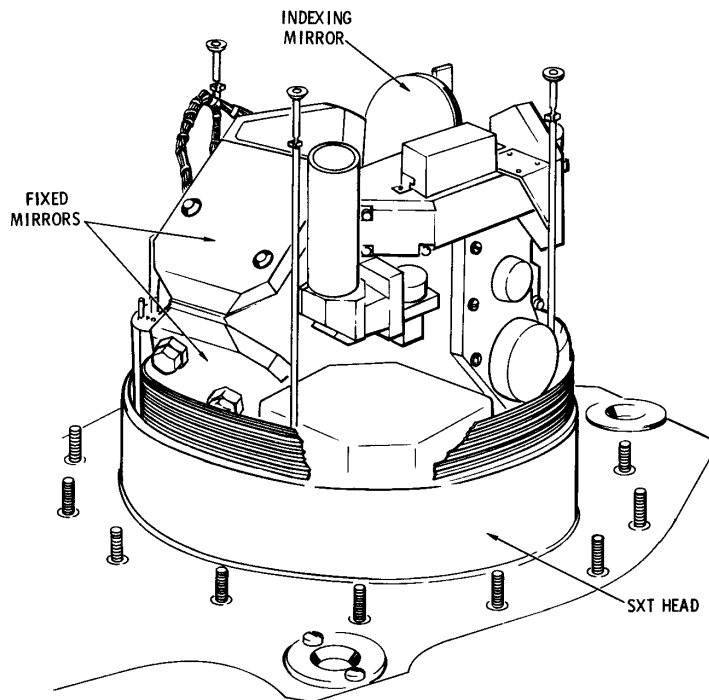
GN-910IA 


# MIDCOURSE NAVIGATIONAL MEASUREMENT



GN-9103A 

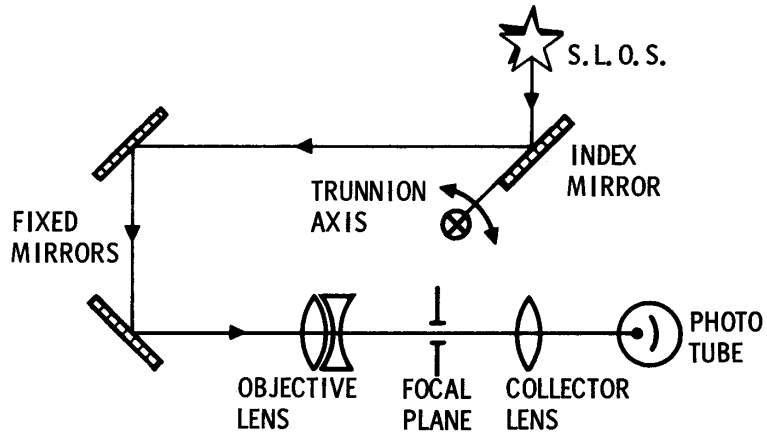
# TRACKER & HORIZON SENSOR LOCATION



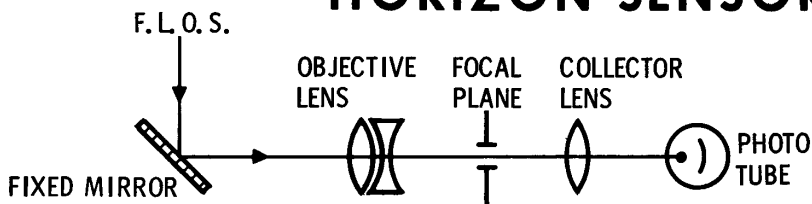
GN-212 




# TRACKER LINE OF SIGHT

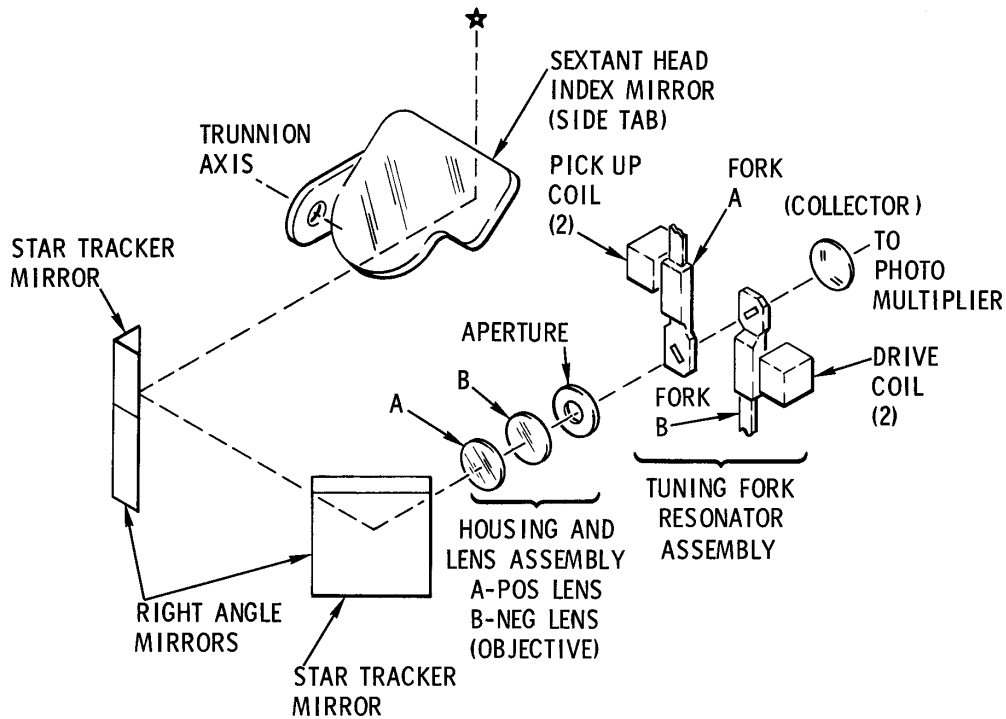



# HORIZON SENSOR



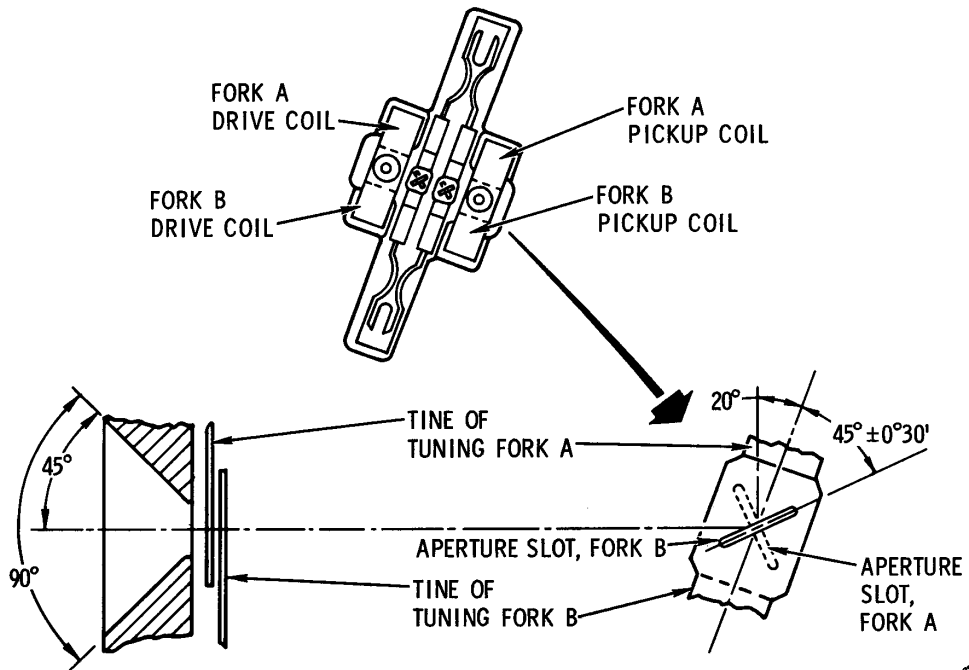
GN-214 

# TRACKER OPTICAL SYSTEM



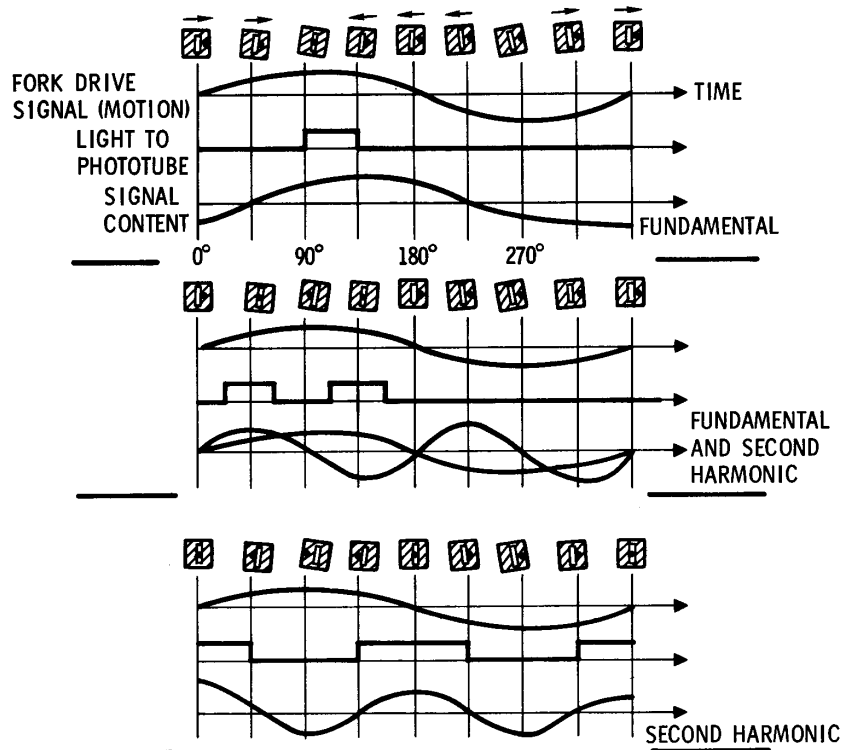
GN-230 

# TRACKER SCANNING MECHANISM



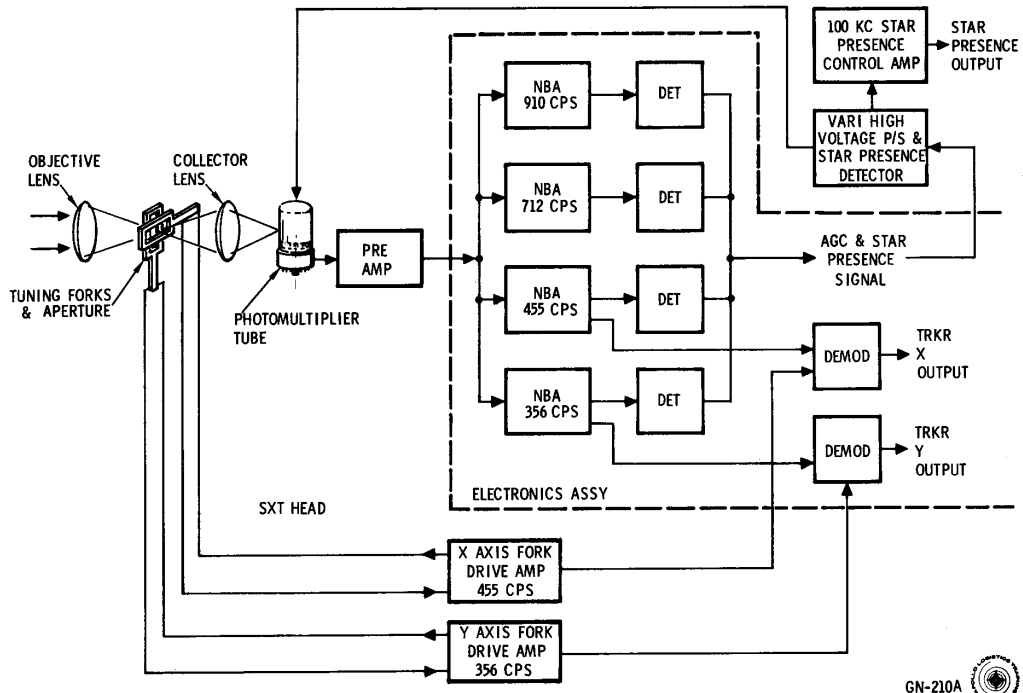
GN-213A

## STAR SIGNAL WAVEFORMS

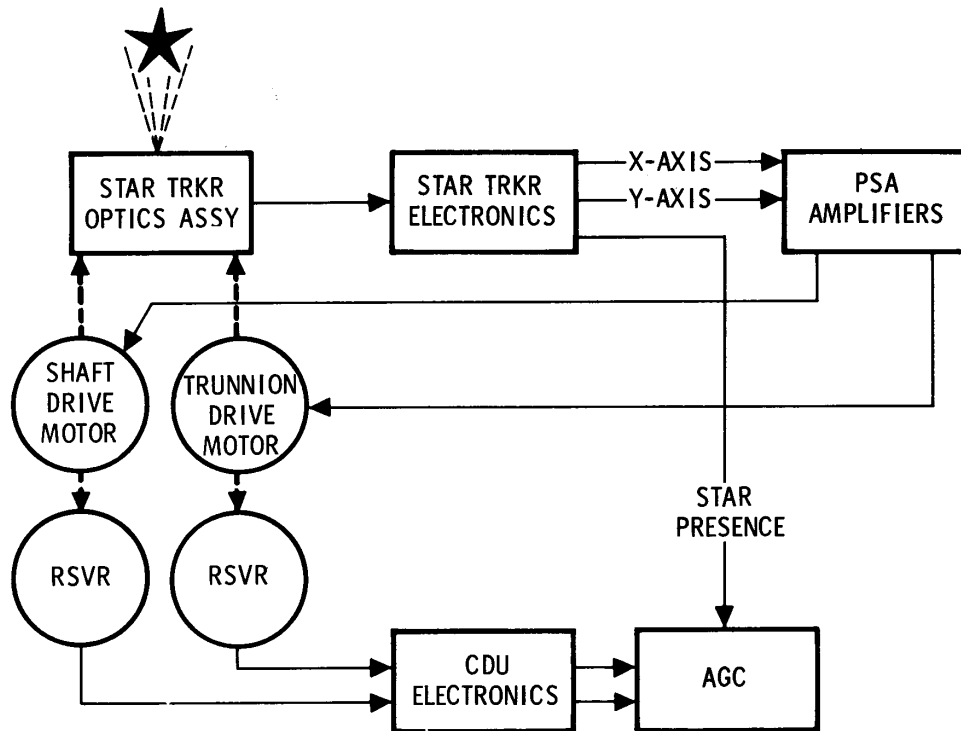


GN-217

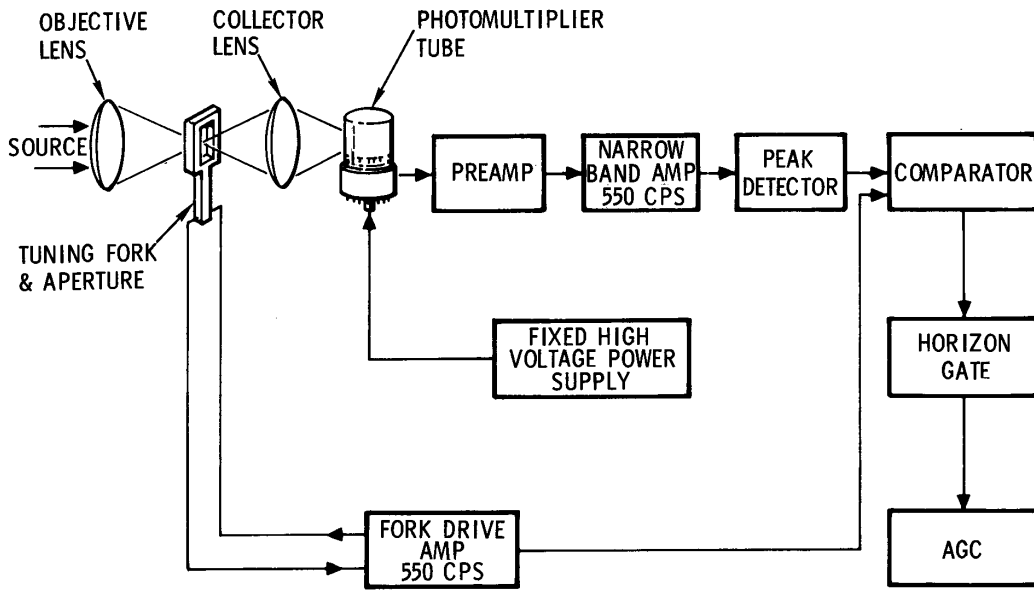
# STAR TRACKER



# STAR TRACKER MECHANIZATION

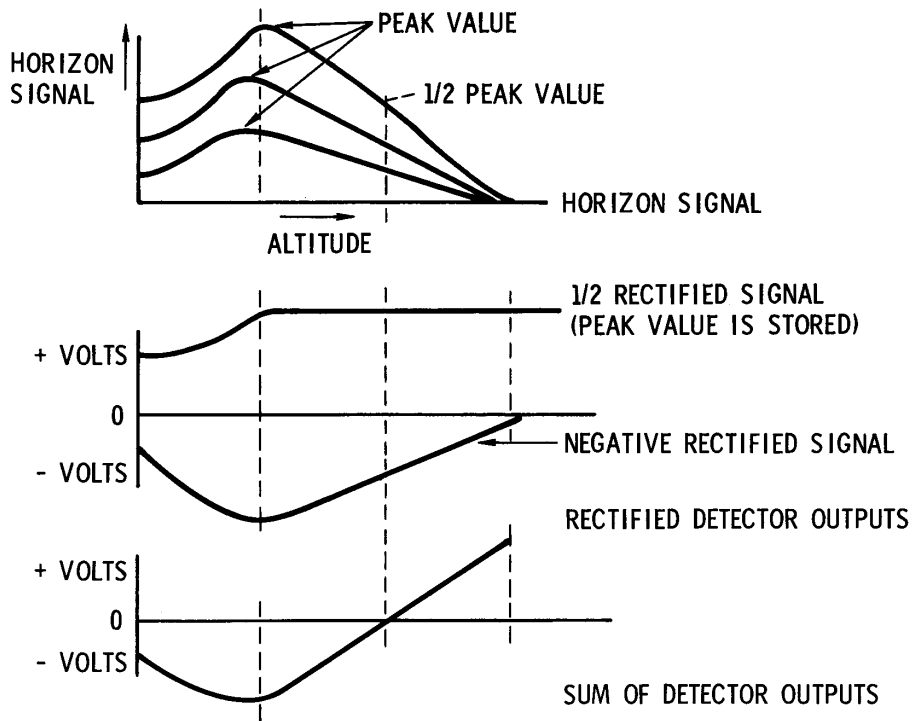



# HORIZON SENSOR




GN-209A 

# HORIZON SENSOR WAVEFORMS

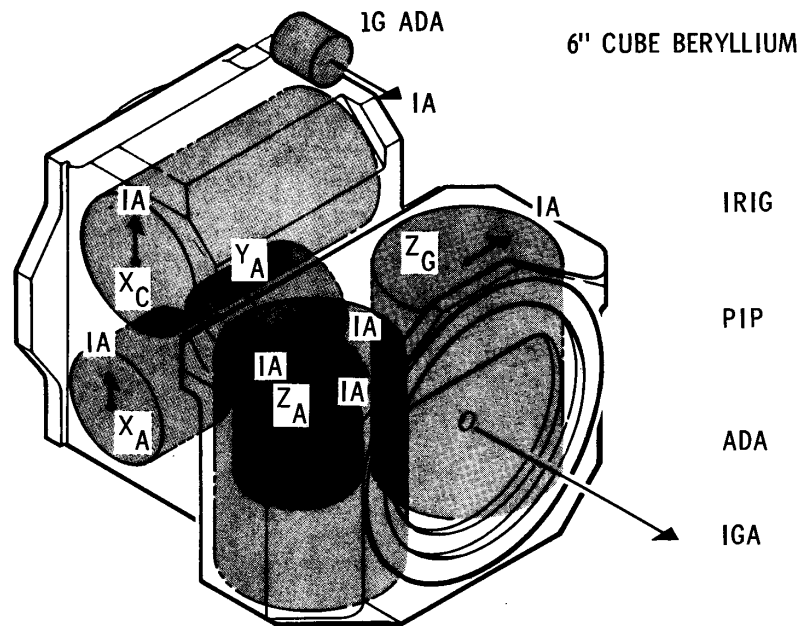


GN-218 

# INERTIAL SUBSYSTEM

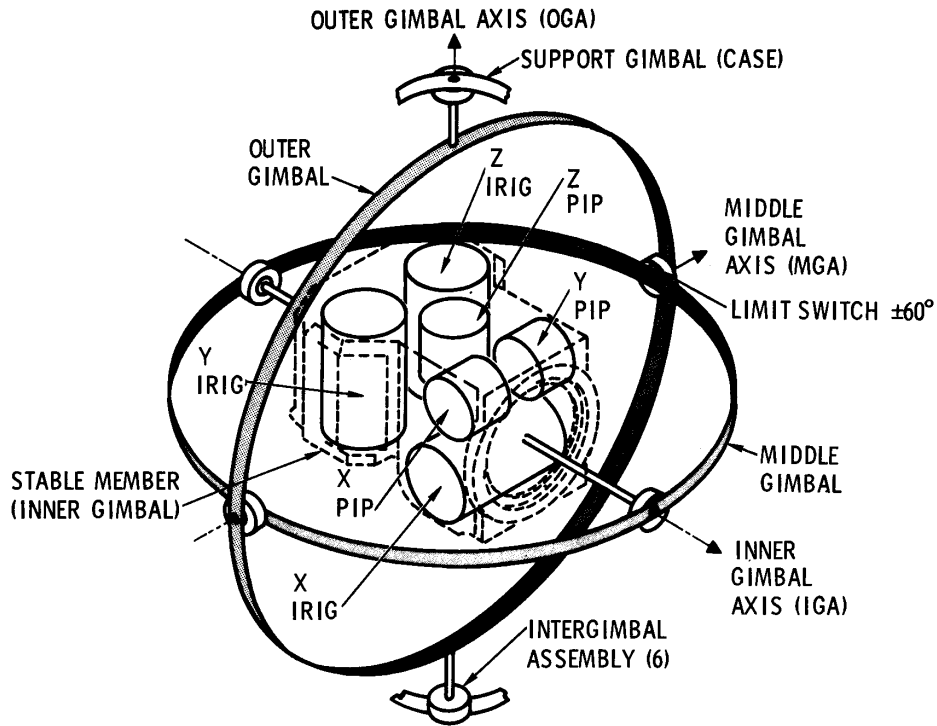
GN-221 

## APOLLO STABLE MEMBER CONFIGURATION



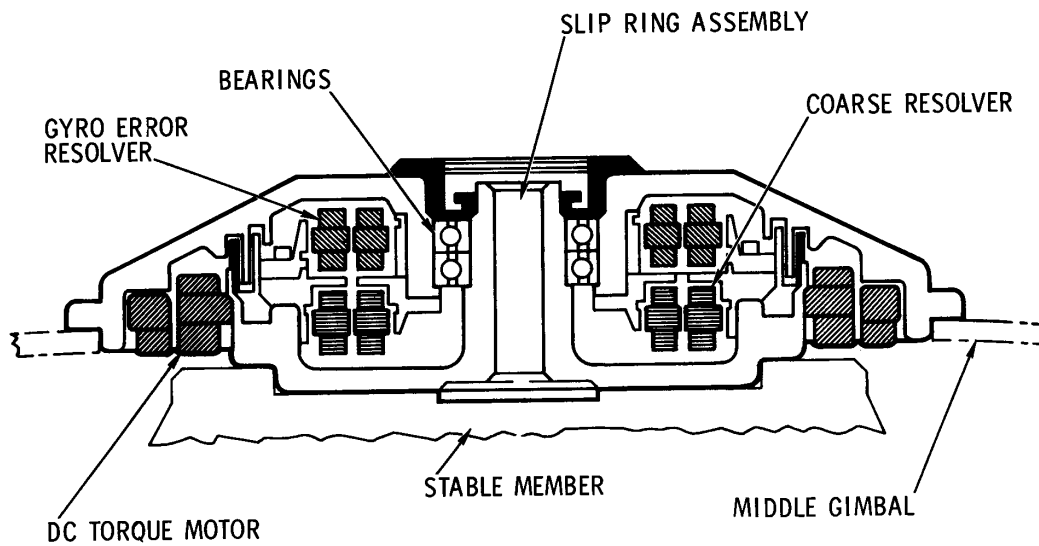
GN-9007A 

# IMU GIMBAL ASSEMBLY



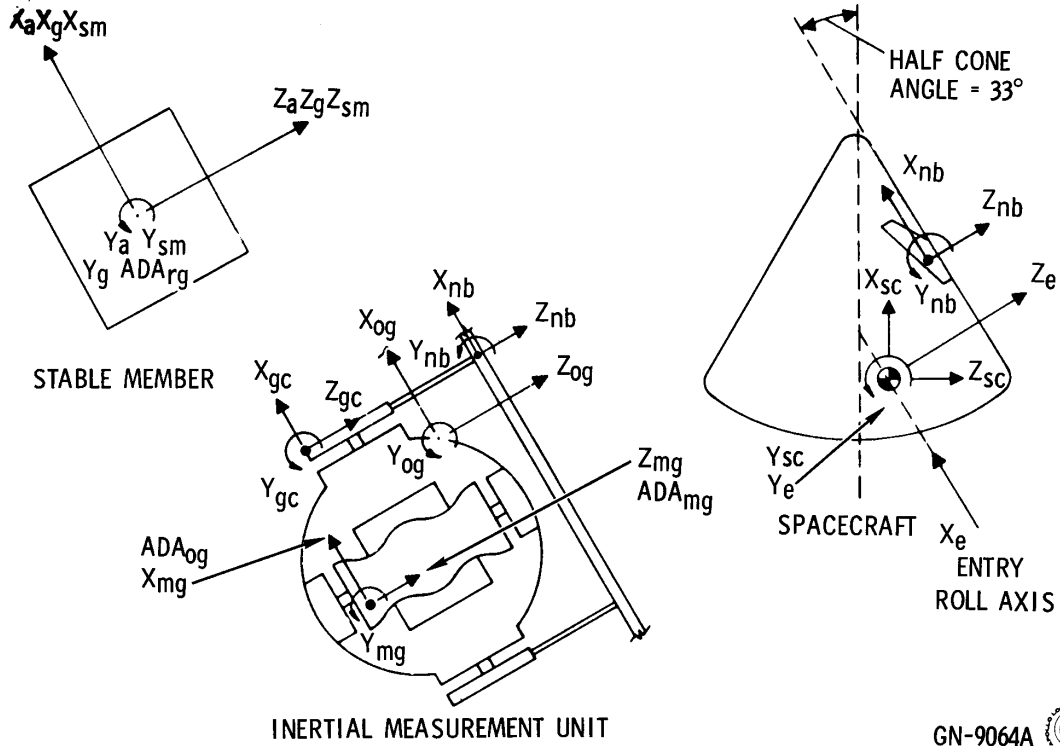
GN-9155A (◆)

# INTERGIMBAL ASSEMBLY

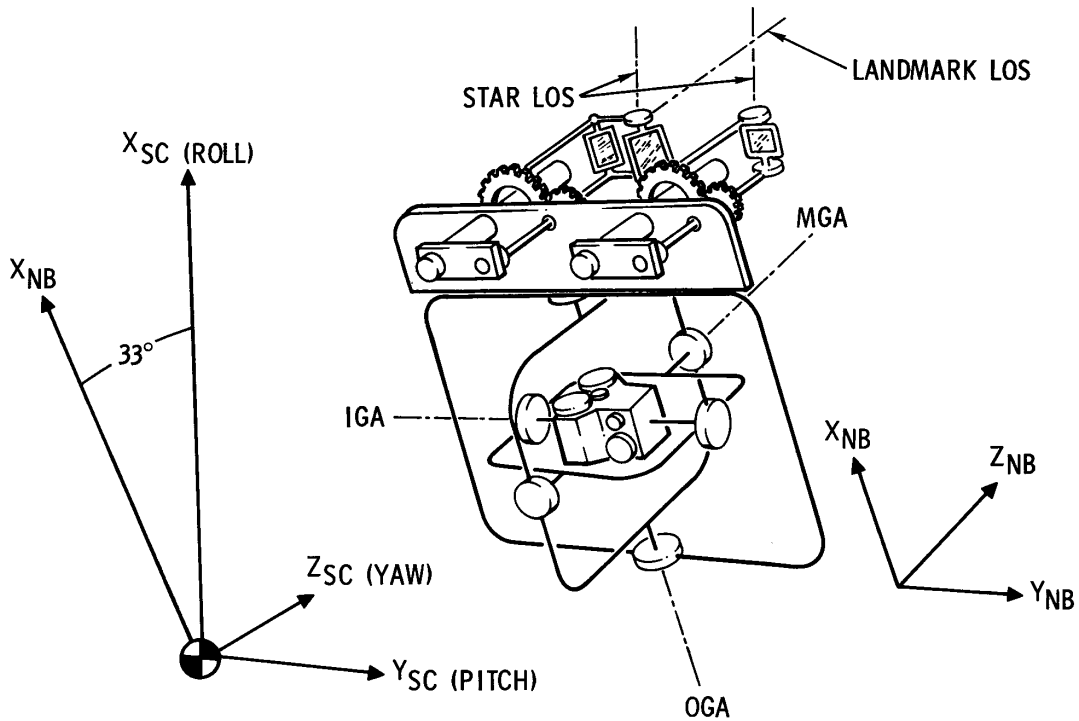


GN-9038A (◆)

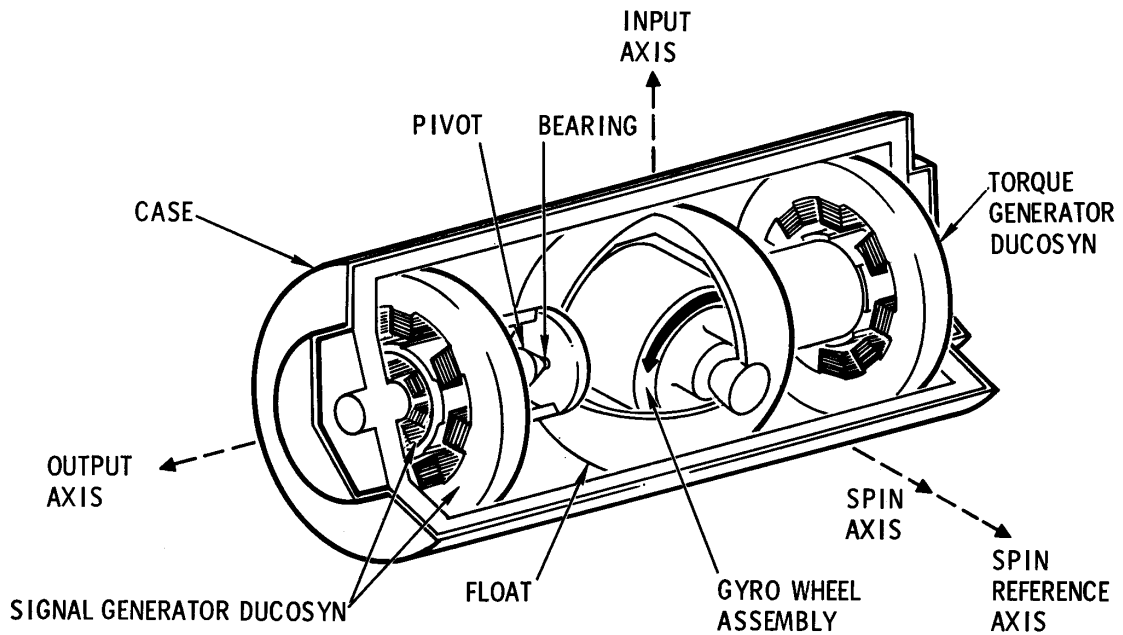
# ZERO AXIS ALIGNMENT



# G&N FUNCTIONAL SCHEMATIC

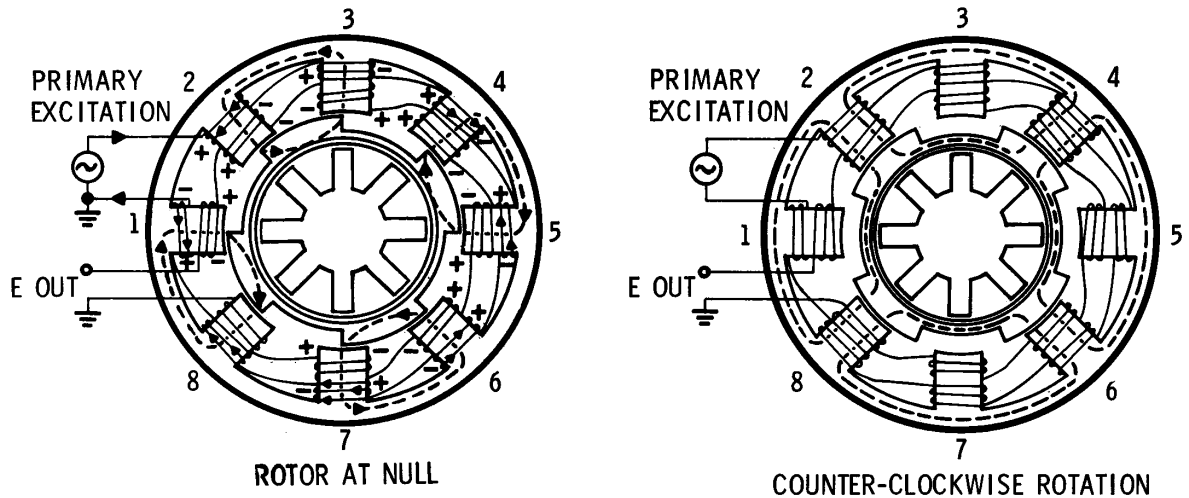



# 25 IRIG, SIMPLIFIED CUTAWAY VIEW



GN-240 

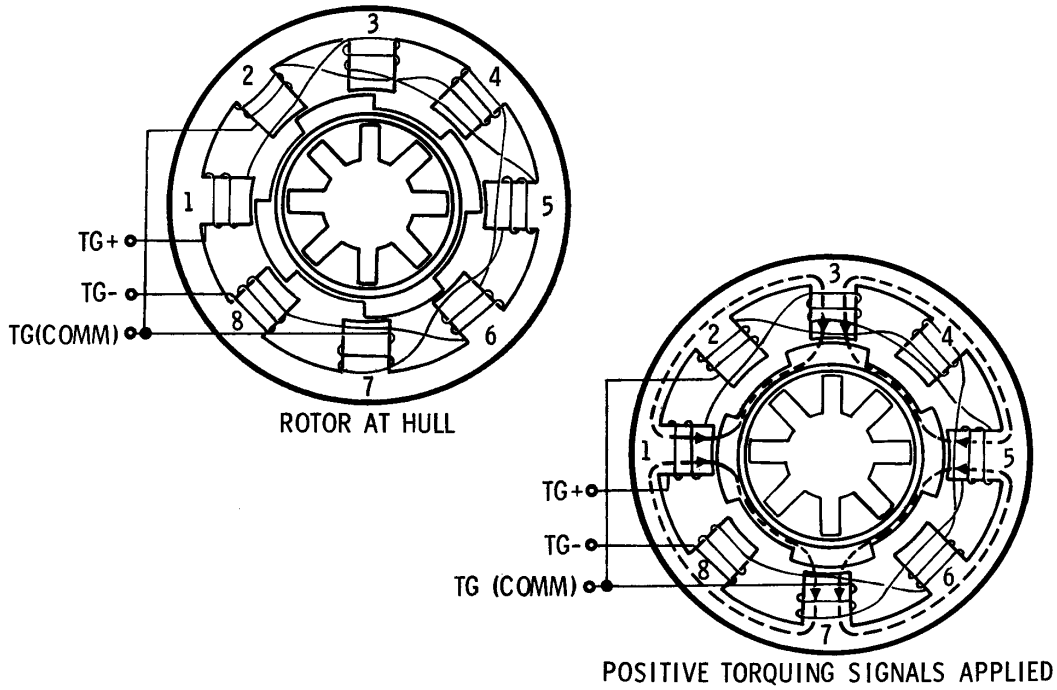
# DUCOSYN SIGNAL GENERATOR OPERATION




GN-239 

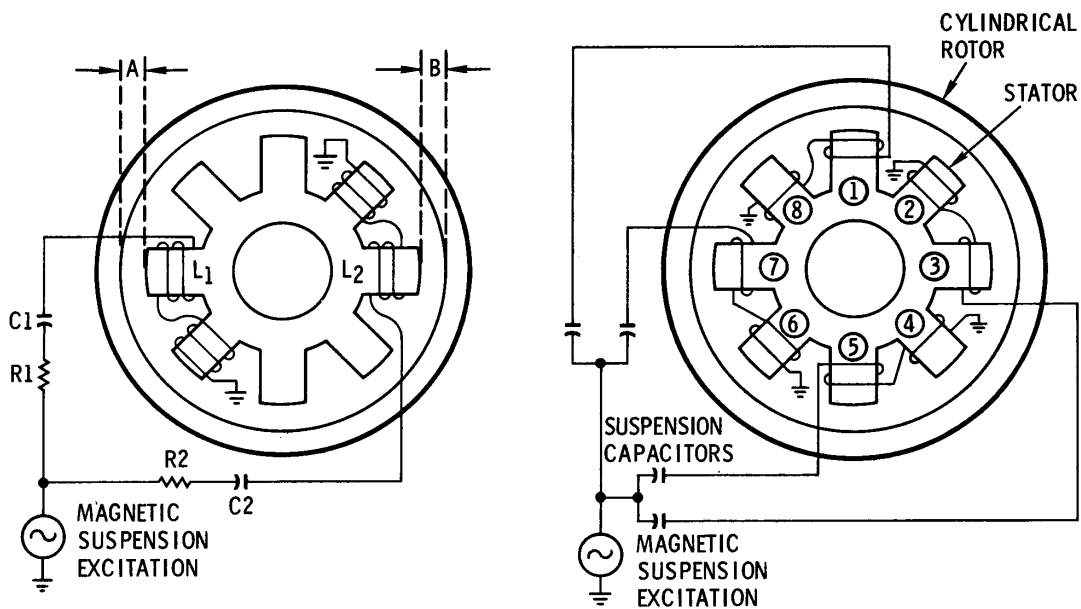



# DUCOSYN TORQUE GENERATOR OPERATION



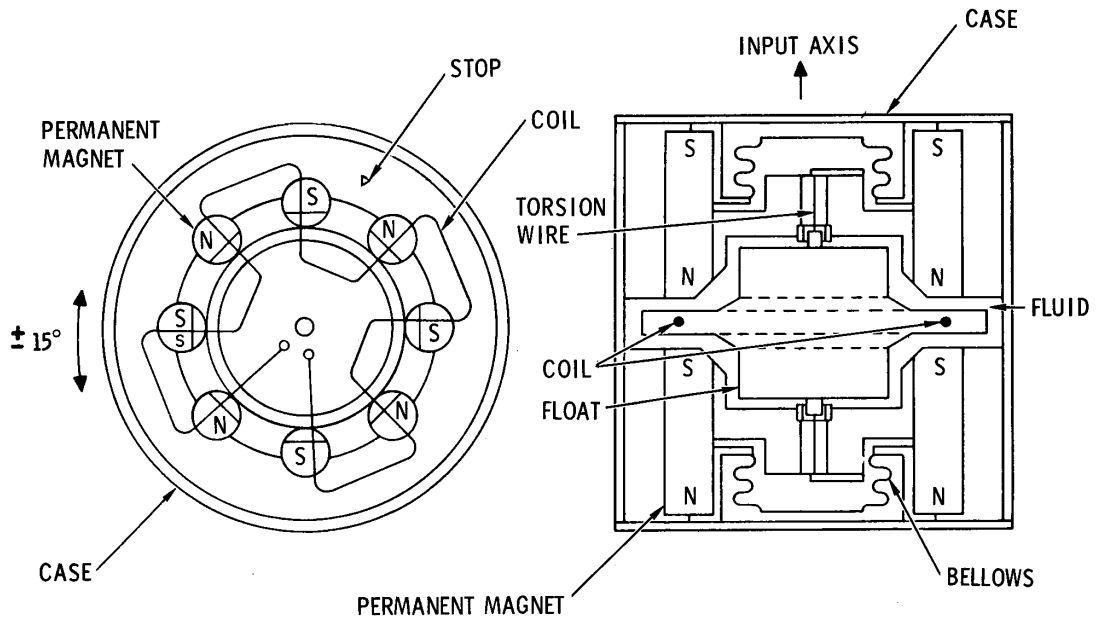
GN-238 

# MAGNETIC SUSPENSION



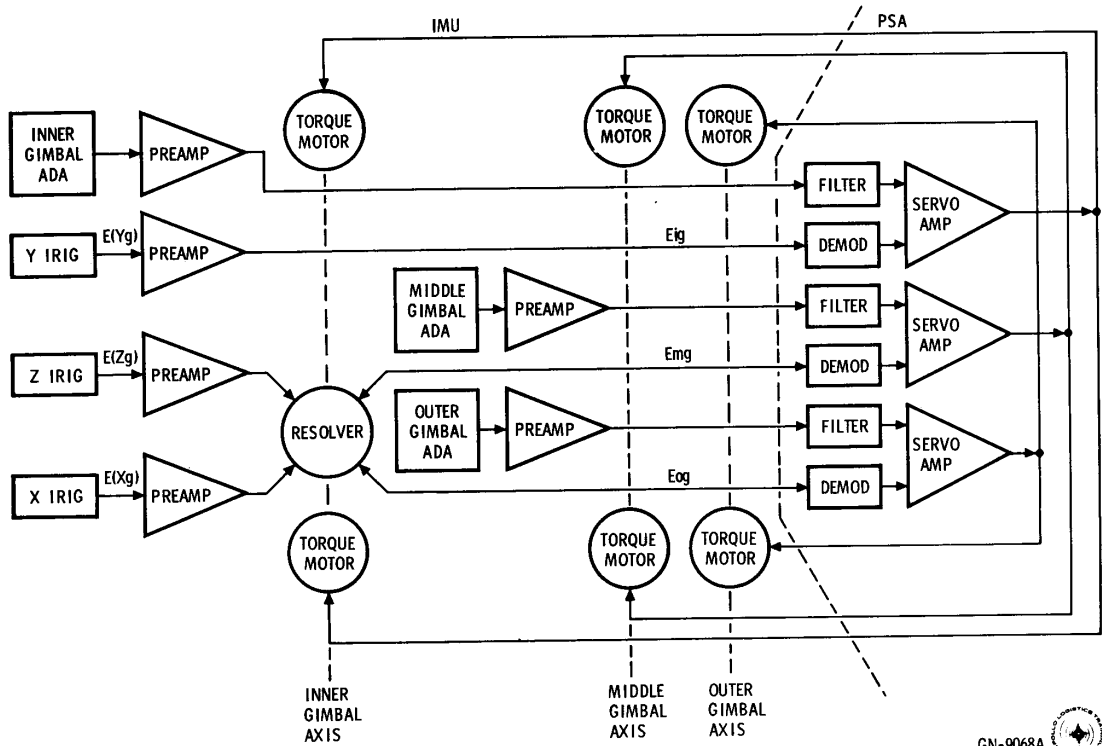
GN-237 

# ANGULAR DIFFERENTIATING ACCELEROMETER



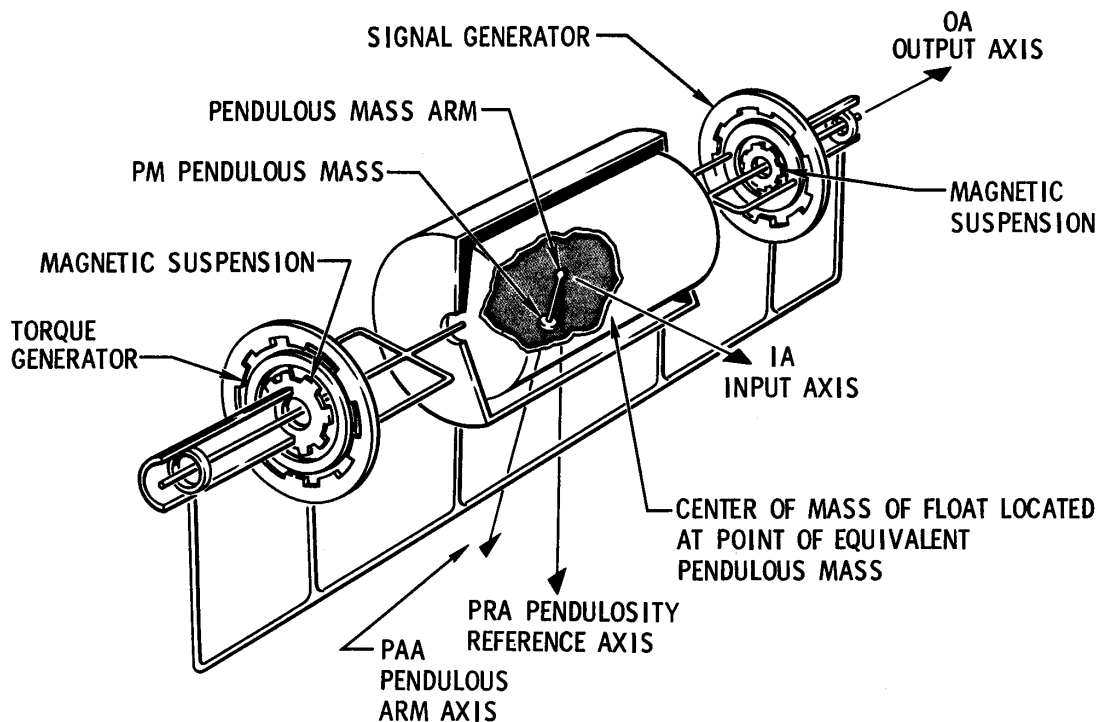
GN-9048A


# STABILIZATION LOOP



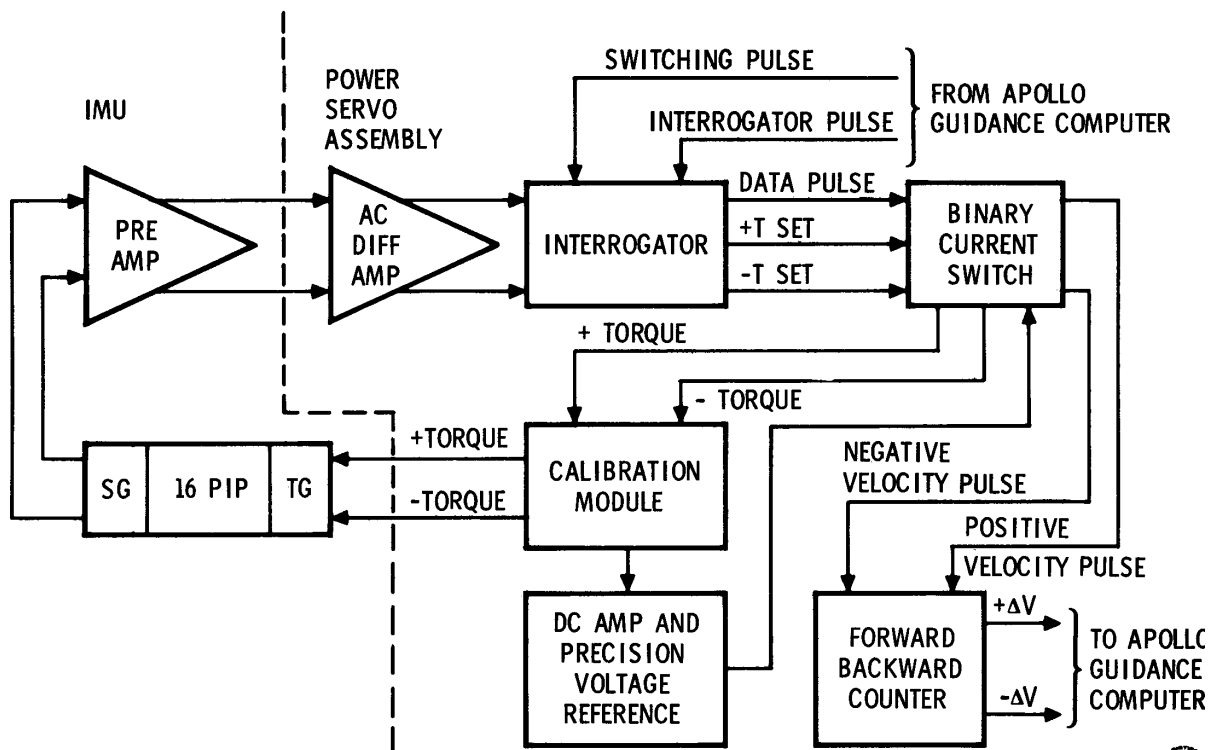
GN-9068A


# FLOATED PENDULUM UNIT



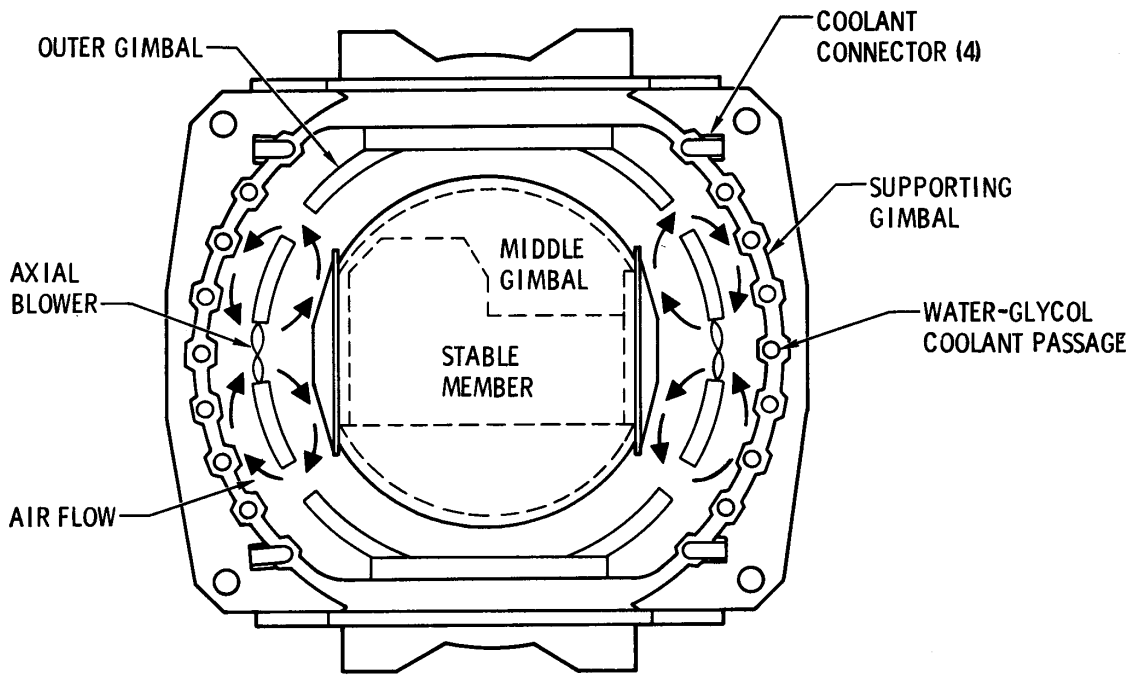
GN-179 

# ACCELEROMETER LOOP



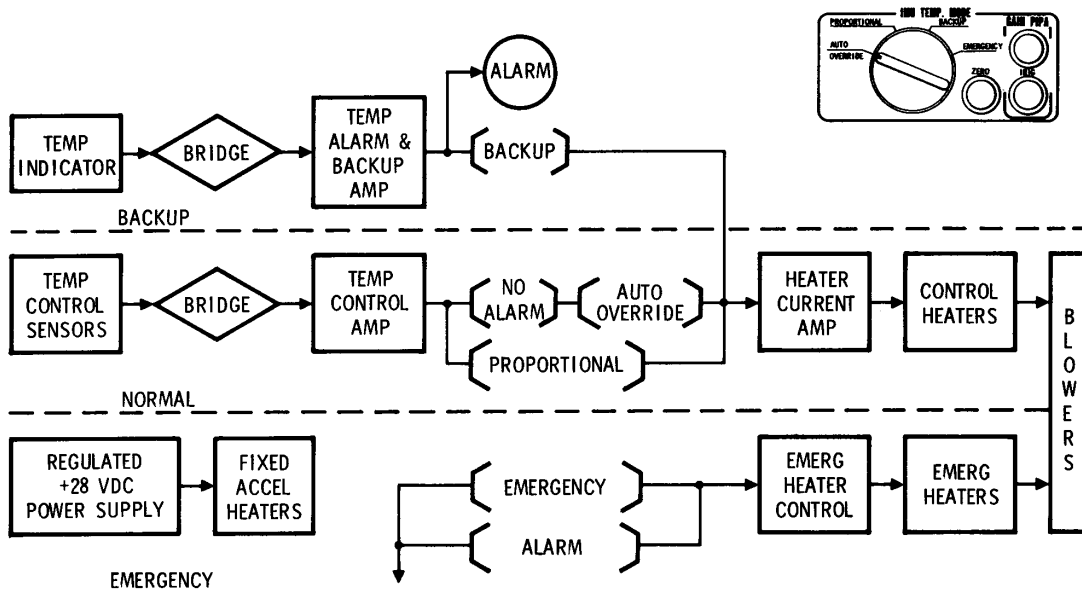
GN-9039A 

# FORCED CONVECTION IN IMU

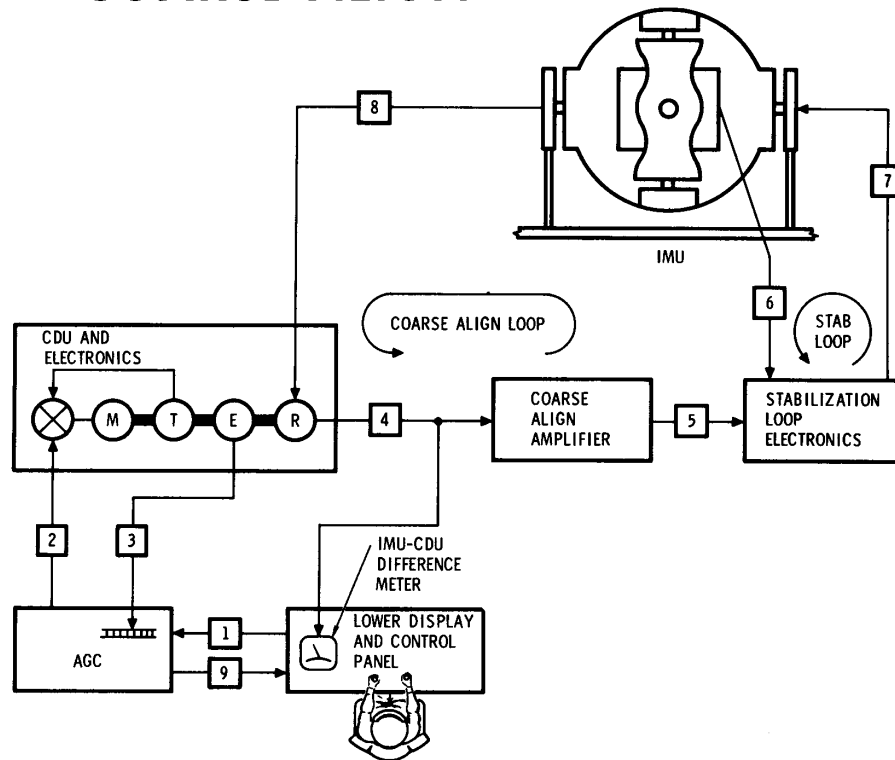


GN-9033

# IMU TEMPERATURE CONTROL

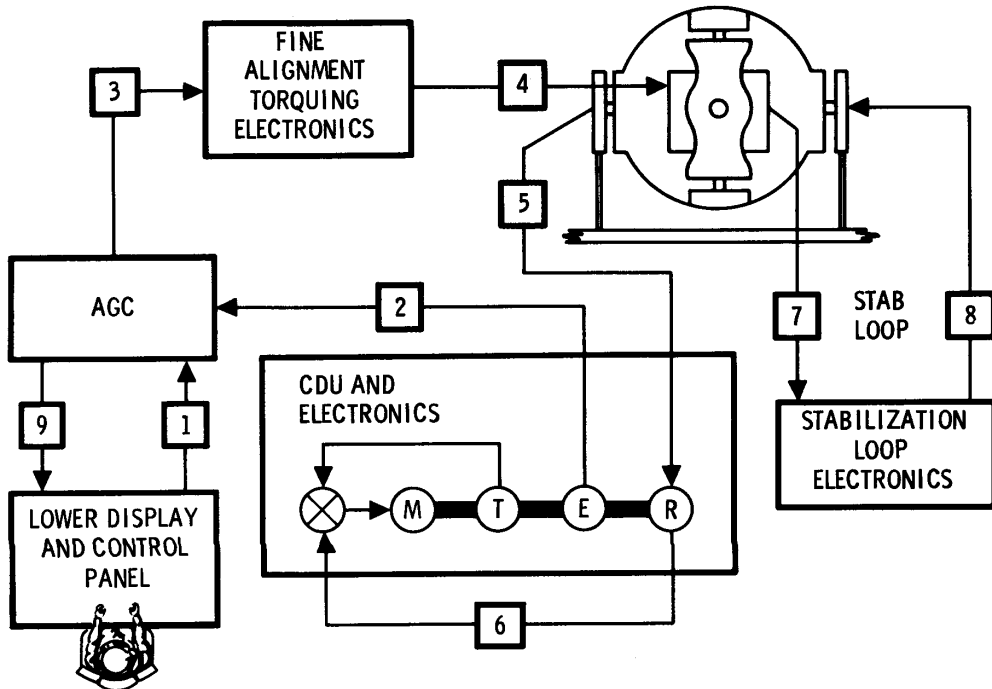


# COARSE ALIGN



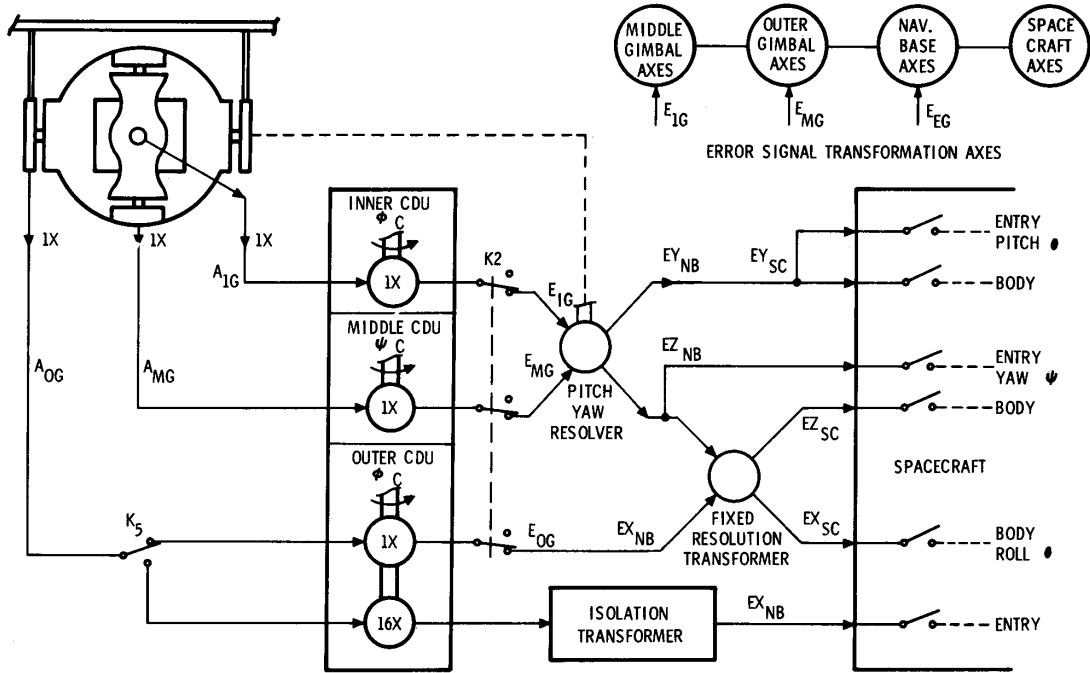
GN-9099A 


# FINE ALIGN



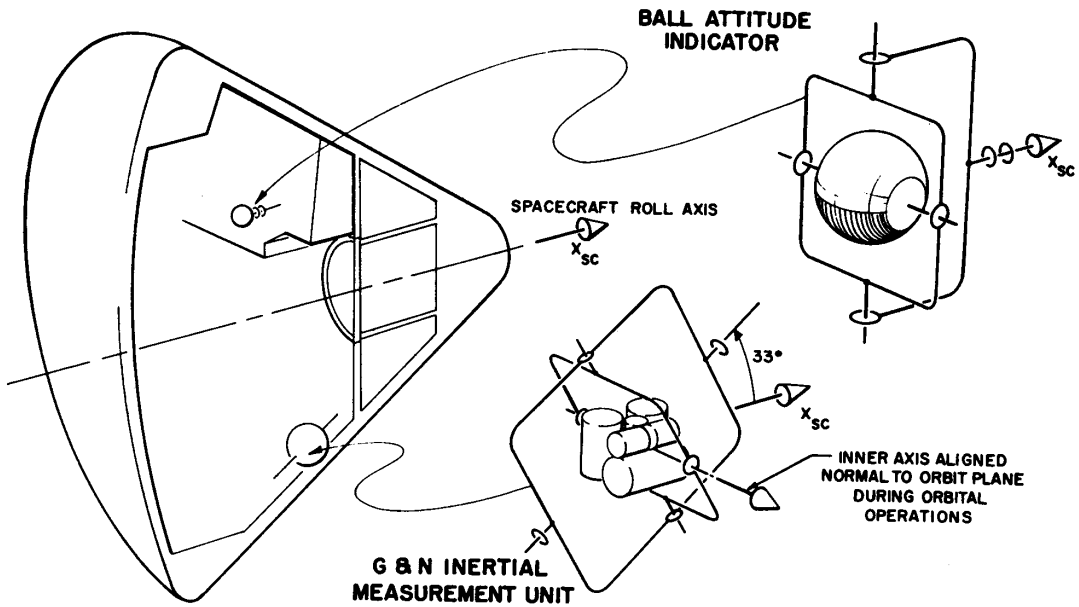
GN-9104


# ATTITUDE ERROR TRANSFORMATION



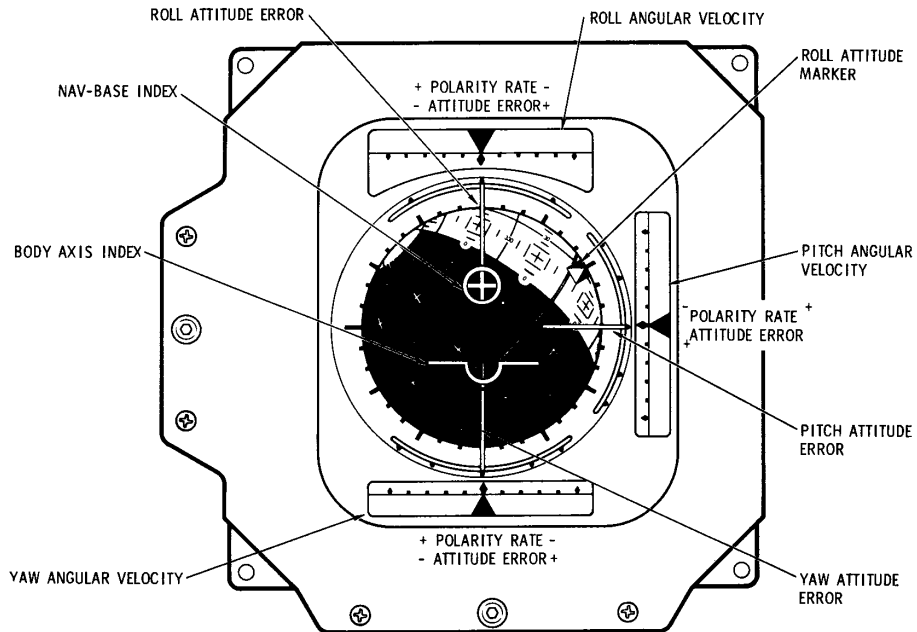
GN-9144A 

# RELATIONSHIP OF BALL INDICATOR AND IMU



GN-184 

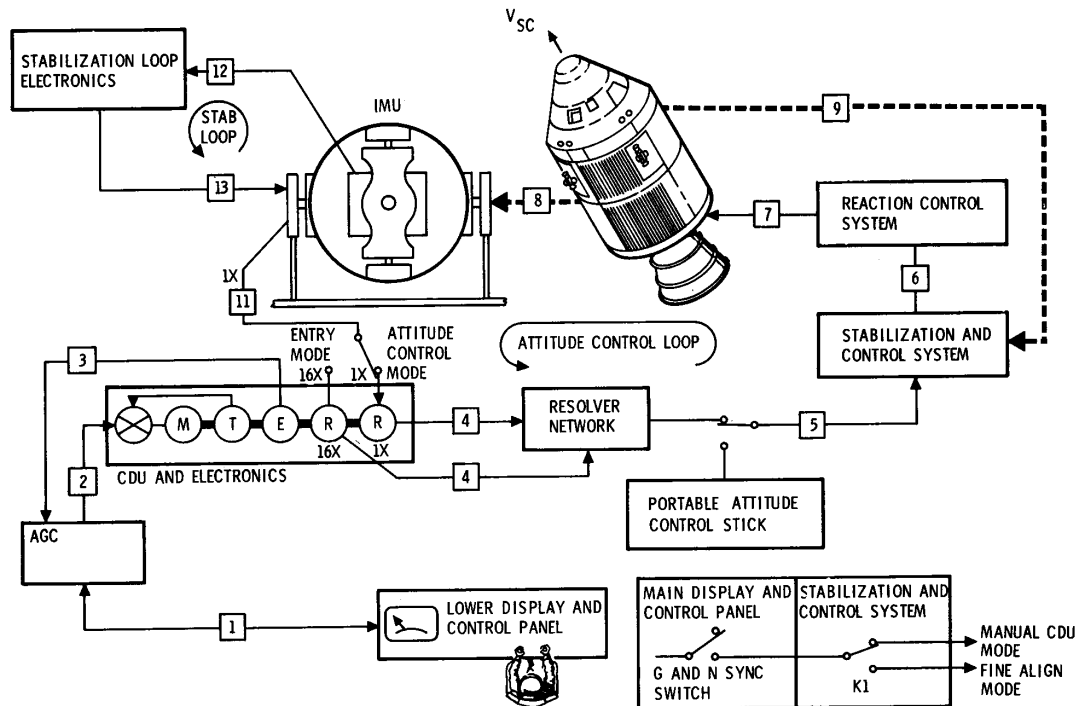
# FLIGHT DIRECTOR ATTITUDE INDICATOR



- NOTES:
1. ATTITUDE ERROR = ATTITUDE DESIRED - ACTUAL ATTITUDE.
  2. THE BALL IS OF THE INSIDE-OUT CONVENTION.
  3. EULER ANGLE CONVENTION IS PITCH, YAW, ROLL.
  4. THE BALL ATTITUDE SHOWN IS PITCH 345°, YAW 335°, AND ROLL 300°, WITH RESPECT TO THE NAVIGATION BASE INDEX.

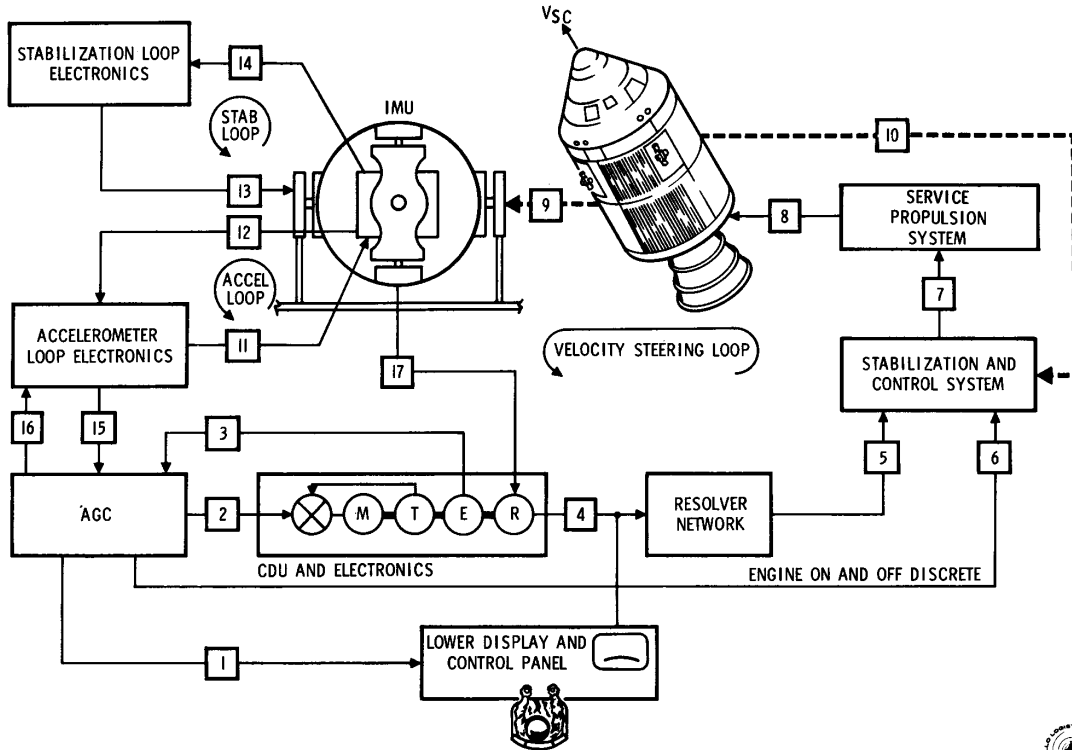
SCS-100B 


# SPACECRAFT ATTITUDE CONTROL



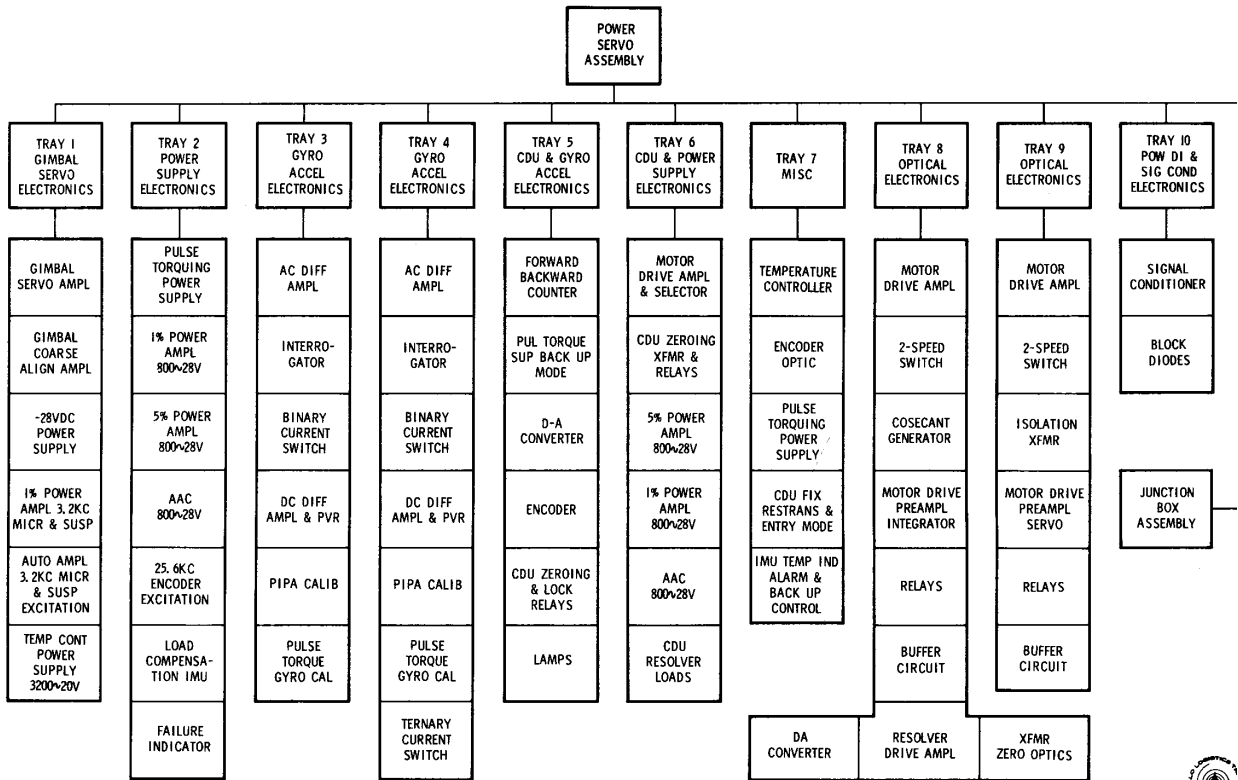
GN-9150A 

# SPACECRAFT THRUST VECTOR CONTROL



GN-9149A 

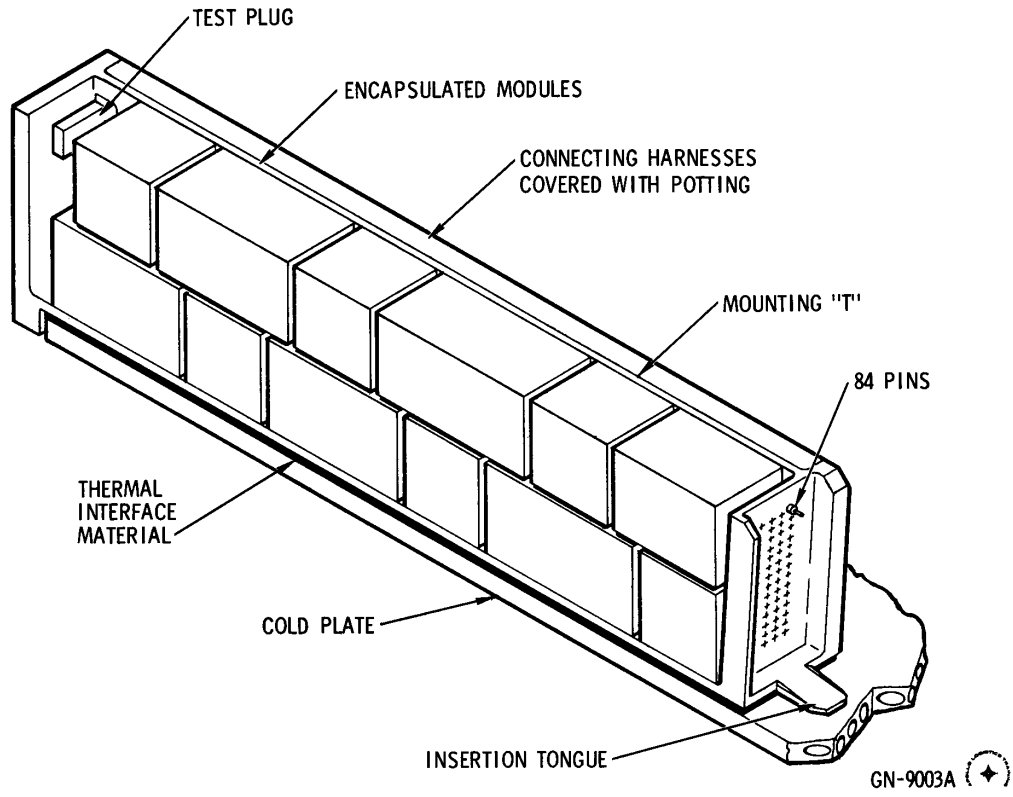
# PSA FAMILY TREE



GN-9044A 

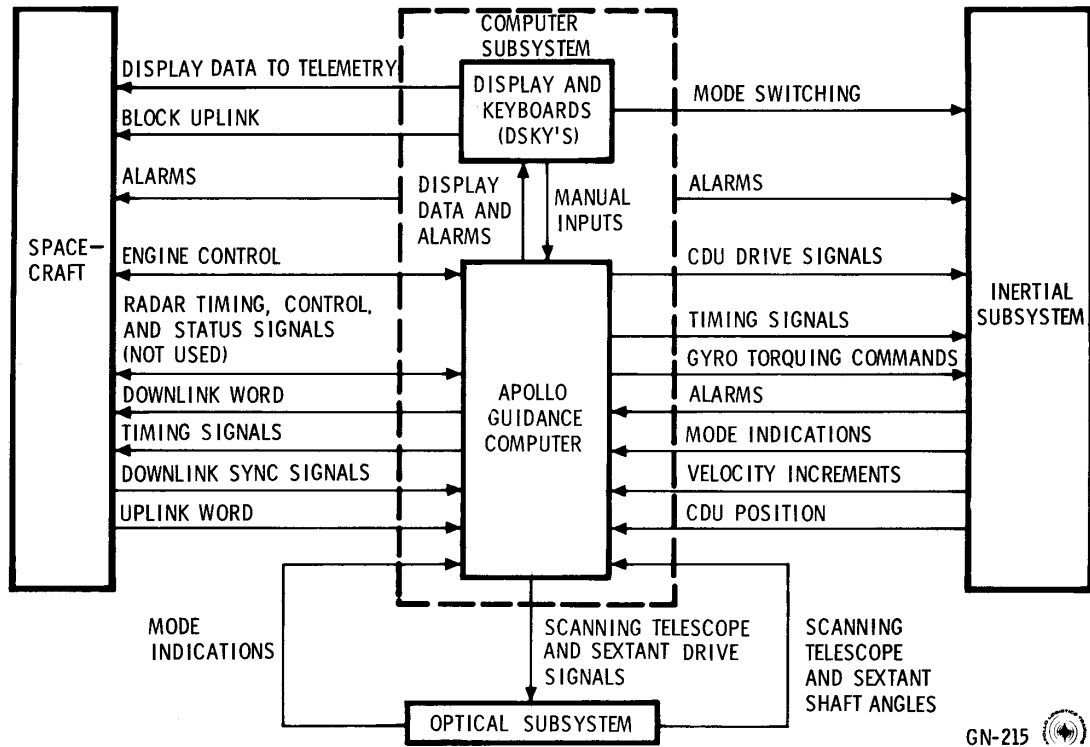


# PSA TRAY

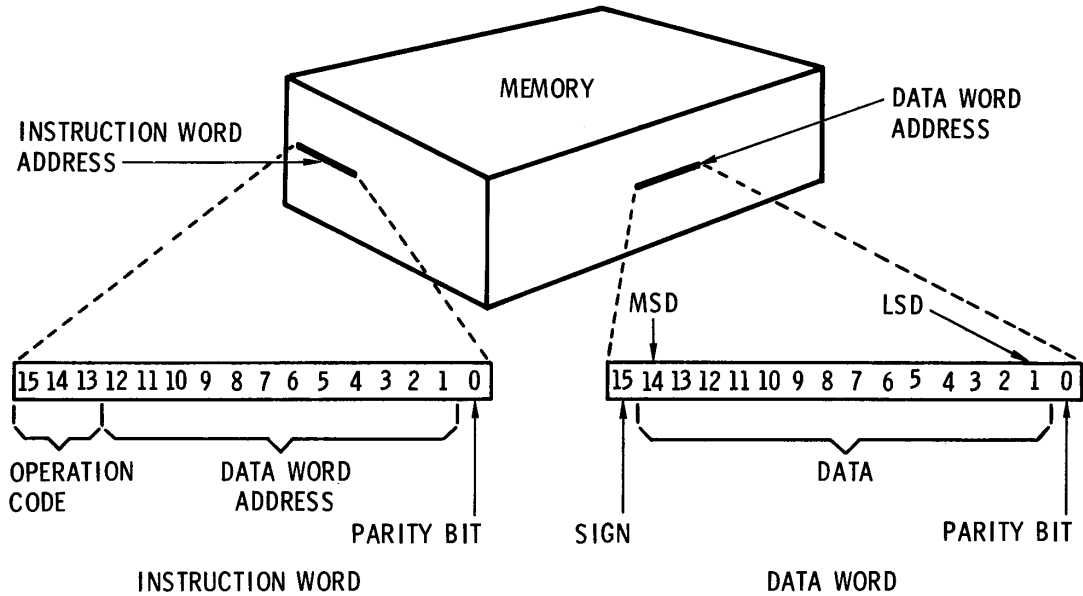


# COMPUTER SUBSYSTEM

# COMPUTER SUBSYSTEM, GENERAL INTERFACE

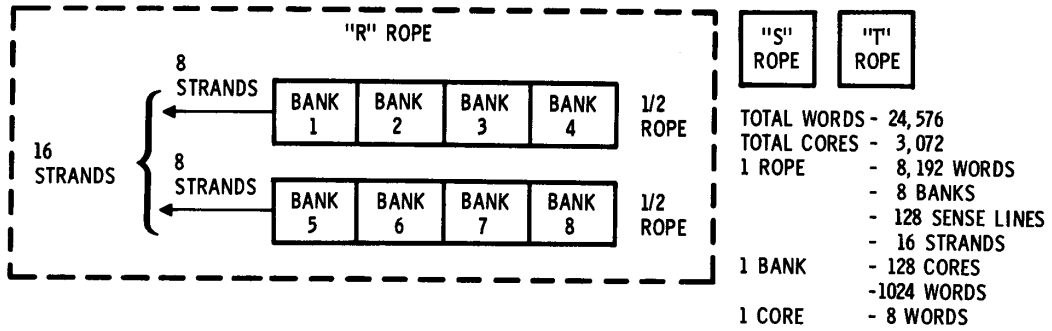


# AGC WORD FORMAT



NOTE:  
EACH INSTRUCTION AND DATA  
WORD HAS ITS OWN ADDRESS  
WHICH DEFINES WHERE IT IS  
LOCATED IN THE MEMORY.

# FIXED MEMORY ORGANIZATION

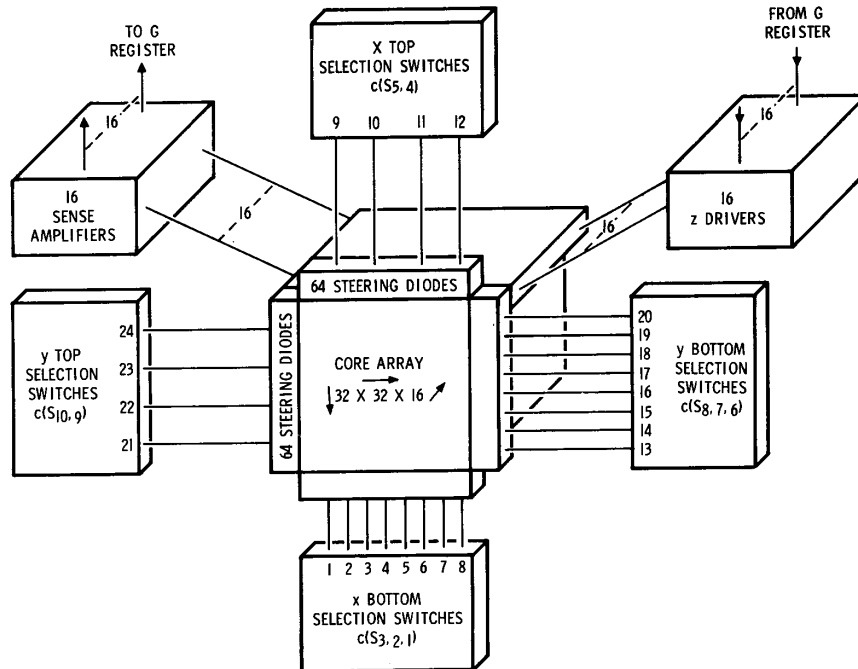



## WORD SELECTION

1. SELECT 1 OF 3 ROPES (8,192 WDS OF 24,576 WDS)
2. SELECT 2 OF 8 BANKS (2,048 WDS OF 8,192 WDS)
3. SELECT 2 OF 256 CORES (16 WDS OF 2,048 WDS)
4. SELECT 1 OF 16 STRANDS (1 WD OF 16 WDS)

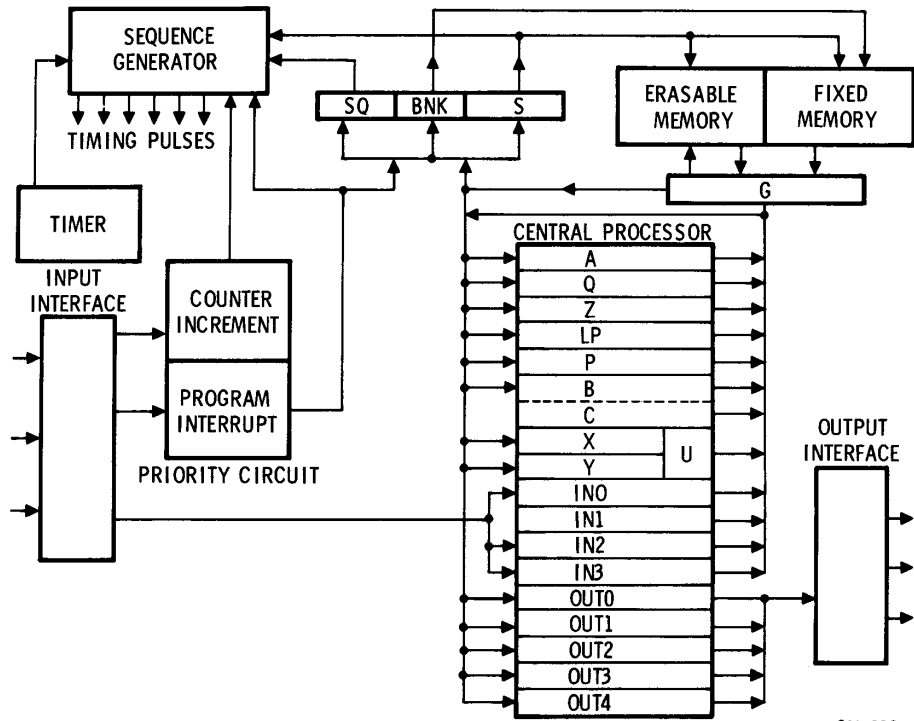
GN-9021B 

# ADDRESSING, READING, AND WRITING INTO CORE ARRAY



GN-9020A 

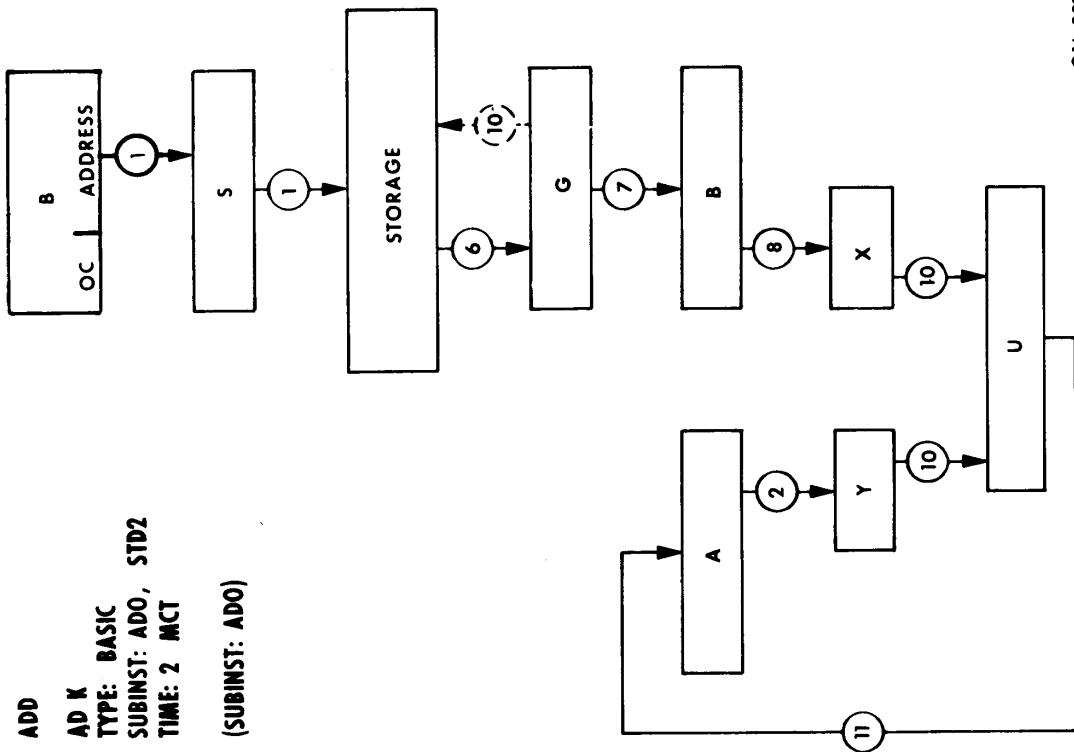
# AGC GENERAL BLOCK DIAGRAM



GN-9026A



30



ADD

AD K

TYPE: BASIC

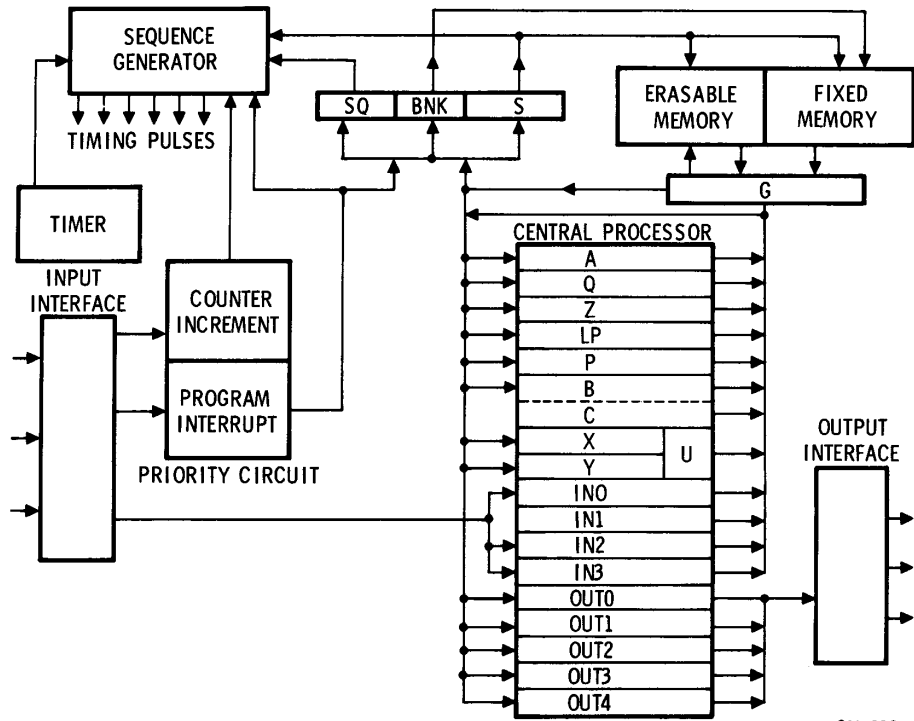
SUBINST: ADO, STD2

TIME: 2 MCT

(SUBINST: ADO)

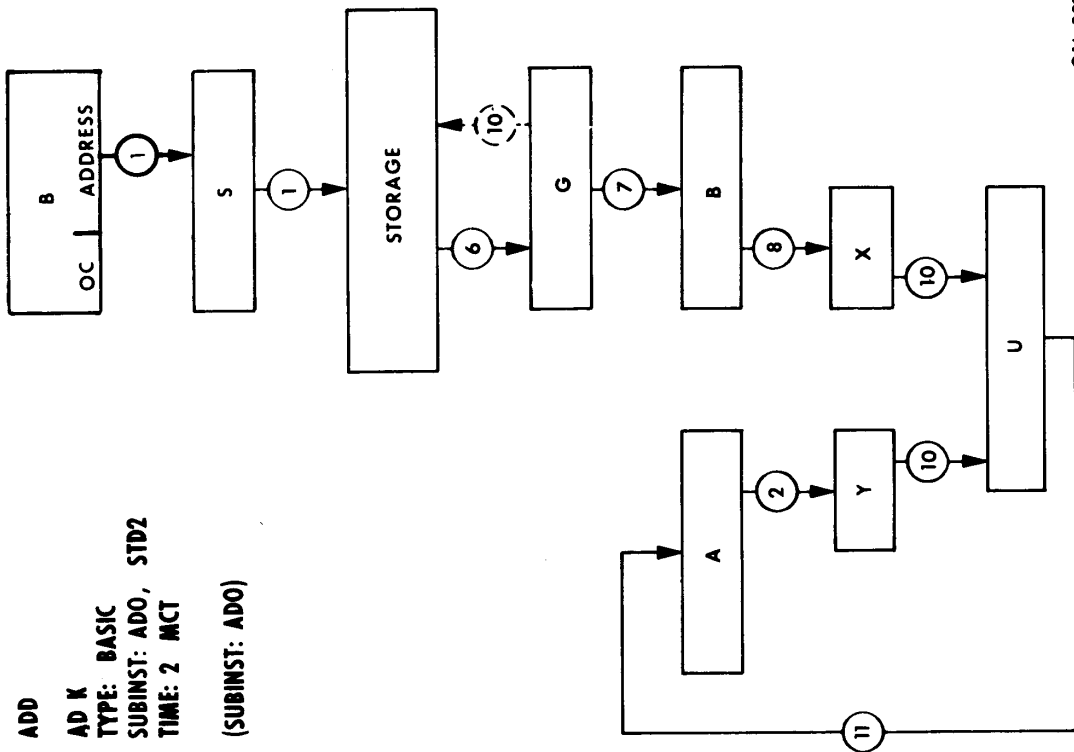
GN-9030

# AGC GENERAL BLOCK DIAGRAM



GN-9026A

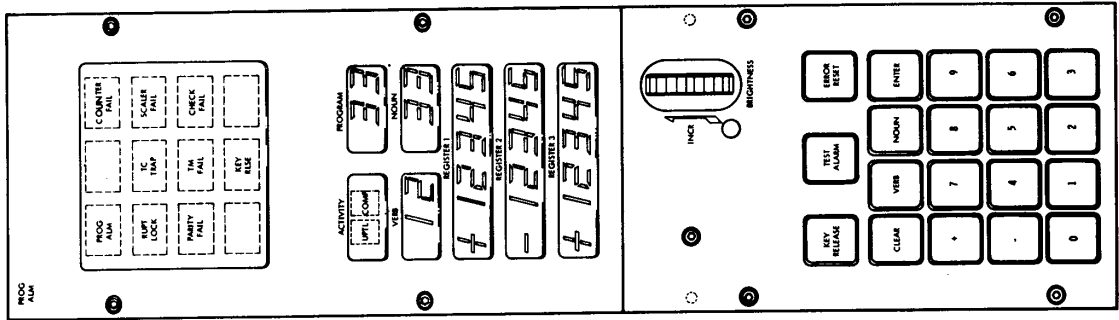
30



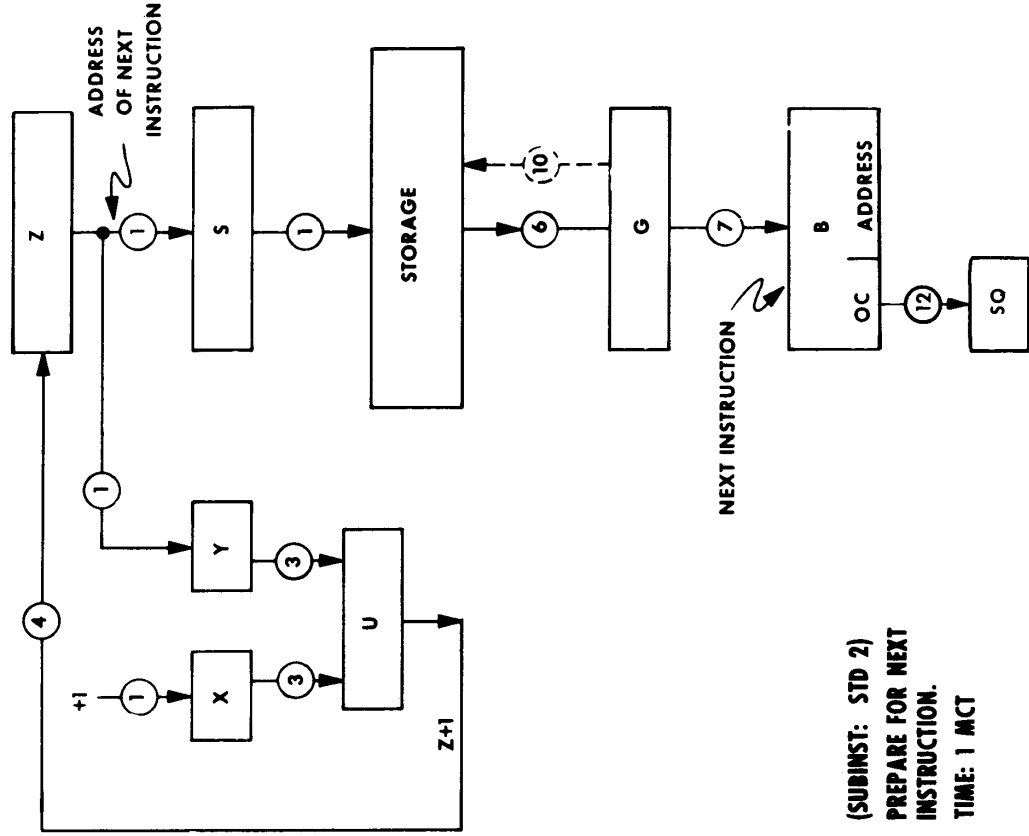
ADD  
 AD K  
 TYPE: BASIC  
 SUBINST: ADO, STD2  
 TIME: 2 MCT  
 (SUBINST: ADO)

GN-9030

# AGC DISPLAY & KEYBOARD



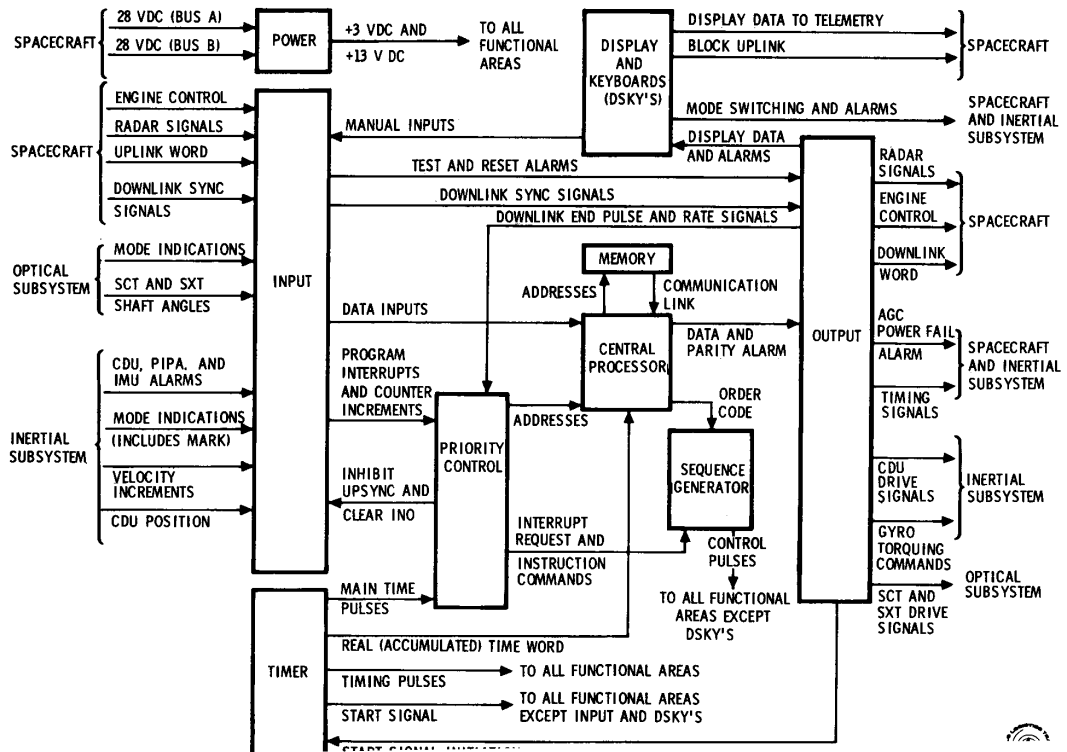
GN-102C



(SUBINST: STD 2)  
 PREPARE FOR NEXT  
 INSTRUCTION.  
 TIME: 1 MCT

GN-9028

# COMPUTER SUBSYSTEM



## GUIDANCE & NAVIGATION ABBREVIATIONS

ACSP	A.C. SPARK PLUG	LOS	LINE OF SIGHT
ADA	ANGULAR DIFFERENTIATING ACCELEROMETER	LLOS	LANDMARK LINE OF SIGHT
AGC	APOLLO GUIDANCE COMPUTER	LSB	LEAST SIGNIFICANT BIT
AGE	APOLLO GUIDANCE EQUIPMENT	MGA	MIDDLE GIMBAL AXIS
AMR	ATLANTIC MISSILE RANGE	MIT	MASSACHUSETTS INSTITUTE OF TECHNOLOGY
CDU	COUPLING DISPLAY UNIT	MAG AMP	MAGNETIC AMPLIFIER
c.g.	CENTER OF GRAVITY	MSB	MOST SIGNIFICANT BIT
CSS	COMPUTER SUB SYSTEM	M&DV	MAP & DATA VIEWER
DNLK	DOWNLINK	NVB OR NB	NAVIGATION BASE
DSPY	DISPLAY	OGA	OUTER GIMBAL AXIS
DSKY	DISPLAY & KEYBOARD	OA	OUTPUT AXIS
ECS	ENVIRONMENT CONTROL SYSTEM	OSS	OPTICAL SUB SYSTEM
E/M	ERASABLE MEMORY	PIP OR	PULSED INTEGRATING PENDULOUS
EOI	EARTH ORBIT INJECTION	PIPA	ACCELEROMETER
EPS	ELECTRICAL POWER SYSTEM	PSA	POWER SERVO ASSEMBLY
FDAI	FLIGHT DIRECTOR ATTITUDE INDICATOR	PRA	PENDULOSITY REFERENCE AXIS
F/M	FIXED MEMORY	RCS	REACTION CONTROL SYSTEM
g.c.	GIMBAL CASE	RSVR	RESOLVER
IA	INPUT AXIS	SA	SPIN AXIS
IRIG	INERTIAL REFERENCE INTEGRATING GYRO	S/C	SPACECRAFT
IGA	INNER GIMBAL AXIS	SLOS	STAR LINE OF SIGHT
IMU	INERTIAL MEASUREMENT UNIT	SCT	SCANNING TELESCOPE
ISS	INERTIAL SUB SYSTEM	SCS	STABILIZATION & CONTROL SYSTEM
IU	INSTRUMENT UNIT	SDOF	SINGLE DEGREE OF FREEDOM
G&N	GUIDANCE & NAVIGATION	SM	STABLE MEMBER
KYBD	KEYBOARD	SRA	SPIN REFERENCE AXIS
LNDMK	LANDMARK	SPS	SERVICE PROPULSION SYSTEM
LOI	LUNAR ORBIT INJECTION	SXT	SPACE SEXTANT

TEI	TRANS EARTH INJECTION
TACH	TACHOMETER
TLI	TRANS LUNAR INJECTION
TRKR	TRACKER
TVC	THRUST VECTOR CONTROL
T/M	TELEMETRY
UPLK	UPDATE LINK
V OR	CHANGE IN VELOCITY
DELTA V	