

*
LEM

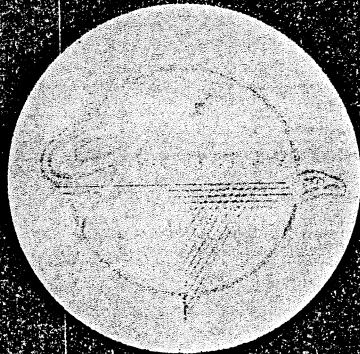
GUIDANCE, NAVIGATION AND CONTROL SUBSYSTEM

COURSE NO. 30315, 30415

STUDY GUIDE

FOR TRAINING PURPOSES ONLY

DATE MARCH 1, 1966



IMU CAGE
ON

OFF

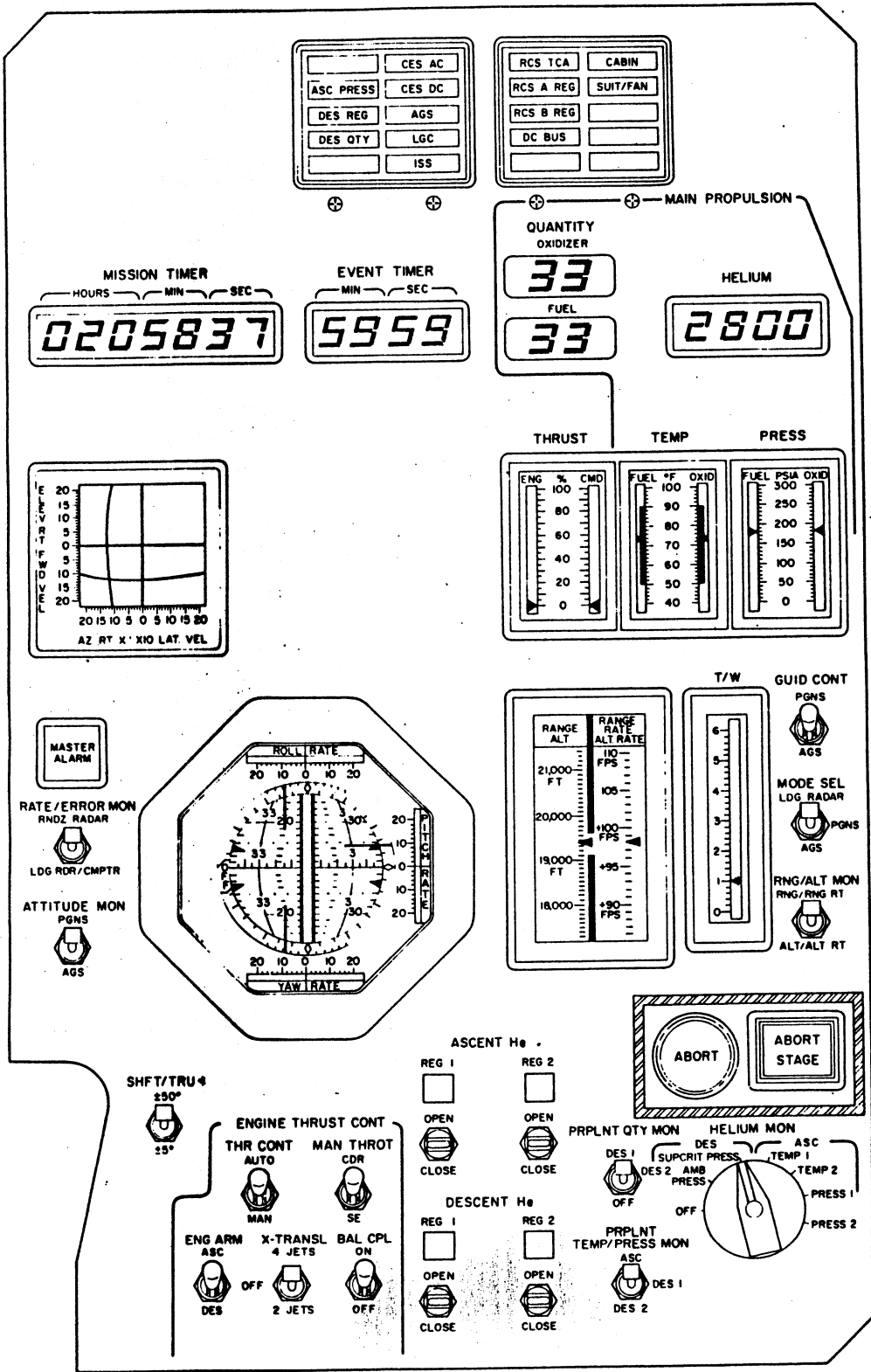
UPLINK ACTY	TEMP
NO ATT	GIMBAL LOCK
STBY	PROG
KEY REL	RESTART
OPP ERR	TRACKER

CMPTR ACTY	PROG
	13
VERB	NOUN
33	13
-92311	
+13270	
-46514	

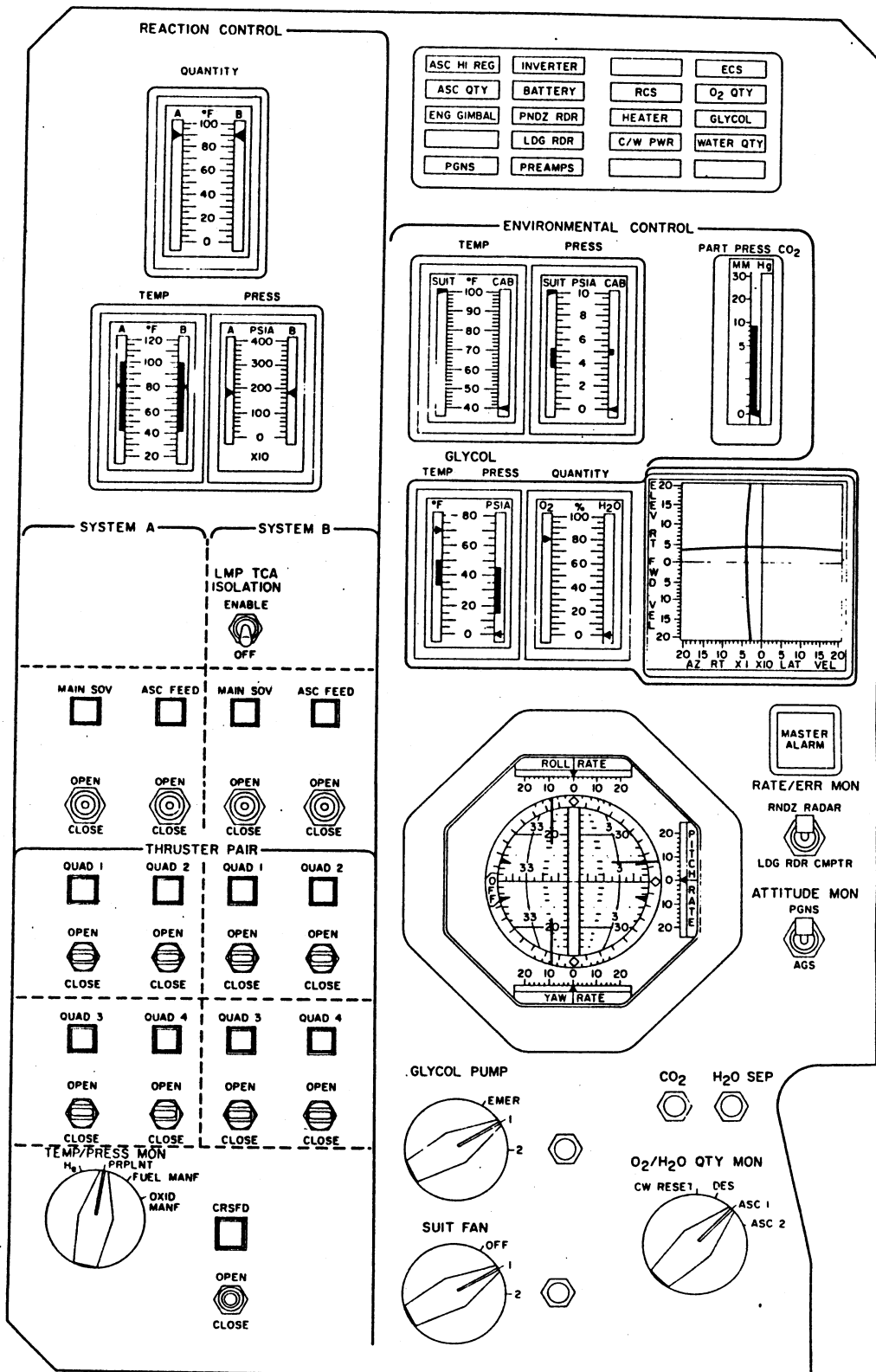
VERB	+	7	8	9	CLR	ENTR
NOUN	-	4	5	6	STBY	RSET
	0	1	2	3	KEY REL	

PANEL IV LM2

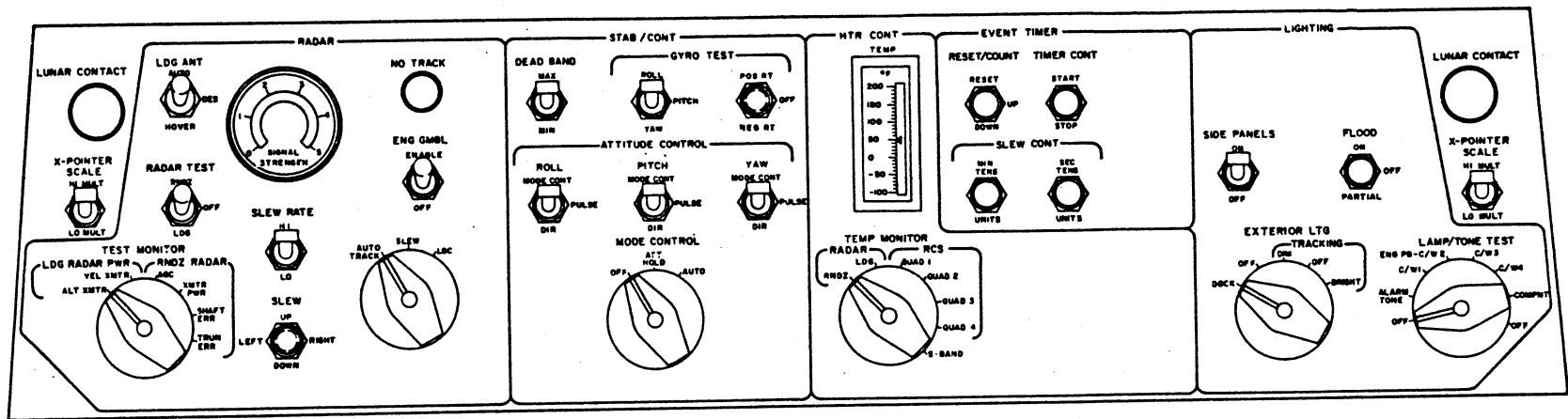
T30900-93
APR 67



PANEL 1
LM 2

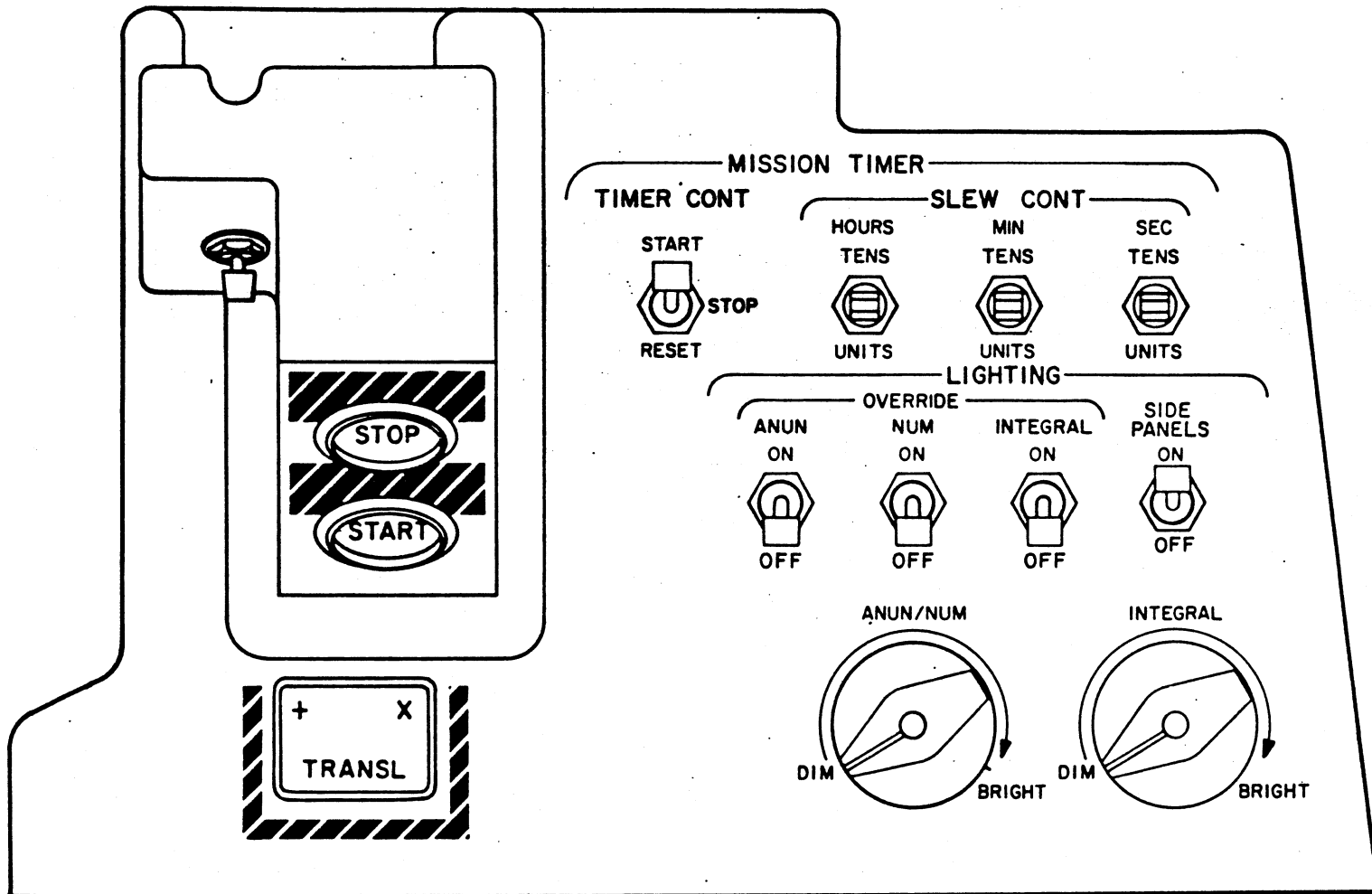


PANEL II
LM 2



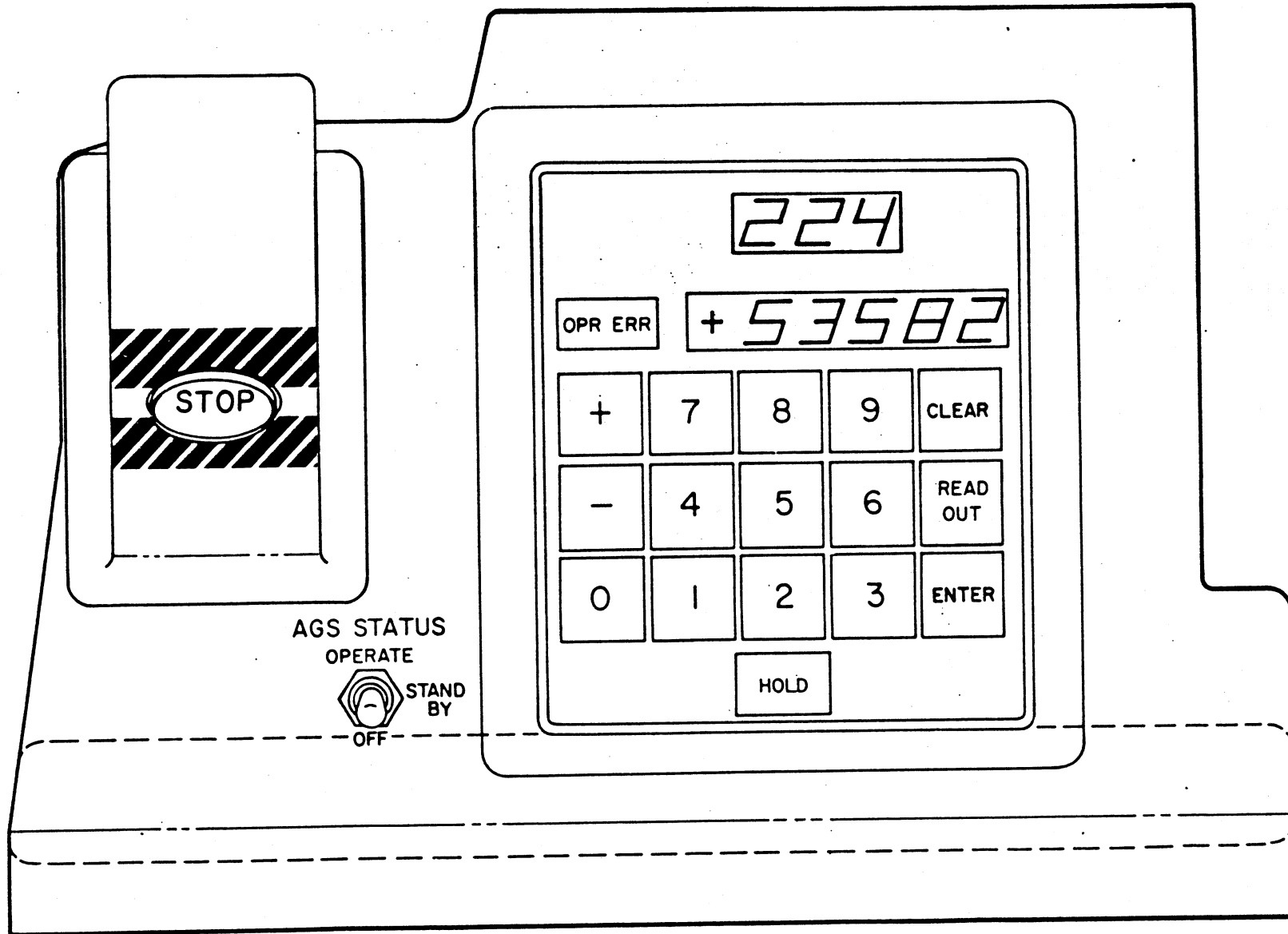
PANEL III
LM2

T30900-87
APR 67



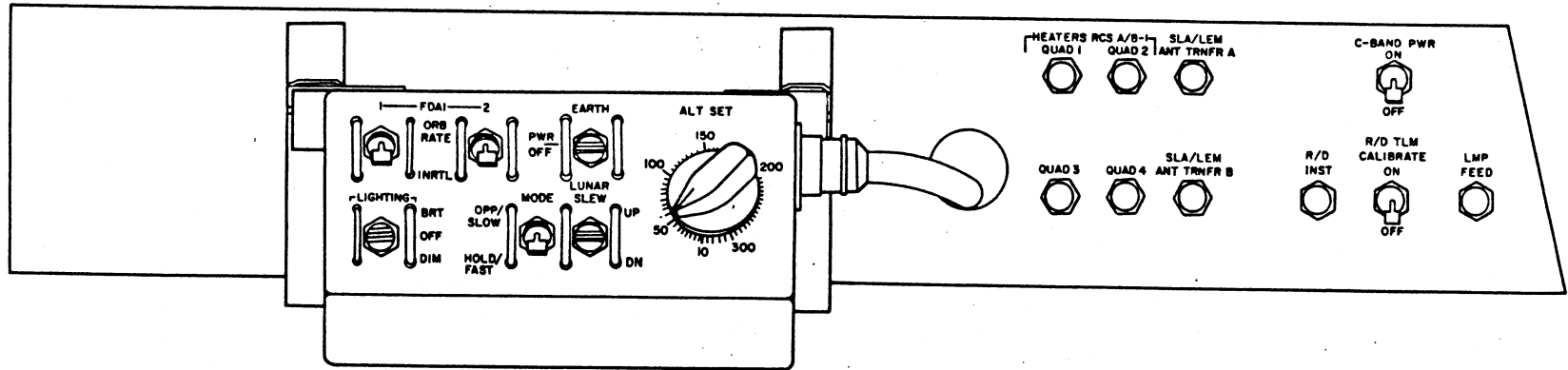
PANEL V
LM 2

T30900-88
APR 67



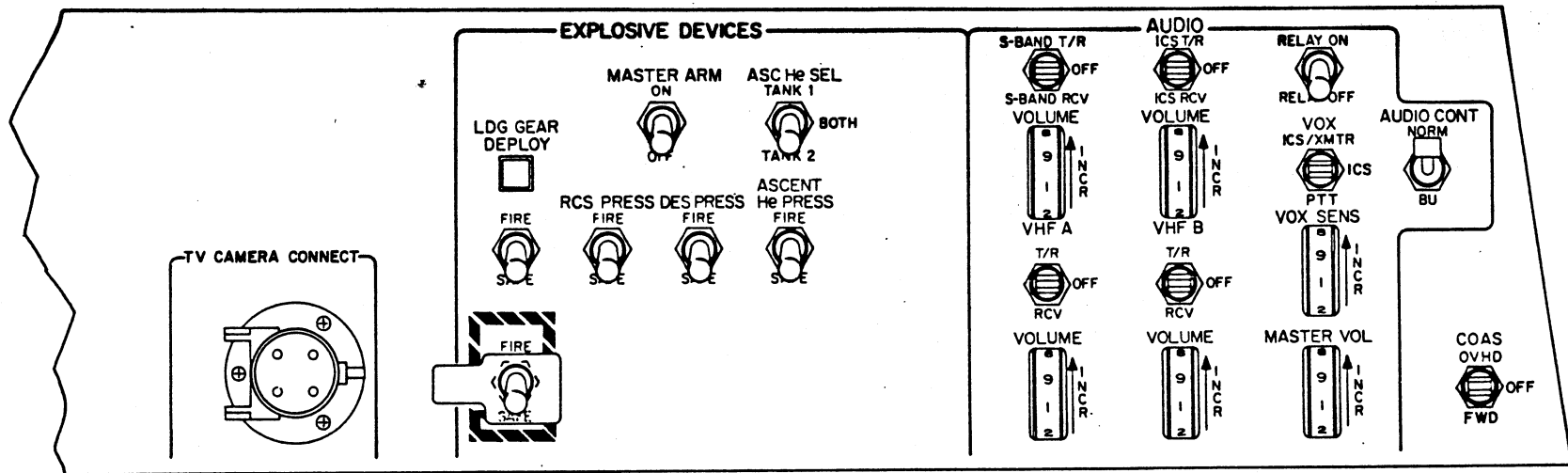
PANEL VI LM2 & SUB

T30900-89
APR 67



PANEL X
LM-2

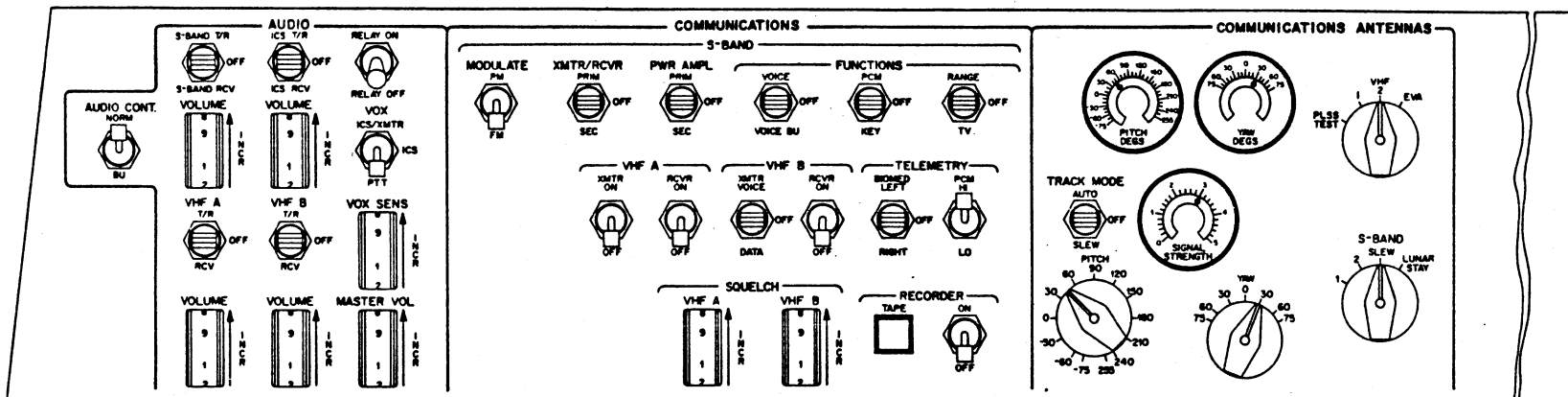
T30900-96
APR 67



PANEL VIII
LM2

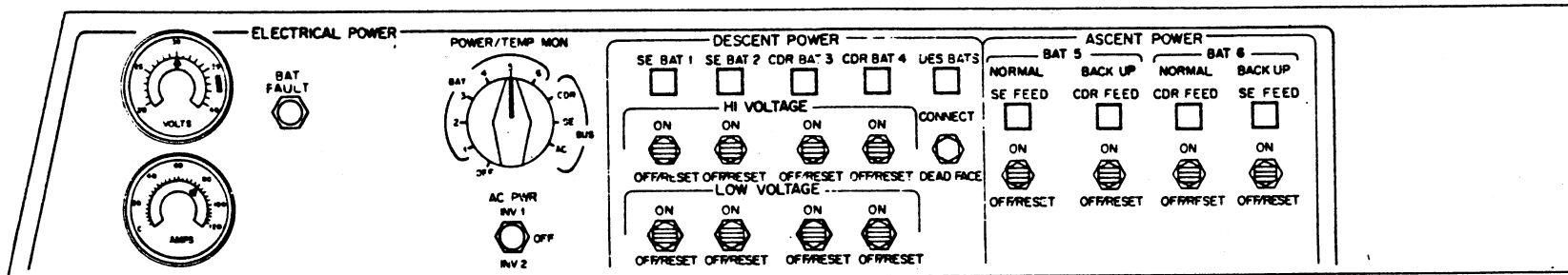
T30900-90
APR 67

7-A



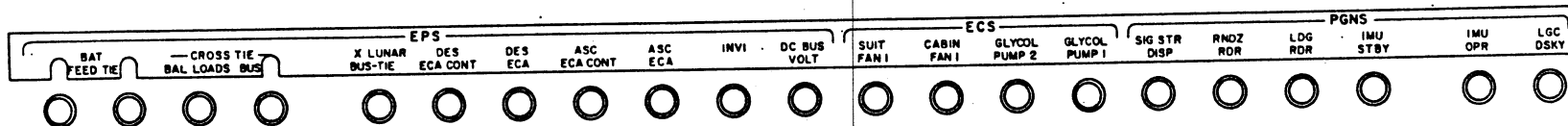
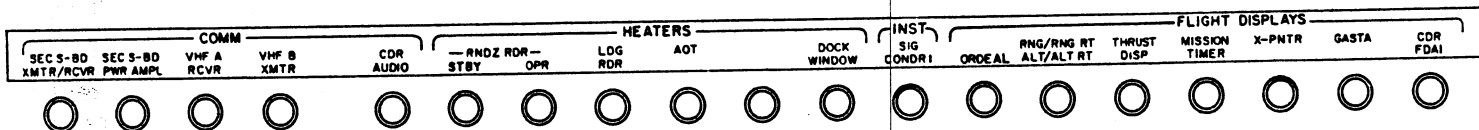
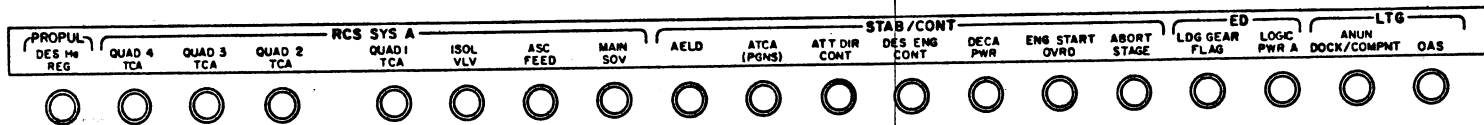
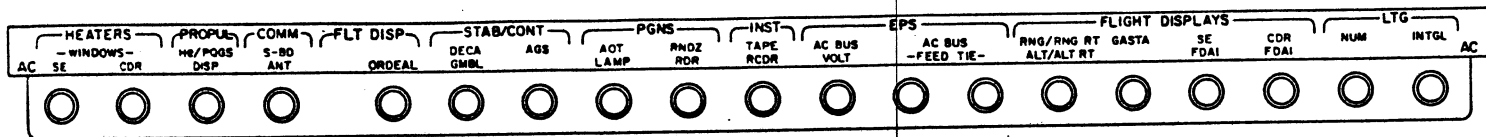
PANEL XII
LM2

T30900-91
APR 67



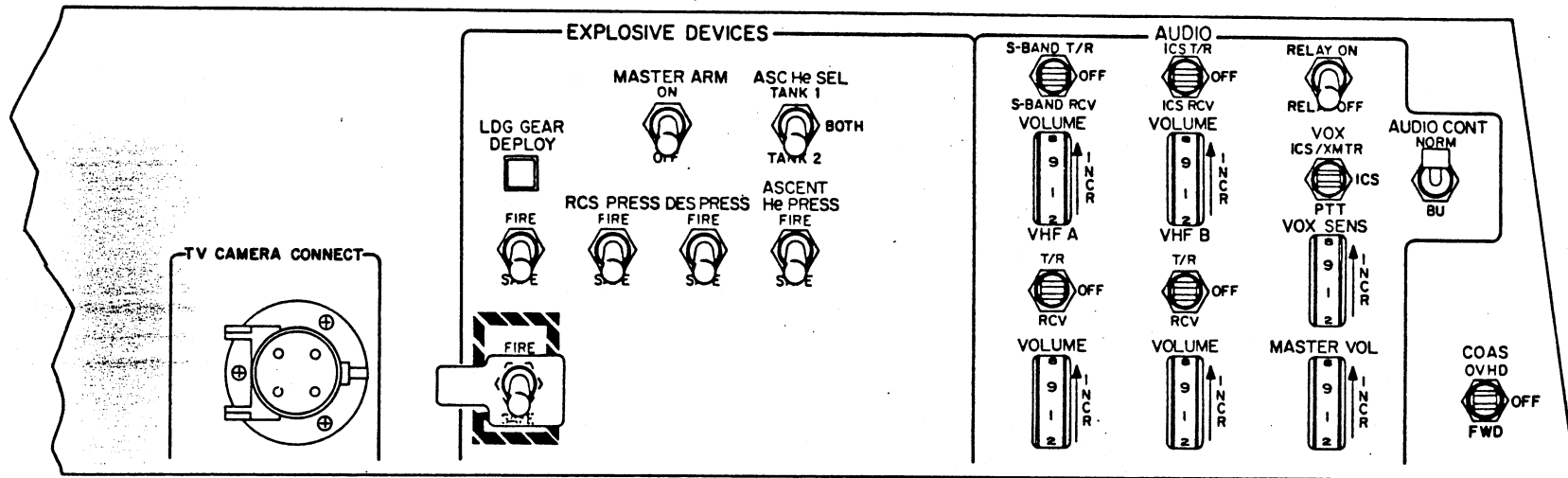
PANEL XIV LM2

T30900-92
APR 67



PANEL XI
LM2

T30900-94
APR 67



PANEL VIII
LM2

T30900-90
APR 67

6-7

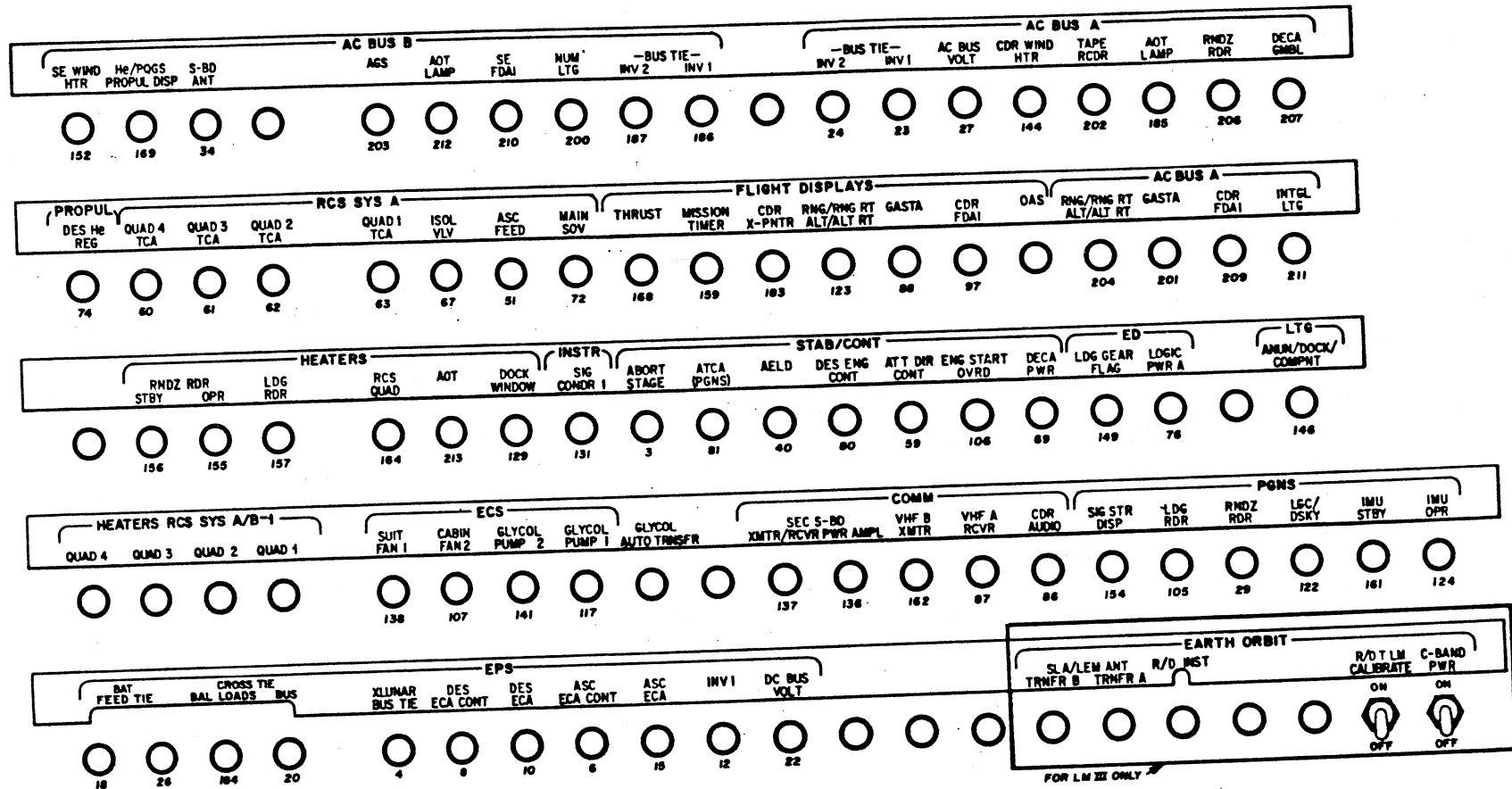
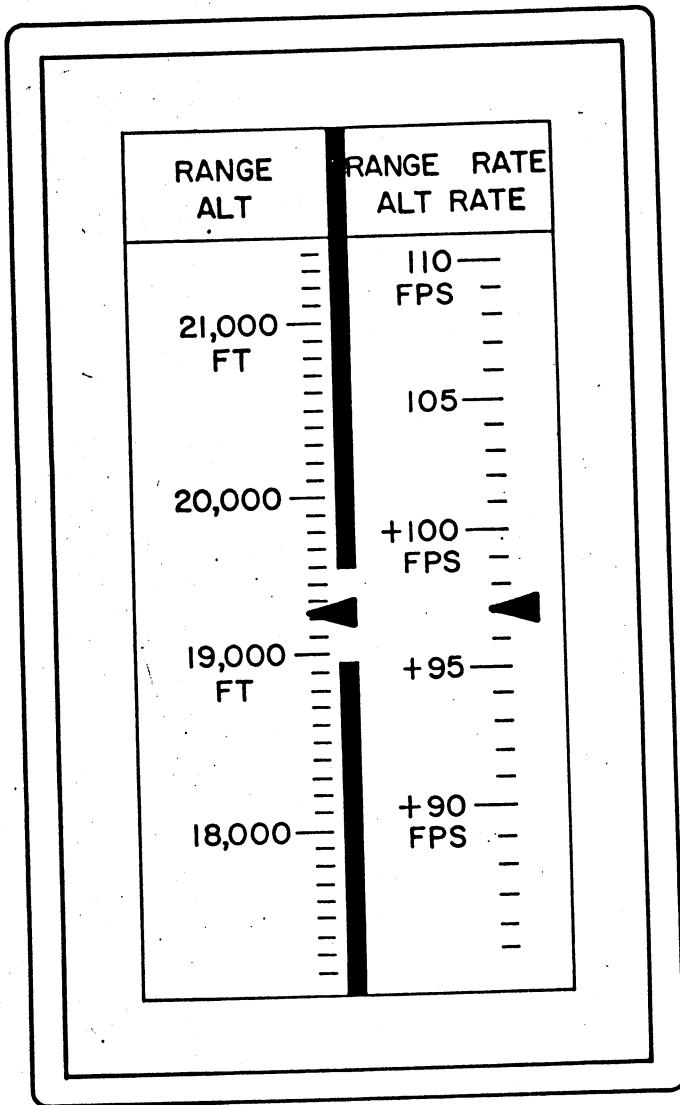


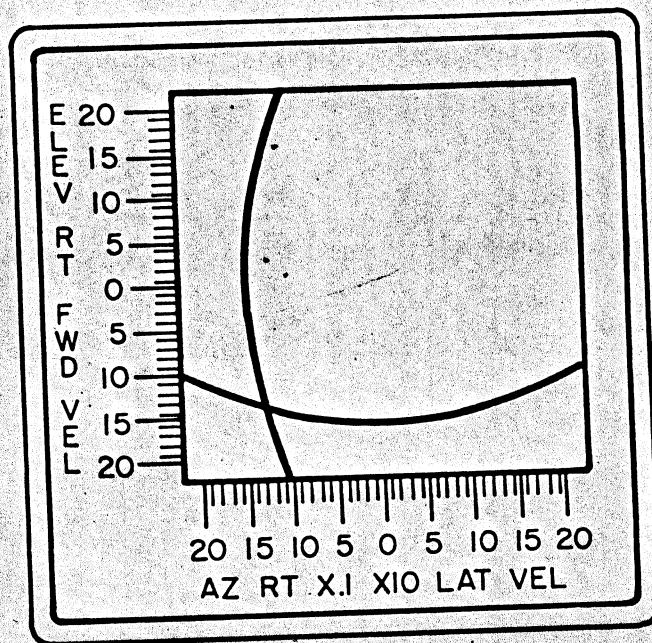
FIGURE 6-6. COMMANDER'S CIRCUIT BREAKER (PL XI)



ALTITUDE / RANGE INDICATOR 9M9

T30405-112
MAY 66

115

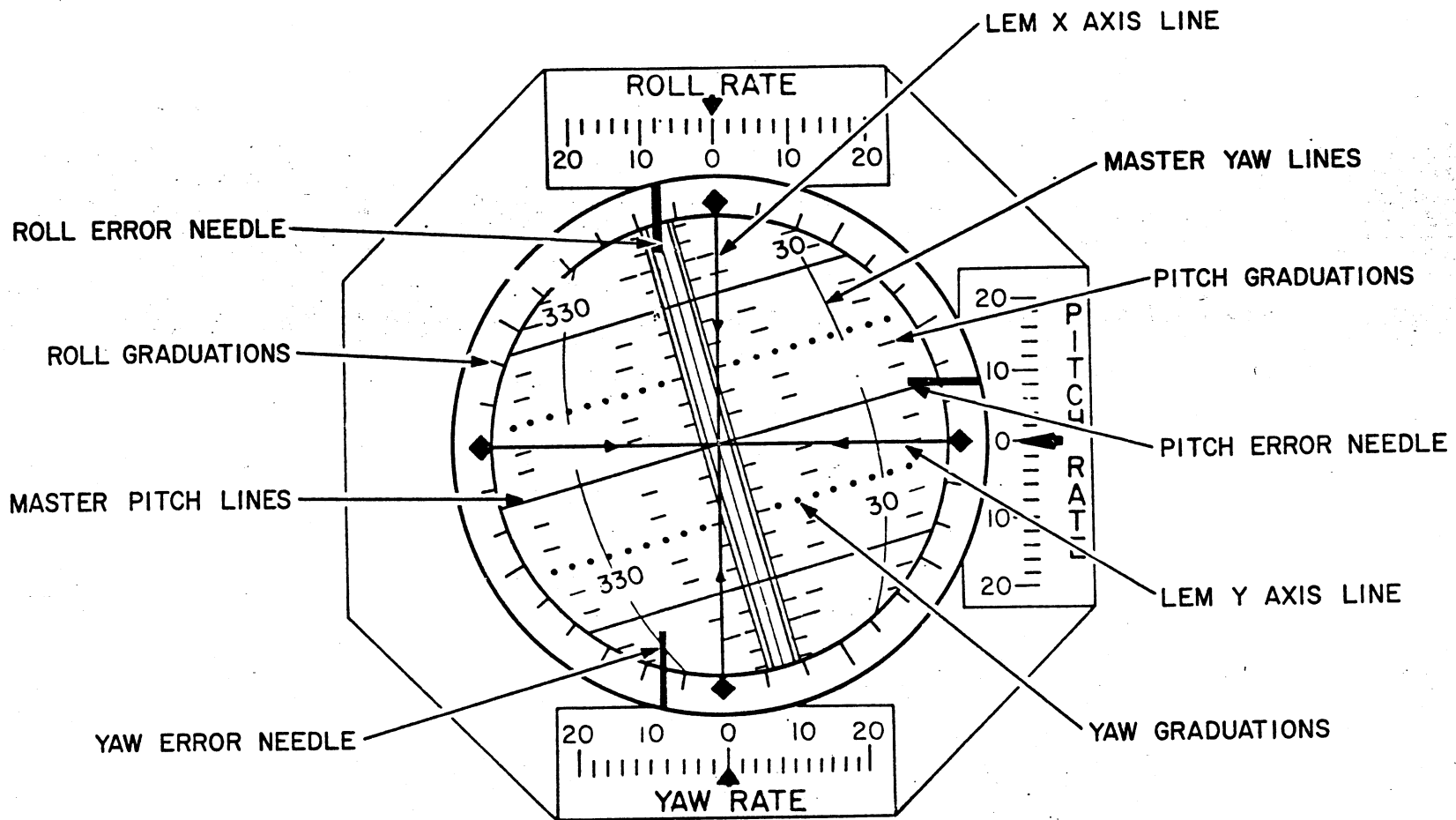


X-Pointer Indicator
9M2 AND 9M3

T30405-96
MAY 66

FIG. 4-3

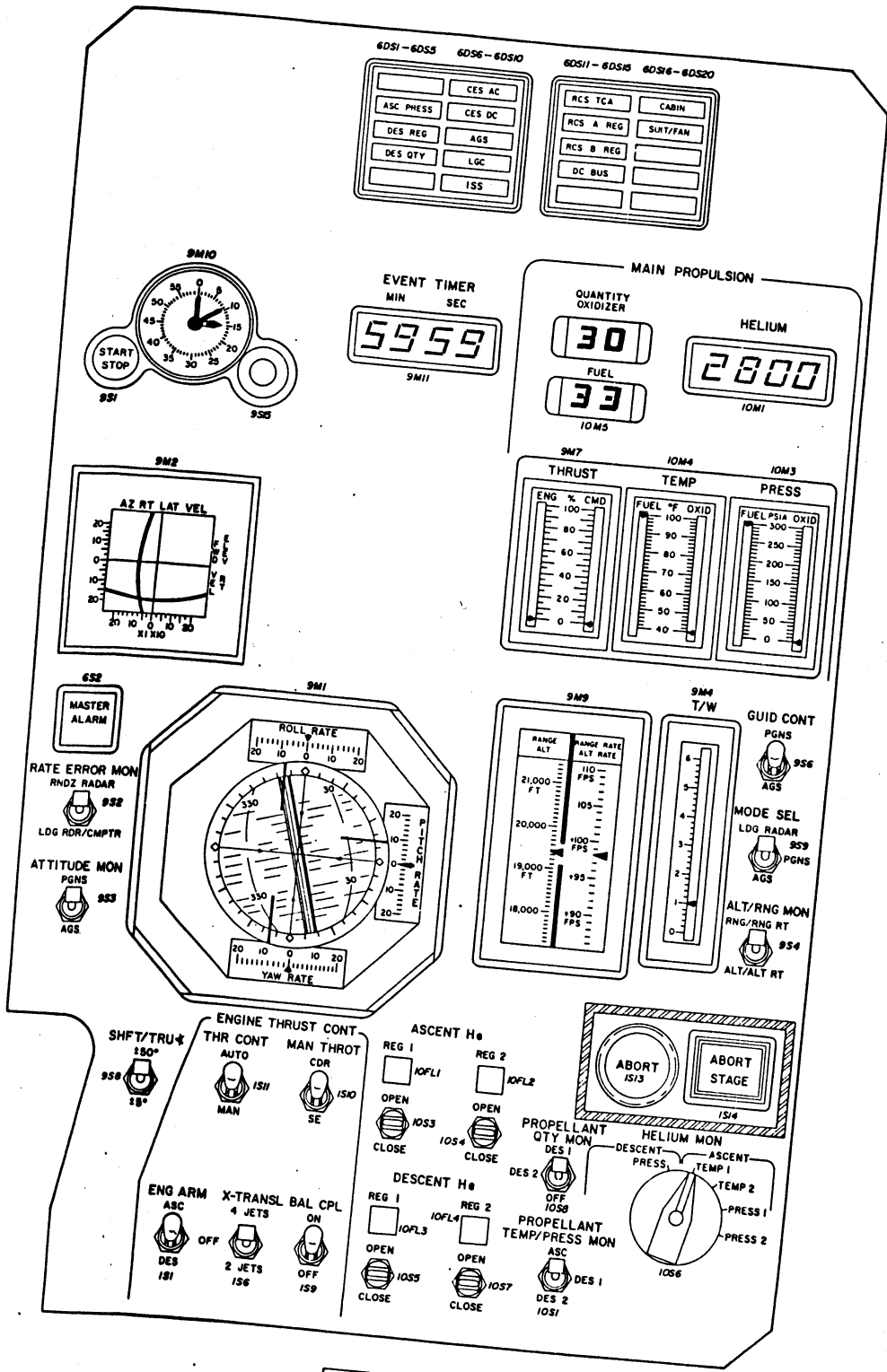
116



FLIGHT DIRECTOR ATTITUDE INDICATOR
9MI & 9M6

T30405-85
APRIL 66

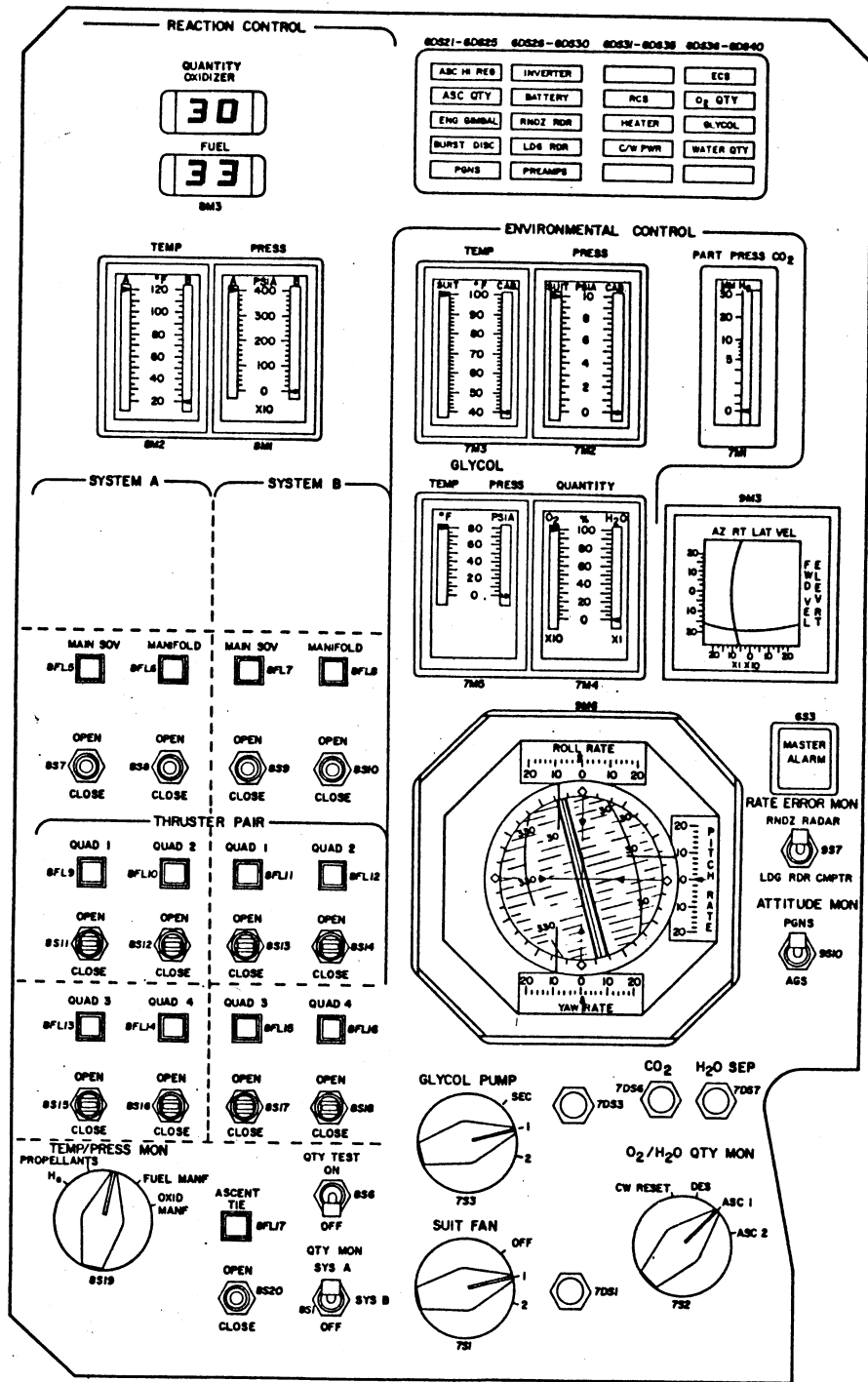
Fig. 4-11



PANEL I

T30900-1
FEB 66

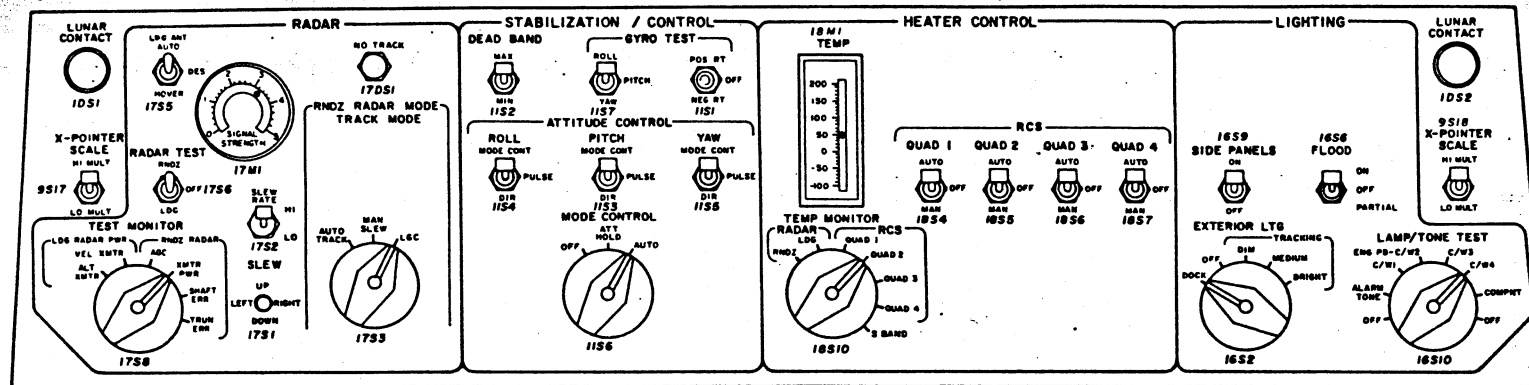
Fig. 4-5



PANEL II

T30900-2
FEB 66

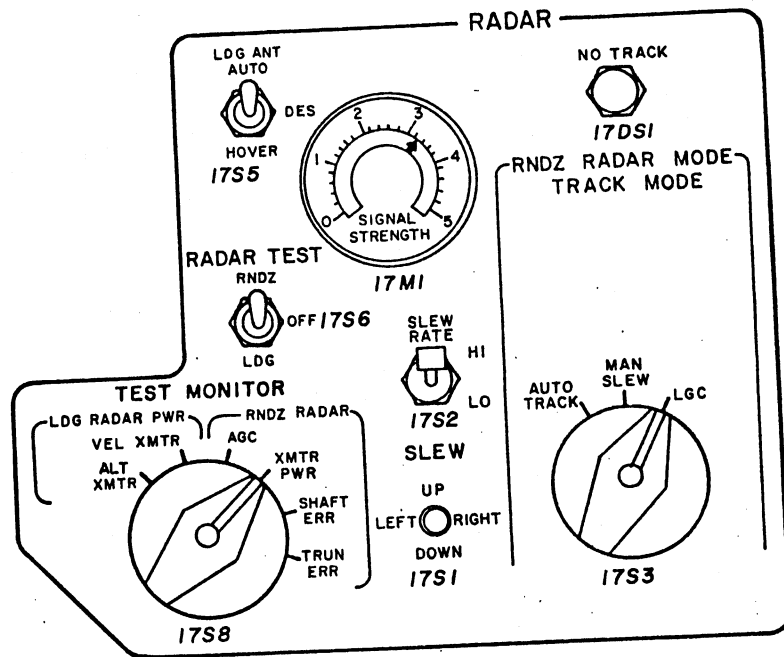
119



PANEL III

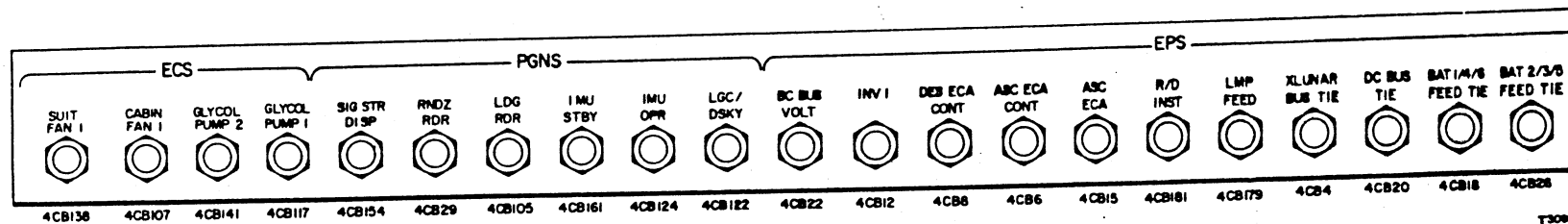
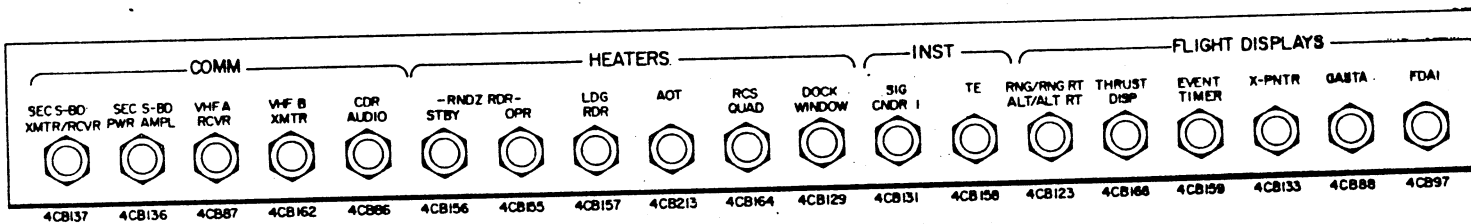
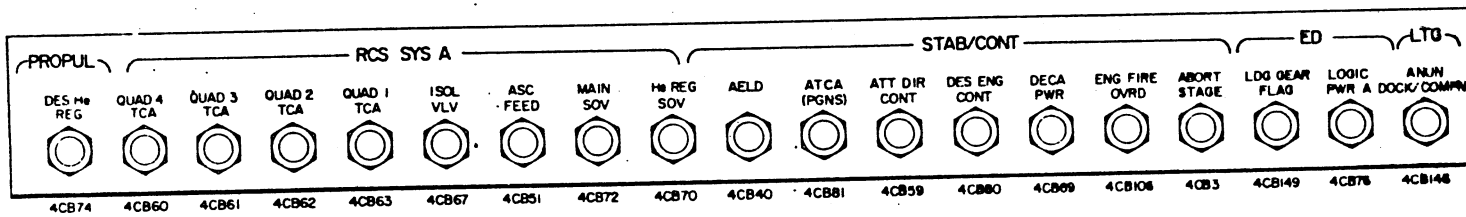
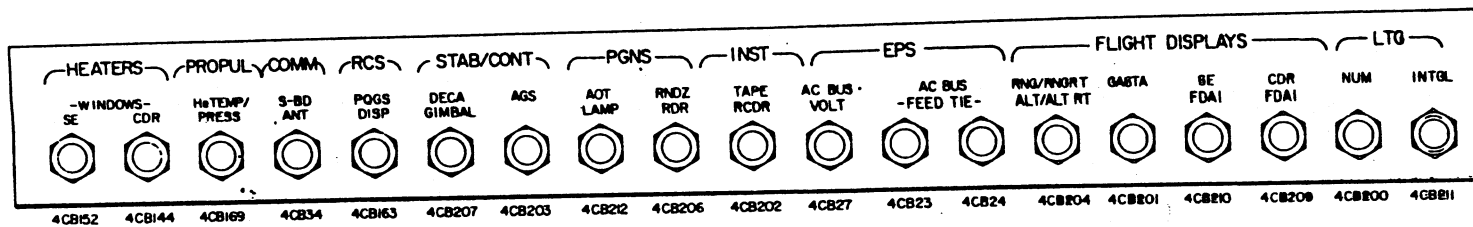
T30900-3
FEB 66

Fig. 4-7



RADAR PANEL (PART OF PANEL III)

T30405-11
MAY 66

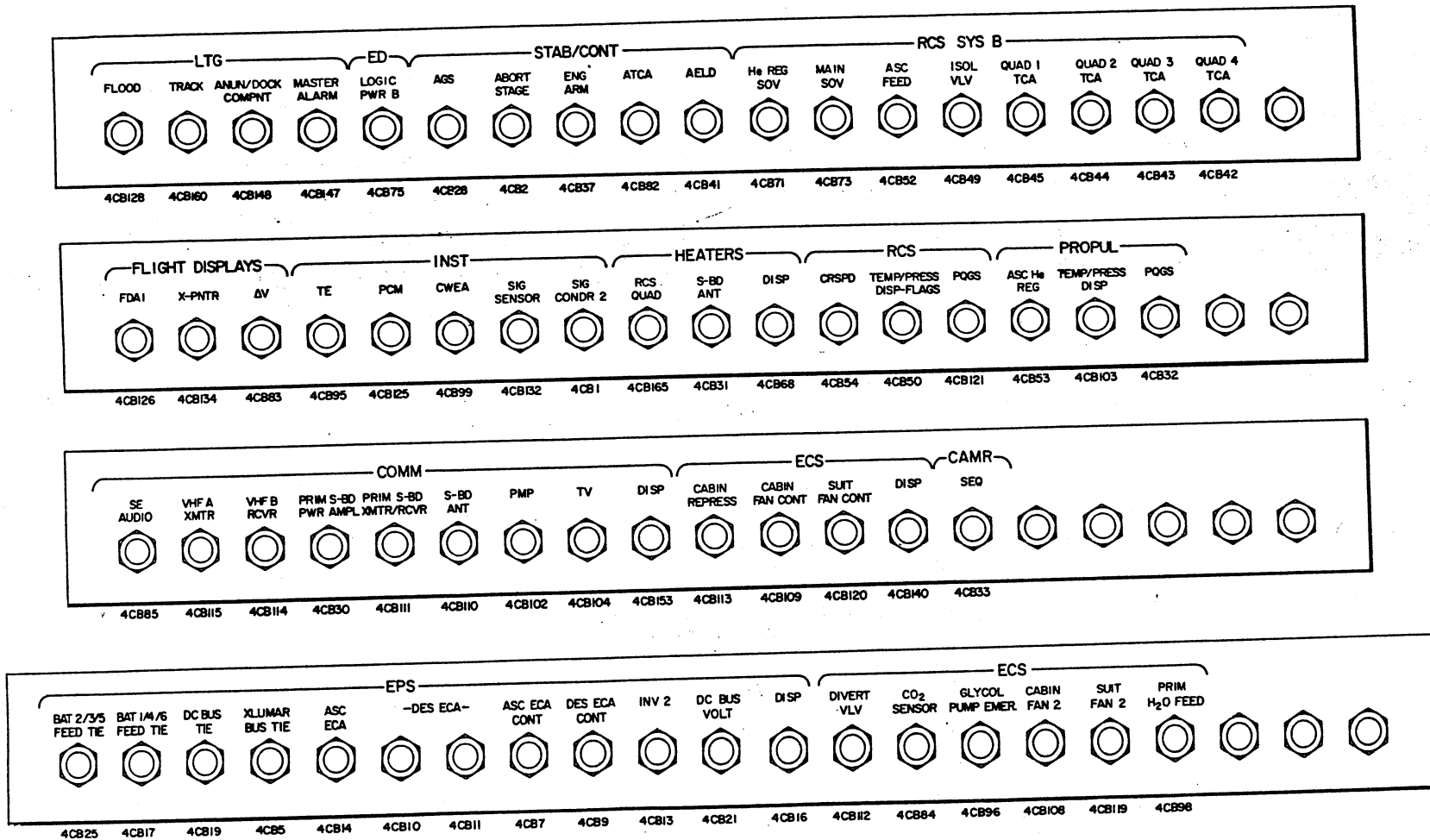


PANEL XI

T30800-80
DEC 65

121

Fig. 4-9

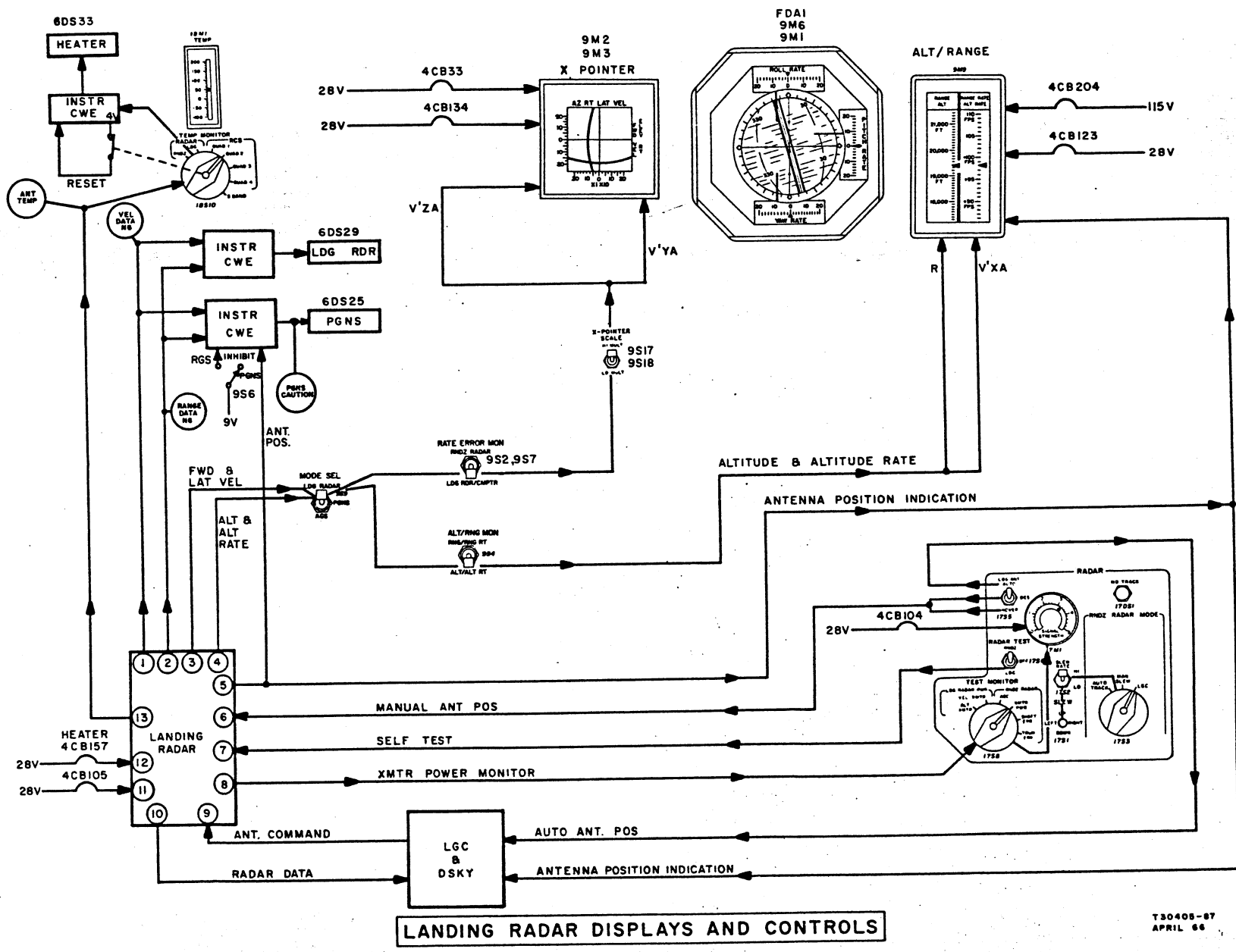


PANEL XVI

T30900-21
DEC 65

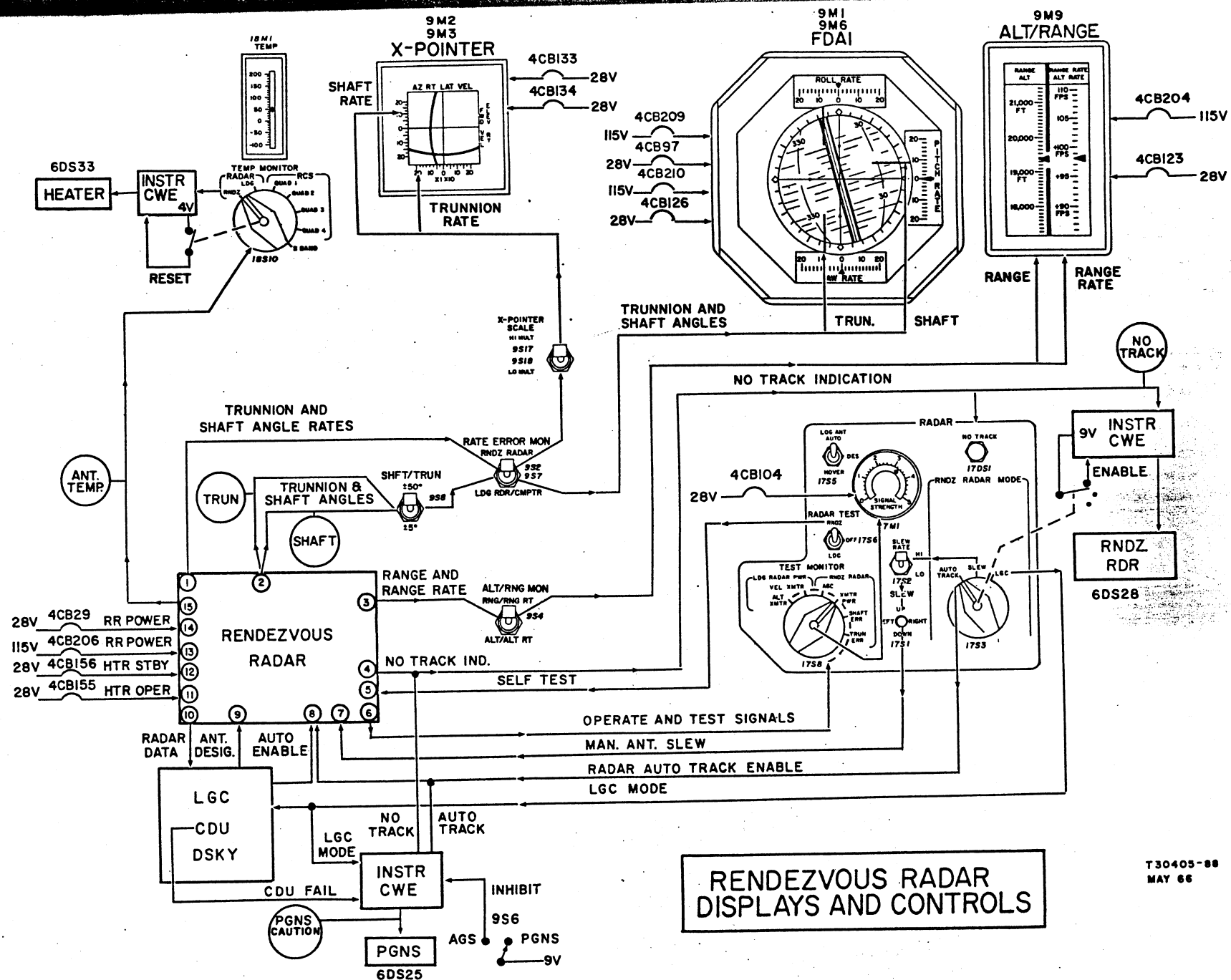
123

FIG. 4-11



LANDING RADAR DISPLAYS AND CONTROLS

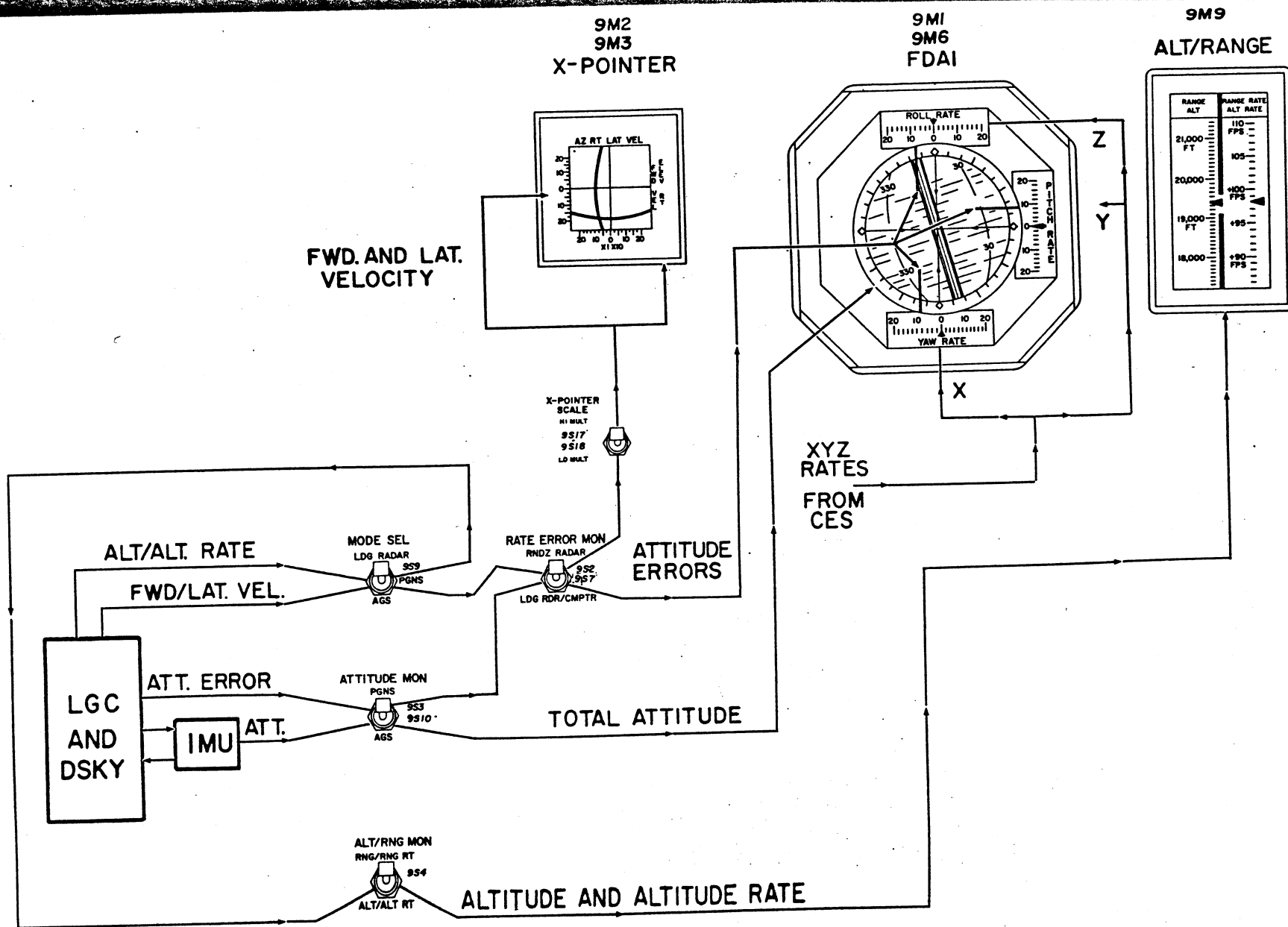
T30405-87
APRIL 66



124

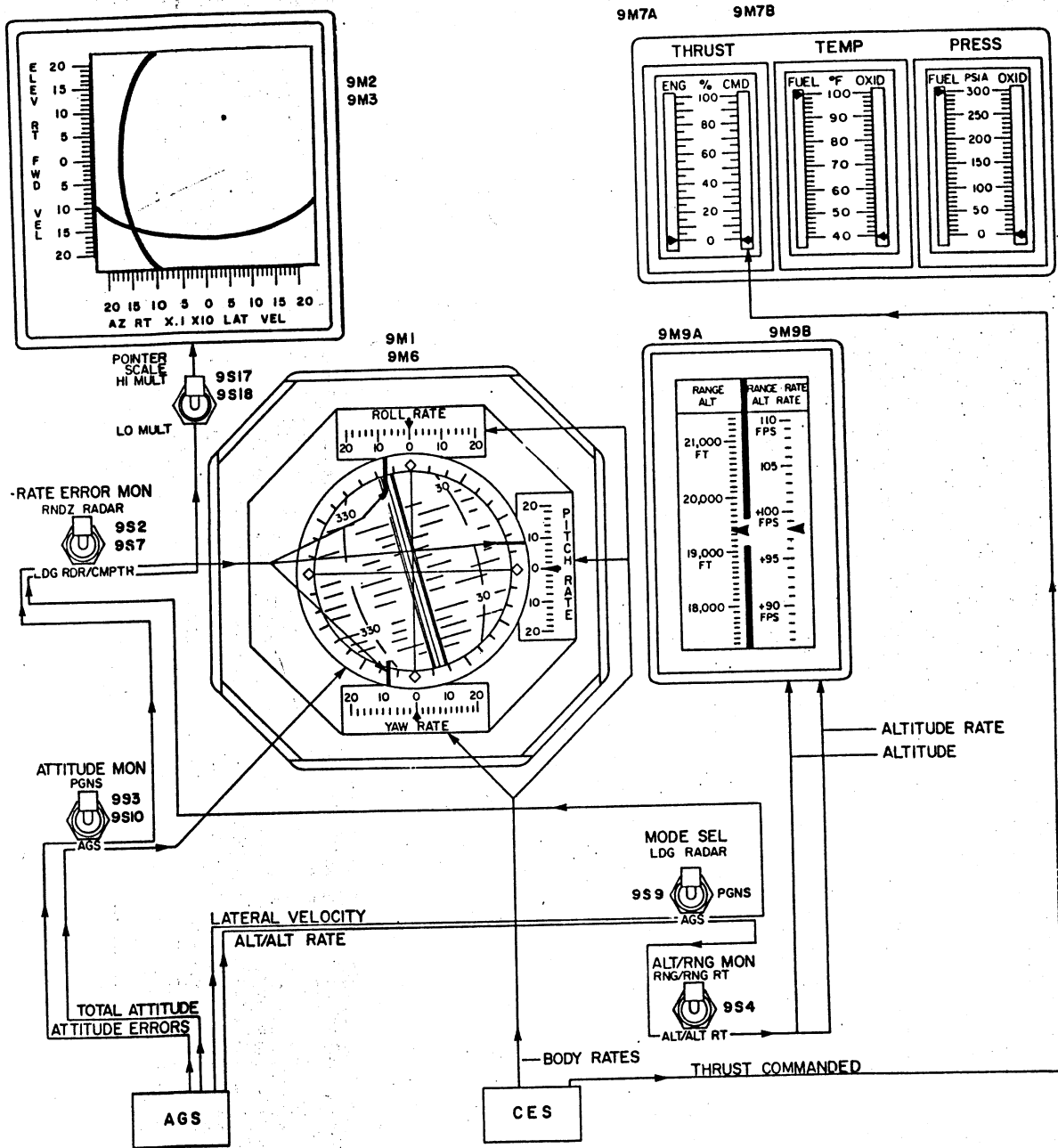
Fig. 4-12

T30405-88
 MAY 66



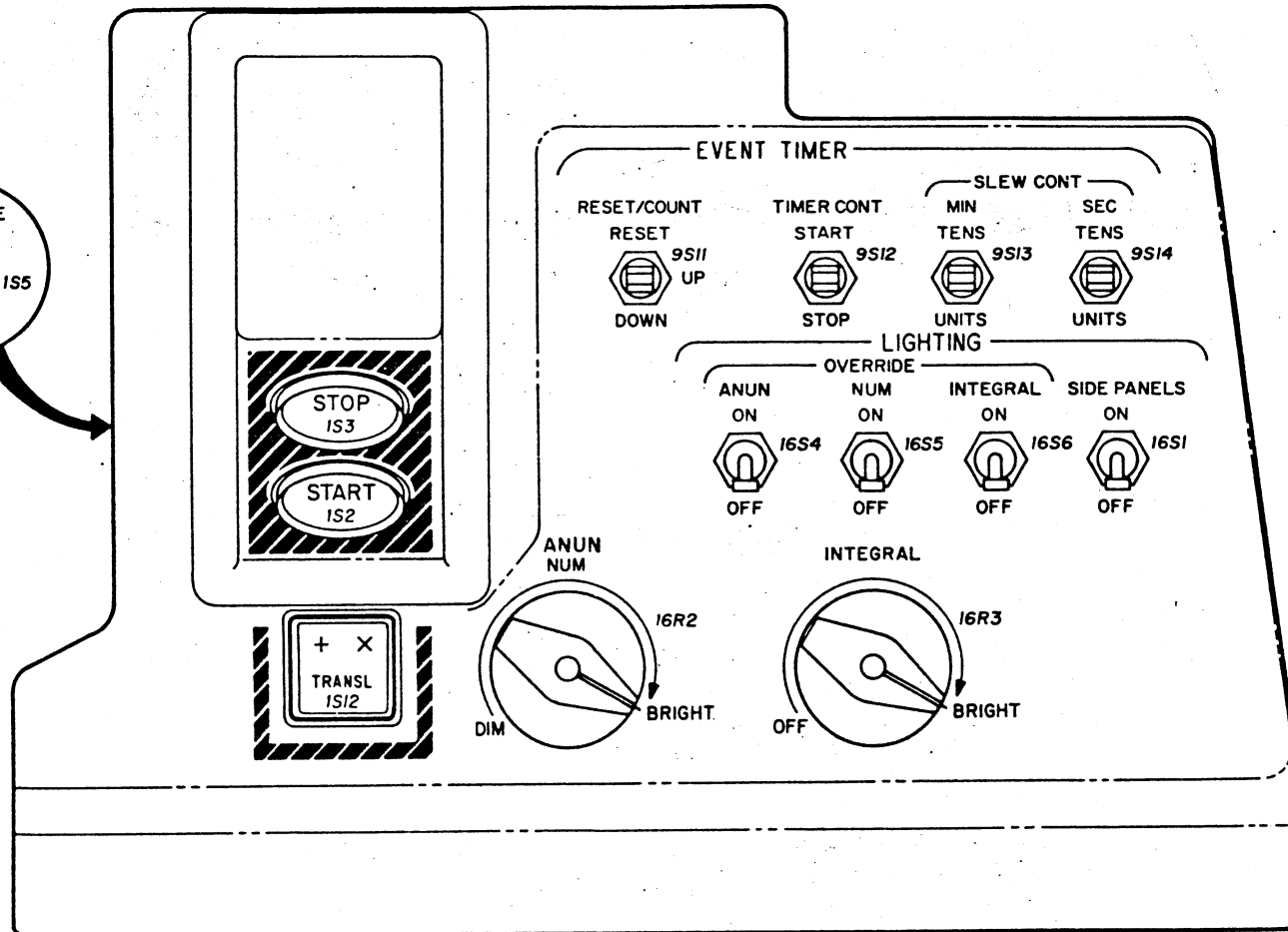
PGNS DISPLAYS AND CONTROLS

T30405-89
MAY 66



CES - AGS DISPLAYS AND CONTROLS

T30312-18
MAY 66

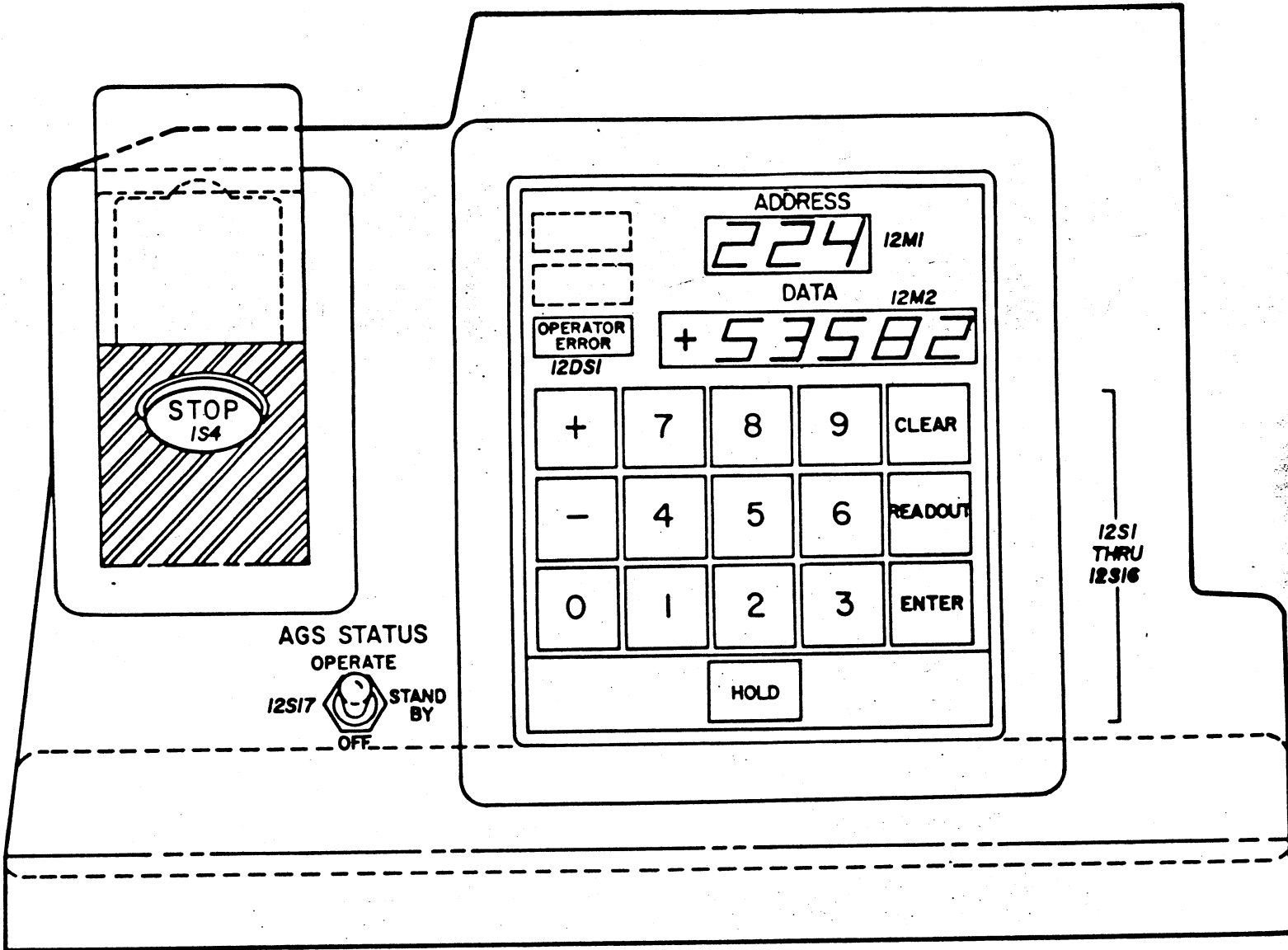



COMMANDER'S LIGHTING PANEL
PANEL V

T30405-91
APRIL 66

Fig. 4-16

129



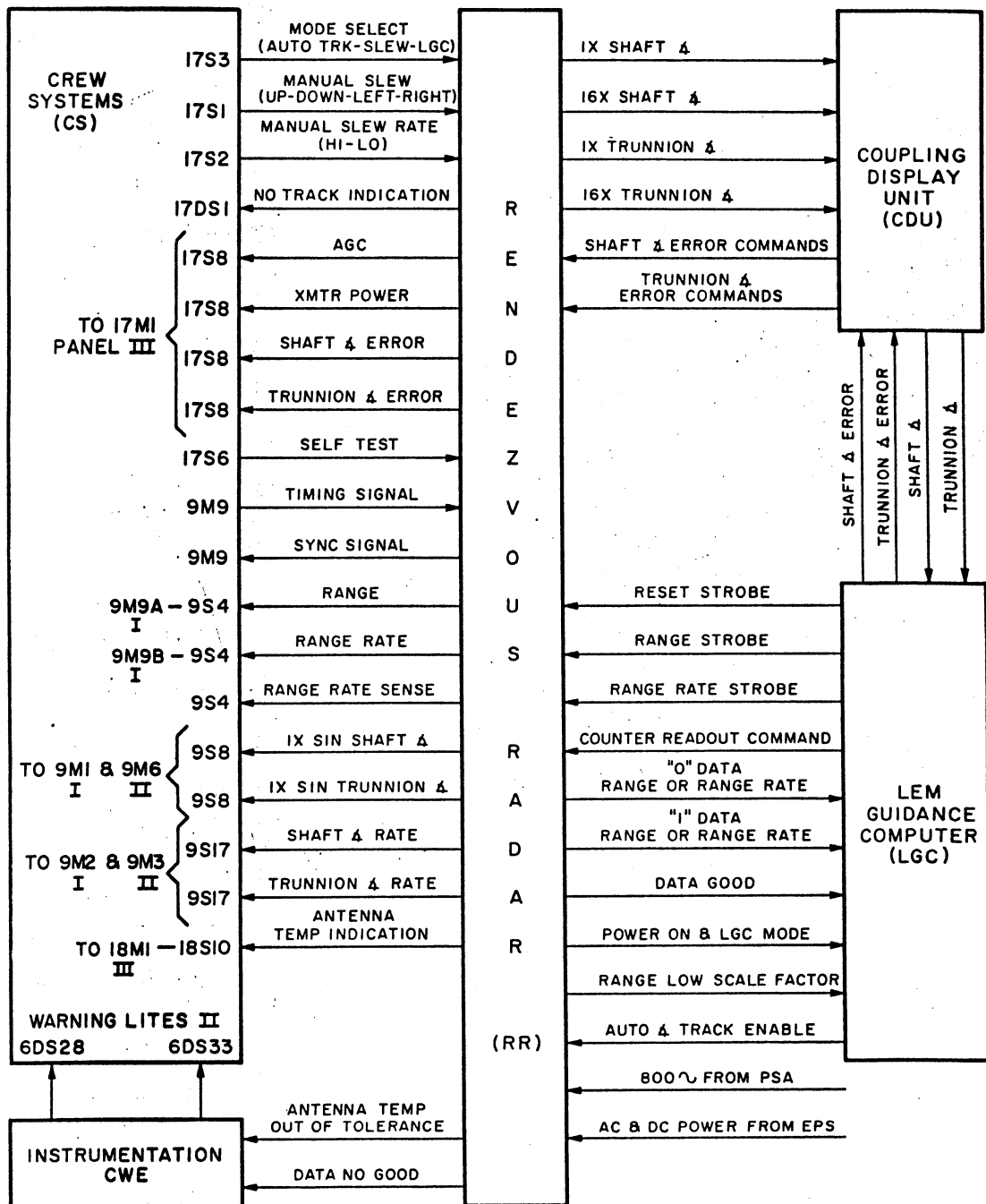
AGS STATUS
OPERATE
12SI7  STAND BY
OFF

12S1
THRU
12S16

PANEL VI

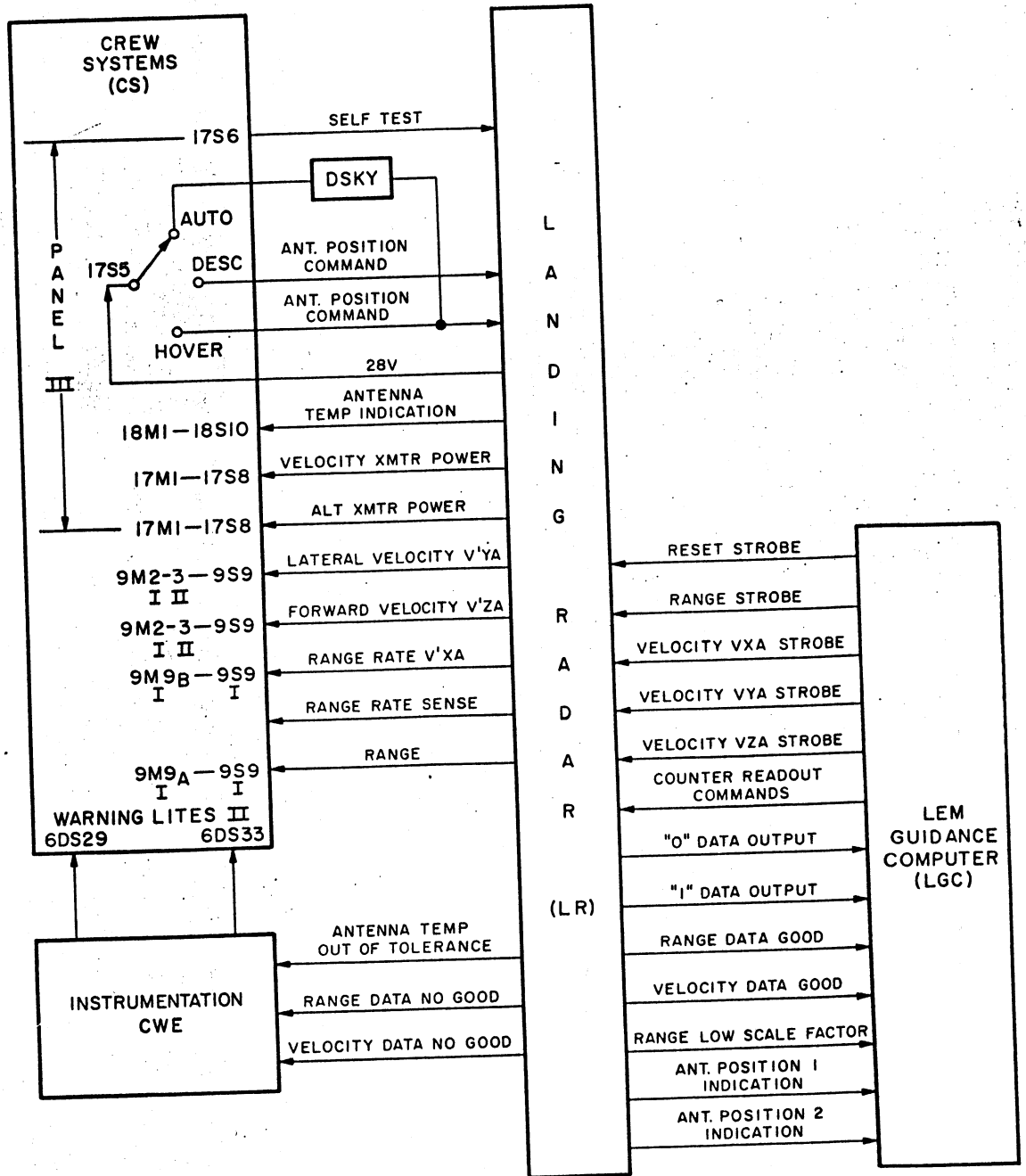
T30900-5
AUG 65

FIG. 4-17



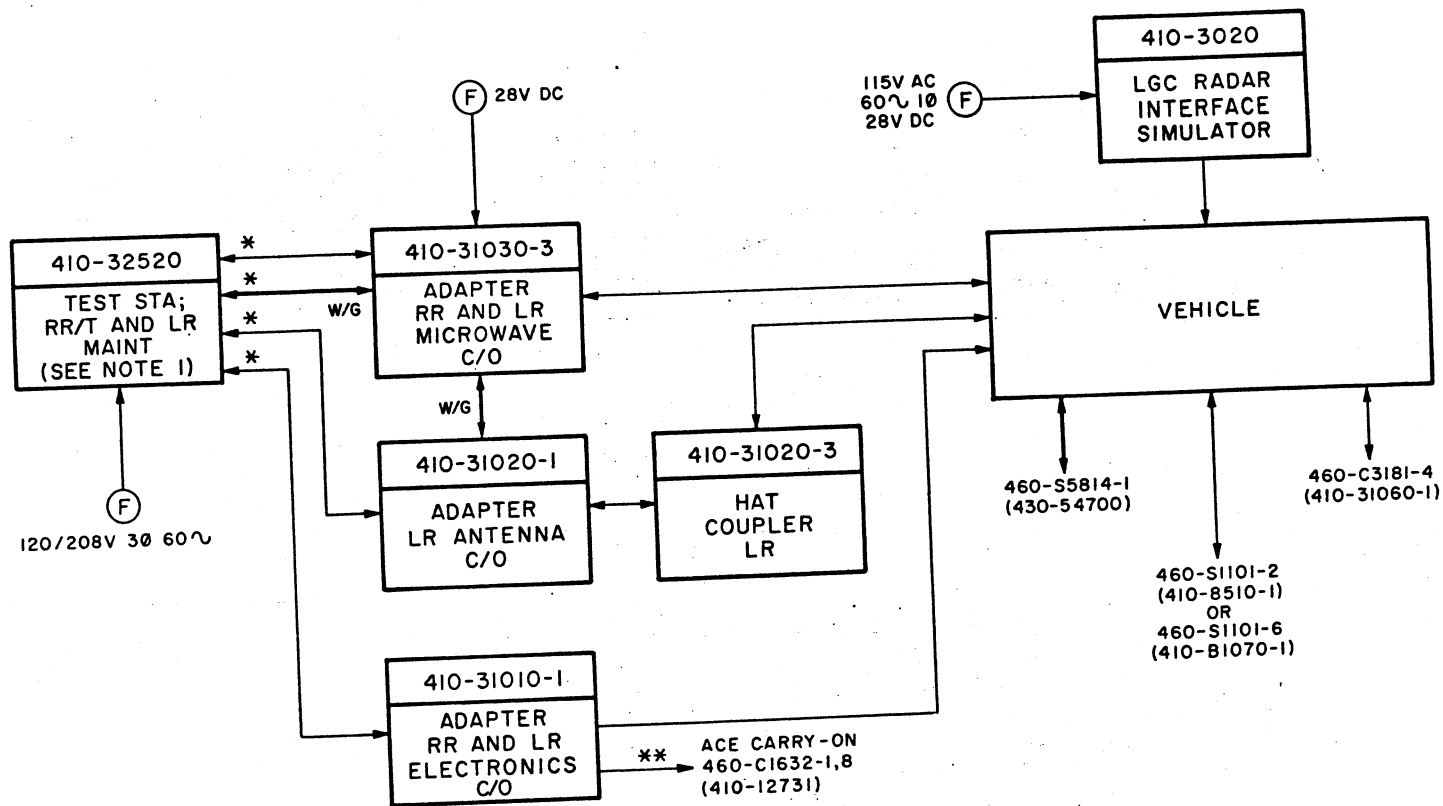
RENDEZVOUS RADAR INTERFACE

T30405-90
APRIL 66



LANDING RADAR INTERFACE

T30405-92
APRIL 66

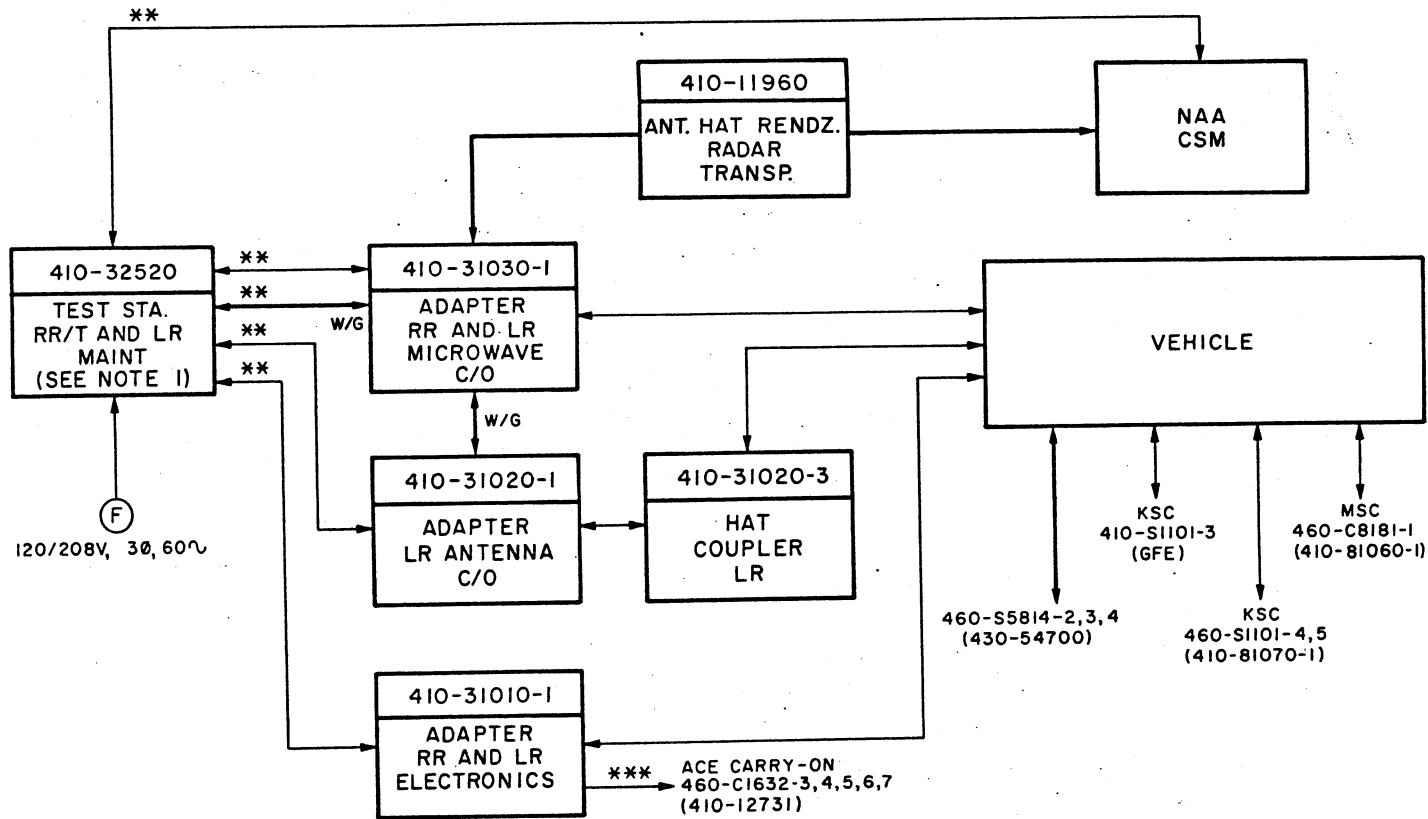


NOTES:

1. USAGE: GAEC-7 HSCI-2
-1 LTA-8, LEM 1-11
2. MATED CONFIGURATION
3. * CABLE SET 410-11190-1
4. ** CABLE SET 410-11170-1 FOR HSCI-2
410-11170-3 FOR LTA-8
410-11170-5 FOR LEM-1

RADAR-GSE CHECKOUT - GAEC CONFIGURATION

T30405-93
APRIL 66



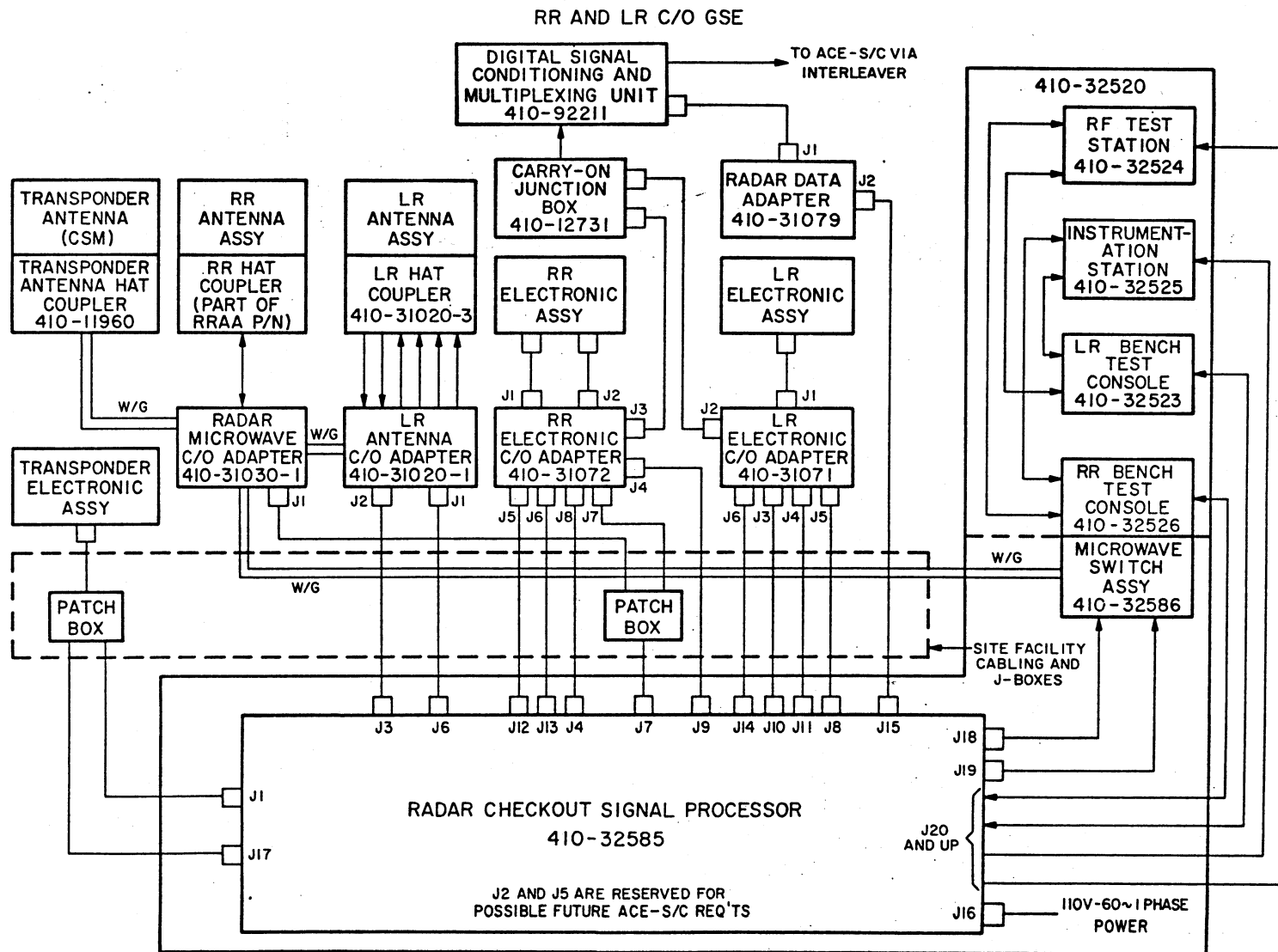
NOTES:

1. USAGE : MSC-LTA-8 (410-32520-5)
 KSC-LEM-I THRU II (410-32520-9) KC37, KC39
 LEM-I THRU II (410-32520-3) KCRL
2. MATED CONFIGURATION
3. ** MSC CABLE SET 410-11100-1
4. *** MSC CABLE SET 410-11170-3
 *** KSC GEN CABLE SET 410-11170-5
5. ** KSC @ LC-#37 410-11140-1; LC-#39 410-11130-1
 @ C & C BLDG 410-11210-1; VAB 410-11150-13 (BAY 1) 410-11150-15 (BAY 3)

RADARS-GSE CHECKOUT-KSC AND MSC CONFIGURATION

T30405-94
 APRIL 66

136



SECTION LEVEL RADAR CHECKOUT CONFIGURATION USING 410-32520 BTME

T30405-95
APRIL 66

Fig. 5-3

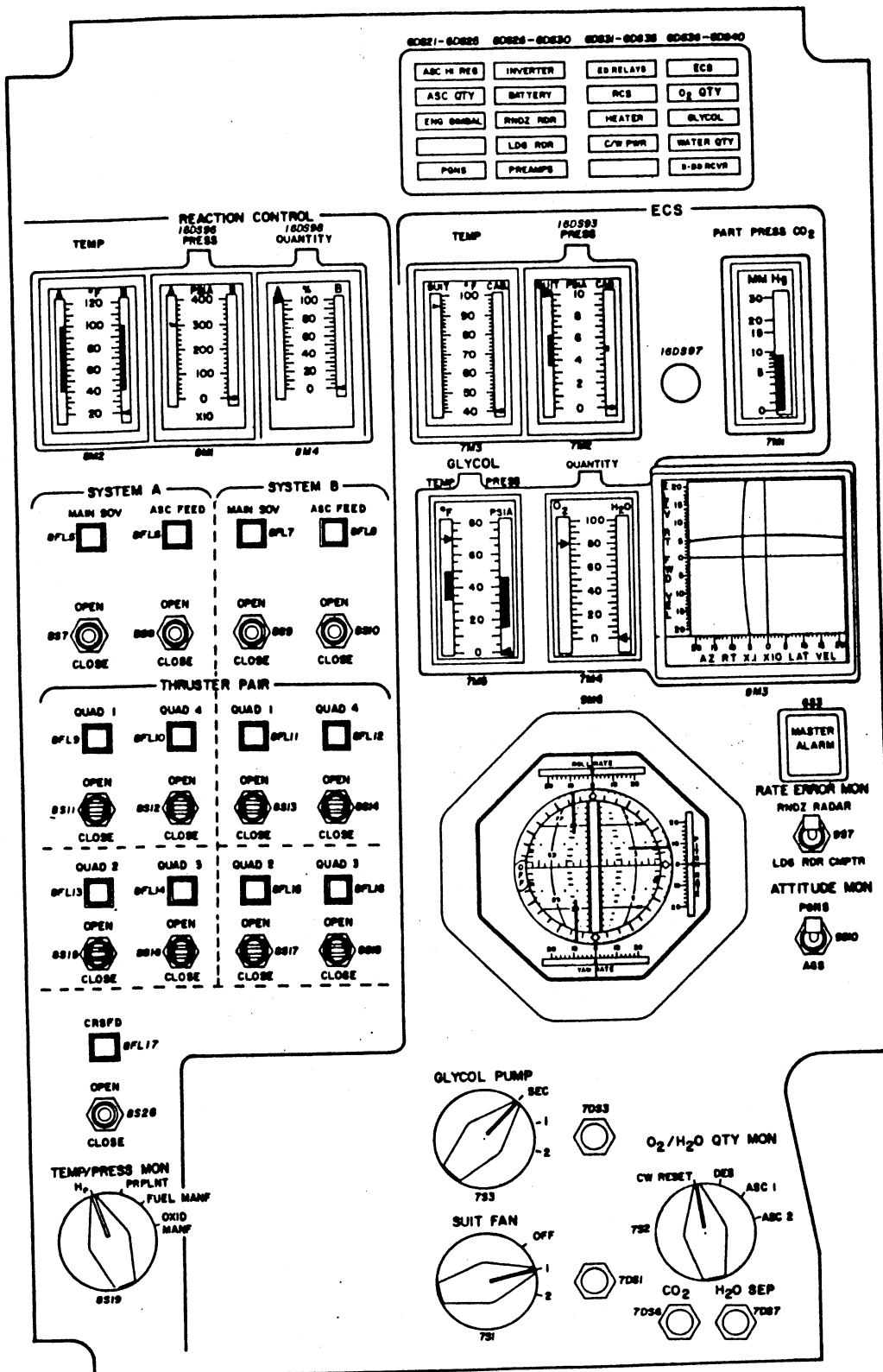
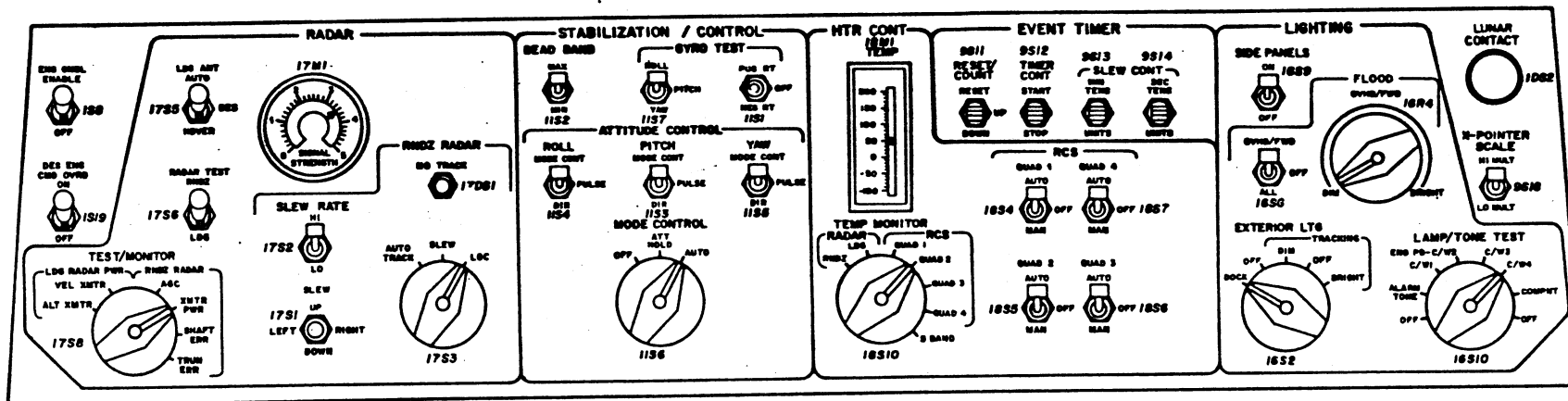


FIGURE 6-3. SYSTEM ENGINEER'S CENTER PANEL (PL II)



6-5

FIGURE 6-4. RADAR AND STABILIZATION/CONTROL PANEL (PL III)

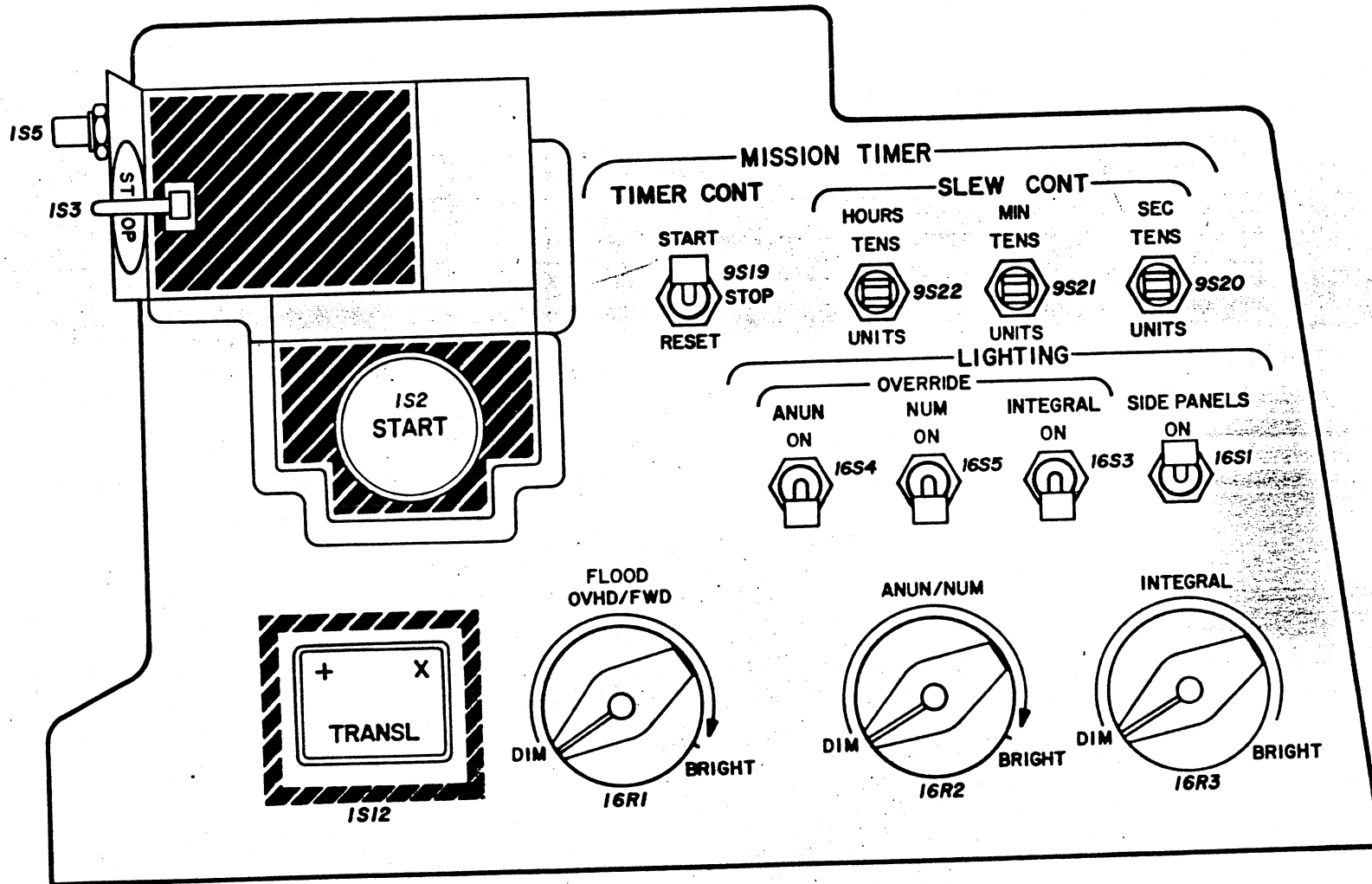


FIGURE 6-5. PANEL V

