

Modeling Information from Wearable Sensors

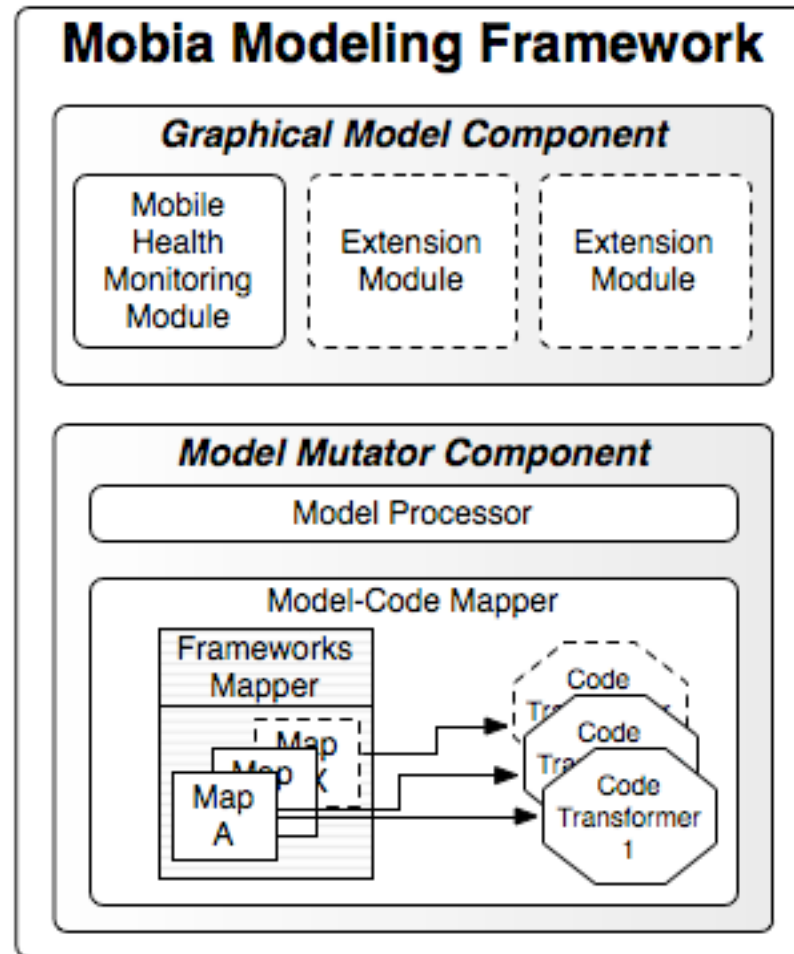
Florence Balagtas-Fernandez & Heinrich Hussmann
Media Informatics Group
Department of Computer Science
University of Munich



- The *Mobile Applications (Mobia)* Modeling Framework
- Application Scenario
- Modeling Medgets and User Interactions
- Evaluation: Collecting User Preference
- Summary and Conclusion

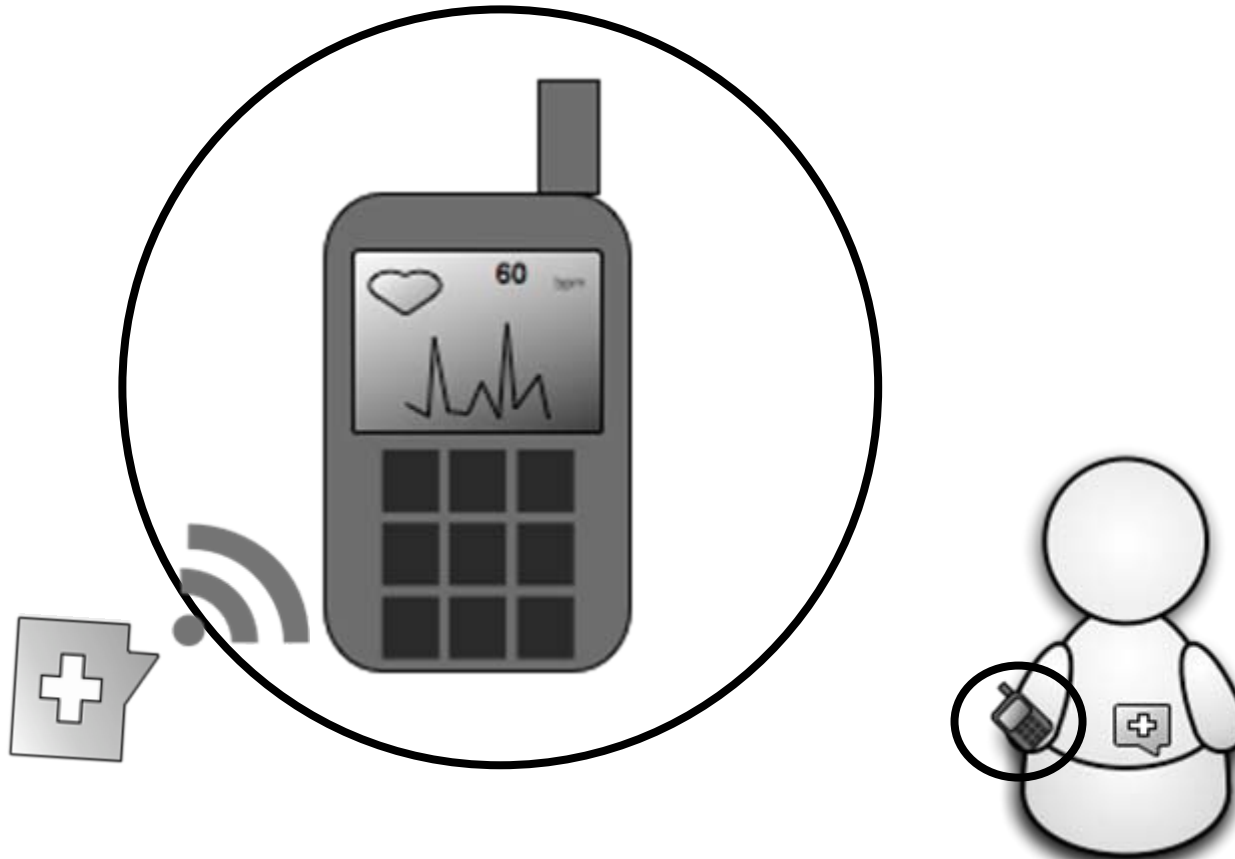
- Mobia Modeling Tool
 - Allow non-expert users to easily create mobile applications by modeling the mobile application and having a tool automatically transform the model to code
 - Easy to learn
 - Feature modeling constructs that are intuitive
 - Extend to different application domains
 - Current focus: Mobile Health Monitoring

Mobia Modeling Framework

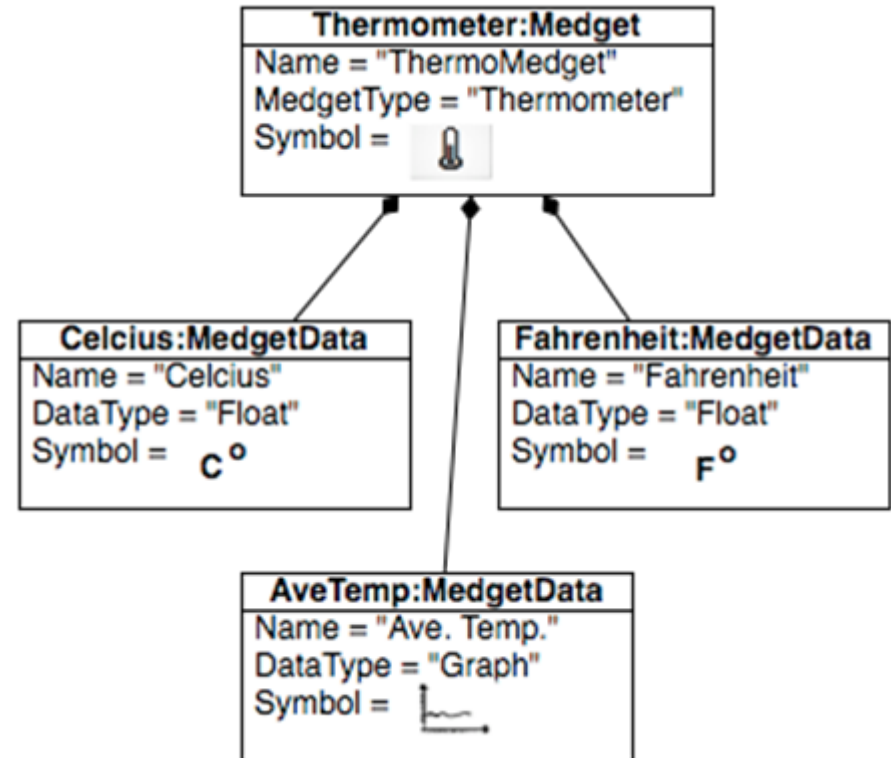
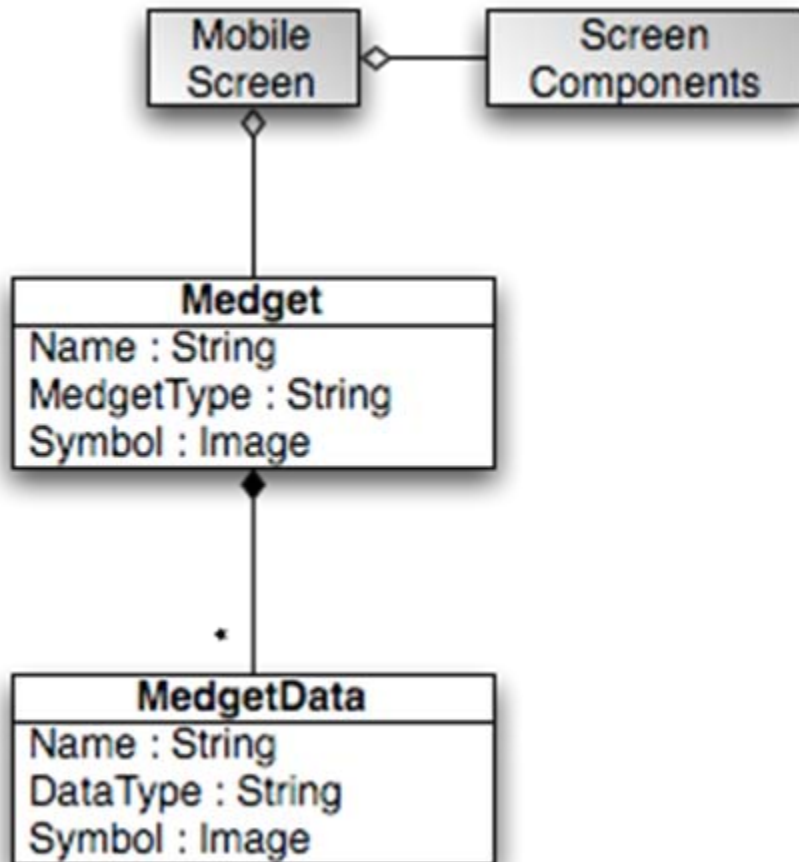


Mobile Health Monitoring

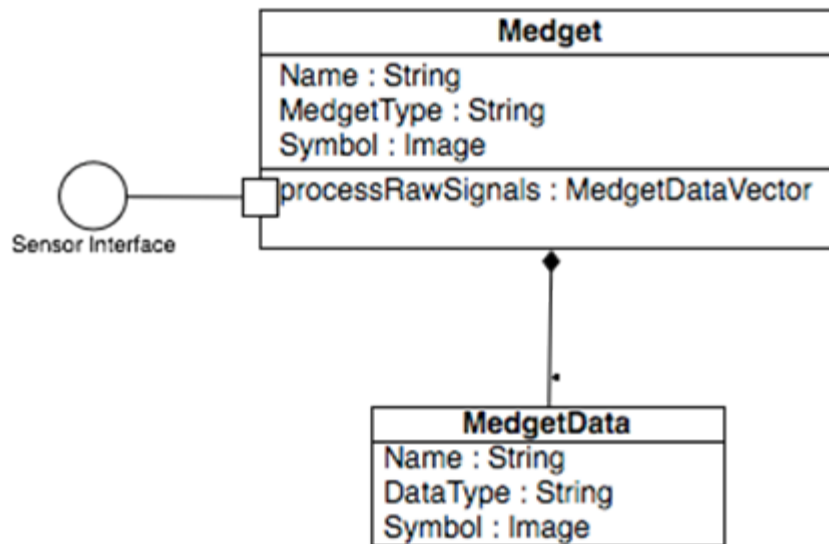
Application Scenario



Modeling the Sensor and Data

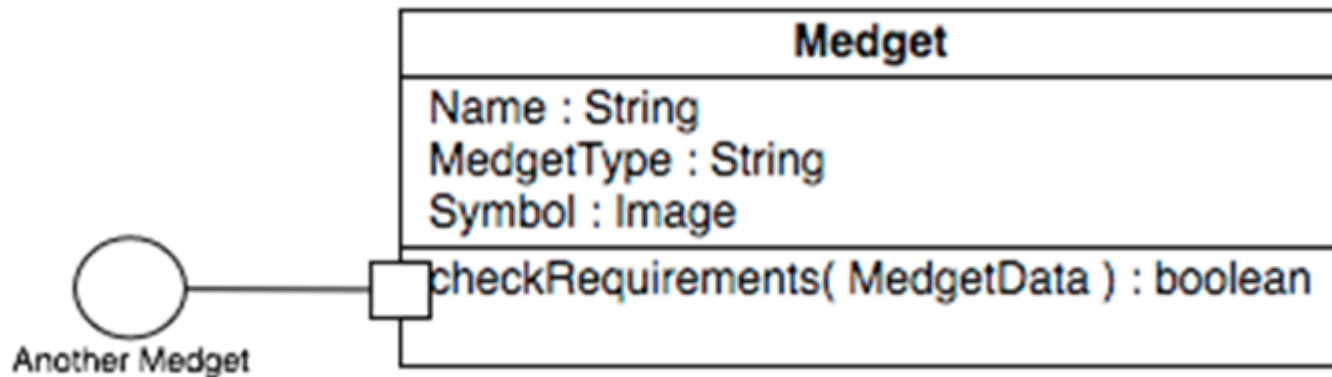


Modeling the Sensor and Data

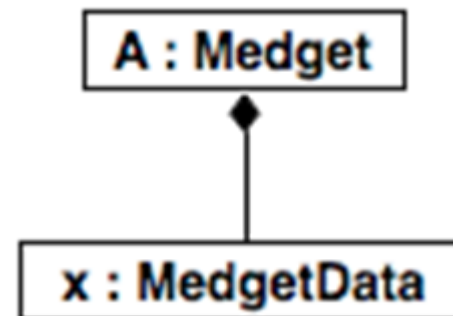


Modeling the Sensor and Data

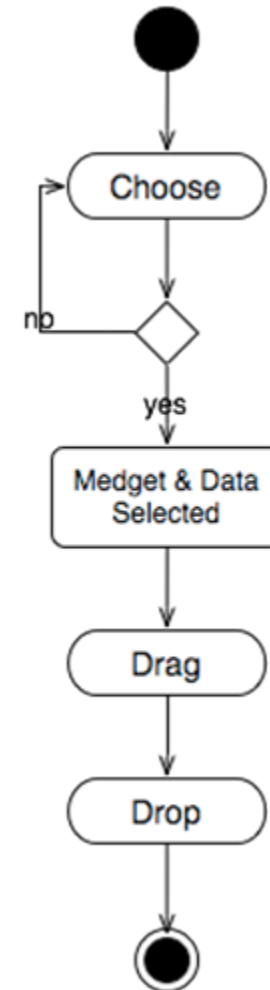
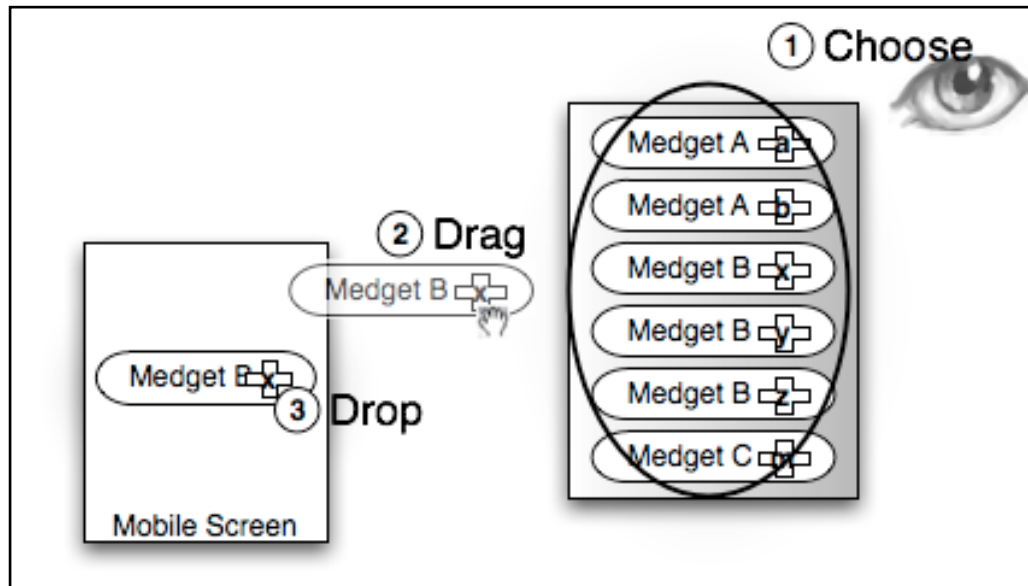
- Dealing with complex scenarios wherein input from one sensor is a prerequisite for another sensor



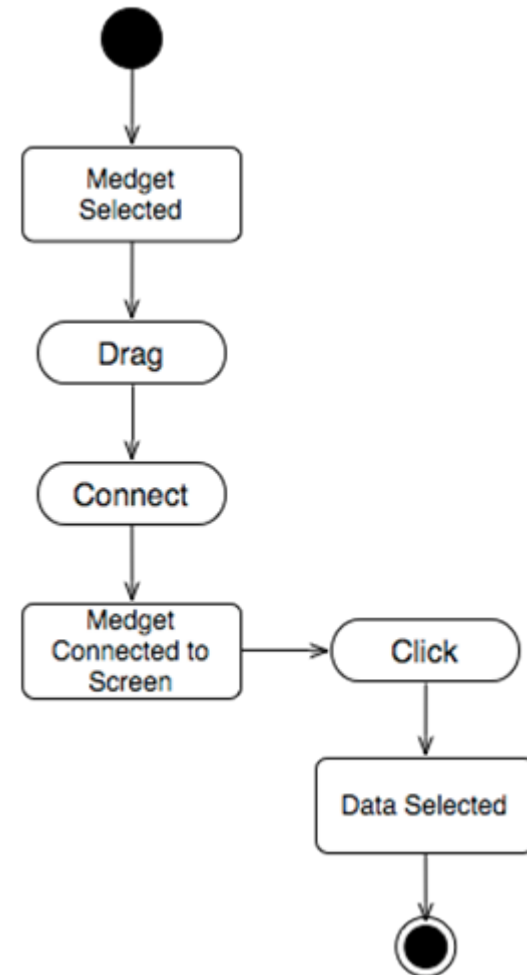
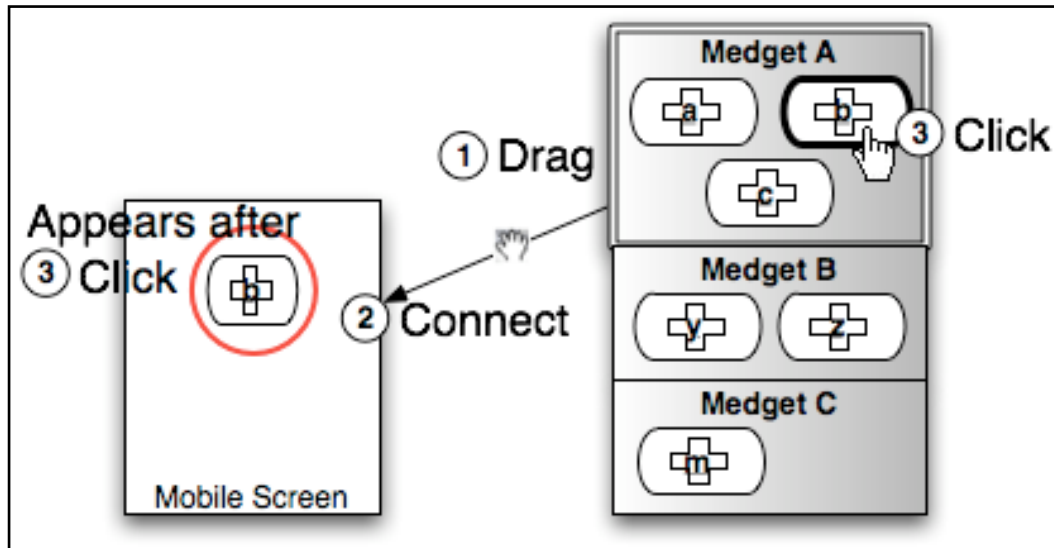
- Given
 - Medget Instances: A, B, C
 - Medget Data: x, y, z, a, b
 - Actions: Choose, Drag, Drop, Click, Connect
- User's Goal
 - Select the Medget A and the MedgetData x



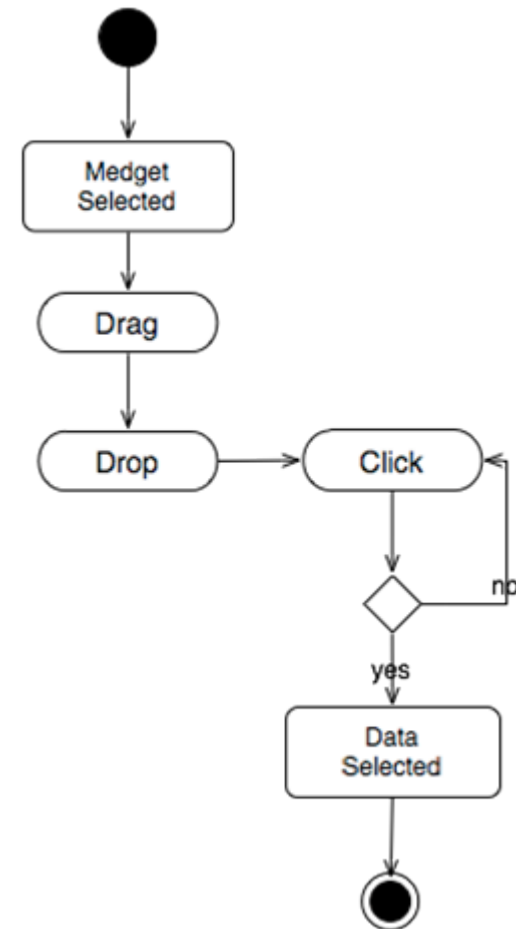
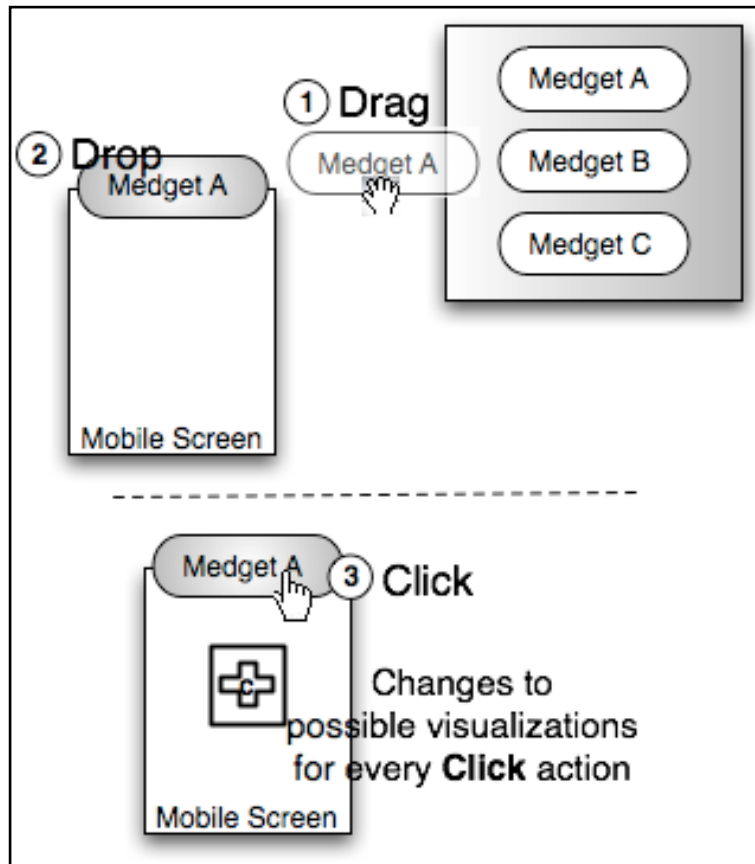
Choose, Drag and Drop



Drag, Connect and Click



Drag, Drop and Click



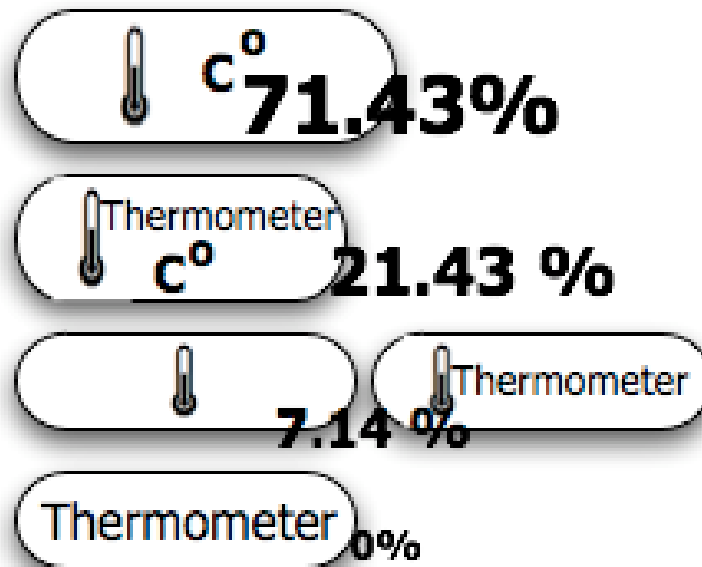
- Open Questions
 - Evaluating the interactions
 - Efficient?
 - Intuitive?
 - Easily Learnable?

- Preferred
 - Presentation of a Medget and Related data
 - Presentation of all Available Medgets
 - Preferred Interaction Technique

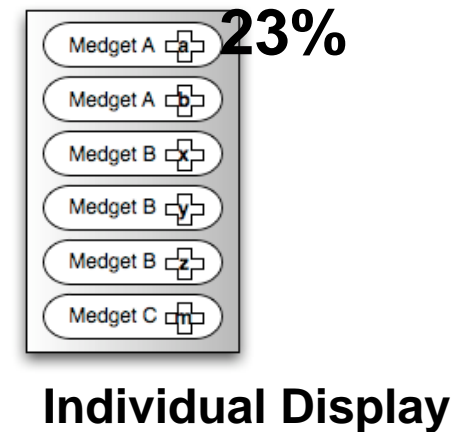
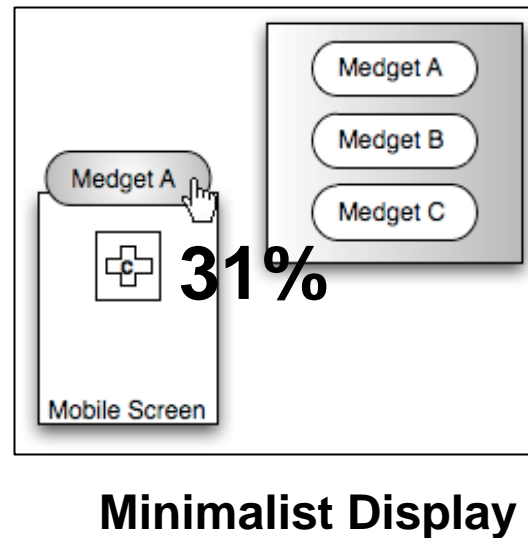
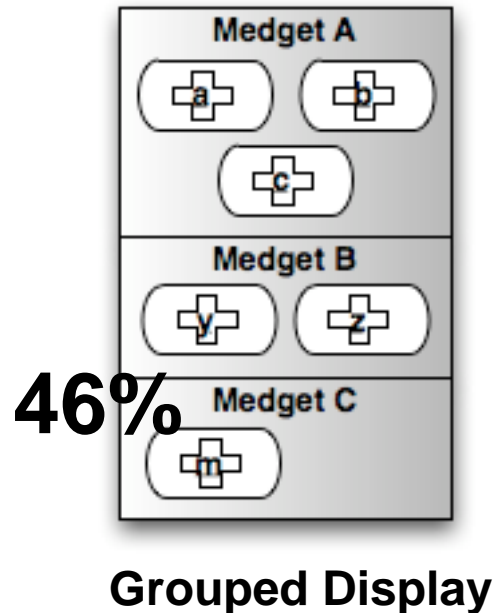
14 Participants



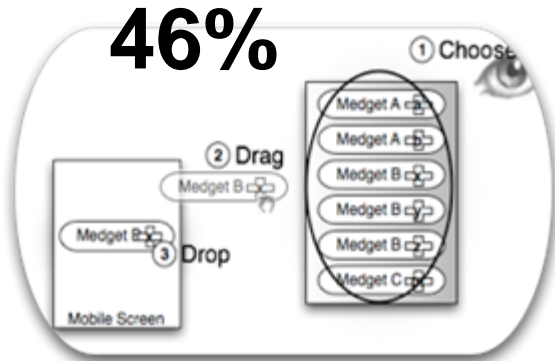
Presentation of a Medget & Related data



Presentation of all Available Medgets

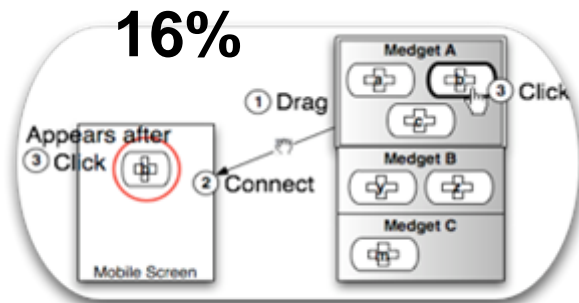
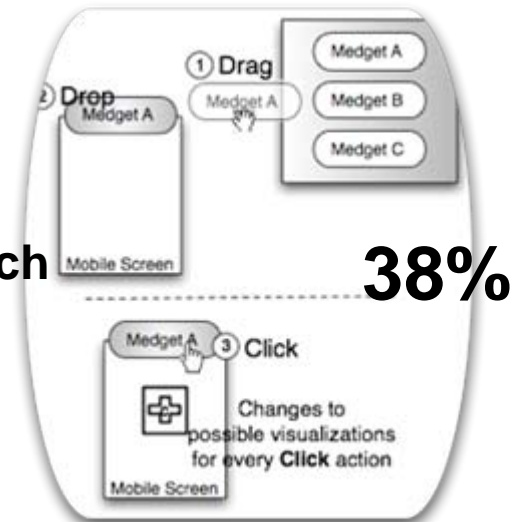


Preferred Interaction Technique



Choose, Drag and Drop Approach

Drag, Drop and Click Approach



Drag, Connect and Click Approach

- Overview of the Mobia Framework
- Medget Model Construct to represent information from wearable sensors used for mobile health monitoring
- Model User Interaction
- Evaluation results based on user preference

Thank you for your
attention.

Questions?

