

Simple setup of Ethernet control for Apogee Aspen cameras

Applicable to Apogee Aspen

This guide demonstrates how to setup Ethernet control of an Apogee Aspen camera using a network switch.

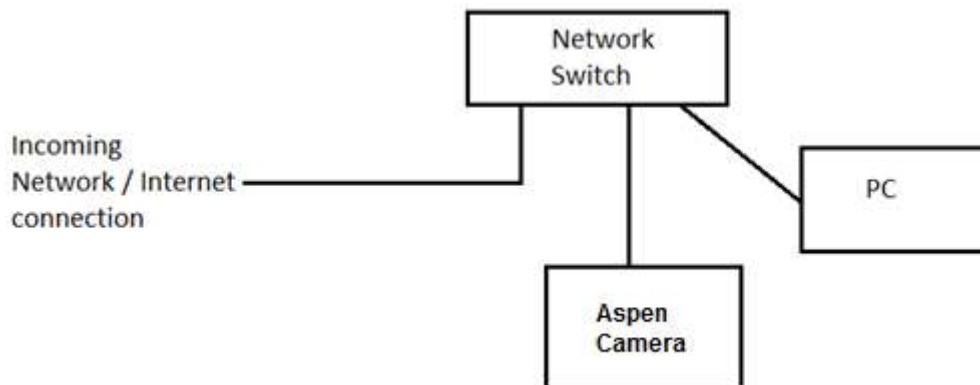
Initial considerations

If not already done so, download and install the Apogee SDK from the Andor website^[1]. Full instructions for installation of Apogee drivers can be found in the **Apogee Driver Installation and Verification test** document in the Support section of the Andor website^[2].

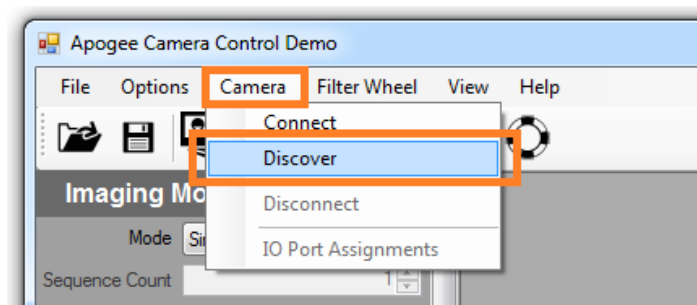
For demonstration and verification purposes, this document has been created using an Aspen camera on the *Apogee Camera Control Demo Program*, freely available from the Andor website^[3]. The following process will be similar for other applications.

Ethernet Communication Setup

- Ensure the USB cable is disconnected from the camera.
- Using a network switch and Ethernet cables connect the switch, camera and PC together as shown in the diagram below before powering up the camera.



- Run the *Apogee Camera Control Demo Program*. The operating system may generate a security warning when starting the program. Select *Run* to allow the program to start.
- When the program starts, select *Discover* from the *Camera* menu to open the Camera and Filter Wheel Selection Window

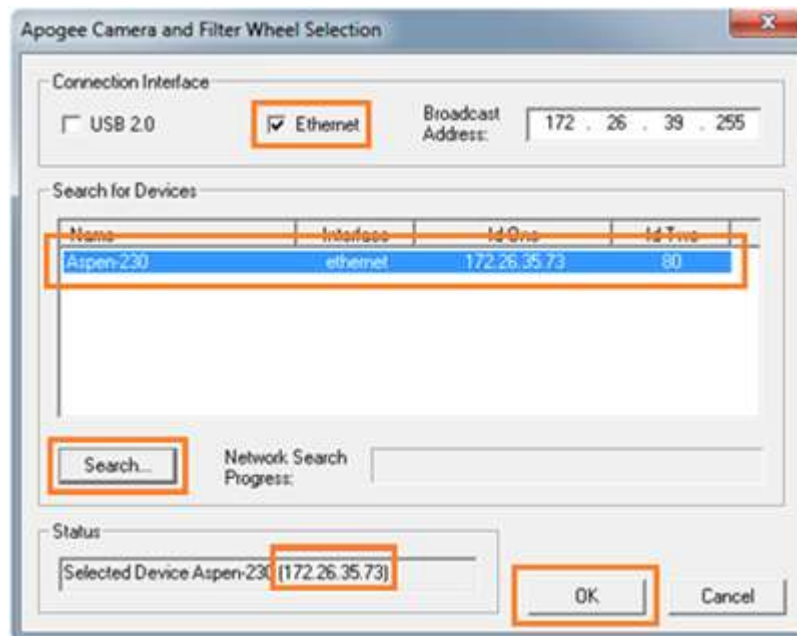


- Select *Ethernet* as the Connection Interface and then press the *Search* button.

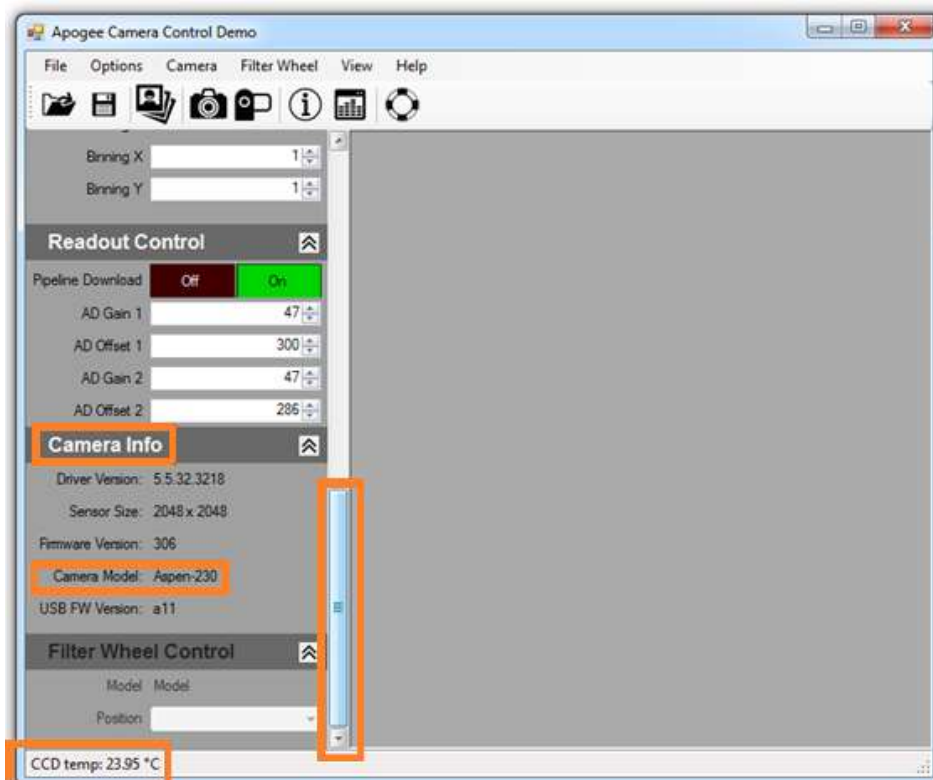
Any device that is detected will be listed in the *Search for Device* window.

Select the device you wish to control and then press OK.

Be sure to take a note of the camera IP address listed in the *Id One* field and in the selected device field.



- If the connection is successful then the camera model will be listed in the *Camera Info* section in the bottom left corner of the program Window. The CCD temperature will also be displayed indicating that the drivers have successfully been installed and the program can successfully communicate with the camera.



The camera IP address can be used to enable Ethernet control of the camera when using 3rd party software packages such as Maxim-DL.

If you require further information or assistance, please contact your local Andor Product Support representatives ^[2].

Useful links

^[1] Andor driver pack for Apogee cameras - <http://www.andor.com/pdfs/software/apgSwInstall-x86.zip>

^[2] Product Support - <http://www.andor.com/ContactSupport>

^[3] Apogee Camera Control Demo Program - <http://www.andor.com/pdfs/software/ApogeeCameraControlDemo.exe>.