

Towards the effectiveness of Deep Convolutional Neural Network based Fast Random Forest Classifier

Mrutyunjaya Panda

Reader, P.G.Department of Computer Science and Applications,
Utkal University, Vani Vihar, Bhubaneswar-751004, India
mrutyunjaya74@outlook.com

Abstract

Deep Learning is considered to be a quite young in the area of machine learning research, found its effectiveness in dealing complex yet high dimensional dataset that includes but limited to: images, text and speech etc. with multiple levels of representation and abstraction. As there are plethora of research on these datasets by various researchers, a win over them needs a lots of attention. Careful setting of Deep learning parameters are of paramount importance in order to avoid the overfitting unlike conventional methods with limited parameter settings. Deep Convolutional neural network (DCNN) with multiple layer of compositions and appropriate settings might be is an efficient machine learning method that can outperform the conventional methods in a great way. However, due to its slow adoption in learning, there are also always a chance of overfitting during feature selection process, which can be addressed by employing a regularization method called “dropout”. Fast Random Forest (FRF) is a powerful ensemble classifier especially when the datasets are noisy and when the number of attributes are large in comparison to the number of instances, as is the case of Bioinformatics datasets. Several publicly available Bioinformatics dataset, Handwritten digits recognition and Image segmentation dataset are considered for evaluation of the proposed approach. The excellent performance obtained by the proposed DCNN based feature selection with FRF classifier on high dimensional datasets makes it a fast and accurate classifier in comparison the state-of-the-art.

Key word: Deep Learning, Convolutional neural Network, dropout, Fast Random Forest, Bioinformatics, Handwritten digits, segmentation, Classification, t-test

1. Introduction

Today's Data Scientists working in many reputed organizations such as: Google and Microsoft etc. are paying attentions to high focus areas such as: Deep learning and Big data Analytic. It is envisaged that Deep learning is an invaluable ingredient for the big data analytic for analyzing the large volume of complex data for feature extraction at the highest abstraction levels. It is also observed that Deep learning algorithms are motivated from the artificial intelligence where the deep layered hierarchical learning is performed in the neocortex region of human brain [1]. The empirical results obtained from various researchers opines that Deep learning architecture presents some interesting classification results when applied to Computer Vision [2], Image processing [2], speech recognition [3] etc.

As the size of the datasets are growing rapidly, an efficient machine learning technique is needed that can not only address the curse of dimensionality but also generate enough simulated collisions to describe the relative likelihoods from the full feature space of the original data [4]. While Conventional Neural network is assumed to be a “shallow” classifier with a single Hidden layer unit in dealing with a complex relative likelihood function, a deep neural network with fewer hidden units may be an alternative to alleviate this problem but at the cost of slow training [5]. Afterwards, it is proposed by various researchers that using some randomized algorithms such as ‘dropout’ [6], use of large training data or unsupervised stacked encoders [7] can effectively address this situation.

As pointed out, the shallow neural network can not be extended to become a multilayer neural network, Deep Convolutional neural network is proposed by LeCun [8] and are implemented with linear convolutions followed by non-linearities, over typically more than five layers. Deep Convolutional Neural Network (DCNN) which is Inspired by the mammalian visual system have recently witnesses the state-of-the-art performances for the image datasets [9] with dimensions more than 106 and for the thousands of complex classes [10].

Problem relevance:

The Bioinformatics datasets used in this paper are challenging for their small number of instances with relatively larger number of features and their possible interactions, which demands novel methods for performing efficient classification in terms of a fast accurate and robust classifier. To solve these issues of dimensionality with complex behavior among the features, deep learning techniques using DCNN is used for feature generation that makes ready for classification. Even though there are lots of promising classifiers are available, we consider fast Random forest (FRF), a variant of conventional random forest

of Classifier for our implementation with an aim that it will deal the above issues more dynamically, which shall be evident with our experimental results discussed later.

Goals and Objectives:

The goal of the paper is to primarily focus on the development of suitable deep Convolutional neural network model for efficient feature selection from high dimensional and complex datasets with their suitability to applications like: Bioinformatics, handwritten digits recognition and image segmentation, at the first instant and then, we apply fast random classifier (FRF), yet again a competitive one for classification purposes. In this paper, we show that a deep learning (DCNN) scoring function can combine with one of the best learning scoring functions that is based on random forest (FRF) for best classification accuracy. We conclude with the effectiveness of our proposed approach of combining DCNN by comparing with FRF classifier with the other available researches in the relative domain and highlight the future scope of research at last.

Scientific novelty:

The novelty of the paper lies with:

- (1) Development of an efficient feature generation technique using Deep Convolutional Neural Networks with dropouts, in complex and high dimensional datasets applied to : Bioinformatics, handwritten digit recognition and Image segmentation.
- (2) We propose to use a novel fast random forest Classifier on the features extracted from the DCNN methods to obtain a fast and accurate classifier.

2. Related Work

Tang (2013) [11] proposed a deep architecture using support vector machine in place of Softmax activation function for classification same as that proposed by (Zhong & Ghosh, 2000 [12]; Nagi et al., 2012 [13]) with minor novel contributions in using loss from L2-SVM rather than using hinge loss.

Yuan et al. (2012) [14] used CNN architecture based on UNIPEN English character dataset and Guyon, (1994) [15] for handwritten character recognition achieved recognition rates of 93.7% and 90.2% for lowercase and uppercase characters, respectively.

Zeng et al. (2015) [16] Proposed to use Convolutional neural network on ISH images with the application of invariant feature extractors and bag-of-words method for obtaining better gene expression patterns with average AUC of 0.894 ± 0.014 . Levi and Hassner (2015) [17] used CNN for accurate classification age and gender considering the small sample size of unconstrained images and concludes that their approach may well be find a place for large training set also.

Kanter and Veeramachaneni (2015) [18] developed deep feature synthesis, a feature extraction process that are based on human intuition with a generalized machine learning pipeline with a Gaussian copula process based approach applied to relational datasets and demand to achieve a winning score.

Raiko et al. (2015) [19] reviewed some recently used deep learning architectures and proposed a new iterative neural auto-regressive distribution estimator (NADE-k) and claim to have better prediction than the restricted Boltzmann machines and deep belief networks.

Liu et al. (2016) [20] used Deep Convolutional Neural network in the agriculture pest insects classification with proper parameter settings with dropout ratio, loss function etc. And achieved a average precision accuracy of 95.1%, better in comparison to others.

Yang et al. (2015) [21] proposed systematic feature learning method based on CNN for human activity recognition (HAR) problem and justifies that their proposed approach outperforms others related work presented in HAR algorithms with various benchmark datasets available.

Combination of Deep auto-encoders with batch mode reinforced learning algorithm is used to improve the topology of the feature space for policy planning using synthesized and real images (lange and Riedmiller, 2010) [22]

Tran, Phung and Venkatesh (2016) [23] proposed a new framework of integrating deep neural network with formal modeling of human behaviors by iteratively eliminating the least worthy items from the dataset. They apply their approach in Yahoo! Learning dataset using Gompertz distribution instead of commonly used Plackette-Luce method. Uppu et al. (2016) [24] used deep feed-forward neural network in order to effectively address the complexity of phenotype-genotype mapping those are responsible for a disease risk. They evaluated with a number of simulated datasets and conclude that they obtain significantly better predictive accuracy in comparison the other available approaches.

Abdel-Zaher and Eldeib (2015) [25] proposed to use a back-propagation model with initial weights are taken from Deep Belief Network and learning using Liebenberg Marquardt function for Wisconsin-breast cancer detection. They claim that their approach provides an average accuracy of 99.68% in comparison to the others after performing the experiments in several train-test partitions.

Cao et al. (2013) [26] suggested that due to challenges posed by electron microscopy (EM) images during image reconstruction, an automatic image segmentation approach is proposed using CNN-RF hybrid on the benchmarks for ISBI2012 EM Segmentation Challenge. They claim that their approach is effective in producing low error rates in terms of Rand Error, Warping error and Pixel error.

Emmerson and Bradley (2013) [27] pointed out the effectiveness of Deep Belief network (DBN) on medical imaging problem, conducted experiments on images obtained from Queensland Medical Laboratory (QML) AutoCyte Cervical Cancer dataset, Wisconsin Breast cancer dataset and MNIST Handwriting Recognition datasets. They compared the DBN performance with already established Naive Bayes, K-Nearest Classifier, Multilayer perceptron and Support vector machine classifiers. Finally, They found that their proposed DBN is outperformed by simple naive Bayes and K-nearest neighbor classifier with high accuracy and concluded that some good results are obtained for image datasets than the other two ones.

Extensive experiments are performed by Dittman et al. (2015) [28] on 15 imbalanced Bioinformatics datasets using Random forest classifier with random under-sampling and two post sampling methods for improving the performance of the classifier. However, they concluded that these sampling methods are not necessary in case of Random forest classifier as they won't add any more performance advancement, as the classifier is robust on its own in dealing the class imbalance problem more effectively and efficiently.

Maji et al. (2015) [29] proposed an ensemble learning based combination method using unsupervised denoising autoencoder (DAE) and DNN for detection of blood vessels in fundus color image. This is followed by supervised DNN-Random forest hybrid for the same purpose and finally, concluded to achieve an accuracy of 93.27%.

Tripathy et al. (2016) [30] proposed to use a DNN for modeling a fast and accurate classifier to identify long non-coding RNA in cellular functions. They applied DNN into dataset collected from LNCipedia and RefSeq database and known human genome dataset and found the accuracy of 98.07% and 99% respectively. Jo et al. (2015) [31] presented a deep learning network (DN-fold) for protein fold recognition, applied to Lindahl's benchmark dataset and on a large benchmark set extracted from SCOP 1.75 consisting of about one million protein pairs, at three different levels of fold recognition. They compared the methods with 18 known ones and found their method with good accuracy.

Pratta et al. (2016) [32] proposed a CNN approach to diagnose diabetic retinopathy (DR) through color fundus image and to classify it correctly. They train the CNN with high end graphics processor unit on Kaggle dataset and claim to obtain accuracy of 75% on the validation of 5000 images.

Parameter setting also seems to be an important requirement for the success of deep learning implementation. To move in that direction, Ciresan et al. (2012) [33] stated that the classifier performance is increased when multiple neural network classifiers are used. Further, learning rate is kept at 0.45 and appropriate settings evaluated on MNIST handwritten color digit dataset, in place of gray scale ones.

Motivation:

Despite several challenges ahead, CNN considered to be a novel, emerging area of neural network research, which seems to produce better predictive accuracy for the larger datasets.

Contributions:

Our contribution mainly pointed on the following:

- To uncover the suitability of application of DCNN outside Image recognition task, where it has been popularly applied by many researchers.
- We propose to use Deep Convolutional Neural Network (DCNN) as a pre-processing step to select the best feature subset.
- We use the model to be tested with the use of a fast random forest classifier.
- The effectiveness of the hybrid DCNN-FRF is tested on diversified datasets such as: Bioinformatics, Segmentation and character recognition datasets, in terms of classification accuracy, time taken to build the model.

The remainder of the paper is structured as follows: Section 3 presents an overview of the Deep learning architectures and their working principles and suitability in the machine learning application. A detailed analysis of Fast Random Forest is provided in Section 4 for effective and efficient classifications. Section 5 presents the materials and methods used for experimentation followed by experimental results and discussion in Section 6. Finally, summary of the paper is presented in Section 7 to reiterate the achievement and put some insights to carry further research in the domain of Deep learning.

3. Deep Learning with CNN

Even though Deep CNN is somehow similar to linear Neural Network, the main difference lies on using a “Convolution” operator as a filter that can perform some complex operation with the help of convolution kernel. It is to be noted that for smoothing an image, Gaussian kernel and for obtaining edges of an image, Canny kernel and for gradient features, Gabor kernel as filter are widely used most in image processing applications. At the same, while comparing with Autoencoder and Restricted Boltzmann Machines, it is pointed out that DCNN is intended to find a set of locally connected neurons while the others learn from a single global weight matrix between two layers.

The central idea of using DCNN is not to be serious on using predefined kernels rather to learn data specific kernels where low-level features can be translated to the high level ones and learning is done from the spatially very close neurons.

3.1. Training DCNN:

The training process of DCNN consists of two phases: feed forward phase and back propagation phase. In the first phase, all the tasks are passes through the input layer to the output layer and the error are computed. Based the error obtained, back propagation phase starts with bias and weight updates for minimization of the error obtained in the first phase. Several additional parameters named as hyper-parameters such as: learning rate and momentum are set properly in the range of 0 to 1. Further, number of iterations (epochs) that are required for training is also to be mentioned, for an efficient learning of the DCNN model so that the error gradient shall below the minimum acceptable threshold. The learning rate should be chosen in such a way that it should not over-fit or over-train the model. The momentum value may be chosen with trial and error method for its best adaptability to the situations. It should be noted that if we chose high learning rate and high momentum value (close to 1), then there shall be always a chance that we may skip the minima.

3.2. DCNN Layers and Functions:

Initially, the concepts of Deep CNN was coined by LeCun in [34]. There are three layers in Deep Convolutional neural network such as: Input layer, one or more hidden layers, fully connected layers and output layer. The pre-processing process starts at the input layer by applying the whole dataset to it. The middle layer is the hidden layer which is the heart of the DCNN layer and the number of hidden layers to be used in this stage depends largely on the input data. Convolution function is the process that involves in scanning a data filter over the dataset used. The filter is thought of as an array of 2-D data of the size 3×3 , 5×5 or 7×7 etc. The set of nodes obtained from the convolution process are termed as feature maps. While the dataset used is the input to the first hidden layer, the number of feature maps obtained from the previous layers becomes the input for the subsequent hidden layers. At the same time, for each layer, the number of output feature maps shall be same as the number of filter that are to be used in the convolution process. Based on the type of convolution function used in the process, the size of the output feature maps can be determined. As the feature extraction process depends on the size and number of filters used in each hidden layer, processing the large dataset with huge parameters demand a high end computing environment with large memory capabilities for providing optimum performance. In this, use of random filter is a good choice that are represented in the range of $[-1, +1]$. The output from convolution process is applied to an activation function for linear or non-linear transformation across different layers so that the output falls in the range of $[-1, +1]$ or $[0, 1]$. Even though several activation functions available, we use rectified linear unit activation function for our analysis which says that for input x and output y , $f(y) = 1$, if $x > 0$, and $f(y) = 0$, otherwise. Finally, pooling function is used (here, we use max-pooling), for down sample and down size the input features map to half of its original size. Dimensionality reduction on the datasets shall be achieved by end of this stage.

Fully connected layer is the last but one to the DCNN layers where the result is obtained as a single vector after consolidating the previous layers single-node output feature maps. As this stage leads to perform classification on the dataset, proper weights and bias are applied in this layer so that the cost of mis-classification falls below a certain threshold or else the back-propagation process to get initiated for better weight and bias updates across layers for error minimization. Finally, the output layer presents the desired output. Different hyper-parameters such as learning rate and momentum are then specified to have a faster convergence.

In order to suitably address the slow training of large neural network while dealing with overfitting problems, some randomly chosen units are dropped (popularly known as Dropout) during the DCNN training [58].

4. Fast Random Forest (FRF)

After pre-processing is done with large datasets using DCNN process, the goal is to develop some efficient machine learning algorithm that can help to speed up the classification process and address the memory constraints effectively. We propose to use Fast random Forest (Wright and Ziegler; 2016;) [35] in our analysis looking into its strength in dealing with complex high dimensional datasets where the number of attributes are larger than the number of instances. (Boulesteix et al.; 2015) [36]

4.1. Algorithm description

Random Forest algorithm is a fast, highly flexible and fully non-parametric method which is an ensemble of decision trees that are built from a subset of data (Breiman; 2001) [37]. The other data instances those are not considered for decision tree construction are termed as out-of-bag (OOB) instances. The Gini index is used as splitting criteria for attribute selection. The proposed fast random forest algorithm uses one-time sorting by separating the lists for each predictor output in order to reduce the computational burden. Here, sorted lists are placed in main memory one at a time so that a class list with at least one list of sorted indices must always fit into main memory. The main motivation in using this FRF algorithm for classification of large, complex datasets in this paper, is mainly because of its ability to rank the attributes according to their predictive importance, which suits to our applications in Bioinformatics datasets, character recognition and segmentation datasets.

5. Materials and Methods

This section will perform three groups of experiments considering real-world datasets collected from three different application domains. The proposed methodology is shown in Figure 1.

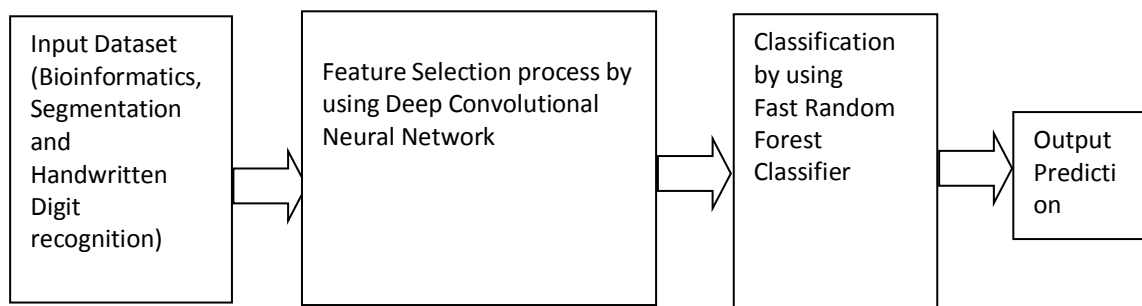


Figure 1: Proposed methodology

This section describes three different experiments on real world datasets in the application areas of Bioinformatics, handwritten digit recognition and Image segmentation. Further, the performance comparisons are conducted with other available approaches in the literature in terms of accuracy.

5.1. Data Set

We use Bioinformatics datasets for understanding the effectiveness of our proposed classification. We use Arrhythmia, Leukemia, Lymphoma and prostate cancer datasets for the experimentation. These are interesting as the datasets consist of more number of attributes than the number of instances. The number of attributes and instances for Arrhythmia, Leukemia, Lymphoma and prostate cancer datasets are 280,452; 7130,38; 4027,96 and 12601,102 respectively.

The second application datasets relate to Handwritten digit recognition dataset that include: Opt-digit, pen-digit and KDD Cup Japanese vowel datasets. Here, the number of attributes and samples are: 65, 5620; 17, 10992; and 15, 4274 respectively.

Third application is in image segmentation domain, where Segment and Landsat datasets are used for the analysis of the proposed approach. The segmentation data consists of 10 attributes and 2310 instances; the satellite image dataset (Landsat) consisting of 37 attributes and 4435 instances.

To evaluate the performance of different methods, we use feature selection process by using Deep convolution neural network. We use hidden two Convolutional layers in terms of (Number of feature maps, patch width, patch height, pool-width and pool-height) as: 20-5-5-2-2 and 100-5-5-2-2 and then with 6-3-3-2-2 and 12-3-3-2-2 for the performance comparison on diverse application domains. We use DCNN with batch size=100, learning rate=0.95, hidden layers drop out rate=0.5, input layer dropout rate =0.2, number of epochs=100 to train on the entire dataset.

For fast random forest, we chose to calculate the out-of-bag (OOB) error with number of batches for classification =100.

6. Experiment Setup and Results

All the experiments are conducted in a Intel core i5 processor with 1TB HDD, 2GB RAM, PC using Windows 8.1 under Java environment. We use 5-fold cross validation for testing the approach. The results obtained are shown in Table 1, Table 2 and Table 3 for DCNN applications to diverse datasets. Table 4, Table 5 and Table 6 presents the results obtained from the combination of DCNN and fast random forest classifiers, with an intention to further improve the accuracy obtained in the case of single DCNN classifier. We then compare the results with others in Table 7, Table 8 and table 9. Finally, statistical significance test were carried out to conclude the most significant classifiers in all the application domains.

6.1. Experimental Results-1: CNN as classifier with 20-5-5-2-2 and 100-5-5-2-2

Table 1: DCNN with Bioinformatics dataset

Sl.No.	Bioinformatics Dataset	No. Of Attributes	No. Of Instances	Time taken to build the model in seconds	Accuracy in %
1	Lymphoma	4027	96	78.56	29.17
2	Arrhythmia	280	452	305.09	65.58
3	Leukemia	7130	38	4.49	100
4	Dermatology	35	366	4.51	30.61

Table 2: DCNN with Image dataset

Sl.No.	Image dataset	No. Of Attributes	No. Of Instances	Time taken to build the model in seconds	Accuracy in %
1	Segmentation	10	2310	0.73	89.34
2	Landsat	37	4435	4.64	23.05

Table 3: DCNN with Handwritten digit dataset

Sl.No.	Handwritten Digit Recognition dataset	No. Of Attributes	No. Of Instances	Time taken to build the model in seconds	Accuracy in %
1	Japanese	15	4274	162.43	13.69
2	Opt digit	65	5620	173.25	9.57
3	Pen digits	17	10992	35.68	9.98

6.2. Experimental Results-2: CNN with 6-3-3-2-2 and 12-3-3-2-2+FRF Classifier

Table 4: DCNN+FRF with Bioinformatics dataset

Sl.No.	Bioinformatics Dataset	No. Of Attributes	No. Of Instances	Random Features	OOB error	Time taken to build the model in seconds	Accuracy in %
1	Lymphoma	4027	96	12	0.1979	0.86	81.25
2	Arrhythmia	280	452	9	0.3142	0.95	70.78
3	Leukemia	7130	38	13	0.1351	0.34	81.58
4	Dermatology	35	366	6	0.0273	0.05	95.91

Table 5: DCNN+FRF with Image dataset

Sl.No.	Image dataset	No. Of Attributes	No. Of Instances	Random Features	OOB error	Time taken to build the model in seconds	Accuracy in %
1	Segmentation	10	2310	5	0.0186	0.73	97.49
2	Landsat	37	4435	4	0.021	2.09	91.28

Table 6: DCNN+FRF with Handwritten digit dataset

Sl.No.	Handwritten Digit Recognition dataset	No. Of Attributes	No. Of Instances	Random Features	OOB error	Time taken to build the model in seconds	Accuracy in %
1	Japanese	15	4274	4	0.0236	1.88	97.31
2	Opt digit	65	5620	7	0.019	2.5	98.21
3	Pen digits	17	10992	5	0.0089	4.19	99.06

While comparing with the results obtained from our approach with different Deep Convolutional neural Network settings (Table 1, Table 2 and Table 3 with Table 4, Table 5 and Table 6) in Experimental results 1 and Experimental results 2, one can argue that choosing the right setting is most important to see that DCNN with FRF produce accurate classifier for all datasets. The result confirms that DCNN with 6-3-3-2-2 and 12-3-3-2-2+FRF enhances the accuracy for all the datasets except leukemia data in comparison to DCNN as single classifier with 20-5-5-2-2 and 100-5-5-2-2 without pre-processing. Further, extensive search is made to find out the relevant papers those using deep learning for all the application domain dataset for comparison with our obtained result to provide an amicable solutions. The comparisons are provided in Table 7, Table 8 and Table 9 for Bioinformatics, Image and Handwritten digit recognition dataset respectively.

Table 7: Comparison with state of the art for Bioinformatics dataset

A. Arrhythmia	
Algorithm	Accuracy (%)
Autoencoder [45]	52.6
SVDD [45]	55.7
ELM [45]	52.8
DCNN+FRF [ours]	70.78
B. Lymphoma	
Algorithm	Accuracy (%)
Hybrid BPNN+GA [39]	85.65
DCNN+FRF [ours]	81.25
C. Leukemia	
Algorithm	Accuracy (%)
aRBm [38]	96.1
DBN [40]	98.6
Hybrid BPNN+GA [39]	89.33
DCNN+FRF [ours]	81.58
D. Dermatology	
Algorithm	Accuracy (%)
AECOC [51]	96.99
DCNN+FRF [ours]	96.2

Table 8: Comparison with others for Image dataset

A. Segmentation Data	
Algorithm	Accuracy (%)
AECOC [51]	93.29
US-ELM [52]	74.5
DCNN+FRF (ours)	97.49
B. Landsat- Satellite Image Dataset	
Algorithm	Accuracy (%)
MLP-BPNN [54]	89.3
AECOC [51]	85.72
ANOVA-KERNEL SVM [57]	82.87
DCNN+FRF (ours)	91.28

Table 9: Comparison with others for Handwritten Digit recognition datasets

A. OptDigit Dataset	
Algorithm	Accuracy (%)
LDNN [55]	97.71
AECOC [51]	97.95
ABC-Boost [50]	97.5
AdaBoost.MH [56]	98
DCNN+FRF (ours)	98.21
B. PenDigit	
Algorithm	Accuracy (%)
LDNN [55]	98.2
STKG-PSVM-k5-M [41]	98.94
Gaussian Interpolation Kernel [42]	97.3
Discrete SVM [43]	97.2
ABC-Boost [50]	72
AdaBoost.MH[56]	97.9
AECOC [51]	96.84
DCNN+FRF[ours]	99.06
C. KDD Cup Japaneses Vowels	
Algorithm	Accuracy
STKG-PSVM-k5-M [41]	98.75
Gaussian Interpolation Kernel [42]	97.29
Discrete SVM [43]	96.7
DCNN+FRF (ours)	97.31

From all these analysis, it is quite evident that our DCNN+FRF model is either the most accurate one or very close to the most accurate ones. It can also be seen that the proposed DCNN+FRF performs well when the number of instances in the dataset are large. Hence, it may well be suited to perform better when can effectively be applied to big data analytic.

6.3. Statistical Significance Test:

Finally, we perform two tailed pairwise t-test as a part of statistical significance test for measuring the most efficient classifiers for all the dataset used in the paper. It is customary to mention here that non-parametric two tailed paired t-tests compare two sample means (here accuracy) in order to find the difference between them. One considered to be statistically significant then the other if the p-value falls below 0.05 at 95% significance level.

It is observed from the statistical test that all are equally significant and hence cannot reject the null hypothesis.

7. Conclusion and Future Scope

In this paper, we have shown the effectiveness of deep Convolutional neural network as a feature selection approach with the use of fast random classifier to perform an efficient classification task. We have demonstrate the effectiveness of our approach by performing extensive simulation over three most promising application domains such as: Bioinformatics, Image and Handwritten digit recognition. The comparison with the others related work with test of statistical significance demands the suitability of our proposed classifier in a promising way. In future, we shall concentrate our work to improve the classification with more developments in DCNN architecture with application to some big complex yet noisy datasets.

References

- [1] M. M. Najafabadi, F. Villanustre, T. M. Khoshgoftaar, N. Seliya, R. Wald and E. Muharemagic, Deep learning applications and challenges in big data analytics, *Journal of Big Data*, 2:1, pp. 1-21, 2015.
- [2] A. Krizhevsky, I. Sutskever and G. Hinton, Imagenet classification with deep Convolutional neural networks. In: *Advances in Neural Information Processing Systems*. Vol. 25. pp 1106–1114, 2012.
- [3] G. Hinton, L. Deng, D. Yu, A-R Mohamed, N. Jaitly, A. Senior, V. Vanhoucke, P. Nguyen, T. Sainath, G. Dahl and B. Kingsbury, Deep neural networks for acoustic modeling in speech recognition: The shared views of four research groups. *IEEE Signal Process Mag*, 29(6):82–97, 2012.
- [4] P. Baldi, P. Sadowski, and D. Whiteson, Searching for Exotic Particles in High-Energy Physics with Deep Learning, arXiv:1402.4735v2, 2014.
- [5] Y. Bengio, P. Simard and P. Frasconi, Learning long-term dependencies with gradient descent is difficult, *IEEE Transactions on Neural Networks*, 5, 157–166, 1994.
- [6] P. Baldi and P. Sadowski, The dropout learning algorithm, *Artificial Intelligence* 210, 78–122, 2014, Elsevier.
- [7] G. E. Hinton, S. Osindero and Y.-W. Teh, A fast learning algorithm for deep belief nets, *Neural Computation*, 18, 1527–1554, 2006.
- [8] Y. LeCun, Y. Bengio and G. Hinton, Deep learning, *Nature*, 521, 436–444, 2015. (doi:10.1038/nature14539)
- [9] A. Krizhevsky, I. Sutskever and G. Hinton, ImageNet classification with deep Convolutional neural networks. In: *Proc. 26th Annual Conf. On Neural Information Processing Systems*, Lake Tahoe, NV, 3–6 December 2012, pp. 1090–1098.
- [10] S. Mallat, Understanding deep Convolutional networks. *Phil.Trans.R.Soc.* A374:20150203. <http://dx.doi.org/10.1098/rsta.2015.0203>
- [11] Y. Tang, Deep Learning using Linear Support Vector Machines, *International Conference on Machine Learning 2013: Challenges in Representation Learning Workshop*. Atlanta, Georgia, USA, arXiv:1306.0239v4
- [12] S. Zhong and Joydeep Ghosh, Decision boundary focused neural network classifier, In: *Intelligent Engineering Systems Through Artificial Neural Networks*, 2000. <http://citeseerx.ist.psu.edu/viewdoc/download?doi=10.1.1.33.6151&rep=rep1&type=pdf>
- [13] J. Nagi, G. A. Di Caro, A. Giusti, F. Nagi and L. Gambardella, Convolutional Neural Support Vector Machines: Hybrid visual pattern classifiers for multirobot systems. In *Proceedings of the 11th International Conference on Machine Learning and Applications (ICMLA)*, Boca Raton, Florida, USA, December 12–15, 2012, pp. 27-32.
- [14] G. B. Yuan, L. J. Bai and Y. Liu, Offline handwritten English character recognition based on Convolutional neural network, in: *10th IAPR International Workshop on Document Analysis Systems (DAS)*, pp. 125-129, 2012. doi: 10.1109/DAS.2012.61.
- [15] L. Guyon, R. Schomaker, M. Plamondon, M. Liberman, and S. Janet, Unipen project of on-line data exchange and recognizer benchmarks, in: *proc. of 12th International. Conference on Pattern Recognition (ICPR)*, vol. 2, pp. 29–33, IEEE, 1994.
- [16] T. Zeng, R. Li, R. Mukkamala, J. Ye and S. Ji, Deep Convolutional neural networks for annotating gene expression patterns in the mouse brain, *BMC Bioinformatics*, 16:147, pp. 1-10, 2015.
- [17] G. Levi and T. Hassner, Age and Gender Classification using Convolutional Neural Networks, *IEEE Workshop on Analysis and Modeling of Faces and Gestures (AMFG)*, at the IEEE Conf. on

- Computer Vision and Pattern Recognition (CVPR), Boston, June 2015. http://www.openu.ac.il/home/hassner/projects/cnn_agegender/CNN_AgeGenderEstimation.pdf
- [18] J. M. Kanter and K. Veeramachaneni, Deep Feature Synthesis: Towards Automating Data Science Endeavors, IEEE/ACM Data Science and Advance Analytics Conference, IEEE, pp. 1-10, 2015.
- [19] Tapani Raiko, Li Yao, Kyunghyun Cho, Yoshua Bengio, Iterative Neural Auto regressive Distribution Estimator (NADE-k), 2014. <https://arxiv.org/abs/1406.1485>
- [20] Z. Liu, J. Gao, G. Yang, H. Zhang and Y. He, Localization and Classification of Paddy Field Pests using a Saliency Map and Deep Convolutional Neural Network, Scientific Reports 6, 20410, pp. 1-12, 2016, Nature. <http://www.nature.com/articles/srep20410>
- [21] J. B. Yang, M. N. Nguyen, P. P. San, X. Li, S. Krishnaswamy, Deep Convolutional Neural Networks On Multi channel Time Series For Human Activity Recognition, Proceedings of the Twenty-Fourth International Joint Conference on Artificial Intelligence (IJCAI 2015), pp.3995-4001.
- [22] S. Lange and M. Riedmiller, Deep Auto-Encoder Neural Networks in Reinforcement Learning, The 2010 International Joint Conference on Neural Networks (IJCNN), pp. 1-8, IEEE.
- [23] T. Tran, D. Phung and S. Venkatesh, Choice by Elimination via Deep Neural Networks, 2016. <https://arxiv.org/pdf/1602.05285.pdf>
- [24] S. Uppu, A. Krishna, R. P. Gopalan, Towards deep learning in genome-wide association interaction studies, 2016. <http://www.pacis2016.org/Abstract/ALL/682.pdf>
- [25] A. M. Abdel-Zaher and A. M. Eldeib, Breast Cancer Classification Using Deep Belief Networks, Expert Systems With Applications, 2015, Elsevier. doi: 10.1016/j.eswa.2015.10.015
- [26] G. Cao, S. Wang, B. Wei, Y. Yin and G. Yang, A Hybrid CNN-RF Method for Electron Microscopy Images Segmentation, Tissue Engineering, J. Biomim Biomater Tissue Eng 2013, 18:2 pp. 1-6, 2013. <http://dx.doi.org/10.4172/1662-100X.1000114>
- [27] A. G. Emmerson and A. P. Bradley, Deep Belief Networks for Medical Diagnosis, 2013, http://embc.embs.org/files/2013/3242_FL.pdf
- [28] D. J. Dittman, T. M. Khoshgoftaar and A. Napolitano, The Effect of Data Sampling When Using Random Forest on Imbalanced Bioinformatics Data, IEEE 16th International Conference on Information Reuse and Integration, pp. 457-463, 2015.
- [29] D. Maji, A. Santara, S. Ghosh, D. Sheet and P. Mitra, Deep Neural Network and Random Forest Hybrid Architecture for Learning to Detect Retinal Vessels in Fundus Images, Engineering in Medicine and Biology Society (EMBC), 2015 37th Annual International Conference of the IEEE, 3029-3032, IEEE, 2015.
- [30] R. Tripathi, S. Patel, V. Kumari, P. Chakraborty and P. K. Varadwaj, DeepLNC, a long non-coding RNA prediction tool using deep neural network, Netw Model Anal Health Inform Bioinforma, 5:21, 1-14, 2016.
- [31] T. Jo, J. Hou, J. Eickholt and J. Cheng, Improving Protein Fold Recognition by Deep Learning Networks, Scientific Reports, 5:17573, Nature. <http://www.nature.com/articles/srep17573>
- [32] H. Pratta, F. Coenenb, D. M. Broadbent, S. P. Harding and Y. Zhenga, Convolutional Neural Networks for Diabetic Retinopathy, International Conference On Medical Imaging Understanding and Analysis, MIUA 2016, Procedia of computer science, pp. 1-6, Elsevier.
- [33] D. Ciresan, U. Meier and J. Schmidhuber, Multi-column deep neural networks for image classification, IEEE Conference on Computer Vision and Pattern Recognition (CVPR), pp. 3642-3649, 2012.
- [34] Y. LeCun, K. Kavukcuoglu and C. F. Farabet, Convolutional Networks and Applications in Vision, In: Proc. International Symposium on Circuits and Systems (ISCAS'10), pp.253-256, IEEE, 2010.
- [35] M. N. Wright and A. Ziegler, ranger: A Fast Implementation of Random Forests for High Dimensional Data in C++ and R. Journal of Statistical Software, arXiv preprint arXiv:1508.04409, 2015.
- [36] A.-L. Boulesteix, S. Janitza, A. Hapfelmeier, K. Van Steen and C. Strobl, Letter to the editor: On the term 'interaction' and related phrases in the literature on random forests, Briefings in Bioinformatics 16(2): 338-345, 2015.
- [37] L. Breiman, Random forests. Mach Learn, 45(1), 5-32, 2001.
- [38] W. Duch and T. Maszczyk, Almost Random projection machine, Artificial Neural Networks – ICANN 2009, Volume 5768 of the series Lecture Notes in Computer Science, pp 789-798, Springer.
- [39] M. Vimaladevi and B. Kalavathi, A microarray gene expression data classification using hybrid back propagation neural network and genetic algorithm, Genetika, 46(3), 1013-1026, 2014.

- [40] W. sae-Lim, W. Wettayaprasit and P. Aiyarak, Leukemia classification using Deep belief network, in: Proc. Of IASTED International Conference on Artificial Intelligence and Applications (AIA-2013), Austria, pp. 59-63.
- [41] O. J. prieto, C. J. Alonso-Gonzalez and J. J. Rodriguez, Stacking for multivariate time series classification, Pattern Analysis and Applications, 18, pp. 297-312, 2015, Springer.
- [42] K. R. Sivaramakrishnan, K. Karthik, C. Bhattacharya, Kernels for large margin time series classification, In: Proc. Of the International Joint Conference on Neural networks, IJCNN, pp. 2746-2751.
- [43] C. Orsenigo and C. Vercellis, Combining discrete SVM and fixed cardinality warping distances for multivariate time series classifications, Pattern recognition, 43(11), 3787-3794, 2010.
- [44] A. Haque, CArDiac Dysrhythmia detection with GPU accelerated neural networks, 2015. a term project for CS 229 Machine Learning, Stanford University (Autumn 2014) https://www.albert.cm/dl/arrhythmia_paper.pdf
- [45] Q. Leng, H. Qi, J. Mio, W. Zhu and G. Su, One-class classification with extreme learning machines, Mathematical problems in engineering, (2015), Article id-412957, pp. 1-11. Hindawi.
- [46] B. M. Al-Maqaleh and H. Shahbazkia, A genetic algorithm for discovering classification rules in Data Mining, International Journal of Computer Applications, 41(18), pp. 40-44, 2012.
- [47] R. Fakoor, F. Ladhak, A. Nazi and M. Huber, using Deep learning to enhance cancer diagnosis and classification, in: Proc. Of 30th International Conference on Machine Learning, Atlanta, USA, 2013. Journal of Machine Learning Research: W&CP, 28, pp.
- [48] S. Sreemath Tirumala and A. Narayanan, Attribute selection and classification of prostate cancer gene expression data using Artificial neural networks, In: Trends and Applications in Knowledge discovery in Data Mining, Book Chapter, Volume 9794 of the series Lecture Notes in Computer Science pp 26-34, Springer, 2016.
- [49] A. R. Rajana, R. Ptucha, S. Sinha B. Chinni, V. Dogra and N. A. Rao, Prostrate cancer detection using photoacoustic imaging, Image processing: Algorithm and systems XIV: IPAS-189.1-189.6, 2016.
- [50] Ping Li, ABC-Boost: Adaptive base class boost for multi-class classification, in: Proc. Of 26th International Conference on Machine Learning, 2009, <http://www.fodava.gatech.edu/files/reports/FODAVA-09-02.pdf>
- [51] G. Zhang and M. Cheriet, Adaptive error-correcting output codes, In: Proc. Of 23rd International joint conference Artificial Intelligence, 1932-1938, 2013, AAAI Press.
- [52] G. Huang, S. Song, J. N. D. Gupta and C. Wu, Semi-supervised and unsupervised extreme learning machines, IEEE Transaction on Cybernetics, 1-13, 2014.
- [53] A. Hoffman, R. K. wok and P. Compton, Using sub-classes to improve classification learning, Proceedings of the 12th European Conference on Machine Learning, 203-213, 2001. <http://www.cse.unsw.edu.au/~achim/PDFs/ECML01.pdf>
- [54] S. Ghosh, S. Biswas, D. Sarkar and P. P. Sarkar, A tutorial on different classification technique for remotely sensed imagery datasets, Smart computing review, 4(91), 34-43, 2014.
- [55] M. Sajjadi, M. Seyedhosseni and T. Tasdizen, Disjunctive normal network, Arxiv: 1412.8534v1, 1-12, 2014.
- [56] B. Kegl, The return of AdaBoost.MH: Multi-class hamming trees, Arxiv, 2013. <https://arxiv.org/pdf/1312.6086.pdf>
- [57] V. Iyer, S. Shetty and S. S. Iyengar, statistical methods in AI: Rare events learning using associative rules and higher order statistics, ISPRAS Annals of the photogrammetry, remote sensing and spatial information sciences, Vol. 11-4/w2, pp. 119-130, 2015.
- [58] N. Srivastava, G. Hinton, A. Krizhevsky, I. Sutskever and R. Salakhutdinov, Dropout: A Simple Way to Prevent Neural Networks from Overfitting, Journal of Machine Learning Research, 15, pp. 1929-1958, 2014.