

Swapping Evaluation: A Memory-Scalable Solution for Answer-On-Demand Tabling

Pablo Chico de Guzmán
U. Politécnica de Madrid
pchico@clip.dia.fi.upm.es

Manuel Carro
U. Politécnica de Madrid
mcarro@fi.upm.es

David S. Warren
State University of New York at Stony Brook
warren@cs.sunysb.edu

Abstract

One of the differences among the various approaches to suspension-based tabled evaluation is the scheduling strategy. The two most popular strategies are *local* and *batched* evaluation. The former collects all the solutions to a tabled predicate before making any one of them available outside the tabled computation. The latter returns answers one by one before computing them all, which in principle is better if only one answer (or a subset of the answers) is desired. Batched evaluation is closer to SLD evaluation in that it computes solutions lazily as they are demanded, but it may need arbitrarily more memory than local evaluation, which is able to reclaim memory sooner. Some programs which in practice can be executed under the local strategy quickly run out of memory under batched evaluation. This has led to the general adoption of local evaluation at the expense of the more depth-first batched strategy. In this paper we study the reasons for the high memory consumption of batched evaluation and propose a new scheduling strategy which we have termed *swapping evaluation*. Swapping evaluation also returns answers one by one before completing a tabled call, but its memory usage can be orders of magnitude less than batched evaluation. An experimental implementation in the XSB system shows that swapping evaluation is a feasible memory-scalable strategy that need not compromise execution speed.

KEYWORDS: Logic Programming, Tabling, Implementation, On-Demand Answers, Performance.

1 Introduction.

Tabling (Tamaki and Sato 1986; Warren 1992; Chen and Warren 1996) is a strategy for executing logic programs that remembers subgoal calls and their answers to respond to future calls. This strategy overcomes several of the limitations of the SLD resolution strategy. In particular, it guarantees termination for programs with the bounded term size property and can improve efficiency in programs which repeatedly perform some computation. These characteristics help make logic programs less dependent on the order of clauses and goals in a clause, thereby bringing operational and declarative semantics closer together. Tabled evaluation has been successfully applied to deductive databases (Ramakrishnan and Ullman 1993), program analysis (Warren et al. 1988; Dawson et al. 1996), semantic Web reasoning (Zou et al. 2005), model checking (Ramakrishna et al. 1997), etc.

One of the key decisions in the implementation of tabled evaluation is when to return new answers to subsequent calls (called consumers), i.e., the *scheduling strategy*. Two main scheduling strategies have been studied and applied so far: *local* and *batched* (Freire et al. 2001).

Local scheduling computes *all* the answers of a generator (the first appearance of

a call to a tabled predicate) before returning them outside the generator subtree. It is efficient in terms of time and stack usage when all answers are needed. It is also efficient when an answer maximizing or minimizing some metric is required, because usually *all* the answers are available when it comes to computing the extremal one.

Batched evaluation returns answers as soon as they are available. It is efficient for finding the first answer (or, in general, some but not all answers) of a tabled predicate and for parallelizing tabled evaluations: in parallel local evaluation, consumers outside the generator subtree have to wait for the generator to complete, while in batched evaluation these consumers could in principle run in parallel and use answers stored in the table while the generator is still computing and adding more answers. Batched evaluation, however, may need arbitrarily more memory than local evaluation: space can be reclaimed when subgoals have been completely evaluated, and local scheduling completes goals earlier and so can reclaim space earlier, while batched evaluation normally has more subgoals in the process of being computed at any particular point in time (and thus not completed). Memory management is also complicated by its usual stack-based nature, and batched evaluation ends up with more unused memory trapped in the stacks. We will analyze these factors and propose solutions to improve the memory usage of batched evaluation while still keeping its good behavior for first-answer scenarios.

The remainder of the paper is organized as follows: Section 2 gives a brief account of the advantages that answer-on-demand tabling can bring. Section 3 gives an overview of tabled evaluation and the implementation of the SLG-WAM in XSB. Sections 4 and 5 explain why batched evaluation uses more memory than local evaluation and propose how to improve it through a new scheduling strategy, *swapping evaluation*. Section 6 evaluates our solution experimentally and shows that in some cases it uses orders of magnitude less memory than batched evaluation without compromising execution speed. As there are applications where swapping evaluation is better than local evaluation and vice-versa, Section 6.3 suggests how to combine both evaluations in the same engine. Finally, Section 7 shows some implementation details.

2 Motivation.

We can loosely divide many Prolog applications into two broad categories: in-memory deductive database applications where all answers to a query are required, and artificial intelligence (AI) search applications where it is required only to determine the existence of a solution and perhaps provide an exemplar. Tabled Prolog has been effectively applied for the former type, such as model checking and abstract interpretation, but not so effectively for the latter, such as planning. This may be traced back to the fact that local scheduling is memory efficient for all-answer queries, but batched scheduling, which is better for first-answer queries, shows relatively poor memory utilization in the latter case. XSB does implement an optimization, called early completion, which is sometimes able to avoid unnecessary search after a ground query has been found to be true, but it is highly dependent on the syntactic form of the rules and often allows unnecessary computation. The swapping evaluation strategy proposed in this paper is a depth-first search strategy that has memory performance much closer to local scheduling. In fact the order of its search is much closer to Prolog's order than is batched scheduling,

thus allowing Prolog programmers' intuitions on efficient search orders to be brought to bear while programming in tabled Prolog. We believe swapping evaluation will make tabled Prolog a much more powerful tool in tackling applications in AI areas involving search.

3 An Overview of Tabled Evaluation.

We assume familiarity with the WAM (Ait-Kaci 1991) and the general approach to implementing suspension-based tabled evaluation, but for completeness we present an overview of the main tabling ideas in this section. We will focus on the implementation approach of the SLG-WAM (Sagonas and Swift 1998) as it appears in XSB (Sagonas et al. 1993), the platform on which we have developed our prototype implementation.

Suspension-based tabling systems have four new operations beyond normal SLD execution: *tabled subgoal call*, *new answer*, *answer return*, and *completion*. *Tabled subgoal call* checks if a call is a *generator* (the first call to the subgoal) or a *consumer* (a subsequent call). If it is a generator, execution continues resolving against the subgoal call clauses. If it is a consumer, the *answer return* operation is executed and the consumer draws answers from an external table, where the generator inserts each answer it finds using the *new answer* operation.

When no more answers are available for a consumer, its execution suspends and freezes the stacks. This is necessary since the generator may generate new answers in the future, in which case the consumer must be resumed to process that new answer. Suspension is performed by setting *freeze registers* to point to then-current stack tops. No memory older than what the freeze registers point to will be reclaimed on backtracking, since it may be needed to resume the consumer. Finally, when a generator has found all its answers, it executes the completion operation, where relevant memory structures are reclaimed and the freeze registers are reset to their original values at the time of the generator call. Tables are not reclaimed on backtracking, and therefore do not need to be protected.

The completion operation is complex because a number of generators may be mutually dependent, thus forming a Strongly Connected Component (SCC (Tarjan 1972)) in the graph of subgoal dependencies. As new answers for any generator can result in the production of new answers for any other generator of the SCC, we can only complete all generators in an SCC at once, when a fixpoint has been reached. The SCC is represented by the *leader* node: the youngest generator node which does not depend on older generators. A leader node defines the next completion point.

XSB implements a *completion optimization* which obtains answers directly from the table when a consumer returns answers from a completed tabled subgoal. With this optimization answers are not necessarily returned in the original order. However, when answers are returned from an incomplete tabled subgoal, they are returned in the original order using an ordered list of answers.

Another important operation in the SLG_WAM is consumer *environment switching*. When new answers are available for a suspended consumer, that consumer is resumed to continue its suspended execution. This is done by locating the first common ancestor of the current execution point and the consumer to be resumed. Bindings from the

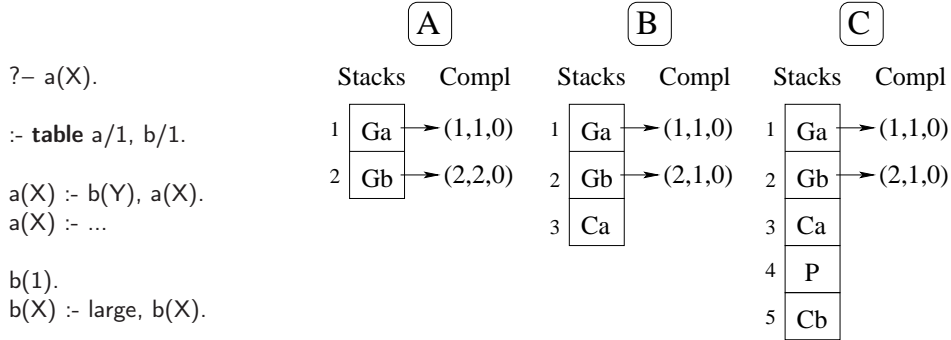


Fig. 1. Tabled program.

Fig. 2. ASCC memory behavior. “P” is a large SLD execution.

current execution point to that ancestor are undone, and bindings from the common ancestor until the consumer are reinstalled.

4 Improving Memory Usage by Precise Completion Detection.

One of the reasons for the importance of the completion instruction is that it allows reclaiming memory from the WAM stacks. Before a generator begins doing clause resolution, it saves the then-current values of the freeze registers. Their values generally change during the execution of the generator in order to preserve the execution state of new consumers. When the generator completes, the freeze registers are reset to their original values and the frozen space is reclaimed.

4.1 An Overview of ASCC Memory Behavior.

Batched evaluation, as implemented in XSB, uses an approximation to detect SCCs (termed ASCC (Sagonas and Swift 1998)) in which the completion of some generators is postponed to ensure that memory needed by later executions is not incorrectly reclaimed. However, this results in keeping some space frozen that could be reclaimed. Consider the example code in Figure 1. Figure 2(A) shows the stack of the generators, in which Gb is under Ga at the moment of the b(Y) call. The triplets of the completion stack (on the right) are the original identifier of each generator, its deepest dependence,¹ and the values of its freeze registers; note that we are showing only the choicepoint stack, and therefore we need just the freeze register for it. Then, Gb finds a solution and a consumer (Ca) of Ga appears in the first clause of a/1. Thus, Gb cannot be completed before Ga when the ASCC is used to ensure that memory frozen by Ca is not incorrectly reclaimed (see Figure 2(B)). Gb continues its execution and a consumer Cb of Gb appears, which freezes a lot of memory. That memory can be released upon completion of Gb, but it is not released using the ASCC (see Figure 2(C)) because the leader of Gb is Ga, and the completion of Gb is postponed.

¹ A generator can complete if its deepest dependence is not lower than its own identifier.

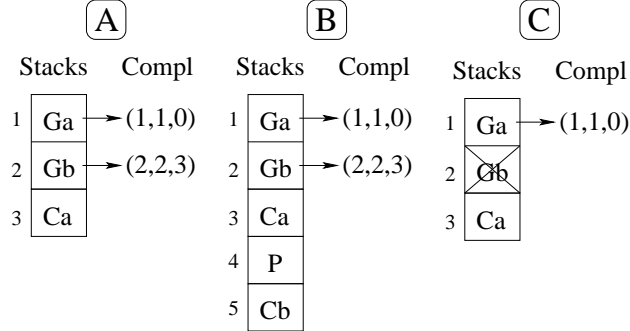


Fig. 3. SCC memory behavior.

4.2 A Solution: Imposing SCC Memory Behavior.

The ASCC changes the structure of the SCC to overapproximate the protection of frozen memory. In the previous execution, Gb does not depend on Ga, because Ca lies outside the scope of Gb. Instead of changing the SCC structure, we propose to let Gb complete and release memory up to Ca (the youngest node belonging to a not-yet-completed SCC). We do this by changing the original values of the freeze registers that were stored when a generator was created. When a consumer appears, all the generators that appear after that consumer's generator have their original freeze register values updated to the current freeze register values. Then, the memory frozen by the new consumer will not be reclaimed if those generators complete.

Consider the previous execution using the new approach. When Ca appears, the stacks are frozen until cell number 3 (included). The generators which appeared after Ga (the generator of the new consumer) update their freeze register values to be 3, but the SCC structure is not changed (see Figure 3(A)). Then, Cb freezes the stacks (see Figure 3(B)) but since Gb is a leader node, it can complete and the value of the freeze registers is updated to be 3. All the memory frozen by Cb is reclaimed (including ancillary memory used by Gb such as its ordered list of answers and list of consumers) without reclaiming the memory frozen by Ca (see Figure 3(C)). The memory used by Gb is kept unreclaimed².

5 Swapping Evaluation: the General Idea.

Both in local and batched evaluation, whenever a new consumer whose generator has not been completed appears, execution suspends after consuming all the available answers and WAM stacks are frozen. Some of these suspensions are inherent to tabled evaluation, but some others are not, as we will see in the next section.

5.1 External Consumers: More Stack Freezing than Needed.

We define two kinds of consumers: *internal* and *external*. A consumer is internal to an SCC when it appears inside the execution subtree of that SCC, and it

² It could, however, be collected by garbage collection. This kind of *trapped memory* already appears in the SLG-WAM and, interestingly, in the marker model for independent and-parallel execution when backtracking happens on *trapped goals* (Hermenegildo and Nasr 1986)

is external otherwise. As a simple example, let us have a program with clauses $\{(-\text{table } a/0), (a :- a), (a)\}$ and the query $?- a, a$. The leftmost a in the query is a generator, the a in the body of the first clause is an internal consumer, and the rightmost a in the query is an external consumer.

Freezing the stacks associated with internal consumers is necessary for suspension-based tabled evaluation because they avoid infinite loops. But external consumers (which don't appear in local evaluation) freeze the stacks so they can resume when the generator produces additional answers. Note that new external consumers can freeze the stacks again in those branches generated by a external consumer suspension. This stack freezing happens out of the scope of the tabled evaluation, leading to a sort of memory-consuming breadth-first search which may require significant memory as the following example shows:

$?- t(X), p, t(Y), \text{fail}.$	$p :- \text{large1}.$
$:- \text{table } t/1.$	$p :- \text{large2}.$
$t(1).$	\dots
$t(2).$	$p :- \text{largeN}.$

$t(1)$ is found and then the first clause of $p/0$ is executed. Then $t(Y)$, which is the first consumer, consumes $t(1)$ and execution suspends after freezing the stacks because there are currently no more available answers for the consumer to return. Execution backtracks to the second clause of $p/0$ but the memory used by the execution of the first clause of $p/0$ has not been reclaimed. The same behavior will happen with the second consumer of $t(X)$ after the second clause of $p/0$ succeeds. At the end of the program, N large computations corresponding to each of the clauses of $p/0$ are frozen, in a fashion similar to a breadth-first search evaluation. In the next section we will see how this behavior can be avoided.

5.2 Swapping Evaluation: External Consumers No Longer Suspend.

An external consumer suspends when it does not have more available answers, and it waits for its generator to (eventually) produce more answers. We propose a different approach. When an external consumer needs more answers, it is transformed into a generator to produce them. Symmetrically, its generator is transformed into a consumer, because answers will be computed by the new generator. We termed this new scheduling strategy *swapping* evaluation because an external consumer and its generator are swapped. The swapping operation can be seen as a change in the backtracking order since we backtrack over the generator before backtracking over the top of the stacks.

Consider the previous example using swapping evaluation. When the consumer $t(Y)$ needs more answers, it is transformed into a generator to find the second answer $t(2)$. Note that it does not recompute the first solution; it instead continues where the generator left the computation. Then, execution fails (due to the call to $\text{fail}/0$ in the query) and the swapped generator completes. The first clause of $p/0$ is backtracked over, but now the space it used can be reclaimed. A new consumer appears after the second clause of $p/0$ succeeds which consumes both answers (using the completion optimization) before $\text{fail}/0$ is reached. Execution backtracks over the remaining clauses of $p/0$ until it

fails. Finally, the original generator consumes the second answer $t(2)$. The rest of the execution continues as expected, with the former generator, now consumer, $t(X)$ consuming saved answers. The result is that at most one clause of $p/0$ is kept in the stacks at a time, as in depth-first evaluation.

This is the most basic example of swapping evaluation, but the swapping operation is complex due to swapping control, precise completion detection, and the reordering of the stacks to change the backtracking order. Section 7 gives implementation details of swapping evaluation.

This scheduling strategy was prefigured in (Sagonas and Stuckey 2004), where the authors suggested it as a way to recover SLD-like execution to support cuts. As they show, local and batched evaluation do not follow the order of SLD resolution even if there are no internal consumers, but swapping evaluation has an interesting property: *“if SLD resolution finishes, swapping evaluation keeps the clause resolution order of SLD, but some (redundant) branches are pruned.”*

We independently rediscovered this strategy by analyzing where memory usage in batched scheduling was excessive and deriving methods to improve that. Our original contribution is the design of the algorithms and data structures, their efficient implementation, and their performance evaluation in XSB. Our performance analysis supports the effectiveness of the solution.

6 Experimental Performance Evaluation.

We have implemented the techniques proposed in this paper in the XSB system (Sagonas et al. 1993). All of the timings and measurements have been made with XSB Version 3.2, disabling the garbage collector: we wanted to study the effects in time and memory consumption of the different evaluation strategies, without additional “agents” which could add additional noise. We used gcc 4.1.1 to compile the systems and we executed them on a machine with Ubuntu 8.04, kernel 2.6.25, and an 1.6GHz Intel Core 2 Duo processor. Execution times are shown in ms. and memory usage in bytes.

The benchmarks, which we will briefly explain here, are available from <http://clip.dia.fi.upm.es/~pchico/tabling/>. `tcl`, `tcr`, and `tcn` are transitive closures on a graph with left, right, and double recursions, respectively. `sg` is the well-known *same generation* program. `numbers` takes a list of numbers and a target number N , and tries to find an arithmetical expression that evaluates to N using operations from a fixed set and *all* the given numbers. It uses both guided and blind search in a potentially huge and irregular space, ultimately driven by number theory. `atr2` is a compiled version of a probabilistic parser of Japanese by Shigeru Abe, Taisuke Sato and Neng-Fa Zhou (13000+ lines), and `pg`, `disj`, `kalah`, `gabriel`, `cs_o`, `cs_r` and `peep` are program analyzers created by automatically specializing the original programs w.r.t. the generic analyzers (Codish et al. 1998), and whose sizes range from 600+ to 1500 lines.

6.1 First-Answer Queries

For queries requiring only one solution (see Section 2), swapping/batched evaluation can be significantly faster and use less memory (both in the stacks and in the call/an-

Query	Local			Swapping		
	Time	Stack Memory	Table Memory	Time	Stack Memory	Table Memory
tcl(100,_)	0	2,320	1,828	0	3,276	212
tcr(100,_)	20	162,756	89,108	0	21,164	9,852
tcn(100,_)	20	190,660	90,640	0	2,228	212
sg(1,_)	392	147,420	191,128	0	2,228	212
atr2_ground	36	405,512	386,696	36	258,732	382,273
atr2_lvar	1,048	522,844	3,864,540	744	296,244	3,374,687
atr2_2var	2,060	622,380	19,299,868	756	338,640	4,015,368
numbers_4	20	3,916	81,884	0	5,412	2,496
numbers_5	544	7,108	2,406,312	1	6,632	4,416
numbers_6	22,865	202,676	99,177,188	2	7,956	8,620

Table 1. Time and memory comparison of local and swapping evaluations for first-answer queries.

swer table) than local evaluation. Table 1 shows the results, in time and memory, of several such programs, under local and swapping evaluation. Batched evaluation is not shown because it behaves quite similarly to swapping evaluation in these cases. The first four benchmarks look for the first answer of the query presented in the table. `atr2_ground` parses a (ground) Japanese sentence of twelve tokens. `atr2_lvar` and `atr2_2var` parse the same sentence but with the last token and the last and first token, respectively, being free variables, which naturally leads to an increase of the size of the search space. `numbers` is an example of the kind of program that merely looks for a witness for the existence of a solution. In `numbers_X`, `X` represents the size of the set of numbers.

These results give a strong motivation for using answer-on-demand tabling, as the behavior in time and memory of these benchmarks is significantly better under swapping/batched evaluation than under local evaluation. Notice, specially, the exponentially bad behavior of `numbers` when local evaluation is used, while swapping/batched evaluation remains linear.

6.2 All-Solution Queries.

We have also analyzed a set of well-known programs which are queried to generate all the solutions. Note that, following the classification in Section 2, these benchmarks exemplify the worst case, where local evaluation, naturally devised to generate all the solutions to a query, performs in general better than swapping evaluation. Therefore they are not representative of an average behavior.

Their memory and time behavior appear, respectively, in Tables 2 and 3. In both we show data for local evaluation, original batched evaluation, batched evaluation with precise completion, and swapping evaluation (which uses precise completion), plus a normalized comparison between swapping and local evaluation. We include both versions of batched evaluation to determine whether the differences come from a more precise SCC at completion or from using swapping evaluation.

We divide the benchmarks into three classes, according to their structure. Benchmarks from `tcl` to `atr2` are highly tabling intensive. They do not show big differences when using the different tabling evaluations because they generate few SCCs. We might

Program	Local	Batched-ASCC	Batched-SCC	Swapping	$\frac{\text{Swapping}}{\text{Local}}$
tcl	2,248	2,176	2,708	2,172	0.97
tcr	196,068	180,368	180,692	178,768	0.91
tcn	229,392	209,648	209,972	208,644	0.91
sg	764,960	813,276	813,600	790,068	1.03
atr2	478,112	476,736	452,572	475,592	0.99
pg	18,140	133,736	104,064	74,660	4.11
disj	7,096	32,900	33,312	11,124	1.57
kalah	11,700	61,060	39,944	23,324	1.99
gabriel	20,256	42,460	42,268	22,700	1.12
cs_o	8,424	31,172	31,268	10,596	1.26
cs_r	9,532	31,896	28,976	11,420	1.20
peep	22,700	354,612	77,664	78,572	3.46
pg_deep	18,564	339,744	307,572	32,384	1.74
disj_deep	23,852	-	63,253,432	45,920	1.93
kalah_deep	29,116	-	-	132,232	4.54
gabriel_deep	30,884	-	333,494,384	69,444	2.25
cs_o_deep	8,356	63,420	50,680	32,988	3.95
cs_r_deep	21,424	12,961,540	4,075,708	78,772	3.68
peep_deep	28,396	-	51,194,340	106,228	3.74

Table 2. Memory comparison for all-solution queries.

Program	Local	B-ASCC	B-SCC	Swapping	$\frac{\text{Swapping}}{\text{Local}}$
tcl	37.35	35.36	35.46	35.49	0.95
tcr	55.91	56.49	57.53	57.55	1.03
tcn	67.25	68.04	68.77	68.59	1.02
sg	263.27	272.57	275.99	293.37	1.11
atr2	872.64	876.29	884.07	884.65	1.01
pg	9.02	8.93	9.043	9.06	1.00
disj	10.66	10.46	10.73	10.88	1.02
kalah	12.05	11.91	12.06	12.31	1.02
gabriel	13.48	13.19	13.45	13.52	1.00
cs_o	18.54	18.49	19.03	18.82	1.02
cs_r	36.43	36.54	37.21	36.57	1.00
peep	38.34	38.07	39.01	38.60	1.01
pg_deep	10.13	10.07	10.97	9.88	0.98
disj_deep	165.58	-	574.72	171.07	1.03
kalah_deep	17,375.49	-	-	17,147.00	0.99
gabriel_deep	2,749.17	-	4,180.91	2,808.98	1.02
cs_o_deep	1.88	1.81	1.87	1.94	1.03
cs_r_deep	70.27	79.51	99.15	69.36	0.99
peep_deep	273.05	-	384.99	272.07	0.99

Table 3. Time comparison for all-solution queries.

in any case conclude that there is a slight overhead due to the precise completion or/and the more involved swapping control. On the other hand, they in general favor swapping evaluation memory-wise.

Benchmarks pg to peep call all the predicates in the analyzers with free variables as arguments. Every predicate is called from a different clause and after the call finishes fail-

ure is forced to generate all the solutions and to backtrack to the next clause. Solutions are kept in the table space and can be reused between calls, as benchmark predicates call each other internally. Forcing failure simulates a sort of local scheduling, even if the engine supports swapping or batched evaluation. For this reason, local performs always better than swapping (but within reasonable limits), and batched performs worse than swapping, but not with a huge difference. Precise completion brings advantages in some benchmarks.

The queries in the previous paragraph do not represent a common case where there are few simultaneous dependencies between producers and consumers. Therefore, we have used a new category of queries where the program code is the same as in the previous group, but queries to the predicates in the analyzers are arranged in a conjunction, resulting in a much more complex set of interdependences (again, due to predicates internally calling each other). Generating all the solutions is, as before, forced by a fail/0 call at the end of the conjunction.

In this category, swapping evaluation performs somewhat worse than local evaluation both in memory and (with some exception) in time behavior,³ due to the need to keep alive the environment stacks of the generators in order to resume search for more solutions. However, unlike batched evaluation (which is not even able to finish some of the benchmarks), swapping evaluation maintains an acceptable memory behavior.

As a conclusion, answer-on-demand tabling has been found to be advantageous when only some answers are required. However, batched evaluation (the classical answer-on-demand strategy) was found to have a very bad memory behavior in cases where complex dependencies appear among tabled calls. This problem led to the use of local evaluation for all applications (with the lack of efficiency in some cases), but we think that our measurements indicate that swapping evaluation is a viable alternative for answer-on-demand applications because it does not have the bad-memory-behavior of batched evaluation.

6.3 Combining Local and Swapping Evaluation.

The previous section exhibits applications where swapping evaluation performs much better than local evaluation (and vice-versa, within reasonable limits). While it could be possible to select the adequate engine for every application, for simplicity, ease of maintenance, and benefit of the final user, it would be nice to have the tabling engine implement only one strategy. We show that this is feasible by demonstrating how local evaluation can be effectively emulated by swapping evaluation. Assume that $t(X)$ is a tabled predicate in a swapping evaluation engine. It is possible to generate automatically a wrapper which evaluates $t(X)$ using local scheduling by:

1. Renaming the header of the clause(s) defining $t/1$ to be $t_orig/1$.
2. Adding the following wrapper code:

³ This is because swapping evaluation imposes some swapping control, some new data structure management, and mainly an execution stack reordering which leads to a non-negligible overhead. In any case, the differences are not very significant, and there are optimizations still available if execution speed proves to be a problem (see Section 7).

```
t(X) :- call_is_consumer(t_orig(X)), !, t_orig(X).
t(X) :- (t_orig(X), fail; t_orig(X)).
```

If the call to $t(X)$ is a consumer (determined using a builtin available in the tabling engine), we consume from $t_orig(X)$, and we cut the second clause of $t(X)$. Otherwise we force the generation of all the answers for $t_orig(X)$ and then we consume them.⁴

Experimentally, this simple simulation performs around 10% worse than local evaluation in memory and time when executing very intensive tabling programs. Note in this case the relatively costly swapping operation is never invoked, since there are no external consumers. Therefore the overhead comes from other sources (e.g., the check/insert operations in the global table are executed three times for every generator call: one for the `call_is_consumer/1` call, and two for the `t_orig/1` calls of the second clause), and a lower-level implementation should improve both memory and time behavior.

In return, this transformation makes it possible to have, in the same system and with the same engine, a predicate-level decision on whether to evaluate under a local or a swapping policy, and use the appropriate strategy in each case. A similar consideration leads to the combination of batched and local evaluation at the subgoal level in (Ricardo Rocha and Fernando M. A. Silva and Vítor Santos Costa 2005). However, in their work, batched evaluation, with its disadvantages, is still used as the alternative to local evaluation, and the way in which it is achieved is much more complex, involving lower-level changes to the engine.

7 Swapping Evaluation Implementation Details.

We now describe, at a somewhat high level, some implementation details which provide an idea of the complexity inherent to the implementation of swapping evaluation.

Generator Dependency Tree (GDT): we use an XSB register named `ptcp` (from *parent tabled choicepoint*) which points to the nearest generator under which we are executing, and which is stored in each consumer choice point. The `ptcp` fields of the generator choice points make up the GDT representing the creation order and dependencies among generator calls.

Leader Detection: we have added a new field to every generator choice point which keeps track of the leader of each generator (NULL if the generator is a leader itself), which is used to accurately reconstruct the SCC. When a new consumer C appears whose leader is L_C , the generators in the current GDT branch update their leader field to be L_C , until we find a generator whose leader is already L_C .

External Consumers Detection: a key to implement swapping evaluation is determining whether a consumer is external or internal. To do that, we have defined a new field in all the generator choice points (the executing field) which points to a free heap variable. When the new answer operation is executed, that variable is unified with some arbitrary value. Then, whenever a consumer appears, if the executing field of its leader

⁴ Note that a similar transformation to make local evaluation behave as batched or swapping does not seem to be possible.

generator points to a free variable the consumer is internal and if that variable is unified, the consumer is external. Note that that binding is undone if we continue with the leader generator execution on backtracking, as we need.

Creating Generators with Private Variables: since generators can be swapped with external consumers, and the execution segments of each generator can be moved to the top of the stack, the *tabled subgoal call* operation makes a private fresh copy of the generator variables. Then, all the bindings of the generator call will be private to its execution, and those new variables cannot be bound from outside the scope of the generator execution. Consequently, the execution subtree of the generator can be moved to the top of the stacks in the same state as it was left.

An alternative possibility would be to untrail all bindings done between the last answer of the generator and the external consumer call in order to recover the original generator state each time an external consumer (which was swapped by the generator) continues making clause resolution to find new answers. We have chosen to make a private copy of generator variables because it does not require a significant use of memory (between 2.5% and 0.1% in the benchmarks we have executed) and it simplifies our implementation. In terms of speed, we cannot make strong conclusions because the *untrailing* alternative is not implemented, but we are quite confident that their performance would be very similar.

Thus, in our implementation, each generator has two substitution factors: one for the original generator call (to consume answers) and another one for the answer bindings of private variables (to insert them in the table). As a drawback, we lose the binding propagation of batched evaluation which makes it faster than local evaluation in some benchmarks. On the other hand, swapping evaluation performs less trail management (because external consumers do not switch their environments) than batched evaluation, and, also, more consumers can take advantage of the completion optimization because some external consumers will find their table entry completed.

More Functionality in the New Answer Operation: Pointers to the tops of the trail and choice point stack are saved by the *new answer* operation when a generator finds a non-duplicate answer. Two new fields of the generator choice points, `answer_cp` and `answer_trreg`, remember those values. These pointers will be used to determine which parts of the execution tree must be moved when the swapping operation is performed to continue the execution from where it was left by the generator.

The Swapping Operation: we term OldGen the choice point of the generator and NewGen the choice point of the external consumer to be swapped. First, OldGen is inserted into its corresponding consumer list (the one belonging to the generator pointed to by the `ptcp` register of OldGen) and NewGen is erased from the consumer list it belongs to. Then, the fields of the choice points are updated, such as the program counter, the substitution factor of the private copy of variables, the leader of the new generator (NULL), the last consumed answer of OldGen (which is the last one found) and the executing field of the new generator. The following code summarizes this operation:

```
PC(NewGen) = PC(OldGen);
PC(OldGen) = answer_return_inst;
PrivateSubstitutionFactor(NewGen) = PrivateSubstitutionFactor(OldGen);
```

```

Leader(NewGen) = NULL;
LastConsumeAnswer(OldGen) = LastAnswerFound(NewGen);
isExecuting(NewGen) = YES;

```

If OldGen found an answer before leaving its execution scope, we need to move to the top the segment of the choice point stack which belongs to its clause resolution. In other words, we move to the top all the choice points between the point where the last answer of OldGen was found (pointed to by `answer_cp`) and OldGen. To do that, OldGen will point to the current top of the choice point stack and the choice point following `answer_cp` will point to OldGen. This is implemented by scanning the choice-points from `answer_cp` looking for a choice point which points to OldGen; that choice point is made to point to NewGen.⁵ The same reordering is done with the trail⁶ and the local stack (indeed, the program counter of the last local stack frame is also updated to point to the continuation of NewGen).

The next step is to reorder stacks from NewGen to the point where the last answer of the generator was found. In this case, reordering the local stack is not needed, and the choice point which points to `answer_cp` is updated to point to OldGen. The final result is that we have moved the execution subtree of OldGen to the top of the stack.

This stack reordering is also done for all consumers under the execution of OldGen, because they can belong to different execution paths.⁷ Originally, we should traverse all the generators in the same SCC OldGen belongs to looking for consumers which appear under the execution of OldGen by checking if OldGen appears in their `ptcp` chain. To make this checking more efficient, consumers are stored in the list of consumers of the generator pointed to by their `ptcp` field (which is the nearest generator under they are executing), instead of in the list of consumers of their generator.⁸

The final step is to reorder the completion stack and update the freeze registers. The portion of the SCC which OldGen belongs to and which is under the execution of OldGen, has to be moved to the top of the completion stack (because their corresponding stacks have been moved to the top). The freeze register values of these generators are updated to protect the memory space of NewGen from backtracking. This is because, as the physical and logical order are different, after backtracking over a choice point physically younger than NewGen, the associated memory to NewGen would be wrongly reclaimed. Indeed, the oldest generator among the generators younger than OldGen⁹ which does not belong to that SCC (called G) receives the original freeze register values

⁵ This traversal can be avoided by inserting a *marker* choice point after OldGen and updating its pointer to its previous choice point.

⁶ That means that trail cells are not any longer kept in relative order, and the way environment switching locates the first common ancestor of two consumers being switched has to be changed. The new algorithm traverses the trail of each of the consumers alternatively, marking cells as they are traversed. The first common ancestor is found when an already-marked cell appears.

⁷ This step is not needed should the *marker choicepoint* optimization be done, as all the consumers would be linked to that marker.

⁸ This change does not affect the rest of the tabling implementation and it should (heuristically) be more efficient than the original approach, because switching between consumers will be more likely to select those which are closer in the execution tree, thereby reducing the amount of work invested in untrail/retrace operations.

⁹ The completion stacks gives us the age of the generators.

?- a(X), inter, b(Y).

:- table a/1, b/1.

a(X) :- a(X).
a(X) :- code1,
b(X),
code2.

b(X) :- code3,
a(X),
code4.

b(X) :- code5,
X = 1.

Fig. 4. Non-trivial scenario.

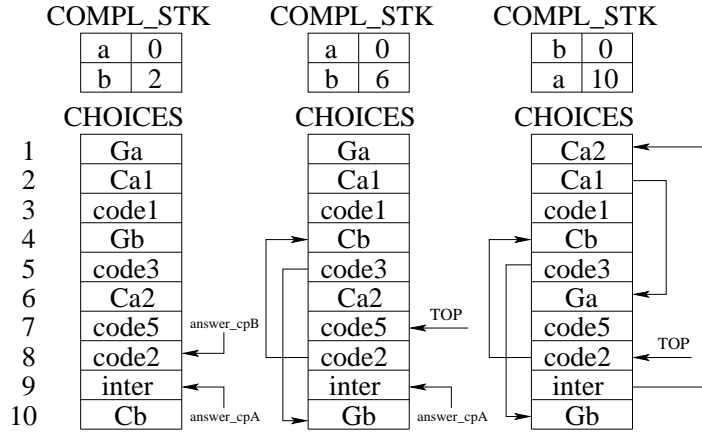


Fig. 5. Choice point management.

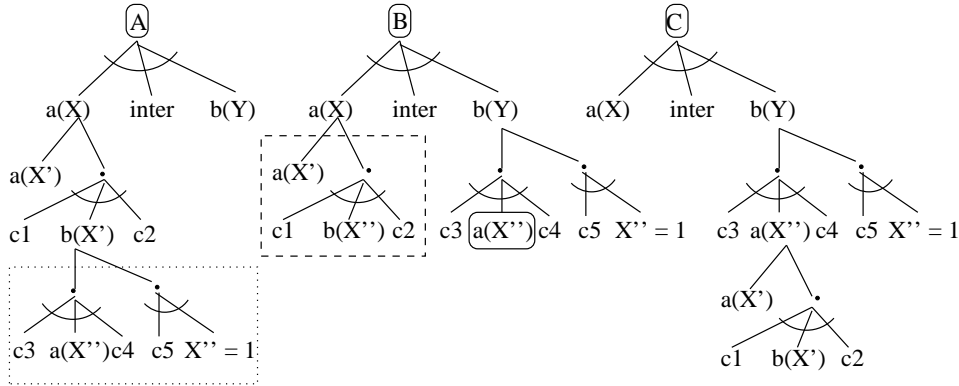


Fig. 6. And-Or tree execution.

of OldGen. This is because when G appears, the freeze registers are protecting memory of the SCC which OldGen belongs to. But that SCC was moved to the top of the stacks, and the segment from the memory protected by the original freeze register values of G to the memory protected by the freeze registers of OldGen can be reclaimed when G completes.

A Sample Execution We consider a non-trivial swapping evaluation scenario using the code in Figure 4. The first operation is the tabled subgoal call of a(X) where private variables (marked with primes in Figure 6) of the original call are created to facilitate moving generator executions. Then, an internal consumer of Ga, Ca₁, appears and suspends. When the second generator, Gb, creates its completion stack frame, the freeze register value is 2 (see Figure 5(A)). A new internal consumer of Ga, Ca₂, appears and suspends, setting the freeze registers to 6. As swapping evaluation needs a precise SCC (Section 4), Gb also updates its original freeze register values. Later, Gb finds its first answer using its second clause. This answer is propagated to the generator and Ga finds its first answer (Figure 5(A) shows answer_cp of each generator).

After the execution of *inter*, there is an external consumer $b(Y)$ of G_b . When it consumes all the available answers, a swapping operation is performed. Using the limits saved by the *new answer* operation, the dotted rectangle in Figure 6(A) is moved under $b(Y)$ as shown in Figure 6(B). To do that, we update the pointers to the previous choice point of *code3* and *code2* and the current choice point is *code5*, as shown in Figure 5(B). A similar reordering is done with trail cells and local stack frames. The new generator G_b saves the current values of the freeze registers and the freeze registers are updated to be 10, to protect the memory of G_b .

The execution continues as expected until G_b tries to complete. Note that the swapping operation has transformed C_{a2} , which was an internal consumer, into an external consumer. Consequently, before checking for completion, all the consumers under the execution of G_b are checked in case they have become external consumers. We can easily access them because, as explained before, consumers are saved in the consumer list of the generator pointed to by their *ptcp*.

Since C_{a2} is now an external consumer, the swapping operation is performed to move the execution subtree in the dashed rectangle in Figure 6(B) under C_{a2} , as shown in Figure 6(C). The reordered choice points are shown in Figure 5(C). As a consequence, generators change their order in the completion stack. The new generator of G_a saves the value of the freeze registers and G_b takes their values from the previous values of G_a to reclaim all the memory upon completion of G_b .

8 Conclusions.

We have presented swapping evaluation, a new strategy which retains the advantages of batched evaluation such as first-answer efficiency but which is memory-scalable without compromising execution speed. We have implemented swapping evaluation in XSB and experimentally tested it in a series of benchmarks, with good memory and speed results.

The motivation behind this new evaluation strategy is to widen the applicability of tabled Prolog from DB-like problems to other AI applications, including e.g. search, where not all the solutions for a given problem are required.

Finally, we believe that it would be advantageous to be able to combine the advantages of local and swapping tabled evaluation in a single system. We have proposed a mechanism to easily simulate local evaluation using swapping evaluation, which makes it possible to define which evaluation to use at the predicate level.

Acknowledgments: This work was funded in part by IST-215483 grant *S-CUBE*, FET IST-231620 *HATS*, MICINN project TIN-2008-05624 *DOVES*, and CM project P2009/TIC/1465 *PROMETIDOS*. Pablo Chico de Guzmán is also funded by an Spanish FPU scholarship.

References

- AIT-KACI, H. 1991. *Warren's Abstract Machine, A Tutorial Reconstruction*. MIT Press.
- CHEN, W. AND WARREN, D. S. 1996. Tabled Evaluation with Delaying for General Logic Programs. *Journal of the ACM* 43, 1 (January), 20–74.

- CODISH, M., DEMOEN, B., AND SAGONAS, K. F. 1998. Semantics-Based Program Analysis for Logic-Based Languages Using XSB. *STTT* 2, 1, 29–45.
- DAWSON, S., RAMAKRISHNAN, C. R., AND WARREN, D. S. 1996. Practical Program Analysis Using General Purpose Logic Programming Systems – A Case Study. In *Proceedings of PLDI'96*. ACM Press, New York, USA, 117–126.
- FREIRE, J., SWIFT, T., AND WARREN, D. S. 2001. Beyond Depth-First: Improving Tabled Logic Programs through Alternative Scheduling Strategies. In *International Symposium on Programming Language Implementation and Logic Programming*. Number 1140 in LNCS. Springer-Verlag, 243–258.
- HERMENEGILDO, M. AND NASR, R. I. 1986. Efficient Management of Backtracking in AND-parallelism. In *Third International Conference on Logic Programming*. Number 225 in LNCS. Imperial College, Springer-Verlag, 40–55.
- RAMAKRISHNA, Y., RAMAKRISHNAN, C., RAMAKRISHNAN, I., SMOLKA, S., SWIFT, T., AND WARREN, D. 1997. Efficient Model Checking Using Tabled Resolution. In *Computer Aided Verification*. LNCS, vol. 1254. Springer Verlag, 143–154.
- RAMAKRISHNAN, R. AND ULLMAN, J. D. 1993. A survey of research on deductive database systems. *Journal of Logic Programming* 23, 2, 125–149.
- RICARDO ROCHA AND FERNANDO M. A. SILVA AND VÍTOR SANTOS COSTA. 2005. Dynamic mixed-strategy evaluation of tabled logic programs. In *ICLP*. Lecture Notes in Computer Science, vol. 3668. Springer, 250–264.
- SAGONAS, K. AND SWIFT, T. 1998. An Abstract Machine for Tabled Execution of Fixed-Order Stratified Logic Programs. *ACM Transactions on Programming Languages and Systems* 20, 3 (May), 586–634.
- SAGONAS, K., SWIFT, T., AND WARREN, D. 1993. The XSB Programming System. In *ILPS Workshop on Programming with Logic Databases*. Number TR #1183. U. of Wisconsin, 164–164.
- SAGONAS, K. F. AND STUCKEY, P. J. 2004. Just Enough Tabling. In *Principles and Practice of Declarative Programming*. ACM, 78–89.
- TAMAKI, H. AND SATO, M. 1986. OLD resolution with tabulation. In *Int'l. Conf. on Logic Programming*. LNCS, Springer-Verlag, 84–98.
- TARJAN, R. 1972. Depth-First Search and Linear Graph Algorithms. *SIAM J. Comput.* 1, 140–160.
- WARREN, D. S. 1992. Memoing for logic programs. *Communications of the ACM* 35, 3, 93–111.
- WARREN, R., HERMENEGILDO, M., AND DEBRAY, S. K. 1988. On the Practicality of Global Flow Analysis of Logic Programs. In *Fifth International Conference and Symposium on Logic Programming*. MIT Press, 684–699.
- ZOU, Y., FININ, T., AND CHEN, H. 2005. F-OWL: An Inference Engine for Semantic Web. In *Formal Approaches to Agent-Based Systems*. Lecture Notes in Computer Science, vol. 3228. Springer Verlag, 238–248.