

On non-iterative training of a neural classifier

K. ESWARAN, Sreenidhi Institute of Science and Technology
 K. DAMODHAR RAO, Sreenidhi Institute of Science and Technology

Recently an algorithm, was discovered, which separates points in n-dimension by planes in such a manner that no two points are left un-separated by at least one plane[1-3]. By using this new algorithm we show that there are two ways of classification by a neural network, for a large dimension feature space, both of which are non-iterative and deterministic. To demonstrate the power of both these methods we apply them exhaustively to the classical pattern recognition problem: The Fisher-Anderson's, IRIS flower data set and present the results.

It is expected these methods will now be widely used for the training of neural networks for Deep Learning not only because of their non-iterative and deterministic nature but also because of their efficiency and speed and will supersede other classification methods which are iterative in nature and rely on error minimization.

Additional Key Words and Phrases: non-iterative training, neural networks, pattern recognition, algorithms

ACM Reference Format:

K.Eswaran and K.Damodhar Rao, 2015.On non-iterative training of a neural classifier. *TO: SETN 2016 AI Conf* , 29 , Article (December 2015), 18 pages.
 DOI: 0000001.0000001

1. INTRODUCTION

Many researchers, from statisticians and neural network scientists have long been trying to separate clusters by planes or discriminant functions. This has been ever since the time of Fisher [4] and Mahalanobis [5] and McCullough and Pitts[6], Kolmogorov [7], Werbos[8], and Rumelhart, Hinton and Williams [9] and others [10], also the Deep Learning people[11]. But all have had great difficulties in large n-dimensional space and it has been found that it is not easy. So the phrases like "The Curse of Dimensionality" and "NP Hard Complexity" have become a part of folk lore. However, from the very beginning it was never very easy to separate clusters by planes. This is mostly because, a cluster is NOT well defined, every cluster has its own shape and in n-dimensions, one could have long thin filaments and all kinds of snake like

dragon like shapes, which constitute clusters. Though statisticians try to approximate the shape of each cluster as an ellipsoid or even as a simple sphere, clusters in general would require more parameters to mathematically correctly define their shapes than the number of coefficients required to define the planes which are supposed to separate them. So all along it was, perhaps, very naive of all of us to have tried to separate clusters when such entities are not mathematically well defined. It is far better to separate the individual points and to use the enormous space and degrees of freedom that is available in n-dimension space to separate each point, rather than try to separate clusters which will never be well defined. The above arguments was the genesis of the idea that gave an impetus to do the kind of research work in [1-3,12] and that which is being presently reported in this paper.

Author's addresses: K.Eswaran and K.Damodhar Rao, Department of Computer Science, Sreenidhi Institute of Science and Technology, Yamnampet, Ghatkesar, Hyderabad, 500010 India.

Permission to make digital or hard copies of all or part of this work for personal or classroom use is granted without fee provided that copies are not made or distributed for profit or commercial advantage and that copies bear this notice and the full citation on the first page. Copyrights for components of this work owned by others than ACM must be honored. Abstracting with credit is permitted. To copy otherwise, or republish, to post on servers or to redistribute to lists, requires prior specific permission and/or a fee. Request permissions from permissions@acm.org.

© 2015 ACM. 1539-9087/2015/12-ART \$15.00
 DOI: 0000001.0000001

This direction has been greatly encouraged by the recent discovery of an algorithm which enables one to separate any number of given points in large dimension space in such a manner that every point is separated from every other by at least one plane. The best part of this algorithm is that it is non-iterative and finds the coefficients of the equations of each one of the planes that separate a given set of points; with a computational complexity of approx.

$O(n.N\log(N)) + O(n^3\log(N))$, where N is the given number of points and n is the dimension of space. (The steps of the algorithm and its detailed proof are given in [1-3,12]).

The subject of this paper is pattern recognition and the purpose of this paper is to show that by means of the above newly discovered algorithm one can build a noniterative classifier which can assign sample points in data to an appropriate (correct) class. Actually, as stated in the abstract, there are two methods which can be used for the classification of a new test-sample (point): (i) The first directly uses the information obtained from the planes that separate the training-sample points each of which are assumed to have a class label and then tries to classify the new test-sample. (ii) The second method is based on the first, but uses another ‘‘Cluster Discovery’’ algorithm to find the clusters which belong to each class in the training-sample feature space and then proceeds to perform a classification by trying to find out the cluster that the test-point would most probably belong to. The second method is more like the traditional neural method, but it is non-iterative and deterministic. The first method would seemingly be like a nearest neighbour algorithm, but this is not so as this method determines the exact

quadrant to which a neighbouring point belongs to and not just the distance. As will be clear (later on) in n -dimension space there are 2^n quadrants surrounding any neighbouring point, (which is a large number), in the present method since we have separated each point by planes we have in a manner taken the quadrant information into account, whereas a nearest neighbour method loses all quadrant and directional information, by reducing everything to a single number: the distance. It is this aspect that makes the present method superior as actual application reveals.

The next two sections describe both the methods and the third section after this gives the details of their application to the well known IRIS data set.

We delve into both the methods without further ado.

2. METHOD 1: A NEURAL CLASSIFIER BY USING SEPARATION OF INDIVIDUAL POINTS

In this method the process is as follows:

(i) All the data which consists of points in n -dimensional sample space is divided into two sets (a) a set of points, say N in number which will be considered as the ‘‘Training Set’’ and (b) another set of points which will be considered as the ‘‘Test Set’’. It will be assumed that each point in the Training set belongs to some class which is known. The points in the Test Set are assumed to be belonging to some unknown class which has to be discovered by the classifier.

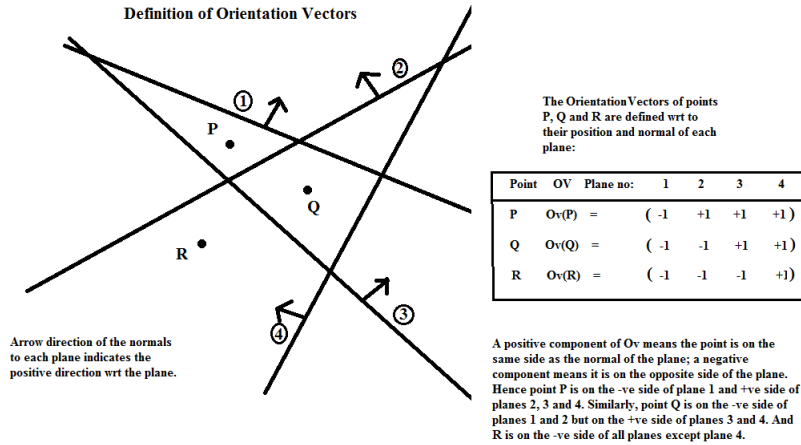
(ii) The new algorithm is then used to examine the coordinates of each point in the Training Set and then to find the coordinates of the planes that would separate each of the N points in this set so that each point is separated from the other by

¹The number of planes, q , required to do this would be such that $q = O(\log_2(N))$ this empirical estimate of q gets better when the number of dimensions, n , gets bigger. (For eg. for a particular set of random points, generated by the authors, where $N = 2,000$ and $n = 15$, it was only 22 planes (i.e. $q = 22$) where as for another case when $N = 50,000$ and $n = 25$ it was found that only 5 more planes ie 27 planes ($q = 27$) separated all the points, this increase is as per the empirical formula since $\log_2(50,000/2000) = \log_2(25) = 4.65 \approx 5$) planes.) See Ref[12] for details.

atleast one plane, let q be the number of planes that separate these points.¹

(iii) Once all the q planes and their equations have been found out the Orientation Vector (OV) of each of the N points is found. The OV is a Hamming vector,

of dimension q , which is associated with each point P belonging to the Training Set. If P is a point in the Training Set then its orientation vector $Ov(P)$ indicates the "orientation" of the point P w.r.t. each of the q planes See Figure below.



The Orientation Vector² has the property that two points (say) P and R will *not* have a plane between them *if and only if* $Ov(P) = Ov(R)$. That is $Ov(P) \neq Ov(R)$ automatically implies that P and R are separated by at least one of the q planes which separate each of the points in the Training Set.³

The algorithm that finds the planes which separate all the points is given in ref[2 ,3] and will not be repeated here.

After the points are separated and the planes that have performed the separation are known then the method to process the classification of new points is easily devised as we shall see. We use the information obtained from the planes that separate the training-sample points each of which are assumed to have a class label and then try to classify the new test-sample.

2.1. An application to Data Classification and Retrieval

We will now briefly describe how this algorithm can be applied to data retrieval. Suppose one has N points in a n dimension X -Space and the algorithm was used to separate all N points and it was found after running the algorithm that q planes were finally necessary. We will now show that this information can be used as a data retrieval device. That is, all the data can now be stored in such a manner that retrieval can be done with great efficiency.

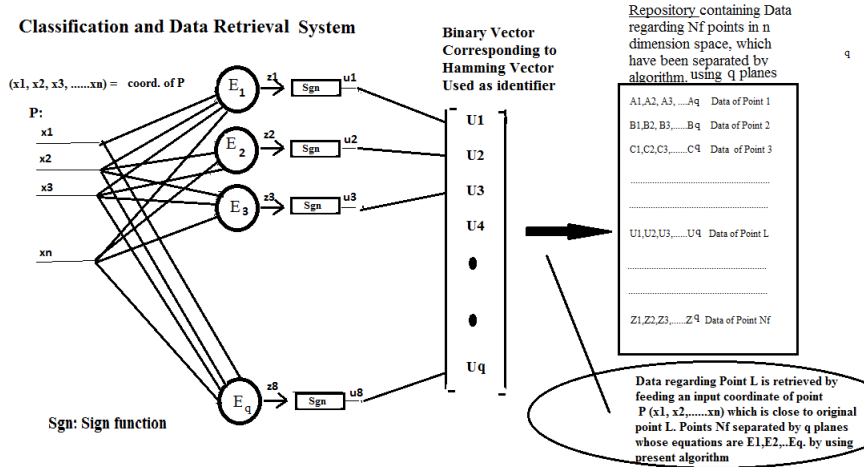
²It is assumed that every plane will have a specific (defined) normal direction, a point which lies on the positive side of the normal is said to lie on the positive side of the plane, on the other hand if the point lies on the other side it is said to lie on the negative side. This direction is easily found if the equation of the plane is known for example if $1 + \alpha_1 x_1 + \alpha_2 x_2 + \dots + \alpha_n x_n = 0$ is the equation to a particular n -dimensional plane then a point P whose coordinates are (p_1, p_2, \dots, p_n) and is not on the plane, will be said to be on the positive side of this plane if $1 + \alpha_1 p_1 + \alpha_2 p_2 + \dots + \alpha_n p_n > 0$ and in the negative side if $1 + \alpha_1 p_1 + \alpha_2 p_2 + \dots + \alpha_n p_n < 0$.

³Another fact, that only adds to the prospect of success in this new direction is that: for large n dimension space where $2^n > N$ (N being the number of points), one will find that the number of planes q , needed for separating N points is far less than the number of points itself, in fact $q = O(\log_2(N))$.

Now for purposes of this illustration we will assume that each point N represents one n dimensional sample in X -Space. This sample, data point, will have n numbers which may relate to a medical data of one person or alternatively it could be an image involving n pixels and represent a photograph of a person. Now we wish to store many such samples, data points, in such a manner that classification and retrieval becomes easy. The idea is simple: after we had run the algorithm which separates each of the N data points (samples) by q number of planes, we will have the exact information of how each of the data points N reside in X -Space with respect to each other and the separation planes, because we have the Orientation Vector for each point stored in S . We can use this information to (i) store and classify the data in such a manner that it is possible to (ii) retrieve it easily. What we mean is that after the storage is done and if we are given a fresh (approximate) data of a person whose data is stored in the storage receptacle in the repository, it possible to use this new (approximate) data to retrieve the stored data (image).

In other words if we are given a new sample point, we can retrieve another example point which is closest to the present sample point. Example if the new sample point is P and it may represent the medical data of a person P , then we can retrieve another data point of a person L (stored in the data base), which is closest to the present sample point P .

We show that if this new sample point P in X -space, is close to some other sample point L (say) stored in the receptacle then we can discover this fact by calculating $Ov(P)$, the Orientation Vector of P and taking a "dot product" with the Orientation Vector $Ov(Q)$, of all other points Q stored in the data base. Then by comparison one will find a point L such that the dot product $Ov(P).Ov(L)$ is a maximum. Obviously then the point L is the one closest to the sample point P and hence in all probability points P and L will belong to the same class. This is how we associate the class of the new sample P with the class of point L , the latter being known. The above steps can be represented as a diagram which is nothing but a neural engine in the picture below:



In the figure E_1 represent the equation to the first plane stored in S ; We assume that the equation to this plane is given by

$$1 + \alpha_1 x_1 + \alpha_2 x_2 + \dots + \alpha_n x_n = 0 \quad (1)$$

we then define

$$z_1 = 1 + \alpha_1 x_1 + \alpha_2 x_2 + \dots + \alpha_n x_n \quad (2)$$

If we use the Sgn (Sign) function defined as: $Sgn(z)$ defined s.t. $Sgn(z) = 1$, if $z > 0$

and $Sgn(z) = -1$ if $z < 0$ and define $U_1 = Sgn(z_1)$, then U_1 is 1 if the point P is on the +ve side of plane 1 and is -1 if it is on the -ve side of plane 1. the same goes for the other planes E_2, E_3, \dots, E_q . So the output array $(U_1, U_2, U_3, \dots, U_q)$ is nothing but a Hamming Vector which is the orientation vector $Ov(P)$. Therefore our "Storage Plan" for each point L in is to use the Hamming Vector which is the Orientation Vector $Ov(L)$ of a point L as its label (like a binary label). This label is like a pointer to the information about L stored in a receptacle in the space next to this label of L for easy retrieval.

"Retrieval Plan": Present an approximate image of L say P to the network. It is then possible to immediately retrieve the information about L.

2.2. Results on the IRIS FLOWER

Classification Problem using Method 1.

In this sub-section we describe how the classification-retrieval system can be applied on a typical data. Here we have chosen as our example the IRIS data set (see Appendix for data) that was first introduced by Ronald Fisher [15] in his famous paper which started the field of multivariate analysis and statistical classification. The reason which prompted us to choose this particular data set is two fold: (i) It is a data set which is not too elementary nor too complicated for us to be drowned in the details and forget the essence of the new method that we wish to introduce (ii) It is familiar to almost every researcher across disciplines hence we feel this example is an appropriate choice which will interest more people to use this new technique.

The IRIS data set [15-17] is a data set which was first collected by Edgar Anderson and has data regarding three species of flowers: Iris setosa, Iris virginica and Iris versicolor data. Four features were measured from each sample: the length and the width of the sepals and petals, in centimetres, thus the data is 4-dimensional. Based on the data the task is to classify any other sample flower into one of the three classes if we are just given

these 4 measurements of that sample (i.e. we try to find the species of the given sample flower). The data consists of 4 numbers each for 150 flowers (50 samples for each class).

We applied our method on the IRIS data set in the following manner:

(i) we separated the data into two sets (a) the training set and (b) the test set. The test set was obtained from the IRIS data by choosing every 5th flower, so there were 120 flowers left in the training set and 29 in test set (it was discovered that two flowers had the same dimensions so one of them had to be removed, leaving 149 samples).

(ii) We only used the training set of 120 samples, to build our classification - retrieval system.

Training Process:

The classification system was built in the following steps:

Step 1: Use the separation algorithm to separate the 120 samples each of which can be represented by a point in 4-dimension space, by planes.

To start the algorithm we initially chose in set S, 4 planes whose equations were of the form: $-\bar{x}_j^{-1}x_j + 1 = 0$ ($j = 1$ to 4) where \bar{x}_j is the average value of x_j of the data set.

Step 2: We run the algorithm which transfers points from initial set G to set S such that each point is in its own 'quadrant' drawing planes when ever necessary . It was found that 24 planes separate all the 120 points.

Step 3 : By the means of the coefficients of the 24 planes the classification system shown in the figure can be built, this system basically finds the OV's of any incoming 4 dimensional point P. In our case there will be 24 processing elements E_1, E_2, \dots, E_{24} in the first layer because there are 24 planes.

Testing Process:

After this for the testing process each of the 29 points were presented and the OV of each point was found, then the OV's of each point was compared to the OV's of

the other 120 points and the closest match was found. By this manner:

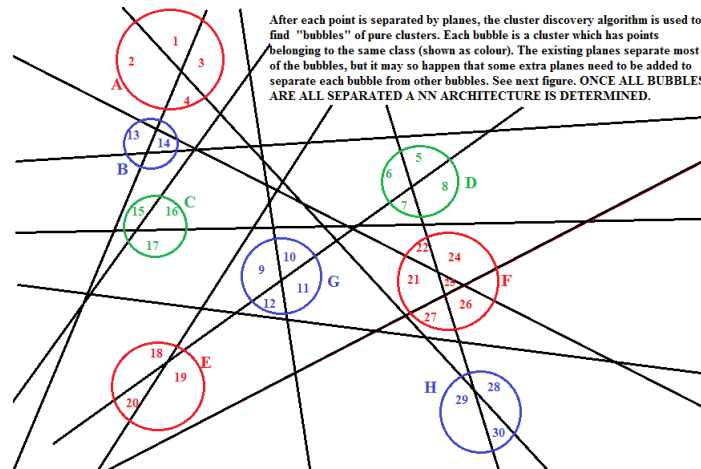
It was found that: (i) 9 points (point numbers 5, 10, 25, 30, 35, 40, 70, 85 and 110) from the test data had the same OV as some point in the train data (ii) 9 points (point numbers 15, 20, 45, 50, 75, 100, 105, 140 and 145) from the test data had their OV's differing from their closest match with the train data by only one component (iii) 8 points (point numbers 55, 60, 65, 80, 95, 120, 125 and 130) from the test data had their OV's differing from their closest match with the train data by only two components (iv) 2 points (point numbers 90 and 115) from the test data had their OV's differing from their closest match with the train data by only three components (v) 1 point (point number 135) is wrongly classified as class1 and class2 .

Conclusion: In method 1, only one point (point number 135 was misclassified) out of 29 test points all the others were correctly classified according to their nearest match (quadrants). Of course since we are using planes which separate all the 120 training points all the 120 train points are, obviously, exactly classified.

3. METHOD 2: CLASSIFICATION BY USING A CLUSTER DISCOVERY ALGORITHM IN ADDITION TO THE POINT SEPARATION METHOD.

In this method we use the information of the OV's by application of the previous algorithm, to form pure clusters of the training data, in such a manner that each cluster has within itself only points belonging to the same class. This is done by another "cluster discovery" algorithm which is of complexity $O(N^2)$. After which it is easily possible to determine the architecture of a three layer neural network of processing elements and write down the weights of each processing elements without any more ado. It may be recalled that the weights of the processing elements are nothing but the coefficients of the planes that separate the clusters, since these are known the weights are known. Thus we have obtained a non-iterative and deterministic method of building a neural classifier.

The Cluster Discovery Algorithm: This is a simple algorithm for obtaining "pure bubbles" from data. What we mean as a pure bubble is a spherical region containing only points belonging to one class, if we are given as input a collection of points the algorithm finds the "bubbles" which separate points belonging to one class from points belonging to a different class.



We are given a set of data points in G belonging to various classes.

Step 1: Begin: Pick a point at random from set G (say) point P, put it in a set called bubble B_P if it belongs to class say class A, then call the coordinate of P as Center, go to Step 2

Step 2: Then find another nearest point to Center, say Q, if it also belongs to class A then include Q in B_P . Find the “radius r of the bubble as the distance from the Center to its furthest point contained in the Bubble. Go to Step 3 if the latest point Q has the same class as P else go to Step 4

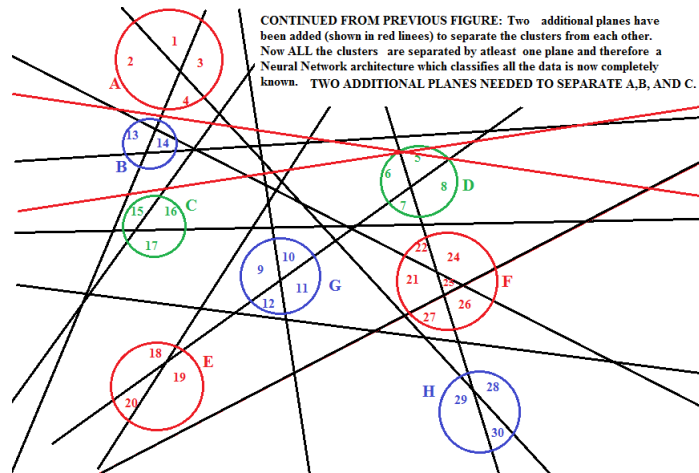
Step 3: Find the centroid of points in Bubble B_P call the centroid a Center then go to Step 2 to find another Q

Step 4 (you will come here when the point Q does not belong to the class of point P.) Find the radius r between Center and Q, put r_j , as $r_j = r - \epsilon$, where ϵ is a small positive number.(Also check if all points inside this radius belong to the same class, else step back and choose the previous bubble.) Give a name to the bubble B_P as say B_j with radius r_j . Store B_j

and remove the points inside the bubble B_j from set G. If G is empty Quit else go to Step 1 to Begin again and find a new bubble around a new point P.

This algorithm finds bubbles (spherical clusters) of various sizes each bubble having points belonging to the same class and a known radius.

Once all the points are separated by planes. This algorithm will discover the small pure clusters (bubbles), now most of the bubbles will be separated from one another by the existing planes. However it may some times be required to add additional planes so that two bubbles are separated by at least one plane. These additional planes are shown in red in the figure below. A simple algorithm can be used to separate two bubbles (say bubble A from B) by drawing a plane perpendicular to line joining the centers of A and B, the position of this plane can be suitably chosen to be outside the two bubbles. The OV's of each point can be used to discover which particular bubbles need to be separated by additional planes.(Se Figure below:)



NOTE: In order to check if the clusters are separable by planes we need to calculate the cluster OV's, to do this we adopt the same procedure as that of points, that is if a bubble is to the +ve side of plane no. 5 (say) its 5th component will be +1

and if it is on the negative side of plane 5 it will be -1. However if a plane passes through the bubble then its component is made 0, example if plane 7 passes through the bubble the 7th component is made 0, when this happens we say that the plane

7 is **disabled** for that cluster. The cluster OV is the common OV of the points in the cluster after disabling the planes that pass through the cluster. The procedure is adopted to quickly find if every two bubbles say A and B are separated from one and another a requirement which will be met if atleast one plane (which is not disabled wrt to A and B) separates the two clusters. (Of course while separating points by planes no planes are disabled because it is ensured that no plane passes through a point, but this is not guaranteed for extended objects like clusters).

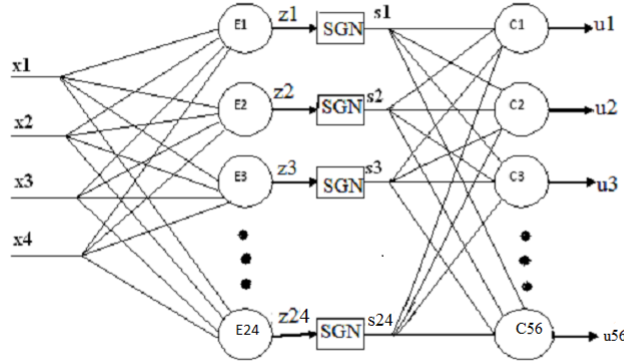
By using the above method we are able to obtain planes which separate clusters

after they have been discovered by the “Cluster Discovery” algorithm. By using the methods described in Ref [18] we will be determine the neural architecture which can classify the clusters. But very importantly in our case the coefficients of all the planes are already known, hence the weights of the processing elements are already determined. Hence this method is non iterative, just like Method 1.

3.1. Results on the IRIS FLOWER Classification Problem using Method 2

We applied the above method for the same IRIS Flower data. And did as follows:

NEURAL NETWORK ARCHITECTURE FOR IRIS FLOWER DATA USING CLUSTER DISCOVERY (METHOD 2)



In this case it was not found necessary to introduce more planes to separate the clusters, 24 planes were sufficient. And the final group of clusters were 56.

In the figure E1 represents the equation to the first plane stored in S; we assume that the equation to this plane is given by $1 + \alpha_1 x_1 + \alpha_2 x_2 + \alpha_3 x_3 + \alpha_4 x_4 = 0$

We then define $z_1 = 1 + \alpha_1 x_1 + \alpha_2 x_2 + \alpha_3 x_3 + \alpha_4 x_4$ If we use the Sgn (Sign) function defined as: $Sgn(z)$ defined s.t. $Sgn(z) = 1$, if $z > 0$ and $Sgn(z) = -1$ if $z < 0$ and define $s_1 = Sgn(z_1)$, then s_1

is 1 if the point P is on the +ve side of plane 1 and is -1 if it is on the -ve side of plane 1. The same goes for the other planes $E_1, E_2, E_3, \dots, E_{24}$ We examine all the outputs $u_1, u_2, u_3, \dots, u_{56}$ obtained from the orientation vector $Ov(P)$ (since by definition $u_j = Ov(P) \cdot Ov(c_j)$) and we choose that u_j which has the maximum positive value (dot product). Suppose u_j is maximum then cluster c_j is considered as the “attractor” and the input point P, whose coordinates are (x_1, x_2, x_3, x_4) is considered to belong to that class which c_j be-

longs. In this manner all the 29 test points were classified.

Procedure and Results: Initially 86 bubbles were discovered, it was found that by regrouping bubbles which have the same OV's and which belong to same class (after disabling of the planes which passes through the bubbles) there were 56 cluster groups. These cluster OV's were computed by disabling of the planes which pass through the merged bubbles. All cluster OV's were then unique, though clusters which belong to the same class are permitted to have the same OV's. As stated above this process of creating bubbles and merging them (discovering clusters), can be easily programmed, using the information of the OV's of all the points in the Training data set. When the OV's of the bubbles belonging to the different classes have the same OV, we can separate these bubbles by drawing necessary planes. In this particular IRIS case it was not needed to draw any more planes. At times when a point belonging to one class comes within a central region of a bubble belonging to a different class, we need to separate these points by creating new bubbles. It may then happen that there will be bubbles with only one point. The cluster discovery algorithm does all this automatically.

5. ACKNOWLEDGEMENTS

The authors thank the management of Sreenidhi: Dr P. Narsimaha Reddy and Dr K.T Mahi for their sustained support; the HOD Dr Aruna Varanasi and their colleagues for creating a happy environment. Both the authors K.E. and K.D.R, thank their spouses Suhasini and Amani, resp. for their unwavering faith and encouragement.

6. REFERENCES

- [1] K.Eswaran: A system and method of classification etc. Patents filed IPO No.(a) 1256/CHE July 2006 and (b) 2669/CHE June 2015
- [2] K.Eswaran: On a non-iterative algorithm for separation of points in n-dimension space by planes , 2015 (sent for publication): arxiv.org/abs/1509.08742
- [3] K.Eswaran : On the storage and retrieval of primes and other random numbers using n-dimensional geometry, 2015, (sent for publication): arxiv.org/abs/1511.08941
- [4] R.A. Fischer: The statistical utilization of multiple measurements, *Annals of Eugenics*, 8, 376-386 (1938); also *Annals Eugenics*, 7, 179-188 (1936)
- [5] P.C. Mahalanobis: On the generalized distance in statistics, *Proc. Nat. Inst. of Sc. India*, 12, 49-55 (1936)
- [6] McCullough, W. and Pitts, W. A: Logical calculus of the ideas immanent in nervous activity, *Bulletin of Mathematical Biophysics*, 5:115-133. (1943)

The crucial and essential point to be remembered is that the procedures described in this paper is non-iterative and leads to a NN architecture which classifies the data.

We tested the data on the neural network shown in figure, by first applying it on 120 training points. All 120 points were correctly classified. We also tested this network by passing each of the 29 test points as an input to the NN. Out of 29 points only one point was wrongly classified as class 2 (no. 130). All the other 28 points were correctly classified.

4. CONCLUSION

In this paper we have used a new algorithm which separates points in n-dimension space by planes to develop non-iterative classification techniques for solving pattern recognition problems using neural networks. The methods developed in this paper are very new and will find application in neural research and Deep Learning not only because of their non-iterative and deterministic nature but also because of their efficiency and speed. It is strongly felt that they have the potential to supersede other classification methods which are iterative in nature and rely on error minimization.

- [7] A. N. Kolmogorov: On the representation of continuous functions of many variables by superpositions of continuous functions of one variable and addition. Doklady Akademii Nauk USSR, 14(5):953 - 956,(1957). Translated in: Amer. Math Soc. Transl. 28, 55-59 (1963).
- [8] Paul Werbos: Beyond Regression: New Tools for Prediction and Analysis in the Behavioral Sciences, PhD thesis, Harvard University, 1974
- [9] Rumelhart, D. E., Hinton, G. E., and R. J. Williams: Learning representations by back-propagating errors. Nature, 323, 533-536 (1986).
- [10] J. Schmidhuber: Deep Learning in Neural Networks: An Overview. 75 pages, www.arxiv.org-slashabs-slash1404.7828 (2014).
- [11] Yoshua Bengio: Learning Deep Architectures for AI. Foundations and Trends in Machine Learning: Vol. 2: No. 1, pp 1-127 (2009). 7
- [12] K. Eswaran: Results of Separation of points in high dimension space from a computer program based on the non-iterative algorithm,
Tech Report: www.researchgate.net(slash)publication(slash)285149835 (slash)Results
- [13] J.C. Hawkins with S. Blakeslee: On Intelligence, Publ. Henry Holt and Co. NY. (2004)
- [14] D. George and J.C. Hawkins: Trainable hierarchical memory system and method, January 24 2012.
URL www.google.com patents US8103603. US Patent 8,103,603
- [15] R. A. Fisher (1936). "The use of multiple measurements in taxonomic problems" (PDF). Annals of Eugenics 7 (2): 179-188. doi:10.1111/j.1469-1809.1936.tb02137.x.
- [16] Edgar Anderson (1936). "The species problem in Iris". Annals of the Missouri Botanical Garden 23 (3): 457-509. JSTOR 2394164.
http: archive.ics.uci.edu-slash-ml-slash-machine-learning-databases-slash-iris
- [17] Edgar Anderson (1935). "The irises of the Gasp Peninsula". Bulletin of the American Iris Society 59: 2-5.
- [18] K Eswaran and Vishwajeet Singh. Article: Some Theorems for Feed Forward Neural Networks. International Journal of Computer Applications 130(7):1-17, November 2015.

7. APPENDIX: PARTICULARS OF IRIS DATA AND PLANE COEFFICIENTS

Iris data were taken from [http: archive.ics.uci.edu \(slash\)ml\(slash\)machine-learning-databases\(slash\) iris](http://archive.ics.uci.edu/ml/machine-learning-databases/iris). Points 102 and 143 had the same coordinates, so we removed point 143. The order of points from 1 to 142 were same as before, but the points 144 to point 150 were renumbered as 143 to 149.

Results of Method 1: For testing we used 29 points which are points:

5,10,15,20,25,30,35,40,45,50,55,60,65,70,75,80,85,90,95,100,105,110,115,120,125,130,135,140 and 145 (ie is we just took every 5th point as a test point to avoid bias).

For training we used 120 points which were the points other than testing points.

All the equations of the planes are of the form: $1 + \alpha_1 x_1 + \alpha_2 x_2 + \alpha_3 x_3 + \alpha_4 x_4 = 0$.

The coefficients $\alpha_1, \alpha_2, \alpha_3, \alpha_4$ which were found by the separation algorithm [2-3] are given below for all the 24 planes:

```

1 -0.171135196 0.0 0.0 0.0
2 0.0 -0.327082424 0.0 0.0
3 0.0 0.0 -0.266098988 0.0
4 0.0 0.0 0.0 -0.833796553
5 0.0915693084 -0.179981054 -0.982001894 2.39974739
6 -3.01654425 3.39045923 3.27472364 -5.11462274
7 -1.06402164 -1.24436429 1.63510670 1.03997595
8 -0.03822102608 -0.121900195 -0.0407087851 -0.151979464
9 0.0229477417 0.0500678001 -0.281631375 -0.00834463335
10 -0.170647862 -0.156544733 0.152666372 -0.165359189
11 0.00753583558 -0.60146733 -0.0748200819 0.610617992

```

12 0.161856393 -0.373535929 -0.104325804 -0.221864376
 13 0.183604336 -0.987804878 -0.377032520 1.31029810
 14 -0.259943020 0.0116093648 0.270751739 -0.411665410
 15 -0.288949841 -0.187926024 0.272112538 -0.00434511039
 16 -0.135210559 -0.131751684 0.0658758421 -0.0248410096
 17 -0.524137931 0.758620689 -0.317241379 -2.55172413
 18 -0.238095238 0.384615384 -0.540293040 -1.02564102
 19 -0.0861793807 -0.0127673156 -0.370252154 0.194701563
 20 -0.952380952 2.85714285 -4.76190476 1.90476190
 21 -2.39533233 2.68548450 2.73752266 -4.10470708
 22 -0.564408491 0.208095213 0.368554173 0.0940926620
 23 -0.0959491471 -0.0793593893 -0.390971649 0.859509858
 24 -0.585521309 0.434385125 0.397997055 -0.335871170

Results of Method 2:

(i) List of Bubbles

The following list contains the points within each bubble. The suffixes indicate the bubble number of the bubble. For example bubble number 5, contains points:22,47,49. THE TOTAL NUMBER OF BUBBLES = 86.

(1, 18)₁, (6, 9, 11)₂, (16, 34, 17)₃, (21, 32)₄, (22, 47, 49)₅, (33)₆, (37)₇, (41)₈, (14)₉, (42)₁₀, (9)₁₁, (39)₁₂, (43)₁₃, (4)₁₄, (48)₁₅, (13)₁₆, (3)₁₇, (46)₁₈, (7)₁₉, (2)₂₀, (23)₂₁, (31)₂₂, (26)₂₃, (36)₂₄, (12)₂₅, (8)₂₆, (38)₂₇, (27)₂₈, (24)₂₉, (44)₃₀, (29)₃₁, (28)₃₂, (51, 53)₃₃, (52, 57, 92)₃₄, (54, 81, 82)₃₅, (56, 67, 97)₃₆, (59, 76, 66)₃₇, (61, 94)₃₈, (62)₃₉, (63, 93, 68)₄₀, (64)₄₁, (69, 88, 73)₄₂, (71)₄₃, (72, 98)₄₄, (74)₄₅, (77)₄₆, (78)₄₇, (79)₄₈, (83)₄₉, (84)₅₀, (86)₅₁, (89, 96)₅₂, (91)₅₃, (99)₅₄, (87)₅₅, (58)₅₆, (101, 137)₅₇, (102, 114, 122)₅₈, (103)₅₉, (104, 117, 138)₆₀, (106, 123, 119)₆₁, (108)₆₂, (109, 129, 133)₆₃, (111)₆₄, (112)₆₅, (113)₆₆, (118, 132)₆₇, (124)₆₈, (134)₆₉, (136)₇₀, (139)₇₁, (142)₇₂, (143)₇₃, (146)₇₄, (148)₇₅, (149)₇₆, (144)₇₇, (107)₇₈, (126)₇₉, (131)₈₀, (147)₈₁, (116)₈₂, (141)₈₃, (121)₈₄, (127)₈₅, (128)₈₆

(ii) List of Clusters

The 86 bubbles were then merged/ regrouped to 56 clusters.

All cluster OVs were then unique, though clusters which belong to the same class are permitted to have the same OVs. In this particular case it was not required to introduce any additional planes to separate the bubbles which belong to different classes. The distribution of the 86 bubbles into 56 clusters are given below:

Cluster 1 contains Bubbles: (1,2,3,4,5,6,8,26,27,28,31,32); Cluster 2: (7); Cluster 3:(9); 4:(10); 5:(11); 6:(12); 7:(13); 8:(14); 9:(15); 10:(16); 11:(17); 12:(18); 13:(19); 14:(20); 15:(21); 16:(22); 17:(23); 18:(24); 19:(25); 20:(29); 21:(30); 22:(33,34,37,39,44,48,51,46,55); 23:(35,38,40,42); 24:(36,52,53); 25:(41); 26:(43); 27:(45); 28:(47); 29:(49); 30:(50); 31:(54); 32:(56); 33:(63,65); 34:(81,82,83,84,85,86); 35:(57); 36:(58); 37:(59); 38:(60); 39:(61); 40:(62); 41:(67); 42:(69); 43:(70); 44:(71); 45:(72); 46:(73); 47:(74); 48:(75); 49:(76); 50:(78); 51:(79); 52:(80); 53:(64); 54:(66); 55:(68) and Cluster 56:(77).

The numbers calculated by the two algorithms and given in this Appendix completely determined the NN architecture for the IRIS problem as shown in the last section of the paper and with results described therein.

SUPPLEMENTARY MATERIAL

(i) Training points of the IRIS FLOWER DATA SET The coordinates of all the 120 Training points are given below. Note every 5th Point was taken to be test point, their

data was not taken into account for training. The 24 planes whose coefficients are given in the Appendix separate only these 120 points.

PointNo x_1, x_2, x_3, x_4

1 5.1 3.5 1.4 0.2
 2 4.9 3.0 1.4 0.2
 3 4.7 3.2 1.3 0.2
 4 4.6 3.1 1.5 0.2
 6 5.4 3.9 1.7 0.4
 7 4.6 3.4 1.4 0.3
 8 5.0 3.4 1.5 0.2
 9 4.4 2.9 1.4 0.2
 11 5.4 3.7 1.5 0.2
 12 4.8 3.4 1.6 0.2
 13 4.8 3.0 1.4 0.1
 14 4.3 3.0 1.1 0.1
 16 5.7 4.4 1.5 0.4
 17 5.4 3.9 1.3 0.4
 18 5.1 3.5 1.4 0.3
 19 5.7 3.8 1.7 0.3
 21 5.4 3.4 1.7 0.2
 22 5.1 3.7 1.5 0.4
 23 4.6 3.6 1.0 0.2
 24 5.1 3.3 1.7 0.5
 26 5.0 3.0 1.6 0.2
 27 5.0 3.4 1.6 0.4
 28 5.2 3.5 1.5 0.2
 29 5.2 3.4 1.4 0.2
 31 4.8 3.1 1.6 0.2
 32 5.4 3.4 1.5 0.4
 33 5.2 4.1 1.5 0.1
 34 5.5 4.2 1.4 0.2
 36 5.0 3.2 1.2 0.2
 37 5.5 3.5 1.3 0.2
 38 4.9 3.6 1.4 0.1
 39 4.4 3.0 1.3 0.2
 41 5.0 3.5 1.3 0.3
 42 4.5 2.3 1.3 0.3
 43 4.4 3.2 1.3 0.2
 44 5.0 3.5 1.6 0.6
 46 4.8 3.0 1.4 0.3
 47 5.1 3.8 1.6 0.2
 48 4.6 3.2 1.4 0.2
 49 5.3 3.7 1.5 0.2
 51 7.0 3.2 4.7 1.4
 52 6.4 3.2 4.5 1.5
 53 6.9 3.1 4.9 1.5
 54 5.5 2.3 4.0 1.3
 56 5.7 2.8 4.5 1.3
 57 6.3 3.3 4.7 1.6
 58 4.9 2.4 3.3 1.0
 59 6.6 2.9 4.6 1.3
 61 5.0 2.0 3.5 1.0

62 5.9 3.0 4.2 1.5
63 6.0 2.2 4.0 1.0
64 6.1 2.9 4.7 1.4
66 6.7 3.1 4.4 1.4
67 5.6 3.0 4.5 1.5
68 5.8 2.7 4.1 1.0
69 6.2 2.2 4.5 1.5
71 5.9 3.2 4.8 1.8
72 6.1 2.8 4.0 1.3
73 6.3 2.5 4.9 1.5
74 6.1 2.8 4.7 1.2
76 6.6 3.0 4.4 1.4
77 6.8 2.8 4.8 1.4
78 6.7 3.0 5.0 1.7
79 6.0 2.9 4.5 1.5
81 5.5 2.4 3.8 1.1
82 5.5 2.4 3.7 1.0
83 5.8 2.7 3.9 1.2
84 6.0 2.7 5.1 1.6
86 6.0 3.4 4.5 1.6
87 6.7 3.1 4.7 1.5
88 6.3 2.3 4.4 1.3
89 5.6 3.0 4.1 1.3
91 5.5 2.6 4.4 1.2
92 6.1 3.0 4.6 1.4
93 5.8 2.6 4.0 1.2
94 5.0 2.3 3.3 1.0
96 5.7 3.0 4.2 1.2
97 5.7 2.9 4.2 1.3
98 6.2 2.9 4.3 1.3
99 5.1 2.5 3.0 1.1
101 6.3 3.3 6.0 2.5
102 5.8 2.7 5.1 1.9
103 7.1 3.0 5.9 2.1
104 6.3 2.9 5.6 1.8
106 7.6 3.0 6.6 2.1
107 4.9 2.5 4.5 1.7
108 7.3 2.9 6.3 1.8
109 6.7 2.5 5.8 1.8
111 6.5 3.2 5.1 2.0
112 6.4 2.7 5.3 1.9
113 6.8 3.0 5.5 2.1
114 5.7 2.5 5.0 2.0
116 6.4 3.2 5.3 2.3
117 6.5 3.0 5.5 1.8
118 7.7 3.8 6.7 2.2
119 7.7 2.6 6.9 2.3
121 6.9 3.2 5.7 2.3
122 5.6 2.8 4.9 2.0
123 7.7 2.8 6.7 2.0
124 6.3 2.7 4.9 1.8
126 7.2 3.2 6.0 1.8

127 6.2 2.8 4.8 1.8
 128 6.1 3.0 4.9 1.8
 129 6.4 2.8 5.6 2.1
 131 7.4 2.8 6.1 1.9
 132 7.9 3.8 6.4 2.0
 133 6.4 2.8 5.6 2.2
 134 6.3 2.8 5.1 1.5
 136 7.7 3.0 6.1 2.3
 137 6.3 3.4 5.6 2.4
 138 6.4 3.1 5.5 1.8
 139 6.0 3.0 4.8 1.8
 141 6.7 3.1 5.6 2.4
 142 6.9 3.1 5.1 2.3
 143 6.8 3.2 5.9 2.3
 144 6.7 3.3 5.7 2.5
 146 6.3 2.5 5.0 1.9
 147 6.5 3.0 5.2 2.0
 148 6.2 3.4 5.4 2.3
 149 5.9 3.0 5.1 1.8

The 24 planes whose coefficients are given in the Appendix separate only these 120 points. The Orientation vectors of the 120 points w.r.t these 24 planes are given below. (See foot note 2 on page 3, to recall how the OV's are defined.)

It may be easily checked that each of the 120 OV's given below is unique, thus proving that the 24 planes really separate each of the the 120 test points from one another.

ORIENTATION VECTORS OF TRAINING POINTS:

OV (1) = 1 -1 1 1 -1 1 -1 1 1 -1 -1 1 -1 1 -1 1 1 -1 1 -1 1 -1 1
 OV (2) = 1 1 1 1 1 -1 -1 1 1 -1 -1 1 -1 1 -1 1 -1 1 -1 1 -1 1 -1 1
 OV (3) = 1 -1 1 1 1 1 -1 1 1 -1 -1 1 -1 1 -1 1 1 1 -1 1 -1 1 -1 1
 OV (4) = 1 -1 1 1 -1 1 -1 1 1 -1 -1 1 -1 1 -1 1 1 -1 1 -1 1 -1 1
 OV (6) = 1 -1 1 1 1 1 -1 1 1 -1 -1 1 -1 -1 -1 -1 -1 -1 -1 1 -1 -1 1
 OV (7) = 1 -1 1 1 1 1 -1 1 1 -1 -1 1 -1 1 -1 1 1 1 1 -1 -1 1 -1 1
 OV (8) = 1 -1 1 1 -1 1 -1 1 1 -1 -1 1 -1 1 -1 -1 -1 1 1 -1 1 -1 1 1
 OV (9) = 1 1 1 1 -1 1 -1 1 1 -1 -1 1 -1 1 -1 1 -1 1 1 -1 1 -1 1 -1 1
 OV (11) = 1 -1 1 1 -1 1 -1 1 1 -1 -1 1 -1 -1 -1 -1 -1 1 -1 -1 1 -1 -1 1
 OV (12) = 1 -1 1 1 -1 1 -1 1 1 -1 -1 1 -1 1 1 1 -1 -1 1 -1 -1 1 -1 1
 OV (13) = 1 1 1 1 -1 1 -1 1 1 -1 -1 1 -1 1 -1 1 1 1 1 -1 1 -1 1 -1 1
 OV (14) = 1 1 1 1 1 1 -1 1 1 -1 -1 1 -1 1 -1 1 1 1 1 1 1 -1 1 1 1
 OV (16) = 1 -1 1 1 1 1 -1 1 1 -1 -1 1 -1 -1 -1 -1 -1 1 -1 1 1 -1 -1 1
 OV (17) = 1 -1 1 1 1 1 -1 1 1 -1 -1 1 -1 -1 -1 -1 -1 1 1 1 1 -1 1 -1
 OV (18) = 1 -1 1 1 1 1 -1 1 1 -1 -1 1 -1 -1 -1 -1 -1 1 1 1 1 -1 -1 -1
 OV (19) = 1 -1 1 1 -1 1 -1 1 1 -1 -1 1 -1 -1 -1 -1 -1 -1 -1 -1 -1 -1 -1
 OV (21) = 1 -1 1 1 -1 1 -1 1 1 -1 -1 1 -1 1 -1 -1 -1 -1 -1 1 -1 -1 -1
 OV (22) = 1 -1 1 1 1 1 -1 1 1 -1 -1 1 -1 -1 -1 -1 -1 -1 1 1 1 -1 -1 1
 OV (23) = 1 -1 1 1 1 1 -1 1 1 -1 -1 1 -1 1 -1 -1 -1 1 1 1 1 -1 1 1
 OV (24) = 1 -1 1 1 1 -1 -1 1 1 -1 -1 1 -1 -1 -1 -1 -1 -1 -1 -1 -1 1 1 -1
 OV (26) = 1 1 1 1 -1 1 -1 1 1 -1 -1 1 -1 1 -1 -1 -1 -1 -1 1 -1 -1 -1
 OV (27) = 1 -1 1 1 1 1 -1 1 1 -1 -1 1 -1 1 -1 -1 -1 -1 1 -1 1 -1 -1 1
 OV (28) = 1 -1 1 1 -1 1 -1 1 1 -1 -1 1 -1 1 -1 -1 -1 1 -1 1 -1 -1 -1
 OV (29) = 1 -1 1 1 -1 1 -1 1 1 -1 -1 1 -1 -1 -1 -1 -1 -1 1 1 -1 -1 -1
 OV (31) = 1 -1 1 1 -1 1 -1 1 1 -1 -1 1 -1 1 -1 1 -1 -1 -1 -1 -1 -1 -1
 OV (32) = 1 -1 1 1 1 -1 -1 1 1 -1 -1 1 -1 -1 -1 -1 -1 -1 -1 1 -1 -1 -1
 OV (33) = 1 -1 1 1 -1 1 -1 1 1 -1 -1 1 -1 1 -1 -1 -1 1 1 1 -1 1 1 -1

OV(34) = 1 -1 1 1 -1 1 -1 1 1 -1 -1 1 -1 -1 -1 -1 1 1 -1 1 1 -1 -1 1
 OV(36) = 1 -1 1 1 1 -1 -1 1 1 -1 -1 1 -1 -1 -1 -1 -1 1 1 1 1 -1 -1 -1
 OV(37) = 1 -1 1 1 1 -1 -1 1 1 -1 -1 1 -1 -1 -1 -1 -1 1 1 -1 -1 -1 -1 -1
 OV(38) = 1 -1 1 1 -1 1 -1 1 1 -1 -1 1 -1 -1 -1 -1 -1 1 1 1 1 1 -1 -1 1
 OV(39) = 1 1 1 1 1 1 -1 1 1 -1 -1 1 -1 1 -1 1 1 1 1 1 -1 1 -1 1 1
 OV(41) = 1 -1 1 1 1 1 -1 1 1 -1 -1 1 -1 -1 -1 -1 -1 1 1 1 1 -1 -1 1
 OV(42) = 1 1 1 1 1 -1 -1 1 1 1 -1 1 -1 1 -1 1 -1 -1 -1 -1 -1 1 -1
 OV(43) = 1 -1 1 1 1 1 -1 1 1 -1 -1 1 -1 1 -1 1 1 1 1 1 1 -1 -1 1
 OV(44) = 1 -1 1 1 1 -1 -1 1 1 -1 -1 1 -1 -1 -1 -1 -1 -1 -1 -1 1 1 -1 1 1
 OV(46) = 1 1 1 1 1 -1 -1 1 1 -1 -1 1 -1 1 -1 1 -1 -1 -1 -1 -1 1 -1 -1
 OV(47) = 1 -1 1 1 -1 1 -1 1 1 -1 -1 1 -1 1 -1 1 1 -1 -1 1 -1 -1 -1 1
 OV(48) = 1 -1 1 1 -1 1 -1 1 1 -1 -1 1 -1 1 1 1 1 1 -1 -1 -1 1
 OV(49) = 1 -1 1 1 -1 1 -1 1 1 -1 -1 1 -1 -1 -1 -1 -1 1 1 -1 1 1 -1 1
 OV(51) = -1
 OV(52) = -1 -1 -1 -1 1 -1 -1 -1 1 -1 -1 1 -1 -1 -1 -1 -1 -1 -1 -1 -1 -1
 OV(53) = -1 -1 -1 -1 -1 -1 -1 -1 -1 -1 -1 -1 1 -1 -1 -1 -1 -1 -1 -1 -1 -1
 OV(54) = 1 1 -1 -1 1 -1 1 1 1 1 1 1 -1 1 1 1 -1 -1 -1 -1 -1 -1 -1 -1
 OV(56) = 1 1 -1 -1 -1 1 1 1 -1 1 -1 1 -1 1 1 1 -1 -1 -1 -1 1 1 -1 1
 OV(57) = -1 -1 -1 -1 1 1 -1 -1 -1 -1 -1 -1 -1 -1 -1 -1 -1 -1 -1 1 1 -1 1
 OV(58) = 1 1 1 1 1 1 -1 1 1 1 -1 1 -1 1 1 1 -1 -1 -1 -1 1 1 -1 1
 OV(59) = -1 1 -1 -1 -1 -1 -1 1 -1 -1 -1 1 -1 1 -1 -1 -1 -1 -1 1 -1 -1
 OV(61) = 1 1 1 1 1 -1 -1 1 1 1 1 1 -1 1 1 1 -1 -1 -1 -1 -1 -1 -1 -1
 OV(62) = -1 1 -1 -1 1 -1 -1 1 1 -1 -1 1 -1 1 1 -1 -1 -1 -1 1 -1 -1 1
 OV(63) = -1 1 -1 1 -1 -1 -1 1 1 1 1 1 -1 1 -1 1 -1 -1 -1 -1 -1 -1 -1
 OV(64) = -1 1 -1 -1 -1 1 1 1 -1 -1 -1 1 -1 1 1 -1 -1 -1 -1 1 1 -1 1
 OV(66) = -1 -1 -1 -1 1 -1 -1 -1 1 -1 -1 1 -1 -1 -1 -1 -1 -1 -1 -1 -1 -1
 OV(67) = 1 1 -1 -1 1 1 1 1 -1 1 -1 -1 -1 1 1 1 -1 -1 -1 -1 1 1 -1 1
 OV(68) = 1 1 -1 1 -1 1 -1 1 1 1 -1 1 -1 1 -1 1 -1 -1 -1 -1 1 1 -1 1
 OV(69) = -1 1 -1 -1 1 -1 1 1 -1 1 1 1 1 1 1 -1 -1 -1 -1 -1 -1 -1 -1
 OV(71) = -1 -1 -1 -1 1 1 1 -1 -1 -1 -1 -1 -1 1 -1 1 -1 -1 -1 -1 1 1 -1 1
 OV(72) = -1 1 -1 -1 1 -1 -1 1 1 -1 -1 1 -1 -1 -1 -1 -1 -1 -1 -1 -1 -1
 OV(73) = -1 1 -1 -1 -1 -1 1 1 -1 1 1 1 1 1 1 -1 -1 -1 -1 -1 -1 -1 -1
 OV(74) = -1 1 -1 -1 -1 1 -1 1 -1 1 -1 1 -1 1 -1 -1 -1 -1 1 1 -1 1
 OV(76) = -1 1 -1 -1 1 -1 -1 -1 1 -1 1 -1 -1 -1 -1 -1 -1 -1 -1 -1 -1 -1
 OV(77) = -1 1 -1 -1 -1 -1 -1 -1 -1 -1 1 -1 -1 -1 -1 -1 -1 -1 -1 -1 -1 -1
 OV(78) = -1 1 -1 -1 1 -1 1 -1 -1 -1 1 1 -1 -1 -1 -1 -1 -1 -1 -1 -1 -1
 OV(79) = -1 1 -1 -1 1 -1 -1 1 1 -1 -1 1 -1 1 1 -1 -1 -1 -1 1 1 -1 1
 OV(81) = 1 1 -1 1 -1 -1 -1 1 1 1 -1 1 -1 1 -1 -1 -1 -1 -1 -1 -1 -1
 OV(82) = 1 1 1 1 -1 -1 -1 1 1 1 -1 1 1 1 -1 1 -1 -1 -1 -1 1 1 -1 -1
 OV(83) = 1 1 -1 -1 1 -1 -1 1 1 -1 -1 1 -1 1 -1 -1 -1 -1 -1 1 -1 -1 -1
 OV(84) = -1 1 -1 -1 -1 1 1 -1 -1 1 1 1 -1 1 1 1 -1 -1 -1 -1 1 1 -1 1
 OV(86) = -1 -1 -1 -1 1 1 -1 -1 1 -1 -1 -1 -1 1 -1 -1 -1 -1 -1 1 1 -1 1
 OV(87) = -1 -1 -1 -1 1 -1 -1 -1 -1 -1 1 -1 -1 -1 -1 -1 -1 -1 -1 -1 -1 -1
 OV(88) = -1 1 -1 -1 -1 -1 -1 1 1 1 1 1 -1 1 -1 1 -1 -1 -1 -1 -1 -1 -1
 OV(89) = 1 1 -1 -1 1 1 -1 1 1 1 -1 1 -1 1 1 -1 -1 -1 -1 1 1 -1 1
 OV(91) = 1 1 -1 -1 -1 1 1 1 1 1 -1 1 -1 1 1 1 -1 -1 -1 -1 1 1 -1 1
 OV(92) = -1 1 -1 -1 -1 1 -1 1 -1 -1 1 -1 1 -1 1 -1 -1 -1 -1 1 1 -1 1
 OV(93) = 1 1 -1 -1 1 -1 -1 1 1 1 -1 1 -1 1 -1 1 -1 -1 -1 1 -1 -1 -1
 OV(94) = 1 1 1 1 1 -1 -1 1 1 1 1 1 -1 1 1 1 -1 -1 -1 -1 1 -1 -1 1
 OV(96) = 1 1 -1 -1 -1 1 -1 1 1 1 -1 1 -1 1 -1 -1 -1 -1 -1 1 1 -1 1
 OV(97) = 1 1 -1 -1 -1 1 -1 1 1 1 -1 1 -1 1 -1 1 -1 -1 -1 -1 1 1 -1 1
 OV(98) = -1 1 -1 -1 -1 -1 -1 1 1 -1 -1 1 -1 1 -1 -1 -1 -1 -1 1 -1 -1 -1

OV(99) = 1 1 1 1 1 -1 -1 1 1 1 -1 1 -1 1 -1 -1 -1 -1 -1 1 -1
 OV(101) = -1 -1 -1 -1 1 1 1 -1 -1 -1 1 -1 -1 -1 1 1 -1 -1 -1 -1 1 -1
 OV(102) = 1 1 -1 -1 1 -1 1 -1 -1 1 1 1 -1 -1 -1 -1 1 1 -1 1
 OV(103) = -1 1 -1 -1 1 -1 1 -1 -1 -1 1 -1 -1 -1 -1 -1 -1 -1 -1 -1 -1
 OV(104) = -1 1 -1 -1 -1 1 1 -1 -1 1 -1 -1 -1 1 1 1 -1 -1 -1 -1 1 -1
 OV(106) = -1 1 -1 -1 -1 -1 1 -1 -1 -1 1 -1 -1 -1 1 -1 -1 -1 -1 -1 -1
 OV(107) = 1 1 -1 -1 1 1 1 1 -1 1 1 1 1 -1 1 1 1 -1 -1 -1 -1 1 1 1
 OV(108) = -1 1 -1 -1 -1 1 1 -1 -1 -1 -1 1 -1 1 1 1 -1 -1 -1 -1 1 -1 -1
 OV(109) = -1 1 -1 -1 -1 -1 1 -1 -1 1 1 1 -1 1 1 1 -1 -1 -1 -1 1 1 -1
 OV(111) = -1 -1 -1 -1 1 -1 1 -1 -1 -1 -1 -1 -1 -1 -1 -1 -1 -1 -1 -1 -1
 OV(112) = -1 1 -1 -1 1 -1 1 -1 -1 -1 1 1 -1 1 1 1 -1 -1 -1 -1 1 -1 -1
 OV(113) = -1 1 -1 -1 1 -1 1 -1 -1 -1 1 -1 -1 -1 -1 -1 -1 -1 -1 -1 -1
 OV(114) = 1 1 -1 -1 1 -1 1 -1 -1 1 1 1 1 1 1 1 -1 -1 -1 -1 1 1 1
 OV(116) = -1 -1 -1 -1 1 -1 1 -1 -1 -1 1 -1 1 -1 -1 -1 -1 -1 -1 1 1 -1
 OV(117) = -1 1 -1 -1 -1 1 1 -1 -1 -1 -1 -1 -1 1 1 1 -1 -1 -1 -1 1 1 1
 OV(118) = -1 -1 -1 -1 -1 1 1 -1 -1 -1 -1 -1 -1 -1 -1 -1 -1 -1 -1 -1 1 1
 OV(119) = -1 1 -1 -1 -1 1 1 -1 -1 -1 1 1 1 -1 1 1 -1 -1 -1 -1 -1 -1
 OV(121) = -1 -1 -1 -1 1 -1 1 -1 -1 -1 1 -1 -1 -1 -1 -1 -1 -1 -1 -1 -1
 OV(122) = 1 1 -1 -1 1 -1 1 -1 -1 1 1 1 1 1 1 -1 -1 -1 -1 1 1 1
 OV(123) = -1 1 -1 -1 -1 1 1 -1 -1 -1 1 1 -1 1 1 -1 -1 -1 -1 1 1 -1
 OV(124) = -1 1 -1 -1 1 -1 1 -1 -1 -1 1 1 1 -1 -1 1 -1 -1 -1 -1 -1 -1
 OV(126) = -1 -1 -1 -1 -1 1 1 -1 -1 -1 -1 -1 1 -1 -1 -1 -1 -1 -1 -1 -1
 OV(127) = -1 1 -1 -1 1 -1 1 -1 -1 -1 1 1 -1 -1 -1 1 -1 -1 -1 -1 -1
 OV(128) = -1 1 -1 -1 1 -1 1 -1 -1 -1 -1 -1 1 -1 1 -1 -1 -1 -1 1 1 -1
 OV(129) = -1 1 -1 -1 1 -1 1 -1 -1 -1 1 1 1 1 1 -1 -1 -1 -1 1 1 -1
 OV(131) = -1 1 -1 -1 -1 1 -1 -1 -1 1 1 -1 -1 -1 -1 -1 -1 -1 -1 -1 -1
 OV(132) = -1 -1 -1 -1 -1 1 1 -1 -1 -1 -1 -1 -1 -1 -1 -1 -1 -1 -1 -1 -1
 OV(133) = -1 1 -1 -1 1 -1 1 -1 -1 -1 1 1 -1 1 1 -1 1 1 -1 -1 -1 -1
 OV(134) = -1 1 -1 -1 -1 1 1 -1 -1 1 -1 1 1 1 1 -1 -1 -1 -1 1 1 -1
 OV(136) = -1 1 -1 -1 1 -1 1 -1 -1 -1 1 -1 1 -1 -1 -1 -1 -1 -1 -1 -1
 OV(137) = -1 -1 -1 -1 1 -1 1 -1 -1 -1 1 -1 -1 -1 1 1 -1 -1 -1 1 1 -1
 OV(138) = -1 -1 -1 -1 -1 1 1 -1 -1 -1 -1 -1 1 1 1 -1 -1 -1 -1 1 1 -1
 OV(139) = -1 1 -1 -1 1 -1 1 -1 -1 -1 -1 -1 1 1 1 -1 -1 -1 -1 1 1 -1
 OV(141) = -1 -1 -1 -1 1 -1 1 -1 -1 -1 1 -1 1 -1 -1 -1 -1 -1 -1 -1 -1
 OV(142) = -1 -1 -1 -1 1 -1 1 -1 -1 -1 1 -1 1 -1 -1 -1 -1 -1 -1 -1 -1
 OV(143) = -1 -1 -1 -1 1 -1 1 -1 -1 -1 1 -1 -1 -1 1 -1 -1 -1 -1 1 1 -1
 OV(144) = -1 -1 -1 -1 1 -1 1 -1 -1 -1 1 -1 1 -1 -1 -1 -1 -1 -1 1 1 -1
 OV(146) = -1 1 -1 -1 1 -1 1 -1 -1 -1 1 1 -1 1 1 -1 -1 -1 -1 -1 -1 -1
 OV(147) = -1 1 -1 -1 1 -1 1 -1 -1 -1 1 -1 -1 -1 1 1 -1 -1 -1 -1 -1 -1
 OV(148) = -1 -1 -1 -1 1 -1 1 -1 -1 -1 1 -1 -1 -1 1 1 -1 -1 -1 -1 1 1
 OV(149) = -1 1 -1 -1 1 1 1 -1 -1 1 -1 -1 -1 1 1 1 -1 -1 -1 -1 1 1 -1

(ii) Test Points 29 in number:

Coordinates of Test points:

PointNo x_1, x_2, x_3, x_4

5 5.0 3.6 1.4 0.2

10 4.9 3.1 1.5 0.1

15 5.8 4.0 1.2 0.2

20 5.1 3.8 1.5 0.3

25 4.8 3.4 1.9 0.2

30 4.7 3.2 1.6 0.2

35 4.9 3.1 1.5 0.2

40 5.1 3.4 1.5 0.2
 45 5.1 3.8 1.9 0.4
 50 5.0 3.3 1.4 0.2
 55 6.5 2.8 4.6 1.5
 60 5.2 2.7 3.9 1.4
 65 5.6 2.9 3.6 1.3
 70 5.6 2.5 3.9 1.1
 75 6.4 2.9 4.3 1.3
 80 5.7 2.6 3.5 1.0
 85 5.4 3.0 4.5 1.5
 90 5.5 2.5 4.0 1.3
 95 5.6 2.7 4.2 1.3
 100 5.7 2.8 4.1 1.3
 105 6.5 3.0 5.8 2.2
 110 7.2 3.6 6.1 2.5
 115 5.8 2.8 5.1 2.4
 120 6.0 2.2 5.0 1.5
 125 6.7 3.3 5.7 2.1
 130 7.2 3.0 5.8 1.6
 135 6.1 2.6 5.6 1.4
 140 6.9 3.1 5.4 2.1
 145 6.7 3.0 5.2 2.3

OVs of Test Points w.r.t. the 24 planes :

OV(5) = 1 -1 1 1 -1 1 -1 1 1 1 -1 -1 1 -1 1 -1 1 1 1 1 1 -1 -1 1
 OV(10) = 1 -1 1 1 -1 1 -1 1 1 1 -1 -1 1 -1 1 -1 1 1 1 1 -1 1 -1 -1 1
 OV(15) = 1 -1 1 1 1 -1 -1 1 1 1 -1 1 1 -1 -1 -1 -1 1 1 1 1 1 -1 -1 -1
 OV(20) = 1 -1 1 1 1 1 -1 1 1 1 -1 -1 1 -1 1 -1 -1 -1 1 1 1 1 -1 -1 1
 OV(25) = 1 -1 1 1 -1 1 -1 1 1 1 -1 -1 1 -1 1 -1 -1 -1 -1 1 -1 -1 1
 OV(30) = 1 -1 1 1 -1 1 -1 1 1 1 -1 -1 1 -1 1 -1 1 -1 1 1 -1 1 -1 -1 1
 OV(35) = 1 -1 1 1 -1 1 -1 1 1 1 -1 -1 1 -1 1 -1 1 -1 1 1 -1 1 -1 -1 1
 OV(40) = 1 -1 1 1 -1 1 -1 1 1 1 -1 -1 1 -1 1 -1 -1 -1 1 1 -1 1 -1 -1 1
 OV(45) = 1 -1 1 1 -1 1 -1 1 1 1 -1 -1 1 -1 1 -1 -1 -1 -1 -1 -1 1 -1 -1 1
 OV(50) = 1 -1 1 1 -1 1 -1 1 1 1 -1 -1 1 -1 1 -1 -1 -1 1 1 -1 1 -1 -1 -1
 OV(55) = -1 1 -1 -1 1 -1 -1 -1 -1 -1 -1 1 -1 -1 -1 -1 -1 -1 -1 -1 -1 -1 -1 -1
 OV(60) = 1 1 -1 -1 1 1 -1 1 1 1 1 -1 1 -1 1 1 1 -1 -1 -1 -1 1 1 -1 1
 OV(65) = 1 1 1 -1 1 -1 -1 1 1 1 -1 1 1 -1 1 -1 -1 -1 -1 -1 -1 -1 -1 -1
 OV(70) = 1 1 -1 1 -1 -1 -1 1 1 1 -1 1 -1 1 -1 1 -1 -1 -1 -1 -1 -1 -1 -1
 OV(75) = -1 1 -1 -1 -1 -1 -1 1 1 1 -1 1 1 -1 -1 1 -1 -1 -1 -1 -1 -1 -1 -1
 OV(80) = 1 1 1 1 1 -1 -1 1 1 1 -1 1 1 -1 1 -1 1 -1 -1 -1 -1 -1 -1 -1 -1
 OV(85) = 1 1 -1 -1 1 1 1 1 -1 1 -1 -1 -1 1 1 1 -1 -1 -1 -1 1 1 -1 1
 OV(90) = 1 1 -1 -1 1 -1 -1 1 1 1 1 1 -1 1 1 1 -1 -1 -1 -1 1 1 -1 1
 OV(95) = 1 1 -1 -1 1 1 -1 1 1 1 1 -1 1 1 1 1 -1 -1 -1 -1 1 1 -1 1
 OV(100) = 1 1 -1 -1 1 1 -1 1 1 1 -1 1 1 -1 1 -1 -1 -1 -1 -1 1 -1 -1 1
 OV(105) = -1 1 -1 -1 1 -1 1 -1 -1 -1 1 1 1 1 -1 -1 -1 -1 1 1 -1 1 -1 1
 OV(110) = -1 -1 -1 -1 1 1 -1 1 -1 -1 -1 -1 -1 -1 -1 -1 -1 -1 -1 -1 -1 -1 -1
 OV(115) = 1 1 -1 -1 1 -1 1 -1 -1 -1 1 -1 1 1 -1 1 1 -1 -1 -1 -1 1 1 1
 OV(120) = -1 1 -1 -1 -1 -1 1 1 -1 1 1 1 1 1 1 1 -1 -1 -1 -1 1 1 -1 -1
 OV(125) = -1 -1 -1 -1 1 -1 1 -1 -1 -1 -1 -1 -1 -1 -1 -1 -1 -1 -1 -1 1 1 -1 1
 OV(130) = -1 1 -1 -1 -1 1 1 -1 -1 -1 -1 1 -1 1 -1 1 -1 -1 -1 -1 -1 1 -1 -1
 OV(135) = -1 1 -1 -1 -1 1 1 1 -1 1 -1 1 -1 1 1 1 -1 -1 -1 -1 1 1 -1 1
 OV(140) = -1 -1 -1 -1 1 -1 1 -1 -1 -1 1 -1 -1 -1 -1 -1 -1 -1 -1 -1 -1 -1 -1

$$\underline{OV(145) = -1\ 1\ -1\ -1\ 1\ -1\ 1\ -1\ -1\ -1\ 1\ -1\ 1\ -1\ -1\ -1\ -1\ -1\ -1\ -1\ 1\ -1}$$