

Essentiality of Entanglement in a Quantum Algorithm

Ashutosh K. Goswami^{1,*} and Prasanta K. Panigrahi^{1,†}

¹Indian Institute of Science Education and Research Kolkata, Mohanpur 741 246, West Bengal, India
(Dated: July 30, 2022)

Quantum algorithms utilize quantum parallelism or quantum coherence to solve certain problems more efficiently than the classical algorithms. Whether quantum entanglement is useful or not for quantum computation is a question of debate. Here, we present a new quantum algorithm, where entanglement is required to gain advantage over classical algorithms.

PACS numbers:

Introduction

The legendary physicist, R. P. Feynman noted that simulating n qubits on a classical computer needs exponential resources, as it requires storing and processing of 2^n complex amplitudes [1]. However, a computer based on the laws of quantum physics can naturally simulate n qubits. The identification of a quantum computer led to the question: can quantum algorithms outperform classical algorithms in terms of space and time needed to complete a computational task. Deutsch discovered the first quantum algorithm for a black box problem, which provides advantage over classical algorithms [2]. Deutsch algorithm solves this black box problem in one query, while the best classical algorithm requires two queries. Later, Deutsch-Jozsa [3] generalized this to get exponential speed-up over deterministic classical algorithms. Other quantum algorithms [4–9] have been found, building on the work of Deutsch-Jozsa. All these algorithms employ quantum parallelism that provides them lead over their classical counterparts. Entanglement, a specific type of quantum parallelism, is a quantum property of multiparticle systems, where multipartite quantum state can not be written as a tensor product of individual quantum states. Bell states are well-known example of entangled states [10, 13, 20]. Entanglement has been used as a quantum resource in several cryptographic [11] and communication tasks [12, 13]. However, its role in getting quantum speed-up has not been established yet. It has been shown that several quantum algorithms such as Bernstein-Vazirani [4, 14] and Grover search [8, 15] do not require entanglement for their implementation. Biham et al [16] have shown that certain advantages of quantum algorithms remain even in the absence of entanglement, while many [17–19] have argued that entanglement is necessary for some algorithms. Here, we provide a quantum algorithm extending the Deutsch problem for two black boxes f and g , which rely on entanglement for quantum speed-up in a essential manner. We show

that given black boxes of the two functions f and g , with a promise that either both are constant or both are balanced, one can solve following two problems in one use of each function exploiting entanglement: First, they are constant or balanced and second, they are same or different. We then point out that a classical algorithm or a quantum algorithm without entanglement needs at least two queries to one of the functions.

Deutsch Algorithm: A brief review

The problem that Deutsch algorithm solves can be expressed as follows: Given a black box executing certain unknown function $f : \{0, 1\} \rightarrow \{0, 1\}$, one wishes to know whether the function is constant or balanced. Here, constant means, $f(0) = f(1)$ and balanced means, $f(0) \neq f(1)$. Classically, one needs two queries to the function f to solve this problem, while Deutsch algorithm can do this in a single query. The algorithm can be summarized

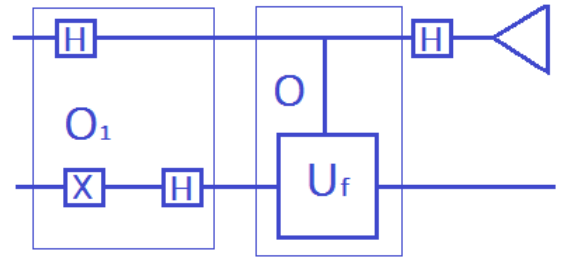


FIG. 1: Circuit for Deutsch Algorithm

as follows:

- Initial state of the composite system is, $|0\rangle_{a_1} |0\rangle_{a_2}$
- Quantum state of the composite system after performing O_1 is,

$$\frac{|0\rangle_{a_1} + |1\rangle_{a_1}}{\sqrt{2}} \otimes \frac{|0\rangle_{a_2} - |1\rangle_{a_2}}{\sqrt{2}}$$

- After calling the function f , the composite quantum system is in the following state,

$$\frac{|0\rangle_{a_1} + (-1)^{f(0) \oplus f(1)} |1\rangle_{a_1}}{\sqrt{2}} \otimes \frac{|0\rangle_{a_2} - |1\rangle_{a_2}}{\sqrt{2}}$$

*ashutoshgoswami841@gmail.com

†pprasanta@iiserkol.ac.in

- Applying Hadamard transformation and subsequently, a projective measurement in computational basis on qubit a_1 , one decides whether the function is constant or balanced. We leave qubit a_2 as it is for further use. Evidently, Deutsch's algorithm has solved this problem in only one query.

As entanglement is not generated in any of the above three steps, it is not the cause of quantum speed-up.

Entanglement based quantum speed-up

Let us assume, Alice has black boxes of the two unknown functions $f : \{0, 1\} \rightarrow \{0, 1\}$ and $g : \{0, 1\} \rightarrow \{0, 1\}$. She has been assured that both functions f and g are either constant or balanced (one constant, another balanced is not allowed); $f(0) \oplus f(1) = g(0) \oplus g(1)$. A function $f : \{0, 1\} \rightarrow \{0, 1\}$ can be constant or balanced in two ways as shown in the following table:

	f(0)	f(1)
Constant	1	1
	0	0
Balanced	1	0
	0	1

Alice wants to compute following two quantities with minimum possible queries to the functions f and g ,

- $f(0) \oplus f(1)$ or $g(0) \oplus g(1)$; functions f and g are constant or balanced.
- $f(0) \oplus g(0)$ or $f(1) \oplus g(1)$; functions f and g are same or different.

It is clear that classically, we need two queries to the function f ; $f(0)$ and $f(1)$ and one query to the function g ; $g(0)$ or two queries to the function g ; $g(0)$ and $g(1)$ and one query to the function f ; $f(0)$ to compute these two quantities. Here, we propose a quantum algorithm exploiting quantum entanglement, which requires only one query to the each function f and g . Thus, the proposed algorithm saves one query compared to the classical one. Subsequently, we point out that this quantum advantage is not possible without entanglement.

Following is the step by step presentation of the proposed algorithm:

- We start with one qubit A (black wire in Fig.2) and two ancilla qubits a_1 , a_2 (blue wires in

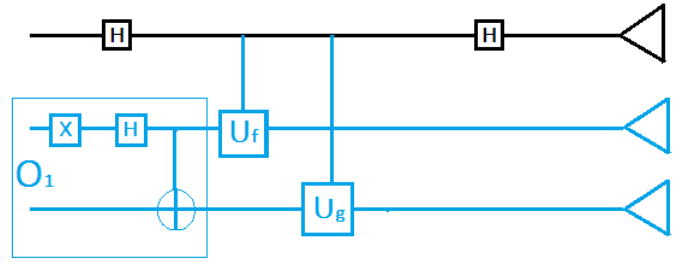


FIG. 2: Circuit for the algorithm

Fig.2). Initial state of three particle system is, $|0\rangle_A |0\rangle_{a_1} |0\rangle_{a_2}$.

- Quantum state of the composite system after applying Hadamard on qubit A and operation O_1 on ancilla qubits a_1 and a_2 as shown in Fig.2,

$$\frac{|0\rangle_A + |1\rangle_A}{\sqrt{2}} \otimes \frac{|0\rangle_{a_1} |0\rangle_{a_2} - |1\rangle_{a_1} |1\rangle_{a_2}}{\sqrt{2}}$$

- Quantum state of the composite system after calling functions f and g (ignoring normalization coefficients) is given by,

$$\begin{aligned} & |0\rangle_A (|0 \oplus f(0)\rangle_{a_1} |0 \oplus g(0)\rangle_{a_2} - |1 \oplus f(0)\rangle_{a_1} |1 \oplus g(0)\rangle_{a_2}) \\ & + |1\rangle_A (|0 \oplus f(1)\rangle_{a_1} |0 \oplus g(1)\rangle_{a_2} - |1 \oplus f(1)\rangle_{a_1} |1 \oplus g(1)\rangle_{a_2}) \end{aligned}$$

Case -1: If $f(0) \oplus g(0) = f(1) \oplus g(1) = 0$; $f(0) = g(0)$ and $f(1) = g(1)$, the above equation reads,

$$\begin{aligned} & |0\rangle_A (-1)^{f(0)} (|0\rangle_{a_1} |0\rangle_{a_2} - |1\rangle_{a_1} |1\rangle_{a_2}) \\ & + |1\rangle_A (-1)^{f(1)} (|0\rangle_{a_1} |0\rangle_{a_2} - |1\rangle_{a_1} |1\rangle_{a_2}) \end{aligned}$$

which is equivalent to,

$$(|0\rangle_A + (-1)^{f(0) \oplus f(1)} |1\rangle_A) (|0\rangle_{a_1} |0\rangle_{a_2} - |1\rangle_{a_1} |1\rangle_{a_2})$$

Case -2: For $f(0) \oplus g(0) = f(1) \oplus g(1) = 1$; $f(0) \neq g(0)$ and $f(1) \neq g(1)$, it reads,

$$\begin{aligned} & |0\rangle_A (-1)^{f(0)} (|0\rangle_{a_1} |1\rangle_{a_2} - |1\rangle_{a_1} |0\rangle_{a_2}) \\ & + |1\rangle_A (-1)^{f(1)} (|0\rangle_{a_1} |1\rangle_{a_2} - |1\rangle_{a_1} |0\rangle_{a_2}), \end{aligned}$$

which is equivalent to,

$$(|0\rangle_A + (-1)^{f(0) \oplus f(1)} |1\rangle_A) (|0\rangle_{a_1} |1\rangle_{a_2} - |1\rangle_{a_1} |0\rangle_{a_2})$$

- Applying Hadamard gate and then, performing a projective measurement in computational basis on qubit A determines if the functions are constant or balanced, while measurement in computational basis on ancilla qubits determines, whether they are same or different as depicted in the following table:

measurement Outcome (first qubit A)	$f(0) \oplus f(1)$
$ 0\rangle_A$	0
$ 1\rangle_A$	1
measurement Outcome (ancilla qubits)	$f(0) \oplus g(0)$
$ 0\rangle_{a_1} 0\rangle_{a_1}$	0
$ 1\rangle_{a_1} 1\rangle_{a_1}$	
$ 0\rangle_{a_1} 1\rangle_{a_1}$	1
$ 1\rangle_{a_1} 0\rangle_{a_1}$	

Algorithm without entanglement

One may calculate $f(0) \oplus f(1)$ by Deutsch algorithm [2] using only one query to the function f as shown in Fig. 3. However, calculating $f(0) \oplus f(1)$ in one query does not help here, since we need one more query to function f and one query to the function g in order to calculate $f(0) \oplus g(0)$.

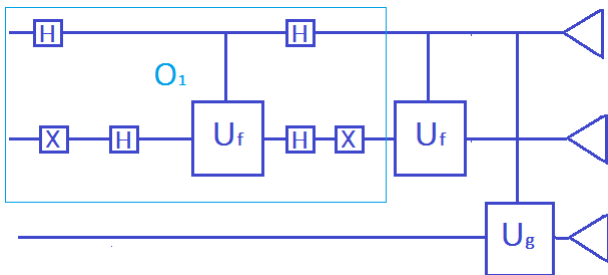


FIG. 3: Computing $f(0) \oplus f(1)$ (circuit O_1) does not leave any trace of function f on ancilla a_1 (middle line) as it needs ancilla a_1 to be in eigenstate of U_f , requiring another query to the function f .

One may wonder that Deutsch algorithm with two non-entangled ancilla bits can provide advantage over classical algorithm, which has been demonstrated in Fig. 5. However, this circuit computes $f(0) \oplus f(1) \oplus g(0) \oplus g(1)$, which does not have any information about $f(0) \oplus f(1)$ or $f(0) \oplus g(0)$. Since $f(0) \oplus f(1) \oplus g(0) \oplus g(1) = 0$, if and only if $f(0) \oplus f(1) = g(0) \oplus g(1)$, this circuit can be used

in verifying the premise; $f(0) \oplus f(1) = g(0) \oplus g(1)$ and uses only one query to each of the functions f and g . A classical computer would need four queries to check the premise.

The result can be summarized as follows: when restricted to only one query to each of the functions f and g , it is

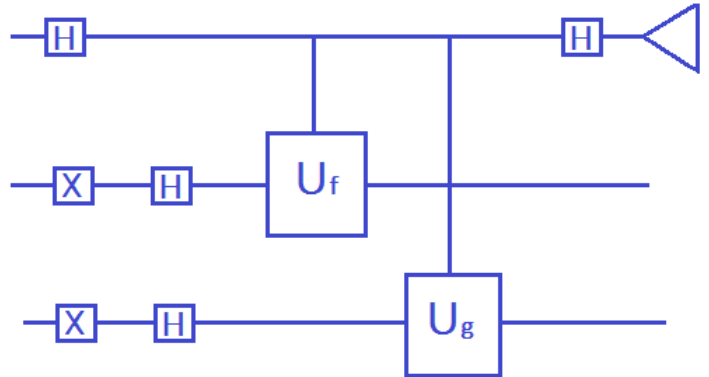


FIG. 4: Circuit without entangled ancilla qubits

not possible to calculate logical quantities $f(0) \oplus f(1)$ and $f(0) \oplus g(0)$ together, using a classical computer or using a quantum computer without entanglement.

Conclusion

A new quantum algorithm has been proposed to illustrate the essential use of quantum entanglement in getting quantum speed-up. It has been shown that when restricted to overall two queries to the functions f and g , a classical computer or a quantum computer without entanglement can not compute logical functions, $f(0) \oplus f(1)$ or $f(0) \oplus g(0)$ together. While a quantum computer having entanglement as a resource can compute these quantities deterministically, with one query to each of the functions. The problem that we demonstrated here, succinctly illustrates the way entanglement can be used for quantum algorithms in a simple way. It may be used as a prototype in future to develop useful quantum algorithms as Deutsch problem has been exploited in developing several computationally important quantum algorithms [7, 8].

Acknowledgement

We are thankful to Dintomon Joy for useful discussions.

[1] R. P. Feynman, Simulating physics with computers, International journal of theoretical physics, 21, 467

(1982).

[2] D. Deutsch, Quantum theory, the Church-Turing

- principle and the universal quantum computer, Proceedings of the Royal Society of London A: Mathematical, Physical and Engineering Sciences, Vol. 400, pp. 97-117, The Royal Society, 1985.
- [3] D. Deutsch and R. Jozsa, Rapid solution of problems by quantum computation. Proceedings of the Royal Society of London A: Mathematical, Physical and Engineering Sciences, Vol. 439, pp. 553-558, The Royal Society, 1992.
- [4] E. Bernstein and U. Vazirani, Proceedings of the 25th Annual ACM Symposium on the Theory of Computing, ACM, New York, p. 11 (1993).
- [5] D. R. Simon, In Proceedings of the 35th Symposium on Foundations of Computer Science, Santa Fe, edited by S. Goldwasser, IEEE, Los Alamitos, CA, p. 116 (1994).
- [6] B. M. Terhal and J. A. Smolin, Superfast quantum algorithms for coin weighing and binary search problems, Phys. Rev. A 58, 1822 (1998).
- [7] P. W. Shor, Algorithms for quantum computation: Discrete logarithms and factoring, Foundations of Computer Science, 1994 Proceedings, 35th Annual Symposium on. IEEE, 1994.
- [8] L. K. Grover, A fast quantum mechanical algorithm for database search, Proceedings of the twenty-eighth annual ACM symposium on Theory of computing, ACM, 1996.
- [9] P. Kaye, R. Laflamme, and M. Mosca, An introduction to quantum computing, Oxford University Press (2007).
- [10] P. K. Panigrahi, M. Gupta, A. Pathak and R. Srikanth, AIP 864, 197 (2006)
- [11] A. K. Ekert, Quantum cryptography based on Bell's theorem, Phys. Rev. Lett. 67, 661 (1991).
- [12] C. H. Bennett, G. Brassard, C. Crépeau, R. Jozsa, A. Peres, W. K. Wootters, Teleporting an unknown quantum state via dual classical and Einstein-Podolsky-Rosen channels, Phys. rev. lett. 70, 1895 (1993).
- [13] C. H. Bennett, S. J. Wiesner, Communication via one and two particle operators on Einstein-Podolsky-Rosen states, Phys. Rev. Lett. 69, 2881 (1992).
- [14] D. A. Meyer, Sophisticated quantum search without entanglement, Phys. Rev. Lett. 85, 2014 (2000).
- [15] S. Lloyd, Quantum search without entanglement, Phys. Rev. A 61, 010301 (1999).
- [16] E. Biham, G. Brassard, D. Kenigsberg, T. Mor, Quantum computing without entanglement, Theoretical Computer Science 320, 15 (2004).
- [17] D. Kenigsberg, T. Mor, G. Ratsaby, Quantum advantage without entanglement, Quantum Information Computation 6, 606 (2006).
- [18] R. Jozsa, Entanglement and quantum computation, quant-ph/9707034 (1997).
- [19] S. Ding, and Z. Jin, Review on the study of entanglement in quantum computation speed-up. Chinese Science Bulletin 52, 2161 (2007).
- [20] J. S. Bell, On the Einstein-Podolsky-Rosen paradox, Physics 1 (1964).