

Circularly squarefree words and unbordered conjugates: a new approach

Trevor Clokie, Daniel Gabric, and Jeffrey Shallit
 School of Computer Science
 University of Waterloo
 Waterloo, Ontario N2L 3G1
 Canada

trevor.clokie@uwaterloo.ca
dgabric@uwaterloo.ca
shallit@uwaterloo.ca

April 18, 2019

Abstract

Using a new approach based on automatic sequences, logic, and a decision procedure, we reprove some old theorems about circularly squarefree words and unbordered conjugates in a new and simpler way. Furthermore, we prove three new results about unbordered conjugates: we complete the classification, due to Harju and Nowotka, of binary words with the maximum number of unbordered conjugates; we prove that for every possible number, up to the maximum, there exists a word having that number of unbordered conjugates, and finally, we determine the expected number of unbordered conjugates in a random word.

1 Introduction

Throughout this paper, Σ_k denotes the alphabet $\{0, 1, \dots, k-1\}$.

Two words are said to be *conjugate* if one is a cyclic shift of the other, as in the English words `enlist` and `listen`.

A word w has a *border* x if $x \notin \{\epsilon, w\}$ and x is both a prefix and suffix of w ; the two occurrences of x are allowed to overlap each other. For example, `alfa` is a border of `alfalfa`. A word w is said to be *bordered* if it has a border, and otherwise, it is *unbordered*. It follows immediately from the Lyndon-Schützenberger theorem [8] that a word w is bordered iff it has a border of length $\leq |w|/2$; then the two shorter borders cannot overlap each other. For example, `alfalfa` is also bordered by `a`.

A word w is said to be a *square* if $w = xx$ for some nonempty word x . An example in French is the word *couscous*. A word is *squarefree* if no nonempty factor is a square. Let μ be the *Thue-Morse morphism*, defined by $\mu(0) = 01$ and $\mu(1) = 10$. The Thue-Morse word $\mathbf{t} = 01101001 \dots$ is the fixed point, starting with 0, of μ . Thue [12, 13, 3] proved that there exist infinite squarefree words over a three-letter alphabet; also see [1]. A famous example of such a word can be obtained from the Thue-Morse word as follows: count the number of 1's between two consecutive 0's in \mathbf{t} . This gives the so-called *ternary Thue-Morse word*

$$\mathbf{c} = 210201 \dots ,$$

and is squarefree. An alternative description of \mathbf{c} is as follows: it is the image, under τ of the fixed point of the morphism φ defined below:

$$\begin{array}{ll} \varphi(0) = 01 & \tau(0) = 2 \\ \varphi(1) = 20 & \tau(1) = 1 \\ \varphi(2) = 23 & \tau(2) = 0 \\ \varphi(3) = 02 & \tau(3) = 1 \end{array}$$

A word w is *circularly squarefree* if every one of its conjugates is squarefree. For example, *outshout* is squarefree, but not circularly squarefree. Clearly we have

Proposition 1. *A word is circularly squarefree iff all its conjugates are unbordered.*

We now turn to a description of what we do in this paper. Using a complicated case-based argument, Currie [5] proved that there exist circularly squarefree ternary words of every length n , except for $\{5, 7, 9, 10, 14, 17\}$. The first of our main results is a new proof of Currie's theorem, based on the following result:

Theorem 2. *For all natural numbers $n > 3$, except 5, 7, 9, 10, 14, 17, 21, and 28, there exists a factor $x = x(n)$ of the ternary Thue-Morse word \mathbf{c} that is either*

- (a) *of length $n - 3$, and $x021$ is circularly squarefree;*
- (b) *of length $n - 4$, and $x2120$ is circularly squarefree.*

We now turn to unbordered conjugates. In two fundamental papers, Harju and Nowotka [6, 7] studied the unbordered conjugates of a word. In particular, letting $\text{nuc}(w)$ denote the number of unbordered conjugates of w , and $\text{mnuc}_k(n)$ denote the maximum number of unbordered conjugates of a length- n word over a k -letter alphabet, they proved that

- (a) for binary words w of length $n \geq 4$ we have $\text{nuc}(w) \leq n/2$;
- (b) for $n > 2$ even, there exists a binary word of length n having $n/2$ unbordered conjugates iff $n = 2^k$ or $n = 3 \cdot 2^k$ for some $k \geq 1$.

In other words, they explicitly computed $\text{mnuc}_2(n)$ for all even n and bounded it above for odd n . We complete the understanding of $\text{mnuc}_2(n)$ by proving that $\text{mnuc}_2(n) = \lfloor n/2 \rfloor$ for all odd $n > 3$. Our strategy is to show that the maximum of $\text{nuc}(w)$, over all words of length n , is actually achieved by a factor of the Thue-Morse word.

More precisely, we prove

Theorem 3. *For all $n \geq 1$, there exists a length- n factor w of the Thue-Morse word \mathbf{t} with $\text{nuc}(w) = \text{mnuc}_2(n)$. Furthermore, such a factor is guaranteed to occur starting at a position $\leq n$ in \mathbf{t} .*

2 Circularly squarefree ternary words via Walnut

Since the ternary Thue-Morse word \mathbf{c} is squarefree, it is reasonable to hope its factors might be a good source of circularly squarefree words. Unfortunately, \mathbf{c} contains circularly squarefree words of length n for only about $1/8$ of all natural numbers n , as the following result shows.

Theorem 4. *There is a length- n factor of \mathbf{c} that is circularly squarefree iff $(n)_2$ is accepted by the automaton in Figure 1.*

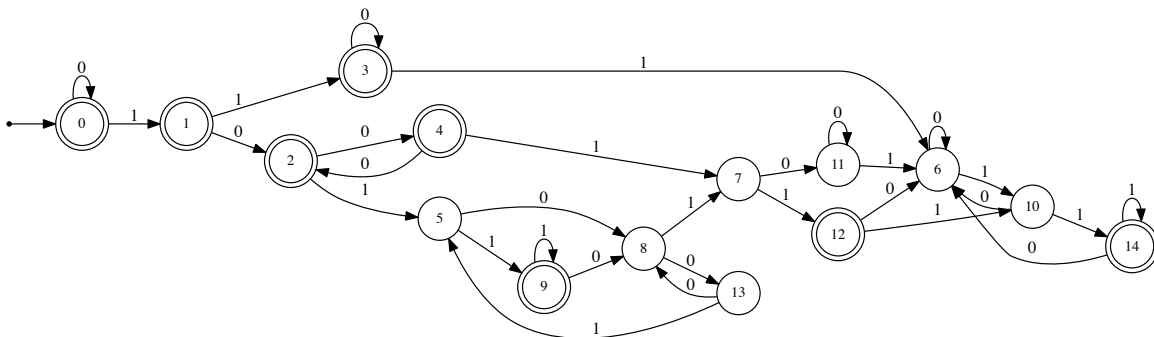


Figure 1: Automaton accepting lengths $(n)_2$ of circularly squarefree words occurring in \mathbf{c}

To prove this result, we make use of the fact that many first-order statements concerning claims about k -automatic sequences are decidable [4]. Furthermore, there is free software called `Walnut` available to decide these claims [9].

Let $(n)_k$ denote the canonical base- k representation of n , starting with the most significant digit, having no leading zeroes. A sequence $(a_n)_{n \geq 0}$ is k -automatic if there is a deterministic finite automaton with output (DFAO) taking $(n)_k$ as input, and reaching a state with a_n as output. For example, Figure 2 illustrates the DFAO generating the sequence \mathbf{c} . The notation q/a in a state means the name of the state is q and the output is a .

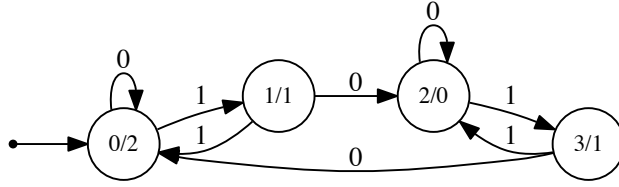


Figure 2: DFAO computing the sequence \mathbf{c}

For more about automatic sequences, see [2].

Proof. We can use the ideas in [11], adapted for our case. We create first-order logical predicates `crep`, `face2`, and `circsf` as follows:

- `crep`(i, m, p, n, s) evaluates to **true** iff in the length- n word (considered circularly) starting at position s of the word \mathbf{c} , there is a factor w of length m and (not necessarily least) period $p \geq 1$ starting at position i ;
- `face2`(n, s) evaluates to **true** iff in the length- n word (considered circularly) starting at position s of the word \mathbf{c} there is a square or higher power;
- `circsf`(n) evaluates to **true** iff some length- n factor (considered circularly) of the word \mathbf{c} has no squares.

$$\begin{aligned} \text{crep}(i, m, n, p, s) &:= \exists j ((j \geq i) \wedge (j + p < s + n) \wedge (j + p < i + m)) \implies C[j] = C[j + p] \wedge \\ &\quad (\forall j ((j \geq i) \wedge (j < s + n) \wedge (j + p \geq s + n) \wedge (j + p < i + m)) \implies C[j] = C[j + p - n]) \wedge \\ &\quad (\forall j ((j \geq i) \wedge (j \geq s + n) \wedge (j + p < i + m)) \implies C[j - n] = C[j + p - n]) \\ \text{face2}(n, s) &:= \exists i, m, p (p \geq 1) \wedge (m \leq n) \wedge (i \geq s) \wedge (i < s + n) \wedge (m \geq 2p) \wedge \text{crep}(i, m, n, p, s) \\ \text{circsf}(n) &:= \exists s \neg \text{face2}(n, s) \end{aligned}$$

When we evaluate these predicates in `Walnut`, we get the automaton depicted in Figure 1. It accepts those $(n)_2$ for which `circsf` evaluates to **true**. \square

Remark 5. All the `Walnut` code for the theorems in this paper is available at <https://cs.uwaterloo.ca/~shallit/papers.html> .

The reader can therefore verify our results.

Corollary 6. *The number of lengths ℓ , with $2^n \leq \ell < 2^{n+1}$ and $n \geq 4$, such that \mathbf{c} contains a circularly squarefree factor of length ℓ , is $2^{n-3} - F_{n-3} + 2$, where F_n is the n 'th Fibonacci number.*

Proof. By standard techniques, by determining the roots of the characteristic polynomial of the 15×15 matrix encoding transitions of the automaton in Fig. 1. \square

So while the factors of the ternary Thue-Morse word alone do not suffice for our purpose, it turns out that a small modification of them do. We now give the proof of our first main result, Theorem 2.

Proof. (of Theorem 2) Let $n \geq 4$ and $w \in \{x021, y2120\}$, where x, y are factors of the ternary Thue-Morse word \mathbf{c} of lengths $n - 3$ and $n - 4$, respectively.

First, we create a predicate $\text{sq021}(i, n, p, s)$ which evaluates to **true** if $w' := x021x02$ contains a square of order p with $p \geq 1$ and $2p \leq n$ beginning at index $i - s$, where $x = \mathbf{c}[s..s + n - 4]$. We do this by defining $w[j]$ for all j such that $i \leq j < i + p$ as follows:

$$w[j] = \begin{cases} \mathbf{c}[j], & \text{if } j < s + n - 3; \\ 0, & \text{if } j \in \{s + n - 3, s + 2n - 3\}; \\ 2, & \text{if } j \in \{s + n - 2, s + 2n - 2\}; \\ 1, & \text{if } j = s + n - 1; \\ \mathbf{c}[j - n], & \text{if } s + n \leq j < s + 2n - 3. \end{cases}$$

The goal is that sq021 should represent the implication

$$\forall j ((i \leq j) \wedge (j < i + p)) \implies w[j] = w[j + p].$$

It is formed by constructing the conjunction of the predicates

$$\forall j ((i \leq j) \wedge (j < i + p) \wedge (w[j] = \alpha) \wedge (w[j + p] = \beta)) \implies \alpha = \beta$$

for each possible combination j and $j + p$, and simplifying.

Next, we create a second predicate $\text{sqfree021}(n, s)$, which evaluates to **true** if there exists x where $w = x021$ is circularly squarefree, for the given values of n and s :

$$\begin{aligned} \text{sqfree021}(i, n, p, s) &:= (n > 3) \wedge (\forall i, p ((1 \leq p) \wedge (2p \leq n) \wedge (s \leq i) \wedge (i < s + n)) \\ &\implies \neg(\text{sq021}(i, n, p, s))). \end{aligned}$$

Similarly, we create the analogous predicates $\text{sq2120}(i, n, p, s)$ and $\text{sqfree2120}(n, s)$ for the word $w' := y2120y212$.

Finally, the predicates

$$\begin{aligned} \text{test021}(n) &:= \exists s \text{sqfree021}(n, s) \\ \text{test2120}(n) &:= \exists s \text{sqfree2120}(n, s) \end{aligned}$$

return **true** if there exists a length- n squarefree word formed by concatenating some factor of \mathbf{c} with 021 (respectively, 2120). The automaton for $\text{test021}(n)$ is depicted in Figure 3 and the automaton for $\text{test2120}(n)$ is depicted in Figure 4.

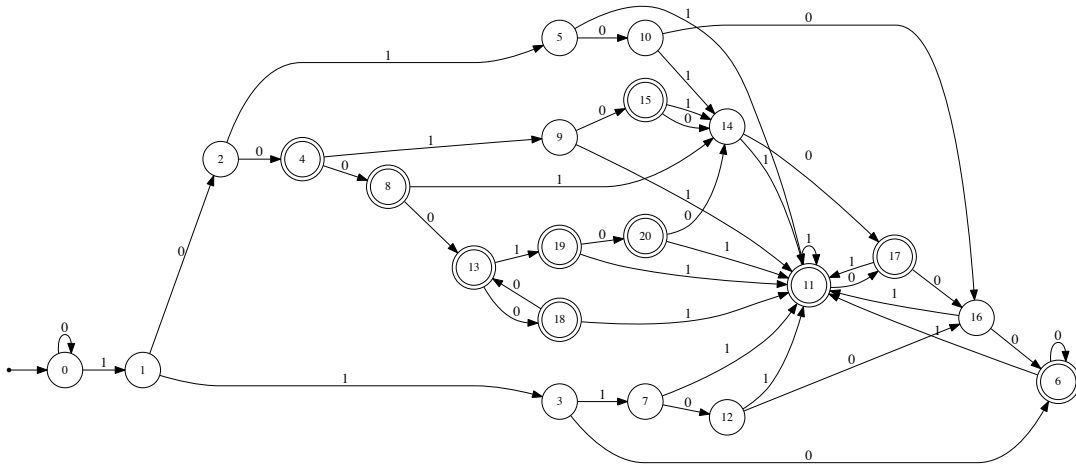


Figure 3: DFA computing $\exists s \text{ sqfree021}(n, s)$

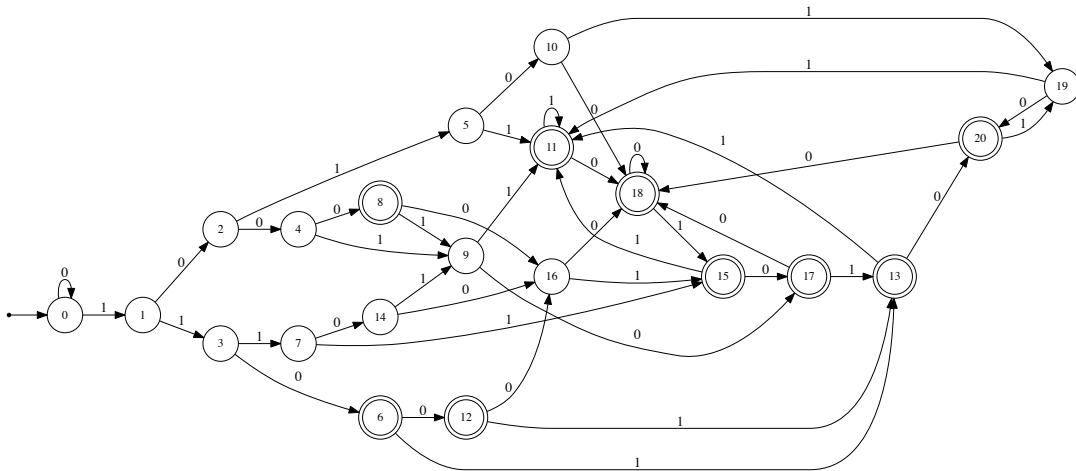


Figure 4: DFA computing $\exists s \text{ sqfree2120}(n, s)$

When we now evaluate the predicate

$$\text{currie}(n) := \text{test021}(n) \vee \text{test2120}(n)$$

with Walnut, we get the automaton depicted in Figure 5.

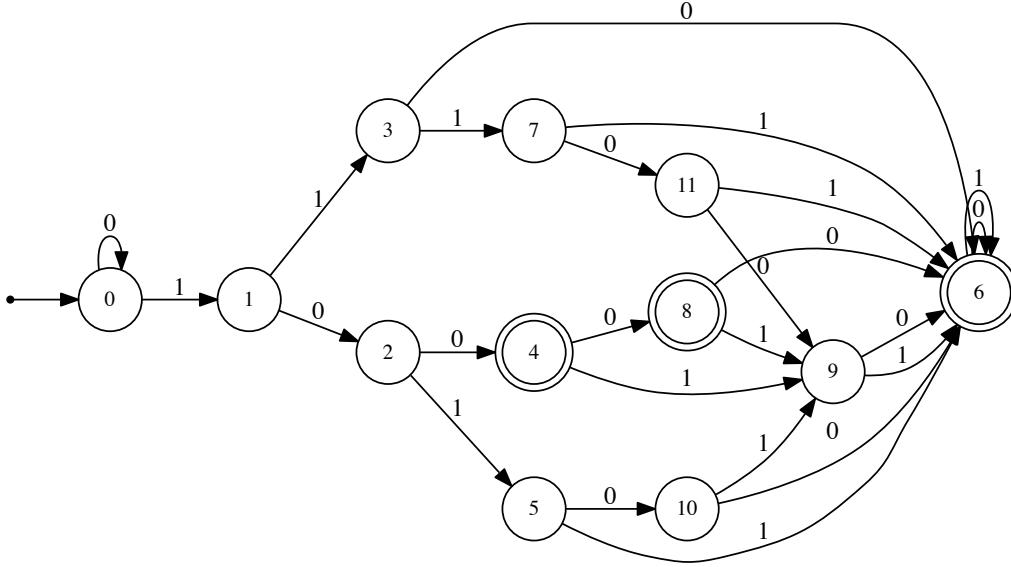


Figure 5: DFA computing acceptable n

By inspection we easily see that the automaton in Figure 5 accepts the base-2 representation of all n except $0, 1, 2, 3, 5, 7, 9, 10, 14, 17, 21, 28$. \square

As a consequence we now get Currie's theorem:

Corollary 7. *There exist circularly squarefree ternary words of every length n , except for $n \in \{5, 7, 9, 10, 14, 17\}$.*

Proof. Theorem 2 gives the result for all but finitely many n . It is easy to verify by a short computation that there are cyclically squarefree words of lengths $0, 1, 2, 3, 21, 28$, and none for lengths $5, 7, 9, 10, 14, 17$. \square

Remark 8. These calculations were done in Walnut on a Linux machine (2 CPU — Intel E5-2697 v3 Xeon, 256 GB of RAM). Computing the automaton for sq021 took 115.505 seconds, and the automaton for sq2120 took 124.908 seconds.

3 Unbordered conjugates

Let $\sigma : \Sigma_k^* \rightarrow \Sigma_k^*$ denote the *cyclic shift function*, where $\sigma(\epsilon) = \epsilon$, $\sigma(cw) = wc$ for $w \in \Sigma_k^*$ and $c \in \Sigma_k$. Let $\sigma^0(w) = w$ and $\sigma^i(w) = \sigma^{i-1}(\sigma(w))$ for $i \geq 1$.

Suppose w is a binary word of length n . Let $\beta : \Sigma_k^* \rightarrow \Sigma_k^*$ be the *border correlation function* of a word (introduced by Harju and Nowotka [6]), and defined as follows: $\beta(w) =$

$a_0 a_1 \cdots a_{n-1}$, where

$$a_i = \begin{cases} u, & \text{if } \sigma^i(w) \text{ is unbordered;} \\ b, & \text{if } \sigma^i(w) \text{ is bordered.} \end{cases}$$

For example, $\beta(0001) = ubbu$ since 0001 is unbordered, while 0010, and 0100 are both bordered, and 1000 is unbordered. Let $u, v \in \Sigma_k^*$. We say u is the i 'th cyclic shift of v if $\sigma^i(v) = u$.

A result from Harju and Nowotka [6] shows that a binary word has no two consecutive cyclic shifts that are unbordered. This result immediately tells us that a binary word of length n can have at most $\lfloor n/2 \rfloor$ unbordered conjugates. For a binary word w of even length to achieve this bound, every other cyclic shift must be unbordered, or, in other words either $\beta(w) = (ub)^{|w|/2}$ or $\beta(w) = (bu)^{|w|/2}$. Harju and Nowotka [6] showed that the only words of even length that achieve this bound are the circularly overlap-free words, which are of length $3 \cdot 2^i$ and 2^i for $i \geq 1$.

Let w be a binary word. Suppose w is of even length and is not circularly overlap-free. Clearly w cannot have $|w|/2$ unbordered conjugates, but it could potentially have $|w|/2 - 1$ unbordered conjugates. Then $\beta(w) = (ub)^i b (ub)^{|w|/2 - i - 1} b$ for some $i \geq 0$, up to conjugation. Now suppose w is of odd length. No circularly overlap-free words exist of odd length, so it makes sense to think that w could contain a maximum of $\lfloor |w|/2 \rfloor$ unbordered conjugates. Then $\beta(w) = (ub)^{\lfloor |w|/2 \rfloor} b$, up to conjugation.

Let w be a bordered binary word. Then $w = uvu$ for some words u and v . We say $w[1..|u|]$ is the *first border* of w , and $w[|w| - |u| + 1..|w|]$ is the *second border* of w .

Now we prove Theorem 3.

Proof. When $n = 1, 2, 3$ the maximum number of unbordered conjugates $\text{mnuc}_2(n)$ is achieved by the words 0, 01, and 011 respectively. Specifically we have that $\text{mnuc}_2(1) = 1$, $\text{mnuc}_2(2) = 2$, and $\text{mnuc}_2(3) = 2$. It is readily verified that each of these words occur as a factor of the Thue-Morse word at position $\leq n$.

Let w be a length- n word at position m of the Thue-Morse word. The first step is to create a first-order predicate $\text{isBorder}(l, m, n)$ that asserts that a cyclic shift of w has a border of a certain length. More specifically, we want to know whether the l 'th cyclic shift of w has a border of length k . There are three cases to consider.

1. When a prefix of the second border is a suffix of w and a suffix of the second border is a prefix of w . In other words, $w = yuvx$ for words u, v, x, y where $xy = u$, $|y| = l$, and $|u| = k$. This predicate is denoted by $\text{isBorderC1}(k, l, m, n)$.
2. When both borders are completely contained inside of w . In other words, $w = yuux$ for words y, u, x where $|yu| = l$, and $|u| = k$. This predicate is denoted by $\text{isBorderC2}(k, l, m, n)$.
3. When a prefix of the first border is a suffix of w and a suffix of the first border is a prefix of w . In other words, $w = yvux$ for words u, v, x, y where $xy = u$, $|yvu| = l$, and $|u| = k$. This predicate is denoted by $\text{isBorderC3}(k, l, m, n)$.

$$\begin{aligned}
\text{isBorderC1}(k, l, m, n) &:= ((k + l > n) \Rightarrow ((\forall i(i < n - l) \Rightarrow T[m + l + i] = T[m + l - k + i]) \\
&\quad \wedge (\forall i(i < k + l - n) \Rightarrow T[m + i] = T[m + n - k + i]))) \\
\text{isBorderC2}(k, l, m, n) &:= (((k + l \leq n) \wedge (l \geq k)) \Rightarrow (\forall i(i < k) \Rightarrow \\
&\quad T[m + l + i] = T[m + l - k + i])) \\
\text{isBorderC3}(k, l, m, n) &:= (((k + l \leq n) \wedge (l < k)) \Rightarrow ((\forall i(i < k - l) \Rightarrow T[m + n - k + l + i] \\
&\quad = T[m + l + i]) \wedge (\forall i(i < l) \Rightarrow T[m + i] = T[m + k + i]))) \\
\text{isBorder}(k, l, m, n) &:= \text{isBorderC1}(k, l, m, n) \wedge \text{isBorderC2}(k, l, m, n) \wedge \text{isBorderC3}(k, l, m, n).
\end{aligned}$$

We define the predicate $\text{isBordered}(l, m, n)$ that asserts that the l 'th cyclic shift of a length n word at position m in the Thue-Morse word is bordered. We can create this predicate by checking whether this word has a border of size $\leq n/2$.

$$\text{isBordered}(l, m, n) := \exists i(2i \leq n \wedge i \geq 1 \wedge \text{isBorder}(i, l, m, n)).$$

Recall that when $|w|$ is odd and w has a maximum number of unbordered conjugates, we have that $\beta(w) = (ub)^{\lfloor |w|/2 \rfloor} b$, up to conjugation. So we have exactly one pair of adjacent bordered cyclic shifts, and the rest of the cyclic shifts of w alternate between bordered and unbordered. The predicate $\text{isAlternating0}(l, m, n)$ asserts that all of the cyclic shifts of a length n word at position m in the Thue-Morse word alternate between unbordered and bordered, except for the l 'th and $l + 1$ 'th cyclic shifts, which are both bordered.

$$\begin{aligned}
\text{isAlternating0}(l, m, n) &:= \\
&\forall i(((i \neq l \wedge i < n - 1) \Rightarrow (\text{isBordered}(i, m, n) = \neg \text{isBordered}(i + 1, m, n)))) \wedge \\
&(((i \neq l) \wedge (i = n - 1)) \Rightarrow (\text{isBordered}(n - 1, m, n) = \neg \text{isBordered}(0, m, n))).
\end{aligned}$$

Now we create a predicate $\text{hasMNUCO}(m, n)$ that asserts that a length n word at position m in the Thue-Morse word achieves the maximum number of unbordered conjugates.

$$\begin{aligned}
\text{hasMNUCO}(m, n) &:= \exists i(((i < n - 1 \wedge \text{isBordered}(i, m, n) \wedge \text{isBordered}(i + 1, m, n)) \vee \\
&(i = n - 1 \wedge \text{isBordered}(n - 1, m, n) \wedge \text{isBordered}(0, m, n))) \wedge \text{isAlternating0}(i, m, n)).
\end{aligned}$$

Similarly, recall that when $|w|$ is even and w has a maximum number of unbordered conjugates, we have that $\beta(w) = (ub)^i b (ub)^{|w|/2 - i - 1} b$ for some $i \geq 0$ or $\beta(w) = (ub)^{|w|/2}$, up to conjugation. So we have that either all of the cyclic shifts of w alternate between bordered and unbordered, or there are exactly two pairs of adjacent bordered cyclic shifts, and the rest of the cyclic shifts of w alternate between bordered and unbordered. The predicate $\text{isAlternatingE}(e, l, m, n)$ asserts that all of the cyclic shifts of a length n word at position m in the Thue-Morse word alternate between unbordered and bordered, except for the l 'th, $l + 1$ 'th, e 'th, and $e + 1$ 'th cyclic shifts, which are all bordered. Note that $\text{isAlternatingE}(n, n, m, n)$ asserts that all of the cyclic shifts of a length n word at position m in the Thue-Morse word alternate between unbordered and bordered.

$$\begin{aligned}
\text{isAlternatingE}(e, l, m, n) &:= (\forall i(((i \neq l \wedge i \neq e \wedge i < n - 1) \Rightarrow (\text{isBordered}(i, m, n) \Leftrightarrow \\
&\neg \text{isBordered}(i + 1, m, n)))) \wedge (((i \neq l) \wedge (i \neq e) \wedge (i = n - 1)) \Rightarrow \\
&(\text{isBordered}(n - 1, m, n) \Leftrightarrow \neg \text{isBordered}(0, m, n))))
\end{aligned}$$

Now we create a predicate $\text{hasMNUCE}(m, n)$ that asserts that a length n word at position m in the Thue-Morse word achieves the maximum number of unbordered conjugates.

$$\begin{aligned} \text{hasMNUCE}(m, n) := & (\exists i, j ((i < j) \wedge (i < n - 1 \wedge \text{isBordered}(i, m, n) \wedge \text{isBordered}(i + 1, m, n)) \wedge \\ & ((j = n - 1 \wedge \text{isBordered}(n - 1, m, n) \wedge \text{isBordered}(0, m, n)) \vee ((j < n - 1) \wedge \\ & \text{isBordered}(j, m, n) \wedge \text{isBordered}(j + 1, m, n)))) \wedge \text{isAlternatingE}(i, j, m, n)) \vee \\ & \text{isAlternatingE}(n, n, m, n). \end{aligned}$$

With these predicates we can write a predicate asserting that the Thue-Morse word contains factors of every length $n > 3$ that are maximally unbordered and occur at position $\leq n$. We split the computation into cases, one for even length words, and one for odd:

$$\begin{aligned} \forall n ((n \geq 2) \implies (\exists i \text{ hasMNUCE}(i, 2n)) \wedge i \leq 2n) \\ \forall n ((n \geq 2) \implies (\exists i \text{ hasMNUCO}(i, 2n + 1)) \wedge i \leq 2n + 1), \end{aligned}$$

and `Walnut` evaluates these predicates to be true. □

Thus we have that

$$\text{mnuc}_2(n) = \begin{cases} 1, & \text{if } n = 1; \\ 2, & \text{if } n = 2 \text{ or } n = 3; \\ n/2, & \text{if } n \in \{2^i, 3 \cdot 2^i : i \geq 1\}; \\ n/2 - 1, & \text{if } n > 3 \text{ even and } n \notin \{2^i, 3 \cdot 2^i : i \geq 1\}; \\ \lfloor n/2 \rfloor, & \text{if } n > 3 \text{ odd.} \end{cases}$$

Theorem 9. *Let $f(n) = \text{mnuc}_2(n) - \lfloor n/2 \rfloor$. Then f is a 2-automatic sequence.*

4 More about unbordered conjugates

In this section we show that there exist binary words of length n that have exactly i unbordered conjugates where $1 < i \leq \text{mnuc}_2(n)$.

The general idea behind the proof is to pick some $i > 1$ and then pick a word w of odd length such that $\text{nuc}(w) = i$ and $\text{mnuc}_2(|w|) = i$. Furthermore we only consider such words w such that one of w 's conjugates contain `000` as a factor. Then we keep adding `0`'s to w precisely where `000` first occurs. This keeps the number of unbordered conjugates the same. Then we can keep increasing the size of w in this way until we hit the length we want.

Lemma 10. *For $n > 4$ odd, there exists a word $w \in \Sigma_2^n$ such that $\text{nuc}(w) = \lfloor n/2 \rfloor$ and `000` is a factor of some conjugate of w .*

Proof. By Theorem 3, such a word w exists as a factor of the Thue-Morse word. It is well known that the Thue-Morse word is overlap-free. So `000` cannot be a factor of such a word

w . But it is possible that $w = 0u00$, or $w = 00u0$ for some word u . We can check whether this is the case for all odd $n > 4$ by modifying our predicate from the proof of Theorem 3:

$$\forall n ((n \geq 2) \implies (\exists i \text{ hasMNUCO}(i, 2n + 1)) \wedge ((T[i] = 0 \wedge T[i + 1] = 0 \wedge T[2n + i] = 0) \vee (T[i] = 0 \wedge T[2n - 1 + i] = 0 \wedge T[2n + i] = 0))),$$

which evaluates to true. □

Lemma 11. *Let $n > 4$ be odd and w be a binary word of length n such that a conjugate of w has 000 as a factor and $\text{nuc}(w) = \lfloor n/2 \rfloor$. Then every conjugate of w contains at most one distinct occurrence of 000 as a factor.*

Proof. Suppose, contrary to what we want to prove that a conjugate of w contains at least two distinct occurrences of 000 as a factor. Call this conjugate w' .

If the two occurrences of 000 overlap, then we can write $w' = s0000t$ for some words s, t . Then the cyclic shifts $0ts000$, $00ts00$, and $0ts000$ are bordered. This means that only $\lfloor |ts|/2 \rfloor + 1$ of the remaining cyclic shifts of w can be unbordered since any unbordered cyclic shift must be followed by a bordered one. But $\lfloor |ts|/2 \rfloor + 1 = \lfloor (n - 4)/2 \rfloor + 1 < \lfloor n/2 \rfloor$, so the two occurrences of 000 cannot overlap.

If the two occurrences of 000 do not overlap, then we can write $w' = s000t000$ for some words s, t where s , and t are non-empty. Then the conjugates $00t000s0$, $0t000s00$, $00s000t0$, and $0s000t00$ are bordered. By the same argument as above, of the remaining cyclic shifts, a maximum of $\lfloor |st|/2 \rfloor + 2$ of them can be unbordered. But $\lfloor |st|/2 \rfloor + 2 = \lfloor (n - 6)/2 \rfloor + 2 < \lfloor n/2 \rfloor$, a contradiction. □

Lemma 12. *Let $n > 4$ be odd and w be a binary word of length n such that a conjugate w' of w has 000 as a prefix and $\text{nuc}(w) = \lfloor n/2 \rfloor$. Then $\text{nuc}(w) = \text{nuc}(w') = \text{nuc}(0^i w')$ for all $i \geq 0$.*

Proof. Let $i \geq 0$ be an integer. We can write $w' = 000u$ for some word u . It is clear that $0^j u 0^{i+3-j}$ is bordered for all $1 \leq j \leq i + 2$. Therefore, it suffices to prove that $s000t$ is bordered if and only if $s0^{i+3}t$ is bordered where $u = ts$.

First we prove the forward direction. Suppose $s000t$ is bordered. By Lemma 11 we have that $s000t$ contains only one occurrence of 000 as a factor. So 000 is neither a prefix of $s00$ nor a suffix of $00t$. Thus, any border of $s000t$ must of length $\leq \min\{|s|, |t|\} + 2$. But such a border would also be a border of $s0^{i+3}t$.

A similar argument works for the reverse direction. Therefore $\text{nuc}(w) = \text{nuc}(w') = \text{nuc}(0^i w')$ for all $i \geq 0$. □

Theorem 13. *For all $1 < i \leq \text{mnuc}_k(n)$ there exists $w \in \Sigma_k^n$ such that $\text{nuc}(w) = i$.*

Proof. Let $C = \{5, 7, 9, 10, 14, 17\}$. For $k \geq 4$, Harju and Nowotka [7] showed that for all integers i with $1 < i \leq n$ there exists a word $w \in \Sigma_k^n$ such that $\text{nuc}(w) = i$. For $k = 3$, Harju and Nowotka [7] showed that if $n \notin C$ then for all integers i with $1 < i \leq n$ there exists a

word $w \in \Sigma_k^n$ such that $\text{nuc}(w) = i$, and if $n \in C$ then for all integers i with $1 < i < n$ there exists a word $w \in \Sigma_k^n$ such that $\text{nuc}(w) = i$.

To the best of the authors' knowledge, there is no known proof of the existence of such words for $k = 2$. Suppose $k = 2$. By Theorem 3 there exists a $w \in \Sigma_2^n$ such that w is a factor of the Thue-Morse word and $\text{mnuc}_2(n) = \text{nuc}(w)$. So assume $i < \text{mnuc}_2(n)$. By Lemma 10 there exists a binary word u of odd length m such that $\text{nuc}(u) = i = \lfloor m/2 \rfloor$ and 000 is a factor of some conjugate of u . Let u' be the conjugate of u such that 000 is a prefix of u' . Lemma 12 tells us $\text{nuc}(u) = \text{nuc}(u') = \text{nuc}(0^{n-m}u')$. Since $\text{nuc}(0^{n-m}u') = i$ and $|0^{n-m}u'| = n$, we have that for all $1 < i \leq \text{mnuc}_2(n)$, there exists a $w \in \Sigma_2^n$ such that $\text{nuc}(w) = i$. \square

5 Expected number of unbordered conjugates

What is the expected number of unbordered conjugates of a randomly-chosen word of length n ?

Let $u_k(n)$ denote the number of unbordered binary words of length n . It is known that $\lim_{n \rightarrow \infty} u_k(n)/k^n = \alpha_k$, where α_k is a certain real number. We have $\alpha_2 \doteq 0.2677$; see [10].

Theorem 14. *The expected number of unbordered conjugates of a randomly-chosen word of length n over a k -letter alphabet is $(u_k(n)/k^n)n$, which is asymptotically equal to $\alpha_k n$.*

Proof. To see this, let x be a word of length n . There are two cases: x is not primitive, and x is primitive.

If x is not primitive, it equals y^e for some $e \geq 2$. Then by a well-known result, every conjugate of x is bordered. So x has 0 unbordered conjugates.

If x is primitive, then all its cyclic shifts are distinct. (For otherwise $x = uv = vu$, and then by Lyndon-Schützenberger we know x is a power.) There are n of these cyclic shifts. So if we consider all conjugates of all primitive words, each primitive word appears exactly n times.

Putting this all together, we get

$$\begin{aligned}
\sum_{i \in S} i \cdot \Pr[X = i] &= \frac{1}{k^n} \sum_{x \in \Sigma^n} \text{nuc}(x) \\
&= \frac{1}{k^n} \sum_{\substack{x \in \Sigma^n \\ x \text{ primitive}}} \text{nuc}(x) \\
&= \frac{1}{k^n} \sum_{\substack{x \in \Sigma^n \\ x \text{ primitive}}} \sum_{0 \leq i < n} [\sigma^i(x) \text{ is unbordered}] \\
&= \frac{1}{k^n} \cdot n \cdot \sum_{\substack{x \in \Sigma^n \\ x \text{ primitive}}} [x \text{ is unbordered}] \\
&= \frac{1}{k^n} n \cdot u_k(n),
\end{aligned}$$

as claimed. Here $\text{nuc}(x)$ is the number of unbordered conjugates of x , and $\sigma^i(x)$ denotes the left shift by i locations of x , and $[p]$ is 1 if p is true and 0 otherwise. \square

6 Conclusions

We want to emphasize that our experience shows that rephrasing problems in combinatorics on words using the first-order logical theory of automatic sequences can be a useful tool in solving these problems. We encourage others to adopt this approach.

Acknowledgments

We thank Dirk Nowotka for helpful discussions.

References

- [1] J.-P. Allouche and J. O. Shallit. The ubiquitous Prouhet-Thue-Morse sequence. In C. Ding, T. Helleseht, and H. Niederreiter, editors, *Sequences and Their Applications, Proceedings of SETA '98*, pp. 1–16. Springer-Verlag, 1999.
- [2] J.-P. Allouche and J. Shallit. *Automatic Sequences: Theory, Applications, Generalizations*. Cambridge University Press, 2003.
- [3] J. Berstel. *Axel Thue's Papers on Repetitions in Words: a Translation*. Number 20 in Publications du Laboratoire de Combinatoire et d'Informatique Mathématique. Université du Québec à Montréal, February 1995.
- [4] V. Bruyère, G. Hansel, C. Michaux, and R. Villemaire. Logic and p -recognizable sets of integers. *Bull. Belgian Math. Soc.* **1** (1994), 191–238. Corrigendum, *Bull. Belg. Math. Soc.* **1** (1994), 577.
- [5] J. Currie. There are ternary circular square-free words of length n for $n \geq 18$. *Electronic J. Combinatorics* **9** (2002), #N10 (electronic).
- [6] T. Harju and D. Nowotka. Border correlation of binary words. *J. Combin. Theory Ser. A* **108** (2004), 331–341.
- [7] T. Harju and D. Nowotka. Bordered conjugates of words over large alphabets. *Electronic J. Combinatorics* **15** (2008), #N41 (electronic), <https://www.combinatorics.org/ojs/index.php/eljc/article/view/v15i1n41>
- [8] R. C. Lyndon and M. P. Schützenberger. The equation $a^M = b^N c^P$ in a free group. *Michigan Math. J.* **9** (1962), 289–298.

- [9] H. Mousavi. Automatic theorem proving in Walnut. Arxiv preprint, available at <https://arxiv.org/abs/1603.06017>. Software available at <https://github.com/hamousavi/Walnut>, 2016.
- [10] P. T. Nielsen. A note on bifix-free sequences. *IEEE Trans. Inform. Theory* **IT-19** (1973), 704–706.
- [11] J. Shallit and R. Zarifi. Circular critical exponents for Thue-Morse factors. *RAIRO Inform. Théor. App.* **53** (2019), 37–49.
- [12] A. Thue. Über unendliche Zeichenreihen. *Norske vid. Selsk. Skr. Mat. Nat. Kl.* **7** (1906), 1–22. Reprinted in *Selected Mathematical Papers of Axel Thue*, T. Nagell, editor, Universitetsforlaget, Oslo, 1977, pp. 139–158.
- [13] A. Thue. Über die gegenseitige Lage gleicher Teile gewisser Zeichenreihen. *Norske vid. Selsk. Skr. Mat. Nat. Kl.* **1** (1912), 1–67. Reprinted in *Selected Mathematical Papers of Axel Thue*, T. Nagell, editor, Universitetsforlaget, Oslo, 1977, pp. 413–478.