

A Mixed-Signal Large Dynamic Range Front-End ASIC for High Capacitance Detectors

W.Cheng^{a,b,c,d,e,1} F.Cossio^{c,d} M. Da Rocha Rolo^d A.Rivetti^d Z.Wang^{a,e}

^a*Institute of High Energy Physics, Chinese Academy of Sciences
19B YuquanLu, Beijing 100049, China*

^b*University of Chinese Academy of Sciences,
Beijing 100049, China*

^c*Politecnico of Turin,
Corso Duca degli Abruzzi, 24, 10129 Torino, Italy*

^d*I.N.F.N., Section of Turin,
Via Pietro Giuria, 1, 10125 Torino, Italy*

^e*State Key Laboratory of Particle Detection and Electronics
Beijing 100049, China*

E-mail: weishuai.cheng@polito.it

ABSTRACT: A 64-channel mixed-mode ASIC, suitable for particle detectors of large dynamic range and high capacitance up to hundreds of pF, is presented here. Each channel features an analogue front-end for signal amplification and filtering, and a mixed signal back-end to digitise and store the signal information. The analogue part consists of a low input-impedance programmable gain pre-amplifier based on a regulated common-gate (RCG) input stage, two shapers optimised for time and energy measurements. The back-end part mainly includes discriminators, TDCs and ADCs, which are used to process the signal and encode both the time of arrival and the charge in the input signal with a fully digital output. The programmable gain of the front-end (up to 400 fC input dynamic range) and the versatile back-end allow the readout of different gaseous detectors like GEM, MicroMEGAS and MWPC.

The ASIC is designed for an event rate up to 100 kHz per channel and a power consumption less than 9 mW/channel, has been fabricated in a 110 nm CMOS technology.

KEYWORDS: RCG, mixed-mode, high dynamic range, high detector capacitance, gaseous detectors

¹Corresponding author.

Contents

1	Introduction	1
2	Overview of the ASIC architecture	2
3	Versatile Front-End Amplifier Design	3
4	Shaper stages and discriminators	8
5	Time and Amplitude Digitisation Circuits	10
6	Characterisation results	12
7	Conclusions and outlook	16

1 Introduction

Gaseous detectors featuring high rate capability, good time and spatial resolution and low cost, are widely used in high energy physics experiments and medical imaging[1]. The simplest gaseous detector can be regarded as two parallel plates applied with different electric potentials, filled with gas medium inside. Charged particles crossing the detectors interact with the medium, ionizing the gas and producing the primary charges. While the charges drift in the applied electric field, they are multiplied by a factor of about $10^4 - 10^6$, depending on the detector technology. Finally the signal is induced on the electrodes and typically readout by dedicated electronics. Generally, the output of this kind of detectors can be modelled as a current pulse in parallel with a capacitor[2] of about tens to hundreds of pF.

This paper describes the design of a versatile mixed-signal front-end ASIC for the readout of a wide range of detectors. Designed in an area of $5 \times 5 \text{ mm}^2$, this chip with 64 parallel channels features a full chain readout for gaseous sensors providing amplification, signal conditioning and discrimination, and provides a data payload containing the channel ID, the time stamp and charge information for each event. The programmable gain and input impedance of the front-end amplifier allows to match the requirements of different detectors. The chip has been fabricated in UMC 110 nm CMOS technology and operates at 1.2 V power supply. Table 1 shows the key features of the ASIC.

This paper is organised as follows : Section 2 gives an overview of the chip structure. Section 3 describes the architecture of the pre-amplifier, including mainly the transfer function and noise analysis. Section 4 makes the description of the shapers and discriminators. Section 5 introduces the back-end part, including the TDC, S&H and ADC working principles. Section 6 reports the test results.

Parameters	Values
Number of channels	64
Events rate	> 100 kHz per channel
INL	< 1 %
Dynamic Range	up to 400 fC
Input capacitance	tens to hundreds of pF
Power Consumption	<10 mW/ch
Technology	UMC 110 nm CMOS

Table 1. Design parameters of the chip

2 Overview of the ASIC architecture

The development of this chip was done in parallel with that of the TIGER ASIC developed for the readout of a Cylindrical Triple-GEM detector, in the framework of the BESIII Inner Tracker upgrade program[3][4]. The re-use of key IPs between the two ASICs, such as the Time-to-Digital Converters, the DACs and of most of the control logic shortened the design time, while the sharing of the same dedicated fabrication reticle allowed for a significant cost reduction. For a detailed review of the TIGER ASIC and associated on-detector electronics the reader is referred to [5].

Figure 1 shows the block diagram of one channel. The signal from the detector is firstly read out by a Regulated Common Gate (RCG) pre-amplifier, which works a current conveyor and provides programmable gain and input impedance. The current output signal is then split into two branches: the timing branch consists of a fast shaping TIA (Trans-impedance Amplifier) with a peaking time of about 60 ns used for accurate timing measurements, while the energy branch has a slower shaper with a peaking time of about 170 ns to minimise the equivalent noise charge (ENC).

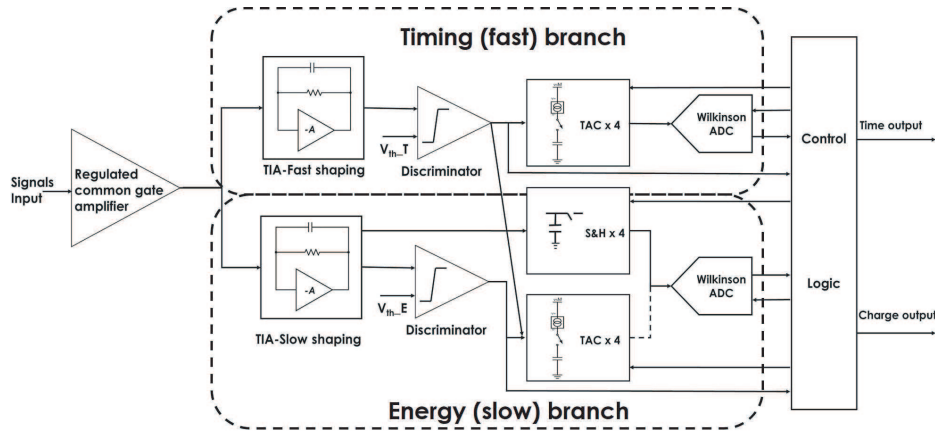


Figure 1. Architecture of one channel

The output signal of the timing branch amplifier is fed to a fast leading-edge threshold voltage-mode discriminator, generating a trigger signal which is used for the time-to-digital conversion of the

crossing time. The low-power Time-to-Digital Converter (TDC), based on time interpolation, uses up to four Time to Analogue Converters (TACs) and one Wilkinson Analogue-to-Digital Converter (ADC).

The circuit allows for two different methods to be used for the charge measurement: Sampling and Hold (S&H) of the voltage signal at the output of the energy branch, or a time-based readout of the Time over Threshold (ToT). The S&H circuit samples and holds the peak voltage from the slow shaper output, which is then digitised by a Wilkinson ADC. Alternatively, the ToT method is implemented using two TACs to record the time stamps of the rising edge and falling edge. This method, despite its intrinsic non-linearity when using CR-RC filters, is a versatile solution for the energy measurement in case the input charge exceeds the dynamic range of the S&H circuit. The trigger signal for the S&H circuit and the rising edge time-stamp for the ToT can be generated both by the leading-edge crossing of the fast or slow shapers. Similarly, the falling edge for the ToT measurement can be selected either using the fast or the slow signal branch.

Control logic in each channel handles the operation of the back-end digitisation circuitry. This digital core operates at 200 MHz and manages the TACs, TDC/ADCs and data/control interface with the chip global back-end.

3 Versatile Front-End Amplifier Design

Figure 2 depicts a simplified transistor-level schematic of the front-end amplifier. The design parameters of the pre-amplifier MOSFETs are listed in Table 2.

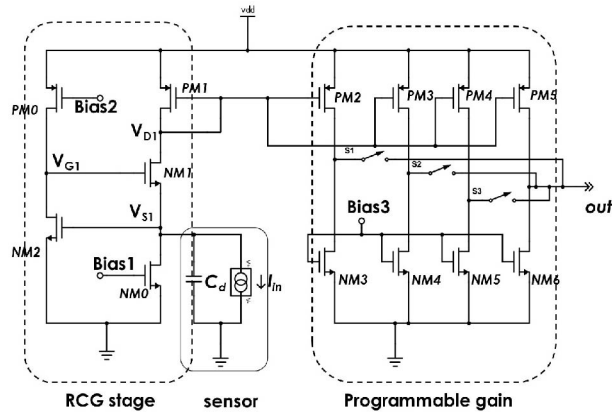


Figure 2. Transistor-level schematics of the pre-amplifier

The input stage is based on a common gate topology with g_m -boosting and works as a current conveyor. This regulated common gate amplifier topology allows for the realisation of a controllable very low input impedance front-end [8].

A programmable gain stage, shown in figure 2, is implemented with a configurable parallel connection of the output PMOS of the current mirror. The series switches s_1 , s_2 and s_3 allow for 8 programmable gain settings. The programmable gain stage (figure 2) is replicated for the fast and slow branches, and the current-mode output signal is fed to each one of the shapers. The control

NMOS	Width[μm]	Length[μm]	PMOS	Width[μm]	Length[μm]
NM0	15	5	PM0	180	0.8
NM1	50	0.5	PM1	10	0.5
NM2	8000	0.6	PM2	16	0.5
NM3	16	2	PM3	8	0.5
NM4	8	2	PM4	4	0.5
NM5	4	2	PM5	4	0.5
NM6	4	2			

Table 2. Dimensions of front-end transistors

voltage $Bias3$ (configured by a 6-bit DAC) can be adjusted and allows for a fine setting of the output DC current of the gain stage, effectively controlling the amount of DC current sink from the shaper stage.

Each channel features a 6-bit DAC and a 5-bit DAC to set the currents in common gate ($Bias1$) and g_m -boosted stage ($Bias2$) respectively. This allows for a configuration range of the bias current in the order of $2.5 \mu\text{A}$ to $10 \mu\text{A}$ in the common gate stage, and 0.1 mA to 3.3 mA in the g_m -boosted stage. In the RCG circuit, the input transistor NM1 is in a common gate configuration, and NM2/PM0 implement the common source amplifier used to decrease the impedance seen at the source of NM1. The small signal equivalent circuit of a generic regulated common gate amplifier is shown in figure 3. Here, we use C_d to account for the sensor capacitance and the parasitic

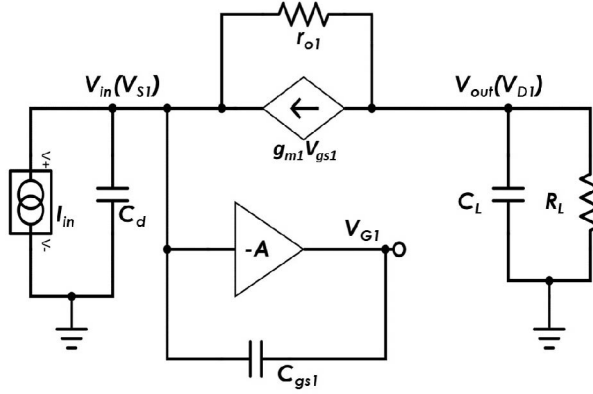


Figure 3. Small-signal equivalent of RCG

capacitance of the transistors at the input node which, in the scheme depicted in figure 2, is mostly given by the gate-source capacitance of NM2. C_{gs1} is the capacitance between the gate and source of NM1, the common gate transistor. The open-loop gain of the common source amplifier is given by Eq. (3.1):

$$A = g_{m2}(r_{o2} || r_{op0}) \quad (3.1)$$

where g_{m2} is the transconductance of NM2, and r_{o2} , r_{op0} are the output resistance of NM2 and

PM0, respectively.

Likewise, we define g_{m1} and r_{o1} as the transconductance and output resistance of the input transistor NM1.

We can apply the KCL (Kirchhoff current law) at the input and output nodes to obtain the equations (3.2), (3.3) and (3.4):

$$I_{in} + V_{S1}sC_d + (V_{S1} - V_{D1})r_{o1}^{-1} + (1 + A)V_{S1}sC_{gs1} = g_{m1}V_{gs1} \quad (3.2)$$

$$V_{D1}Z_L^{-1} + g_{m1}V_{gs1} = (V_{S1} - V_{D1})r_{o1}^{-1} \quad (3.3)$$

and,

$$Z_L = R_L \parallel \frac{1}{sC_L} \quad (3.4)$$

where R_L and C_L are the lump load impedance connected to the drain of NM1. From (3.2) and (3.3) we can use the following approximation:

$$g_{m1}(A + 1) \approx g_{m1}A \gg r_{o1}^{-1} \quad (3.5)$$

Assuming high-capacitance detectors, the following approximation is also valid:

$$C_d \gg (A + 1)C_{gs1} \quad (3.6)$$

As a consequence, we can obtain a simplified transfer function:

$$T_s = V_{out}/I_{in} = -\frac{R_L}{(1 + s\tau_i)(1 + s\tau_L)} \quad (3.7)$$

and the relation that defines the input impedance becomes:

$$Z_{in} = \frac{1}{Ag_{m1}} \quad (3.8)$$

Generally, the two main poles of the g_m -boosted common gate amplifier are defined at the input and output nodes (VS1 and VD1 in figure 2):

$$\begin{cases} \tau_i = \frac{C_d}{Ag_{m1}} \\ \tau_L = R_L C_L \end{cases} \quad (3.9)$$

Since the frequency of input pole is A times higher than the ordinary common gate topology, the RCG input-stage is suitable for the readout of sensors with high capacitance.

A third pole τ_R , introduced by the RC time constant seen at the node VG1, defines a frequency dependent gain of the common source stage:

$$A(s) = \frac{A_0}{1 + s\tau_R} \quad (3.10)$$

The equation (3.10) is a revised relation of (3.1), considering (3.10) and also the effect of C_{gs1} . Starting from equations (3.2) and (3.3), we can write the complete transfer function:

$$T_s = -\frac{g_{m1}A_0R_L}{[s^2C_d\tau_R + s(C_d + A_0C_{gs1}) + g_{m1}A_0](1 + sR_L C_L)} \quad (3.11)$$

The denominator thereby is comprised of a second order polynomial, which may have complex conjugate roots. To avoid the complex conjugate roots, the following relation is necessary:

$$(C_d + A_0 C_{gs1})^2 > 4g_{m1} A_0 C_d \tau_R \quad (3.12)$$

which can be rewritten as:

$$C_d^2 + (2A_0 C_{gs1} - 4g_{m1} A_0 \tau_R) C_d + A_0^2 C_{gs1}^2 > 0 \quad (3.13)$$

From 3.13 we can define the minimum stability margin, corresponding to the relation:

$$C_d = A_0(2g_{m1} \tau_R - C_{gs1}) \quad (3.14)$$

If the sensor capacitance is sufficiently high, with the approximation $C_d \gg A_0 C_{gs1}$, (3.13) becomes:

$$C_d > 4g_{m1} A_0 \tau_R \quad (3.15)$$

On the other hand, when the sensor capacitance is small, we can obtain:

$$C_d < \frac{A_0 C_{gs1}^2}{4g_{m1} \tau_R} \quad (3.16)$$

Interestingly enough, according to the (3.15) and (3.16), the RCG circuit is able to avoid the complex conjugate roots when the sensor capacitance is either very small or very high, while a transimpedance amplifier may suffer from instability when the C_d is very large[2]. Therefore, the RCG amplifier is particularly suitable to achieve a fast readout for sensors with very large terminal capacitance. Furthermore, for intermediate values of C_d , small values of τ_R and g_{m1} are preferred in order to avoid possible complex conjugate roots in (3.11).

In order to verify this hypothesis, we perform an analysis based on the simulation of the simplified schematic shown in figure 4. An ideal current source is employed to provide the common gate current (I_{cg}), and C_l is used to model the load capacitance. The stability simulation of the close loop formed by the boosted stage (implemented by a limited bandwidth amplifier) is carried out, where A is defined by equation 3.10 using $A_0 = 50$, $\tau_R = 1k\Omega * 2pF = 2ns$, $C_{gs1} = 1pF$.

Table 3 summarises the simulation results in terms of the phase margin obtained at different bias conditions of NM1, as a function of the input capacitance. The results are compatible with the analysis above. Setting a smaller common gate current can increase the phase margin for intermediate values of C_d .

The two dominant sources of electronic noise in MOS devices are flicker and thermal noise. Flicker noise can be modelled with a voltage source series-connected to the gate of the transistor, and expressed as:

$$V_{nf}^2 = \frac{K}{C_{ox} W L} \frac{1}{f} \quad (3.17)$$

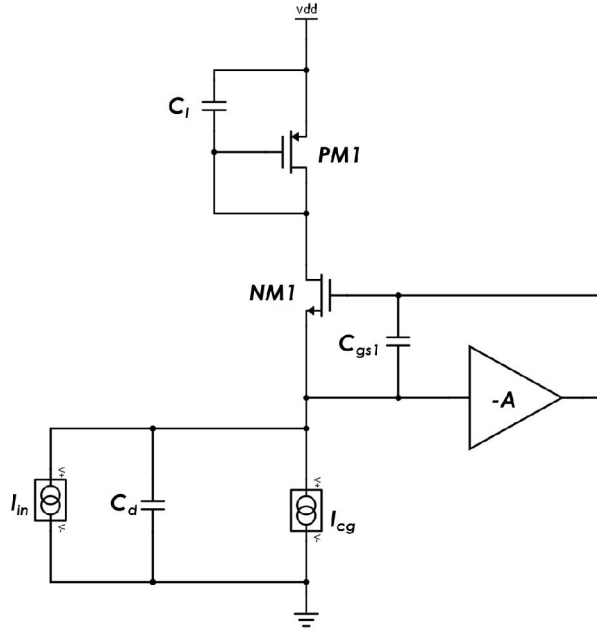


Figure 4. Schematic for stability simulation

Phase Margin	I_{cg}	$10 \mu A$	$50 \mu A$
C_d			
5 pF		92.1 deg	81.3 deg
20 pF		85.4 deg	64.3 deg
50 pF		82.0 deg	58.2 deg
100 pF		82.2 deg	59.0 deg
350 pF		86.3 deg	70.5 deg
500 pF		87.5 deg	74.7 deg

Table 3. Stability simulation results

where K is a constant given by the process, C_{ox} is gate oxide capacitance per unit area, WL is the gate area. Its contribution is minimised by choosing a proper area for transistors and decreasing the transconductance of the current sources.

Thermal noise, which spectral density in MOS devices can be represented through a resistor analogy, is given by the general expression of (3.18):

$$I_{nt}^2 = 4kT\gamma g_m \quad (3.18)$$

where k is the Boltzman constant, T is absolute temperature, and γ is a complex function of the basic transistor parameters and bias conditions, with a typical value of 2/3 or higher. Considering as prominent the thermal noise contribution from NM1 and NM2, we can write:

$$V_{n2}^2 = I_{n2}^2 / g_{m2}^2$$

where the I_{n2}^2 is the current mode noise defined by (3.18).

For NM1, since its transconductance is boosted by the factor of A, one can define the noise voltage as:

$$V_{n1}^2 = I_{n1}^2 / A^2 g_{m1}^2$$

Assuming that $A^2 g_{m1}^2 \gg g_{m2}^2$, we conclude that NM2 will become the dominant source of thermal noise, and we can derive the noise contribution to output of NM2:

$$V_{no}^2 = \int_0^\infty V_{n2}^2 |T_s Z_{in}|^2 df = \frac{R_L^2}{A^2 g_{m1}^2} \frac{I_{n2}^2}{g_{m2}^2} \frac{1}{4(\tau_i + \tau_L)} \quad (3.19)$$

From (3.19) we infer that increasing the g_{m2} will considerably decrease the overall noise of RCG, which justifies the need of using a quite large size of common source transistor (NM2). Figure 5 shows a CAD layout detail of the front-end of a single channel, which highlights the large silicon area of the g_m -boosting transistor NM2.

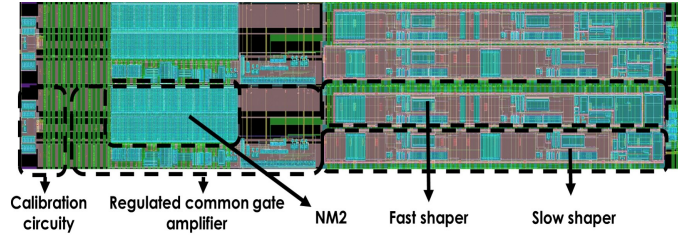


Figure 5. Layout of front-end

4 Shaper stages and discriminators

The simplified schematics of the two shapers are illustrated in figures 6 and 7.

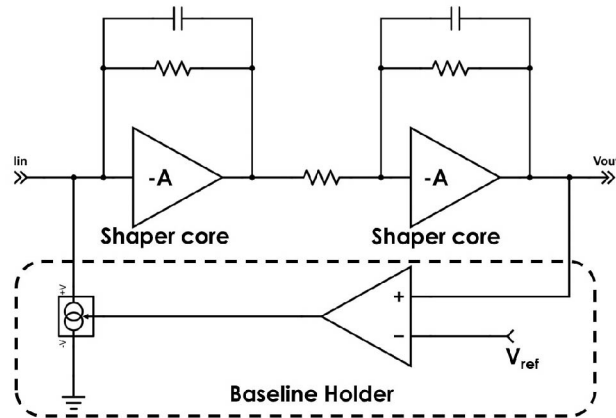


Figure 6. Schematic of Fast Shaper

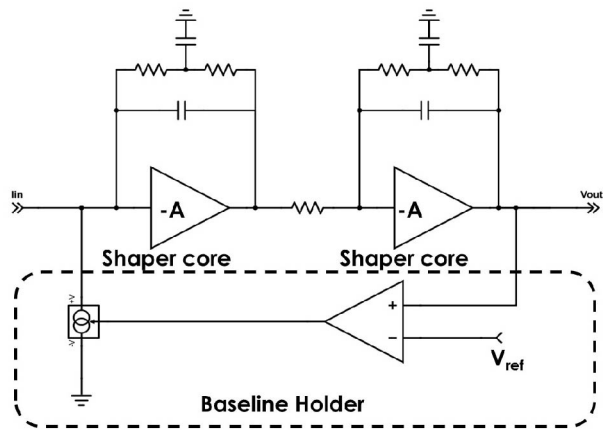


Figure 7. Schematic of Slow Shaper

The feedback resistors and capacitors are carefully designed in order to minimise the spread in key parameters, like peaking time and gain, due to statistical device mismatch and process variations. In the timing branch a conventional CR-RC shaper is employed. In the energy branch the feedback uses a pair of complex conjugate poles, whose impulse response has a better approximation to Gaussian shape, thereby resulting in a lower noise (by increasing the peaking time) for a comparable rate capability.

The shaper cores share the same structure, using a single-ended input stage and a class-AB output [9][10]. The transistor level schematics are shown in figure 8.

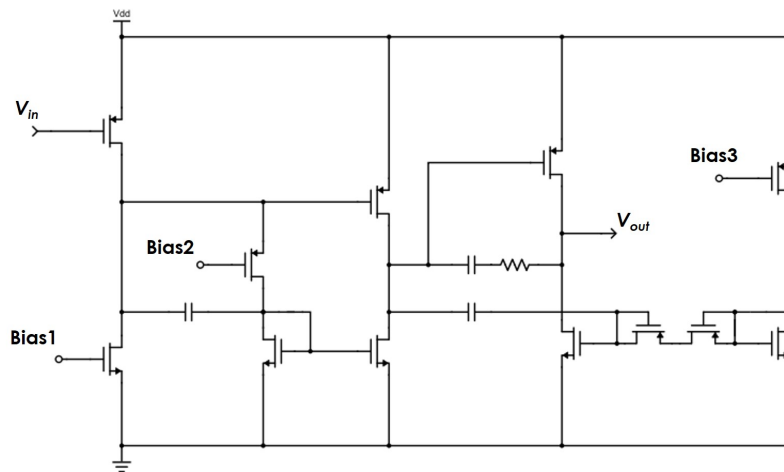


Figure 8. Transistor level design of shaper core

Both shapers employ a Baseline Holder (BLH) structure, whose working principle is mainly based on a very low frequency feedback [11], to set a defined output baseline. Figure 9 shows the transistor level design.

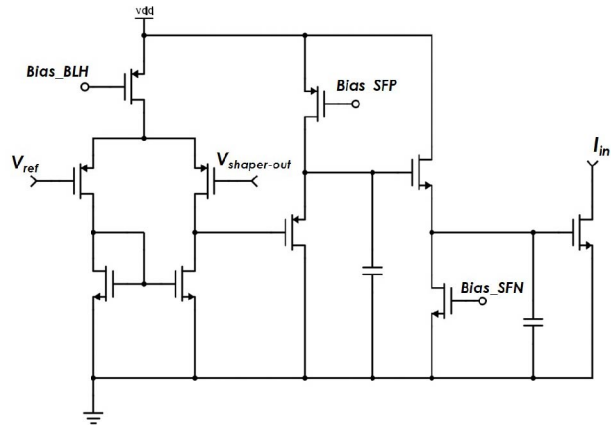


Figure 9. Transistor level design of baseline holder

The voltage outputs of both the fast and slow shapers are used at the input of a fast discriminator that generates CMOS-level trigger signals the channel control logic. The two discriminators share the same structure and the transistor-level schematic is shown in figure 10. The bias current of the differential input amplifier is controlled by V_{b1} and that of the output stage is set by V_{b2} . Both voltage bias are set by a 6-bit DAC at the periphery of the chip, and their value is thereby common to all 64 channels. The global setting V_{hyst} is configured by a 3-bit DAC for an adjustable hysteresis amplitude.

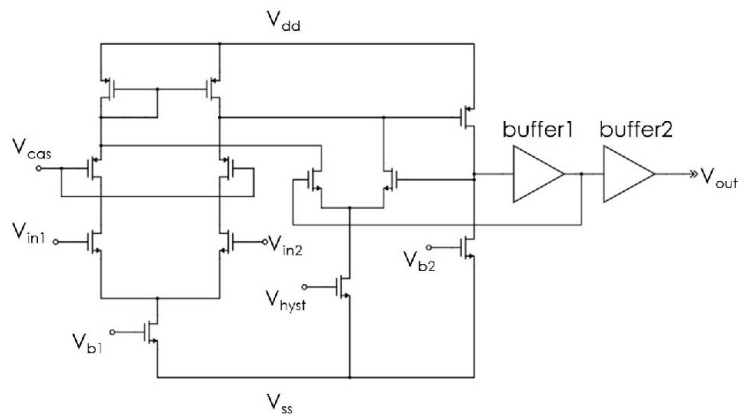


Figure 10. Schematic of discriminator

5 Time and Amplitude Digitisation Circuits

The time measurement is performed by 2 low-power TDCs based on analogue interpolation [6]. A set of 4 Time-to-Amplitude Converters (TACs) per TDC are used, allowing for the de-randomisation

of the time-of-arrival of the events. For each event, the TAC generates and stores a voltage signal that is proportional to the time difference between the trigger and a known leading edge of the system clock. This voltage information is subsequently transferred into a second capacitor C_{TDC} and processed by the Wilkinson ADC, while the buffer is reset to an idle state. Any trigger occurring during the conversion time of the TDC will be processed by the next buffer in the queue, following a round-robin scheme for assignment. Any event occurring while all 4 buffers are occupied will be discarded.

The block diagram of the multi-buffered TDC is illustrated in figure 11 :

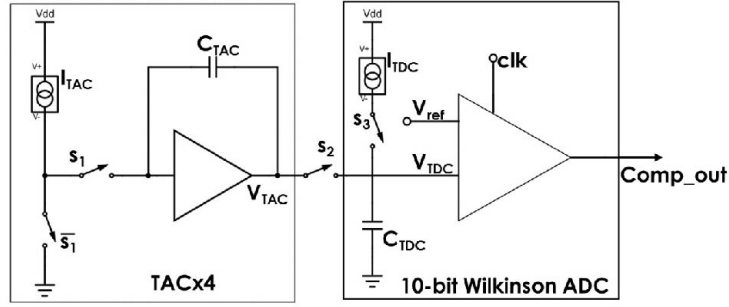


Figure 11. Multi-buffer TDC block diagram

In the event of a trigger, the switch S_1 closes and the current source I_{TAC} ($25 \mu A$) discharges the C_{TAC} (0.5 pF) until the next clock cycle rising edge. A synchronous finite-state machine (FSM) closes the switch S_2 , transferring the voltage stored on C_{TAC} into C_{TDC} (2 pF). In order to cope with the RC constant created by the R_{on} of the CMOS switch, this operation takes 20 clock cycles. The C_{TDC} capacitor is thereafter recharged with a smaller current I_{TDC} ($0.78 \mu A$) until V_{TDC} reaches the steady-state voltage V_{ref} , which is the working principle of the 10-bit Wilkinson ADC. Thereby, the time is interpolated by a factor of 128, considering the following design parameters:

$$32 \times I_{TDC} = I_{TAC}$$

$$C_{TDC} = 4 \times C_{TAC}$$

A system clock of 200 MHz provides a TDC time binning of 40 ps ($\text{LSB} = 5 \text{ ns} / 128$). The fine counter (T-fine) information is convoluted with a 16-bit time stamp (T-coarse) provided by a global binary counter, which state is distributed to the channel, running at the chip clock frequency of 200 MHz: T-coarse and T-fine together provide the time stamp information. When the conversion is completed, the voltages on C_{TAC} and C_{TDC} are reset to the reference value (V_{ref}) by the control logic.

The conversion time defines the event rate that the TDC can handle, and is therefore a function of both operation clock and the interpolation factor. The design specification of a TDC capable of providing a time binning of 40 ps is driven by the fact that we expect, based on simulation results, the intrinsic time resolution of the front-end to be better than 500 ps and 300 ps r.m.s. for

an input charge of 50 fC and considering, respectively 100 pF and 10 pF input capacitance. In these conditions, we expect the quantisation error of the TDC, which adds quadratically to the full channel intrinsic time resolution, to have a negligible contribution.

Two different charge measurement modes are implemented in the chip: ToT (Time-over-Threshold) and S&H (Sample and Hold) mode. In ToT mode both the rising and falling edges of the discriminator are digitised by the TDCs and the charge information can be extracted from the pulse duration. The ToT measurement can be performed on the output of either the Timing branch or Energy branch.

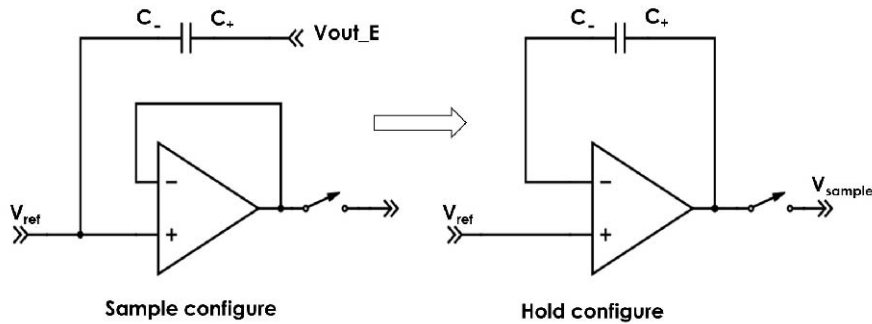


Figure 12. The principle of S&H mode

Figure 12 shows the basic process of S&H mode for charge measurement. The S&H circuit records and holds the peak voltage of the signal from the slow shaper on a capacitor. The configurable sampling time window is managed by the channel control logic, with the start provided by the discriminator of the fast branch (due to the smaller time walk). The voltage stored on the capacitor is then digitised by the Wilkinson ADC of the energy branch which is shared with the TACs, providing a linear measurement of the input charge. Similarly to the method adopted by the TDC, each branch employs four S&H buffers allowing for events de-randomisation.

6 Characterisation results

Figure 13 shows the CAD ASIC layout and the silicon chip wire-bonded to a test board. It is configured, controlled and readout using a commercial FPGA board over standard LVDS links.

A test pulse can be generated using on-chip calibration circuitry or injected externally with a pulse generator and a C-R circuit. The internal test pulse circuitry is implemented in the chip periphery and uses either a trigger signal generated by the global control logic or a digital test pulse fed directly from an external trigger generator. The circuit generates a voltage step function which amplitude is configurable using a 6-bit DAC. The voltage pulse is propagated to the channel under test, and a current-mode signal is generated locally by each channel enabled for calibration. Figure 14 shows the measured peak amplitude at the output of the fast shaper for several gain settings ranging from 10 mV/fC ("set1") down to the minimum 1.2 mV/fC ("set8").

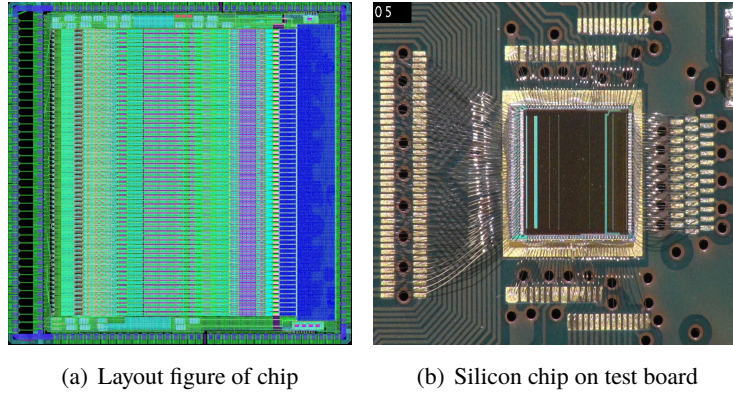


Figure 13. Layout and silicon chip on test board

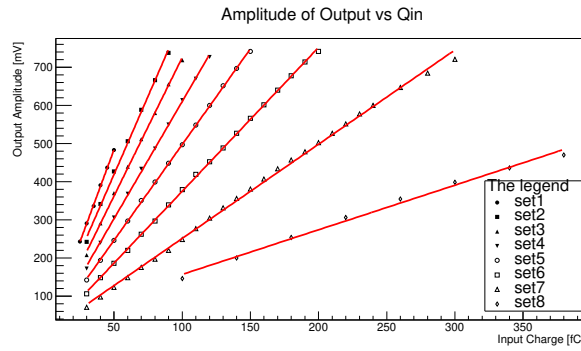


Figure 14. Adjustable Gains Characterisation

Table 4 shows a summary of the gain measurement characterisation results. The mismatch of experimental vs. simulated results at the minimum gain settings, which correspond to the worst Integral Non-Linearity (INL) results, is caused by a dynamic modulation of the V_{sg} of the PMOS devices on the amplifier output stage, which drives these MOSFETs into linear region. Although this non-linearity could be corrected offline after calibration in this first prototype, a design fix will be required in the final version of the chip. A cascoded topology would increase the output resistance of the current mirror, enhancing the linearity of the circuit.

The noise measurement is performed by scanning the amplitude of a fixed charge test pulse with a variable discriminator threshold level V_{th} . The curve consisting of triggered counts can thereafter be analysed by fitting with an S-curve, which the slope is a direct measurement of the noise. Figure 15 shows the characterisation result of the noise as a function of the input capacitance in the timing branch, compared with the post-layout simulation. In these tests, the capacitive load at the input was forced with an external capacitor on the test board.

The measured noise is higher than expected by a factor of 20%. This excess might be due to interference noise from the test environment and power supply.

Gain Set	Gain Test [mV/fC]	Gain Simulated [mV/fC]	Gain Mismatch	INL Test	Max Q_{in} [fC]
1	9.67	9.89	2.22 %	0.64 %	50
2	7.95	8.71	8.73 %	0.69 %	90
3	7.13	7.52	5.19 %	0.66 %	100
4	6.08	6.31	3.65 %	0.71 %	120
5	5.01	5.10	1.76 %	0.69 %	150
6	3.77	3.86	2.33 %	1.3 %	200
7	2.50	2.60	3.85 %	2.15 %	280
8	1.17	1.33	12.03 %	2.78 %	380

Table 4. Gains test of Timing branch

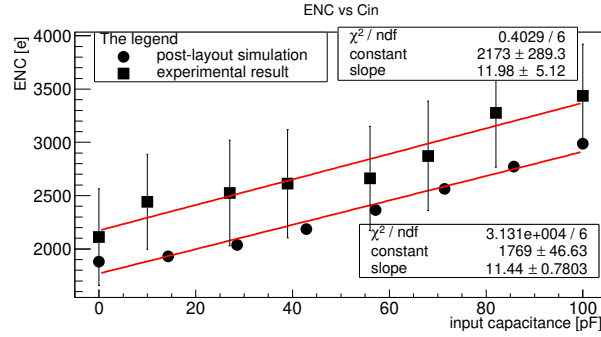


Figure 15. Timing branch noise versus input capacitance

In order to study the channel intrinsic time resolution, a sequence of test pulses synchronised to the FPGA system clock are used for the injection of a calibrated charge to the front-end. The σ of the Gaussian-Fit of the measured time distribution is a direct measurement of the jitter. Figure 16 plots the measurement and simulation results of the timing jitter as a function of the input capacitance, in the condition of an injected charge of 14 fC and gain setting of 10 mV/fC. The test was repeated by scanning the phase of the trigger signal in respect to the clock in steps of 135 ps (38 points on a 5 ns period).

The simulation values are obtained using the following function:

$$\sigma_t = \frac{rmsNoise}{Slope} \quad (6.1)$$

where *Slope* is the slew-rate of the leading edge of the timing shaper output at a fixed threshold, and *rmsNoise* is the total output r.m.s. noise voltage, both obtained with the simulation of a post-layout netlist. The systematic mismatch of simulation versus experimental results is not fully understood and further investigation is needed. The excess of noise in test data is independent of the input capacitance, but we were not able to replicate the same conditions simulating the post-layout

simulations. Thereby, this systematic offset of $440 e^-$ r.m.s. could be related to digital interference noise at the level of the discriminator circuit.

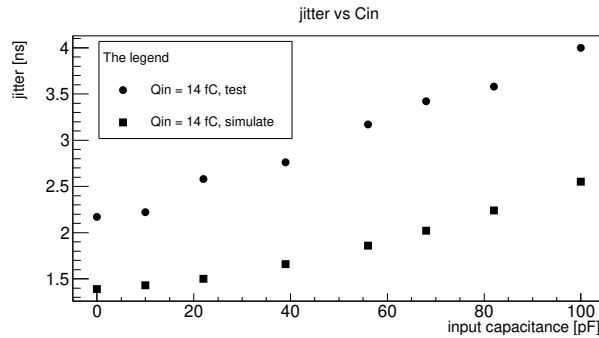


Figure 16. Timing resolution test in T-branch

The charge measurement, as aforementioned, can be performed using ToT (Time-over-Threshold) or S&H (Sample and Hold). The electrical characterisation is performed injecting a test pulse with different charges. Figures 17 and 18 show the results of a charge measurement with ToT and S&H modes, and both in the gain "set1" and "set8", respectively. The digitised output of the S&H is converted to the analogue peak voltage according to the calibration.

Experimental data obtained in S&H method show a INL better than 1% in both the minimum and maximum gain settings. Nevertheless, the non-linearity in minimum gain conditions worsens above 300 fC, for reasons that were already discussed earlier in the Section. The residuals of the linear fit to the characterisation data is shown in figure 19. For the ToT mode, the results are shown in figure 17. The inherent non-linear ToT versus Q_{in} behaviour of the front end requires a 3rd order polynomial fit or an offline Look-Up Table for the charge reconstruction. Despite the advantage in terms of higher dynamic range of the ToT method, the need for a linear fit only makes the usage of the S&H mode more advantageous, since it does not require an offline Look-Up Table.

The Table 5 provides a brief summary of test results.

Attributes	Test Results
Power Consumption	9 mW/ch
INL	< 1 % (up to 300 fC)
Dynamic Range	up to 400 fC
Gain	1.8 to 12 mV/fC (E-branch)
ENC @ 100 pF	$3500e^-$
Jitter @ $Q_{in} = 14$ fC, $C_{in} = 100$ pF	4 ns

Table 5. Summary of electrical test results

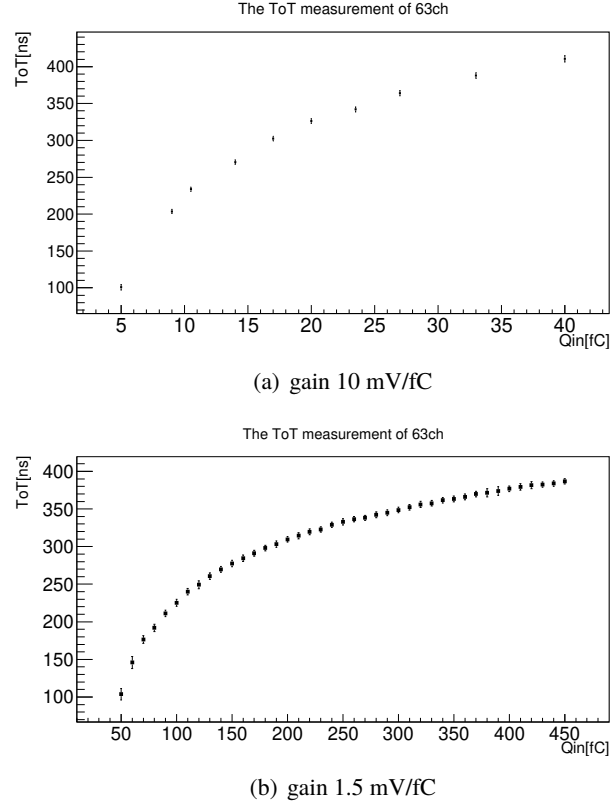


Figure 17. Input charge measurement in ToT mode.

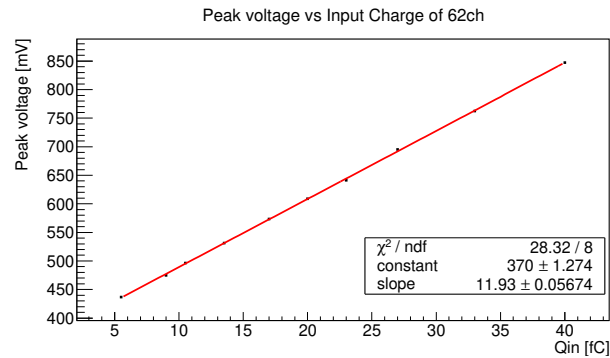
7 Conclusions and outlook

We developed and present the design and electrical test results of a versatile 64-channel mixed-signal ASIC, compatible with the readout of high-capacitance sensors, providing the time stamp and charge measurement of each event. This chip was produced in a UMC 110 nm technology engineering run, sharing the reticle with the TIGER ASIC[5], which was developed for the readout of the CGEM Inner Tracker detector for the BESIII Upgrade.

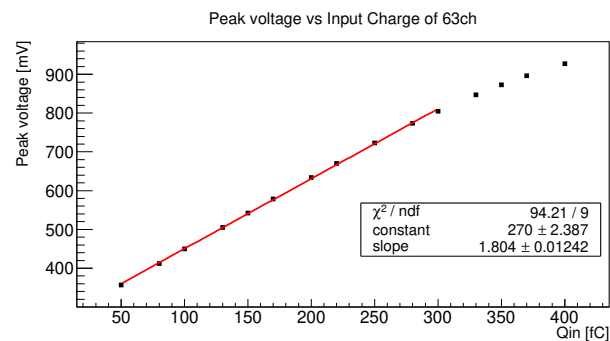
The intrinsic time resolution is better than 4 ns r.m.s. for an input charge of 14 fC with a 100 pF detector capacitance. The charge measurement is performed by two alternative modes : ToT and *S&H* mode. The dynamic range up to 400 fC allows for the use of this ASIC in a wide number of gaseous detectors, while the low-impedance front-end maximises the PSRR and reduces the susceptibility to external interference noise.

Acknowledgments

The research leading to these results has been performed within the BESIIICGEM Project, funded by European Commission in the call H2020-MSCA-RISE-2014.



(a) gain 12 mV/fC

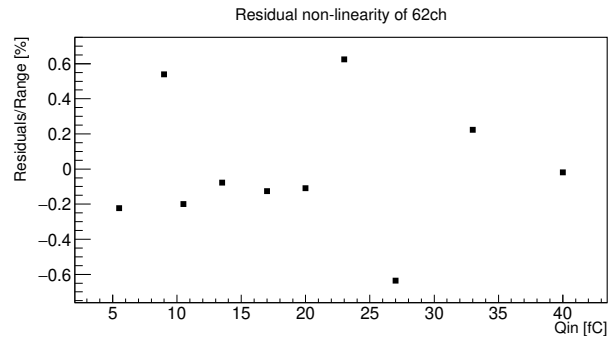


(b) gain 1.8 mV/fC

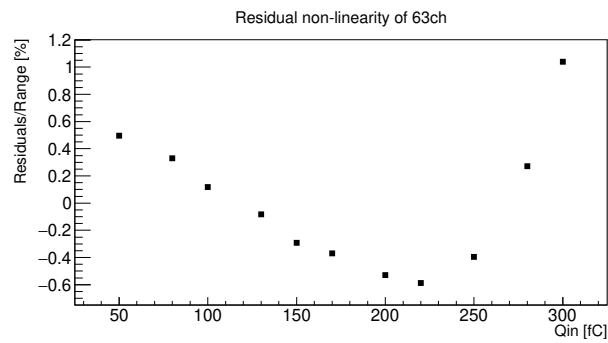
Figure 18. Input charge measurement in S&H mode.

References

- [1] Sauli, Fabio. Gaseous radiation detectors: fundamentals and applications. Vol. 36. Cambridge University Press, 2014.
- [2] Rivetti A. CMOS: front-end electronics for radiation sensors[M]. CRC Press, 2015.
- [3] BESIII Collaboration. BESIII Cylindrical GEM Inner Tracker. Technical report, July, 2014.
- [4] Amoroso, Antonio, et al. "A cylindrical GEM detector with analog readout for the BESIII experiment." Nuclear Instruments and Methods in Physics Research Section A: Accelerators, Spectrometers, Detectors and Associated Equipment 824 (2016): 515-517.
- [5] Rolo, M. Da Rocha, et al. "A custom readout electronics for the BESIII CGEM detector." Journal of Instrumentation 12.07 (2017): C07017.
- [6] Martoiu, S., et al. "A pixel front-end ASIC in 0.13 um CMOS for the NA62 experiment with on pixel 100 ps time-to-digital converter." 2009 IEEE Nuclear Science Symposium Conference Record (NSS/MIC). IEEE, 2009.
- [7] De Geronimo, Gianluigi, Anand Kandasamy, and Paul O'Connor. "Analog peak detector and derandomizer for high-rate spectroscopy." IEEE Transactions on nuclear science 49.4 (2002): 1769-1773.
- [8] Rolo, M. D., et al. "A low-noise CMOS front-end for TOF-PET." Journal of Instrumentation 6.09 (2011): P09003.



(a) gain 12 mV/fC



(b) gain 1.8 mV/fC

Figure 19. Residuals in S&H linear fit

- [9] G. De Geronimo, Shaorui Li, "Shaper Design in CMOS for High Dynamic Range", IEEE Transactions on Nuclear Science, Vol. 58, no. 5, October 2011
- [10] G. De Geronimo et al., "VMM1-An ASIC for Micropattern Detectors", IEEE Transactions on Nuclear Science, Vol. 60, no.3, June 2013
- [11] G. De Geronimo et al., "A CMOS Baseline Holder (BLH) for Readout ASICs", IEEE TNS, Vol. 47, No. 3, June 2000