

Filling the Gap of Utterance-aware and Speaker-aware Representation for Multi-turn Dialogue

Longxiang Liu^{1,2,3,*}, Zhuosheng Zhang^{1,2,3,*}, Hai Zhao^{1,2,3,†}, Xi Zhou⁴, Xiang Zhou⁴

¹Department of Computer Science and Engineering, Shanghai Jiao Tong University

²Key Laboratory of Shanghai Education Commission for Intelligent Interaction and Cognitive Engineering, Shanghai Jiao Tong University, Shanghai, China

³MoE Key Lab of Artificial Intelligence, AI Institute, Shanghai Jiao Tong University, Shanghai, China

⁴CloudWalk Technology, Shanghai, China

{com_prehensive, zhangzs}@sjtu.edu.cn, zhaohai@cs.sjtu.edu.cn,
{zhouxi, zhouxiang}@cloudwalk.cn

Abstract

A multi-turn dialogue is composed of multiple utterances from two or more different speaker roles. Thus utterance- and speaker-aware clues are supposed to be well captured in models. However, in the existing retrieval-based multi-turn dialogue modeling, the pre-trained language models (PrLMs) as encoder represent the dialogues coarsely by taking the pairwise dialogue history and candidate response as a whole, the hierarchical information on either utterance interrelation or speaker roles coupled in such representations is not well addressed. In this work, we propose a novel model to fill such a gap by modeling the effective utterance-aware and speaker-aware representations entailed in a dialogue history. In detail, we decouple the contextualized word representations by masking mechanisms in Transformer-based PrLM, making each word only focus on the words in current utterance, other utterances, two speaker roles (i.e., utterances of sender and utterances of receiver), respectively. Experimental results show that our method boosts the strong ELECTRA baseline substantially in four public benchmark datasets, and achieves various new state-of-the-art performance over previous methods. A series of ablation studies are conducted to demonstrate the effectiveness of our method.

1 Introduction

Building an intelligent chatbot that can understand human conversations and give logically correct, fluent responses is one of the eternal goals of artificial intelligence, especially in the field of natural language processing (NLP). The methods of building a chatbot which is capable of performing multi-turn dialogue can be categorized into two lines: generation-based methods and retrieval-based methods. Generation-based methods (Shang, Lu, and Li 2015; Serban et al. 2016; Su et al. 2019; Zhang et al. 2020b; Li et al. 2019b; Zhao et al.

*Equal contribution. †Corresponding author. This paper was partially supported by National Key Research and Development Program of China (No. 2017YFB0304100), Key Projects of National Natural Science Foundation of China (U1836222 and 61733011), Huawei-SJTU long term AI project, Cutting-edge Machine reading comprehension and language model. Copyright © 2021, Association for the Advancement of Artificial Intelligence (www.aaai.org). All rights reserved.

Turn-ID	Speaker	Utterance (Context)
utterance 1	F:	<i>Excuse me, sir. This is a non smoking area.</i>
utterance 2	M:	<i>Oh, sorry. I will move to the smoking area.</i>
utterance 3	F:	<i>I'm afraid no <u>table</u> in the smoking area is available now</i>
Response Candidates		
response 1	M:	<i>Sorry. I won't smoke in the <u>hospital</u> again. ✗</i>
response 2	M:	<i>OK. I won't smoke. Could you please give me a <u>menu</u>? ✓</i>
response 3	M:	<i>Could you please tell the <u>customer</u> over there not to <u>smoke</u>? We can't stand the smell ✗</i>
response 4	M:	<i>Sorry. I will smoke when I get off the <u>bus</u>. ✗</i>

Table 1: An example of response-selection for multi-turn dialogue in MuTual dataset.

2020; Shen and Feng 2020) directly generate a response using an encoder-decoder framework, which tends to be short and less varied. Retrieval-based methods (Wu et al. 2017; Tao et al. 2019a,b; Zhang et al. 2018; Zhou et al. 2018; Yuan et al. 2019; Li, Li, and Ji 2020; Hua et al. 2020) retrieve a list of response candidates, then use a matching model to rerank the candidates and select the best one as a reply. Since the responses of retrieval-based are generally more natural, fluent, diverse, and syntactically correct, retrieval-based method, which is our major focus in this work, is more mature for producing multi-turn dialogue systems both in academia and industry (Shum, He, and Li 2018; Zhu et al. 2018; Li et al. 2017). Table 1 shows an example from Multi-Turn Dialogue Reasoning dataset (MuTual) (Cui et al. 2020). To choose the right answer, machine should understand and infer from the meaning of “table” and the coreference, indicating the requirement of reasoning ability instead of simple matching.

The core of previous mainstream work is to design a matching network, which calculates matching matrices for each utterance-response pair at different granularities. The matching matrices will be fused to get a feature vector, then the sequence of feature vectors will be further integrated by RNNs to get the final representation for scoring. However,

these methods have obvious disadvantages:

- Interactions mainly involve each utterance and response, ignoring the global interactions between utterances.
- The relative positions between the response and different utterances are not taken into consideration, lacking the sequential information of context-response pairs.

Recently, pre-trained language models (PrLMs), such as BERT (Devlin et al. 2019), RoBERTa (Liu et al. 2019), and ELECTRA (Clark et al. 2019), have achieved impressive performance in a wide range of NLP tasks (Zhang, Zhao, and Wang 2020; Zhang et al. 2019, 2020c,d; Li et al. 2020; Li, Zhao, and Parnow 2020; Li et al. 2019a). In the multi-turn dialogue scope, there are also some efforts using PrLMs to yield promising performances (Whang et al. 2019; Henderson et al. 2019). They are common in adopting a simple strategy by concatenating the response and context directly, and then adding classifier on the top layer of PrLMs (Zhou et al. 2020; Zhang, Huang, and Zhao 2019; Zhang, Yang, and Zhao 2021; Xu, Zhao, and Zhang 2021). However, such simple methods also have disadvantages:

- Simply embedding the token to high-dimensional space cannot faithfully model the additional information, such as positional or turn order information (Wang et al. 2019).
- The mechanism of self-attention runs through the whole dialogue, resulting in entangled information that originally belongs to different parts. Some work in other tasks made an effort to tackle this problem by explicitly separating different parts with self-attention and cross-attention, and achieve certain effects (Zhang et al. 2020a; Zhu, Zhao, and Li 2020).

From a broader view, the existing multi-turn dialogue methods have some common weaknesses. To our best knowledge, they rarely considers the following issues:

- **Transition:** There are speaker role transitions in multi-turn dialogue, which will lead to the ambiguity of coreference. Therefore, it is the essential difference between dialogue and passage. Although Speaker-Aware BERT (Gu et al. 2020) has taken role transitions into consideration, adding the embedding of speaker-id into the inputs of PrLMs is not effective enough.
- **Inherency:** Utterances have their own inherent meaning and contextualized meaning. Explicitly understanding local and global meaning respectively will reduce the negative effects of irrelevant contents in distant contexts. Some work on Neural Machine Translation has considered this and achieved promising results (Zheng et al. 2020), but similar ideas have not appeared in multi-turn dialogue modeling.

In this work, we proposed a novel end-to-end Mask-based Decoupling-Fusing Network (MDFN) to tackle the above problems and thus fill the obvious gap of utterance-aware and speaker-aware representations. In detail, contextualized words representations of the dialogue texts are decoupled into four parts containing different information, which are then fused again after sufficient interactions. More specifically, the PrLM receives concatenated context and response, and outputs the contextualized representation of each word. For each word, we use a masking mechanism inside self-attention network, to limit the focus of each word only on the words in current utterance, other utterances, utterances of sender and utterances of receiver, respectively. To avoid

ambiguity, we call the first two complementary parts as the utterance-aware channel, and the last two as the speaker-aware channel. We then fuse the information inside each channel via a gating mechanism to control the information reservation. The word-level information will be further aggregated to utterance level. For utterance-level representations, BiGRU is adopted to get dialogue-level representations. Inspired by Tao et al. (2019a), we put the information fusion of two channels at the end to get the final dialogue representation for classification.

Experimental results on four public benchmark datasets show that the proposed model outperforms the baseline models substantially on all the evaluation metrics, and achieves various new state-of-the-art results. Especially, compared to the strong ELECTRA baseline, experimental results verify that our model can enhance its performance by 1.6% R@1 on the MuTual dataset.

2 Background and Related Work

2.1 Matching Models

Matching models aim to match the response with contexts and calculate the matching score. They can be divided into two categories: single-turn and multi-turn matching models. Earlier research mainly considered the context utterances as one single utterance, using the dual encoder framework to encode the whole context and the response respectively. The encoder varies in LSTM (Hochreiter and Schmidhuber 1997), CNNs (LeCun et al. 1998), Attentive-LSTM (Tan et al. 2015).

As for multi-turn matching, Sequential Matching Network (SMN) (Wu et al. 2017) is the representative work, where a word-word and a sequence-sequence similarity matrix will be calculated, forming a matching image for each utterance-response pair which will be further integrated by CNN and RNN. Several related works like Deep Utterance Aggregation (DUA) (Zhang et al. 2018), Deep Attention Matching Network (DAM) (Zhou et al. 2018), Interaction-over-Interaction (IoI) (Tao et al. 2019b) are extensions of SMN from different perspectives. DUA (Zhang et al. 2018) points out that the last utterance should be considered explicitly and use self-attention to get a better segment matching matrix. DAM (Zhou et al. 2018) uses hierarchically stacked layers of self-attention to represent matching from different levels. IoI (Tao et al. 2019b) mainly deepens the layers of response-utterance interaction blocks and combines final states at different depths.

2.2 Pre-trained Language Models

Most of pre-trained Language Models (PrLMs) are based on the encoder in Transformer, among which Bidirectional Encoder Representations from Transformers (BERT) (Devlin et al. 2019) is one of the most representative work. BERT uses multiple layers of stacked Transformer Encoder to obtain contextualized representations of the language at different levels. BERT has achieved unprecedented performances in many downstream tasks of NLP. Several subsequent variants have been proposed to further enhance the capacity of PrLMs, such as RoBERTa (Liu et al. 2019), ELECTRA

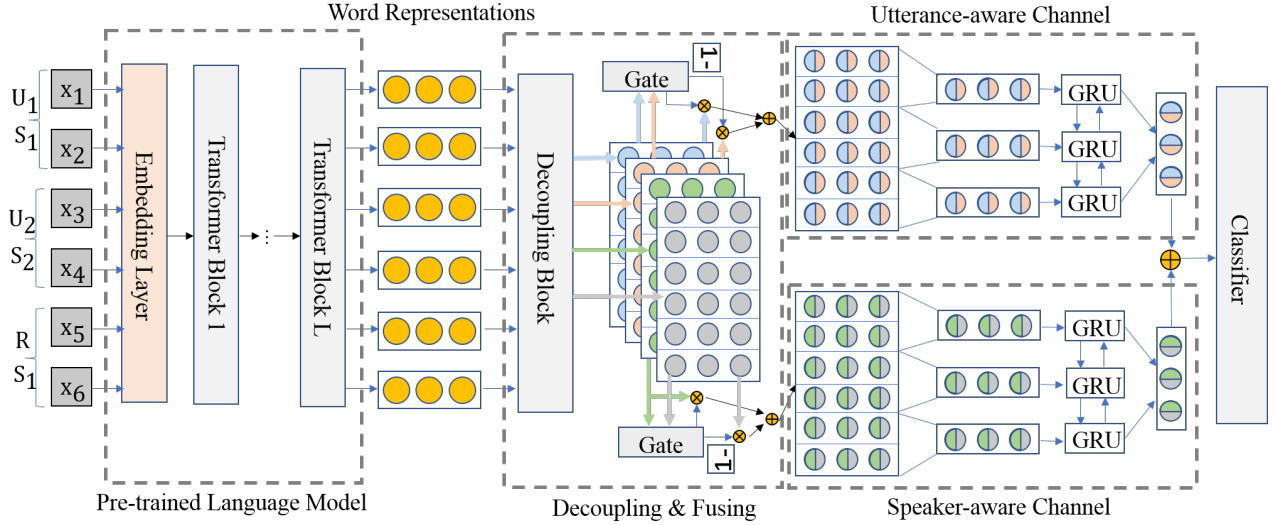


Figure 1: Overall framework of MDFN. Here for simplicity, inputs contain two utterances and one response spoken by two speakers with total six words. A more detailed figure and description on the decoupling block will be shown below.

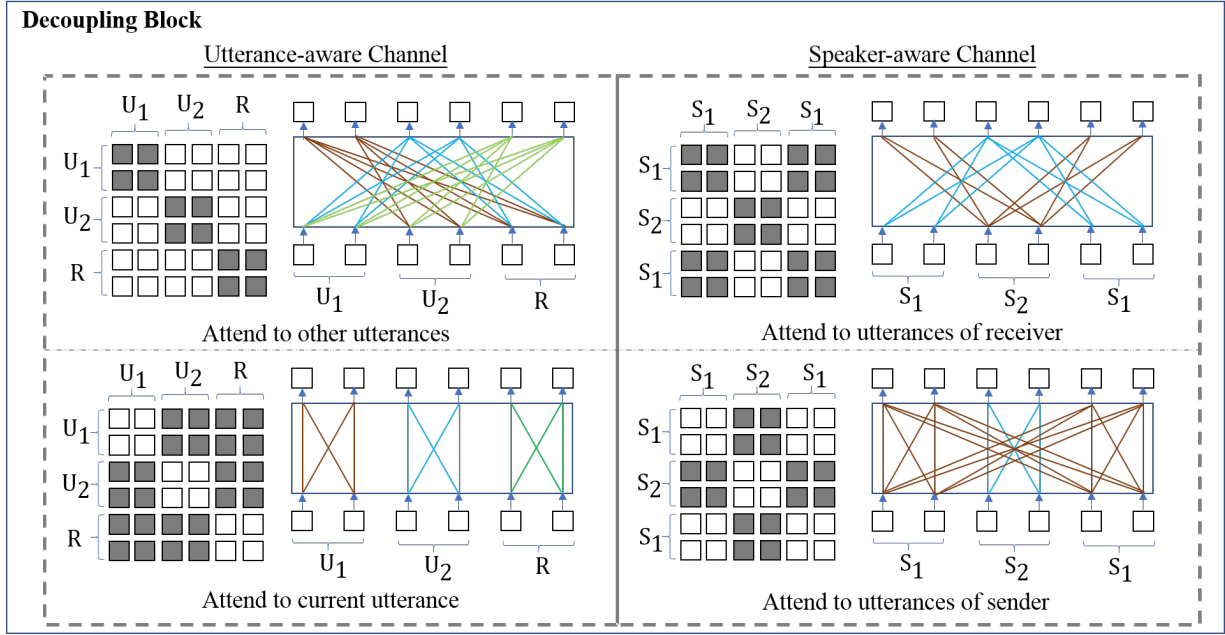


Figure 2: The decoupling block is composed of four independent self-attention blocks with the same inputs and different masks. The same word in different blocks attends to different scope of information

(Clark et al. 2019). Because of the good performance and fast inference speed of ELECTRA, we will adopt ELECTRA as our backbone model in this work.

3 Mask-based Decoupling-Fusing Network

Our proposed model, named Mask-based Decoupling-Fusing Network (MDFN), consists of six parts: Encoding, Decoupling, Fusing, Words Aggregating, Utterances Integrating and Scoring. In this part, we will formulate the prob-

lem and then introduce each sub-module in detail.

3.1 Problem Formulation

Suppose that we have a dataset $\mathcal{D} = \{(y_i, c_i, r_i)\}_{i=1}^N$, where $c_i = \{u_{i,1}, \dots, u_{i,n_i}\}$ represents the dialogue context with $\{u_{i,k}\}_{k=1}^{n_i}$ as utterances. r_i is a response candidate, and $y_i \in \{0, 1\}$ denotes a label. The goal is to learn a discriminator $g(\cdot, \cdot)$ from \mathcal{D} , and at the inference phase, given any new context c and response r , we use the discriminator to

calculate $g(c, r)$ as their matching score. To select several best responses as return to human inputs, we rank matching scores or set a threshold among the list of candidates.

3.2 Model Overview

Figure 1 shows the overall framework of MDFN. MDFN first encodes each word in the concatenated context and response to contextualized representation using the PrLMs. Then as shown in Figure 2, in the decoupling module, self-attention mechanism with different masks forces each word to only focus on the information in specific scopes, decoupling to utterance-aware and speaker-aware channel. Note that now the information flow inside different channels is independent. In each channel, complementary information will be fused by a gate. Then word representations belonging to the same utterance will be aggregated to represent the utterance. The sequence of utterance representations will be delivered to Bidirectional Gated Recurrent Unit (BiGRU) to produce the channel-aware dialogue-level representation. After that, the information from different channels is fused to get the final dialogue representation. The classifier will then output a score of the dialogue to reflect the matching degree between context and candidate response.

MDFN is superior to existing methods in the following ways. First, compared to SA-BERT (Gu et al. 2020), the speaker-aware information is built upon semantically rich contextualized representations instead of a simple additional embedding term, making its influence on dialogue scoring preserved better. Second, compared to the work of designing a complicated matching network, our structure is simpler and can represent information at different levels in a more unified manner. Third, compared to pure PrLMs, additional layer of MDFN can decouple information to different channels, making a full use of the contextualized representations. Besides, since the number of utterances is far less than that of words, the top BiGRU layers can keep their memory capacity, alleviating the defects of Transformer on reflecting relative position information.

3.3 Encoding Context and Response

We first employ a pre-trained language model such as ELECTRA to obtain the initial word representations. The utterances and response are concatenated and then fed into the encoder. Note that we also insert “[SEP]” between every two adjacent utterances. Let $U_i = [u_{i,0}, u_{i,1}, \dots, u_{i,n_i}]$, $R = [r_0, r_1, \dots, r_{n_r}]$, where n_i and n_r is respectively the length of i -th utterances and response, then the output is $E = [e_1, e_2, \dots, e_{n_0+\dots+n_k+n_r}]$ where k is the maximum number of utterances, and $e_i \in \mathbf{R}^d$, d is hidden size.

3.4 Channel-aware Information Decoupling

We first introduce the multi-head self-attention (MHSA) with mask, which can be formulated as:

$$\begin{aligned} \text{Attention}(Q, K, V, M) &= \text{softmax}\left(\frac{QK^T}{\sqrt{d_k}} + M\right)V, \\ \text{head}_i &= \text{Attention}(EW_i^Q, EW_i^K, EW_i^V, M), \\ \text{MHSA}(E, M) &= \text{Concat}(\text{head}_1, \dots, \text{head}_h)W^O, \end{aligned}$$

where $W_i^Q \in \mathbb{R}^{d_{model} \times d_q}$, $W_i^K \in \mathbb{R}^{d_{model} \times d_k}$, $W_i^V \in \mathbb{R}^{d_{model} \times d_v}$, $W_i^O \in \mathbb{R}^{hd_v \times d_{model}}$ are parameter matrices, d_q, d_k, d_v denote the dimension of Query vectors, Key vectors and Value vectors, h denotes the number of heads. M denotes the mask.

We have four masks $\{M_k\}_{k=1}^4 \in \mathbb{R}^{l \times l}$ defined as:

$$\begin{aligned} M_1[i, j] &= \begin{cases} 0, & \text{if } \mathbb{T}_i = \mathbb{T}_j \\ -\infty, & \text{otherwise} \end{cases} \\ M_2[i, j] &= \begin{cases} 0, & \text{if } \mathbb{T}_i \neq \mathbb{T}_j \\ -\infty, & \text{otherwise} \end{cases} \\ M_3[i, j] &= \begin{cases} 0, & \text{if } \mathbb{S}_i = \mathbb{S}_j \\ -\infty, & \text{otherwise} \end{cases} \\ M_4[i, j] &= \begin{cases} 0, & \text{if } \mathbb{S}_i \neq \mathbb{S}_j \\ -\infty, & \text{otherwise} \end{cases} \end{aligned}$$

where i, j is the word position in the whole dialogue, \mathbb{T}_i is the index of utterance the i -th word is located in, and \mathbb{S}_i is the speaker the i -th word is spoken by. And M_1, M_2, M_3, M_4 only attends to the word in current utterance, other utterances, utterances of sender, and utterances of receiver. We call the first two utterance-aware channel, and the last two speaker-aware channel.

Then as shown in Figure 2, the decoupled channel-aware information $\{C_k\}_{k=1}^4 \in \mathbb{R}^{l \times d}$ are derived by multi-head self-attention with mask.

$$C_i = \text{MHSA}(E, M_i), i \in \{1, 2, 3, 4\}, \quad (1)$$

where $E \in \mathbb{R}^{l \times d}$ is the output of PrLMs stated in Section 3.3.

3.5 Complementary Information Fusing

To fuse the complementary information inside each channel, we use a gate to fuse them. Inspired by (Mou et al. 2015), we use a gate to calculate the ratio of information preservation based on a matching heuristics considering the ‘‘Siamese’’ architecture as information from two parts, the element-wise product and difference as ‘‘similarity’’ or ‘‘closeness’’ measures. Let E denote the original representations output from PrLMs. For utterance-aware channel, $\bar{E} = C_1$ and $\hat{E} = C_2$. For speaker-aware channel, $\bar{E} = C_3$ and $\hat{E} = C_4$. C_i is defined in Equation (1). The gate is formulated as:

$$\begin{aligned} \tilde{E}_1 &= \text{ReLU}(\text{FC}([E, \bar{E}, E - \bar{E}, E \odot \bar{E}])), \\ \tilde{E}_2 &= \text{ReLU}(\text{FC}([E, \hat{E}, E - \hat{E}, E \odot \hat{E}])), \\ P &= \text{Sigmoid}(\text{FC}([\tilde{E}_1, \tilde{E}_2])), \\ G(E, \bar{E}, \hat{E}) &= P, \end{aligned} \quad (2)$$

where Sigmoid, ReLU (Agarap 2018) are activation functions, FC is fully-connected layer, and $[\cdot, \cdot]$ means concatenation.

Using two parametric-independent gates, the channel-aware information can be fused, which is defined as:

$$\begin{aligned} P_1 &= G_1(E, C_1, C_2), \\ P_2 &= G_2(E, C_3, C_4), \\ C_u &= P_1 \odot C_1 + (1 - P_1) \odot C_2, \\ C_s &= P_2 \odot C_3 + (1 - P_2) \odot C_4, \end{aligned}$$

where the calculation of $\{G_i\}_{i=1}^2$ is defined in Equation 2, C_u and C_s is the fused utterance-aware and speaker-aware word representations, respectively.

3.6 Utterance Representations

For each channel, word representations will be aggregated by simple max-pooling over words in the same utterance to get the utterance representations. Let L_u and L_s be the output in this part. Then they are defined as:

$$L_u[i, :] = \text{MaxPooling}_{\mathbb{T}_j=i}(C_u[j, :]) \in \mathbb{R}^d,$$

$$L_s[i, :] = \text{MaxPooling}_{\mathbb{T}_j=i}(C_s[j, :]) \in \mathbb{R}^d.$$

3.7 Dialogue Representation

To get the channel-aware dialogue representation, the sequence of utterance representations will be delivered to BiGRU. Suppose that the hidden states of the BiGRU are $(\mathbf{h}_1, \dots, \mathbf{h}_k)$, then $\forall j, 1 \leq j \leq k, \mathbf{h}_j \in \mathbb{R}^{2d}$ is given by

$$\overleftarrow{\mathbf{h}}_j = \overleftarrow{\text{GRU}}(\overleftarrow{\mathbf{h}}_{j-1}, \overleftarrow{\mathbf{L}}[j]),$$

$$\overrightarrow{\mathbf{h}}_j = \overrightarrow{\text{GRU}}(\overrightarrow{\mathbf{h}}_{j-1}, \overrightarrow{\mathbf{L}}[j]),$$

$$\mathbf{h}_j = [\overleftarrow{\mathbf{h}}_j, \overrightarrow{\mathbf{h}}_j].$$

For each channel, we take the hidden state of BiGRU at the last step as channel-aware dialogue representation. Let the two vectors be \mathbf{v}_1 and \mathbf{v}_2 . Then two channels can be easily fused to get the final dialogue representation.

$$\mathbf{v} = \text{Tanh}(W[\mathbf{v}_1; \mathbf{v}_2] + b),$$

where $W \in \mathbb{R}^{d \times 4d}$, $b \in \mathbb{R}^d$ are trainable parameters. Tanh is the activation function.

3.8 Scoring and Learning

The dialogue vector will be fed into a classifier with a fully connected and softmax layer. We learn model $g(\cdot, \cdot)$ by minimizing cross entropy loss with dataset \mathcal{D} . Let Θ denote the parameters of MDFN, for binary classification like ECD, Douban and Ubuntu, the objective function $\mathcal{L}(\mathcal{D}, \Theta)$ can be formulated as:

$$-\sum_{i=1}^N [y_i \log(g(c_i, r_i)) + (1 - y_i) \log(1 - g(c_i, r_i))].$$

For multiple choice task like MuTual, the loss function is:

$$-\sum_{i=1}^N \sum_{k=1}^C y_{i,k} \log(g(c_i, r_{i,k})).$$

4 Experiments

4.1 Datasets

We tested our model¹ on two English datasets: Ubuntu Dialogue Corpus (Ubuntu) and Multi-Turn Dialogue Reasoning (MuTual), and two Chinese datasets: Douban Conversation Corpus (Douban) and E-commerce Dialogue Corpus (ECD).

¹The implementation of our MDFN model is available at <https://github.com/comprehensiveMap/MDFN>

Ubuntu Dialogue Corpus Ubuntu (Lowe et al. 2015) consists of English multi-turn conversations about technical support collected from chat logs of the Ubuntu forum. The dataset contains 1 million context-response pairs, 0.5 million for validation and 0.5 million for testing. In training set, each context has one positive response generated by human and one negative response sampled randomly. In validation and test sets, for each context, there are 9 negative responses and 1 positive response.

Douban Conversation Corpus Douban (Wu et al. 2017) is different from Ubuntu in the following ways. First, it is open domain where dialogues are extracted from Douban Group. Second, Response candidates on the test set are collected by using the last turn as query to retrieve 10 response candidates and labeled by humans. Third, there could be more than one correct responses for a context.

E-commerce Dialogue Corpus ECD (Zhang et al. 2018) dataset is extracted from conversations between customer and service staff on Taobao. It contains over 5 types of conversations based on over 20 commodities. There are also 1 million context-response pairs in training set, 0.5 million in validation set and 0.5 million in test set.

Multi-Turn Dialogue Reasoning MuTual (Cui et al. 2020) consists of 8860 manually annotated dialogues based on Chinese student English listening comprehension exams. For each context, there is one positive response and three negative responses. The difference compared to the above three datasets is that only MuTual is reasoning-based. There are more than 6 types of reasoning abilities reflected in MuTual.

4.2 Setup

For the sake of computational efficiency, the maximum number of utterances is specialized as 20. The concatenated context, response, “[CLS]” and “[SEP]” in one sample is truncated according to the “longest first” rule or padded to a certain length, which is 256 for MuTual and 384 for the other three datasets. Our model is implemented using Pytorch and based on the Transformer Library. We use ELECTRA (Clark et al. 2019) as our underlying model. AdamW (Loshchilov and Hutter 2018) is used as our optimizer. The batch size is 24 for MuTual, and 64 for others. The initial learning rate is 4×10^{-6} for MuTual and 3×10^{-6} for others. We run 3 epochs for MuTual and 2 epochs for others and select the model that achieves the best result in validation. For the English tasks, we use the pre-trained weights *electra-large-discriminator* for fine-tuning; for the Chinese tasks, the weights are from *hfl/chinese-electra-large-discriminator*.²

4.3 Baseline Models

The following models are our baselines for comparison:

- **Multi-turn matching models:** Sequential Matching Network (SMN) (Wu et al. 2017), Deep Attention Matching Network (DAM) (Zhou et al. 2018), Deep Utterance

²Those weights are available in the Transformers repo: <https://github.com/huggingface/transformers/>.

Model	Ubuntu Corpus				Douban Conversation Corpus						E-commerce Dialogue Corpus		
	R ₂ @1	R ₁₀ @1	R ₁₀ @2	R ₁₀ @5	MAP	MRR	P@1	R ₁₀ @1	R ₁₀ @2	R ₁₀ @5	R ₁₀ @1	R ₁₀ @2	R ₁₀ @5
SMN	0.926	0.726	0.847	0.961	0.529	0.569	0.397	0.233	0.396	0.724	0.453	0.654	0.886
DUA	-	0.752	0.868	0.962	0.551	0.599	0.421	0.243	0.421	0.780	0.501	0.700	0.921
DAM	0.938	0.767	0.874	0.969	0.550	0.601	0.427	0.254	0.410	0.757	-	-	-
IoI	0.947	0.796	0.894	0.974	0.573	0.621	0.444	0.269	0.451	0.786	-	-	-
MSN	-	0.800	0.899	0.978	0.587	0.632	0.470	0.295	0.452	0.788	0.606	0.770	0.937
MRFN	0.945	0.786	0.886	0.976	0.571	0.617	0.448	0.276	0.435	0.783	-	-	-
BERT	0.950	0.808	0.897	0.975	0.591	0.633	0.454	0.280	0.470	0.828	0.610	0.814	0.973
SA-BERT	0.965	0.855	0.928	0.983	0.619	0.659	0.496	0.313	0.481	0.847	0.704	0.879	0.985
ELECTRA	0.960	0.845	0.919	0.979	0.599	0.643	0.471	0.287	0.474	0.831	0.607	0.813	0.960
MDFN	0.967	0.866	0.932	0.984	0.624	0.663	0.498	0.325	0.511	0.855	0.639	0.829	0.971

Table 2: Results on three benchmark datasets. The upper part includes methods of multi-turn matching network, and the lower part includes methods based on PrLMs. ELECTRA is our implemented baseline.

Model	R ₄ @1	R ₄ @2	MRR
<i>On Leaderboard</i>			
RoBERTa	0.713	0.892	0.836
DRRC-1	0.771	0.914	0.869
RoBERTa+	0.825	0.953	0.904
RoBERTa+OCN	0.867	0.958	0.926
UMN	0.870	0.973	0.930
RoBERTa++	0.903	0.976	0.947
UGC�	0.915	0.983	0.954
<i>In Literature</i>			
SMN	0.264	0.524	0.578
DAM	0.261	0.520	0.645
BERT	0.514	0.787	0.715
ELECTRA	0.900	0.979	0.946
MDFN	0.916	0.984	0.956

Table 3: Results on MuTual dataset.

Aggregation (DUA) (Zhang et al. 2018), Interaction-over-Interaction (IoI) (Tao et al. 2019b) have been stated in Section 2.1. Besides, Multi-Representation Fusion Network (MRFN) (Tao et al. 2019a) matches context and response with multiple types of representations. Multi-hop Selector Network (MSN) (Yuan et al. 2019) utilizes a multi-hop selector to filter necessary utterances and match among them.

• **PrLMs-based models:** BERT (Devlin et al. 2019), RoBERTa (Liu et al. 2019), ELECTRA (Clark et al. 2019) have been stated in Section 2.1. Besides, Option Comparison Network (OCN) (Ran et al. 2019) is involved, which compares the options before matching response and contexts.³

4.4 Evaluation Metrics

Following the previous work (Lowe et al. 2015; Wu et al. 2017), we calculate the proportion of true positive response among the top- k selected responses from the list of n available candidates for one context, denoted as $R_n@k$. Besides, additional conventional metrics of information retrieval are employed on Douban: Mean Average Precision (MAP) (Baeza-Yates, Ribeiro-Neto et al. 1999), Mean Reciprocal Rank (MRR) (Voorhees et al. 1999), and precision

³On the leaderboard of MuTual, since some work is not publicly available, we will not introduce here.

Model	R@1	R@2	MRR
ELECTRA	0.903	0.980	0.948
+ UA-Mask	0.909	0.973	0.949
+ SA-Mask	0.913	0.977	0.953
+ MDFN	0.923	0.979	0.958
- BiGRU + Max-Pool	0.909	0.982	0.951
- BiGRU + Mean-Pool	0.911	0.980	0.952

Table 4: Ablation study on MuTual dev sets. ‘‘UA’’ means utterance-aware, and ‘‘SA’’ means speaker-aware.

#Decoupling	1	2	3	4	5
R@1	0.923	0.909	0.910	0.913	0.911
R@2	0.979	0.974	0.974	0.976	0.978
MRR	0.958	0.950	0.950	0.952	0.951

Table 5: Influence of the number of Decoupling Blocks.

at position 1 (P@1).

4.5 Results

Tables 2-3 show the results on four datasets. Our model outperforms other models in most metrics. Generally, the previous models based on multi-turn matching network perform worse than simple PrLMs-based ones, illustrating the power of contextualized representations in context-sensitive dialogue modeling. PrLM can perform even better when equipped with MDFN, verifying the effectiveness of our model, where utterance-aware and speaker-aware information can be better exploited. In particular, our model surpasses the previous SOTA SA-BERT model on most datasets, which is augmented by extra domain adaptation strategies to conduct language model pre-training on in-domain dialogue corpus before fine-tuning on tasks. In addition, MDFN also ranks the best on the MuTual leaderboard.⁴

5 Analysis

5.1 Ablation Study

Since our model decouples information to utterance-aware and speaker-aware channels, and uses BiGRU to learn a

⁴<https://nealclly.github.io/MuTual-leaderboard/>

#BiGRU Layer	1	2	3	4	5
R@1	0.923	0.906	0.912	0.901	0.903
R@2	0.979	0.974	0.980	0.979	0.973
MRR	0.958	0.949	0.952	0.946	0.946

Table 6: Influence of the number of BiGRU layers.

Fusing Method	R@1	R@2	MRR
MDFN	0.923	0.979	0.958
-Gate	0.914	0.975	0.952
-Original Info	0.918	0.980	0.955
-Gate	0.910	0.981	0.951

Table 7: Influence of fusing methods.

channel-aware dialogue representation from the sequence of utterance representations. We wonder the effect of two channels and whether BiGRU can be replaced to simple pooling. We perform an ablation study on MuTual dev sets as shown in Table 4. Results show that each part is essentially necessary. The most important part is speaker-aware information, since speaker role transition is an essential feature in multi-party dialogues. Then it comes to BiGRU, revealing the strength of BiGRU when modeling a short sequence.

5.2 Number of Decoupling Layers

Inspired by the stacked manner of Transformer (Vaswani et al. 2017), we have also done a study on the effects of stacked decoupling layers. The results are shown on Table 5, where we can see only one layer is enough and better than deeper. This can be explained that a deeper decoupling module is harder to learn and only one interaction is enough.

5.3 Number of BiGRU Layers

To see whether a deeper BiGRU will be beneficial to the modeling of a dialogue representation from the sequence of utterance representations, we have conducted experiments on the number of BiGRU layers. As shown in Table 6, a deeper BiGRU causes a big drop on **R@1** metric, showing that for a short sequence which is already contextualized, shallow BiGRU is enough.

5.4 Effects of Fusing Methods

To fuse the complementary information inside one channel, we can use gate to decide their preservation ratio. Another intuitive way is just using a simple fully-connected layer to fuse them directly instead of calculating the ratio. And our gate calculation considers the original word representations as shown in Equation (2). Here, we explore the effects of whether using gate or whether considering original information. The results are shown in Table 7. We can see the gate mechanism is necessary because the two kinds of information are inherently complementary. Besides, since decoupling information can be seen as a transformation from original information, the original one can be a good reference while gate ratio calculating.

Aggregating Method	R@1	R@2	MRR
Max-Pooling	0.923	0.979	0.958
Mean-Pooling	0.911	0.975	0.951
CNN	0.916	0.974	0.953
CNN-Multi	0.902	0.974	0.946

Table 8: Influence of the Aggregating Methods. CNN uses filter of size 3, and CNN-Multi combines filters of size 2, 3, 4, which is similar to (Kim 2014).

PrLMs	R@1		R@2		MRR	
	Single	+MDFN	Single	+MDFN	Single	+MDFN
BERT_{base}	0.653	0.684	0.860	0.871	0.800	0.818
RoBERTa_{base}	0.709	0.731	0.886	0.898	0.833	0.846
ELECTRA_{base}	0.762	0.813	0.916	0.928	0.865	0.893
BERT_{large}	0.691	0.726	0.879	0.901	0.822	0.844
RoBERTa_{large}	0.834	0.845	0.952	0.953	0.908	0.914
ELECTRA_{large}	0.906	0.923	0.977	0.979	0.949	0.958

Table 9: Performances of single PrLM and with MDFN.

5.5 Effects of Aggregating Methods

To aggregate the word representations in one utterance, we can use simple global pooling. And another widely used method is Convolution Neural Network (CNN). Deeper CNN can capture a wide scope of receptive field, making it successful in Computer Vision (Simonyan and Zisserman 2014) and Text Classification (Kim 2014). We have also compared different aggregating methods on MuTual dev set as shown in Table 8, we can see max-pooling is better than mean-pooling, since it can preserve some activated signals, removing the disturbance of less important signals. However, the two CNN-based methods perform worse than max-pooling, especially that with multiple filter sizes. This can be explained that shared filters between different sentences is not flexible enough and cannot generalize well.

5.6 Effects of Underlying Pre-trained Models

To test the generality of the benefits our MDFN to other PrLMs, we alter the underlying PrLMs to other variants in different sizes or types. As shown in Table 9, we see that our MDFN is generally effective to the widely-used PrLMs.

6 Conclusion

In this paper, we propose a novel and simple Maked-based Decoupling-Fusing Network (MDFN), which decouples the utterance-aware and speaker-aware information, tackling the problem of role transition and noisy distant texts. Experiments on four retrieval-based multi-turn dialogue datasets show the superiority over existing methods. The ablation study of different sub-modules explains the effectiveness and relative importance of them. Our work reveals a way to make better use of the semantically rich contextualized representations from pre-trained language models and gives insights on how to combine the traditional RNN models with powerful transformer-based models. In the future, we will research further on other NLP tasks using a similar framework of MDFN to test its universality.

References

- Agarap, A. F. 2018. Deep learning using rectified linear units (relu). *arXiv preprint arXiv:1803.08375* .
- Baeza-Yates, R.; Ribeiro-Neto, B.; et al. 1999. *Modern information retrieval*, volume 463. ACM press New York.
- Clark, K.; Luong, M.-T.; Le, Q. V.; and Manning, C. D. 2019. ELECTRA: Pre-training Text Encoders as Discriminators Rather Than Generators. In *International Conference on Learning Representations*.
- Cui, L.; Wu, Y.; Liu, S.; Zhang, Y.; and Zhou, M. 2020. Mutual: A Dataset for Multi-Turn Dialogue Reasoning. In *Proceedings of the 58th Annual Meeting of the Association for Computational Linguistics*, 1406–1416.
- Devlin, J.; Chang, M.-W.; Lee, K.; and Toutanova, K. 2019. BERT: Pre-training of Deep Bidirectional Transformers for Language Understanding. In *Proceedings of the 2019 Conference of the North American Chapter of the Association for Computational Linguistics: Human Language Technologies, Volume 1 (Long and Short Papers)*, 4171–4186.
- Gu, J.-C.; Li, T.; Liu, Q.; Ling, Z.-H.; Su, Z.; Wei, S.; and Zhu, X. 2020. Speaker-aware bert for multi-turn response selection in retrieval-based chatbots. In *Proceedings of the 29th ACM International Conference on Information & Knowledge Management*, 2041–2044.
- Henderson, M.; Vulić, I.; Gerz, D.; Casanueva, I.; Budzianowski, P.; Coope, S.; Spithourakis, G.; Wen, T.-H.; Mrkšić, N.; and Su, P.-H. 2019. Training neural response selection for task-oriented dialogue systems. In *Proceedings of the 57th Annual Meeting of the Association for Computational Linguistics*, 5392–5404.
- Hochreiter, S.; and Schmidhuber, J. 1997. Long short-term memory. *Neural computation* 9(8): 1735–1780.
- Hua, K.; Feng, Z.; Tao, C.; Yan, R.; and Zhang, L. 2020. Learning to Detect Relevant Contexts and Knowledge for Response Selection in Retrieval-based Dialogue Systems. In *Proceedings of the 29th ACM International Conference on Information & Knowledge Management*, 525–534.
- Kim, Y. 2014. Convolutional neural networks for sentence classification. *arXiv preprint arXiv:1408.5882* .
- LeCun, Y.; Bottou, L.; Bengio, Y.; and Haffner, P. 1998. Gradient-based learning applied to document recognition. *Proceedings of the IEEE* 86(11): 2278–2324.
- Li, F.-L.; Qiu, M.; Chen, H.; Wang, X.; Gao, X.; Huang, J.; Ren, J.; Zhao, Z.; Zhao, W.; Wang, L.; et al. 2017. Alime assist: An intelligent assistant for creating an innovative e-commerce experience. In *Proceedings of the 2017 ACM on Conference on Information and Knowledge Management*, 2495–2498.
- Li, L.; Li, C.; and Ji, D. 2020. Deep context modeling for multi-turn response selection in dialogue systems. *Information Processing & Management* 102415.
- Li, Z.; He, S.; Zhao, H.; Zhang, Y.; Zhang, Z.; Zhou, X.; and Zhou, X. 2019a. Dependency or span, end-to-end uniform semantic role labeling. *Proceedings of the AAAI Conference on Artificial Intelligence* 33: 6730–6737.
- Li, Z.; Wang, R.; Chen, K.; Utiyama, M.; Sumita, E.; Zhang, Z.; and Zhao, H. 2019b. Data-dependent gaussian prior objective for language generation. In *International Conference on Learning Representations*.
- Li, Z.; Wang, R.; Chen, K.; Utiyama, M.; Sumita, E.; Zhang, Z.; and Zhao, H. 2020. Explicit Sentence Compression for Neural Machine Translation. *Proceedings of the AAAI Conference on Artificial Intelligence* 34(05): 8311–8318.
- Li, Z.; Zhao, H.; and Parnow, K. 2020. Global Greedy Dependency Parsing. *Proceedings of the AAAI Conference on Artificial Intelligence* 34(05): 8319–8326.
- Liu, Y.; Ott, M.; Goyal, N.; Du, J.; Joshi, M.; Chen, D.; Levy, O.; Lewis, M.; Zettlemoyer, L.; and Stoyanov, V. 2019. RoBERTa: A robustly optimized bert pretraining approach. *arXiv preprint arXiv:1907.11692* .
- Loshchilov, I.; and Hutter, F. 2018. Decoupled weight decay regularization. In *International Conference on Learning Representations*.
- Lowe, R.; Pow, N.; Serban, I.; and Pineau, J. 2015. The ubuntu dialogue corpus: A large dataset for research in unstructured multi-turn dialogue systems. In *Proceedings of the 16th Annual Meeting of the Special Interest Group on Discourse and Dialogue*, 285–294.
- Mou, L.; Men, R.; Li, G.; Xu, Y.; Zhang, L.; Yan, R.; and Jin, Z. 2015. Natural language inference by tree-based convolution and heuristic matching. *arXiv preprint arXiv:1512.08422* .
- Ran, Q.; Li, P.; Hu, W.; and Zhou, J. 2019. Option comparison network for multiple-choice reading comprehension. *arXiv preprint arXiv:1903.03033* .
- Serban, I. V.; Sordoni, A.; Bengio, Y.; Courville, A.; and Pineau, J. 2016. Building end-to-end dialogue systems using generative hierarchical neural network models. In *Proceedings of the Thirtieth AAAI Conference on Artificial Intelligence*, 3776–3783.
- Shang, L.; Lu, Z.; and Li, H. 2015. Neural responding machine for short-text conversation. In *Proceedings of the 53rd Annual Meeting of the Association for Computational Linguistics and the 7th International Joint Conference on Natural Language Processing (Volume 1: Long Papers)*, 1577–1586.
- Shen, L.; and Feng, Y. 2020. CDL: Curriculum Dual Learning for Emotion-Controllable Response Generation. In *Proceedings of the 58th Annual Meeting of the Association for Computational Linguistics*, 556–566.
- Shum, H.-Y.; He, X.-d.; and Li, D. 2018. From Eliza to XiaoIce: challenges and opportunities with social chatbots. *Frontiers of Information Technology & Electronic Engineering* 19(1): 10–26.
- Simonyan, K.; and Zisserman, A. 2014. Very deep convolutional networks for large-scale image recognition. *arXiv preprint arXiv:1409.1556* .
- Su, H.; Shen, X.; Zhang, R.; Sun, F.; Hu, P.; Niu, C.; and Zhou, J. 2019. Improving multi-turn dialogue modelling

- with utterance ReWriter. In *Proceedings of the 57th Annual Meeting of the Association for Computational Linguistics*, 22–31.
- Tan, M.; Santos, C. d.; Xiang, B.; and Zhou, B. 2015. Lstm-based deep learning models for non-factoid answer selection. *arXiv preprint arXiv:1511.04108*.
- Tao, C.; Wu, W.; Xu, C.; Hu, W.; Zhao, D.; and Yan, R. 2019a. Multi-representation fusion network for multi-turn response selection in retrieval-based chatbots. In *Proceedings of the Twelfth ACM International Conference on Web Search and Data Mining*, 267–275.
- Tao, C.; Wu, W.; Xu, C.; Hu, W.; Zhao, D.; and Yan, R. 2019b. One time of interaction may not be enough: Go deep with an interaction-over-interaction network for response selection in dialogues. In *Proceedings of the 57th Annual Meeting of the Association for Computational Linguistics*, 1–11.
- Vaswani, A.; Shazeer, N.; Parmar, N.; Uszkoreit, J.; Jones, L.; Gomez, A. N.; Kaiser, Ł.; and Polosukhin, I. 2017. Attention is all you need. In *Advances in neural information processing systems*, 5998–6008.
- Voorhees, E. M.; et al. 1999. The TREC-8 question answering track report. In *Trec*, volume 99, 77–82.
- Wang, B.; Zhao, D.; Lioma, C.; Li, Q.; Zhang, P.; and Simonsen, J. G. 2019. Encoding word order in complex embeddings. In *International Conference on Learning Representations*.
- Whang, T.; Lee, D.; Lee, C.; Yang, K.; Oh, D.; and Lim, H. 2019. Domain adaptive training bert for response selection. *arXiv preprint arXiv:1908.04812*.
- Wu, Y.; Wu, W.; Xing, C.; Zhou, M.; and Li, Z. 2017. Sequential matching network: A new architecture for multi-turn response selection in retrieval-based chatbots. In *Proceedings of the 55th Annual Meeting of the Association for Computational Linguistics (Volume 1: Long Papers)*, 496–505.
- Xu, Y.; Zhao, H.; and Zhang, Z. 2021. Topic-aware multi-turn dialogue modeling. In *The Thirty-Fifth AAI Conference on Artificial Intelligence (AAAI-21)*.
- Yuan, C.; Zhou, W.; Li, M.; Lv, S.; Zhu, F.; Han, J.; and Hu, S. 2019. Multi-hop selector network for multi-turn response selection in retrieval-based chatbots. In *Proceedings of the 2019 Conference on Empirical Methods in Natural Language Processing and the 9th International Joint Conference on Natural Language Processing (EMNLP-IJCNLP)*, 111–120.
- Zhang, S.; Zhao, H.; Wu, Y.; Zhang, Z.; Zhou, X.; and Zhou, X. 2020a. DCMN+: Dual co-matching network for multi-choice reading comprehension. *Proceedings of the AAI Conference on Artificial Intelligence* 34(05): 9563–9570.
- Zhang, Z.; Chen, K.; Wang, R.; Utiyama, M.; Sumita, E.; Li, Z.; and Zhao, H. 2020b. Neural Machine Translation with Universal Visual Representation. In *International Conference on Learning Representations*. URL <https://openreview.net/forum?id=Byl8hhNYPS>.
- Zhang, Z.; Huang, Y.; and Zhao, H. 2019. Open Vocabulary Learning for Neural Chinese Pinyin IME. In *Proceedings of the 57th Annual Meeting of the Association for Computational Linguistics (ACL 2019)*, 1584–1594.
- Zhang, Z.; Li, J.; Zhu, P.; Zhao, H.; and Liu, G. 2018. Modeling Multi-turn Conversation with Deep Utterance Aggregation. In *Proceedings of the 27th International Conference on Computational Linguistics*, 3740–3752.
- Zhang, Z.; Wu, Y.; Li, Z.; and Zhao, H. 2019. Explicit Contextual Semantics for Text Comprehension. *Proceedings of the 33rd Pacific Asia Conference on Language, Information and Computation (PACLIC 33)*.
- Zhang, Z.; Wu, Y.; Zhao, H.; Li, Z.; Zhang, S.; Zhou, X.; and Zhou, X. 2020c. Semantics-aware BERT for language understanding. In *the Thirty-Fourth AAI Conference on Artificial Intelligence (AAAI-2020)*.
- Zhang, Z.; Wu, Y.; Zhou, J.; Duan, S.; Zhao, H.; and Wang, R. 2020d. SG-Net: Syntax-Guided Machine Reading Comprehension. In *Proceedings of the Thirty-Fourth AAI Conference on Artificial Intelligence*.
- Zhang, Z.; Yang, J.; and Zhao, H. 2021. Retrospective Reader for Machine Reading Comprehension. In *The Thirty-Fifth AAI Conference on Artificial Intelligence (AAAI-21)*.
- Zhang, Z.; Zhao, H.; and Wang, R. 2020. Machine Reading Comprehension: The Role of Contextualized Language Models and Beyond. *arXiv preprint arXiv:2005.06249*.
- Zhao, X.; Wu, W.; Xu, C.; Tao, C.; Zhao, D.; and Yan, R. 2020. Knowledge-Grounded Dialogue Generation with Pre-trained Language Models. In *Proceedings of the 2020 Conference on Empirical Methods in Natural Language Processing (EMNLP)*, 3377–3390.
- Zheng, Z.; Yue, X.; Huang, S.; Chen, J.; and Birch, A. 2020. Toward Making the Most of Context in Neural Machine Translation. In *Proceedings of the Twenty-Ninth International Joint Conference on Artificial Intelligence*, 3983–3989.
- Zhou, J.; Zhang, Z.; Zhao, H.; and Zhang, S. 2020. LIMIT-BERT: Linguistic informed multi-task bert. In *Findings of the Association for Computational Linguistics: EMNLP 2020*, 4450–4461. Association for Computational Linguistics.
- Zhou, X.; Li, L.; Dong, D.; Liu, Y.; Chen, Y.; Zhao, W. X.; Yu, D.; and Wu, H. 2018. Multi-turn response selection for chatbots with deep attention matching network. In *Proceedings of the 56th Annual Meeting of the Association for Computational Linguistics (Volume 1: Long Papers)*, 1118–1127.
- Zhu, P.; Zhang, Z.; Li, J.; Huang, Y.; and Zhao, H. 2018. Lingke: a Fine-grained Multi-turn Chatbot for Customer Service. In *Proceedings of the 27th International Conference on Computational Linguistics: System Demonstrations*, 108–112.
- Zhu, P.; Zhao, H.; and Li, X. 2020. Dual multi-head co-attention for multi-choice reading comprehension. *arXiv preprint arXiv:2001.09415*.