

Sisyphus: A Cautionary Tale of Using Low-Degree Polynomial Activations in Privacy-Preserving Deep Learning

Karthik Garimella, Nandan Kumar Jha, Brandon Reagen
New York University
{kg2383, nj2049, bjr5}@nyu.edu

ABSTRACT

Privacy concerns in client-server machine learning have given rise to private inference (PI), where neural inference occurs directly on encrypted inputs. PI protects clients’ personal data and the server’s intellectual property. A common practice in PI is to use garbled circuits to compute nonlinear functions privately, namely ReLUs. However, garbled circuits suffer from high storage, bandwidth, and latency costs. To mitigate these issues, PI-friendly polynomial activation functions have been employed to replace ReLU. In this work, we ask: Is it feasible to substitute all ReLUs with low-degree polynomial activation functions for building deep, privacy-friendly neural networks? We explore this question by analyzing the challenges of substituting ReLUs with polynomials, starting with simple drop-and-replace solutions to novel, more involved replace-and-retrain strategies. We examine the limitations of each method and provide commentary on the use of polynomial activation functions for PI. We find all evaluated solutions suffer from the *escaping activation* problem: forward activation values inevitably begin to expand at an exponential rate away from stable regions of the polynomials, which leads to exploding values (NaNs) or poor approximations.

1 INTRODUCTION

The growing adoption of Machine Learning as a Service (MLaaS) [22] has given rise to privacy concerns of clients’ personal data and the intellectual property (i.e., trained models) of service providers. To address these concerns, techniques such as different privacy [1, 12], federated learning [4, 26], secure enclaves [11, 53], homomorphic encryption (HE) [14], and multiparty computation (MPC) [48] aim to prevent both the server from accessing the client’s sensitive data and the client from learning the server’s model. One area of study within privacy-preserving machine learning (PPML) attempts to perform inference directly on encrypted data using either HE [16, 37, 47] or MPC-based techniques such as Secret Sharing (SS) [6, 7, 36, 40, 41, 44–46]. Common PI protocols employ HE/SS for processing linear operations (e.g., convolutions and fully connected layers) and garbled circuits for nonlinear operations (e.g., ReLU and maxpool) [23, 24, 31, 32, 34, 43].

Garbled circuits are a major source of inefficiency when performing PI for the following reasons: (1) in PI, unlike plaintext inference, ReLU garbled circuits dominate the runtime and can be orders of magnitude more costly than linear layers computed with SS [15, 34]; (2) a single ReLU operation using garbled circuits requires 17.5 KB of data storage and communication, and a single inference on state-of-the-art DNNs (such as ResNet50 [18]) requires millions of ReLU computations that leads to hundreds of GiB of data storage and communication [43]. These inefficiencies exist for variants of ReLU such as leaky ReLU [33], parametric ReLU

Table 1: Effectiveness of polynomial activations proposed for ciphertext training/inference on MNIST, CIFAR-10 (C10), CIFAR-100 (C100), and Tiny-ImageNet (Tiny) datasets. * denotes the full ImageNet dataset.

Method	Degree	Partial/Full	Datasets			
			MNIST	C10	C100	Tiny
CryptoNet [16]	2	Full	Y	N	N	N
Lookup Table [52]	2	Full	Y	N	N	N
Polyfit [5]	2, 4, 6	Full	Y	N	N	N
SecureML [37]	2	Full	Y	N	N	N
FCryptoNet [9]	2	Full	Y	Y	N	N
CryptoDL [20]	2, 3	Full	Y	Y	N	N
HCNN [2]	2	Full	Y	Y	N	N
DELPHI [34]	2	Partial	Y	Y	Y	N
SAFENet [32]	2, 3	Partial	N	Y	Y	N
PreciseApprox [30]	29	Full	N	Y	N	Y*
QuaIL (Ours)	2	Full	Y	Y	Y	Y

[17], RReLU [54], CReLU [49], and the recently proposed DY-ReLU [8]. Furthermore, storage and latency costs of GCs are exacerbated when used to compute more expressive and complex activation functions such as ELU [10], SELU [25], Swish [42], GELU [19] and Mish [35].

The aforementioned challenges and inefficiencies of nonlinear computations using garbled circuits have driven researchers to design alternative activation functions that are cheaper to compute under PI. In particular, polynomial functions, which require only simple addition and multiplication, eliminate the need for garbled circuits and have become the de-facto solution for replacing ReLUs in neural networks. In fact, replacing all ReLUs with x^2 (denoted Quad here) can reduce online latency and communication dramatically by up to 2843× and 256×, respectively [34].

Table 1 summarizes prior work using polynomial activation functions for PI. The partial/full distinction indicates whether the solution replaces some or all ReLU activations with polynomials. We find that prior work can be classified into three categories: full replacement using small datasets/models (e.g., MNIST [29], CIFAR-10 [27]) [2, 5, 9, 16, 20, 37, 52], partial replacement on mid-sized models (e.g., CIFAR-100) [32, 34], and full-replacement on large models using very-high degree approximations [30]. Each of the solutions significantly advanced our understanding of the problem and the capabilities of PI. However, none have demonstrated full replacement on large datasets/models using low-degree polynomials, which we believe is the ideal solution.

In this paper, we set out to replace all ReLUs with low-degree polynomials. Specifically, we test two drop-and-replace solutions (Taylor Approximation and Polynomial Regression Approximation) and develop two novel replace-and-retrain strategies (QuaIL and

QuaIL+ApproxMinMax) on a wide range of networks and datasets. Our contribution can be summarized as follows:

- (1) We propose Quadratic Imitation Learning (QuaIL), a training setup inspired by dynamic programming to gradually build neural networks with only polynomial activations and introduce ApproxMinMaxNorm, a normalization strategy that bounds pre-activation values during training and approximately bounds pre-activation values during inference.
- (2) We implement and release Sisyphus, a set of methods for wholesale ReLU replacement that range from simple drop-and-replace solutions to replace-and-retrain strategies.
- (3) We develop and rigorously evaluate four substitution strategies using the Sisyphus framework and perform an in-depth analysis of their efficacy for deep networks. Crucially, we show that the instabilities of performing both inference and training with polynomial activation functions become more prominent in deeper neural networks and may not be observed in shallower networks.

As we increase the complexity of the replacement strategy we steadily progress towards training deeper, more accurate, PI-friendly networks using only low-degree polynomial activations. Despite our best efforts, we fall short of matching baseline ReLU network performance due to the *escaping activation* problem: in all solutions, forward-pass activation values inevitably escape the well-behaving range of the polynomial activation function, leading to either exploding values (NaNs) or poor-behaving approximations.

Looking beyond QuaIL+ApproxMinMax (QuaIL+AMM), it may be tempting to evaluate additional solutions. One way to overcome the escaping activation problem in QuaIL would be to bound the range. However, this requires a max function, which if we had, we could simply use to compute ReLU in our networks. Recent work proposed the Pade Activation Unit (PAU), a rational function of two low-degree polynomials that performs well on complex datasets [38]. Unfortunately, the division operation required by PAUs is not natively supported by cryptographic primitives of HE/SS and is known to be a challenge to implement. Another recent work has proposed approximating ReLU and max-pooling using very-high (e.g., 29) degree polynomials and reports competitive accuracy for ImageNet [30]. However, high-degree polynomials can be difficult to evaluate using cryptographic solutions as they would introduce significant additional computation in both SS and HE as well as noise growth in HE. Thus, we name this paper and our framework Sisyphus, as each time a promising solution was evaluated we incur a fundamental limitation that brought us back to square one.

2 METHODOLOGY

We test the Sisyphus framework on the MNIST, CIFAR-10, CIFAR-100, and TinyImageNet [55] datasets and test each substitution strategy over a wide variety of networks: AlexNet [28], VGG11/VGG16 [50], ResNet18, MobileNetV1 [21], and ResNet32 [18]. We develop and test our framework using PyTorch [39] (1.8.1+CUDA11.1), and for performing Bayesian Optimization during Polynomial Regression Approximation, we utilize GPyTorch [13], and BoTorch [3]. All code for this paper is available online¹.

¹See: <https://github.com/kvgarimella/sisyphus-ppml>

3 SOLUTIONS AND RESULTS

In this section we present the solutions evaluated for replacing *all* ReLUs with polynomial activation functions, including Taylor series approximation, polynomial regression, QuaIL, and QuaIL+AMM.

3.1 Drop-and-Replace

3.1.1 Taylor Series Approximation.

Key Idea: A simple approach to approximating ReLU as a polynomial is to use the Taylor Approximation. The Taylor approximation estimates a differentiable function, f , as a polynomial centered around point a (we choose $a = 0$). This approximation is constructed using high-order derivatives, and in the case of ReLU, all high-order derivative terms in the Taylor approximation vanish as the second derivative of ReLU is 0 everywhere, resulting in a simple approximation: $\text{ReLU}(x) \approx \frac{1}{2}x$.

Setup: First, a baseline ReLU model is trained. We then replace all ReLUs in the trained networks with the Taylor approximation and measure the test accuracy for the network’s respective dataset.

Results: As evident in Table 2, the test accuracy deteriorates significantly for all networks except for the two layer MLP, which sees a dip in test accuracy from 97.98% (using ReLU) to 86.28% (using the Taylor approximation) on MNIST. Given that the Taylor approximation for ReLU is a simple linear function ($f(x) = \frac{1}{2}x$), we expect deeper networks to perform poorly when using the approximation as an activation function.

Takeaway: Using the Taylor approximation of ReLU collapses each network to a linear model, which restricts the network from representing the non-linear mappings required to achieve a high predictive performance on deeper networks and complex datasets.

3.1.2 Polynomial Regression Approximation.

Key Idea: A natural extension of the Taylor approximation is to approximate ReLU using a polynomial over a range rather than a single point. The polynomial fit to a function f has the form $\hat{f}(x) = \vec{w} \cdot \vec{x}$, where $\vec{x} = (1, x^1, x^2, \dots, x^D)$ and D is the order of the polynomial. Polynomial regression can be employed to fit a polynomial function to any non-linear function by minimizing the mean squared error between the approximation and the target function f over a range $[-a, a]$ and order D . For example if the target function is ReLU, optimal coefficients w_0, w_1, \dots, w_D can be found by minimizing

$$E(\vec{w}) = \int_{-a}^a \left(\sum_{d=0}^D w_d x^d - \text{ReLU}(x) \right)^2 dx. \quad (1)$$

Setup: To find \vec{w} that minimizes Equation 1, we first discretize the integral using a granularity of $dx = 1e^{-3}$. The polynomial fit heavily depends upon the order of the polynomial (D) and the range (a) over which Equation 1 is minimized. To this end, we employ Bayesian Optimization (BayesOpt) to efficiently select effective values for D and a [51]. To accommodate a variety of polynomials, we choose the range a to vary between $[0.5, 50]$ and the order of the polynomial to vary over integer values between $[2, 9]$.

Given a setting of $\{D, a\}$, a ReLU approximation is found using polynomial regression. All ReLUs in the original trained network are then replaced with the approximation and we measure the *training* accuracy. BayesOpt uses this accuracy to iteratively update

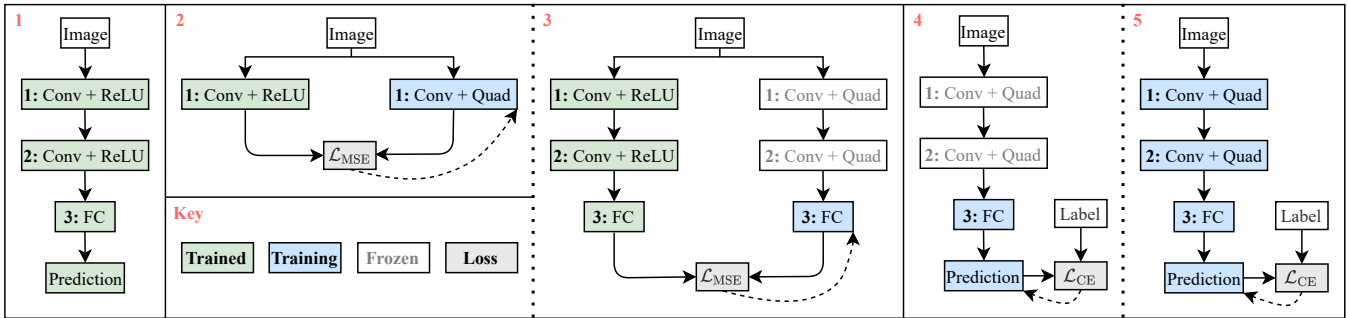


Figure 1: An overview of the QuaIL setup for a simple three-layer network. 1) Train a baseline network with the ReLU activation function. 2) Clone the first layer of the ReLU network, copy over the trained weights, and replace ReLU with Quad. Minimize the M.S.E. loss between the first-layer intermediate representations of the two networks and backpropagate through the Quad network. 3) Repeat this process for each subsequent layer (while freezing the previous layers) until the full baseline network is cloned. 4-5) Fine-tune the Quad network by gradually unfreezing layers and training with standard C.E. Loss.

its probabilistic model and find well performing values of a and D . We run BayesOpt for 50 iterations (10 random values to seed the probabilistic model and 40 optimized values) for each network and dataset. Finally, we replace all ReLUs in each network with the most accurate polynomial fit and measure the test accuracy.

Result: Table 2 displays the test accuracy for evaluating each network using the polynomial activation function produced by BayesOpt. Evaluating networks using non-linear polynomials introduces unbounded forward activations that compound exponentially with network depth, which we call *escaping activations*. Especially for deeper networks, it is possible to generate forward activation values that overflow their floating point representations, which results in a NaN. We consider output logits that contain NaN values to be incorrect predictions. For this reason, two accuracies are presented in some rows of the polynomial regression experiments. Accuracies in parenthesis represent the test accuracy when only considering inputs that do not overflow in forward activation values. Using polynomial regression, we are able to progress to a high accuracy on LeNet, a five-layer network.

Takeaway: Simply replacing all ReLUs with accurate polynomial approximations that are both low-degree and non-linear fails to work for most deeper networks due to the *escaping activation* problem in which forward activation values grow exponentially, leading to instability in inference.

3.2 Replace-and-Retrain

3.2.1 Quadratic Imitation Learning (QuaIL).

Key Idea: The escaping activation problem encountered when using the polynomial regression strategy was directly caused by the compounding use of polynomials in deeper networks. Specifically, after each pass through the polynomial activation, the output *intermediate representation values* began to grow exponentially. Following several layers (several passes through the polynomial activations), the intermediate representation values escaped the well-behaving regions of the polynomials and resulted in exploding values (NaNs). The escaping nature of intermediate representations suggests to elevate from simple drop-and-replace strategies to replace-and-retrain strategies which mitigate the escaping activation problem. Rather than attempting to train a network with polynomial activations end-to-end by minimizing the loss between

ground truth and predictions, Quadratic Imitation Learning (QuaIL) iteratively builds and trains a neural network with polynomial activations by mimicking the intermediate representation values of a trained ReLU network. Similar to dynamic programming, QuaIL attempts to first solve a sub-problem by mimicking intermediate representation values of a well-behaving network before adding additional layers to a network using polynomial activations. In QuaIL, the polynomial activation function is set to $f(x) = x^2$ (Quad).

Setup: Figure 1 depicts the QuaIL training process. First, a ReLU baseline network is trained using standard supervised learning techniques (Fig. 1.1). Then, the first layer of the ReLU network is duplicated and the layer’s ReLUs are replaced with Quad. Here, the Quad network is trained by minimizing the Mean Square Error (M.S.E.) between the first-layer intermediate representations of both networks (Fig. 1.2). In this way, the single-layer Quad network learns to predict similar first-layer representations as the ReLU network. After training converges to a low M.S.E. between the two intermediate representations, the Quad network’s first-layer weights are frozen and the second layer of the ReLU network is cloned and stacked onto the Quad network. Again, ReLU is replaced by Quad for the second layer. Similar to the first layer, the Quad network now minimizes the M.S.E. between the second-layer representations of both networks. This process is repeated until the final layer of the ReLU network has been added to the Quad network and the error between the final representations is minimized (Fig. 1.3).

At this stage, the Quad network is trained using standard supervised learning while gradually unfreezing shallower layers. In the image classification setting, the Cross Entropy (C.E.) loss is minimized between ground truth labels and predictions (Fig. 1.4- 1.5).

Result: QuaIL further extends our progress of building deep, PI-friendly networks to AlexNet and VGG11 on the CIFAR-10, CIFAR-100, and TinyImageNet datasets. Each of these networks that *only uses the* Quad activation function are built up iteratively to limit the effect of *escaping activations*. However, QuaIL fails to generalize to even deeper networks as even a small difference in the intermediate representations at earlier stages of the deeper networks propagate forward leading to *escaping activations* and causing training to diverge (denoted as – in Table 2).

Takeaway: QuaIL allows us to iteratively build deep (up to 11-layer) networks with only the Quad activation function but fails to

Table 2: Accuracy when all ReLUs in the networks are substituted with Taylor series approximation (T-Approx.), polynomial regression approximation (Poly-Reg.), QuaIL, and QuaIL+AMM on CIFAR-10/100 (C-10/100) and TinyImageNet (Tiny) datasets.

Dataset-Net	Baseline	T-Approx.	Poly-Reg.	QuaIL	QuaIL+AMM
MNIST-MLP	97.98	86.28	97.88	98.20	98.17
MNIST-LeNet	99.32	9.81	99.14	99.45	99.26
C10-AlexNet	85.47	12.90	1.28 (71.11)	79.94	79.32
C10-VGG11	90.46	13.68	8.49 (82.83)	82.19	82.85
C10-VGG16	92.78	16.01	13.31 (87.57)	—	82.25 (82.63)
C10-ResNet18	93.21	1.00	13.64	—	83.61 (85.72)
C10-MobileNetV1	91.70	11.04	11.13	10.00	48.03 (49.45)
C10-ResNet32	91.72	26.96	90.48 (90.62)	—	56.93 (71.81)
C100-AlexNet	60.98	1.73	21.51 (31.8)	54.83	50.76
C100-VGG11	68.36	1.88	3.74	52.08	55.53
C100-VGG16	71.44	1.74	0.94 (52.81)	—	54.56 (55.03)
C100-ResNet18	74.39	1.00	1.00	—	65.17 (66.30)
C100-MobileNetV1	65.00	1.00	25.8	—	0.92 (01.09)
C100-ResNet32	67.83	4.28	66.31	—	19.86 (28.58)
Tiny-AlexNet	51.65	0.51	1.70 (8.98)	38.95	36.24
Tiny-VGG11	55.36	0.66	0.5	37.59	44.63 (44.68)
Tiny-VGG16	58.88	0.45	00.56 (3.07)	—	45.76 (46.47)
Tiny-ResNet18	61.59	0.50	0.5	—	49.45 (53.82)
Tiny-MobileNetV1	56.16	0.76	0.46	—	13.43 (22.75)
Tiny-ResNet32	54.77	2.04	47.55	—	7.16 (10.60)

mitigate unstable intermediate representations for even deeper networks and thus still suffers from *escaping activations*. For example, a ResNet18 network trained using the QuaIL setup experiences exploding gradients due to escaping activations in latter intermediate representations and is unable to converge during training.

3.2.2 Approximate MinMax Normalization.

Key Idea: The escaping activation problem encountered during QuaIL illustrates the need to bound pre-activation values to train networks using low-degree polynomial activation functions, especially for deeper neural networks. To do this we developed Approximate Min-Max Normalization (ApproxMinMaxNorm), which places upper and lower constraints on pre-activation values during training by performing a dimension-wise Min-Max normalization:

$$\hat{x} = \alpha \frac{x - \min x}{\max x - \min x} - \beta \quad (2)$$

where α and β are scaling parameters. During the training phase, approximations of minimums and maximums are calculated and stored using a weighted moving average of the true minimums and maximums (we use a smoothing factor of 1/10). When performing inference, these stored approximations are then used to perform approximate normalization.

Setup: ApproxMinMaxNorm is combined with the QuaIL training procedure; when building the Quad network, ReLU is replaced by an ApproxMinMaxNorm layer immediately followed by Quad.

Result: We observe stable training for *all* networks and datasets using QuaIL+AMM. However, at inference time, when using the approximated values of the minimums and maximums for each layer, we again detect the escaping activation problem, albeit to a less degree when compared to the drop-and-replace polynomial regression strategy.

Takeaway: ApproxMinMaxNorm prevents the *escaping activation* problem at training time by explicitly bounding the pre-activation values to polynomial activations. However, the escaping activation

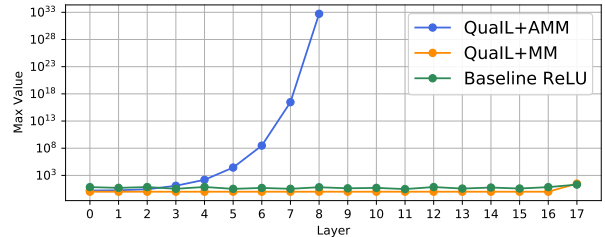


Figure 2: Comparison of maximum forward activation values after each nonlinear layer at inference time using QuaIL+AMM (ApproxMinMax), QuaIL+MM (TrueMinMax), and an all-ReLU baseline ResNet18.

problem returns during inference due to approximate minimum and maximum calculations. Thus a *true maximum function* is required at test time to guarantee bounds on pre-activation values.

4 DISCUSSION

The desirable properties of PI-friendly ReLU substitutions are: low multiplicative depth, stability over a sufficiently large range of activation values, and competitive performance when compared to networks with ReLUs. The Quad activation function has been considered a promising solution as its multiplicative depth is one and exhibits stability for simple models and datasets, e.g., MNIST [16]. However, for deeper networks and larger datasets, the desired stability range of pre-activation values increases significantly [30] and using Quad in this extended range results in imprecise approximations of ReLU and poor accuracy [5]. Consequently, higher-degree polynomials are used for more accurate approximation, but suffer from a higher multiplicative depth that results in additional computation (in SS/HE) and noise growth (HE), thus limiting their efficacy in practical settings.

To help mitigate these issues, we devised QuaIL where each layer in the Quad-network learns to mimic intermediate representations of a trained, all-ReLU network. QuaIL worked well for AlexNet and VGG11, which polynomial regression under-performed; however, it did not scale to even deeper networks. To understand why, we dug deeper and found the issue still to be *escaping activations*. That is, some intermediate representation values still began to grow unbounded. To mitigate *escaping activations* at training time, we bounded the pre-activation values inputs using an ApproxMinMax normalization strategy, which achieved reasonable accuracies for all the networks except MobileNetV1 and ResNet32. However since the maximum and minimum values were approximated at inference time, the approximation error grew in deeper layers and some activations began to explode (shown in Figure 2 as QuaIL+AMM). For a better understanding, we replaced the approximated min and max with the true min and max during inference (termed as QuaIL+MM in Figure 2) and observed that the intermediate representation values were now similar to that of the all-ReLU baseline networks.

Fundamentally, the efficacy of using low-degree polynomials for deeper networks on complex datasets boils down to bounding input values to the polynomial activations in order to mitigate *escaping activations*, which requires using exact calculations of both the minimum and maximum. However, the issue of calculating exact minimums and maximums brings us back full circle to the problem we were trying to solve: remove all ReLUs (which is defined using

maximum) to prevent the usage of garbled circuits in PI. We hope the insights gained from Sisyphus aid the PPML community in being mindful when using low-degree polynomial activations in PI-friendly networks.

ACKNOWLEDGEMENTS

This work was supported in part by the Applications Driving Architectures (ADA) Research Center, a JUMP Center co-sponsored by SRC and DARPA. This research was also developed with funding from the Defense Advanced Research Projects Agency (DARPA), under the Data Protection in Virtual Environments (DPRIVE) program, contract HR0011-21-9-0003. The views, opinions and/or findings expressed are those of the author and should not be interpreted as representing the official views or policies of the Department of Defense or the U.S. Government.

REFERENCES

- [1] Martin Abadi, Andy Chu, Ian Goodfellow, H Brendan McMahan, Ilya Mironov, Kunal Talwar, and Li Zhang. 2016. Deep learning with differential privacy. In *Proceedings of the 2016 ACM SIGSAC conference on computer and communications security*. 308–318.
- [2] Ahmad Al Badawi, Jin Chao, Jie Lin, Chan Fook Mun, Jun Jie Sim, Benjamin Hong Meng Tan, Xiao Nan, Khin Mi Mi Aung, and Vijay Ramaseshan Chandrasekhar. 2020. Towards the AlexNet Moment for Homomorphic Encryption: HCNN, the First Homomorphic CNN on Encrypted Data with GPUs. *IEEE Transactions on Emerging Topics in Computing* (2020).
- [3] Maximilian Balandat, Brian Karrer, Daniel R. Jiang, Samuel Daulton, Benjamin Letham, Andrew Gordon Wilson, and Eytan Bakshy. 2020. BoTorch: A Framework for Efficient Monte-Carlo Bayesian Optimization. In *Advances in Neural Information Processing Systems* 33.
- [4] Keith Bonawitz, Hubert Eichner, Wolfgang Grieskamp, Dzmitry Huba, Alex Ingerman, Vladimir Ivanov, Chloe Kiddon, Jakub Konečný, Stefano Mazzocchi, H Brendan McMahan, et al. 2019. Towards federated learning at scale: System design. *arXiv preprint arXiv:1902.01046* (2019).
- [5] Hervé Chabanne, Amaury de Wargny, Jonathan Milgram, Constance Morel, and Emmanuel Prouff. 2017. Privacy-Preserving Classification on Deep Neural Network. *IACR Cryptol. ePrint Arch.* 2017 (2017), 35.
- [6] Nishanth Chandran, Divya Gupta, Aseem Rastogi, Rahul Sharma, and Shardul Tripathi. 2019. EzPC: programmable and efficient secure two-party computation for machine learning. In *2019 IEEE European Symposium on Security and Privacy (EuroS&P)*. IEEE, 496–511.
- [7] Harsh Chaudhari, Ashish Choudhury, Arpita Patra, and Ajith Suresh. 2019. AS-TRA: high throughput 3pc over rings with application to secure prediction. In *Proceedings of the 2019 ACM SIGSAC Conference on Cloud Computing Security Workshop*. 81–92.
- [8] Yinpeng Chen, Xiyang Dai, Mengchen Liu, Dongdong Chen, Lu Yuan, and Zicheng Liu. 2020. Dynamic relu. In *European Conference on Computer Vision*. Springer, 351–367.
- [9] Edward Chou, Josh Beal, Daniel Levy, Serena Yeung, Albert Haque, and Li Fei-Fei. 2018. Faster cryptonets: Leveraging sparsity for real-world encrypted inference. *arXiv preprint arXiv:1811.09953* (2018).
- [10] Djork-Arné Clevert, Thomas Unterthiner, and Sepp Hochreiter. 2015. Fast and accurate deep network learning by exponential linear units (elus). *arXiv preprint arXiv:1511.07289* (2015).
- [11] Victor Costan and Srinivas Devadas. 2016. Intel sgx explained. *IACR Cryptol. ePrint Arch.* 2016, 86 (2016), 1–118.
- [12] Cynthia Dwork. 2006. Differential privacy. In *International Colloquium on Automata, Languages, and Programming*. Springer, 1–12.
- [13] Jacob R Gardner, Geoff Pleiss, David Bindel, Kilian Q Weinberger, and Andrew Gordon Wilson. 2018. Gpytorch: Blackbox matrix-matrix gaussian process inference with gpu acceleration. *arXiv preprint arXiv:1809.11165* (2018).
- [14] Craig Gentry et al. 2009. *A fully homomorphic encryption scheme*. Stanford university.
- [15] Zahra Ghodsi, Akshaj Kumar Veldanda, Brandon Reagen, and Siddharth Garg. 2020. CryptoNAS: Private Inference on a ReLU Budget. In *Advances in Neural Information Processing Systems*, Vol. 33. 16961–16971.
- [16] Ran Gilad-Bachrach, Nathan Dowlin, Kim Laine, Kristin Lauter, Michael Naehrig, and John Wernsing. 2016. Cryptonets: Applying neural networks to encrypted data with high throughput and accuracy. In *International Conference on Machine Learning*. 201–210.
- [17] Kaiming He, Xiangyu Zhang, Shaoqing Ren, and Jian Sun. 2015. Delving deep into rectifiers: Surpassing human-level performance on imagenet classification. In *Proceedings of the IEEE international conference on computer vision*. 1026–1034.
- [18] Kaiming He, Xiangyu Zhang, Shaoqing Ren, and Jian Sun. 2016. Deep residual learning for image recognition. In *Proceedings of the IEEE conference on computer vision and pattern recognition*. 770–778.
- [19] Dan Hendrycks and Kevin Gimpel. 2016. Gaussian error linear units (gelus). *arXiv preprint arXiv:1606.08415* (2016).
- [20] Ehsan Hesamifard, Hassan Takabi, and Mehdi Ghasemi. 2017. Cryptodl: Deep neural networks over encrypted data. *arXiv preprint arXiv:1711.05189* (2017).
- [21] Andrew G Howard, Menglong Zhu, Bo Chen, Dmitry Kalenichenko, Weijun Wang, Tobias Weyand, Marco Andreetto, and Hartwig Adam. 2017. Mobilenets: Efficient convolutional neural networks for mobile vision applications. *arXiv preprint arXiv:1704.04861* (2017).
- [22] Tyler Hunt, Congzheng Song, Reza Shokri, Vitaly Shmatikov, and Emmett Witchel. 2018. Chiron: Privacy-preserving machine learning as a service. *arXiv preprint arXiv:1803.05961* (2018).
- [23] Nandan Kumar Jha, Zahra Ghodsi, Siddharth Garg, and Brandon Reagen. 2021. DeepReDuce: ReLU Reduction for Fast Private Inference. In *International Conference on Machine Learning*.
- [24] Chiraa Juvkar, Vinod Vaikuntanathan, and Anantha Chandrakasan. 2018. GAZELLE: A Low Latency Framework for Secure Neural Network Inference. In *27th USENIX Security Symposium (USENIX Security 18)*. 1651–1669.
- [25] Günter Klambauer, Thomas Unterthiner, Andreas Mayr, and Sepp Hochreiter. 2017. Self-normalizing neural networks. In *Proceedings of the 31st international conference on neural information processing systems*. 972–981.
- [26] Jakub Konečný, H Brendan McMahan, Felix X Yu, Peter Richtárik, Ananda Theertha Suresh, and Dave Bacon. 2016. Federated learning: Strategies for improving communication efficiency. *arXiv preprint arXiv:1610.05492* (2016).
- [27] Alex Krizhevsky, Vinod Nair, and Geoffrey Hinton. 2010. Cifar-10 (canadian institute for advanced research). URL <http://www.cs.toronto.edu/kriz/cifar.html> 5 (2010).
- [28] Alex Krizhevsky, Ilya Sutskever, and Geoffrey E Hinton. 2012. Imagenet classification with deep convolutional neural networks. *Advances in neural information processing systems* 25 (2012), 1097–1105.
- [29] Yann LeCun, Corinna Cortes, and CJ Burges. 2010. MNIST handwritten digit database. *ATT Labs [Online]*. Available: <http://yann.lecun.com/exdb/mnist> 2 (2010).
- [30] Junghyun Lee, Eunsang Lee, Joon-Woo Lee, Yongjune Kim, Young-Sik Kim, and Jong-Seon No. 2021. Precise Approximation of Convolutional Neural Networks for Homomorphically Encrypted Data. *arXiv preprint arXiv:2105.10879* (2021).
- [31] Jian Liu, Mika Juuti, Yao Lu, and N Asokan. 2017. Oblivious neural network predictions via miniomn transformations. In *Proceedings of the 2017 ACM SIGSAC Conference on Computer and Communications Security*. 619–631.
- [32] Qian Lou, Yilin Shen, Hongxia Jin, and Lei Jiang. 2021. SAFENet: ASecure, ACCURATE AND FAST NEURAL NETWORK INFERENCE. *International Conference on Learning Representations* (2021).
- [33] Andrew L Maas, Awni Y Hannun, Andrew Y Ng, et al. 2013. Rectifier nonlinearities improve neural network acoustic models. In *International Conference on Machine Learning*.
- [34] Pratyush Mishra, Ryan Lehmkuhl, Akshayaram Srinivasan, Wenting Zheng, and Raluca Ada Popa. 2020. DELPHI: A Cryptographic Inference Service for Neural Networks. In *29th USENIX Security Symposium (USENIX Security 20)*.
- [35] Diganta Misra. 2019. Mish: A self regularized non-monotonic neural activation function. *arXiv preprint arXiv:1908.08681* 4 (2019), 2.
- [36] Payman Mohassel and Peter Rindal. 2018. ABY3: A mixed protocol framework for machine learning. In *Proceedings of the 2018 ACM SIGSAC Conference on Computer and Communications Security*. 35–52.
- [37] Payman Mohassel and Yupeng Zhang. 2017. SecureML: A system for scalable privacy-preserving machine learning. In *2017 IEEE Symposium on Security and Privacy (SP)*. 19–38.
- [38] Alejandro Molina, Patrick Schramowski, and Kristian Kersting. 2020. Padé Activation Units: End-to-end Learning of Flexible Activation Functions in Deep Networks. In *International Conference on Learning Representations*.
- [39] Adam Paszke, Sam Gross, Francisco Massa, Adam Lerer, James Bradbury, Gregory Chanan, Trevor Killeen, Zeming Lin, Natalia Gimelshein, Luca Antiga, et al. 2019. Pytorch: An imperative style, high-performance deep learning library. *Advances in neural information processing systems* 32 (2019), 8026–8037.
- [40] Arpita Patra and Ajith Suresh. 2020. BLAZE: blazing fast privacy-preserving machine learning. *arXiv preprint arXiv:2005.09042* (2020).
- [41] Rahul Rachuri and Ajith Suresh. 2019. Trident: Efficient 4pc framework for privacy preserving machine learning. *arXiv preprint arXiv:1912.02631* (2019).
- [42] Prajit Ramachandran, Barret Zoph, and Quoc V Le. 2017. Searching for activation functions. *arXiv preprint arXiv:1710.05941* (2017).
- [43] Deevashwer Rathee, Mayank Rathee, Nishant Kumar, Nishanth Chandran, Divya Gupta, Aseem Rastogi, and Rahul Sharma. 2020. CryptFlow2: Practical 2-party secure inference. In *Proceedings of the 2020 ACM SIGSAC Conference on Computer and Communications Security*. 325–342.

- [44] M Sadegh Riazi, Mohammad Samragh, Hao Chen, Kim Laine, Kristin Lauter, and Farinaz Koushanfar. 2019. XONN: XNOR-based Oblivious Deep Neural Network Inference. In *28th USENIX Security Symposium (USENIX Security 19)*, 1501–1518.
- [45] M Sadegh Riazi, Christian Weinert, Oleksandr Tkachenko, Ebrahim M Songhori, Thomas Schneider, and Farinaz Koushanfar. 2018. Chameleon: A hybrid secure computation framework for machine learning applications. In *Proceedings of the 2018 on Asia Conference on Computer and Communications Security*. ACM, 707–721.
- [46] Biti Darvish Rouhani, M Sadegh Riazi, and Farinaz Koushanfar. 2018. Deepsecure: Scalable provably-secure deep learning. In *Proceedings of the 55th Annual Design Automation Conference*. 2.
- [47] Amartya Sanyal, Matt Kusner, Adria Gascon, and Varun Kanade. 2018. TAPAS: Tricks to accelerate (encrypted) prediction as a service. In *International Conference on Machine Learning*. PMLR, 4490–4499.
- [48] Adi Shamir. 1979. How to share a secret. *Commun. ACM* 22, 11 (1979), 612–613.
- [49] Wenling Shang, Kihyuk Sohn, Diogo Almeida, and Honglak Lee. 2016. Understanding and improving convolutional neural networks via concatenated rectified linear units. In *international conference on machine learning*. PMLR, 2217–2225.
- [50] Karen Simonyan and Andrew Zisserman. 2014. Very deep convolutional networks for large-scale image recognition. *arXiv preprint arXiv:1409.1556* (2014).
- [51] Jasper Snoek, Hugo Larochelle, and Ryan P Adams. 2012. Practical Bayesian Optimization of Machine Learning Algorithms. (2012), 2951–2959.
- [52] Patricia Thaine, Sergey Gorbunov, and Gerald Penn. 2019. Efficient evaluation of activation functions over encrypted data. In *2019 IEEE Security and Privacy Workshops (SPW)*. IEEE, 57–63.
- [53] Florian Tramer and Dan Boneh. 2018. Slalom: Fast, verifiable and private execution of neural networks in trusted hardware. *arXiv preprint arXiv:1806.03287* (2018).
- [54] Bing Xu, Naiyan Wang, Tianqi Chen, and Mu Li. 2015. Empirical evaluation of rectified activations in convolutional network. *arXiv preprint arXiv:1505.00853* (2015).
- [55] Leon Yao and John Miller. 2015. Tiny imagenet classification with convolutional neural networks. *CS 231N* 2, 5 (2015), 8.