

# Deep Learning methods for automatic evaluation of delayed enhancement-MRI. The results of the EMIDEC challenge.

Alain Lalande<sup>a,b,1,\*</sup>, Zhihao Chen<sup>c,1</sup>, Thibaut Pommier<sup>d</sup>, Thomas Decourselle<sup>e</sup>, Abdul Qayyum<sup>a</sup>, Michel Salomon<sup>c</sup>, Dominique Ginjac<sup>a</sup>, Youssef Skandarani<sup>a</sup>, Arnaud Boucher<sup>a</sup>, Khawla Brahim<sup>a,f,g</sup>, Marleen de Bruijne<sup>h,i,j</sup>, Robin Camarasa<sup>h,i</sup>, Teresa M. Correia<sup>k,l</sup>, Xue Feng<sup>m</sup>, Kibrom B. Girum<sup>a</sup>, Anja Hennemuth<sup>n,o,p</sup>, Markus Huellebrand<sup>n,o</sup>, Raabid Hussain<sup>a</sup>, Matthias Ivantsits<sup>n</sup>, Jun Ma<sup>q</sup>, Craig Meyer<sup>m</sup>, Rishabh Sharma<sup>r,s</sup>, Jixi Shi<sup>c</sup>, Nikolaos V. Tsekos<sup>s</sup>, Marta Varela<sup>t</sup>, Xiyue Wang<sup>u</sup>, Sen Yang<sup>v</sup>, Hannu Zhang<sup>n</sup>, Yichi Zhang<sup>w</sup>, Yuncheng Zhou<sup>x</sup>, Xiahai Zhuang<sup>x</sup>, Raphael Couturier<sup>c</sup>, Fabrice Meriaudeau<sup>a</sup>

<sup>a</sup>ImViA laboratory, University of Burgundy, Dijon, France

<sup>b</sup>MRI department, University Hospital of Dijon, Dijon, France

<sup>c</sup>Femto-ST laboratory, University of Franche-Comté, Belfort, France

<sup>d</sup>Cardiology department, University Hospital of Dijon, Dijon, France

<sup>e</sup>CASIS Company, Quetigny, France

<sup>f</sup>National Engineering School of Sousse, University of Sousse, Sousse, Tunisia

<sup>g</sup>LASEE laboratory, National Engineering School of Monastir, University of Monastir, Monastir, Tunisia

<sup>h</sup>Biomedical Imaging Group Rotterdam, Erasmus MC, Rotterdam, The Netherlands

<sup>i</sup>Department of Radiology and Nuclear Medicine, Erasmus MC, Rotterdam, The Netherlands

<sup>j</sup>Department of Computer Science, University of Copenhagen, Copenhagen, Denmark

<sup>k</sup>Centre of Marine Sciences, University of Algarve, Faro, Portugal

<sup>l</sup>School of Biomedical Engineering and Imaging Sciences, King's College London, London, The United Kingdom

<sup>m</sup>Department of Biomedical Engineering, University of Virginia, Charlottesville, The United States

<sup>n</sup>Charité – Universitätsmedizin Berlin, Berlin, Germany

<sup>o</sup>Fraunhofer MEVIS, Bremen, Germany

<sup>p</sup>German Centre for Cardiovascular Research, Berlin, Germany

<sup>q</sup>Department of Mathematics, Nanjing University of Science and Technology, Nanjing, China

<sup>r</sup>Data Analysis and Intelligent Systems Lab, Department of Computer Science, University of Houston, Houston, The United States

<sup>s</sup>Medical Robotics and Imaging Lab, Department of Computer Science, University of Houston, Houston, The United States

<sup>t</sup>National Heart and Lung Institute, Imperial College London, London, The United Kingdom

<sup>u</sup>College of Computer Science, Sichuan University, Chengdu, China

<sup>v</sup>College of Biomedical Engineering, Sichuan University, Chengdu, China

<sup>w</sup>School of Biological Science and Medical Engineering, Beihang University, Beijing, China

<sup>x</sup>School of Data Science, Fudan University, Shanghai, China

---

## Abstract

A key factor for assessing the state of the heart after myocardial infarction (MI) is to measure whether the myocardium segment is viable after reperfusion or revascularization therapy. Delayed enhancement-MRI or DE-MRI, which is performed several minutes after injection of the contrast agent, provides high contrast between viable and nonviable myocardium and is therefore a method of choice to evaluate the extent of MI. To automatically assess myocardial status, the results of the EMIDEC challenge that focused on this task are presented in this paper. The challenge's main objectives were twofold. First, to evaluate if deep learning methods can distinguish between normal and pathological cases. Second, to automatically calculate the extent of myocardial infarction. The publicly available database consists of 150 exams divided into 50 cases with normal MRI after injection of a contrast agent and 100 cases with myocardial infarction (and then with a hyperenhanced area on DE-MRI), whatever their inclusion in the cardiac emergency department. Along with MRI, clinical characteristics are also provided. The obtained results issued from several works show that the automatic classification of an exam is a reachable task (the best method providing an accuracy of 0.92), and the automatic segmentation of the myocardium is possible. However, the segmentation of the diseased area needs to be improved, mainly due to the small size of these areas and the lack of contrast with the surrounding structures.

**Keywords:** DE-MRI, Myocardium, Infarction, CNN

---

## 1. Introduction

Myocardial infarction (MI) can be defined as myocardial cell death secondary to prolonged ischemia. One crucial parameter to estimate the prognosis after myocardial injury and then to evaluate the state of the heart after MI is the viability of the considered segment, *i.e.* if the segment recovers its functionality upon revascularization. From cardiac MRI, the viability can be evaluated thanks to the assessment of left ventricular end-diastolic wall thickness, the evaluation of contractile reserve, and the extent and the transmural nature of the infarction evaluated from delayed-enhancement MRI (DE-MRI) ([37, 25]). DE-MRI is a powerful predictor of myocardial viability after coronary artery surgery, suggesting an important role for this technique in clinical viability assessment ([39]).

A preliminary challenge organized in 2012 ([23]) has been already dedicated to the automatic processing of DE-MRI. This challenge showed promising results, but also indicated that some improvements should be done for potential use in clinical practice. The published dataset was rather small (including fifteen human and fifteen porcine pathological cases), did not target a specific disease and no clinical data were associated.

As part of the Emidec challenge (automatic Evaluation of Myocardial Infarction from Delayed-Enhancement Cardiac MRI, <http://emidec.com/>) organized during the MICCAI conference in 2020, the objective of our paper is first to compare the latest methodological developments in image processing, in particular deep learning approaches such as convolutional neural network (CNN), to automatically segment the DE-MRI exams (including normal and pathological cases with myocardial infarction and with or without persistent microvascular obstruction (PMO)), and secondly, thanks to the images and associated clinical data, to automatically classify the exams as normal or pathological. One of the main strengths of our database is the association of clinical data with DE-MRI, simulating the routine workflow in emergency departments.

## 2. Materials and Methods

### 2.1. DE-MRI and clinical information

The EMIDEC dataset contains patients admitted in cardiac emergency department with symptoms of a heart attack. This dataset is composed of 150 patients, each of which with a MRI exam and the associated clinical characteristics. The exam is a conventional one acquired at the University Hospital of Dijon (France) and done to study the left ventricle in case of symptoms of heart attack and is compound of kinetic and DE-MR images. For the DE-MRI, the images are acquired roughly 10 minutes after the injection of a gadolinium-based contrast agent. A series of short axis slices cover the left ventricle from the base to the apex, allowing the accurate evaluation of the extent of myocardial infarction. The pixel spacing is between  $1.25 \times 1.25 \text{ mm}^2$  and  $2 \times 2 \text{ mm}^2$  (according to the patient), with a slice thickness of 8 mm and an image gap of 10 mm. The shift among slices due to the patient’s breath hold was corrected and all the slices for one exam had been aligned according to the gravity centre of the epicardium. Along with the MRI, clinical and patient information were also recorded. Acquired data were fully anonymized and handled within the regulations set by the local ethical committee. As the data were collected retrospectively, and as the data are completely untraceable, for the French law, and for the staff of the ethical committee of the University Hospital of Dijon, it was not necessary to undergo the process of applying for an ethical approval number. In particular, concerning the images, using the NIfTi format, all the administrative information included in the header was discarded. Moreover, the clinical information is not specific enough to retrieve a patient. The patient features are characterised in Table 1 ([27]). A patient was considered overweight when the body mass index (BMI) is higher than 25. The history of coronary artery disease is positive if there is a previous acute cardiac event. The study of the electrocardiogram (ECG) allows classifying the heart attack as STEMI (ST-elevation myocardial infarction) type or not. STEMI-like myocardial infarction is the most serious type of heart attack, which is characterized by a long interruption of blood supply. A troponin

test measures the levels of troponin T or troponin I proteins in the blood. These proteins are released during a myocardial infarction. Another biological marker is the NT-pro-brain natriuretic peptide (NT-proBNP) measured in venous blood, and it is an indicator for the diagnosis of heart failure ([7]). The left ventricular ejection fraction (LVEF) is calculated in the emergency department from echocardiography during the reception of the patient. Finally, The Killip max corresponds to the maximum Killip score, which is a classification based on the physical examination of patients with possible acute MI ([24]).

## 2.2. Dataset and contests

The overall dataset consists of 150 exams, with 100 cases for the training (67 pathological cases and 33 normal cases, where ground truths are provided) and 50 cases for the testing (33 pathological cases, 17 normal cases). Each exam is divided into two parts, a DE-MRI exam composed of a series of short-axis slices and the associated clinical information ([27]). For each image, the contours of the myocardium, as well as the contours of the infarcted area and the PMO areas, if present, are considered as the ground truths, allowing the calculation of the main clinical metrics considering the whole slices for one exam. Tissue characteristics according to the manual annotations can be found in Table 2. Along with MRI, the clinical and physiological characteristics are provided. The EMIDEC challenge contains two independent contests: the segmentation challenge and the classification challenge. The goal of the segmentation contest is to compare the performance of automatic methods on the segmentation of the myocardium for all the DE-MRI exams, as well as the segmentation of the myocardial infarction and PMO areas on exams classified as pathological ones. The goal of the classification contest is to classify the exams as normal or pathological, according to the clinical data with or without the DE-MRI exams (two sub-challenges). In order to avoid any bias between the two contests, the order of the cases is different in the testing set, and moreover, new cases were randomly added (and similarly some were removed) for the classification contest.

## 2.3. Evaluation metrics

For the segmentation contest, the clinical metrics are the most widely used in cardiac clinical practice, *i.e.* the average errors for the volume of the myocardium of the left ventricle (in  $\text{cm}^3$ ), the volume (in  $\text{cm}^3$ ) and the percentages of MI and PMO. The geometrical metrics are the average Dice index for the different areas and the Hausdorff distance (in 3D) for the myocardium. For each metric, a ranking is done, and the final ranking consists of the sum of the ranking for each metric. To better evaluate the segmentation results of the PMO, the case-wise and slice-wise accuracies are additionally calculated, but were not taken into account for the challenge ranking. For the classification contest, only classification accuracy was used.

## 3. Evaluated architectures

### 3.1. Segmentation contest

The main objective of the segmentation contest is to automatically provide the contours of the myocardium on each slice, as well as the delineation of the diseased areas.

#### 3.1.1. Image preprocessing and data augmentation

To ensure that semantic information in DE-MRI can be efficiently interpreted by the segmentation models, some challengers employed adaptive image preprocessings on the raw MR images. For example, image normalization aims at correcting the heterogeneous intensity between cases. [47] and [8] applied the Z-score normalization on each slice with the following formula:

$$z = \frac{x - \mu}{\sigma} \quad (1)$$

where  $z$  is the pixel intensity after the Z-score normalization,  $\mu$  the mean intensity at the level of the MR slice and  $\sigma$  the standard deviation of the slice intensity. Normalized images have a grey level distribution with zero mean and unit standard deviation so that the inter-case intensity distribution is uniform.

Exams have some slight inconsistencies in the plane dimensions. In order to ensure a uniform input shape of the predictive models, challengers processed the

Table 1: Characteristics of the patient features for pathological and non-pathological cases.

Patient feature	Non-pathological subjects(n=50)	Pathological subjects(n=100)
Sex	38 females and 12 males	23 females and 77 males
Age	66 ± 14 years	59 ± 12 years
Tobacco (yes, no, former smoker)	18%, 22%, 60%	44%, 21%, 35%
Overweight <sup>1</sup>	62%	53%
Arterial hypertension	58%	31%
Diabetes	20%	10%
History of coronary artery disease	4%	12%
ECG (ST elevation)	30%	80%
Troponin (ng per mL)	7.68 ± 12.91	101.04 ± 101.35
Killip max (1,2,3,4)	76%, 22%, 2%, 0%	83%, 12%, 2%, 3%
LVEF <sup>2</sup> (percentage)	49.62 ± 13.49%	47.74 ± 13.17%
NTProBNP <sup>3</sup> (pg per mL)	2136 ± 3696	1314 ± 2109

<sup>1</sup> If BMI > 25.

<sup>2</sup> Left Ventricular Ejection Fraction, calculated from transthoracic echocardiography.

<sup>3</sup> N-terminal pro-B-type natriuretic peptide.

Table 2: DE-MRI evaluations of pathological and non-pathological cases according to the manual annotations. This table lists the characteristics of different tissues in the DE-MRI for the whole dataset.

Tissue	Non-pathological subjects (n=50)			Pathological subjects (n=100)		
	Volume (cm <sup>3</sup> ) <sup>1</sup>	PIM (%) <sup>2</sup>	Presence (%) <sup>3</sup>	Volume (cm <sup>3</sup> )	PIM (%)	Presence (%)
Myocardium	96.32±22.07	-	-	119.28±32.28	-	-
Left ventricular cavity	83.32±25.27	-	-	128.87±48.17	-	-
Myocardial infarction <sup>4</sup>	0	0	0	23.55±19.28	18.25±11.52	100 (79.78)
PMO	0	0	0	2.34±5.14	1.65±3.03	51 (23.27)

<sup>1</sup> Absolute tissue volume per case.

<sup>2</sup> Percentage of Infarcted Myocardium. This index is reserved for myocardial infarction and PMO.

<sup>3</sup> Percentage of cases where tissue is present, while the value in brackets gives the percentage of slices.

<sup>4</sup> The PMO is included.

plane dimensions of the input data differently. The first type of method is cropping, *e.g.* [8] cropped a fixed size in the centre of each slice. In addition to the cropping, a linear interpolation was also performed to resize the images to a uniform shape ([4]). Besides the processing on the slice shape, some challengers also interpolated the image to have a consistent pixel spacing. Thanks to the alignment of the slices according to the gravity center of the epicardium, no additional preprocessing concerning the relative inter-slice position is needed if a 3D predictive model is employed by the challengers.

The amount of training data directly affects the performance of supervised models. A reasonable data augmentation method can equivalently expand the size of the training set. [4] performed rotations, elastic deformations, and flips on slices to randomly produce supplementary training data while [8] forced the model to ignore the specificity for different orientation features by the rotations only. [30] adjusted the original semantic information by adding stochastic noise, applying k-space corruption, small image rotations, intensity scalings, and smooth non-rigid deformations. [51] proposed another data augmentation method that was based on the mix-up strategy ([49]). The mix-up strategy constructs virtual training examples as follows:

$$\tilde{x} = \lambda x_i + (1 - \lambda)x_j \quad (2)$$

$$\tilde{y} = \lambda y_i + (1 - \lambda)y_j \quad (3)$$

where  $x_i$  and  $x_j$  are raw input vectors,  $y_i$  and  $y_j$  are one-hot label encodings,  $\tilde{x}$  and  $\tilde{y}$  is the pair of artificially created data.  $\lambda$  is a coefficient belonging to  $[0, 1]$ . Based on this approach, Zhou et al. made a targeted improvement to make the generated images closer to a blend of two adjacent images. The proposed mix-up formula for the MRI augmentation is:

$$\tilde{x} = \lambda x_i + (1 - \lambda)Tx_j \quad (4)$$

where  $T$  denotes an affine transformation, and accordingly the similar formula for the mask data augmentation. Given the greater focus on the ROI (Region Of Interest corresponding to the myocardium), the affine transformation  $T$  tries to fit the transformation from the foreground area (LV+Myocardium) in

a randomly chosen slice  $x_i$  to the foreground area in another randomly chosen slice  $x_j$ . In the affine transformation, the scaling factor, *i.e.* the linear map is  $[s, s]^T$  where  $s = l^i/l^j$ ,  $l^i$  and  $l^j$  are the average distance from the foreground pixels to the foreground center for the slice  $i$  and the slice  $j$ , respectively. The translation offset is  $[c_x^i - c_x^j, c_y^i - c_y^j]^T$  where  $c_x$  and  $c_y$  denote the coordinates of the foreground area centre. Thus, the matrix of  $T$  is:

$$\begin{pmatrix} s & 0 & c_x^i - s \cdot c_x^j \\ 0 & s & c_y^i - s \cdot c_y^j \\ 0 & 0 & 1 \end{pmatrix} \quad (5)$$

### 3.1.2. Segmentation frameworks

Challengers employed segmentation frameworks with a different number of stages. Most of the challengers first delineated the myocardium (endocardial and epicardial borders) and then segmented the different myocardial tissues in the ROI corresponding to the myocardium with another model in a second step. Other challengers proposed one-stage models to obtain an end-to-end segmentation of all the target tissues. [50] proposed the cascaded 2D-3D framework where the 2D-model’s receptive field was limited to intra-slice for preliminary segmentation, then the cascaded 3D-model took the 2D preliminary segmentation mask and the whole volume for the fine segmentation. This conception aims at restricting the impact of intra-slice heterogeneity and taking into account the volumetric information for the more accurate segmentation. The networks’ configurations are inspired by nnUnet ([21]). Figure 1 shows the architecture of the cascaded two-stage framework. [4] also employed a usual two-stage segmentation pipeline but the scar segmentation was uncertainty-based: the ROI segmented by the first model passed through a probabilistic Auto-Encoder using Monte-Carlo dropout. The generated uncertainty map corresponding to the segmented ROI by the Auto-Encoder was then fed into the second model for the scar segmentation. This proposal was intended to assess whether the method could increase the attention on rare examples that are otherwise poorly segmented.

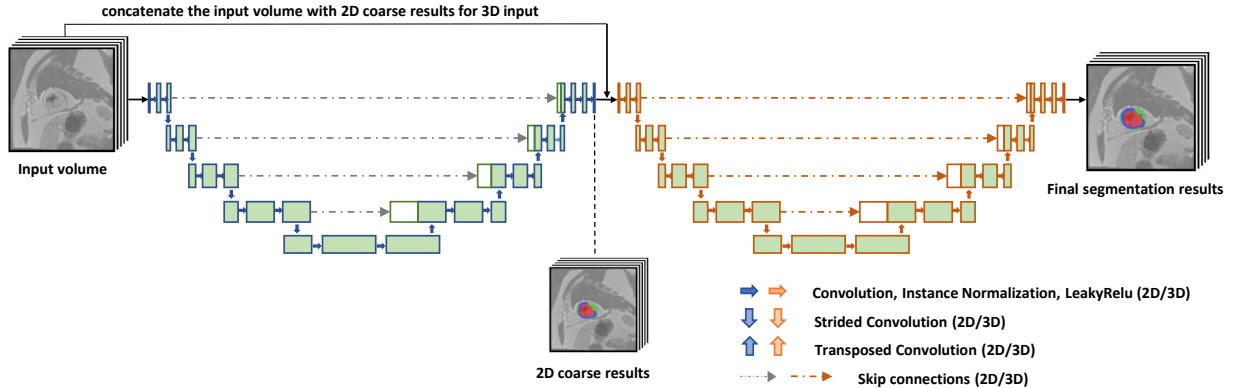


Figure 1: Cascaded 2D-3D framework of [50] for the myocardial tissue segmentation. The 2D network on the left performs a preliminary segmentation focusing on intra-slice information. The 3D network on the right then takes the MRI and the obtained segmentation mask as its input.

### 3.1.3. U-Net-based encoding-decoding models

The semantic image segmentation task can be usually treated with encoding-decoding models. Most challengers employed U-Net-based models ([35]) motivated by its success in many medical image segmentation work. In this subsection, the details of all the employed U-Net-based models will be introduced.

*Building blocks.* The vanilla U-Net employs the conventional convolution-pooling architecture as the basic encoding block. To better interpret the semantic information, challengers attempted with more recent blocks of CNNs. In the encoding branch, [47] and [12] applied the Squeeze-and-Excitation (SE) block ([19]) to better model the interdependencies between channels of the convolutional features. To this end, in the SE block, feature maps were first squeezed into a channel descriptor with shape  $[1, 1, \text{channel}]$  by the global average pooling. Then to fully capture the aggregated channel-wise information, a simple gating mechanism was employed with linear transformations and non-linear activation functions:

$$\mathbf{F}_{ex}(\mathbf{z}, \mathbf{W}) = \rho(\mathbf{W}_2 \delta(\mathbf{W}_1 \mathbf{z})) \quad (6)$$

where  $\mathbf{W}_1 \in \mathbb{R}^{\frac{C}{r} \times C}$  and  $\mathbf{W}_2 \in \mathbb{R}^{C \times \frac{C}{r}}$  are linear transformations,  $C$  and  $r$  are channel size and re-

duction rate,  $\delta$  refers to ReLU ([13]) and  $\rho$  refers to sigmoid activation. To finally emphasize differently the feature maps, the channel-wise multiplication was operated between the scaled squeeze-excitation scalar and the feature maps. The SE block can be combined with other convolution architectures since it aims at providing additional interdependencies between the features maps obtained from convolution blocks.

On the decoding side, Inverted Residual Blocks (IRB) were employed by [2]. The IRB has been proposed by [36] in MobileNetV2. It consists in a series of  $1 \times 1$  convolution, depth-wise  $3 \times 3$  convolution and  $1 \times 1$  convolution, and the skip connection. The IRB follows an inverse order of the feature map number comparing to the original Residual block ([14]). In IRB the network is expanded by the first  $1 \times 1$  convolution and squeezed by the second  $1 \times 1$  convolution. This conception was initially intended for lightweight network for mobile applications thanks to the reduced number of parameters of the depth-wise convolution.

Selective Kernel (SK) ([28]) was another block employed in the decoding side by [47]. The SK block aims to adaptively adjust the receptive field sizes. To enable the automatic kernel size selection, three

operators are used in SK: split, fuse, and select. The split operator creates two branches for the next operators where the first branch passes through a conventional  $3 \times 3$  convolution and another is a  $3 \times 3$  dilated convolution with a dilation size of 2. Then, in the fuse operator, a third branch is created to store the multi-kernel information. In this branch, the feature maps obtained by the split operator are first fused by element-wise summation, and then embedded by global average pooling. A fully-connected layer compacts the fused feature into a lower dimension. Finally, in the select operator, the compact feature guides the selection of different spatial scales of information for the feature maps of the first and second branches by soft attention across channels. The definitive output of the SK block is the sum of the first and second branches considering the attention weights achieved by the soft attention across channels.

In addition to the above-featured building blocks, challengers also tried other relatively more common blocks such as the residual block of the ResNet ([14]) and its aggregated variant ResNeXt ([46]), as well as the Inception module where convolutions of different receptive field interpret input features at the same time ([43]). The attention block ([31]) was also mentioned by several challengers to focus on valuable features at the skip connections and the bottleneck. The illustration of the featured building blocks can be found in Figure 2 .

Challengers also reported the use of a variety of activation functions. Like in most of the current deep learning models, the activation functions themselves are all nonlinear equations, their core functionality is to ensure that nontrivial problems can be fitted by deep neural networks. Therefore, sigmoid, rectifier (ReLU) ([13]) and its leaky variant, exponential linear (ELU) ([6]), Swish ([34]), *etc.* activation functions were employed. Figure 3 illustrates the deployed activation functions by challengers.

*Loss functions and penalizations.* The category imbalance is significant in the challenge dataset, that is, the myocardial infarction and the PMO have few instances in terms of the number of pixels as shown in Figure 2. To address this issue, challengers investi-

gated different loss functions. Cross entropy loss calculates the average of the number of bits needed between the target and the prediction masks to identify the event of the automatic segmentation. The original cross entropy loss considers equally the instances of each class. A feature that in our case study causes the category imbalance in the prediction: the neural network will tend to predict all the pixels as the background class since it is easier to describe between the label and prediction distributions with a few necessary digits. To overcome the category imbalance, the weighted cross entropy evaluates differently the prediction pixels: the pixels of minor classes will have a more important contribution to the loss. The weights for each class can be set by calculating the inverse ratio of the number of instances under each class in the training set. The categorical weighted cross entropy loss can be formulated as:

$$-\frac{1}{N} \sum_{l=1}^L w_l \sum_n r_{ln} \log(p_{ln}) \quad (7)$$

where  $r$  and  $p$  denote the target and the prediction of the pixel  $n$ ,  $l$  denotes the class, the class weight is  $w_l = 1 / \left( \sum_{n=1}^N r_{ln} \right)$  where  $N$  denotes all the images of the training set. Dice loss is another usual loss function for the segmentation task. It calculates the overlap between the target and the prediction comparing their surface. For binary segmentation, the Dice loss avoids the parameterization of weights since the randomness of the class appearance has been taken into account. However, for the multi-class task, the weights should be also calculated. The formula of the weighted multi-class Dice loss, termed as Generalized Dice ([42]) is:

$$1 - 2 \frac{\sum_{l=1}^L w_l \sum_n r_{ln} p_{ln}}{\sum_{l=1}^L w_l \sum_n r_{ln} + p_{ln}} \quad (8)$$

where the weight  $w_l$  is  $w_l = 1 / \left( \sum_{n=1}^N r_{ln} \right)^2$ . It can be observed that for the scar segmentation, the categorical cross entropy loss was weighted ([50, 47, 51]) while the multi-class Dice loss was not weighted [50, 47, 4]. To leverage the cross entropy loss and Dice loss, their combination termed Comboloss ([44])

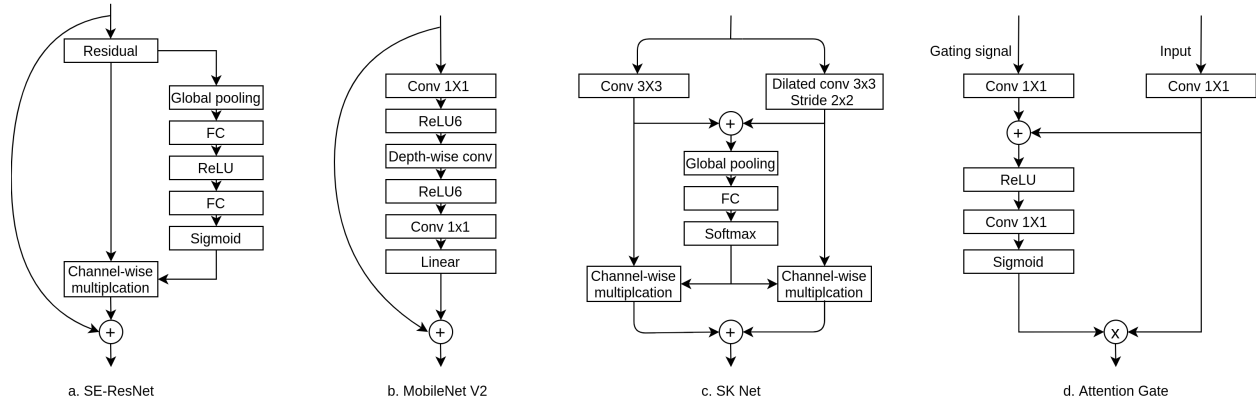


Figure 2: Featured building blocks for the segmentation networks. The conceptions come from the original papers of the challengers or slightly modified to better adapt the contest. a. SE-ResNet: the residual SE block, b. MobileNet V2: the IRB from MobileNet V2, c. SK Net: the SK module can be deployed in the encoding or decoding phases, d. Attention Gate: the attention gating from Attention U-Net should be deployed at the skip connection. The Gating signal comes from the encoding side and the input signal denotes the up-sampled features from the decoding side. The first two conv 1x1 ensure the same number of channels for the two signals of the Attention Gate.

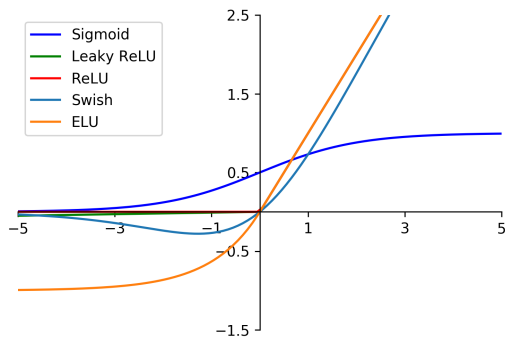


Figure 3: Deployed non-linear activation functions in the neural networks for the segmentation task.

was also practiced by many challengers ([50, 47, 12]) for the ROI or the whole tissues segmentation.

Apart from the loss functions that penalize the difference between the target and the prediction, other prior information-based penalizations were investigated by challengers. [2] applied the 3D auto-encoder as a part of the loss to refine the mask contours. The employment of the auto-encoder with the cardiac MRI was first proposed by [48] for the myocardium segmentation. In the original work, the auto-encoder learns the 2D shape prior of the myocardium since the short-axis view of the left ventricle should be a closed circle except for the extreme apical and basal slices. The auto-encoder can be thought as an annex network following the segmentation network so that the loss of the auto-encoder takes part of the back-propagation. Similarly, with reference to the prior anatomical knowledge, [51] proposed the neighborhood penalty as a weak constraint strategy. Given the fact that the PMO should be in contact with the infarction and the whole scar area should be inside the myocardium, this penalty encourages such correlated tissues to stick together.

*Inter-slice and intra-slice information.* The cardiac MR images can be considered as pseudo 3D data,



*i.e.* the voxel spacing is inconsistent between the in-plane and between planes. Challengers adopted different strategies to deal with the inter- and intra-slice information. The first one omits the inter-slice correlation, *i.e.* all the tissues are segmented from single slices whether the framework is one-stage or two-stage ([20, 12, 51, 8]). The second one only takes 3D inputs while the data format organization is different. [4] employed a 3D CNN where the convolution kernel was 3D. [47] treated multi-slice data as different channels, *i.e.* at the input layer each channel stocked one slice and the following convolutions were 2D. The major difference of the 3D data interpretation between the 3D convolution and the 2D convolution with RGB channels-like inputs is the relative positional information between the slices. The 2D convolution cannot distinct the slice order while the 3D convolution retains the inter-slice information as local vector data. The last strategy is a compromise approach ([50, 2]): the ROI or preliminary segmentation only refers to the intra-slice information and the scar or final segmentation considers both the intra- and inter-slice information. The purpose is to avoid the potential inter-slice heterogeneity for the myocardium or preliminary segmentation, and take the advantage of the inter-slice information for the scar since the recognition of different myocardial tissues relies more on their neighbouring slices.

#### 3.1.4. Mixture model for the scar segmentation

Apart from the U-Net-based models that most challengers employed, a mixture model was proposed by [20] for the scar segmentation. The application of the mixture model on the cardiac MRI was inspired by the work of [15]. The mixture model differs the scar tissues only according to the intensity distribution. The challengers trialed the mixture of a Rician and a Gaussian distribution and the mixture of Rayleigh and Gaussian distribution, and then adopted the latter which was proved better fitted to the scar tissues in the DE-MRI. Finally, inspired by [16], a watershed segmentation in high-intensity voxels was used at the inner part of the myocardium to get the segmented contours.

#### 3.1.5. Post-processing

According to prior information, challengers employed simple post-processing methods. [20] proposed a thresholding for the segmented PMO: assuming that the PMO should be in contact with the cavity or the infarction, the contours detected by morphological closing were removed from the raw segmentation of the PMO. [50] adopted another simple treatment that removed all the scattered pixels from the segmentation.

### 3.2. Classification contest

The objective of the classification contest is to classify each exam as normal or pathological, whatever the extent of the myocardial infarction.

#### 3.2.1. Basic data interpretation algorithms

Challengers employed a variety of machine learning-based algorithms to interpret the DE-MRI and the clinical features. Provided with the MRI, a simple down-sampling CNN as AlexNet ([26]) encodes the images to regression or classification outputs ([40, 41, 30]), or optionally U-Net based down-sampling up-sampling models yield the segmentation of different myocardial tissues so that the volume of each tissue can be quantified ([30, 12]).

To interpret the textual data of the clinical and physiological information, the choice of predictive models is more diverse. The common functionality is its ability to solve non-linearly separable problems. For example, the MultiLayer Perceptron (MLP) ([17]) is a feedforward artificial neural network. Inputs are passed through multiple layers in which data are mapped with non-linear activation functions in the forward stage ([22, 40]). The decision tree ([33]) and the random forest ([18]) are flow-chart-like decision models that consist of nodes ([40, 41, 22]). The random forest corrects the overfitting habit of the decision trees by training uncorrelated trees and the final decision is made by individual trees. Boosting methods are the ensemble of sequentially connected weak learners ([3]). In the context of decision trees, the gradient boosting decision trees build a series of trees, which are the weak learners in this boosting method. Errors

are passed between trees, with each tree attempting to reduce the errors passed from the previous tree ([10]) ([22]). Moreover, usual statistical models such as Support Vector Machine with non-linear kernel ([38]), k-Nearest Neighbors ([9]), the logistic regression ([32]) were investigated by challengers ([40, 12, 22]).

### 3.2.2. Data fusion and decision about the presence of myocardial infarction

The classification contest allows challengers to take advantages of both the DE-MRI and the clinical and physiological data to make the automatic decision. However, the different format and dimension between the images and the textual data constrain the decision with a single predictive model. Data fusion is therefore a challenging issue to achieve the maximum semantic information. [30], [12] and [41] deployed the same strategy of predicting the volumes of different tissues as additional textual features alongside the 12 clinical and physiological features. Nevertheless, the volume estimation and the decision making models are different among these approaches. Lourenço et al. and Girum et al. employed U-Net-based models to get the segmentation, while Shi et al. performed an encoding CNN to directly get the surface regression. Apart from the surface regression methods, the concatenation of the surface information to other textual features was also variable. Lourenço et al. added the volumes of all myocardial tissues as four additional textual features. Girum et al. only considered if the case is pathological as one additional Boolean feature and Shi et al. referred to the infarction volume as one additional numerical feature. [22] tried to interpret the DE-MRI as textual information as well. However, the obtained textual information was radiomic features ([5]) instead of the volume of the tissues. The radiomic features interpreted from the DE-MRI were intended to model the myocardial features such as the intensity, shape, and spatial characteristics. In practice, Ivantsits et al. investigated the shape and the Gray Level Co-occurrence Matrix (GLCM) that described the second-order joint probability function of an image region as the experimental radiomic features. [40] proposed a stacked multi-modal approach without obtaining intermediate data such as the in-

farct volume or the radiomics features. The classifications were first achieved by a series of statistical models and a multi-modal CNN. Then the individual classifications were fed into an MLP to get the final decision. The application of the series of classification models could be thought as a boosting method and the models inside played the role of weak classifiers since their decisions would be judged together with the CNN's output by the MLP at the end of the proposal. All the diagrams of the classification pipelines can be found in Figure 4.

## 4. Results

The results were obtained on the datasets used during the testing phase of the final challenge session.

### 4.1. Segmentation contest

Table 3 shows the key conception details of the segmentation contest challengers. In Table 4 the evaluation results of each target tissue are provided. Results reveal that the myocardium segmentation is globally satisfying while the infarction is relatively challenging to be correctly predicted. The metrics of Dice and volumes used during the challenge for the PMO segmentation may not be consistent since the PMO only represents a very small volume of the data. Indeed, a total absence of PMO on all the images seemingly provides correct results with Dice index or volumes. In contrast, the accuracy highlights the efficiency of the different methods to detect PMO areas. Moreover, segmentation results by slice position can be found in the supplementary material.

To intuitively present the state-of-the-art segmentation results and the challenges to be overcome, segmentation masks from different challengers on five typical slices are selected. Figure 5 covers the selected MRI slices and their ground truth masks, showing for each slice two well-performed segmentations and two segmentations to optimize. Here are the details:

1. Slice A is close to the apex. Therefore only a small part of the right ventricle appears in this slice (blue arrow). Methods on rows 1 and 2 successfully delineated the junction between the left and the right ventricles, while method on row

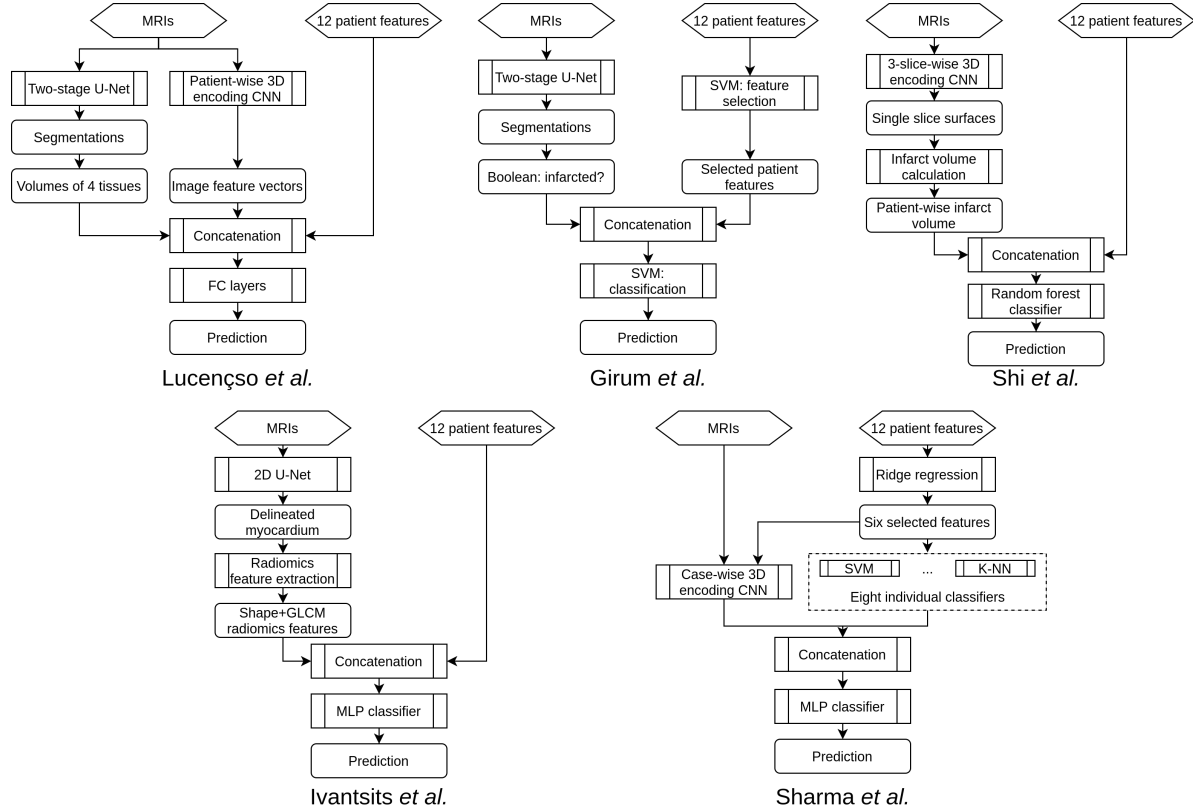


Figure 4: Proposed multi-input classification pipelines by challengers for the classification contest.

Table 3: Principal concepts of the methods for the segmentation contest.

Challenger(s)	Framework	Methods	Highlights
Brahim et al.	Two-stages	Myocardium: 2D U-Net with Attention and IRB Infarct: 3D U-Net variant	3D Auto-encoder to perfect myocardium shape
Camarasa et al.	Two-stages	Myocardium: 3D U-Net variant Infarct: 3D U-Net variant	Uncertainty myocardial area generated by probabilistic auto-encoder for infarct segmentation
Feng et al.	One-stage	2D U-Net with dilated convolution	Data augmentation with additional scar tissues
Girum et al.	Two-stages	Myocardium: 2D U-Net with SE block Infarct: 2D U-Net with SE block	Independent myocardium and infarct segmentation from non-cropped MRI
Huellebrand et al.	Two-stages	Myocardium: 2D U-Net variant Infarct: mixture model	Transfer learning with cine-MRI Post-processing with thresholding and morphological closing
Yang et al.	One-stage	2D U-Net with SE and SK blocks	RGB channel-like adjacent slices input Two decoder branches supervised by myocardium and infarct masks
Zhang	Two-stages	Preliminary: 2D U-Net variant Definitive: 3D U-Net variant	3D MRI with cascaded 2D segmentation as 3D input
Zhou et al.	One-stage	2D U-Net with Attention	Data augmentation with mix-up strategy Neighborhood penalty as neighboring loss

Table 4: Results of the segmentation contest. The metrics are given by target tissue (myocardium, infarct and PMO). The table is sorted by the general ranking of the contest, which is calculated from the nine subbranks. Best results in bold.

Challenger(s)	Myocardium			Infarction			PMO				
	Dice	Vol. Diff. (cm <sup>3</sup> )	Hausdorff (mm)	Dice	Vol. Diff. (cm <sup>3</sup> )	Pct. Diff. (%) <sup>1</sup>	Dice	Vol. Diff. (cm <sup>3</sup> )	Pct. Diff. (%) <sup>1</sup>	Acc. (case,%) <sup>2</sup>	Acc. (slice,%) <sup>2</sup>
Zhang	<b>0.879</b> ±0.027	<b>9.26</b> ±9.08	<b>13.01</b> ±8.81	<b>0.712</b> ±0.268	<b>3.12</b> ±5.15	<b>2.38</b> ±0.031	<b>0.785</b> ±0.393	<b>0.63</b> ±2.27	<b>0.38</b> ±0.012	<b>84.00</b>	<b>94.97</b>
Feng et al.	0.836±0.124	15.19±16.41	33.77±111.63	0.547±0.340	3.97±8.36	2.89±0.045	0.722±0.432	0.88±3.41	0.53±0.017	80.00	90.78
Yang et al.	0.855±0.027	16.54±10.27	13.23±6.80	0.628±0.315	5.34±7.88	4.37±0.062	0.610±0.463	1.85±3.32	1.69±0.033	76.00	81.56
Huellebrand et al.	0.841±0.051	10.87±8.53	18.3±15.74	0.379±0.296	6.17±8.36	4.93±0.059	0.523±0.483	0.95±3.00	0.64±0.015	70.00	85.75
Camarasa et al.	0.757±0.111	17.11±15.45	25.44±21.71	0.308±0.280	4.87±8.49	3.64±0.047	0.605±0.485	0.87±3.27	0.52±0.016	74.00	84.36
Zhou et al.	0.825±0.057	13.29±11.34	83.42±158.97	0.378±0.309	6.10±9.45	4.71±0.06	0.520±0.487	0.88±3.38	0.54±0.017	64.00	86.87
Brahim et al. <sup>3</sup>	0.791±0.050	12.68±10.59	23.87±11.52	0.274±0.379	7.05±12.73	5.19±0.074	0.641±0.479	0.83±3.109	0.50±0.016	74.00	89.39
Girum et al. <sup>3</sup>	0.803±0.057	11.81±14.09	51.48±98.15	0.340±0.474	11.52±16.53	8.58±0.101	0.780±0.414	0.89±3.61	0.51±0.018	78.00	89.66

<sup>1</sup> Pct. Diff. : Difference between the percentage of the infarcted myocardium.

<sup>2</sup> Additional metrics. These metrics were not taken into account in the ranking.

<sup>3</sup> Co-author(s) come(s) from the challenge organization team. Do(es) not participate in rankings.

- 3 over-estimated the right ventricle and method on row 4 wrongly segmented the right ventricle as a small infarct (yellow arrows).
2. Slice B involves an infarct that connects the cavity (blue arrow). Methods on rows 3 and 4 failed attributed to the low contrast and narrow width of the infarct.
3. Scar tissues in slice C have a broken shape: On the upper side, the scar tissues and the normal myocardium intersperses. The interspersed area was wrongly segmented as normal myocardium on rows 3 and 4 (yellow arrows).
4. Slice D involves an important PMO area. Although the best adaptive approaches recognized the existence of the PMO, a part of the PMO area was segmented as the normal myocardium (row 1) or the infarct was over-estimated (row 2). Most of the other challengers wrongly segmented the infarct wrapping the PMO as the adipose tissue on the lateral segment of the myocardium (yellow arrows in rows 3 and 4).
5. Slice E involves an artifact (blue arrow). Reassuringly, for most challengers, the presence of this artifact on the myocardium did not interfere the segmentation while some challengers made atypical errors on this slice.

In addition, the segmentations of all challengers on one entire exam are provided in the supplementary material.

#### 4.2. Classification contest

The classification contest results are listed in Table 5. The best results were achieved on the merged textual and graphical data. Lourenço et al., Girum et

al. and Shi et al. also submitted their classification results relying on sole textual data. The achieved accuracy on the textual data were 70%, 78%, and 74% respectively, which were significantly outperformed by their model with data fusion in Table 5 (82%, 82%, and 92% respectively). The best method failed only on 3 cases among 50, which we can consider as an excellent result.

## 5. Discussion

### 5.1. Challenge results

The overall challenge results were satisfactory. For the segmentation task, the best method obtained a Dice score of 0.879 for the myocardium and of 0.712 for the infarction area. However, compared to the myocardium, scar tissue segmentation still proved to be a daunting task. Methods incorporating complex pipelines or an important amount of parameters did not always show superiority in the results. The best segmentation approach employed two conventional U-Net variants and the configurations of nnU-Net ([21]) where the first was in 2D and the second was in 3D ([50]). The best pathology classification accuracy is of 92%. This method employed an encoding CNN to predict the scar volume from the MRI, then concatenated the intermediate volume prediction to other textual features for the final classification. Therefore, it could be assumed that an adaptive approach works more efficiently than attempting heavy networks. The depth of MRI and patient features' semantic information is much less than the data dedicated for human environment applications such as MS COCO and KITTI datasets

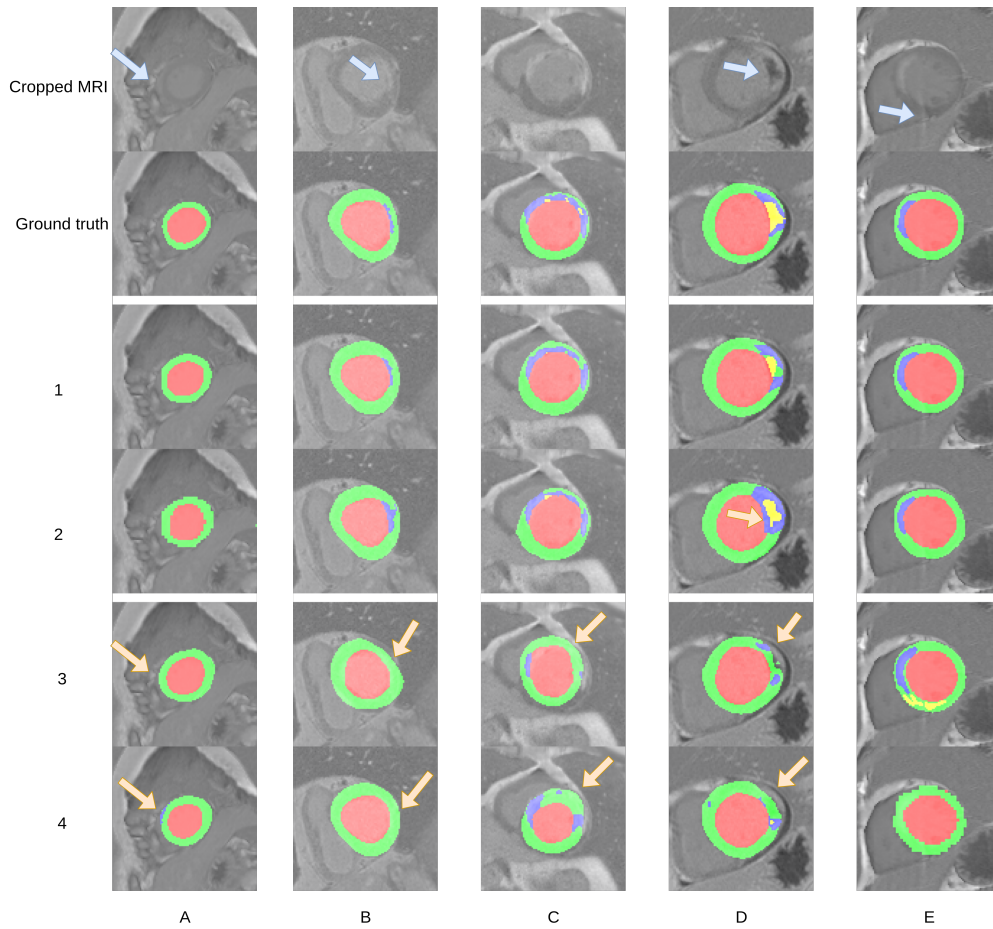


Figure 5: Segmentation results on five challenging slices. Rows 1 and 2 denote satisfying segmentation results, rows 3 and 4 denote segmentations to be optimized. Columns A-E denote five slices from different testing cases. The masks in each row may come from different challengers. Blue arrows highlight difficult areas to detect (low contrast, presence of artifact, etc.). Yellow arrows show differences between challengers for specific segments. Cardiac cavity in red, normal myocardium in green, myocardial infarction in blue and PMO in yellow. See details in the text.

([29, 11]). Unless the appearance of a revolutionary new approach, a better adaptation incorporating the adequate architecture, preprocessing, training and inference *etc.* should be a more robust and generalized solution in the domain of medical data.

Table 5: Results of the classification contest. Best results in bold

Challengers	Sensitivity (%)	Specificity (%)	Precision (%)	Accuracy (%)
Loureço et al.	87.88	70.59	85.29	82
Ivantsits et al.	72.73	82.35	88.89	76
Sharma et al.	72.73	41.18	70.59	62
Girum et al. <sup>1</sup>	78.79	88.24	92.86	82
Shi et al. <sup>1</sup>	<b>90.91</b>	<b>94.12</b>	<b>96.77</b>	<b>92</b>

<sup>1</sup> Co-authors come from the challenge organization team. Do not participate in rankings.

## 5.2. Inter-slice correlation

As discussed by many challengers in the segmentation contest ([8, 47, 50]), the inter-slice information is meaningful but tricky. Anatomical facts confirm the correlation between slices, but the cardiac MRI acquisition involves anisotropic voxel size and variable numbers of slices. Such facts require challengers to weigh up the pros and cons about the use of the inter-slice correlation. The winner justified his trade-off ([50]) such as the preliminary segmentation relied only on the intra-slice information and the final segmentation extends the receptive field to the inter-slice information. This approach reproduces the clinical practice: for most of the cases, considering a single slice is sufficient, but to distinguish the infarction and especially the PMO, the neighboring slices should be referred by physicians in case of ambiguity.

## 5.3. Gating and attention mechanism

The attention mechanism ([45]) has become a popular topic from serial data as Natural Language Processing (NLP) to computer vision tasks. The attention in neural networks mimics cognitive attention: valuable information should be enhanced and redundant information will be faded out. The attention can be applied to relatively concrete data such as the skip connections ([31]), or inside a convolutional block for more abstract gating such as SE block and IRB (*cf.*

3.1.3). Unfortunately, according to the challenge results, the approaches employing the attention mechanism did not prove to outperform the vanilla U-Net or U-Net with conventional building blocks, although some challengers reported its advantage on their split validation set. An ablation study of the attention-based blocks on the state-of-the-art pipeline for the segmentation contest should be worthwhile in future work.

## 5.4. False segmentation and loss functions

Challengers, especially of the segmentation contest, have taken note on the class imbalance issue. The scar tissues represent a small number of instances in the dataset. The majority of challengers employed basically the weighted cross entropy loss, and optionally the Dice loss or generalized Dice loss ([42]). The Dice loss solves the pixel-wise class imbalance problem. However, the vanilla Dice loss does not address the image-wise or the batch-wise imbalance, namely the scar tissues only exist in few images, especially the PMO. Without the weighting, the Dice loss would still suffer from the image-wise imbalance issue: the predictive model would easily assume that such targets do not exist at all, as they do in most batches. It could explain the fact that some challengers underestimated the scar tissues if they employed the non-weighted multi-class Dice loss, in other words, the generalized Dice loss with equal class weight.

## 5.5. Data variance

Challengers investigated a variety of data augmentation methods. Such methods have been widely approved for the applications in short of training data. Nevertheless, the generated data should follow the distribution of the original data, thus completely new features should not be produced. According to this hypothesis, data augmentations such as elastic deformation and mix-up should be applied with caution. Overall, the generated features represent a fuzzy concept, only experiments can determinate if the features are bias or not. Besides the data augmentation, another approach that may increase the data variance of the training data is transfer learning. Some challengers reported the employment of transfer learning with cine MRI from the ACDC dataset ([1]).

The cine MRI and the DE-MRI are different acquisition techniques, but both in short axis orientation of the left ventricle. Although the challenges limited the transfer learning on only the myocardium delineation, any approach that may significantly alter the learning characteristics of the model should be undertaken with caution.

### 5.6. Clinical implications

Evaluation of the presence and the extent of the myocardial infarction (with or without PMO) stays crucial in the evaluation of the myocardial viability. The visual estimation by physicians remains the routine approach, although an accurate automatic prediction of the exams as an objective evaluation of the volume and the percentage of diseased myocardium would improve the diagnosis and prognosis steps. Automatic classification allows reducing the time used to do the diagnosis and reduce the inter-expert variability. However, classification software considered as “black box” must be validated on a large and diverse dataset in order to be accepted in clinical use. Moreover, the segmentation of the different areas must be done with high accuracy and robustness. Results suggest that automatic myocardial segmentation is now a possible task, but the segmentation of diseased areas needs further development before being integrated into software solutions used in clinical practice. Moreover, in this work, only myocardial infarction is considered, and the proposed approaches must also be tested on other pathologies that involve an abnormal signal in DE-MRI, such as myocarditis or hypertrophic cardiomyopathy.

## 6. Conclusion

DE-MRI is a non-invasive technique providing the assessment of myocardial viability, but it still requires an automatic processing to get objective values of the presence and extent of the disease. In this paper, we have shown that the automatic classification of an exam between normal or pathological is possible. Moreover, the best U-Net based methods provide an accurate delineation of the myocardium. However, the segmentation of the myocardial infarction

and particularly that of the PMO area remains challenging, requiring further development to provide the extent of the infarction in a robust manner. These limitations are certainly due to the small size of the disease areas (and then due to the imbalance issue) as the lack of contrast with the surrounding structures.

## Acknowledgment

This work was supported by the ADVANCES project funded by ISITE-BFC project (number ANR-15-IDEX-0003) and by the EIPHI Graduate School (contract ANR-17-EURE-0002).

## References

- [1] Bernard, O., Lalande, A., Zotti, C., Cervenansky, F., Yang, X., Heng, P.A., Cetin, I., Lekadir, K., Camara, O., Gonzalez Ballester, M.A., Sanroma, G., Napel, S., Petersen, S., Tziritas, G., Grinias, E., Khened, M., Kollerathu, V.A., Krishnamurthi, G., Rohé, M.M., Pennec, X., Sermesant, M., Isensee, F., Jäger, P., Maier-Hein, K.H., Full, P.M., Wolf, I., Engelhardt, S., Baumgartner, C.F., Koch, L.M., Wolterink, J.M., Išgum, I., Jang, Y., Hong, Y., Patravali, J., Jain, S., Humbert, O., Jodoin, P.M., 2018. Deep learning techniques for automatic mri cardiac multi-structures segmentation and diagnosis: Is the problem solved? *IEEE Transactions on Medical Imaging* 37, 2514–2525.
- [2] Brahim, K., Qayyum, A., Lalande, A., Boucher, A., Sakly, A., Meriaudeau, F., 2021. Efficient 3d deep learning for myocardial diseases segmentation, in: Puyol Anton, E., Pop, M., Sermesant, M., Campello, V., Lalande, A., Lekadir, K., Suinesiaputra, A., Camara, O., Young, A. (Eds.), *Statistical Atlases and Computational Models of the Heart. M&Ms and EMIDEC Challenges*, pp. 359–368.
- [3] Breiman, L., 1996. *Bias, Variance, and Arcing Classifiers*. Technical Report.

- [4] Camarasa, R., Faure, A., Crozier, T., Bos, D., de Bruijne, M., 2021. Uncertainty-based segmentation of myocardial infarction areas on cardiac mr images, in: Puyol Anton, E., Pop, M., Sermesant, M., Campello, V., Lalande, A., Lekadir, K., Suinesiaputra, A., Camara, O., Young, A. (Eds.), *Statistical Atlases and Computational Models of the Heart. M&Ms and EMIDEC Challenges*, pp. 385–391.
- [5] Cetin, I., Sanroma, G., Petersen, S.E., Napel, S., Camara, O., Ballester, M.A.G., Lekadir, K., 2018. A radiomics approach to computer-aided diagnosis with cardiac cine-mri, in: Pop, M., Sermesant, M., Jodoin, P.M., Lalande, A., Zhuang, X., Yang, G., Young, A., Bernard, O. (Eds.), *Statistical Atlases and Computational Models of the Heart. ACDC and MMWHS Challenges*, Springer International Publishing, Cham. pp. 82–90.
- [6] Clevert, D., Unterthiner, T., Hochreiter, S., 2016. Fast and accurate deep network learning by exponential linear units (elus), in: Bengio, Y., LeCun, Y. (Eds.), *4th International Conference on Learning Representations, ICLR 2016, San Juan, Puerto Rico, May 2-4, 2016, Conference Track Proceedings*.
- [7] Cochet, A., Zeller, M., Cottin, Y., Robert-Valla, C., Lalande, A., L’Huillier, I., Comte, A., Walker, P.M., Desgres, J., Wolf, J.E., Brunotte, F., 2004. The extent of myocardial damage assessed by contrast-enhanced mri is a major determinant of n-bnp concentration after myocardial infarction. *European Journal of Heart Failure* 6, 555–560.
- [8] Feng, X., Kramer, C.M., Salerno, M., Meyer, C.H., 2021. Automatic scar segmentation from de-mri using 2d dilated unet with rotation-based augmentation, in: Puyol Anton, E., Pop, M., Sermesant, M., Campello, V., Lalande, A., Lekadir, K., Suinesiaputra, A., Camara, O., Young, A. (Eds.), *Statistical Atlases and Computational Models of the Heart. M&Ms and EMIDEC Challenges*, pp. 400–405.
- [9] Fix, E., Hodges, J.L., 1989. Discriminatory analysis. nonparametric discrimination: Consistency properties. *International Statistical Review / Revue Internationale de Statistique* 57, 238–247.
- [10] Friedman, J.H., 2001. Greedy function approximation: A gradient boosting machine. *Ann Statist* 29, 1189–1232.
- [11] Geiger, A., Lenz, P., Stiller, C., Urtasun, R., 2013. Vision meets robotics: The kitti dataset. *International Journal of Robotics Research (IJRR)* .
- [12] Girum, K.B., Skandarani, Y., Hussain, R., Grayeli, A.B., Créhange, G., Lalande, A., 2021. Automatic myocardial infarction evaluation from delayed-enhancement cardiac mri using deep convolutional networks, in: Puyol Anton, E., Pop, M., Sermesant, M., Campello, V., Lalande, A., Lekadir, K., Suinesiaputra, A., Camara, O., Young, A. (Eds.), *Statistical Atlases and Computational Models of the Heart. M&Ms and EMIDEC Challenges*, pp. 378–384.
- [13] Glorot, X., Bordes, A., Bengio, Y., 2011. Deep sparse rectifier neural networks, in: *Proceedings of the Fourteenth International Conference on Artificial Intelligence and Statistics*, PMLR, Fort Lauderdale, FL, USA. pp. 315–323.
- [14] He, K., Zhang, X., Ren, S., Sun, J., 2016. Deep residual learning for image recognition, pp. 770–778.
- [15] Hennemuth, A., Friman, O., Huellebrand, M., Peitgen, H.O., 2013. Mixture-model-based segmentation of myocardial delayed enhancement mri, in: Camara, O., Mansi, T., Pop, M., Rhode, K., Sermesant, M., Young, A. (Eds.), *Statistical Atlases and Computational Models of the Heart. Imaging and Modelling Challenges*, Springer Berlin Heidelberg, Berlin, Heidelberg. pp. 87–96.
- [16] Hennemuth, A., Seeger, A., Friman, O., Miller, S., Oeltze, S., Otto Peitgen, H., 2008. A comprehensive approach to the analysis of contrast



- enhanced cardiac mr images. *IEEE Transactions on Medical Imaging* .
- [17] Hinton, G.E., Osindero, S., Teh, Y.W., 2006. A fast learning algorithm for deep belief nets. *Neural comput* 18, 1527–1554.
- [18] Ho, T.K., 1995. Random decision forests, in: *Proceedings of the Third International Conference on Document Analysis and Recognition (Volume 1) - Volume 1*, p. 278.
- [19] Hu, J., Shen, L., Sun, G., 2018. Squeeze-and-excitation networks, in: *2018 IEEE/CVF Conference on Computer Vision and Pattern Recognition*, pp. 7132–7141.
- [20] Huellebrand, M., Ivantsits, M., Zhang, H., Kohlmann, P., Kuhnigk, J.M., Kuehne, T., Schönberg, S., Hennemuth, A., 2021. Comparison of a hybrid mixture model and a cnn for the segmentation of myocardial pathologies in delayed enhancement mri, in: Puyol Anton, E., Pop, M., Sermesant, M., Campello, V., Lalande, A., Lekadir, K., Suinesiaputra, A., Camara, O., Young, A. (Eds.), *Statistical Atlases and Computational Models of the Heart. M&Ms and EMIDEC Challenges*, pp. 319–327.
- [21] Isensee, F., Jaeger, P., Kohl, S., Petersen, J., Maier-Hein, K., 2021. nnu-net: a self-configuring method for deep learning-based biomedical image segmentation. *Nature Methods* 18, 1–9.
- [22] Ivantsits, M., Huellebrand, M., Kelle, S., Schönberg, S.O., Kuehne, T., Hennemuth, A., 2021. Deep-learning-based myocardial pathology detection, in: Puyol Anton, E., Pop, M., Sermesant, M., Campello, V., Lalande, A., Lekadir, K., Suinesiaputra, A., Camara, O., Young, A. (Eds.), *Statistical Atlases and Computational Models of the Heart. M&Ms and EMIDEC Challenges*, pp. 369–377.
- [23] Karim, R., Bhagirath, P., Claus, P., James Housden, R., Chen, Z., Karimghaloo, Z., Sohn, H.M., Lara Rodríguez, L., Vera, S., Albà, X., Hennemuth, A., Peitgen, H.O., Arbel, T., González Ballester, M.A., Frangi, A.F., Götte, M., Razavi, R., Schaeffter, T., Rhode, K., 2016. Evaluation of state-of-the-art segmentation algorithms for left ventricle infarct from late gadolinium enhancement mr images. *Medical Image Analysis* 30, 95–107.
- [24] Killip, T., Kimball, J.T., 1967. Treatment of myocardial infarction in a coronary care unit: A two year experience with 250 patients. *The American Journal of Cardiology* 20, 457–464. *Symposium on Coronary Care Units*.
- [25] Kim, R.J., Fieno, D.S., Parrish, T.B., Harris, K., Chen, E.L., Simonetti, O., Bundy, J., Finn, J.P., Klocke, F.J., Judd, R.M., 1999. Relationship of mri delayed contrast enhancement to irreversible injury, infarct age, and contractile function. *Circulation* 100, 1992–2002.
- [26] Krizhevsky, A., Sutskever, I., Hinton, G.E., 2012. Imagenet classification with deep convolutional neural networks, in: Pereira, F., Burges, C.J.C., Bottou, L., Weinberger, K.Q. (Eds.), *Advances in Neural Information Processing Systems*, Curran Associates, Inc.
- [27] Lalande, A., Chen, Z., Decourselle, T., Qayyum, A., Pommier, T., Lorgis, L., de la Rosa, E., Cochet, A., Cottin, Y., Ginjac, D., Salomon, M., Couturier, R., Meriaudeau, F., 2020. Emidec: A database usable for the automatic evaluation of myocardial infarction from delayed-enhancement cardiac mri. *Data* 5.
- [28] Li, X., Wang, W., Hu, X., Yang, J., 2019. Selective kernel networks, in: *IEEE Conference on Computer Vision and Pattern Recognition, CVPR 2019, Long Beach, CA, USA, June 16-20, 2019*, Computer Vision Foundation / IEEE. pp. 510–519.
- [29] Lin, T.Y., Maire, M., Belongie, S., Hays, J., Perona, P., Ramanan, D., Dollár, P., Zitnick, C.L., 2014. Microsoft coco: Common objects in context, in: Fleet, D., Pajdla, T., Schiele, B., Tuytelaars, T. (Eds.), *Computer Vision – ECCV*

- 2014, Springer International Publishing, Cham. pp. 740–755.
- [30] Lourenço, A., Kerfoot, E., Grigorescu, I., Scannell, C.M., Varela, M., Correia, T.M., 2021. Automatic myocardial disease prediction from delayed-enhancement cardiac mri and clinical information, in: Puyol Anton, E., Pop, M., Sermesant, M., Campello, V., Lalande, A., Lekadir, K., Suinesiaputra, A., Camara, O., Young, A. (Eds.), *Statistical Atlases and Computational Models of the Heart. M&Ms and EMIDEC Challenges*, pp. 334–341.
- [31] Oktay, O., Schlemper, J., Le Folgoc, L., Lee, M., Heinrich, M., Misawa, K., Mori, K., McDonagh, S., Y Hammerla, N., Kainz, B., et al., 2018. Attention u-net: Learning where to look for the pancreas. *arXiv e-prints*, arXiv–1804.
- [32] Peng, C.Y.J., Lee, K.L., Ingersoll, G.M., 2002. An introduction to logistic regression analysis and reporting. *The journal of educational research* 96, 3–14.
- [33] Quinlan, J., 1987. Simplifying decision trees. *Int J Man Mach Stud* 27, 221 – 234.
- [34] Ramachandran, P., Zoph, B., Le, Q.V., 2017. Searching for activation functions. *CoRR* abs/1710.05941. [arXiv:1710.05941](https://arxiv.org/abs/1710.05941).
- [35] Ronneberger, O., Fischer, P., Brox, T., 2015. U-net: Convolutional networks for biomedical image segmentation, in: *Medical Image Computing and Computer-Assisted Intervention – MICCAI 2015*, pp. 234–241.
- [36] Sandler, M., Howard, A., Zhu, M., Zhmoginov, A., Chen, L.C., 2018. Mobilenetv2: Inverted residuals and linear bottlenecks, pp. 4510–4520.
- [37] Schinkel, A.F., Poldermans, D., Elhendy, A., Bax, J.J., 2007. Assessment of myocardial viability in patients with heart failure. *Journal of Nuclear Medicine* 48, 1135–1146.
- [38] Scholkopf, B., 2001. The kernel trick for distances. *Adv Neural Inf Process Syst*, 301–307.
- [39] Selvanayagam, J.B., Kardos, A., Francis, J.M., Wiesmann, F., Petersen, S.E., Taggart, D.P., Neubauer, S., 2004. Value of delayed-enhancement cardiovascular magnetic resonance imaging in predicting myocardial viability after surgical revascularization. *Circulation* 110, 1535–1541.
- [40] Sharma, R., Eick, C.F., Tsekos, N.V., 2021. Sm2n2: A stacked architecture for multimodal data and its application to myocardial infarction detection, in: Puyol Anton, E., Pop, M., Sermesant, M., Campello, V., Lalande, A., Lekadir, K., Suinesiaputra, A., Camara, O., Young, A. (Eds.), *Statistical Atlases and Computational Models of the Heart. M&Ms and EMIDEC Challenges*, pp. 342–350.
- [41] Shi, J., Chen, Z., Couturier, R., 2021. Classification of pathological cases of myocardial infarction using convolutional neural network and random forest, in: Puyol Anton, E., Pop, M., Sermesant, M., Campello, V., Lalande, A., Lekadir, K., Suinesiaputra, A., Camara, O., Young, A. (Eds.), *Statistical Atlases and Computational Models of the Heart. M&Ms and EMIDEC Challenges*, pp. 406–413.
- [42] Sudre, C.H., Li, W., Vercauteren, T., Ourselin, S., Cardoso, M.J., 2017. Generalised dice overlap as a deep learning loss function for highly unbalanced segmentations, in: *Deep Learning in Medical Image Analysis and Multimodal Learning for Clinical Decision Support - Third International Workshop, DLMIA*, pp. 240–248.
- [43] Szegedy, C., Ioffe, S., Vanhoucke, V., Alemi, A.A., 2017. Inception-v4, inception-resnet and the impact of residual connections on learning, in: *Proceedings of the Thirty-First AAAI Conference on Artificial Intelligence*, p. 4278–4284.
- [44] Taghanaki, S., Zheng, Y., Zhou, S.K., Georgescu, B., Sharma, P., Xu, D., Comaniciu, D., Hamarneh, G., 2019. Combo loss: Handling input and output imbalance in multi-organ segmentation. *Computerized Medical Imaging and Graphics* 75, 24–33.

- [45] Vaswani, A., Shazeer, N., Parmar, N., Uszkoreit, J., Jones, L., Gomez, A.N., Kaiser, L.u., Polosukhin, I., 2017. Attention is all you need, in: Guyon, I., Luxburg, U.V., Bengio, S., Wallach, H., Fergus, R., Vishwanathan, S., Garnett, R. (Eds.), *Advances in Neural Information Processing Systems*, Curran Associates, Inc.
- [46] Xie, S., Girshick, R., Dollar, P., Tu, Z., He, K., 2017. Aggregated residual transformations for deep neural networks, pp. 5987–5995.
- [47] Yang, S., Wang, X., 2021. A hybrid network for automatic myocardial infarction segmentation in delayed enhancement-mri, in: Puyol Anton, E., Pop, M., Sermesant, M., Campello, V., Lalande, A., Lekadir, K., Suinesiaputra, A., Camara, O., Young, A. (Eds.), *Statistical Atlases and Computational Models of the Heart. M&Ms and EMIDEC Challenges*, pp. 351–358.
- [48] Yue, Q., Luo, X., Ye, Q., Xu, L., Zhuang, X., 2019. Cardiac segmentation from lge mri using deep neural network incorporating shape and spatial priors, in: Shen, D., Liu, T., Peters, T.M., Staib, L.H., Essert, C., Zhou, S., Yap, P.T., Khan, A. (Eds.), *Medical Image Computing and Computer Assisted Intervention – MICCAI 2019*, Springer International Publishing, Cham. pp. 559–567.
- [49] Zhang, H., Cissé, M., Dauphin, Y.N., Lopez-Paz, D., 2018. mixup: Beyond empirical risk minimization, in: *6th International Conference on Learning Representations, ICLR 2018, Vancouver, BC, Canada, April 30 - May 3, 2018, Conference Track Proceedings*.
- [50] Zhang, Y., 2021. Cascaded convolutional neural network for automatic myocardial infarction segmentation from delayed-enhancement cardiac mri, in: Puyol Anton, E., Pop, M., Sermesant, M., Campello, V., Lalande, A., Lekadir, K., Suinesiaputra, A., Camara, O., Young, A. (Eds.), *Statistical Atlases and Computational Models of the Heart. M&Ms and EMIDEC Challenges*, pp. 328–333.
- [51] Zhou, Y., Zhang, K., Luo, X., Wang, S., Zhuang, X., 2021. Anatomy prior based u-net for pathology segmentation with attention, in: Puyol Anton, E., Pop, M., Sermesant, M., Campello, V., Lalande, A., Lekadir, K., Suinesiaputra, A., Camara, O., Young, A. (Eds.), *Statistical Atlases and Computational Models of the Heart. M&Ms and EMIDEC Challenges*, pp. 392–399.