

DT-SV: A Transformer-based Time-domain Approach for Speaker Verification

Nan Zhang, Jianzong Wang[†], Zhenhou Hong, Chendong Zhao, Xiaoyang Qu, Jing Xiao

Ping An Technology (Shenzhen) Co., Ltd., Shenzhen, China

Emails: nzhang889@gmail.com, jzhang@188.com,

{zhenhouhong, cd896614, quxiaoy}@gmail.com, xiaojing661@pingan.com.cn

Abstract—Speaker verification (SV) aims to determine whether the speaker’s identity of a test utterance is the same as the reference speech. In the past few years, extracting speaker embeddings using deep neural networks for SV systems has gone mainstream. Recently, different attention mechanisms and Transformer networks have been explored widely in SV fields. However, utilizing the original Transformer in SV directly may have frame-level information waste on output features, which could lead to restrictions on capacity and discrimination of speaker embeddings. Therefore, we propose an approach to derive utterance-level speaker embeddings via a Transformer architecture that uses a novel loss function named *difffluence loss* to integrate the feature information of different Transformer layers. Therein, the *difffluence loss* aims to aggregate frame-level features into an utterance-level representation, and it could be integrated into the Transformer expediently. Besides, we also introduce a learnable mel-fbank energy feature extractor named *time-domain feature extractor* that computes the mel-fbank features more precisely and efficiently than the standard mel-fbank extractor. Combining *Difffluence loss* and *Time-domain feature extractor*, we propose a novel Transformer-based time-domain SV model (DT-SV) with faster training speed and higher accuracy. Experiments indicate that our proposed model can achieve better performance in comparison with other models.

Index Terms—speaker verification, Transformer, raw waveform, learnable fbank extractor, *difffluence loss*

I. INTRODUCTION

Speaker verification (SV) is a binary classification task that answers the question whether an unknown utterance belongs to its claimed identity. Usually, it can be divided into two categories: text-dependent speaker verification (TD-SV) and text-independent speaker verification (TI-SV) [1]. Therein, TI-SV has no constraint on text content and speakers can say anything to the verification system, which brings great convenience to the users, hence we focus on TI-SV in this work.

Generally speaking, there are two kinds of models in the research of SV: the statistical model and the neural network model [2]. As an efficient statistical model, i-vector [3] achieves great success in TI-SV task. It compresses both speaker and channel information into a fixed-dimensional space called total variability subspace. Recently, with the increasing of the scale of labeled data, more and more researchers start to pay attention to the neural network model. Under the supervised learning framework, the model could

automatically learn the speaker representation through the data-driven training method.

Deep neural networks have been shown to be useful for extracting speaker-discriminative feature vectors independently from the i-vector framework [3]. With the help of an amount of training data, such approaches have obtained much better results, particularly under the condition of short-duration utterances. In 2014, Ehsan et al. [4] introduced the neural network into speaker verification. At the training step, four fully connected layers are utilized for speaker classification. Meanwhile, the speaker embedding (‘d-vector’) is calculated from averaging the last hidden layer’s output over frames in verification step. Using this pipeline, more well-designed neural networks such as convolutional neural network(CNNs) [5], [6] and recurrent neural networks(RNNs) [7] have been proposed for SV task. However, it still needs more powerful deep neural networks to better extract the speaker feature.

The attention mechanism [8], [9] is a powerful method which offers a way to obtain an even more discriminative utterance-level feature by explicitly selecting frame-level representations that better represent speaker characteristics. Nowadays, Transformer with self-attention mechanism have become an effective model in a variety of application fields [10]–[12], which mainly focus on the processing of deep neural networks on certain areas of feature maps or certain temporal slots, including the scenario of SV [2]. The success achieved by this approach in SV with self-attention mechanism allows models to learn the frame-level features, which are more precise to represent the speaker characteristics. Yet, there are still two issues. First, since it can not extract speaker-discriminative features from the raw speech input, it relies on the mel-fbank or MFCC features. Secondly, the original Transformer structure may have frame-level information waste on output features, which could lead to restrictions on capacity and discrimination of speaker embeddings.

Based on above issues, we propose a Transformer-based Time-domain model for SV named DT-SV with two major improvements in comparison to the original Transformer in SV, a novel loss function named *difffluence loss* and a learnable mel-fbank feature extractor named *time-domain feature extractor*. Features extracted by this extractor will be more appropriate to the neural network since the *time-domain feature extractor* is learned from the raw data distribution. Also, *difffluence loss* contributes to better obtain the utterance-level embedding,

[†] Corresponding Author: Jianzong Wang, jzhang@188.com

which summarizes the information from other embeddings via a self-attention mechanism. Specifically, this loss indicates the distance among features of the first frame and other frames on each layer, thus enhancing the speaker-related information in the utterance-level embedding while weakening the speaker-related information among other frame embeddings. In particular, we propose two architectures with different numbers of layers, which are DT-SV-light and DT-SV. Both of them are well-performed in our experiments while the DT-SV-light could achieve competitive performance compared to other light models with 10 times smaller GFLOPs.

Our main contributions are as follows:

- An utterance-level speaker representation based on Transformer is presented, via proposing a novel *diffluence loss* to aggregate frame-level features on each layer to an utterance-level speaker representation while weaken the speaker-related information in the frame-level embeddings.
- A learnable mel-fbank features extractor named *time-domain feature extractor* is introduced, which could extract features from speech signal like mel-fbank more precisely and efficiently than the standard mel-fbank extractor.
- A Transformer-based time-domain speaker verification model is designed to take advantage of the above two modules, achieving faster training speed and higher accuracy.

II. RELATED WORK

A. Speaker Embedding Extractor

During the last few years, how to obtain a single fixed dimension vector to represent an utterance has drawn most researchers' attention in this field. The success of i-vector [3] extracted from GMM-UBM models [13], one of the earliest speaker embeddings, stimulated the interest among researchers to search for better speaker embeddings. In the meantime, with the increase of available data for training, speaker embeddings based on deep learning methods have gained popularity. The d-vector [4] is one of the earliest DNN-based embeddings, the core idea of which is to assign the ground-truth speaker identity of an utterance as the labels of frames belonging to this utterance in the training phase, which transfers the model training to a classification problem. Soon after, the x-vectors [14], [15] extracted from the Time Delay Neural Networks (TDNNs) [16] based system have consistently outperformed i-vector based systems and therefore been widely used in state-of-the-art systems. Considering spectrogram representations of speech as images, speaker embeddings extracted from pretrained residual networks (ResNets) [17], [18] with a considerable number of images, have performed even better than x-vectors recently. In order to represent variable utterance lengths, different pooling methods [15], [19], [20] have been proposed to aggregate the information across the utterance into a single vector. The s-vectors [21] extracted from speaker classification architectures based on Transformer's encoder,

attend to all features that capture speaker characteristics over the entire utterance, achieving greater performance than x-vectors.

B. Transformer in Speech

The attention-based model has nowadays shown its powerful ability on representation learning in speech processing fields. There have been a few studies to explore incorporating attention at the model level and prove such attention mechanism is effective in aggregating frame-level features. Zhang et al. [22] proposed the time-frequency attention module for speaker verification to help the system to focus on important regions of short utterances along the time and the frequency domain, extracting more effective speaker discriminative information. In [18], an end-to-end speaker verification system employing time-frequency and channel attention hierarchically in ResNet framework is presented for speaker verification as well.

Lately, the architecture named Transformer with stacked self-attention at the encoder and a multi-head topology have been explored extensively for SV. Inspired by the next sentence prediction task of BERT [23], an architecture called TESA [21] based on Transformer's encoder is proposed as a replacement for conventional PLDA-based speaker verification to capture the speaker characteristics better, outperforming the PLDA [24] on the same dataset. Besides, Zhu et al. [25] proposed a method to create fixed-dimensional representations for SV with a serialized multi-layer multi-head attention mechanism containing a stack of self-attention modules, which is designed to aggregate and propagate attentive statistics from one layer to the next in a serialized manner. Different from other studies which re-designs the inner structure of the attention module, we strictly follows original Transformer, providing the simple but effective modifications.

III. PROPOSED METHOD

A. Model Architecture

A common practice in all deep learning methods addressing the SV task is to perform speaker classification first. Then, utterance-specific fixed-dimension embeddings are obtained from the speaker classification network by different pooling methods. These embeddings are immediately fed to a SV system to validate the identity claimed by the speaker.

In the framework based on the original transformer structure in SV, the input is mel-fbank features while the output is the speaker classification loss. Similar to the Transformer applied to natural language processing like BERT [23] and computer vision like ViT [26], an extra learnable embedding is added to the sequence as the first frame embedding in our proposed model. The final hidden state corresponding to this frame serves as the aggregate utterance-specific embedding for speaker classification, ignoring the information in other frames. However, we noticed that the speaker-related information not only exists in the first frame embedding but also is contained in embeddings of other ignored frames via our experiments. For the better capacity and discrimination of speaker embeddings, the ignored information should be

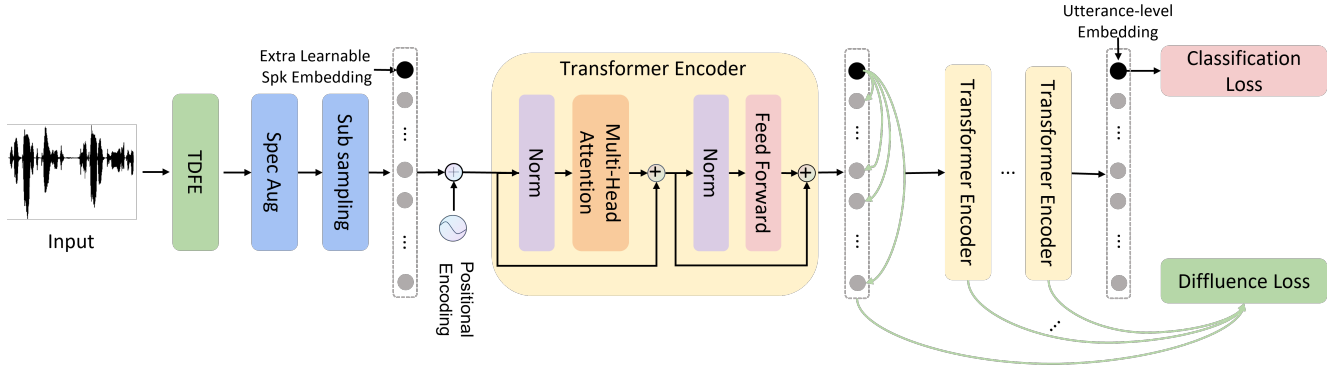


Fig. 1. A diagram of DT-SV, which is based on Transformer with two major improvements in green part. Therein, the Transformer block is the same as the usual Transformer layer and TDFE represents Time-domain Feature Extractor.

further aggregated to form an utterance-level representation. To address this issue, we proposed a novel SV model based on the original Transformer with some minor modifications on loss function.

As illustrated in Fig.1, the major differences between our proposed DT-SV and the original Transformer-based model are *time-domain feature extractor*(TDFE) and *difffluence loss*. Therein, TDFE is a front module to extract features from the raw waveform input directly, and *difffluence loss* is the sum of distances between the utterance-level embedding and each frame-level embedding in every layer. Particularly, such loss utilizes all features over the entire utterance, which is more suitable in capturing speaker characteristics on an utterance. Meanwhile, the join of DTFE makes DT-SV completely an end-to-end SV model directly from a raw input to classification results, which accelerates forward propagation speed and model training speed since all operations could be implemented on GPU because of the raw time domain input.

B. Time-domain Feature Extractor

In general, the standard mel-fbank feature extractor consists of following modules: pre-emphasis, framing, window, short-time Fourier transform(STFT), energy spectrum(ES) and mel filter. As is conveyed by Fig.2, which is the framework of TDFE, all these parts are combined into a black box operation of a convolutional layer and a fully-connected layer.

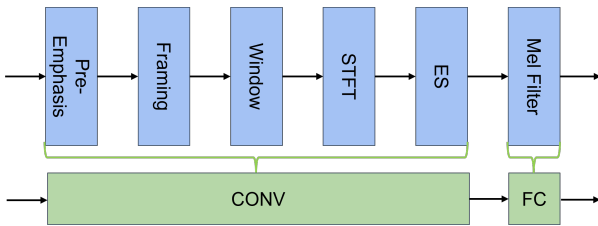


Fig. 2. The framework of *time-domain feature extractor*. The processes in the standard mel-fbank feature extractor, including pre-emphasis, framing, window, STFT and ES are replaced by a convolutional layer, and the mel filter is substituted with a fully-connected layer.

As features are extracted via a convolutional layer and a fully-connected layer in TDFE, we denote the input tensor

as $\mathbf{X} \in \mathbb{R}^{A \times T \times D}$, where A is the amplitude number, T is the time dimension and D is the dimension of input features. The convolution operation convolves with a weight matrix $\mathbf{W}_c \in \mathbb{R}^{1 \times K \times D \times O}$, where K is the kernel size and O is the dimension of output features. Likewise, a weight matrix $\mathbf{W} \in \mathbb{R}^{A \times T \times O \times D}$ is applied in the fully-connected operation. Mathematically, the process of TDFE could be formulated as:

$$\mathbf{E} = \mathcal{F}(\mathbf{X} * \mathbf{W}_c) \quad (1)$$

$$\mathbf{Y} = \mathcal{F}(\mathbf{W} \times \mathbf{E}) \quad (2)$$

where $*$ denotes the convolution operation and \times denotes the matrix multiply, $\mathcal{F}(\cdot)$ represents the activation function, \mathbf{Y} is the output feature likes the mel-fbank feature.

It is worth noting that the general steps to obtain the mel-fbank feature from a speech signal are inspired by the biology of human perception. However, features extracted by our proposed TDFE are learned from the distribution of real-world data, which are more suitable for subsequent processing of neural networks.

C. Difffluence Loss

To address restrictions for capacity and discrimination of speaker embeddings since the original transformer structure may have frame-level information waste on output features, the *difffluence loss* is designed. As we mentioned before, the *difffluence loss* is indicated the distance between the utterance-level embedding and other frame-level embeddings in each layer. Thus, it could enhance the speaker-related information in the utterance-level embedding.

The loss function for training consists of following two parts, classification loss L_C and *difffluence loss* \mathcal{L}_D , as formulated in Eq.(3).

$$L = L_C - \mathcal{L}_D \quad (3)$$

Therein, the classification loss is a cross-entropy function in the standard classification problem. Here, we use the AAM-Softmax loss function [27], as follows:

$$\begin{aligned}
L_C &= -\frac{1}{N} \sum_{n=1}^N \log \frac{\phi_n}{\phi_n + \psi_n} \\
\phi_n &= e^{\tau \cos(\theta_{l_n, n+m})} \\
\psi_n &= \sum_{j=1, j \neq l_n}^J e^{\tau \cos(\theta_{j, n})}
\end{aligned} \tag{4}$$

where τ is a scaling factor for preventing gradients too small during the training process, m is the hyper-parameters.

For the *difffluence loss* \mathcal{L}_D , the Kullback-Leibler divergence, which is widely applied in the field of machine learning and deep learning, is utilized as a representation of distance:

$$\mathcal{L}_D = \frac{1}{LT} \sum_{l=1}^L \sum_{i=1}^T KL(\mathbf{v}_{l0} || \mathbf{v}_{li}) \tag{5}$$

where the \mathbf{v}_{li} represents the i -th output embedding in the l -th layer, $KL(\cdot)$ denotes the Kullback-Leibler divergence. Specially, when $l = 1$, the $KL(\mathbf{v}_{l0} || \mathbf{v}_{li})$ is called **attention distance**.

Besides, the cosine function could also serve as \mathcal{L}_D , which is an another common measurement of the distance between distributions. The relevant results of comparative experiment can be found in Section IV.

IV. EXPERIMENT AND ANALYSIS

In this section, we firstly describe some datasets utilized in following experiments, and then detailedly analyze the experimental results accordingly.

A. Dataset

CN-CELEB: CN-Celeb [28] is a large-scale speaker recognition dataset collected “in the wild”. Specifically, the dataset contains more than 130000 utterances from 1000 Chinese celebrities, and covers 11 different genres in real world, including entertainment, interview, singing, play, movie, vlog, live broadcast, speech, drama, recitation and advertisement. The speech of a particular speaker may be in more than 5 genres. The diversity in genres makes CN-Celeb more representative for the true scenarios in unconstrained conditions, but also more challenging.

VoxCeleb2: VoxCeleb is a large-scale speaker identification dataset consisting of short clips of human speech. The entire dataset involves two parts: VoxCeleb1 [29] and VoxCeleb2 [19]. VoxCeleb2 dataset consists over 1 million utterances for over 6,000 celebrities, extracted from videos uploaded to YouTube. VoxCeleb1 dataset consists of about 150,000 utterances from 1251 different celebrities. The utterances are collected from YouTube videos in which the celebrities belong to different races and have a wide range of accents. In our work, the proposed DT-SV is trained on the VoxCeleb2 while evaluated on the VoxCeleb1, including VoxCeleb1-E and VoxCeleb1-H test sets.

B. Implementation details

In order to compare experimental results equitably, all settings in our experiments are consistent with those in baselines [30], except for the loss function. Thus, we utilize similar network structure, data processing, training, and testing strategies in our experiments.

Network structure: As we mentioned in Section I, two different architectures are proposed in our work. To be specific, DT-SV-light is “lighter” on three aspects including the number of layers, dimensions and attention heads than DT-SV, as presented in Table I. Consequently, the number of parameters of DT-SV-light is much less than DT-SV, which makes DT-SV-light much easier to apply in more scenarios like mobile devices.

TABLE I
MODEL HYPER-PARAMETERS OF DT-SV-LIGHT AND DT-SV.

Model	DT-SV-light	DT-SV
Params(M)	1.0	21.5
Layers	4	6
Dims	128	128/256/512
Attention Heads	4	8

Metric: Following the general practice, equal error rate (EER) and minimum detection cost function (minDCF) are chosen to evaluate the performance. Some parameters maintain the same as those in [29], where the target probability P_{tar} is 0.01, C_{fa} and C_{fr} has the same weight of 1.0.

Training: In our design for ablation experiments, four different models with different layers or dimensions are trained to assess the effects of hyperparameters. All training settings are presented in Table II, one of these models has 4 layers and 128 dimensions, while the other three models all have 6 layers with exponentially increasing dimensions(128, 256 and 512 respectively). For the two models with 128 dimensions, the learning rate decay and the weight decay are both set as 0.97 and 10^{-5} respectively while the learning rate are 0.001 and 0.0005. For the other two models with 256 dimensions and 512 dimensions, the learning rate, the learning rate decay and the weight decay are basically the same with 0.001, 0.99 and 5×10^{-5} respectively. To make a relatively fair comparison, the number of epoches is progressive increase because of different model sizes. Besides, for all models, the optimizer is Adam [31] and the batch size is set to 150.

Different training techniques: Table III shows the progressive improvements of DT-SV while employing different training techniques. To verify the effectiveness of common techniques, *difffluence loss* is not added for the time being. Starting from DT-SV-light, which is regard as baseline, with 3.19% EER, the multiple training techniques are applied to improve the performance. The first one is SpecAugment [32] and Data Augmentation that could make the distribution of the input raw wave data more diverse. Thus, it lowers the EER to 2.84%, or reduces 0.35% EER compared to the baseline.

TABLE II

TRAINING SETTING OF DIFFERENT DT-SV MODELS. “L” IS LAYER, “D” IS DIMENSION, “LR” IS LEARNING RATE, “LRD” IS LEARNING RATE DECAY, “WD” IS WEIGHT DECAY.

#L	D	LR	LRD	WD	epoch
4	128	0.001	0.97	10^{-5}	20
6	128	0.0005	0.97	10^{-5}	24
6	256	0.001	0.99	5×10^{-5}	26
6	512	0.001	0.99	5×10^{-5}	30

Then, with the help of Relative Position Embedding [33] that could enhance the information of relative position, the EER of the model decreases by another 0.5%. In general, making a model bigger and deeper is always an effective method for acquiring better representations. As shown in Table III, the model with higher multi-layer perceptron(MLP) dimensions and more Transformer blocks could reduce the EER greatly. Consequently, all these four training techniques are employed in the following experiments.

TABLE III

ABLATION PATH OF OUR PROPOSED DT-SV-LIGHT BASELINE. ALL THE MODELS ARE CARRIED OUT ON THE SAME GPU DEVICES FOR FAIR COMPARISON. THE PERFORMANCE CAN BE BOOSTED FROM 3.19 TO 2.07 (-1.12) USING THE PROPOSED TECHNIQUES.

Training Techniques	EER(%)
Baseline(DT-SV-light with AAM-Softmax)	3.19
+ SpecAugment & Data Augmentation	2.84 (-0.35)
+ Relative Position Embedding	2.69 (-0.50)
+ Higher MLP dimension (256 \rightarrow 512)	2.13 (-1.07)
+ More Transformer Blocks (4 \rightarrow 6)	2.07 (-1.12)

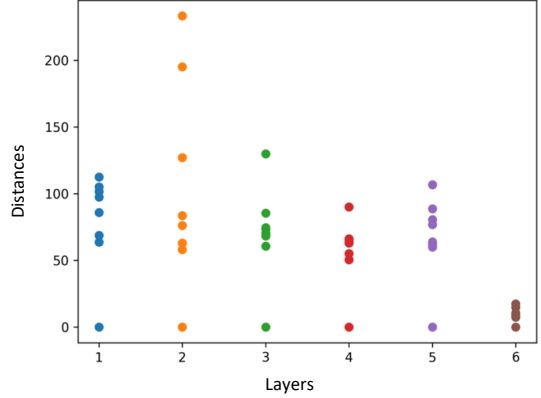
C. Results and Analysis

Attention distance: Here the impact of layers on performance of DT-SV is explored. The Fig. 3 displays the distance between attention heads at different layers. Therein, dots with the same color represent the distance between the first attention head and the other attention heads in the specific layer. The distance of attention head is calculated by averaging distances of the first frame embedding and the other frame embeddings, as Eqn. (5) in Sec. III-C when $l = 1$.

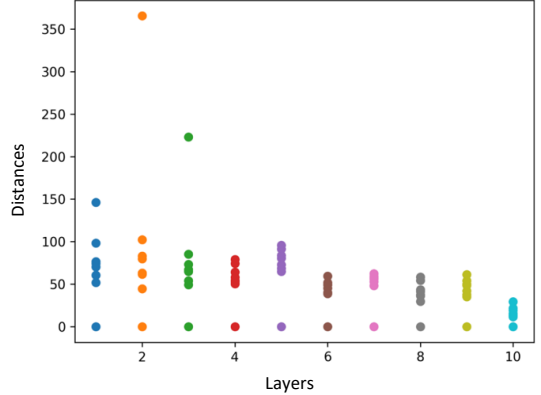
As illustrated in Fig. 3(a), when the layer of Transformer is 6, the attention distance of the first five layers is relatively scattered. Following the second layer that is the most scattered, the degree of scattering from the third layer to the fifth layer is similar to the first layer. The attention distances are the most clustered in the sixth layer. Moreover, as shown in Fig. 3(b) in which the number of layers of Transformer is 10, the overall trend is basically similar to Fig. 3(a). Specifically, the attention distances in the first five layers are relatively scattered, and the distance is gradually gathering from the sixth layer.

From the whole trend of attention distance in Fig. 3, we notice that each layer is broadly more clustered than its former layer from the second layer, which indicates that *difffluence loss*

could allow DT-SV to integrate information across the entire utterance to the lower layers. And the distance is stable from the sixth layer, that is to say, the differences among the frame-level embeddings in these layers is slight. The results inspire us that the number of layers of the Transformer in the DT-SV could be set as 4 to hold fewer parameters and achieve decent performance. Alternatively, such number could also be set as 6 to obtain a more powerful model.



(a) Attention distance when the layer of Transformer is 6.



(b) Attention distance when the layer of Transformer is 10.

Fig. 3. The attention distance in each layer.

Comprehensive comparison: The metrics of different models on the CN-CELEB are listed in Table IV. Notice that we select the DT-SV-light to compared with the other three models, wherein the inputs of x-vector and r-vector are the MFCC or Fbank features extracting from the waveform by the standard preprocessing in Fig.2 while the input of the Fast-ResNet34 is the raw waveform. As presented in Table IV, the DT-SV-light achieves the best performance with 12.54% EER, which proves that the TDFE could acquire much better features than the standard preprocessing. Moreover, the fact that the DT-SV-light could achieve decent performance with fewer parameters suggests its enormous potential in industrial applications.

To further demonstrate the effectiveness of our proposed model, we conduct more comprehensive comparison experiments, as the Table V shows, in which the other results

TABLE IV
COMPARISON OF DIFFERENT MODELS ON CN-CELEB.

Front-end	Input	Params(M)	GFLOPs	EER(%)	minDCF
x-vector [28]	MFCC	4.2	2.164	14.78	16.51
r-vector [34]	Fbank	-	-	13.43	N/R
Fast-ResNet34 [35]	Raw waveform	1.9	5.874	13.12	0.611
DT-SV-light	Raw waveform	1.0	0.390	12.54	0.562

TABLE V
RESULTS FOR SPEAKER VERIFICATION ON THE VOXCELEB1, VOXCELEB1-E AND VOXCELEB-H TEST SETS. N/R : NOT REPORT RESULTS. AP: ANGULAR PROTOTYPICAL. DLOSS REPRESENTS THE *difffluence loss*.

Front-end Model	Input	Loss	VoxCeleb1		VoxCeleb1-E		VoxCeleb1-H	
			EER(%)	MinDCF	EER(%)	MinDCF	EER(%)	MinDCF
Thin-ResNet34 [17]	Magnitude	Softmax	2.87	N/ R	2.95	N/R	4.93	N/R
RawNet2 [36]	Raw waveform	Softmax	2.48	N/R	2.57	N/R	4.89	N/R
Wav2spk [37]	Raw waveform	AM-softmax	1.95	0.203	N/R	N/R	N/R	N/R
raw-x-vector [38]	Raw waveform	AM-softmax	N/R	N/R	2.64	N/R	4.34	N/R
ICspk [39]	Raw waveform	AP	1.92	0.137	1.94	0.141	3.78	0.237
TESA [21]	MFCC	Softmax	2.37	0.2	N/R	N/R	N/R	N/R
serialized attention [25]	MFCC	cross entropy	N/R	N/R	2.36	0.242	3.99	0.375
DT-SV	Raw waveform	AAM-softmax	2.07	0.154	2.11	0.161	4.31	0.245
DT-SV	Raw waveform	AAM-softmax+DLoss(Cosine)	1.95	0.132	1.94	0.138	3.96	0.247
DT-SV	Raw waveform	AAM-softmax+DLoss(KL)	1.92	0.130	1.91	0.136	3.72	0.225

are cited from the literatures. Therein, the input of these models are raw waveforms except Thin-ResNet34, TESA and serialized attention model, though TESA and serialized attention are also based on Transformer.

Obviously, the proposed DT-SV could achieve lower EER than most comparative models on all datasets even without the *difffluence loss*. Furthermore, the better performance of the DT-SV after combining with the *difffluence loss*, especially that calculated by KL divergence, indicates that the *difffluence loss* could enhance the related-speaker information effectively. Besides, in comparison to TESA and serialized attention that based on Transformer with well-designed inner structures, the proposed DT-SV based on original Transformer with some minor modifications, such as *difffluence loss*, is quite simple yet extremely effective. More significantly, such loss could be easily incorporated into any existing Transformer-based architectures.

V. CONCLUSION

In this work, we propose an improved Transformer-based time-domain approach for speaker verification named DT-SV, which leverages *time-domain feature extractor* and *difffluence loss* to capture speaker characteristics in an utterance having greater capacity and discrimination. Specifically, the *time-domain feature extractor* could extract features from the raw speech input more precisely and efficiently than the standard mel-fbank extractor. Moreover, a novel loss function named *difffluence loss* could enhance speaker-related information in the utterance-level embedding while weaken such information in other frame-level embeddings. As our experiments demonstrated, the proposed DT-SV could achieve competitive results on the datasets employed. Besides, our proposed architecture

explores the Transformer mechanism for the speaker verification task and hopefully gives an inspiration for other related tasks. Last but not least, the *difffluence loss* could be flexibly embedded into other analogous structures.

ACKNOWLEDGMENT

This paper is supported by the Key Research and Development Program of Guangdong Province under grant No.2021B0101400003. Corresponding author is Jianzong Wang from Ping An Technology (Shenzhen) Co., Ltd (jzwang@188.com).

REFERENCES

- [1] X. Qu, J. Wang, and J. Xiao, "Evolutionary algorithm enhanced neural architecture search for text-independent speaker verification," in *Proc. Interspeech*, 2020, pp. 961–965.
- [2] V. Mingote, A. Miguel, A. Ortega, and E. Lleida, "Memory layers with multi-head attention mechanisms for text-dependent speaker verification," in *2021 IEEE International Conference on Acoustics, Speech and Signal Processing (ICASSP)*. IEEE, 2021, pp. 6154–6158.
- [3] N. Dehak, P. J. Kenny, R. Dehak, P. Dumouchel, and P. Ouellet, "Front-end factor analysis for speaker verification," *IEEE Transactions on Audio, Speech, and Language Processing*, vol. 19, no. 4, pp. 788–798, 2010.
- [4] E. Variani, X. Lei, E. McDermott, I. L. Moreno, and J. Gonzalez-Dominguez, "Deep neural networks for small footprint text-dependent speaker verification," in *2014 IEEE International Conference on Acoustics, Speech and Signal Processing (ICASSP)*. IEEE, 2014, pp. 4052–4056.
- [5] J. Balian, R. Tavarone, M. Pomeyrol, and A. Coucke, "Small footprint text-independent speaker verification for embedded systems," in *2021 IEEE International Conference on Acoustics, Speech and Signal Processing (ICASSP)*. IEEE, 2021, pp. 6179–6183.
- [6] S. Han, J. Byun, and J. W. Shin, "Time-domain speaker verification using temporal convolutional networks," in *2021 IEEE International Conference on Acoustics, Speech and Signal Processing (ICASSP)*. IEEE, 2021, pp. 6688–6692.

- [7] H. Tak, J. Patino, M. Todisco, A. Nautsch, N. Evans, and A. Larcher, "End-to-end anti-spoofing with RawNet2," in *2021 IEEE International Conference on Acoustics, Speech and Signal Processing (ICASSP)*. IEEE, 2021, pp. 6369–6373.
- [8] D. Bahdanau, K. H. Cho, and Y. Bengio, "Neural machine translation by jointly learning to align and translate," in *3rd International Conference on Learning Representations, ICLR 2015*, 2015.
- [9] N. Zhang, J. Wang, W. Wei, X. Qu, N. Cheng, and J. Xiao, "Cacnet: Cube attentional cnn for automatic speech recognition," in *2021 International Joint Conference on Neural Networks (IJCNN)*, 2021, pp. 1–7.
- [10] M. India, P. Safari, and J. Hernando, "Double multi-head attention for speaker verification," in *2021 IEEE International Conference on Acoustics, Speech and Signal Processing (ICASSP)*. IEEE, 2021, pp. 6144–6148.
- [11] H. Wu, X. Li, A. T. Liu, Z. Wu, H. Meng, and H.-y. Lee, "Adversarial defense for automatic speaker verification by cascaded self-supervised learning models," in *2021 IEEE International Conference on Acoustics, Speech and Signal Processing (ICASSP)*. IEEE, 2021, pp. 6718–6722.
- [12] Z. Hong, J. Wang, X. Qu, J. Liu, C. Zhao, and J. Xiao, "Federated Learning with Dynamic Transformer for Text to Speech," in *Proc. Interspeech*, 2021, pp. 3590–3594.
- [13] D. A. Reynolds, T. F. Quatieri, and R. B. Dunn, "Speaker verification using adapted gaussian mixture models," *Digital Signal Processing*, vol. 10, no. 1-3, pp. 19–41, 2000.
- [14] D. Snyder, D. Garcia-Romero, D. Povey, and S. Khudanpur, "Deep neural network embeddings for text-independent speaker verification," in *2017 Conference of the International Speech Communication Association (Interspeech)*, 2017, pp. 999–1003.
- [15] D. Snyder, D. Garcia-Romero, G. Sell, D. Povey, and S. Khudanpur, "X-vectors: Robust dnn embeddings for speaker recognition," in *2018 IEEE International Conference on Acoustics, Speech and Signal Processing (ICASSP)*. IEEE, 2018, pp. 5329–5333.
- [16] A. Waibel, T. Hanazawa, G. Hinton, K. Shikano, and K. J. Lang, "Phoneme recognition using time-delay neural networks," *IEEE Transactions on Acoustics, Apeech, and Signal Processing*, vol. 37, no. 3, pp. 328–339, 1989.
- [17] A. Nagrani, J. S. Chung, W. Xie, and A. Zisserman, "Voxceleb: Large-scale speaker verification in the wild," *Computer Speech & Language*, vol. 60, p. 101027, 2020.
- [18] C. Wang, J. Yi, J. Tao, Y. Bai, and Z. Tian, "Hierarchically attending time-frequency and channel features for improving speaker verification," in *2021 12th International Symposium on Chinese Spoken Language Processing (ISCSLP)*. IEEE, 2021, pp. 1–5.
- [19] J. S. Chung, A. Nagrani, and A. Zisserman, "Voxceleb2: Deep speaker recognition," in *2018 Conference of the International Speech Communication Association (Interspeech)*, 2018, pp. 1086–1090.
- [20] K. Okabe, T. Koshinaka, and K. Shinoda, "Attentive statistics pooling for deep speaker embedding," in *2018 Conference of the International Speech Communication Association (Interspeech)*, 2018, pp. 2252–2256.
- [21] N. J. M. S. Mary, S. Umesh, and S. V. Katta, "S-vectors and TESA: Speaker embeddings and a speaker authenticator based on transformer encoder," *IEEE/ACM Transactions on Audio, Speech, and Language Processing*, vol. 30, pp. 404–413, 2022.
- [22] Y. Zhang, H. Yu, and Z. Ma, "Speaker verification system based on deformable cnn and time-frequency attention," in *2020 Asia-Pacific Signal and Information Processing Association Annual Summit and Conference (APSIPA ASC)*. IEEE, 2020, pp. 1689–1692.
- [23] J. Devlin, M.-W. Chang, K. Lee, and K. Toutanova, "Bert: Pre-training of deep bidirectional transformers for language understanding," *Proceedings of the 2019 Conference of the North American Chapter of the Association for Computational Linguistics: Human Language Technologies, NAACL-HLT*, 2019.
- [24] S. Ioffe, "Probabilistic linear discriminant analysis," in *European Conference on Computer Vision*. Springer, 2006, pp. 531–542.
- [25] H. Zhu, K. A. Lee, and H. Li, "Serialized multi-layer multi-head attention for neural speaker embedding," in *2021 Conference of the International Speech Communication Association (Interspeech)*, 2021, pp. 106–110.
- [26] A. Dosovitskiy, L. Beyer, A. Kolesnikov, D. Weissenborn, X. Zhai, T. Unterthiner, M. Dehghani, M. Minderer, G. Heigold, S. Gelly *et al.*, "An image is worth 16x16 words: Transformers for image recognition at scale," in *9th International Conference on Learning Representations, ICLR 2020*, 2020.
- [27] J. Deng, J. Guo, N. Xue, and S. Zafeiriou, "Arcface: Additive angular margin loss for deep face recognition," in *Proceedings of the IEEE/CVF Conference on Computer Vision and Pattern Recognition*, 2019, pp. 4690–4699.
- [28] Y. Fan, J. Kang, L. Li, K. Li, H. Chen, S. Cheng, P. Zhang, Z. Zhou, Y. Cai, and D. Wang, "CN-CELEB: a challenging chinese speaker recognition dataset," in *2020 IEEE International Conference on Acoustics, Speech and Signal Processing (ICASSP)*. IEEE, 2020, pp. 7604–7608.
- [29] A. Nagrani, J. S. Chung, and A. Zisserman, "VoxCeleb: A large-scale speaker identification dataset," in *2017 Conference of the International Speech Communication Association (Interspeech)*, 2017, pp. 2616–2620.
- [30] H. Zeinali, L. Burget, J. Rohdin, T. Stafylakis, and J. H. Cernocky, "How to improve your speaker embeddings extractor in generic toolkits," in *2019 IEEE International Conference on Acoustics, Speech and Signal Processing (ICASSP)*. IEEE, 2019, pp. 6141–6145.
- [31] D. P. Kingma and J. Ba, "Adam: A method for stochastic optimization," *arXiv preprint arXiv:1412.6980*, 2014.
- [32] D. S. Park, W. Chan, Y. Zhang, C.-C. Chiu, B. Zoph, E. D. Cubuk, and Q. V. Le, "SpecAugment: A simple data augmentation method for automatic speech recognition," in *2019 Conference of the International Speech Communication Association (Interspeech)*, 2019, pp. 2613–2617.
- [33] Z. Dai, Z. Yang, Y. Yang, J. G. Carbonell, Q. Le, and R. Salakhutdinov, "Transformer-XL: Attentive language models beyond a fixed-length context," in *Proceedings of the 57th Annual Meeting of the Association for Computational Linguistics*, 2019, pp. 2978–2988.
- [34] Z. Chen, S. Wang, and Y. Qian, "Self-supervised learning based domain adaptation for robust speaker verification," in *I2021 IEEE International Conference on Acoustics, Speech and Signal Processing (ICASSP)*, 2021, pp. 5834–5838.
- [35] J. S. Chung, J. Huh, S. Mun, M. Lee, H. S. Heo, S. Choe, C. Ham, S. Jung, B.-J. Lee, and I. Han, "In defence of metric learning for speaker recognition," in *2020 Conference of the International Speech Communication Association (Interspeech)*, 2020, pp. 2977–2981.
- [36] J.-w. Jung, S.-b. Kim, H.-j. Shim, J.-h. Kim, and H.-J. Yu, "Improved RawNet with feature map scaling for text-independent speaker verification using raw waveforms," in *2020 Conference of the International Speech Communication Association (Interspeech)*, 2020, pp. 1496–1500.
- [37] W. Lin and M.-W. Mak, "Wav2Spk: A simple DNN architecture for learning speaker embeddings from waveforms," in *2020 Conference of the International Speech Communication Association (Interspeech)*, 2020, pp. 3211–3215.
- [38] G. Zhu, F. Jiang, and Z. Duan, "Raw-x-vector: Multi-scale time domain speaker embedding network," *arXiv preprint arXiv:2010.12951*, 2020.
- [39] J. Peng, X. Qu, J. Wang, R. Gu, and J. Xiao, "ICSpk: Interpretable complex speaker embedding extractor from raw waveform," in *2021 Conference of the International Speech Communication Association (Interspeech)*, 2021, pp. 511–515.