

Facial Affect Recognition based on Transformer Encoder and Audiovisual Fusion for the ABAW5 Challenge

Ziyang Zhang*, Liuwei An*, Zishun Cui, Ao Xu, Tengpeng Dong, Yueqi Jiang, Jingyi Shi, Xin Liu
Xiao Sun[†], Meng Wang[†]

Hefei University of Technology, Hefei, China

{zzzzzy, anliuwei, 2022171285, 2022111070, 2022180026, 2017217795, 2019213576, 2019218059}@mail.hfut.edu.cn
sunx@hfut.edu.cn eric.mengwang@gmail.com

Abstract

In this paper, we present our solutions for the 5th Workshop and Competition on Affective Behavior Analysis in-the-wild (ABAW), which includes four sub-challenges of Valence-Arousal (VA) Estimation, Expression (Expr) Classification, Action Unit (AU) Detection and Emotional Reaction Intensity (ERI) Estimation. The 5th ABAW competition focuses on facial affect recognition utilizing different modalities and datasets. In our work, we extract powerful audio and visual features using a large number of sota models. These features are fused by Transformer Encoder and TEMMA. Besides, to avoid the possible impact of large dimensional differences between various features, we design an Affine Module to align different features to the same dimension. Extensive experiments demonstrate that the superiority of the proposed method. For the VA Estimation sub-challenge, our method obtains the mean Concordance Correlation Coefficient (CCC) of 0.6066. For the Expression Classification sub-challenge, the average F1 Score is 0.4055. For the AU Detection sub-challenge, the average F1 Score is 0.5296. For the Emotional Reaction Intensity Estimation sub-challenge, the average pearson's correlations coefficient on the validation set is 0.3968. All of the results of four sub-challenges outperform the baseline with a large margin.

Introduction

Sentiment analysis is an important research field of pattern recognition, which introduces affective dimension into human-computer interaction. There are a number of related applications spread across a variety of fields, such as auxiliary treatment of mental illness, detection of fatigue driving, analysis of consumer attitudes, etc (Haque et al. 2018; Sikanter and Anwar 2019; Kolhatkar et al. 2020).

Among the various affective factors, facial information is the most intuitive and realistic. In this paper, we focus on facial affect recognition and extensively present our solutions for the 5th Workshop and Competition on Affective Behavior Analysis in-the-wild (ABAW), which includes four sub-challenges of Valence-Arousal (VA) Estimation Challenge, Expression (Expr) Classification Challenge, Action Unit (AU) Detection Challenge and Emotional Reaction Intensity (ERI) Estimation Challenge.

*These authors contributed equally.

[†]Corresponding Author.

There are mainly two paradigms of emotions used in the emotion recognition, i.e. categorical and dimensional. Categorical emotions are based on the six basic emotions proposed by Ekman (happiness, sadness, fear, anger, disgust, and surprise) (Ekman 1992). Dimensional approaches mainly use two dimensions : valence and arousal which are based on Russell's circumplex model of emotions (Russell 1980). Valence refers to how negative to positive the person feels and arousal refers to how sleepy to active a person feels.

For Valence-Arousal (VA) Estimation Challenge, the level of valence and arousal in a time-continuous manner needs to be predicted from audio-visual recordings. It is necessary to predict the values of valence and arousal in a continuous way using the database which consists of around 3M frames annotated in terms of valence and arousal.

For Expression (Expr) Classification Challenge, we need to train a model to predict 6 basic expressions, the neutral state and a category 'other' using the database which consists of around 2.7M frames that are annotated in terms of the 6 basic expressions (i.e. anger, disgust, fear, happiness, sadness, surprise), plus the neutral state, plus a category 'other' that denotes expressions/affective states other than the 6 basic ones.

For Action Unit (AU) Detection Challenge, the facial action coding system (FACS) (Ekman and Friesen 2019) defines a group of action units (AU) from the perspective of facial anatomy, which is used to accurately describe the changes of facial expression. Each facial action unit describes the apparent changes caused by a group of facial muscle movements, which can express any facial expression. AU detection is a multi-label classification problem. Its challenges lie in insufficient labeling data, head posture interference, individual differences, and the imbalance of different AU categories. We need to train a model to predict whether AUs are active using the database which consists of around 2.7M frames that are annotated in terms of 12 action units.

For Emotional Reaction Intensity (ERI) Estimation Challenge, compared with facial expression classification, Emotional Reaction Intensity (ERI) Estimation is more challenging. For people of different ages, genders, and cultural backgrounds, their emotional experience often has great differences, which makes the Emotional Interaction Intensity

(ERI) Estimation more complex, and requires multi-modal information to make complex emotional recognition. We need to train a multi-model to predict 7 emotional experiences using the Hume-Reaction dataset which consists of subjects reacting to a wide range of various emotional video-based stimuli including Adoration, Amusement, Anxiety, Disgust, Empathic Pain, Fear, and Surprise.

The main contribution of the proposed method can be summarized as:

1. We extract potentially useful information from two modalities, audio and visual, respectively. For the audio modality, we extract audio features using the correlation toolkit. For the visual modality, we use many sota models to extract the corresponding emotional features or facial features.
2. To mitigate the possible impact of large dimensional differences between features, we design an Affine Module to align different features to the same dimension and add positional encoding to convey the contextual relationship of the sequence to the model.
3. We explored all four challenges of ABAW5, and although for the encoder part we used all common Transformer encoder, we achieved good performance by adding Affine Module, already with a reasonable combination of features.

Related Work

Multimodal Features

The utilization of multimodal features, including visual, audio, and text features, has been extensively employed in previous ABAW competitions (Zafeiriou et al. 2017; Kollias, Sharmanska, and Zafeiriou 2019; Kollias and Zafeiriou 2019; Kollias et al.; Kollias and Zafeiriou 2021a,b; Kollias, Sharmanska, and Zafeiriou 2021; Kollias 2022, 2023; Kollias et al. 2023). We can improve the performance in affective behavior analysis tasks by extracting and analyzing these multimodal features.

In the visual modality, the facial expression is an important aspect to understand and analyze emotions. In the Facial Action Coding System (FACS) (Ekman and Friesen 1978) proposed by Friesen and Ekman in 1978, the human face is represented by a set of specific facial muscle movements known as Action Units (AUs) and it has been widely applied in studies of facial expressions (Martinez et al. 2017). With the development of deep learning, it has been found that visual features based on convolutional (Poria et al. 2016) and transformer (Vaswani et al. 2017a; Han et al. 2022) networks can achieve better results.

In the context of affective computing, audio features, which typically include energy features, time-domain features, frequency-domain features, psychoacoustic features, and perceptual features, have been extensively utilized and shown to achieve promising performance in tasks such as expression classification and VA estimation (Zhang et al. 2018; Stuhlsatz et al. 2011; Lieskovská et al. 2021). These features can be extracted through pyAudioAnalysis (Giannakopoulos

2015), which is a Python library covering a wide range of audio analysis tasks. Similar to visual features, deep learning has also been widely used in acoustic feature extraction.

The text modality has been increasingly explored to address emotion recognition tasks. To enhance the effectiveness of text modality, Word2Vec (Mikolov et al. 2013) and GloVe (Pennington, Socher, and Manning 2014) have been proposed and demonstrated to achieve superior performance. In ABAW3 competition, Zhang et al. (Zhang et al. 2022b) utilized a word embedding extractor to extract text features, achieving promising results.

In the previous editions of the ABAW competition, many teams utilized multimodal features (Kollias 2022; Jiang et al. 2022; Jin et al. 2021; Meng et al. 2022; Zhang et al. 2022b,a). The model proposed by Meng et al. (Meng et al. 2022) leverages both audio and visual features, ultimately achieving first place in the VA track. To fully exploit the in-the-wild emotion information, Zhang et al. (Zhang et al. 2022b) utilizes the multimodal information from the images, audio and text and propose a unified multimodal framework for AU detection and expression recognition. The proposed framework achieved the highest scores on both tasks. These approaches convincingly demonstrate the effectiveness of multimodal features in affective behavior analysis tasks.

Multimodal Structure

In early studies, Zadeh et al. (Zadeh et al. 2016) and Pérez-Rosa et al. (Pérez-Rosas, Mihalcea, and Morency 2013) employed concatenated multimodal features to train Support Vector Machine (SVM) models, which were inadequate in effectively modeling the multimodal information. Recent research on multimodal emotion analysis has mainly used deep learning models to model both intra-modal and inter-modal information interactions. Truong et al. (Truong and Lauw 2019) develops a neural network model called Visual Aspect Attention Network (VistaNet), which takes visual information as the alignment source at the sentence level. This multimodal structure enables the model to pay more attention to these sentences when classifying emotions. Currently, the use of Transformer for multimodal learning has become mainstream in multimodal algorithms. In the field of image-text matching, ALBEF (Li et al. 2021) is to some extent inspired by the CLIP (Radford et al. 2021) model, introducing the idea of multimodal contrastive learning into multimodal models, achieving the unity of multimodal contrastive learning and multimodal fusion learning. In the previous ABAW competition, (Kim, Kim, and Won 2022; Tallec et al. 2022; Wang, Wang, and Qi 2022; Zhang et al. 2022b) utilizes transformer structures and achieves outstanding performance.

Multimodal Fusion

Multimodal research places great importance on fusion, the process of combining information extracted from multiple unimodal data sources into a unified and compact multimodal representation. Fusion methods are typically categorized according to the different stages in which fusion occurs, including early fusion, late fusion, hybrid fusion and so on (Zhang et al. 2020).

During early fusion, the features are directly combined into general feature vectors for analysis by the model. Nagrani et al. (Nagrani et al. 2021) directly inputs a sequence of visual and auditory patches into the transformer. This early fusion model allows attention to flow freely between different spatial and temporal regions of the image, as well as across frequency and time in the audio spectrogram.

In the late fusion, each modality's features are independently analyzed, and their final outputs are then fused to acquire a better prediction. Zhang et al. (Zhang et al. 2022b) propose a unified late fusion framework for both Action Unit (AU) detection and expression recognition, leveraging multimodal information from images, audio, and text. The late fusion framework effectively incorporates prior multimodal knowledge, enabling effective emotion analysis from different perspectives and leading to the championship in both the AU and Expression tracks of ABAW3 competition.

As a fusion of both, Hybrid fusion combines the advantages of both early fusion and late fusion. Li et al. (Li et al. 2022) proposes a hybrid fusion method which leads them to the winner of MuSe-Reaction competition. In (Li et al. 2022), audio features, facial expression features and paragraph-level text embeddings are fused at the feature level and then fed into the MMA module to extract complementary information from different modalities and calculate interactions between modalities.

Feature Extraction

Audio Features

IS09:The INTERSPEECH 2009 (IS09) feature set was introduced at the INTERSPEECH 2009 Emotion Challenge (Schuller, Steidl, and Batliner 2009), and it consists of 384 features that are derived from statistical functions applied to low-level descriptor contours. To extract these features, we utilized the openSMILE toolkit (Schuller et al. 2013).

VGGish:VGGish (Hershey et al. 2017) is a pre-trained neural network by Google for extracting speech-related features from audio signals. Its output is a 128-dimensional feature vector that can be used for speech-related tasks.

eGeMAPS:The extended Geneva Minimalistic Acoustic Parameter Set (eGeMAPS) (Zhao et al. 2018) is an extension of GeMAPS. The audio feature set in eGeMAPS is designed based on expert knowledge. eGeMAPS has only 88-dimensional features compared to traditional high-dimensional feature sets, but it shows higher robustness to speech emotion modeling problems.

DeepSpectrum:DeepSpectrum (Amiriparian et al. 2017) is a method of extracting deep spectrum features from audio file spectrograms using pre-trained convolutional neural networks (CNNs). These features are obtained by forwarding spectrograms through very deep task-independent pre-trained CNNs, and extracting the activations of fully connected layers as feature vectors. The dimension of the audio feature vectors is 1024.

CNN14:To obtain the high-level deep acoustic representations, a supervised model called PANNs (Gemmeke et al. 2017) is utilized, which has been pre-trained on the Au-

dioSet dataset (Gemmeke et al. 2017). PANNs comprises of multiple systems, and for this purpose, the CNN14 system that was trained using 16 kHz audio recordings is employed to generate a feature vector consisting of 2048 dimensions.

Visual Features

EAC:Erasing Attention Consistency (EAC) (Zhang et al. 2022c) is a novel approach for addressing noisy samples during model training. The method leverages the flip semantic consistency of facial images to create an imbalanced framework, and randomly erases input images to prevent the model from overemphasizing specific features. By using flip attention consistency, EAC outperforms state-of-the-art methods for dealing with noisy labeled facial expression recognition (FER) datasets, and also generalizes well to other tasks with a large number of classes.

The EAC method, based on the ResNet50, achieves a high accuracy rate of 90.35% on the RAF-DB (Li, Deng, and Du 2017) dataset, and the dimension of the resulting visual feature vector is 2048.

ResNet-18:ResNet (He et al. 2016) is a deep learning architecture that addresses the vanishing gradient problem in deep neural networks by introducing residual connections. These connections create shortcuts across the network, allowing the input signal to bypass multiple layers and directly propagate to the deeper layers. This helps the network learn much deeper representations. In this study, we trained ResNet-18 using the AffectNet (Mollahosseini, Hasani, and Mahoor 2017) dataset and obtained a 512-dimensional visual feature vector.

POSTER:The two-stream Pyramid crOSS-fusion Transformer network (POSTER) (Zheng, Mendieta, and Chen 2022) is proposed to address the challenges of facial expression recognition. It effectively integrates facial landmark and direct image features using a transformer-based cross-fusion paradigm and employs a pyramid structure to ensure scale invariance. Extensive experimental results demonstrate that POSTER outperforms SOTA methods on RAF-DB with 92.05%, AffectNet (7 cls) with 67.31%, and AffectNet (8 cls) with 63.34%, respectively. The dimension of the visual feature vectors is 768.

POSTER2:The proposed POSTER2 (Mao et al. 2023) aims to improve upon the complex architecture of POSTER, which achieves state-of-the-art performance in facial expression recognition (FER) by combining facial landmark and image features through a two-stream pyramid cross-fusion design. POSTER2 reduces computational cost by using a window-based cross-attention mechanism, removing the image-to-landmark branch in the two-stream design, and combining images with landmark's multi-scale features. Experimental results show that POSTER2 achieves state-of-the-art FER performance with minimum computational cost on several standard datasets. For example, POSTER2 achieves 92.21% on RAF-DB, 67.49% on AffectNet (7 cls), and 63.77% on AffectNet (8 cls) using only 8.4G FLOPs and 43.7M Params. The same visual feature dimension as POSTER is 768.

FAU:Facial Action Units (FAU), originally introduced by Ekman and Friesen (Ekman and Friesen 1978), are strongly

associated with the expression of emotions . Therefore, the detection of FAU has become a popular and promising method for predicting affect-related targets. We use the OpenFace(Baltrusaitis et al. 2018) open source framework to extract FAU features and get a 17-dimensional feature vector.

Method

The 5th Competition on ABAW included a total of 4 challenges and we participated in all of them. Although the tasks for each challenge were not the same, our model for each challenge followed a basic framework. In detail, for the former three challenges, we refer to the design of the classical Transformer model(Vaswani et al. 2017b), and for the fourth challenge, we adopt the Transformer Encoder with Multimodal Multi-Head Attention (TEMMA)(Chen, Jiang, and Sahli 2021) model.

The overall pipeline consists of four stages. Firstly, we use existing pre-trained models or toolkits to extract the visual and audio features corresponding to each video frame in the videos. Secondly, each visual or audio feature sequence is input to the Affine Module to get features with the same dimension. Thirdly, these features are concat and then input to the Transformer Encoder we constructed to model the temporal features. Finally, the output of the encoder is input to the Output Layer to get the corresponding output. Figure 1 shows the overall framework of our proposed method.

The main notations used in this paper are listed as follows. Give a video, we can extract the visual features or audio features corresponding to all its video frames separately. We denote all the features by f_1, f_2, \dots, f_n , where n is the number of features. For each of the four challenges, we denote their labels by $y^{va}, y^{expr}, y^{au}, y^{eri}$.

Affine Module

In our experiments, the inputs are one or several visual features or audio features, yet their dimensions are often different, even by a large margin. The dimensions of the features are shown in table 1. We can see that the EAC feature have 2048 dimensions while FAU has only 17 dimensions. We think that too large a dimensional difference could diminish the effect of useful features. For this purpose, we design the Affine Module. For the former three challenges, we use Linear layers to affine the features of different dimension to the same dimension. Besides, following the setup of the classical Transformer(Vaswani et al. 2017b), we add Position Encoding(PE) to each feature sequence for conveying its contextual temporal information. It can be formulated as follows:

$$\hat{f}_i = (W_A f_i + b_A) + PE \quad (1)$$

where W_A and b_A are learnable parameters.

For the fourth challenge, we use 1D temporal convolution network to capture temporal information for each features. For the outputs, we also add the positional encoding.

Feature	Modality	Dimension
IS09	A	384
CNN14	A	2048
VGGish	A	128
eGeMAPS	A	88
DeepSpectrum	A	1024
EAC	V	2048
FAU	V	17
ResNet18	V	512
POSTER	V	768
POSTER2	V	768

Table 1: The dimensions of features.

Transformer Encoder

We model the temporal feature using the classical Transformer Encoder(Vaswani et al. 2017b). As shown in Equation 2 and Equation 3, we first concat the outputs of the affine module and next input them to the Transformer Encoder for former three challenge. As shown in Equation 4, we use TEMMA model to obtain the temporal feature for the fourth challenge. It can be formulated as follows:

$$\hat{f} = \text{concat}(\hat{f}_1, \hat{f}_2, \dots, \hat{f}_n) \quad (2)$$

$$t = \text{TransformerEncoder}(\hat{f}) \quad (3)$$

$$t = \text{TEMMA}(\hat{f}) \quad (4)$$

where t is the temporal feature.

Output Layer

After getting the temporal feature by Transformer Encoder, we input the feature t to the Output Layer. The Output Layer consists of fully-connected layer, which can be formulated as follows:

$$\hat{y} = Wt + b \quad (5)$$

which W and b are learnable parameters. \hat{y} is the prediction.

Loss Function

Since each task is different, we apply different loss function. Next, we introduce them separately.

Valence-Arousal(VA) Estimation Challenge We utilize the Mean Squared Error (MSE) as the loss function for the VA challenge, which can be formulated as:

$$L(y, \hat{y}) = \frac{1}{N} \sum_{i=1}^N (y_i - \hat{y}_i)^2 \quad (6)$$

which y_i and \hat{y}_i is the label and prediction of valence or arousal, N is the number of frames in a batch.

Expression (Expr) Classification Challenge We utilize the Cross Entropy (CE) as the loss function for the Expr challenge, which can be formulated as:

$$L(y, \hat{y}) = - \sum_{i=1}^N \sum_{j=1}^C y_{ij} \log \hat{y}_{ij} \quad (7)$$

which y_{ij} and \hat{y}_{ij} is the label and prediction of expression, N is the number of frames in a batch and $C = 8$ which denotes the number of expressions.

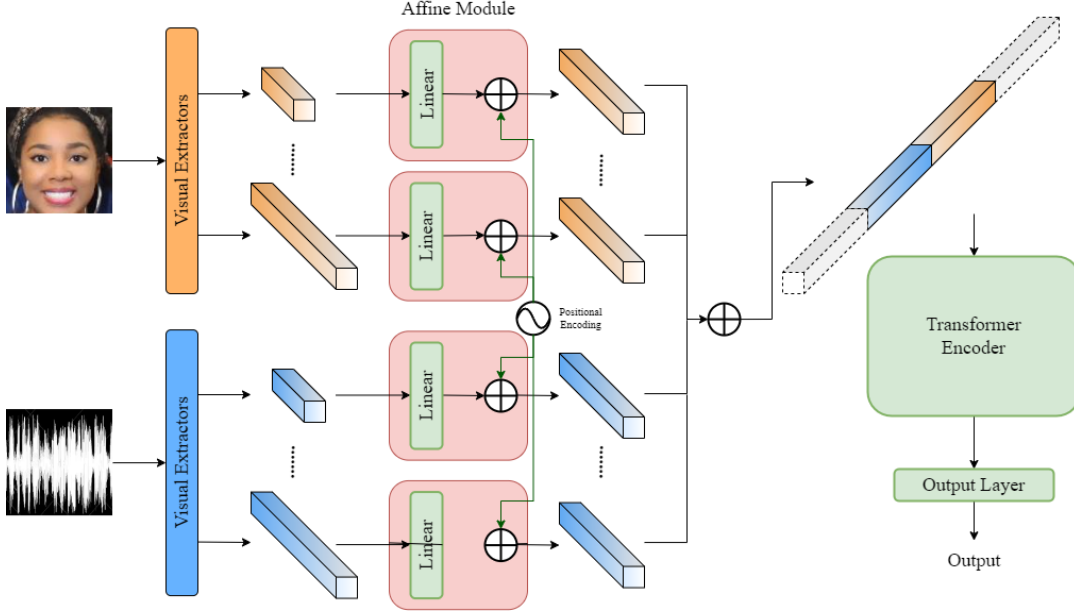


Figure 1: The overall framework of our proposed method.

Action Unit (AU) Detection Challenge We utilize the weighted asymmetric loss (Luo et al. 2022) as the loss function for the AU challenge, which can be formulated as:

$$L(y, \hat{y}) = -\frac{1}{N} \sum_{i=1}^N w_i [y_i \log \hat{y}_i + (1 - y_i) \hat{y}_i \log (1 - \hat{y}_i)] \quad (8)$$

which \hat{y}_i , y_i and w_i are the prediction (occurrence probability), ground truth and weight of the i^{th} AU. By the way, w_i is defined by the occurrence rate of the i^{th} AU in the whole training set.

Emotional Reaction Intensity (ERI) Estimation Challenge We also utilize the Mean Squared Error (MSE) as the loss function for the ERI challenge, which can be formulated as:

$$L(y, \hat{y}) = \frac{1}{NC} \sum_{i=1}^N \sum_{j=1}^C (y_{ij} - \hat{y}_{ij})^2 \quad (9)$$

which y_{ij} and \hat{y}_{ij} is the label and prediction of expression, N is the number of frames in a batch and $C = 7$ which denotes the number of emotional reactions.

Experiments

Dataset

The 5th ABAW competition includes four challenges: 1) Valence-Arousal (VA) Estimation, 2) Expression (Expr) Classification, 3) Action Unit (AU) Detection, and 4) Emotional Reaction Intensity (ERI) Estimation. All challenges will accept only uni-task solutions. The second challenge involves 548 videos, while the third challenge involves 547 videos. Both challenges are based on Aff-Wild2, which is

an audiovisual dataset containing approximately 2.7 million frames in total. For the first challenge an augmented version of the Aff-Wild2 database is used. This database consists of 594 videos of around 3M frames of 584 subjects annotated in terms of valence and arousal.

As for the fourth challenge, the Hume-Reaction dataset is used. The dataset is a multimodal collection of approximately 75 hours of video recordings capturing 2222 subjects from South Africa and the United States reacting to a variety of emotional video stimuli in their homes via webcam.

We use the RAF-DB and AffectNet datasets for pre-training visual feature extractors. The RAF-DB is a large-scale database which consists of approximately 30,000 facial images from thousands of individuals. Each image has been annotated independently about 40 times and then filtered using the EM algorithm to remove unreliable annotations. AffectNet dataset is a large facial expression recognition dataset containing over one million facial images collected from the internet. About half of the images have been manually annotated for seven discrete facial expressions (neutral, happy, sad, angry, fearful, surprised, and disgusted) and the intensity of valence and arousal present in the facial expression.

Experiment Setup

For the former three challenge, due to the limitation of GPU memory, we segment each video with segment length set to 256. The batchsize size is 128, the output dimension of the affine module is 512 or 256, the number of encoder layers is 4, and the number of attention headers is 4. The feedforward and hidden layer dimensions are determined by the input dimension.

For the fourth challenge, the number of convolutional layers is 5 and the kernel size is 3 in the input process block.

Features	Valence	Arousal	Mean
Baseline	0.24	0.20	0.22
EAC	0.4479	0.5878	0.5179
POSTER	0.3920	0.6317	0.5119
ResNet18	0.4762	0.5671	0.5217
POSTER2	0.5374	0.6297	0.5836
ResNet18+VGGish	0.4742	0.6220	0.5481
ResNet18+POSTER2	0.5515	0.6429	0.5972
ResNet18+POSTER2+FAU	0.4868	0.6301	0.5585
POSTER2+POSTER+VGGish	0.5003	0.6946	0.5975
EAC+ResNet18+POSTER2+VGGish	0.5542	0.6590	0.6066

Table 2: The results on the validation set of Valence-Arousal Estimation Challenge.

The encoder blocks in the Multimodal encoder module is 4 and the number of heads in the multi-head attention layer is 4. For the inference module, the number of nodes in the last fully connected layer is 256 and the dropout is 0.2.

All the experiments are implemented with Pytorch. We adopt the Adam optimizer with the initial learning rate of 0.0001.

Experimental Results

Valence-Arousal(VA) Estimation Challenge For the Valence-Arousal Estimation Challenge, table 2 shows the results of using single feature or using multiple features at the same time on the validation set.

As can be seen in table 2, for single features, POSTER2 performs best, and it has the best results in Valence, Arousal and Mean. It is obvious that for multiple features, the best combination of each value contains the feature POSTER2, which is a good indication of the effectiveness of the feature. In addition to this, we also find that the audio feature VGGish is useful for performance improvement.

Expression (Expr) Classification Challenge For the Expression Classification Challenge, table 3 shows the results of using single feature or using multiple features at the same time on the validation set.

For the Expression Classification Challenge, we can see that most of the features perform somewhat poorly in the classification task, both single and multiple features. The exception is the feature POSTER2, which extracts the expression information in the video quite well and achieves the best results with the F1 Score metric.

Action Unit (AU) Detection Challenge For the Action Unit Detection Challenge, table 4 shows the results of using single feature or using multiple features at the same time on the validation set.

For the Action Unit Detection Challenge, we can see that the performance of all features in the detection task is relatively close for both single and multi-features. It is obvious that FAU features can have some effect, while audio features are not effective. Our best result come from POSTER2 and FAU.

Emotional Reaction Intensity (ERI) Estimation Challenge For the Emotional Reaction Intensity Estimation Challenge, table 5 shows the results of using single feature

Features	F1
Baseline	0.23
EAC	0.3188
POSTER	0.3215
ResNet18	0.3176
POSTER2	0.4055
ResNet18+FAU	0.3287
POSTER2+POSTER	0.3630
ResNet18+POSTER2	0.3957
ResNet18+POSTER2+VGGish	0.3580
EAC+ResNet18+POSTER2+VGGish	0.3306

Table 3: The results on the validation set of Expression Classification Challenge.

Features	F1
Baseline	0.39
EAC	0.4881
POSTER	0.5046
ResNet18	0.5114
POSTER2	0.5181
ResNet18+FAU	0.5079
POSTER2+FAU	0.5296
POSTER2+POSTER	0.5112
ResNet18+POSTER2	0.5247
ResNet18+POSTER2+VGGish	0.5014
EAC+ResNet18+POSTER2+VGGish	0.4949

Table 4: The results on the validation set of Action Unit Detection Challenge.

or using multiple features at the same time on the validation set.

Features	PCC
Baseline	0.2488
CNN14	0.1582
ResNet18	0.3893
eGeMAPS	0.0733
DeepSpectrum	0.1835
ResNet18+CNN14	0.3839
ResNet18+eGeMAPS	0.3809
ResNet18+DeepSpectrum	0.3968

Table 5: The results on the validation set of Emotional Reaction Intensity Estimation Challenge.

The combination of ResNet18 features with low-level audio features such as eGeMAPS and CNN14 gives poorer results than the performance of ResNet18 features, suggesting that they are not effective. The combination of ResNet18 and DeepSpectrum yields better results. This shows that these two features can complement each other to provide more comprehensive expression information.

Conclusion

In this paper, we present our solutions for the 5th Workshop and Competition on Affective Behavior Analysis in-

the-wild (ABAW), which includes four sub-challenges of Valence-Arousal (VA) Estimation Challenge, Expression (Expr) Classification Challenge, Action Unit (AU) Detection Challenge and Emotional Reaction Intensity (ERI) Estimation Challenge. We extract powerful audio and visual features and designed an Affine Module to mitigate the impact of different features. Extensive experiments demonstrate that our method significantly outperforms the baseline and achieves excellent results in the four sub-challenges.

References

- Amiriparian, S.; Gerczuk, M.; Ottl, S.; Cummins, N.; Freitag, M.; Pugachevskiy, S.; Baird, A.; and Schuller, B. 2017. Snore sound classification using image-based deep spectrum features.
- Baltrusaitis, T.; Zadeh, A.; Lim, Y. C.; and Morency, L.-P. 2018. Openface 2.0: Facial behavior analysis toolkit. In *2018 13th IEEE international conference on automatic face & gesture recognition (FG 2018)*, 59–66. IEEE.
- Chen, H.; Jiang, D.; and Sahli, H. 2021. Transformer Encoder With Multi-Modal Multi-Head Attention for Continuous Affect Recognition. *IEEE Transactions on Multimedia*.
- Ekman, P. 1992. An argument for basic emotions.
- Ekman, P.; and Friesen, W. V. 1978. Facial action coding system. *Environmental Psychology & Nonverbal Behavior*.
- Ekman, P.; and Friesen, W. V. 2019. Facial action coding system.
- Gemmeke, J. F.; Ellis, D. P.; Freedman, D.; Jansen, A.; Lawrence, W.; Moore, R. C.; Plakal, M.; and Ritter, M. 2017. Audio set: An ontology and human-labeled dataset for audio events. In *2017 IEEE international conference on acoustics, speech and signal processing (ICASSP)*, 776–780. IEEE.
- Giannakopoulos, T. 2015. pyAudioAnalysis: An Open-Source Python Library for Audio Signal Analysis. *PloS one*, 10(12).
- Han, K.; Wang, Y.; Chen, H.; Chen, X.; Guo, J.; Liu, Z.; Tang, Y.; Xiao, A.; Xu, C.; Xu, Y.; et al. 2022. A survey on vision transformer. *IEEE transactions on pattern analysis and machine intelligence*, 45(1): 87–110.
- Haque, A.; Guo, M.; Miner, A. S.; and Fei-Fei, L. 2018. Measuring Depression Symptom Severity from Spoken Language and 3D Facial Expressions. *arXiv: Computer Vision and Pattern Recognition*.
- He, K.; Zhang, X.; Ren, S.; and Sun, J. 2016. Deep residual learning for image recognition. In *Proceedings of the IEEE conference on computer vision and pattern recognition*, 770–778.
- Hershey, S.; Chaudhuri, S.; Ellis, D. P.; Gemmeke, J. F.; Jansen, A.; Moore, R. C.; Plakal, M.; Platt, D.; Saurous, R. A.; Seybold, B.; et al. 2017. CNN architectures for large-scale audio classification. In *2017 IEEE international conference on acoustics, speech and signal processing (icassp)*, 131–135. IEEE.
- Jiang, W.; Wu, Y.; Qiao, F.; Meng, L.; Deng, Y.; and Liu, C. 2022. Facial action unit recognition with multi-models ensembling. *arXiv preprint arXiv:2203.13046*.
- Jin, Y.; Zheng, T.; Gao, C.; and Xu, G. 2021. A multi-modal and multi-task learning method for action unit and expression recognition. *arXiv preprint arXiv:2107.04187*.
- Kim, J.-H.; Kim, N.; and Won, C. S. 2022. Facial expression recognition with swin transformer. *arXiv preprint arXiv:2203.13472*.
- Kolhatkar, V.; Wu, H.; Cavasso, L.; Francis, E.; Shukla, K.; and Taboada, M. 2020. The SFU Opinion and Comments Corpus: A Corpus for the Analysis of Online News Comments. *Corpus pragmatics*.
- Kollias, D. 2022. Abaw: Valence-arousal estimation, expression recognition, action unit detection & multi-task learning challenges. In *Proceedings of the IEEE/CVF Conference on Computer Vision and Pattern Recognition*, 2328–2336.
- Kollias, D. 2023. ABAW: learning from synthetic data & multi-task learning challenges. In *European Conference on Computer Vision*, 157–172. Springer.
- Kollias, D.; Schulc, A.; Hajiyev, E.; and Zafeiriou, S. 2022. Analysing Affective Behavior in the First ABAW 2020 Competition. In *2020 15th IEEE International Conference on Automatic Face and Gesture Recognition (FG 2020)(FG)*, 794–800.
- Kollias, D.; Sharmanska, V.; and Zafeiriou, S. 2019. Face Behavior a la carte: Expressions, Affect and Action Units in a Single Network. *arXiv preprint arXiv:1910.11111*.
- Kollias, D.; Sharmanska, V.; and Zafeiriou, S. 2021. Distribution Matching for Heterogeneous Multi-Task Learning: a Large-scale Face Study. *arXiv preprint arXiv:2105.03790*.
- Kollias, D.; Tzirakis, P.; Baird, A.; Cowen, A.; and Zafeiriou, S. 2023. ABAW: Valence-Arousal Estimation, Expression Recognition, Action Unit Detection & Emotional Reaction Intensity Estimation Challenges. *arXiv preprint arXiv:2303.01498*.
- Kollias, D.; and Zafeiriou, S. 2019. Expression, Affect, Action Unit Recognition: Aff-Wild2, Multi-Task Learning and ArcFace. *arXiv preprint arXiv:1910.04855*.
- Kollias, D.; and Zafeiriou, S. 2021a. Affect Analysis in-the-wild: Valence-Arousal, Expressions, Action Units and a Unified Framework. *arXiv preprint arXiv:2103.15792*.
- Kollias, D.; and Zafeiriou, S. 2021b. Analysing affective behavior in the second abaw2 competition. In *Proceedings of the IEEE/CVF International Conference on Computer Vision*, 3652–3660.
- Li, J.; Selvaraju, R.; Gotmare, A.; Joty, S.; Xiong, C.; and Hoi, S. C. H. 2021. Align before fuse: Vision and language representation learning with momentum distillation. *Advances in neural information processing systems*, 34: 9694–9705.
- Li, J.; Zhang, Z.; Lang, J.; Jiang, Y.; An, L.; Zou, P.; Xu, Y.; Gao, S.; Lin, J.; Fan, C.; et al. 2022. Hybrid Multimodal Feature Extraction, Mining and Fusion for Sentiment Analysis. In *Proceedings of the 3rd International on Multimodal Sentiment Analysis Workshop and Challenge*, 81–88.
- Li, S.; Deng, W.; and Du, J. 2017. Reliable crowdsourcing and deep locality-preserving learning for expression recognition in the wild. In *Proceedings of the IEEE conference on computer vision and pattern recognition*, 2852–2861.
- Lieskovská, E.; Jakubec, M.; Jarina, R.; and Chmúřík, M. 2021. A review on speech emotion recognition using deep learning and attention mechanism. *Electronics*, 10(10): 1163.
- Luo, C.; Song, S.; Xie, W.; Shen, L.; and Gunes, H. 2022. Learning multi-dimensional edge feature-based au relation graph for facial action unit recognition. *arXiv preprint arXiv:2205.01782*.
- Mao, J.; Xu, R.; Yin, X.; Chang, Y.; Nie, B.; and Huang, A. 2023. POSTER V2: A simpler and stronger facial expression recognition network. *arXiv preprint arXiv:2301.12149*.
- Martinez, B.; Valstar, M. F.; Jiang, B.; and Pantic, M. 2017. Automatic analysis of facial actions: A survey. *IEEE transactions on affective computing*, 10(3): 325–347.
- Meng, L.; Liu, Y.; Liu, X.; Huang, Z.; Jiang, W.; Zhang, T.; Deng, Y.; Li, R.; Wu, Y.; Zhao, J.; et al. 2022. Multi-modal emotion estimation for in-the-wild videos. *arXiv preprint arXiv:2203.13032*.
- Mikolov, T.; Sutskever, I.; Chen, K.; Corrado, G. S.; and Dean, J. 2013. Distributed representations of words and phrases and their compositionality. *Advances in neural information processing systems*, 26.

- Mollahosseini, A.; Hasani, B.; and Mahoor, M. H. 2017. Affectnet: A database for facial expression, valence, and arousal computing in the wild. *IEEE Transactions on Affective Computing*, 10(1): 18–31.
- Nagrani, A.; Yang, S.; Arnab, A.; Jansen, A.; Schmid, C.; and Sun, C. 2021. Attention bottlenecks for multimodal fusion. *Advances in Neural Information Processing Systems*, 34: 14200–14213.
- Pennington, J.; Socher, R.; and Manning, C. D. 2014. Glove: Global vectors for word representation. In *Proceedings of the 2014 conference on empirical methods in natural language processing (EMNLP)*, 1532–1543.
- Pérez-Rosas, V.; Mihalcea, R.; and Morency, L.-P. 2013. Utterance-level multimodal sentiment analysis. In *Proceedings of the 51st Annual Meeting of the Association for Computational Linguistics (Volume 1: Long Papers)*, 973–982.
- Poria, S.; Chaturvedi, I.; Cambria, E.; and Hussain, A. 2016. Convolutional MKL based multimodal emotion recognition and sentiment analysis. In *2016 IEEE 16th international conference on data mining (ICDM)*, 439–448. IEEE.
- Radford, A.; Kim, J. W.; Hallacy, C.; Ramesh, A.; Goh, G.; Agarwal, S.; Sastry, G.; Askell, A.; Mishkin, P.; Clark, J.; et al. 2021. Learning transferable visual models from natural language supervision. In *International conference on machine learning*, 8748–8763. PMLR.
- Russell, J. A. 1980. A CIRCUMPLEX MODEL OF AFFECT. *Journal of Personality and Social Psychology*.
- Schuller, B.; Steidl, S.; and Batliner, A. 2009. The interspeech 2009 emotion challenge.
- Schuller, B.; Steidl, S.; Batliner, A.; Vinciarelli, A.; Scherer, K.; Ringeval, F.; Chetouani, M.; Wenginger, F.; Eyben, F.; Marchi, E.; et al. 2013. The INTERSPEECH 2013 computational paralinguistics challenge: Social signals, conflict, emotion, autism. In *Proceedings INTERSPEECH 2013, 14th Annual Conference of the International Speech Communication Association, Lyon, France*.
- Sikander, G.; and Anwar, S. 2019. Driver Fatigue Detection Systems: A Review. *IEEE Transactions on Intelligent Transportation Systems*.
- Stuhlsatz, A.; Meyer, C.; Eyben, F.; Zielke, T.; Meier, G.; and Schuller, B. 2011. Deep neural networks for acoustic emotion recognition: Raising the benchmarks. In *2011 IEEE international conference on acoustics, speech and signal processing (ICASSP)*, 5688–5691. IEEE.
- Tallec, G.; Yvinec, E.; Dapogny, A.; and Bailly, K. 2022. Multi-label transformer for action unit detection. *arXiv preprint arXiv:2203.12531*.
- Truong, Q.-T.; and Lauw, H. W. 2019. Vistanet: Visual aspect attention network for multimodal sentiment analysis. In *Proceedings of the AAAI conference on artificial intelligence*, volume 33, 305–312.
- Vaswani, A.; Shazeer, N.; Parmar, N.; Uszkoreit, J.; Jones, L.; Gomez, A. N.; Kaiser, Ł.; and Polosukhin, I. 2017a. Attention is all you need. *Advances in neural information processing systems*, 30.
- Vaswani, A.; Shazeer, N.; Parmar, N.; Uszkoreit, J.; Jones, L.; Gomez, A. N.; Kaiser, L.; and Polosukhin, I. 2017b. Attention is All you Need. *Neural Information Processing Systems*.
- Wang, L.; Wang, S.; and Qi, J. 2022. Multi-modal multi-label facial action unit detection with transformer. *arXiv preprint arXiv:2203.13301*.
- Zadeh, A.; Zellers, R.; Pincus, E.; and Morency, L.-P. 2016. Multimodal sentiment intensity analysis in videos: Facial gestures and verbal messages. *IEEE Intelligent Systems*, 31(6): 82–88.
- Zafeiriou, S.; Kollias, D.; Nicolaou, M. A.; Papaioannou, A.; Zhao, G.; and Kotsia, I. 2017. Aff-wild: Valence and arousal ‘in-the-wild’ challenge. In *Computer Vision and Pattern Recognition Workshops (CVPRW), 2017 IEEE Conference on*, 1980–1987. IEEE.
- Zhang, C.; Yang, Z.; He, X.; and Deng, L. 2020. Multimodal intelligence: Representation learning, information fusion, and applications. *IEEE Journal of Selected Topics in Signal Processing*, 14(3): 478–493.
- Zhang, S.; An, R.; Ding, Y.; and Guan, C. 2022a. Continuous emotion recognition using visual-audio-linguistic information: A technical report for abaw3. In *Proceedings of the IEEE/CVF Conference on Computer Vision and Pattern Recognition*, 2376–2381.
- Zhang, W.; Qiu, F.; Wang, S.; Zeng, H.; Zhang, Z.; An, R.; Ma, B.; and Ding, Y. 2022b. Transformer-based multimodal information fusion for facial expression analysis. In *Proceedings of the IEEE/CVF Conference on Computer Vision and Pattern Recognition*, 2428–2437.
- Zhang, Y.; Du, J.; Wang, Z.; Zhang, J.; and Tu, Y. 2018. Attention based fully convolutional network for speech emotion recognition. In *2018 Asia-Pacific Signal and Information Processing Association Annual Summit and Conference (APSIPA ASC)*, 1771–1775. IEEE.
- Zhang, Y.; Wang, C.; Ling, X.; and Deng, W. 2022c. Learn from all: Erasing attention consistency for noisy label facial expression recognition. In *Computer Vision—ECCV 2022: 17th European Conference, Tel Aviv, Israel, October 23–27, 2022, Proceedings, Part XXVI*, 418–434. Springer.
- Zhao, J.; Li, R.; Chen, S.; and Jin, Q. 2018. Multi-modal multi-cultural dimensional continues emotion recognition in dyadic interactions. In *Proceedings of the 2018 on audio/visual emotion challenge and workshop*, 65–72.
- Zheng, C.; Mendieta, M.; and Chen, C. 2022. POSTER: A Pyramid Cross-Fusion Transformer Network for Facial Expression Recognition. *arXiv preprint arXiv:2204.04083*.