

Mathematical Model of Dating Apps' Influence on Sexually Transmitted Diseases Spread

Teddy Lazebnik^{1,2,*}

¹ Department of Mathematics, Ariel University, Ariel, Israel

² Department of Cancer Biology, Cancer Institute, University College London, London, UK

* Corresponding author: lazebnik.teddy@gmail.com

Abstract

Sexually transmitted diseases (STDs) are a group of pathogens infecting new hosts through sexual interactions. Due to its social and economic burden, multiple models have been proposed to study the spreading of pathogens. In parallel, in the ever-evolving landscape of digital social interactions, the pervasive utilization of dating apps has become a prominent facet of modern society. Despite the surge in popularity and the profound impact on relationship formation, a crucial gap in the literature persists regarding the potential ramifications of dating apps usage on the dynamics of STDs. In this paper, we address this gap by presenting a novel mathematical framework — an extended Susceptible-Infected-Susceptible (SIS) epidemiological model to elucidate the intricate interplay between dating apps engagement and the propagation of STDs. Namely, as dating apps are designed to make users revisit them and have mainly casual sexual interactions with other users, they increase the number of causal partners, which increases the overall spread of STDs. Using extensive simulation, based on real-world data, we explore the effect of dating apps adoption and control on the STD spread. We show that an increased adoption of dating apps can result in an STD outbreak if not handled appropriately.

Keywords: Sexual behavior dynamics; extended SIS model; multi-pathogen epidemic; digital intervention policy; public health.

1 Introduction

Sexually transmitted diseases (STDs) are a significant public health challenge, exerting a substantial social and economic burden globally [1, 2, 3, 4]. With an estimated 376 million new infections reported annually, the widespread prevalence of STDs necessitates comprehensive investigations into their transmission dynamics and the factors that contribute to their propagation [5, 6]. In Particular, data from the Centers for Disease Control and Prevention (CDC) in the U.S. illustrates a notable upsurge in newly reported cases of chlamydia, gonorrhea, and syphilis since 2013 [7, 8, 9].

As part of a larger trend of social interactions moving into the digital world [10, 11], the rise of online dating platforms has introduced increased complexity and versatility into the way individuals find life and sexual partners [12, 13]. For instance, recent research has established a correlation between the use of online dating applications and a history of five or more previous sexual partners among young adults [14, 15]. To effectively capture the interplay between sexual network structures, partner formation, and STD transmission, researchers have developed diverse mathematical frameworks [16, 17, 18]. However, existing models often overlook the inherent heterogeneity in individual-level link formation, as they rely on mean-field approximations at the pair level or statistical characterizations of sexual networks [19, 20, 21].

These efforts, however, have predominantly centered on traditional modes of social interaction, overlooking the transformative impact of digital platforms in reshaping interpersonal connections. In the contemporary landscape, dating apps have emerged as a pervasive and influential feature of modern society, revolutionizing the

way individuals initiate and cultivate relationships [22, 23]. The meteoric rise in dating app adoption and usage underscores the need to reevaluate existing disease transmission models. In this work, we introduce a novel mathematical framework based on an extended Susceptible-Infectious-Susceptible (SIS) epidemiological model to investigate the intricate interplay between dating app usage and STD transmission spread dynamics.

The rest of the paper is organized as follows. Section 2 presents an overview of the dating app design, objective, and social impact as well as STD spread dynamics models. In Section 3, we outline the proposed mathematical model constructed from a graph-based spatial model, the influence of dating apps, an extended multi-pathogen SIS model, and an agent-based simulation implementation to allow heterogeneous population dynamics. Next, in Section 4, we describe the experiment design of the proposed model with a realistic configuration followed by the obtained results from the experiments. Finally, Section 5 provides an analysis of the results as well as the strengths and limitations of the proposed model with possible future work.

2 Related Work

In order to understand the STD spread dynamics and the role of dating apps in these settings, we overview the current design, objective, and social influence of dating apps on the population followed by a disruption of previous epidemiological models in general and for STDs, in particular.

2.1 Dating apps

As technology evolved, a greater number of dating apps were created to help individuals find their partner, whether it may be sexual or romantic [24]. The proliferation of dating apps has ushered in a new era of interpersonal connectivity, revolutionizing the way individuals form relationships and engage in romantic interactions [25, 26]. Dating apps have witnessed exceptional growth in recent years, with an increasing number of users engaging in diverse forms of interaction facilitated by these platforms [27]. Interestingly, the business objective of these apps is usually counter to their declared marketing for users since apps are financially gaining from users using the app as much as possible while promising to help find someone that would make the users leave the app [28, 29].

While studies about the nature of users' objectives in such dating apps are spread across the "hookup" and meaningful relationship line, all agree about the fact these mobile applications increase the amount of romantic and sexual interactions overall [30, 31, 32]. This fast-paced scenario can fuel an STD spread since the more sexual partners a person has, the higher the likelihood of coming into contact with an infected individual as each new partner represents a potential source of infection, especially if they have multiple partners themselves [33]. Hence, dating apps have garnered interest within the realm of public health research [34, 35]. Notably, the potential links between dating app usage and increased sexual risk behavior have raised concerns regarding STDs transmission dynamics [36]. For example, Miller (2020) [37] surveyed almost a thousand university students who used dating apps in the previous year versus students who did not. The author found that students who used dating apps were statistically more likely to have a greater number of sexual partners during this time but the author was not able to find a statistical increase in STD infection.

Overall, dating apps operate as a tool for an individual in the population to increase their network of possible casual and long-term sexual relationships. This increase can be integrated into current STD spread models to understand the possible role dating apps play in STD spread dynamics.

2.2 STD spread modeling

Mathematical and computational models are key tools for understanding pandemic spread and designing intervention policies that help control a pandemic's spread [38, 39]. In particular, coupled ordinary and partial differential equations, as well as simpler growth-curve equations, are previously used to capture pandemic spread in general [40, 41, 42, 43, 44, 45, 46] and STD diseases spread, in particular [47, 48, 49].

More often than not, the models describing the spread of STDs extend the Susceptible-Infectious-Recovered (SIR) model [50] where each individual in the population is associated with one epidemiological state at a time [51, 52]. Commonly, since different STDs have different recovery and re-infection patterns [53], models also

adopted the SI, SIS, and SIRS types of models [47, 54]. In order to further improve these models' accuracy, many properties such as gender and age are introduced to make the population more heterogeneous [55, 56, 57]. For instance, [58] proposed a SIR-based disease spread model with multiple transmission mechanisms, such as direct contact or vectors, and showed that the model captures the pandemic spread for large population sizes.

In addition, unlike airborne pathogens that infect individuals by close spatial proximity [59, 60, 61], STDs are transmitted via sexual intercourse. Since sex is simply not random [62], most models adopt a graph-based spatial component for the spread dynamics [63, 64, 65]. Regularly, the nodes of the graph representing the individuals in the population while the edges indicate one or more types of interaction between them [66, 67]. For example, [68] proposed a SIR-based model for STD spread on a bipartite random contact network.

In this work, we follow this line of a STD pandemic spread model using an extended SIR model for the temporal component and a graph-based model for the spatial component.

3 The Model

The proposed model consists of three interconnected components: a temporal component that describes a multi-pathogen STDs spread in the population; a spatial component that describes the interactions between individuals; and a dating app component that specifies how dating apps influence both the spatial and temporal dynamics. Each of these components, as well as the interactions between them, are detailed below. In addition, we propose an agent-based simulation implementation of this model to allow its *in silico* investigation.

3.1 Extend multi-pathogen SIS model

In order to capture the spread of a multi-pathogen STDs spread, we based our model on the work of [69]. However, this model is proposed for a generic multi-pathogen pandemic spread dynamics and does not capture four important processes in the context of multi-pathogen STDs spread. First, since many STDs have a significant exposure time [70, 71], an Expose state (E) is introduced. Second, since individuals can recover from some STDs, and be re-infected later [72, 73], we also introduce an immunity decay and re-infection dynamics to the model. Third, individuals can be infected simultaneously by multiple STDs [74]. Thus, we further extended the model to capture these dynamics. Finally, we remove the recovery (R) state as individuals do not develop long-term immunity to STDs, in general [75, 76].

Formally, let us define a model that contains a finite population (P) of size $n := |P|$ and their change over finite time $[t_0, t_f]$ such that $t_f > t_0$. In addition, let us assume a set of disease-generating pathogens D such that $|D| := k \in \mathbb{N}$. At each point in time, each individual is either susceptible (S), exposed (E), infected (I), or dead (D) from each of these pathogens. Hence, the epidemiological state of an individual is represented by a tuple $\eta \in \{s, e, i, d\}^k$. For some reason, each individual belongs to a super-position epidemiological state where it is susceptible, exposed, and infected by a set of pathogens, $s, e, i \subset D$, such that $s \cap e \cap i = \emptyset \wedge s \cup e \cup i = D$ [69]. One can ignore the dead (d) state since if a single pathogen caused the death of the individual, the other states s, e , and i do not play any role in the individual's overall epidemiological state.

As such, for each state, there are 12 processes that influence the number of individuals in each epidemiological state. First, individuals are born at some rate α . Second, individuals are infected by a pathogen $j \in D$, becoming exposed to it with infection rate β . Third, individuals that are exposed to a pathogen j become infectious at a rate ϕ . Fourth, individuals from the group (s, e, i) are infected by a pathogen $j \in s$ by animals from the same species, becoming exposed to it with an infection rate β . Fifth, individuals from the group (s, e, i) which are exposed to pathogen $j \in e$ become infectious at a rate ϕ . Sixth, for each $j \in i$ individuals from the group (s, e, i) lose their immunity and become susceptible again to the pathogen j at a rate ψ . Seventh, individuals from the group (s, e, i) die due to their diseases at a rate μ . Finally, individuals are naturally dying at a rate ν , independent of the diseases they carry. These dynamics take the ordinary differential equations (ODEs) representation as follows:

$$\begin{aligned}
\forall s, e, i : \frac{dP_{s,e,i}(t)}{dt} = & \sum_{a,b,c|a \cap b \cap c = \emptyset \wedge a \cup b \cup c = D} \alpha_{a,b,c} P_{a,b,c} + \sum_{j \in e} \beta_{s \cup j, e/j, i}^{s,e/j,i \cup j} P_{s \cup j, e/j, i} P_{s,e,i \cup j} \\
& + \sum_{j \in i} \phi_{s,e \cup j, i/j} P_{s,e \cup j, i/j} + \sum_{j \in s} \psi_{s/j, e, i \cup j} P_{s/j, e, i \cup j} - \sum_{j \in s} \beta_{s,e,i}^{s,e/j,i \cup j} P_{s,e,i} P_{s,e/j, i \cup j, r} \\
& - \sum_{j \in e} \phi_{s,e,i} P_{s,e,i} - \sum_{j \in i} \mu_{s,e,i} P_{s,e,i} - v_{s,e,i} P_{s,e,i}
\end{aligned} \tag{1}$$

A schematic view of the epidemiological states of the model for the case of two pathogens (i.e., $k = 2$) is shown in Fig. 1 where each box indicates the epidemiological state of the individual represented by the pathogens belongs to each of the s, e, i sets.

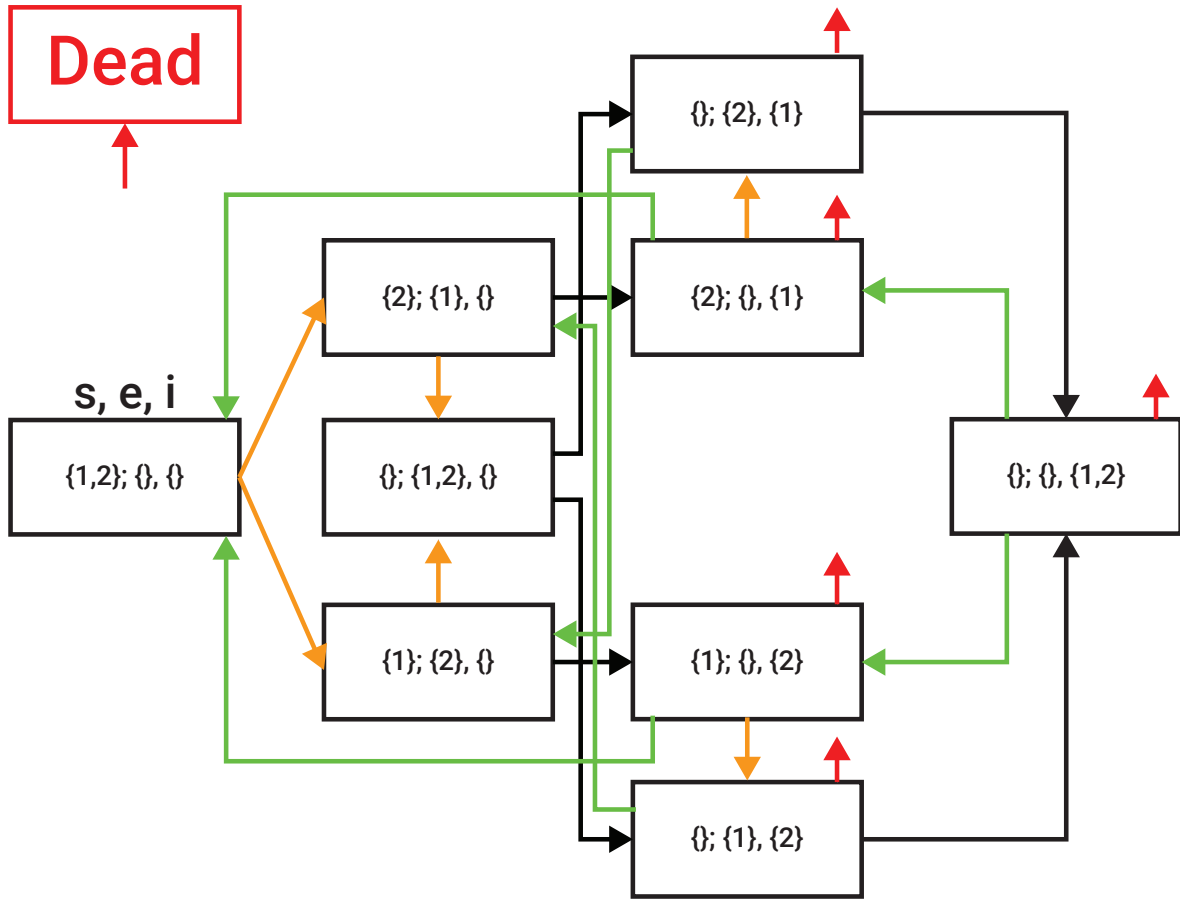


Figure 1: A schematic view of transition between disease stages, shown for $k = 2$. The red arrows indicate that from this stage, the individual might die from the disease. In a similar manner, the orange, black, and green arrows indicate exposure, infection, and recovery with immunity decay, respectively.

3.2 Graph-based spatial interactions

Following the models proposed by [77] and [78], for the proposed model, we adopted a two-layer graph-based spatial component. Formally, we consider a population of individuals, P , that have two main types of interactions between them which are represented by two different “layers” of the interaction graph. The first layer, L_1 ,

represents steady partnerships among the individuals that resulted from socially accepted long-term sexual partnerships. In addition to these interactions, we assume a second type of interaction that corresponds to potential casual partnerships. These interactions become active with a probability, $\xi \in [0, 1]$ when the individuals at both ends of the interactions are simultaneously seeking casual partners, aware of each other, and attracted to each other. This second “layer” of links is denoted by L_2 . By definition, $L_1 \cap L_2 = \emptyset$. We assume that for each individual $x \in \mathbb{P}$ in the population, there is a unique distribution function $\delta_x(y)$ that obtains another individual in the population $y \in \mathbb{P}$ and returns the probability that the individuals x and y would have a L_1 -type interaction. In realistic social networks, each individual has a relatively small group of individuals with whom s/he has long-term sexual partnerships. In order to capture these dynamics in the infection graph, we assume $\delta_x(y)$ follows a Poisson distribution with mean values $\rho \in \mathbb{R}^+$. In addition, we assume that a L_1 and L_2 type edges can become L_2 and L_1 type edges, respectively, with probabilities $\omega_1^2 \in [0, 1]$ and $\omega_2^1 \in [0, 1]$ at each step in time.

In addition, we assume that each individual is either seeking a sexual partner or not at any point in time, t . When an individual seeks a partner, it first updates its L_2 layer and choose randomly an individual from it, and establishes a casual partnership. Later, when one of the two individuals is no longer looking for a sexual partner state, the edge between the two nodes is removed. We assume node activation processes are independent Poisson processes [77], where individual i seeks a sexual partner with rate $\gamma_1^i \in \mathbb{R}^+$, and if it is seeking for a sexual partner, it goes to the non-seeking state with rate $\gamma_2^i \in \mathbb{R}^+$. Due to the fact that the inverse of the transition rate is the expected value of transition time, if individual i seeks a sexual partner, it is expected to stay in this state for a period of time of length $(\gamma_2^i)^{-1} \in \mathbb{R}^+$. Moreover, individuals can interact in either protected or unprotected sexual interactions. If at least one of the sides prefers a protected interaction, it would be protected. Fig. 2 shows a schematic view of the interaction graph for a single point in time.

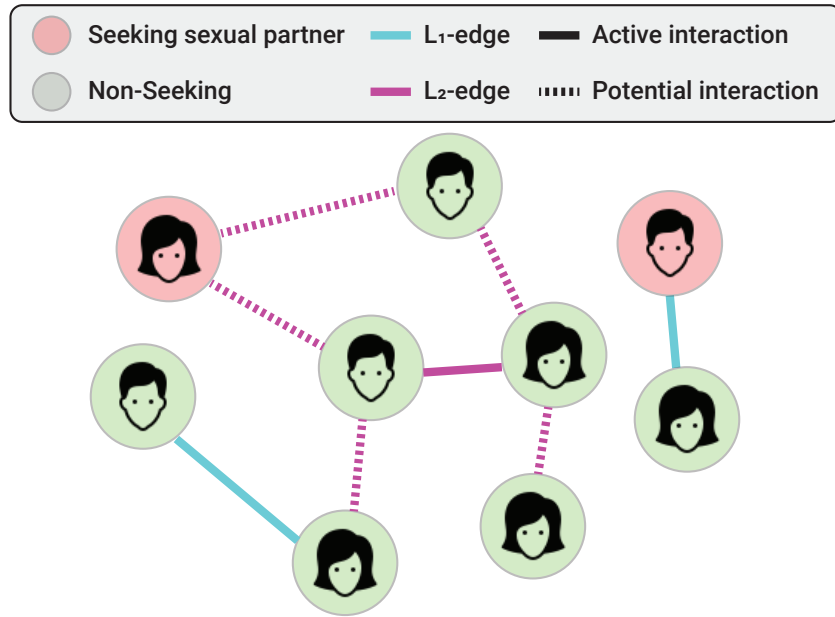


Figure 2: A schematic view of the interaction graph for a single point in time.

3.3 Dating Apps dynamics

Dating apps allow individuals in the population to meet more individuals than they would be able to by random encounters. More specifically, dating apps increase the rate at which both sides interact when they both seeking sexual partners as both individuals use dating applications only when they seeking sexual partners. Nonetheless, not all matches done in the dating application result in physical interaction [79]. The probability that a match

on the dating app would result in a physical interaction depends on multiple factors. That said, one can simplify these into an abstract attractiveness level, $b \in [0, 1]$ which each individual in the population has for any other individual in the population, which results in the population's attractiveness matrix, $B \in [0, 1]^{n \times n}$. For simplicity, we assume that B is constant over time.

Therefore, in order to further capture the heterogeneity of the population, for each individual we take into consideration its gender ($g \in \{male, female\}$) and age ($a \in \mathbb{N}$). These factors are used to determine the attractiveness level of an individual for other individuals according to their own gender and age as well as their preferences of gender and age in their sexual partners. We assume that gender and its preferences are constant over time while age and its preferences change identically over time.

On top of that, dating apps shown empirically to be more popular in some social groups and their users' activity is also altering over time. To capture these dynamics, we assume that each individual in the population has a probability, $d \in [0, 1]$, to use a dating app while seeking for sexual partner. Individuals who were successful in finding sexual partners using the dating app are more likely to re-use it by increasing their probability d by a factor of $\delta_s \in [0, 1]$. On the other hand, individuals who were not successful in finding sexual partners in the dating app are more likely to use it less by decreasing their probability d by a factor of $\delta_n \in [0, 1]$.

3.4 Assembling the components into a single framework using the agent-based simulation approach

A powerful approach to implement this multi-component model into one framework is the agent-based simulation [80, 81, 82, 83]. Inspired by previous works [84, 85, 86, 87], we formally define the model as a whole, denoted by M , as follows. Let M be a tuple (P, G) where P is a population of agents and G is the interaction graph between them. Let $G := (P, E \subset P \times P \times \{1, 2\})$ be a two-layer connected graph where each node represents an individual in the population and the edge is a sexual interaction between two individuals. The individuals in the population are interacting in rounds, denoted by $t \in [1, \dots, T]$ such that $T < \infty$. Each individual in the population, $p \in \mathbb{P}$, is represented by a timed finite state machine [88]. An individual is described by a tuple $p := (\eta, a, g, \mu, \theta, \gamma_1, \gamma_2, d, \delta_s, \delta_n, \omega_1^2, \omega_2^1, \zeta)$ where η is the agent's current epidemiological state, a is the agent's age, g is the agent's gender, $\mu \in [0, 1]^n$ is the attractiveness level of all other individuals in the population according to the individual, $\theta \in \{T, F\}$ indicates if the individual is currently seeking a sexual partner or not, γ_1 and γ_2 is the duration in which θ changes between $T \rightarrow F$ and $F \rightarrow T$, respectively, d is the probability the individual would use a dating app while seeking for a sexual partner, δ_s and δ_n are the increase or decrease in d due either success or not in finding a sexual partner using the dating app, ω_1^2, ω_2^1 are the probability that L_1 and L_2 type interactions would become L_2 and L_1 type interactions, respectively, and ζ is a binary variable indicating if the agent wishes to participate in protected or unprotected sexual interaction.

During the first round ($t = 1$), the population (\mathbb{P}) is generated such that the individual's properties follow a pre-defined distribution. Moreover, the L_2 layer in G is also generated. Afterward, at each round t , each individual in the population, if seeking a sexual partner, can either try and increase the number of L_1 type edges it has by using a dating app or not. Afterward, each individual chooses, at random, one of the L_1 or L_2 edges it has and interacts with the other individual. Similar to previous modeling attempts, we assume that all individuals interact in a single round. These interactions initiate some epidemiological dynamics, following Eq. (1). Recall, that individuals with a susceptible status (S) have no immunity and are susceptible to infection by a pathogen i . When an individual with an S status is exposed to the pathogen i through an interaction with an infected individual (I status), the individual is assigned with an exposed status (E) with a probability β which corresponds to the η states of both individuals. Individuals with an E status have the pathogen but are not yet contagious. The individual remains with an E status for ϕ rounds, after which the individual is assigned with an infected status (I), which makes her contagious to other individuals. After γ rounds, an infected individual transitions back to a susceptible status (S) or dead status (D) with probabilities $(1 - \psi)$ and (ψ) , respectively. Dead individuals are removed from the population (and the graph). In addition, at each step in time, new individuals are added to the population as they reach adulthood with a rate corresponding to the population size α .

4 Experiment

In this section, we perform *in silico* experiments based on the proposed model. Initially, we find from the literature realistic values for the model’s parameters to obtain realistic realizations of the proposed model. Using this setup, we explore the influence of dating apps on the spread of STDs from three perspectives.

4.1 Setup

High-resolution and extensive epidemiological data are required to obtain a real-world realization of the proposed model. Unfortunately, currently, such data is unavailable in the public domain (to our best knowledge). Nonetheless, partial data about STD spread epidemics and general statistics about dating app usage are available in the literature [89, 90, 91]. Specifically, we focused on the three common STDs in the United States - Chlamydia, Gonorrhea, and Syphilis [92]. In total, according to the Centers for Disease Control and Prevention, around 2.5 million cases of these diseases were reported during 2021 in the United States alone ¹. On a more global scale, the World Health Organization (WHO) estimates 129, 82, and 7.1 million cases of Chlamydia, Gonorrhea, and Syphilis during 2020, respectively ². In addition, to make the socio-demographic distribution realistic, we adopted the age and gender co-distribution from [90]. In particular, for the average number of preeminent interactions, we computed the portion of officially married adults from the entire adult population, assuming only monogamic relationships. Table 1 summarizes the proposed model’s hyper-parameter values based on the available data from the literature, as stated in the **source** column. In particular, we choose to simulate a step in a time of one hour to balance the computational burden and the model’s accuracy. Moreover, the population size range is chosen based on the estimation of sexually active adults in a small-medium US city.

Moreover, to assess the epidemic spread, we adopted the widely-used epidemiological metric - the average reproduction number ($E[R_t]$) which measures the number of secondarily infected individuals given the epidemic state at a given time t [98, 99, 100, 101, 102]. Formally, R_t can be numerically approximated as follows: $R_t := (I(t) - I(t-1) + S(t) - S(t-1)) / I(t-1)$, where $I(t)$ and $S(t)$ are the number of infected (by any pathogen) and recovered (and therefore susceptible again) individuals at time t , respectively. Intuitively, the average reproduction number ($E[R_t]$) computes how many, on average, a single infected individual infects other individuals in a pre-defined and fixed duration (i.e., a step in time).

4.2 Results

Based on this setup, we conducted two main experiments as well as a sensitivity analysis for the model. First, we explore the influence of dating app adoption in the population on the STD spread dynamics. Second, we compare two scenarios of dating app usage - genuinely helping users to find stable relationships and promoting casual sexual encounters and further usage of the application. Finally, we explore the ability of dating apps to tackle the problem they (might) cause by introducing STD-aware and prevention policies³.

Fig. 3 presents the average reproduction number ($E[R_0]$) as a function of the dating app’s initial adoption rate. The results are shown as the mean value of $n = 100$ simulation realizations and the error bars indicate the standard deviation of the sample. The case inferred from the historical data is marked by a red square while the other cases are marked by blue circles. The gray (dashed) line indicates $E[R_t] = 1$ which is the epidemic outbreak threshold. One can notice that the increase in the dating apps’ initial adoption rate caused a monotonic increase in the average reproduction number and therefore in the STD pandemic spread. Moreover, an increase of 0.079 in the average reproduction number occurs between no adoption and 0.1 adoption rate. Moreover, the average reproduction number increased rate is growing with the adoption rate, indicating a non-linear relationship

¹We refer the interested reader to <https://www.cdc.gov/std/statistics/2021/default.htm> (visited 25th of September, 2023)

²The full report is available online [https://www.who.int/news-room/fact-sheets/detail/sexually-transmitted-infections-\(stis\)?gclid=CjwKCAjwpJWoBhA8EiwAHZFzFpYLqRvh-Tf2UNlypsUzz7s9fzmif0aKhfur7LIw3k-oFhoCAYEQAvD_BwE](https://www.who.int/news-room/fact-sheets/detail/sexually-transmitted-infections-(stis)?gclid=CjwKCAjwpJWoBhA8EiwAHZFzFpYLqRvh-Tf2UNlypsUzz7s9fzmif0aKhfur7LIw3k-oFhoCAYEQAvD_BwE) (visited 25th of September, 2023)

³This question is inspired by recent such features by some dating apps: <https://www.statnews.com/2022/07/18/dating-apps-help-stop-spread-sexually-transmissible-infections/>

Symbol	Description	Default value	Source
T	Number of simulation rounds (spanning over a year in the Δt used) [1]	8760	Assumed
Δt	Simulation round's duration in time [t]	1 hour	Assumed
$ P(0) $	The initial population size [1]	$[10^5, 10^6]$	Assumed
k	The number of pathogens [1]	3	Assumed
α	Birth rate in days $[t^{-1}]$	$3.24 \cdot 10^{-5}$	[90]
ν	Natural death rate in days $[t^{-1}]$	$2.27 \cdot 10^{-5}$	[91]
β_c	Average Chlamydia infection rate [1]	Protected - 2%, Unprotected - 100%	[92]
β_g	Average Gonorrhea infection rate [1]	Protected - 2%, Unprotected - 100%	[92]
β_s	Average Syphilis infection rate [1]	Protected - 2%, Unprotected - 100%	[92]
ϕ_c	Average Chlamydia exposure to infectious transformation rate in days $[t^{-1}]$	7-14	[93]
ϕ_g	Average Gonorrhea exposure to infectious transformation rate in days $[t^{-1}]$	2-14	[94]
ϕ_s	Average Syphilis exposure to infectious transformation rate in days $[t^{-1}]$	1-9	[94]
ψ_c	Immunity decay rate for Chlamydia in days $[t^{-1}]$	0-1	[93]
ψ_g	Immunity decay rate for Gonorrhea in days $[t^{-1}]$	0-2	[89]
ψ_s	Immunity decay rate for Syphilis in days $[t^{-1}]$	0-2	[89]
γ_c	Mortality rate due to Chlamydia [1]	$1.8 \cdot 10^{-6}$	[92]
γ_g	Mortality rate due to Gonorrhea [1]	0	[92]
γ_s	Mortality rate due to Syphilis [1]	0	[92]
γ_1	Sexual partner looking in hours [1]	$N(0.72, 0.44)$	[95]
γ_2	Sexual partner non-looking in hours	$N(15.24, 6.73)$	[95]
d	Dating apps initial adoption rate [1]	0.38	[96]
δ_s	Increase in personal usage probability of dating apps due to successful interaction using the app [1]	0.05	Assumed
δ_n	Decrease in personal usage probability of dating apps due to successful interaction using the app [1]	0.02	Assumed
ω_1^2	A probability that casual interaction would become a preminent interaction [1]	0.019	[97]
ω_2^1	A probability that preminent interaction would become a casual interaction [1]	0	Assumed
μ	The average attractiveness distribution in the population [1]	$P(0.71)$	[95]
$ P / L_1 $	Average number of preminent interactions [1]	0.32	Assumed
	Portion of the population preferring protected sex [1]	0.8	Assumed

Table 1: A summary of the proposed model's parameters and hyperparameters with their realistic value ranges. $N(\mu, \sigma)$ indicates a normal distribution with a mean value of μ and standard deviation of σ . $P(\lambda)$ indicates a Poisson distribution with a parameter λ .

between the two parameters. On the other hand, the standard deviations are (almost) monotonically decreased with respect to the adoption rate, excluding the case of no adoption.

After showing that dating apps adoption in its present form which encourages casual sexual interactions, we moved forward to investigate how changes in the application objective can influence STD spread. Namely, let

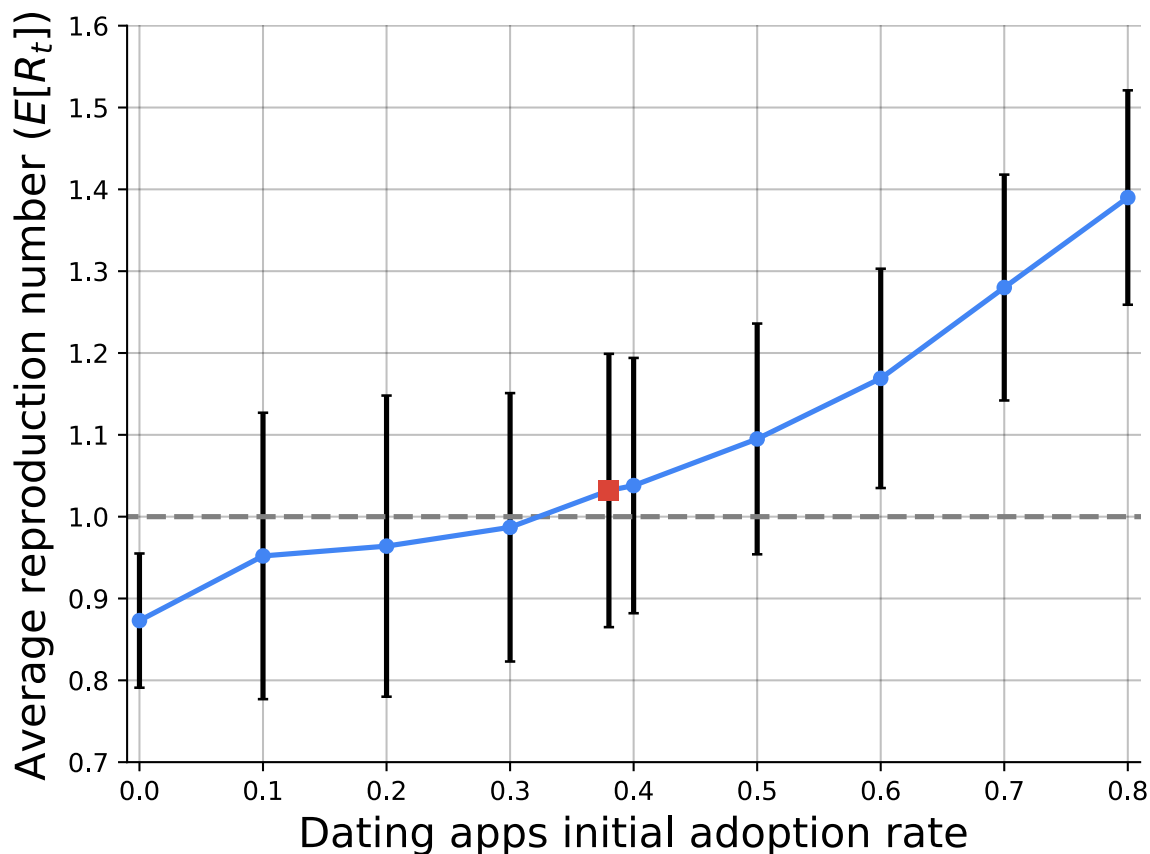


Figure 3: A comparison of the STD spread dynamics with different levels of dating app adoption. The results are shown as the mean \pm standard deviation of $n = 100$ simulation realizations. The case inferred from the historical data is marked by a red square while the other cases are marked by blue circles. The gray (dashed) line indicates $E[R_t] = 1$ which is the epidemic outbreak threshold.

us consider a scenario where dating apps limit one's ability to interact with other users over some period of time in order to motivate users to establish long-term relationships. Thus, we introduce a parameter, $\psi \in \mathbb{N}$, which indicates how many interactions a user of the dating app is allowed to have in a week. For comparison, the present scenario assumes $\psi \rightarrow \infty$ as no actual limit is present. Fig. 4 shows the average reproduction number ($E[R_t]$) with respect to ψ , demonstrating the STD spread dependency of how dating apps promoting casual sexual encounters and further usage of the application. The results are shown as the mean \pm standard deviation of $n = 100$ simulation realizations. One can notice a logarithmic relationship between the two parameters. Furthermore, with less than 10 possible interactions in the dating app, the STD epidemic is dying out as $E[R_t] < 1$.

This outcome reveals that a restricted limit on users' usage of the dating app is applied, the lower (on average) the STD spread in the population. However, applying such a strategy is undesirable for dating apps that profit from users using the app. Hence, a more economically realistic option is the introduction of some enforcement mechanism that makes sure the dating app's users are not spreading STDs. One possible implementation of such an enforcement mechanism is to request users to present, periodically, an official document they are free of STDs. As such, users who are infected while required to present such a document would have to wait until they recover. To evaluate the performance of such an enforcement mechanism, we define, $\tau \in \mathbb{N}$, the duration, in days, between two times a user needs to provide an STD-free document to the application. Fig. 5 shows the average reproduction number ($E[R_t]$) with respect to τ such that the values are presented as the mean \pm standard deviation of $n = 100$

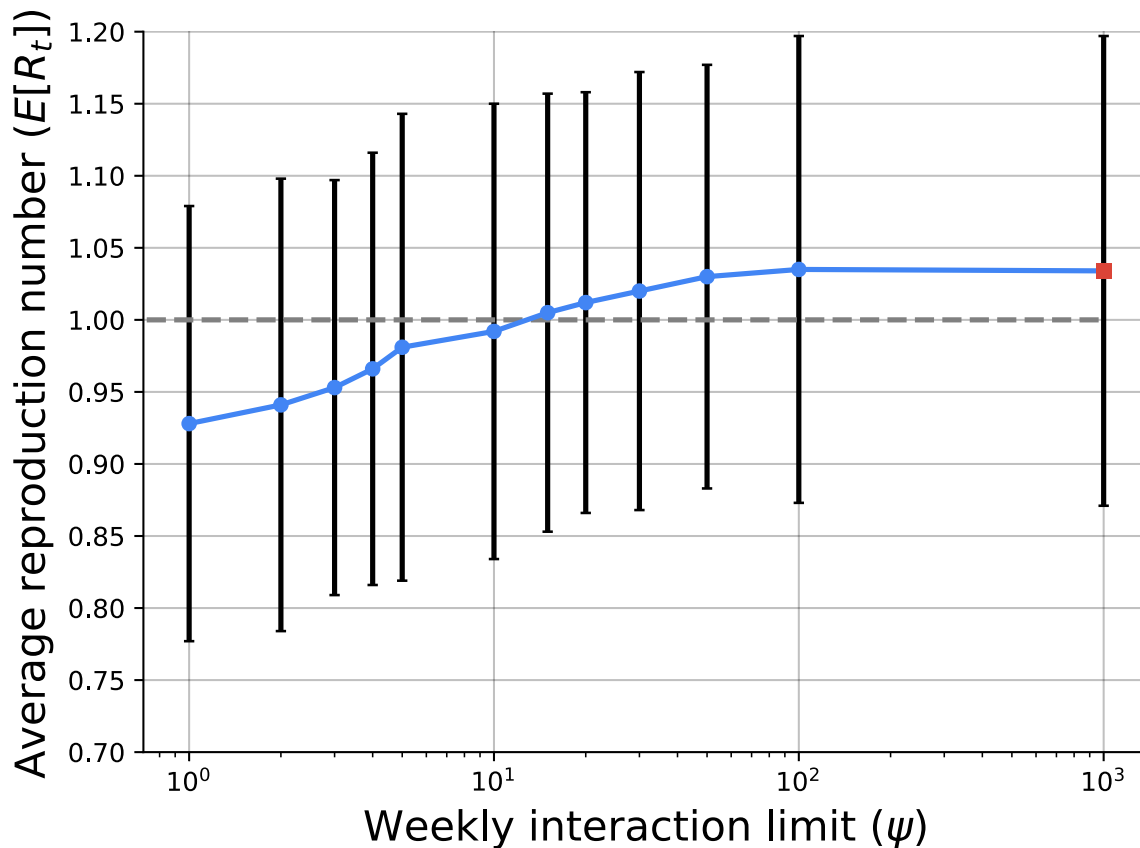


Figure 4: A comparison of the STD spread dynamics for two cases - genuinely helping users to find stable relationships and promoting casual sexual encounters and further usage of the application. The results are shown as the mean \pm standard deviation of $n = 100$ simulation realizations. The x-axis is presented in a logarithmic scale. The gray (dashed) line indicates $E[R_t] = 1$ which is the epidemic outbreak threshold.

simulation realizations. One can see a monotonic increase in both the mean and standard deviation of $E[R_t]$ with respect to τ .

5 Discussion and Conclusion

In this study, we investigate the influence of dating apps on STDs spread in a population by applying a multi-pathogen epidemiological model. The proposed model is based on an extended SIR-based epidemiological model with a spatial component of infection graph, following a sequence of models designed and validated for STD spread analysis [47, 48, 49]. We implemented the proposed model as an agent-based simulation approach while taking into consideration a heterogeneous population and its usage of dating apps. We used historical STD epidemics as well as statistical data about dating app usage to obtain realistic realizations of the proposed model, capturing as closely as possible realistic spread dynamics in this context as previous models are shown to accurately capture similar epidemiological cases with only partial data [103, 104, 105, 106].

Taken jointly, our results, as shown in Figs. 3, 4, and 5 show a simplistic and consistent outcome - larger usage and adoption of dating apps causes an increase in STD spread. This conclusion, while sounds trivial, has not been empirically explored yet. Previous studies show that more sexual interactions cause more STD spread and that

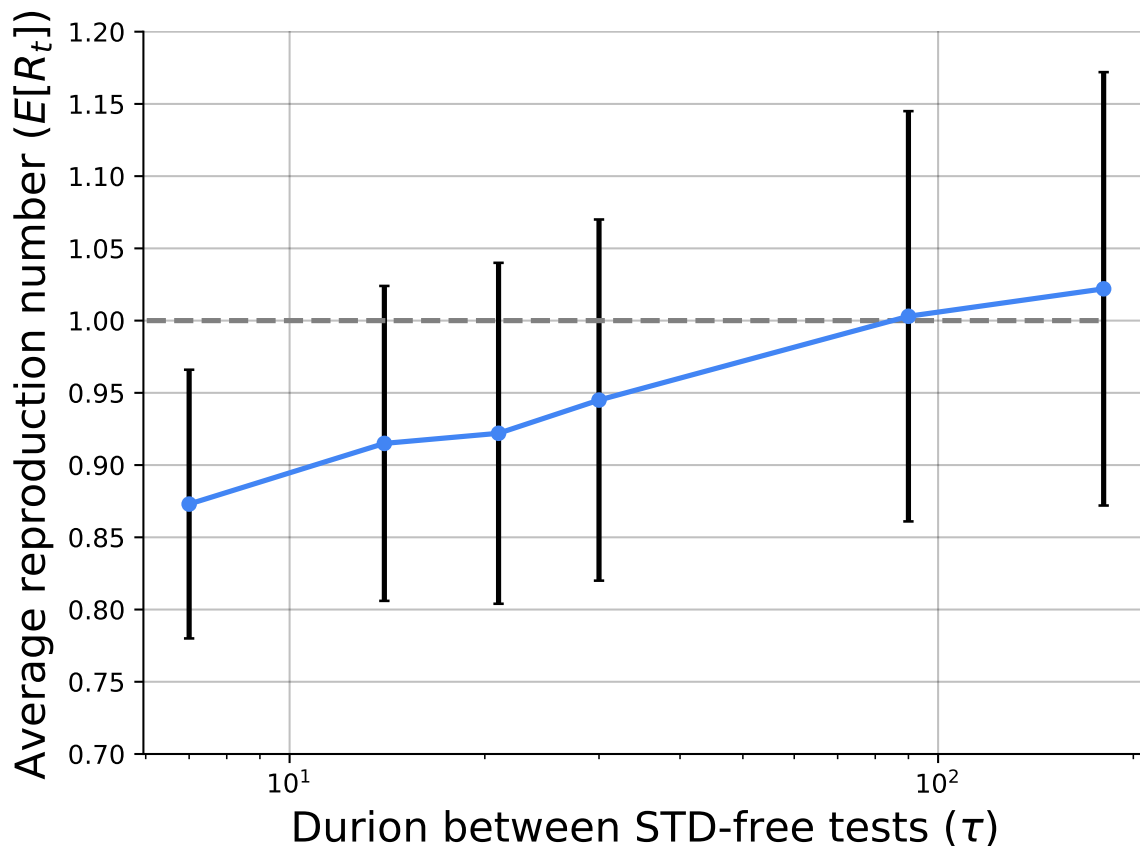


Figure 5: The average reproduction number ($E[R_t]$) with respect to the duration between two times a user has to prove it is STD-free τ . The results are shown as the mean \pm standard deviation of $n = 100$ simulation realizations. The x-axis is presented in a logarithmic scale. The gray (dashed) line indicates $E[R_t] = 1$ which is the epidemic outbreak threshold.

dating apps cause more sexual interactions, on average [35, 33, 25, 17]. That said, only recently, a self-reported, retrospective, and relatively small sample size study was able to statistically associate the two processes [37]. Thus, our result is the first to show a large-scale, while *in silico*, connection between dating apps and STD spread. Moreover, we show (see Fig. 3) that in its current form, more adoption of dating apps in the population would result in a polynomial increase in the average reproduction number of STDs which can quickly be developed into a large-size pandemic. Nonetheless, as presented by Figs. 4 and 5, one can enforce some limitations upon dating apps to control the additional STD spread they cause. That said, such limitations would probably negatively influence these apps profits and therefore would not be initiated by their owner companies. Hence, a balance between the two can be achieved where users repeatedly use the dating app while also testing to prevent STD spread. Our analysis shows that every three-month test should prevent any STD outbreak over time, for example.

This research is not without limitations. First, in the proposed model we ignore the role healthcare services play in treating STDs in a direct manner which can alter the proposed results depending on the quality and quantity of this service to the population [107]. Second, we do not include a socially-aware factor that causes individuals who are aware they have STDs to make sure they do not infect others, as also requested by law in some countries [108]. Third, as evidence regarding the connection between porn and reduced sexual desire is gathered [109], and in the scope of the digital world effect on STD spread, future work can also include the influence of porn. Namely, connecting the usage of porn to the duration of the non-seeking state of individuals in the proposed model.

This study highlights the importance of taking into consideration the interactions occurring in the digital world as these influence the physical one, in the context of STD spreads via dating apps. Our model and simulation can be utilized to design and *in silico* test various policies to tackle and control STD spread among the population.

Declarations

Funding

This research does not receive any funding.

Conflicts of interest/Competing interests

None.

Data availability

The data that have been used in this study are publicly available in the referenced sources.

Acknowledgement

The author wishes to thank Ariel Alexi and Ariel Fenster for helping with this study's administrative work.

References

- [1] G. Caruso, A. Giammanco, R. Virruso, and T. Fasciana. Current and future trends in the laboratory diagnosis of sexually transmitted infections. *International Journal of Environmental Research and Public Health*, 18(3):1038, 2021.
- [2] M. W. Adler. Sexually transmitted diseases control in developing countries. *Sexually Transmitted Infections*, 72(2):83–88, 1996.
- [3] P. Piot and M. Q. Islam. Sexually transmitted diseases in the 1990s: global epidemiology and challenges for control. *Sexually transmitted diseases*, pages S7–S13, 1994.
- [4] P. Mayaud and D. Mabey. Approaches to the control of sexually transmitted infections in developing countries: old problems and modern challenges. *Sexually transmitted infections*, 80(3):174–182, 2004.
- [5] World Health Organization. Report on global sexually transmitted infection surveillance 2018, 2020.
- [6] J. N. Wasserheit and S. O. Aral. The dynamic topology of sexually transmitted disease epidemics: implications for prevention strategies. *Journal of Infectious Diseases*, 174(Supplement_2):S201–S213, 1996.
- [7] A. C. Ghani, J. Swinton, and P. G. Garnett. The role of sexual partnership networks in the epidemiology of gonorrhoea. *Sexually Transmitted Diseases*, 24(1):45–56, 1997.
- [8] M. Van de Laar and G. Spiteri. Increasing trends of gonorrhoea and syphilis and the threat of drug-resistant gonorrhoea in europe. *Eurosurveillance*, 17(29):20225, 2012.
- [9] R. J. Wolitski, R. O. Valdiserri, P. H. Denning, and W. C. Levine. Are we headed for a resurgence of the hiv epidemic among men who have sex with men? *American journal of public health*, 91(6):883, 2001.
- [10] S. Karanasios, B. Nardi, C. Spinuzzi, and J. Malaurent. Moving forward with activity theory in a digital world. *Mind, Culture, and Activity*, 28(3):234–253, 2021.

- [11] R. R. MacLean, C. F. Geier, S. L. Henry, and S. J. Wilson. Digital peer interactions affect risk taking in young adults. *Journal of Research on Adolescence*, 24(4):772–780, 2014.
- [12] J. R. Barrada, A. Castro, E. Fernández del Río, and P. J. Ramos-Villagrasa. Do young dating app users and non-users differ in mating orientations? *PloS one*, 16(2):e0246350, 2021.
- [13] F. Sin, S. Berger, I-J. Kim, and D. Yoon. Digital social interaction in older adults during the covid-19 pandemic. *Proceedings of the ACM on Human-Computer Interaction*, 5(CSCW2):1–20, 2021.
- [14] G. K. Shapiro, O. Tatar, A. Sutton, W. Fisher, A. Naz, S. Perez, and Z. Rosberger. Correlates of tinder use and risky sexual behaviors in young adults. *Cyberpsychology, Behavior, and Social Networking*, 20(12):727–734, 2017.
- [15] G. McNicoll and D. Beaulieu-Prévost. Is dating app use driving the number of new sexual partners among young adults who date? if not, what is? *The Canadian Journal of Human Sexuality*, 32(1):63–76, 2023.
- [16] R. M. Anderson and R. M. May. *Infectious diseases of humans: Dynamics and control*. Oxford University Press, 1991.
- [17] M-C. Boily and B. Mâsse. Mathematical models of disease transmission: a precious tool for the study of sexually transmitted diseases. *Canadian journal of public health*, 88:255–265, 1997.
- [18] N. C. Grassly and C. Fraser. Mathematical models of infectious disease transmission. *Nature Reviews Microbiology*, 6(6):477–487, 2008.
- [19] T. Leng and M. J. Keeling. Concurrency of partnerships, consistency with data, and control of sexually transmitted infections. *Epidemics*, 25:35–46, 2018.
- [20] M. Kretzschmar and J. C. M. Heijne. Pair formation models for sexually transmitted infections: A primer. *Infectious Disease Modelling*, 2(3):368–378, 2017.
- [21] S. Yan, Y. Zhang, J. Ma, and S. Yuan. An edge-based sir model for sexually transmitted diseases on the contact network. *Journal of Theoretical Biology*, 439:216–225, 2018.
- [22] S. Duguay, C. Dietzel, and D. Myles. The year of the “virtual date”: Reimagining dating app affordances during the covid-19 pandemic. *new media & society*, 2022.
- [23] A. Morrissey. *Emerging Adults’ Utilization of Mobile Dating Apps to Find Romantic Relationships*. PhD thesis, William James College, 2020.
- [24] M. Stoicescu et al. The globalized online dating culture: Reframing the dating process through online dating. *Journal of Comparative Research in Anthropology and Sociology*, 10(01):21–32, 2019.
- [25] M. Hobbs, S. Owen, and L. Gerber. Liquid love? dating apps, sex, relationships and the digital transformation of intimacy. *Journal of Sociology*, 53(2):271–284, 2017.
- [26] S. Wu and D. Trottier. Dating apps: a literature review. *Annals of the International Communication Association*, 46(2):91–115, 2022.
- [27] S. Sobieraj and L. Humphreys. The tinder games: Collective mobile dating app use and gender conforming behavior. *Mobile Media & Communication*, 10(1):57–75, 2022.
- [28] A. Castro, J. R. Barrada, P. J. Ramos-Villagrasa, and E. Fernández-del Río. Profiling dating apps users: Sociodemographic and personality characteristics. *International Journal of Environmental Research and Public Health*, 17(10), 2020.
- [29] J. Sawyer, P. Kral, P. Durana, and P. Suler. Algorithmic compatibility: Love, intimacy, and pleasure on geosocial dating apps. *Journal of Research in Gender Studies*, 10(1), 2020.

- [30] E. Timmermans and C. Courtois. From swiping to casual sex and/or committed relationships: Exploring the experiences of tinder users. *The Information Society*, 34(2):59–70, 2018.
- [31] T. E. Dominic Yeo and T. H. Fung. Relationships form so quickly that you won’t cherish them: Mobile dating apps and the culture of instantaneous relationships. In *Proceedings of the 7th 2016 international conference on social media & society*, pages 1–6, 2016.
- [32] J. E. Lapsley, A. R. Steele, and O. Monson. Swiping right for “Mr Right”: An investigation into the relationship between tinder use and relationship attitudes and behaviors in australian female emerging adults. *Psychology of Popular Media*, 2022.
- [33] K. T. D. Eames and M. J. Keeling. Modeling dynamic and network heterogeneities in the spread of sexually transmitted diseases. *Proceedings of the National Academy of Sciences*, 99(20):13330–13335, 2002.
- [34] A. Castro and J. R. Barrada. Dating apps and their sociodemographic and psychosocial correlates: A systematic review. *International Journal of Environmental Research and Public Health*, 17(18), 2020.
- [35] J. Taubert, E. Van der Burg, and D. Alais. Dating apps and their sociodemographic and psychosocial correlates: A systematic review. *Scientific Reports*, 6, 2016.
- [36] C. Enomoto, S. Noor, and B. Widner. Is social media to blame for the sharp rise in stds? *Social Sciences*, 6(3), 2017.
- [37] M. Alanna. The association between mobile dating apps use, sexually transmitted infections and risky sexual behaviour in ontario university students. *McMaster University Press*, 2020.
- [38] A. Atkeson. On Using SIR Models to Model Disease Scenarios for COVID-19. *Quarterly Review*, 41(01):1–35, 2020.
- [39] M. Andraud, N. Hens, C. Marais, and P. Beutels. Dynamic epidemiological models for dengue transmission: A systematic review of structural approaches. *Plos One*, 7(11):1–14, 11 2012.
- [40] L.V. Madden. Botanical epidemiology: Some key advances and its continuing role in disease management. *Eur J Plant Pathol*, 115:3–23, 2006.
- [41] P. Kampmeijer and J. C. Zadoks. Asimulatoroffoci and epidemics in mixtures, multilines, and mosaics of resistant and susceptible plants. *EPIMUL*, page 50, 1997.
- [42] L.V. Madden. Botanical epidemiology: Some key advances and its continuing role in disease management. *Eur. J. Plant Pathol.*, 115:3–23, 2006.
- [43] T. Lazebnik. Computational applications of extended sir models: A review focused on airborne pandemics. *Ecological Modelling*, 483:110422, 2023.
- [44] T. Lazebnik, S. Bunimovich-Mendrazitsky, and L. Shaikhet. Novel method to analytically obtain the asymptotic stable equilibria states of extended sir-type epidemiological models. *Symmetry*, 13:1120, 2021.
- [45] J. Zhang, P. Zhou, Y. Zheng, and H. Wu. Predicting influenza with pandemic-awareness via dynamic virtual graph significance networks. *Computers in Biology and Medicine*, 158:106807, 2023.
- [46] M. Asadi-Zeydabadi, M. Buscema, W. Lodwick, G. Massini, F. Della Torre, and F. Newman. Analysis of covid-19 pandemic in usa, using topological weighted centroid. *Computers in Biology and Medicine*, 136:104670, 2021.
- [47] F. Liljeros, C. R. Edling, and L. A. N. Amaral. Sexual networks: implications for the transmission of sexually transmitted infections. *Microbes and Infection*, 5(2):189–196, 2003.
- [48] J. N. Wasserheit and S. O. Aral. The Dynamic Topology Of Sexually Transmitted Disease Epidemics: Implications For Prevention Strategies. *The Journal of Infectious Diseases*, 174:S201–S213, 1996.

- [49] S. Galvin and M. Cohen. The role of sexually transmitted diseases in HIV transmission. *Nature Reviews Microbiology*, 2:33–42, 2004.
- [50] W. O. Kermack and A. G. McKendrick. A contribution to the mathematical theory of epidemics. *Proceedings of the Royal Society*, 115:700–721, 1927.
- [51] S. Goncalves, M. Kuperman, and M. Ferreira da Costa Gomes. Promiscuity and the evolution of sexual transmitted diseases. *Physica A: Statistical Mechanics and its Applications*, 327(1):6–11, 2003.
- [52] M. Turkyilmazoglu. Explicit formulae for the peak time of an epidemic from the sir model. *Physica D: Nonlinear Phenomena*, 422:132902, 2021.
- [53] C. T. Da Ros and C. Da Silva Schmitt. Global epidemiology of sexually transmitted diseases. *Asian Journal of Andrology*, 10(1):110–114, 2008.
- [54] M. A. L. Hayashi and M. C. Eisenberg. Effects of adaptive protective behavior on the dynamics of sexually transmitted infections. *Journal of Theoretical Biology*, 388:119–130, 2016.
- [55] K. Dietz and K. P. Hadeler. Epidemiological models for sexually transmitted diseases. *Journal of Mathematical Biology*, 26:1–25, 1988.
- [56] G. P. Garnett and R. M. Anderson. Sexually transmitted diseases and sexual behavior: Insights from mathematical models. *The Journal of Infectious Diseases*, 174:S150–S161, 1996.
- [57] G. D. Fernandes and V. Maldonado. Behavioral aspects and the transmission of monkeypox: A novel approach to determine the probability of transmission for sexually transmissible diseases. *Infectious Disease Modelling*, 8(3):842–854, 2023.
- [58] J. C. Miller. Mathematical models of sir disease spread with combined non-sexual and sexual transmission routes. *Infectious Disease Modelling*, 2(1):35–55, 2017.
- [59] W. J. Edmunds, C. J. O’Callaghan, and D. J. Nokes. Who mixes with whom? a method to determine the contact patterns of adults that may lead to the spread of airborne infections. *Proceedings. Biological sciences*, 264(1384):949–957, 1997.
- [60] N. M. Ferguson, D. A. T. Cummings, C. Fraser, J. C. Cajka, P. C. Cooley, and D. S. Burke. Strategies for mitigating an influenza pandemic. *Nature*, pages 448–452, 2006.
- [61] J. L. Domingo, M. Marques, and J. Rovira. Influence of airborne transmission of sars-cov-2 on covid-19 pandemic. a review. *Environmental Research*, 188:109861, 2020.
- [62] E. O. Laumann, J. H. Gagnon, R. T. Michael, and S. Michaels. *The Social Organization of Sexuality*. University of Chicago Press, 1994.
- [63] N. Masuda and P. Holme. Temporal network epidemiology. *Springer: Singapore*, 2017.
- [64] I. Z. Kiss, J. C. Miller, and P. L. Simon. Mathematics of epidemics on networks. *Cham: Springer*, 2017.
- [65] P. Holme. Fast and principled simulations of the sir model on temporal networks. *Plos One*, 16(2):e0246961, 2021.
- [66] C. Moore and M. E. J. Newman. Epidemics and percolation in small-world networks. *Physical Review E*, 61(5):5678–82, 2000.
- [67] A. S. Klondahl, J. J. Potterat, D. E. Woodhouse, J. B. Muth, S. Q. Muth, and W. W. Darrow. Social networks and infectious disease: The colorado springs study. *Social Science & Medicine*, 38(1):79–88, 1994.
- [68] S. Yan, Y. Zhang, J. Ma, and S. Yuan. An edge-based sir model for sexually transmitted diseases on the contact network. *Journal of Theoretical Biology*, 439:216–225, 2018.

- [69] A. Alexi, A. Rosenfeld, and T. Lazebnik. Multi-species prey–predator dynamics during a multi-strain pandemic. *Chaos*, 33:073106, 2023.
- [70] S. Buder, H. Schofer, T. Meyer, V. Bremer, P. K. Kohl, A. Skaletz-Rorowski, and N. Brockmeyer. Bacterial sexually transmitted infections. *JDDG: Journal der Deutschen Dermatologischen Gesellschaft*, 17(3):287–315, 2019.
- [71] A. De Schryver and A. Meheus. International travel and sexually transmitted diseases. *World health statistics quarterly. Rapport trimestriel de statistiques sanitaires mondiales*, 42(2):90–99, 1989.
- [72] N. Low, N. Broutet, Y. Adu-Sarkodie, P. Barton, M. Hossain, and S. Hawkes. Global control of sexually transmitted infections. *The Lancet*, 368(9551):2001–2016, 2006.
- [73] V. F. Reyna and M. B. Adam. Fuzzy-trace theory, risk communication, and product labeling in sexually transmitted diseases. *Risk Analysis*, 23(2):325–342, 2003.
- [74] S. Choudhry, V. G. Ramachandran, S. Das, S. N. Bhattacharya, and N. S. Mogha. Characterization of patients with multiple sexually transmitted infections: A hospital-based survey. *Indian J Sex Transm Dis AIDS*, 31(2):87–91, 2010.
- [75] J. Paavonen. Sexually transmitted chlamydial infections and subfertility. *International Congress Series*, 1266:277–286, 2004.
- [76] R. Omori, H. Chemaitelly, C. L. Althaus, and L. J. Abu-Raddad. Does infection with chlamydia trachomatis induce long-lasting partial immunity? insights from mathematical modelling. *Sexually Transmitted Infections*, 95(2):115–121, 2019.
- [77] A. Vajdi, D. Juher, J. Saldana, and C. Scoglio. A multilayer temporal network model for std spreading accounting for permanent and casual partners. *Scientific Reports*, 3846, 2020.
- [78] L. Shami and T. Lazebnik. Economic aspects of the detection of new strains in a multi-strain epidemiological–mathematical model. *Chaos, Solitons & Fractals*, 165:112823, 2022.
- [79] C. Blackwell, J. Birnholtz, and C. Abbott. Seeing and being seen: Co-situation and impression formation using grindr, a location-aware gay dating app. *New Media & Society*, 17(7), 2014.
- [80] D. Chumachenko, V. Dobriak, M. Mazorchuk, I. Menailov, and K. Bazilevych. On agent-based approach to influenza and acute respiratory virus infection simulation. In *2018 14th International Conference on Advanced Trends in Radioelectronics, Telecommunications and Computer Engineering (TCSET)*, pages 192–195, 2018.
- [81] J. D. Priest, A. Kishore, L. Machi, C. J. Kuhlman, D. Machi, and S. S. Ravi. Csonnet: An agent-based modeling software system for discrete time simulation. In *2021 Winter Simulation Conference (WSC)*, pages 1–12, 2021.
- [82] K. M. Carley, D. B. Fridsma, E. Casman, A. Yahja, N. Altman, Li-Chiou C., B. Kaminsky, and D. Nave. Biowar: scalable agent-based model of bioattacks. *IEEE Transactions on Systems, Man, and Cybernetics - Part A: Systems and Humans*, 36(2):252–265, 2006.
- [83] L. Tesfatsion. Agent-based computational economics: Growing economies from the bottom up. *Artificial Life*, 8(1), 2002.
- [84] R. Connell, P. Dawson, and S. Alex. Comparison of an agent-based model of disease propagation with the generalised sir epidemic model. page ADA510899, 2009.
- [85] T. Lazebnik and A. Alexi. Comparison of pandemic intervention policies in several building types using heterogeneous population model. *Communications in Nonlinear Science and Numerical Simulation*, 107(4):106176, 2022.

- [86] C. M. Macal. To agent-based simulation from system dynamics. In *Proceedings of the 2010 Winter Simulation Conference*, pages 371–382, 2010.
- [87] A. Alexi, A. Rosenfeld, and T. Lazebnik. A security games inspired approach for distributed control of pandemic spread. *Advanced Theory and Simulations*, 6(2):2200631, 2023.
- [88] V. S. Alagar and K. Periyasamy. *Extended Finite State Machine*, pages 105–128. Springer London, 2011.
- [89] C. T. Bautista, E. K. Wurapa, W. B. Sateren, S. M. Morris, B. P. Hollingsworth, and J. L. Sanchez. Repeat infection with neisseria gonorrhoeae among active duty u.s. army personnel: a population-based case-series study. *Int J STD AIDS*, 28(10):962–968, 2017.
- [90] E. Savchenko, A. Rosenfeld, and S. Bunimovich-Mendrazitsky. Optimizing sms reminder campaigns for pre- and post-diagnosis cancer check-ups using socio-demographics: An in-silco investigation into bladder cancer. *arXiv*, 2023.
- [91] F. B. Ahmad, J. A. Cisewski, A. Minino, and R. N. Anderson. Provisional mortality data — united states, 2020. *MMWR Morb Mortal Wkly Rep.*, 70(14):519–522, 2021.
- [92] K. A. McElligott. Mortality from sexually transmitted diseases in reproductive-aged women: United states, 1999-2010. *Am J Public Health*, 104(8):e101–e105, 2014.
- [93] NHS. Chlamydia.
- [94] CDC. Gonorrhea – cdc basic fact sheet.
- [95] G. Tyson, V. C. Perta, H. Haddadi, and M. C. Seto. A first look at user activity on tinder. *2016 IEEE/ACM International Conference on Advances in Social Networks Analysis and Mining*, pages 461–466, 2016.
- [96] A. Smith and M. Duggan. Online dating & relationships. *Pew Internet & American Life Project*, 2013.
- [97] G. Potarca. The demography of swiping right. an overview of couples who met through dating apps in switzerland. *PLOS ONE*, 15(12):1–22, 12 2021.
- [98] L. Di Domenico, G. Pullano, C. E. Sabbatini, P. Y. Bo Elle, and V. Colizza. Impact of lockdown on covid-19 epidemic in ile-de-france and possible exit strategies. *BMC Medicine*, 2020.
- [99] K. Chatterjee, K. Chatterjee, A. Kumar, and S. Shankar. Healthcare impact of covid-19 epidemic in india: A stochastic mathematical model. *Medical Journal Armed Forces India*, 76(2):147–155, 2020.
- [100] T. Lazebnik and S. Bunimovich-Mendrazitsky. The signature features of covid-19 pandemic in a hybrid mathematical model - implications for optimal work-school lockdown policy. *Advanced theory and simulations*, 2021.
- [101] S. Zhao, L. Stone, D. Gao, S. S. Musa, M. K. C. Chong, D. He, and M. H. Wang. Imitation dynamics in the mitigation of the novel coronavirus disease (covid-19) outbreak in wuhan, china from 2019 to 2020. *Annals of Transnational Medicine*, 8, 2020.
- [102] D. Breda, F. Florian, J. Ripoll, and R. Vermiglio. Efficient numerical computation of the basic reproduction number for structured populations. *Journal of Computational and Applied Mathematics*, 384:113165, 2021.
- [103] I. E. Marie and K. Masaomi. Effects of metapopulation mobility and climate change in si-sir model for malaria disease. page 99–103. Association for Computing Machinery, 2020.
- [104] L. Zhuang, N. Cressie, L. Pomeroy, and D. Janies. Multi-species sir models from a dynamical bayesian perspective. *Theor Ecol*, 6:457–473, 2013.

- [105] W. Chen. A mathematical model of ebola virus based on sir model. In *2015 International Conference on Industrial Informatics - Computing Technology, Intelligent Technology, Industrial Information Integration*, pages 213–216, 2015.
- [106] M. Agarwal and A. S. Bhadauria. Modeling spread of polio with the role of vaccination. *Applications and Applied Mathematics*, 6:552 – 571, 2011.
- [107] S. O. Aral. Sexually transmitted diseases: magnitude, determinants and consequences. *International Journal of STD & AIDS*, 12(4):211–215, 2001.
- [108] G.-S. Tiplica, K. Radcliffe, C. Evans, M. Gomberg, R. Nandwani, A. Rafila, L. Nedelcu, and C. Salavastru. 2015 european guidelines for the management of partners of persons with sexually transmitted infections. *Journal of the European Academy of Dermatology and Venereology*, 29(7):1251–1257, 2015.
- [109] M. Kirby. Pornography and its impact on the sexual health of men. *Trends in Urology & Men's Health*, 12(2):6–10, 2021.