

Best of Both Worlds: A Pliable and Generalizable Neuro-Symbolic Approach for Relation Classification

Robert Vacareanu^{♦♦}, Fahmida Alam[♦], Md Asiful Islam[♦], Haris Riaz[♦], and Mihai Surdeanu[♦]

[♦]University of Arizona, Tucson, AZ, USA

[♦]Technical University of Cluj-Napoca, Cluj-Napoca, Romania
{rvacareanu,fahmidaalam,asifulislam,hriaz,msurdeanu}@arizona.edu

Abstract

This paper introduces a novel neuro-symbolic architecture for relation classification (RC) that combines rule-based methods with contemporary deep learning techniques. This approach capitalizes on the strengths of both paradigms: the adaptability of rule-based systems and the generalization power of neural networks. Our architecture consists of two components: a declarative rule-based model for transparent classification and a neural component to enhance rule generalizability through semantic text matching. Notably, our semantic matcher is trained in an unsupervised domain-agnostic way, solely with synthetic data. Further, these components are loosely coupled, allowing for rule modifications without retraining the semantic matcher. In our evaluation, we focused on two few-shot relation classification datasets: Few-Shot TACRED and a Few-Shot version of NYT29. We show that our proposed method outperforms previous state-of-the-art models in three out of four settings, despite not seeing any human-annotated training data. Further, we show that our approach remains modular and pliable, i.e., the corresponding rules can be locally modified to improve the overall model. Human interventions to the rules for the TACRED relation `org:parents` boost the performance on that relation by as much as 26% relative improvement, without negatively impacting the other relations, and without retraining the semantic matching component.

1 Introduction

After the “deep learning tsunami” (Manning, 2015), neural approaches for information extraction (IE) consistently pushed the boundaries of the state of the art (Yang et al., 2016; Zhang et al., 2017; Guo et al., 2019; Yamada et al., 2020; Zhong and Chen, 2020). However, all these directions come at a cost: (i) low explainability (Danilevsky et al., 2021) and (ii) fragility (Sculley et al., 2015).

Explainability is critical in many domains such as healthcare, law, and finance (Adadi and Berrada,

| Rule | [ne=per]+ <nsubj founded >dobj [ne=org]+ |
|-------------------|--|
| Sentence 1 | Bill Gates founded Microsoft |
| Sentence 2 | Bill Gates is the founder of Microsoft |
| Sentence 3 | John moved to New York City |

Figure 1: An example of the type of rules we use in our proposed method, together with three sentences. The rule captures the `org:founder` relation with a syntactic pattern anchored by the predicate *founded* that has a person named entity as its subject and an organization as the direct object. By itself, the rule matches the first sentence, but it does not match the other two. When coupled with our semantic matching component, the rule matches the first two sentences.

2018; Goodman and Flaxman, 2016; Tjoa and Guan, 2019). While there have been efforts to incorporate explainability into neural methods (Ribeiro et al., 2016; Lundberg and Lee, 2017; Tang and Surdeanu, 2023, inter alia), most explanations are *local* and *post-hoc*, which has two important drawbacks. First, such explanations are not guaranteed to be *faithful* (Jacovi and Goldberg, 2020). Second, they are not *actionable*. That is, it is not immediately possible to modify the underlying model using insights from the explanations without risking introducing new, unforeseen behavior. In contrast, rule-based¹ methods are explainable and *pliable*,² but lack the generalization power of current deep learning systems (Tang and Surdeanu, 2023).

In this paper, we propose a novel neuro-symbolic architecture for relation classification (RC) that preserves the advantages of both directions, i.e., the generalization of neural methods and the pliability of rule-based approaches with a modular approach, containing two components: a declarative rule-based model and a neural component. The first module implements relation classification with a set of explainable rules. The second increases the

¹We refer to syntactic and surface patterns as rules, such as, [ne=per]+ <nsubj founded >dobj [ne=org]+.

²Term introduced by Dayne Freitag in the panel discussion at the PaN-DL workshop (Chiticariu et al., 2022) to indicate that rules can be modified to improve the corresponding local behavior while minimizing the impact on the rest of the model.

generalizability of rules by semantically matching them over text. Figure 1 shows an example of how the two components interact.

Our specific contributions are:

(1) We propose a *modular neuro-symbolic architecture for relation classification* that combines the advantages of symbolic and neural models. The symbolic rule-based component utilizes syntactic or surface rules automatically derived from example sentences, formulated as the shortest syntactic paths between two entities within a sentence. The neural model, which semantically matches these rules over text, is trained *without any human-annotated data*. This training involves a unique process: sentences are randomly selected from a large corpus, and rules are automatically generated between random entities in these sentences. The model is then trained in a contrastive manner to assign a high score to the original (rule, sentence) pair (or a paraphrase of the sentence) and a low score otherwise. The semantic matcher is then combined with the original rule-based model in a two-stage sieve architecture that prioritizes the higher-precision component.

(2) We obtain state-of-the-art performance on three out of four settings in two challenging few-shot RC datasets –Few-Shot TACRED (Zhang et al., 2017; Sabo et al., 2021) and a few-shot version of the NYT29 dataset (Riedel et al., 2010; Takanobu et al., 2019; Alam et al., 2024), without using the background training dataset. For example, on TACRED we observe an improvement of over 12 F1 points over previous state-of-the-art neural-based supervised methods; our overall results on TACRED are 24.52 for 1-shot and 34.48 for 5-shot, *despite never training the model on any annotated examples from this dataset*. Further, the resulting model is relatively *small*, with approximately 350M parameters.

(3) We show that our approach is *pliable* through a user study in which two domain experts manually improved the rules for the `org:parents` relation in TACRED. *Without retraining the semantic-matching neural component*, the performance for this relation increases in all settings for both experts, without impacting negatively the performance for the other relations. To our knowledge, this is the first work that shows that pliability can be preserved in neural directions for IE.

2 Related Work

We overview the two main directions that influenced this work –rule-based approaches and explainable deep learning methods– as well as differences between the proposed work and prompting/in-context learning.

2.1 Rule-based Approaches

Rule-based methods were a popular direction for information extraction (IE) before the deep learning era. In the seminal work of Hearst (1992), the author proposed a method to learn pairs of words satisfying the hyponymy relation, starting from a simple hand-written rule. In Riloff (1993), the author introduced *AutoSlog*, a system capable of learning domain specific relations starting from hand-written patterns. The system was subsequently improved in Riloff (1996) using statistical techniques. Some approaches towards automatically learning the patterns include (Riloff and Jones, 1999; Riloff and Wiebe, 2003; Gupta and Manning, 2014; Vacareanu et al., 2022a); the typical direction is to employ a bootstrapping algorithm, repeatedly alternating between generating rules and generating extractions with the current rules. Such approaches provided the desired explainability and pliability, but, in retrospect, lacked the generalization capabilities of deep learning methods.

2.2 Explainable Deep Learning

Deep learning models have been the preferred approach for the vast majority of NLP tasks including information extraction (IE) in the past years (Hochreiter and Schmidhuber, 1997; Sutskever et al., 2014; Vaswani et al., 2017; Devlin et al., 2018). However, this expressivity came at a cost: numerous articles reported on the fragility of the neural networks (Szegedy et al., 2014; Ilyas et al., 2019; McCoy et al., 2019), and that neural networks can reinforce biases in the data (Bolukbasi et al., 2016; Brunet et al., 2019; Mehrabi et al., 2021). As such, having an explainable system is desirable, as long as it does not come at a high cost with respect to performance. The popular approaches to explaining neural networks are either: (i) feature importance, or (ii) surrogate models (Danilevsky et al., 2021).

Techniques based on feature importance aim to highlight the feature responsible for a given prediction. For example, Sundararajan et al. (2017) uses integrated gradients to assign an importance score

to each feature. Other techniques use the attention mechanism as an explanation of the model’s prediction (Bahdanau et al., 2015; Xu et al., 2015). Such techniques show that a feature is important, but do not show how it is being used in the model. Moreover, techniques such as interpreting attention scores have been shown to be particularly brittle. For example, Jain and Wallace (2019) has shown that many seemingly different attention patterns can allow for the same end prediction, which raises the question of explanation fidelity. Other improved attention interpretation methods include Kobayashi et al. (2020), which suggest taking the norm of the vectors into consideration as well.

Techniques based on surrogate models train a (typically) smaller and more interpretable model to explain the original one. For example, Ribeiro et al. (2016) train a linear classifier around the point that is to be explained. Lundberg and Lee (2017) uses SHAP values as a unified measure of feature importance. SHAP values are Shapley values (Shapley, 1988) of a conditional expectation function of the original model. The key issue with surrogate models is their potential lack of fidelity with respect to the original model (Danilevsky et al., 2021).

Zhou et al. (2020) proposed an approach in the same space to ours, i.e., they also train a semantic (or “soft”) rule matcher (SRM). However, there are multiple critical differences from our work. First, the SRM is used only to augment the training data for a “traditional” opaque deep learning RC model, which is the actual output of the training process. In our approach, the SRM is a critical component of the model used during inference. Second, their SRM module was developed only for surface rules consisting of word constraints, and it is unclear how to expand it to more general patterns.³ In contrast, the rules we use in our proposed method are closer to real-world application, i.e., they contain syntactic dependency constraints and semantic entity constraints. Furthermore, their proposed approach requires an initial set of labeled data, while we operate solely in a zero-shot fashion.

All in all, while both (i) feature importance and (ii) surrogate models can provide insights into how and why the deep learning model makes a certain prediction, they do not provide any systematic mechanism to make interventions to these systems.

³For example, their model cannot accommodate more expressive rules that use syntax such as [ne=per]⁺ <nsubj founded >dobj [ne=org]⁺.

2.3 Prompting and In-context Learning

Lastly, we note that, despite superficial similarities, our work is considerably different from prompting and in-context learning (Brown et al., 2020; Schick and Schütze, 2020). Unlike prompts, our rules are an integral part of the model, both explicitly and through the rule representations learned by our semantic rule matching component. Further, rules offer a higher degree of expressiveness compared to raw text. Rules allow humans to unambiguously compress abstract concepts (e.g., by incorporating syntax and semantics) towards a specific goal. In contrast, with prompting and in-context learning, the level of generalization and abstraction is uncertain (Lu et al., 2021).

As we show in Section 4, these advantages make our method obtain state-of-the-art (SOTA) performance as well as more controllable/pliable behavior. Further, in-context learning tends to perform well only with large language models. In contrast, our neural component uses a much smaller language model, containing, with approximately 350M parameters.

3 Proposed Method

We propose a hybrid model that combines the advantages of rule-based and neural approaches. Our approach first attempts to strictly match rules, i.e., all semantic/syntactic/lexical constraints must match in the input sentence for a match to be considered. If no rule matches, we back off to a neural semantic rule matching (SRM) component that semantically aligns rules with text.

A key aspect of our proposed approach is that we do *not* incorporate a `no_relation` classifier in any form, such as a NAV or MNAV (Sabo et al., 2021). This is important as training multiple representation vectors to capture the entire `no_relation` space, as proposed in (Sabo et al., 2021) can be difficult in practice, as reported by the original authors. Instead, our method is simpler: we have rules with associated underlying relations and a single threshold $t \in [0, 1]$ to decide whether the SRM assigned score between a rule and a sentence constitutes a match or not. This threshold is application-specific and can be selected on a development set.

3.1 Strict Rule Matching Component

To implement strict rule matching in our hybrid method we use Odinson (Valenzuela-Escárcega et al., 2020). Odinson is a rule-based IE framework

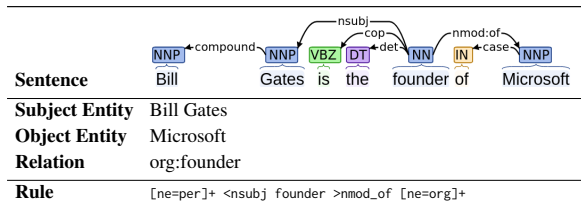


Figure 2: To create a rule from a sentence, the process involves: (a) parsing the sentence to extract its syntactic dependency tree, (b) identifying the shortest path connecting two entity mentions within this tree, and (c) constructing a rule based on the syntactic dependencies, associated words, and named entity labels found along this path. For example, the rule shown operates as follows: it requires a per (person) label connected to the word 'founder' via a nominal subject dependency, and 'founder' in turn linked to a org (organization) label through an nmod_of dependency.

with two key advantages. First, it has the capability to combine surface information with syntactic dependency constraints to create a more expressive rule set. Second, the Odinson runtime engine is optimized for speed, and capable of executing rules consisting of surface and syntactic constraints in near real-time. We provide an example of the rules we use in Figure 1, together with three sentences, one where the rule matches (Sentence 1) and two where it does not (Sentence 2 and 3), according to the strict matching algorithm in Odinson. This example highlights the key limitation of traditional rule engines: even though the second sentence is semantically similar to the first, Odinson does not match it because its syntax does not align with the syntactic constraints in the rule. These are precisely the types of problems we aim to address.

Lastly, we emphasize that our proposed method can work with different rule engines.

3.1.1 Rule Generation

In this paper, we use a simple strategy to generate rules for this component: for syntactic rules, we construct rules from the shortest path in the syntactic dependency tree that connects two entities in a training sentence. For surface rules, we simply take the words in-between the entities. Figure 2 shows an example of this process. Because we evaluate in a few-shot setting, the number of rules produced for a given relation label will be small, e.g., 1 or 5.

3.2 Semantic Rule Matching Component

The example in Figure 1 highlights the need for a more nuanced approach to rule-based relation classification, one that allows for degrees of matching to overcome the collapse of every non-match to 0. To this end, we propose a transformer-based architecture (Vaswani et al., 2017; Liu et al., 2019;

Radford et al., 2021) that embeds the rule and the sentence; the networks is trained to maximize the cosine similarity between these two embeddings in the case of real matches and minimize it otherwise. We describe the training procedure of our proposed semantic rule matcher below.

3.2.1 Training Dataset

A key question is how to obtain training data for the semantic rule matching component, i.e., data that aligns rules with sentences where they should match. Our method circumvents the need for gold-annotated data, capitalizing on a key insight: for any pair of entities within a sentence, a representative rule can be automatically formulated. Take, for instance, the sentence *John moved to New York City*, featuring entities *John* and *New York City*. From this, we can derive a rule, such as `[ne=per]+ <nsubj moved >nmod_to [ne=loc]+` using the underlying syntactic structure of the sentence. This rule, inherently, is indicative of the relationship between these entities, irrespective of the specific nature of this relationship. By applying this principle, we can train our model to assign a high matching score to the tuple consisting this rule and the original entities within their context, while assigning low scores to any other combinations. This innovative approach allows us to automatically create a training dataset, bypassing the traditional reliance on pre-labeled data.

To encourage the SRM to look beyond syntactic/surface structures, we create paraphrases for the extracted sentences. For example, *John moved to New York City* can be rephrased as *John relocated to New York City* without losing any semantic information. We use this insight to expand the resulting dataset with paraphrases that contain the two entities of interest.⁴ We provide more details below.

We start from UMBC, a dataset of English paragraphs, totaling 3 billion words (Han et al., 2013). We pre-process this dataset with standard NLP tools (Manning et al., 2014) for named entity annotations and for dependency parsing. Then, we randomly sample a sentence s_1 containing two random entities of interest (e_1, e_2), and automatically construct a rule r_1 that will match it. The resulting tuple (r_1, s_1) will then be added in the resulting dataset.⁵ This process resulted in an initial dataset

⁴We use OpenAI’s ChatGPT for this purpose (gpt-3.5-turbo-1106)

⁵We provide details of the entities we sample in the Appendix B.

of approximately 140 million sentence/rule tuples. This dataset is further preprocessed as follows:

(1) We filter the data by removing duplicates and by sub-sampling frequent rules and entities. The underlying motivation is to prevent the model from overfitting to very common rules or entity types. For example, the pair (ORG, COUNTRY) is roughly 2 orders of magnitude more common than (ORG, EMAIL). At the end of this stage, the resulting dataset has approximately 4 million examples.

(2) We augment the entity types with synonyms, with the goal of encouraging the SRM component to generalize beyond the superficial clues from the entity types. For example, we randomly replace the entity type *per* with *human*, or *individual*. We provide a complete list of the synonyms we used in Appendix C.

(3) We generate paraphrases of the original sentence, while keeping the two entities of interest in the sentence. We use OpenAI’s ChatGPT (gpt-3.5-turbo-1106) as our paraphraser, using a simple prompt (shown in Appendix D). Out of the paraphrases generated, we keep only those that contain the two entities of interest.

In Section 4, we ablate over these three techniques to assess their contribution to the performance of the final model. In total, the resulting dataset has a total of approximately 5.6 million (rule, sentence) pairs, out of which about 1.6 million pairs were generated through paraphrasing. When learning sentence representations, we follow prior works on relation extraction (Zhang et al., 2017; Joshi et al., 2020; Zhou and Chen, 2021) and wrap the entities with special tokens, together with the corresponding named entity. For example, given the entities *Bill Gates* and *Microsoft*, the sentence *Bill Gates founded Microsoft* becomes: # * *per* * *Bill Gates* # *founded* # * *org* * *Microsoft* #.

3.3 Training the Semantic Rule Matching

We leverage the resulting dataset to train the semantic rule matching component with a CLIP-like objective. Concretely, the dataset consists of examples of the form (r, s) , for example: ([ne=per]+ <nsubj founded >nmod_in [ne=org]+, # * *per* * *Bill Gates* # *founded* # * *org* * *Microsoft* #). We train the SRM component to assign a high cosine similarity score between the embedding of r and the embedding of s , and we use the other in-batch examples as negatives (Radford et al., 2021). Importantly, *we do not use any human-annotated data*

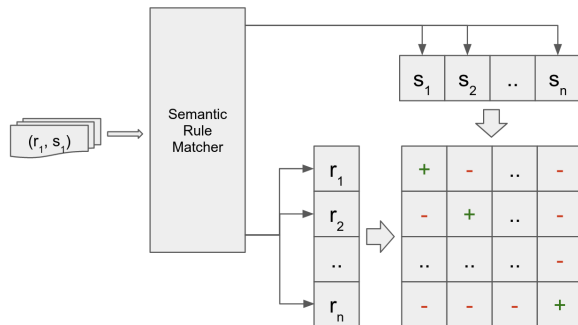


Figure 3: In our training for the Semantic Rule Matcher (SRM), we encode both rules and sentences, followed by calculating cosine similarity between each pair. The goal is to maximize similarity for matching pairs (diagonal of the matrix) and minimize it for non-matching pairs (off-diagonal elements).

or any domain-specific relation labels for training. We provide an overview of the training mechanism in Figure 3. We use the SRM to encode the rules and the sentences in the current batch. Then, we compute the cosine similarity between every rule and every sentence. Our training objective is then to maximize the similarity scores of matching pairs, found along the diagonal of this matrix. Simultaneously, we minimize the scores of non-matching pairs, which constitute the off-diagonal elements. Due to space constraints, we include examples of sentences, rules, and their resulting similarities in Appendix A.

4 Experiments

4.1 Experimental Setup

We evaluate our proposed method on Few-Shot TACRED (Sabo et al., 2021), a few-shot variant of the TACRED dataset (Zhang et al., 2017) and on a few-shot variant of the NYT29 dataset (Riedel et al., 2010; Takanobu et al., 2019; Alam et al., 2024). In few-shot settings, the training and testing relation labels are disjoint. We have access to a background training set for tuning the model, but we emphasize that our proposed method does not use it. Each test sentence is accompanied by 1 (1-shot) or 5 (5-shot) support sentences.

We use RoBERTa-large (Liu et al., 2019) for our semantic matching component. Similar to CLIP (Radford et al., 2021), we use one model for encoding the rule and one model for encoding the sentence. We generate rules from the support sentences in each dataset. We use CoreNLP (Manning et al., 2014) to obtain the underlying syntactic structure for rule construction.

At prediction time, we use the proposed method

in three ablative configurations: (1) Simply apply the resulting rules in a binary matching fashion, i.e., no SRM (**Hard-matching Rules**); (2) Use the semantic rule matching module to compute a similarity score between each rule and each sentence, interpreting a similarity above a threshold t as a match⁶ (**Soft-matching Rules**); (3) A combination of (1) and (2), where we first attempt to apply the rules in a typical binary match/no match way (i.e., “hard” matching), and if no rule matches we fall back to the semantic rule matching component (i.e. “soft” matching). We call this approach **Hybrid**.

4.2 Baselines

We compare our proposed approach with one strong unsupervised baseline and several state-of-the-art supervised approaches from previous work.

Unsupervised Baseline: Similar to the baseline introduced in (Vacareanu et al., 2022b), this baseline utilizes entity types from query and support sentences for classification, defaulting to `no_relation` if no matching types are found.

Sentence-Pair: Employs a transformer-based model to classify concatenated query and support sentences (Gao et al., 2019). We reimplemented this baseline using sentence transformers (Reimers and Gurevych, 2019).

MNAV (Sabo et al., 2021): A transformer-based relation classifier is trained on a background set to align vector representations for sentences with identical relations, including multiple vectors for the `no_relation` class. During testing, it calculates similarity scores between the test sentence and both the `no_relation` vectors and support sentence vectors for each relation. For multiple support sentences of the same relation, it uses an averaged vector representation. The final prediction corresponds to the relation with the highest similarity score.

OdinSynth (Vacareanu et al., 2022b): Utilizes transformer-based rule synthesis from support sentences, predicting the relation with the most rule matches, or `no_relation` if there are none.

4.3 Main Results

We present our main results in Tables 1 and 2 for the standard 1-shot and 5-shot settings on the two datasets. Additionally, we differentiate between methods that use the background training dataset

⁶We tune the threshold on the development partition of each dataset; we do not train on any data from the datasets

from the ones that do not (i.e., are Zero-Shot).⁷

We concentrate our discussion on comparing between contemporary rule-based methods (OdinSynth) and strong neural-based methods (MNAV). We draw the following observations. First, compared to MNAV, the state-of-the-art neural-based method on Few-Shot TACRED, our proposed approach outperforms it in three out of the four settings investigated. For example, in the 1-shot case of Few-Shot TACRED, our proposed method improves upon MNAV by over 12 F1 points (approximately 100% relative improvement), despite not being trained with any human-annotated data. Second, compared with Odinsynth, the current best rule-based method on Few-Shot TACRED, our proposed hybrid approach largely outperforms it in both 1-shot and 5-shot cases. This validates the hypothesis that combining a neural network with traditional rule-based approaches outperforms rule-only methods. Importantly, the increased performance does not come at a cost in terms of precision, as our proposed method largely outperforms Odinsynth in terms of precision as well as recall. A similar conclusion holds for the few-shot variant of NYT29 as well.

All in all, our proposed method obtains state-of-the-art performance *despite not being trained on any of the human-annotated examples from the respective training datasets*.

4.4 Ablation Analysis

Next, we analyze the contributions of each key component in our proposed method. We show the results of the ablation study in Table 3. The three components that we analyze are:

- (i) The pre-processing of our training dataset, where we filter out duplicates and sub-sample very frequent rules and entities.
- (ii) The data augmentation, where we randomly replace the entities in the rule and in the sentence with synonyms. For example, a rule such as `[ne=per]+ <nsubj founded >nmod_in [ne=org]+` becomes `[ne=human]+ <nsubj founded >nmod_in [ne=company]+`. Similar augmentation are performed to sentences as well, where the named entity in the marker (Zhou and Chen, 2021) is changed with its synonyms.
- (iii) The inclusion of paraphrases. For example, a sentence such as *Bill Gates founded Microsoft* can

⁷By zero-shot we mean methods that do not use human-annotated examples for training.

| Model | 5-way 1-shot | | | 5-way 5-shot | | | Uses Background Data |
|--------------------------------|--------------|--------------|---------------------|--------------|--------------|---------------------|----------------------|
| | P | R | F1 | P | R | F1 | |
| Unsupervised Baseline | 5.70 ± 0.10 | 91.02 ± 0.65 | 10.73 ± 0.18 | 5.65 ± 0.11 | 95.56 ± 0.70 | 10.67 ± 0.20 | No |
| Sentence-Pair (not fine-tuned) | 3.9 ± 0.21 | 5.21 ± 0.31 | 4.45 ± 0.24 | 2.76 ± 0.16 | 8.79 ± 0.58 | 4.2 ± 0.25 | No |
| Sentence-Pair (fine-tuned) | 6.89 ± 0.33 | 28.56 ± 1.67 | 11.10 ± 0.55 | 14.94 ± 0.26 | 24.03 ± 0.32 | 18.42 ± 0.16 | Yes |
| MNAV (reported) | - | - | 12.39 ± 1.01 | - | - | 30.04 ± 1.92 | Yes |
| MNAV (re-run by us) | 15.11 ± 0.46 | 8.47 ± 0.31 | 10.85 ± 0.29 | 24.48 ± 1.02 | 32.00 ± 1.07 | 27.73 ± 0.94 | Yes |
| Odinsynth | 23.48 ± 1.46 | 11.46 ± 1.02 | 15.40 ± 1.21 | 29.77 ± 0.83 | 20.34 ± 0.53 | 24.16 ± 0.44 | No |
| Hard-matching Rules (ours) | 51.35 ± 6.53 | 2.94 ± 0.48 | 5.56 ± 0.90 | 45.94 ± 5.31 | 10.81 ± 1.23 | 17.50 ± 1.98 | No |
| Soft-matching Rules (ours) | 33.46 ± 1.47 | 19.69 ± 1.14 | 24.78 ± 1.22 | 51.66 ± 1.85 | 26.02 ± 1.29 | 34.59 ± 1.24 | No |
| Hybrid (ours) | 32.45 ± 1.28 | 19.72 ± 1.08 | 24.52 ± 1.11 | 44.73 ± 1.64 | 28.09 ± 1.40 | 34.48 ± 1.21 | No |

Table 1: The results for the 5-way 1-shot and 5-way 5-shot settings on the test partition of the Few-Shot TACRED dataset. We split the table into 4 blocks as follows: (1) a strong unsupervised baseline where the classification is performed based on the types of the entities, (2) state-of-the-art neural methods, (3) rule synthesis using transformer networks, and (4) our proposed method. Our proposed method outperforms previous state-of-the-art methods on both 1-shot and 5-shot splits.

| Model | 5-way 1-shot | | | 5-way 5-shot | | | Uses Background Data |
|--------------------------------|--------------|--------------|---------------------|--------------|--------------|---------------------|----------------------|
| | P | R | F1 | P | R | F1 | |
| Unsupervised Baseline | 11.60 ± 0.18 | 40.34 ± 0.54 | 18.03 ± 0.26 | 11.70 ± 0.25 | 40.65 ± 0.45 | 18.17 ± 0.34 | No |
| Sentence-Pair (not fine-tuned) | 10.61 ± 0.32 | 12.39 ± 0.41 | 11.43 ± 0.35 | 15.81 ± 0.94 | 5.41 ± 0.25 | 8.06 ± 0.39 | No |
| Sentence-Pair (fine-tuned) | 38.09 ± 2.42 | 7.4 ± 0.42 | 12.4 ± 0.71 | 36.48 ± 1.37 | 16.02 ± 0.41 | 22.26 ± 0.62 | Yes |
| MNAV | 25.08 ± 0.73 | 34.37 ± 0.87 | 29.00 ± 0.80 | 33.24 ± 1.06 | 15.47 ± 0.38 | 21.12 ± 0.55 | Yes |
| OdinSynth | 30.07 ± 0.93 | 9.42 ± 0.31 | 14.34 ± 0.46 | 21.61 ± 0.61 | 17.98 ± 0.45 | 19.63 ± 0.51 | No |
| Hard-matching Rules (ours) | 77.47 ± 1.53 | 1.53 ± 0.13 | 3.01 ± 0.25 | 80.49 ± 1.73 | 3.40 ± 0.12 | 6.52 ± 0.23 | No |
| Soft-matching Rules (ours) | 20.80 ± 0.38 | 12.27 ± 0.39 | 15.44 ± 0.40 | 24.50 ± 0.83 | 16.67 ± 0.49 | 19.84 ± 0.59 | No |
| Hybrid (ours) | 22.23 ± 0.47 | 13.45 ± 0.38 | 16.76 ± 0.41 | 27.29 ± 0.77 | 19.52 ± 0.49 | 22.76 ± 0.56 | No |

Table 2: The results for the 5-way 1-shot and 5-way 5-shot settings on the test partition of the Few-Shot NYT29 dataset. We split the table into 4 blocks as follows: (1) a strong unsupervised baseline where the classification is performed based on the types of the entities, (2) state-of-the-art neural methods, (3) rule synthesis using transformer networks, and (4) our proposed method. Our proposed method obtains the best performance in the 5-shot case, outperforming neural-based methods trained on the background training data.

be automatically paraphrased into *Bill Gates is the founder of Microsoft* using an LLM without losing any semantic information.

The analysis in Table 3 indicates that all three components contribute to the final performance, to varying degrees. First, our findings suggest that the data pre-processing contributes the most to the final performance, suggesting that the quality and structure of the input data play a crucial role in preparing the model to accurately handle the complexities of relation classification tasks. Second, the decline observed in the ‘No paraphrases’ setting suggests that the inclusion of paraphrases encourages the model to learn less obvious semantic variations. Third, the rule and sentence augmentation appear to have the lowest impact. We argue that this is because both datasets that we use, the few-shot variants of TACRED and NYT29, contain the same common named entities, such as person and organization. These entities were seen during training, due to their prevalence. We hypothesize that this augmentation shines when the named entities used in the rules are not seen during training. We leave this exploration to future work.

4.5 Are Soft Matching Rules still Pliable?

One key advantage of rules is that they are pliable (see Footnote 2) and modular. This means that a domain expert is able to modify the model effectively without risking introducing unknown and undesirable behavior (Sculley et al., 2015).

We analyze the degree to which interventions on the resulting rules can improve the final performance. We choose the relation `org:parents` from the development set, as it is a relation relatively well represented in the dataset and one where our model obtains a lower F1 score. We design the following experiment: two experts have access to the syntactic rules associated with the support sentences from the development partition of the Few-Shot TACRED. They have up to two hours to improve the rule set and the following operations:

ADD Rule: Adds a new rule which will be available to every episode. This operation simulates the practical example where practitioners aim to incorporate new knowledge to the model to be used at inference time.

DELETE Rule: For a given support sentence with the relation `org:parents` in a given episode, the

| Model Type | Ablation | 5-way 1-shot | | | 5-way 5-shots | | |
|------------|-------------------------------|--------------|--------------|--------------|---------------|--------------|--------------|
| | | P | R | F1 | P | R | F1 |
| Hybrid | Original | 52.41 ± 4.07 | 33.03 ± 1.01 | 40.50 ± 1.97 | 55.31 ± 2.04 | 49.98 ± 2.55 | 52.50 ± 2.28 |
| | No Paraphrases | 37.18 ± 2.80 | 29.30 ± 1.00 | 32.74 ± 1.46 | 42.55 ± 2.16 | 49.98 ± 2.34 | 45.95 ± 2.06 |
| | No data pre-processing | 41.92 ± 3.18 | 22.48 ± 1.40 | 29.24 ± 1.79 | 54.70 ± 3.30 | 40.06 ± 2.84 | 46.18 ± 2.48 |
| | No Rule/Sentence Augmentation | 46.59 ± 3.02 | 34.03 ± 1.37 | 39.32 ± 1.96 | 46.80 ± 1.79 | 53.56 ± 2.80 | 49.94 ± 2.09 |
| SoftRules | Original | 53.41 ± 4.25 | 32.54 ± 1.15 | 40.42 ± 2.10 | 59.38 ± 2.35 | 48.61 ± 2.61 | 53.45 ± 2.51 |
| | No Paraphrases | 37.50 ± 2.86 | 28.87 ± 1.03 | 32.59 ± 1.51 | 44.60 ± 2.22 | 49.18 ± 2.47 | 46.77 ± 2.20 |
| | No data pre-processing | 41.83 ± 3.54 | 21.99 ± 1.54 | 28.80 ± 1.99 | 57.24 ± 3.31 | 37.87 ± 2.63 | 45.58 ± 2.90 |
| | No Rule/Sentence Augmentation | 47.28 ± 3.13 | 33.57 ± 1.52 | 39.26 ± 2.10 | 49.21 ± 1.74 | 52.27 ± 2.95 | 50.68 ± 2.19 |

Table 3: Ablation results on the 5-way 1-shot and 5-way 5-shot on the development partition of the few-shot TACRED dataset. Each ablation condition is tested independently, with only one modification applied compared to the Original model.

model will not have access to the rule generated on that support sentence.

MODIFY Rule: This operation modifies a given rule. This modification will only be visible in the episodes for which this particular rule appears.

We show the statistics of the operations used by the experts in Appendix E.

We show our results in Table 4. We detail two sets of results, showcasing the adaptability and effectiveness of our proposed method in relation classification. The first set is based on expert rule modifications without altering the classification threshold. The second set, in contrast, involves an increase in the threshold specifically for the `org:parents` rules, motivated by the greater average similarity seen with more general rules (created by the human annotators) compared to the lower alignment of highly specific rules (generated automatically from support sentences). For instance, rules synthesized from support sentences often yield highly specific constructs, such as `[ne=org]+ <nmod_from taken >conj_and operating >nmod_under brandname >compound [ne=org]+`. Such rules typically align poorly with the majority of sentences, attracting lower similarity scores. In contrast, the introduction of more general rules, e.g.: `[ne=org]+ >appos subsidiary >nmod_of [ne=org]+`, enhances rule-to-sentence similarity. This observed increase in average similarity was not accounted for with the original, unchanged classification threshold. To address this, we conducted a second set of experiments where the threshold was selectively increased by 0.1, but only for the `org:parents` relation.

We observe a consistent performance increase across both expert interventions and both threshold scenarios. With the classification threshold held constant, expert modifications led to an improvement of approximately 4 F1 points, a relative increase of about 25%. When the threshold for the `org:parents` relation was raised, the performance

| Model | Original threshold | Stricter threshold |
|----------|--------------------|--------------------|
| Original | 15.57 ± 1.39 | 15.57 ± 1.39 |
| Expert 1 | 19.42 ± 0.65 | 31.78 ± 2.18 |
| Expert 2 | 19.77 ± 1.08 | 34.03 ± 1.91 |

Table 4: F1 performance for the relation `org:parents` after two domain experts individually modified the corresponding rules. We compare scores before and after these changes, in two settings: (i) same threshold, (ii) stricter threshold.

gains were even more pronounced, exceeding 15 F1 points and representing a relative increase of around 100%. Notably, these enhancements did not adversely affect the performance on other relations.

5 Conclusion

We introduced a novel neuro-symbolic approach for relation extraction that combines the better generalization of neural networks with the explainability and pliability of rules. Our method first attempts to match the rule in a typical binary match/no match way. When a rule does not match, our approach then semantically matches it over text using a semantic matching component, which is contrastively trained without any human-annotated training data, akin to an LLM for rules.

We evaluated our model on two challenging few-shot datasets: Few-Shot TACRED (Sabo et al., 2021) and a few-shot variant of NYT29 (Alam et al., 2024). We showed that our method achieves strong performance, outperforming state-of-the-art supervised methods in three out of the four settings we investigated. Moreover, we empirically validated that our proposed method retains the pliability of rule-based methods, i.e., where humans can refine the underlying classification rules to noticeably increase the final performance. Notably, the resulting model is relatively small, i.e., it consists of an encoder of approximately 350M parameters, which makes it considerably more efficient than a decoder-based LLM.⁸

⁸Code available at <https://github.com/robertvacareanu/softrules>

Acknowledgments

This work was partially supported by the Defense Advanced Research Projects Agency (DARPA) under the ASKEM program. Mihai Surdeanu declares a financial interest in [lum.ai](#). This interest has been properly disclosed to the University of Arizona Institutional Review Committee and is managed in accordance with its conflict of interest policies.

Limitations

We evaluate our proposed approach only for the English language, where high-quality syntactic parsers are available, and relation classification, where most relations to be learned can be well covered by syntactic patterns. Nevertheless, thanks to efforts such as Universal Dependencies (Nivre et al., 2020), high-quality parsing data is available to a large number of languages.

In general, rules seem to perform best for closed-world scenarios common to information extraction tasks. It is not immediately obvious how well rules (even with the proposed “soft” match) would port to more open-ended tasks such as question answering.

Ethics Statement

Our approach uses pre-trained language models as the backbone of our soft matching component. Therefore this work shares many of the same ethical issues such as social biases or perpetuating stereotypes (Weidinger et al., 2021). Our work attempts to improve upon these by using a sieve architecture, where the first step is to apply the rule as in a typical rule-based model. This step is completely transparent to the practitioner, as they can add, modify, or delete rules. In the second step, we use a transformer-based model to semantically match the rules with sentences where an exact match is not possible. Our pliability experiment showed that our approach retains the benefits of typical rule-based models, as the experts are able to intervene on the rules, and, thus, correct any potential biases that may exist. However, we acknowledge that more work is necessary to better understand the transparency of the semantic-matching component.

References

- Amina Adadi and Mohammed Berrada. 2018. Peeking inside the black-box: A survey on explainable artificial intelligence (xai). *IEEE Access*, 6:52138–52160.
- Fahmida Alam, Md Asiful Islam, Robert Vacareanu, and Mihai Surdeanu. 2024. Towards realistic few-shot relation extraction: A new meta dataset and evaluation. In *Proceedings of the 2024 Joint International Conference on Computational Linguistics, Language Resources and Evaluation*.
- Dzmitry Bahdanau, Kyunghyun Cho, and Yoshua Bengio. 2015. Neural machine translation by jointly learning to align and translate. *CoRR*, abs/1409.0473.
- Tolga Bolukbasi, Kai-Wei Chang, James Y. Zou, Venkatesh Saligrama, and Adam Tauman Kalai. 2016. Man is to computer programmer as woman is to homemaker? debiasing word embeddings. In *NIPS*.
- Tom Brown, Benjamin Mann, Nick Ryder, Melanie Subbiah, Jared D Kaplan, Prafulla Dhariwal, Arvind Neelakantan, Pranav Shyam, Girish Sastry, Amanda Askell, et al. 2020. Language models are few-shot learners. *Advances in neural information processing systems*, 33:1877–1901.
- Marc-Etienne Brunet, Colleen Alkalay-Houlihan, Ashton Anderson, and Richard S. Zemel. 2019. Understanding the origins of bias in word embeddings. In *ICML*.
- Laura Chiticariu, Yoav Goldberg, Gus Hahn-Powell, Clayton T. Morrison, Aakanksha Naik, Rebecca Sharp, Mihai Surdeanu, Marco Valenzuela-Escárcega, and Enrique Noriega-Atala, editors. 2022. *Proceedings of the First Workshop on Pattern-based Approaches to NLP in the Age of Deep Learning*. International Conference on Computational Linguistics, Gyeongju, Republic of Korea.
- Marina Danilevsky, Shipi Dhanorkar, Yunyao Li, Lucian Popa, Kun Qian, and Anbang Xu. 2021. [Explainability for natural language processing](#). In *Proceedings of the 27th ACM SIGKDD Conference on Knowledge Discovery & Data Mining, KDD '21*, page 4033–4034, New York, NY, USA. Association for Computing Machinery.
- Jacob Devlin, Ming-Wei Chang, Kenton Lee, and Kristina Toutanova. 2018. [BERT: pre-training of deep bidirectional transformers for language understanding](#). *CoRR*, abs/1810.04805.
- Tianyu Gao, Xu Han, Hao Zhu, Zhiyuan Liu, Peng Li, Maosong Sun, and Jie Zhou. 2019. Fewrel 2.0: Towards more challenging few-shot relation classification. In *EMNLP/IJCNLP*.
- Bryce Goodman and Seth Flaxman. 2016. European union regulations on algorithmic decision-making and a "right to explanation". *AI Mag.*, 38:50–57.

- Zhijiang Guo, Yan Zhang, and Wei Lu. 2019. [Attention guided graph convolutional networks for relation extraction](#). In *Proceedings of the 57th Annual Meeting of the Association for Computational Linguistics*, pages 241–251, Florence, Italy. Association for Computational Linguistics.
- S. Gupta and Christopher D. Manning. 2014. Improved pattern learning for bootstrapped entity extraction. In *CoNLL*.
- Lushan Han, Abhay Lokesh Kashyap, Timothy W. Finin, James Mayfield, and Jonathan Weese. 2013. Umbc_ebiquity-core: Semantic textual similarity systems. In **SEMEVAL*.
- Marti A. Hearst. 1992. [Automatic acquisition of hyponyms from large text corpora](#). In *COLING 1992 Volume 2: The 14th International Conference on Computational Linguistics*.
- Sepp Hochreiter and Jürgen Schmidhuber. 1997. Long short-term memory. *Neural Computation*, 9:1735–1780.
- Andrew Ilyas, Shibani Santurkar, Dimitris Tsipras, Logan Engstrom, Brandon Tran, and Aleksander Madry. 2019. Adversarial examples are not bugs, they are features. *ArXiv*, abs/1905.02175.
- Alon Jacovi and Yoav Goldberg. 2020. Towards faithfully interpretable nlp systems: How should we define and evaluate faithfulness? *ArXiv*, abs/2004.03685.
- Sarthak Jain and Byron C. Wallace. 2019. [Attention is not explanation](#). *CoRR*, abs/1902.10186.
- Mandar Joshi, Danqi Chen, Yinhan Liu, Daniel S. Weld, Luke Zettlemoyer, and Omer Levy. 2020. [SpanBERT: Improving pre-training by representing and predicting spans](#). *Transactions of the Association for Computational Linguistics*, 8:64–77.
- Goro Kobayashi, Tatsuki Kuribayashi, Sho Yokoi, and Kentaro Inui. 2020. Attention is not only a weight: Analyzing transformers with vector norms. In *EMNLP*.
- Yinhan Liu, Myle Ott, Naman Goyal, Jingfei Du, Mandar Joshi, Danqi Chen, Omer Levy, Mike Lewis, Luke Zettlemoyer, and Veselin Stoyanov. 2019. [Roberta: A robustly optimized bert pretraining approach](#). *ArXiv*, abs/1907.11692.
- Yao Lu, Max Bartolo, Alastair Moore, Sebastian Riedel, and Pontus Stenetorp. 2021. Fantastically ordered prompts and where to find them: Overcoming few-shot prompt order sensitivity. *arXiv preprint arXiv:2104.08786*.
- Scott M Lundberg and Su-In Lee. 2017. [A unified approach to interpreting model predictions](#). In I. Guyon, U. V. Luxburg, S. Bengio, H. Wallach, R. Fergus, S. Vishwanathan, and R. Garnett, editors, *Advances in Neural Information Processing Systems 30*, pages 4765–4774. Curran Associates, Inc.
- Christopher D. Manning. 2015. Computational linguistics and deep learning. *Computational Linguistics*, 41:701–707.
- Christopher D. Manning, Mihai Surdeanu, John Bauer, Jenny Rose Finkel, Steven Bethard, and David McClosky. 2014. The stanford corenlp natural language processing toolkit. In *Annual Meeting of the Association for Computational Linguistics*.
- R. Thomas McCoy, Ellie Pavlick, and Tal Linzen. 2019. Right for the wrong reasons: Diagnosing syntactic heuristics in natural language inference. In *ACL*.
- Ninareh Mehrabi, Fred Morstatter, Nripsuta Ani Saxena, Kristina Lerman, and A. G. Galstyan. 2021. A survey on bias and fairness in machine learning. *ACM Computing Surveys (CSUR)*, 54:1 – 35.
- Joakim Nivre, Marie-Catherine de Marneffe, Filip Ginter, Jan Hajič, Christopher D. Manning, Sampo Pyysalo, Sebastian Schuster, Francis Tyers, and Daniel Zeman. 2020. [Universal Dependencies v2: An evergrowing multilingual treebank collection](#). In *Proceedings of the Twelfth Language Resources and Evaluation Conference*, pages 4034–4043, Marseille, France. European Language Resources Association.
- Alec Radford, Jong Wook Kim, Chris Hallacy, Aditya Ramesh, Gabriel Goh, Sandhini Agarwal, Girish Sastry, Amanda Askell, Pamela Mishkin, Jack Clark, Gretchen Krueger, and Ilya Sutskever. 2021. [Learning transferable visual models from natural language supervision](#). In *International Conference on Machine Learning*.
- Nils Reimers and Iryna Gurevych. 2019. [Sentence-bert: Sentence embeddings using siamese bert-networks](#). In *Proceedings of the 2019 Conference on Empirical Methods in Natural Language Processing*. Association for Computational Linguistics.
- Marco Tulio Ribeiro, Sameer Singh, and Carlos Guestrin. 2016. ["why should i trust you?": Explaining the predictions of any classifier](#). In *Proceedings of the 22nd ACM SIGKDD International Conference on Knowledge Discovery and Data Mining, KDD '16*, page 1135–1144, New York, NY, USA. Association for Computing Machinery.
- Sebastian Riedel, Limin Yao, and Andrew McCallum. 2010. Modeling relations and their mentions without labeled text. In *Joint European Conference on Machine Learning and Knowledge Discovery in Databases*, pages 148–163. Springer.
- Ellen Riloff. 1993. Automatically constructing a dictionary for information extraction tasks. In *AAAI*.
- Ellen Riloff. 1996. Automatically generating extraction patterns from untagged text. In *AAAI/IAAI, Vol. 2*.
- Ellen Riloff and R. Jones. 1999. Learning dictionaries for information extraction by multi-level bootstrapping. In *AAAI/IAAI*.

- Ellen Riloff and Janyce Wiebe. 2003. Learning extraction patterns for subjective expressions. In *EMNLP*.
- Ofar Sabo, Yanai Elazar, Yoav Goldberg, and Ido Dagan. 2021. [Revisiting few-shot relation classification: Evaluation data and classification schemes](#). *Transactions of the Association for Computational Linguistics*, 9:691–706.
- Timo Schick and Hinrich Schütze. 2020. Exploiting cloze questions for few shot text classification and natural language inference. *arXiv preprint arXiv:2001.07676*.
- D. Sculley, Gary Holt, Daniel Golovin, Eugene Davydov, Todd Phillips, Dietmar Ebner, Vinay Chaudhary, Michael Young, Jean-François Crespo, and Dan Dennison. 2015. Hidden technical debt in machine learning systems. In *NIPS*.
- Lloyd S. Shapley. 1988. A value for n-person games.
- Mukund Sundararajan, Ankur Taly, and Qiqi Yan. 2017. Axiomatic attribution for deep networks. *ArXiv*, abs/1703.01365.
- Ilya Sutskever, Oriol Vinyals, and Quoc V. Le. 2014. Sequence to sequence learning with neural networks. In *Proceedings of the 27th International Conference on Neural Information Processing Systems - Volume 2*, NIPS’14, page 3104–3112, Cambridge, MA, USA. MIT Press.
- Christian Szegedy, Wojciech Zaremba, Ilya Sutskever, Joan Bruna, D. Erhan, Ian J. Goodfellow, and Rob Fergus. 2014. Intriguing properties of neural networks. *CoRR*, abs/1312.6199.
- Ryuichi Takanobu, Tianyang Zhang, Jiexi Liu, and Minlie Huang. 2019. A hierarchical framework for relation extraction with reinforcement learning. In *Proceedings of the AAAI conference on artificial intelligence*, volume 33, pages 7072–7079.
- Zheng Tang and Mihai Surdeanu. 2023. [It takes two flints to make a fire: Multitask learning of neural relation and explanation classifiers](#). *Computational Linguistics*. Accepted on 2022.
- Erico Tjoa and Cuntai Guan. 2019. A survey on explainable artificial intelligence (xai): Toward medical xai. *IEEE Transactions on Neural Networks and Learning Systems*, 32:4793–4813.
- Robert Vacareanu, Dane Bell, and Mihai Surdeanu. 2022a. Patternrank: Jointly ranking patterns and extractions for relation extraction using graph-based algorithms. In *Proceedings of the First Workshop on Pattern-based Approaches to NLP in the Age of Deep Learning*, pages 1–10.
- Robert Vacareanu, Marco A. Valenzuela-Escarcega, George C. G. Barbosa, Rebecca Sharp, and Mihai Surdeanu. 2022b. [From examples to rules: Neural guided rule synthesis for information extraction](#).
- Marco A. Valenzuela-Escárcega, Gus Hahn-Powell, and Dane Bell. 2020. [Odinson: A fast rule-based information extraction framework](#). In *Proceedings of the Twelfth Language Resources and Evaluation Conference*, pages 2183–2191, Marseille, France. European Language Resources Association.
- Ashish Vaswani, Noam Shazeer, Niki Parmar, Jakob Uszkoreit, Llion Jones, Aidan N. Gomez, undefinukasz Kaiser, and Illia Polosukhin. 2017. Attention is all you need. In *Proceedings of the 31st International Conference on Neural Information Processing Systems, NIPS’17*, page 6000–6010, Red Hook, NY, USA. Curran Associates Inc.
- Laura Weidinger, John F. J. Mellor, Maribeth Rauh, Conor Griffin, Jonathan Uesato, Po-Sen Huang, Myra Cheng, Mia Glaese, Borja Balle, Atoosa Kasirzadeh, Zachary Kenton, Sande Minnich Brown, William T. Hawkins, Tom Stepleton, Courtney Biles, Abeba Birhane, Julia Haas, Laura Rimell, Lisa Anne Hendricks, William S. Isaac, Sean Legassick, Geoffrey Irving, and Iason Gabriel. 2021. Ethical and social risks of harm from language models. *ArXiv*, abs/2112.04359.
- Ke Xu, Jimmy Ba, Ryan Kiros, Kyunghyun Cho, Aaron C. Courville, Ruslan Salakhutdinov, Richard S. Zemel, and Yoshua Bengio. 2015. Show, attend and tell: Neural image caption generation with visual attention. In *ICML*.
- Ikuya Yamada, Akari Asai, Hiroyuki Shindo, Hideaki Takeda, and Yuji Matsumoto. 2020. Luke: Deep contextualized entity representations with entity-aware self-attention. In *Conference on Empirical Methods in Natural Language Processing*.
- Zichao Yang, Diyi Yang, Chris Dyer, Xiaodong He, Alex Smola, and Eduard H. Hovy. 2016. Hierarchical attention networks for document classification. In *North American Chapter of the Association for Computational Linguistics*.
- Yuhao Zhang, Victor Zhong, Danqi Chen, Gabor Angeli, and Christopher D. Manning. 2017. [Position-aware attention and supervised data improve slot filling](#). In *Proceedings of the 2017 Conference on Empirical Methods in Natural Language Processing (EMNLP 2017)*, pages 35–45.
- Zexuan Zhong and Danqi Chen. 2020. A frustratingly easy approach for entity and relation extraction. *ArXiv*, abs/2010.12812.
- Wenxuan Zhou and Muhao Chen. 2021. An improved baseline for sentence-level relation extraction. *arXiv preprint arXiv:2102.01373*.
- Wenxuan Zhou, Hongtao Lin, Bill Yuchen Lin, Ziqi Wang, Junyi Du, Leonardo Neves, and Xiang Ren. 2020. Nero: A neural rule grounding framework for label-efficient relation extraction. *The Web Conference ’20 in arXiv: Computation and Language*.

A Qualitative Examples

We provide qualitative examples for the behavior of our proposed semantic rule matcher (SRM) in Table 5.

We split the examples into 7 distinct blocks to facilitate the highlight of different behaviors.

(1) In the first block we highlight how the SRM is able to overlook superficial differences (i.e. *daughter* in text, *son* in rule) and assign a high similarity score. We want to emphasize that a traditional rule-based engine will not be able to match the rule on the given sentence.

(2) Similar to block **(1)**, the SRM is capable of understanding that *graduated from* is similar to *got his degree from*.

(3, 4) We use these blocks to highlight to give a similarity reference for the behavior we want to highlight next. Here, the SRM assigns a high score, as expected. We want to highlight that this rule, in this form, is generic enough to match relations such as neighborhood of, city in country, among others.

(5, 6, 7, 8) In these blocks we highlight a behavior that is present in the resulting model, despite never being trained for it. Here, we replace the typical named entities with their most fine-grained version: lexicalized entities. The underlying idea is to overcome the lack of expressiveness from the NER model and provide an additional source of signal, from the underlying entities. In block **(5)** we replace the location entity types with *Wynwood* and *Miami*.⁹ We want to highlight that this rule correctly obtains a higher similarity with the sentence in block **(5)** than with the sentence in block **(6)**, where the entities in the sentence are *Athens* and *Greece*. We remark that the underlying relation in **(5)** is, in the most specific form, *neighborhood of*, while in **(6)** it is *city in country*. Similarly, we provide the alternative rule and the corresponding similarities in blocks **(7, 8)**. We emphasize that the SRM component has not been explicitly trained for this behavior. We leverage this behavior during evaluation for the cases where both entity types were identical (e.g., [ne=location]+<appos [ne=location]+)

B Entity Types in the Training Dataset

We used the following entity type pairs when constructing our dataset consisting of

rule and sentence pairs: [(ORGANIZATION, ORGANIZATION), (ORGANIZATION, PERSON), (ORGANIZATION, COUNTRY), (ORGANIZATION, CITY), (ORGANIZATION, STATE_OR_PROVINCE), (ORGANIZATION, IDEOLOGY), (ORGANIZATION, LOCATION), (ORGANIZATION, URL), (ORGANIZATION, EMAIL), (PERSON, ORGANIZATION), (PERSON, CAUSE_OF_DEATH), (PERSON, NATIONALITY), (PERSON, COUNTRY), (PERSON, LOCATION), (PERSON, CITY), (PERSON, STATE_OR_PROVINCE), (PERSON, IDEOLOGY), (PERSON, CRIMINAL_CHARGE), (PERSON, RELIGION), (PERSON, EMAIL), (PERSON, MONEY), (TITLE, PERSON), (CITY, ORGANIZATION), (CITY, STATE_OR_PROVINCE), (PERSON, PERSON), (PERSON, TITLE), (PERSON, NUMBER), (COUNTRY, ORGANIZATION), (ORGANIZATION, COUNTRY), (NATIONALITY, PERSON), (PERSON, DATE), (COUNTRY, PERSON), (CITY, PERSON), (STATE_OR_PROVINCE, PERSON), (ORGANIZATION, DATE), (NUMBER, PERSON), (DATE, PERSON), (ORGANIZATION, NUMBER), (CAUSE_OF_DEATH, PERSON), (DATE, ORGANIZATION), (LOCATION, ORGANIZATION)].

C Entity Types Synonyms

In the training phase of the proposed Semantic Rule Matcher, we randomly replaced the entity types in the rules and in the sentences with synonyms, to encourage generalization beyond superficial clues from the entity types. We present the synonyms we used in Table 6.

D Paraphrasing Prompt

We show the prompt we used to generate paraphrases below. We dynamically set the number of paraphrases to generate based on the text length, ranging from 2 to 5. The intuition is that short sentences admit a lower number of paraphrases. We only keep the paraphrases where the entities of interest are preserved. Additionally, if the entities of interest appear more than one time in the paraphrase, we discard the resulting paraphrase. Following this process, we keep over 80% of the paraphrases that are generated.

Please generate a number of {how many} paraphrases for the following sentence. Please ensure the meaning and the message stays the same and

⁹Wynwood is a neighborhood in Miami.

| | | |
|---|-------------------|---|
| 1 | Sentence | Sofia Coppola , daughter of Francis Ford Coppola , is one of the few to succeed in doing so : her film” Lost in Translation” won her a screenplay Oscar |
| | Rule | [ne=person]+ >appos son >nmod_of [ne=person]+ |
| | Similarity | 0.83 |
| 2 | Sentence | John got his degree from Oxford . |
| | Rule | [ne=person]+ graduated from [ne=organization]+ |
| | Similarity | 0.82 |
| 3 | Sentence | John moved to SoHo , Manhattan . |
| | Rule | [ne=location]+ <appos [ne=location]+ |
| | Similarity | 0.68 |
| 4 | Sentence | John moved to Athens , Greece . |
| | Rule | [ne=location]+ <appos [ne=location]+ |
| | Similarity | 0.69 |
| 5 | Sentence | John moved to SoHo , Manhattan . |
| | Rule | [ne=Wynwood]+ <appos [ne=Miami]+ |
| | Similarity | 0.29 |
| 6 | Sentence | John moved to Athens , Greece . |
| | Rule | [ne=Wynwood]+ <appos [ne=Miami]+ |
| | Similarity | 0.21 |
| 7 | Sentence | John moved to SoHo , Manhattan . |
| | Rule | [ne=Berlin]+ <appos [ne=Germany]+ |
| | Similarity | 0.24 |
| 8 | Sentence | John moved to Athens , Greece . |
| | Rule | [ne=Berlin]+ <appos [ne=Germany]+ |
| | Similarity | 0.37 |

Table 5: Qualitative examples of our semantic rule matcher, split into 7 blocks to highlight different behaviors.

| Entity | Synonyms |
|-------------------|---|
| organization | org, company, firm, corporation, enterprise |
| date | a specific date |
| person | per, human, human being, individual |
| number | digits |
| title | designation, formal designation |
| duration | time period |
| misc | miscellaneous |
| country | nation, state, territory |
| location | place, area, geographic area, loc |
| cause_of_death | date of demise, cause of death, death cause, mortal cause |
| city | municipality, town, populated urban area |
| nationality | citizenship |
| ordinal | ranking |
| state_or_province | region, territorial division within a country |
| percent | percentage |
| money | currency |
| set | collection, group of items |
| ideology | doctrine, system of ideas and ideals |
| criminal_charge | accusation, formal allegation |
| time | period, time period |
| religion | belief, faith, spiritual belief, worshipper |
| url | web address |
| email | electronic mail |
| handle | username, personal identifier |

Table 6: Entity type synonyms used to augment the rules and sentences.

these two entities are preserved in your generations: "{entity 1}", "{entity 2}". Please be concise.

““

{text}

““

1.

E Pliability Experiment

We show the number of operations employed by each Expert in Table 7.

| | Operations | | |
|----------|------------|--------|--------|
| | ADD | MODIFY | DELETE |
| Expert 1 | 12 | 6 | 16 |
| Expert 2 | 12 | 3 | 28 |

Table 7: The number of operations performed by each expert during the intervention experiment.

F Hyperparameters

We experiment with multiple settings where we vary the learning rate, the projection dimensions, and the weight decay. This search involved under 20 runs. We show our hyperparameters in Table 8. We use the development partition of Few-Shot TA-CRED for early stopping.

G Hardware

We ran all our experiments on a system with A100 80 GB GPUs. We used approximately 3 days worth of a single A100 GPU time.

| | |
|----------------------------|-------|
| Rule Encoder LR | 3e-5 |
| Sentence Encoder LR | 1e-5 |
| Projections LR | 1e-4 |
| Logit Scale LR | 3e-4 |
| Train Batch Size | 512 |
| Gradient Clip Val | 5.0 |
| Dropout | 0.1 |
| Projection Dims | 384 |
| Weight Decay | 0.001 |

Table 8: The hyperparameters we used for training the SRM.