

Automatic AI Model Selection for Wireless Systems: Online Learning via Digital Twinning

Qiushuo Hou *Graduate Student Member, IEEE*, Matteo Zecchin *Member, IEEE*, Sangwoo Park *Member, IEEE*, Yunlong Cai *Senior Member, IEEE*, Guanding Yu *Senior Member, IEEE*, Kaushik Chowdhury *Fellow, IEEE*, and Osvaldo Simeone *Fellow, IEEE*

Abstract

In modern wireless network architectures, such as O-RAN, artificial intelligence (AI)-based applications are deployed at intelligent controllers to carry out functionalities like scheduling or power control. The AI “apps” are selected on the basis of contextual information such as network conditions, topology, traffic statistics, and design goals. The mapping between context and AI model parameters is ideally done in a zero-shot fashion via an automatic model selection (AMS) mapping that leverages only contextual information without requiring any current data. This paper introduces a general methodology for the online optimization of AMS mappings. Optimizing an AMS mapping is challenging, as it requires exposure to data collected from many different contexts. Therefore, if carried out online, this initial optimization phase would be extremely time consuming. A possible solution is to leverage a digital twin of the physical system to generate synthetic data from multiple simulated contexts. However, given that the simulator at the digital twin is imperfect, a direct use of simulated data for the optimization of the AMS mapping would yield poor performance when tested in the real system. This paper proposes a novel method for the online optimization of AMS mapping that corrects for the bias of the simulator by means of limited real data collected from the physical system. Experimental results for a graph neural network-based power control app demonstrate the significant advantages of the proposed approach.

The work of M. Zecchin and O. Simeone is supported by the European Union’s Horizon Europe project CENTRIC (101096379). The work of O. Simeone is also supported by an Open Fellowship of the EPSRC (EP/W024101/1), and by the EPSRC project (EP/X011852/1). K. Chowdhury is supported by the NSF CCRI RFDDataFactory project CNS #2120447.

Q. Hou, Y. Cai, and G. Yu are with the College of Information Science and Electronic Engineering, Zhejiang University, Hangzhou 310027, China (e-mail: {qshou, ylcai, yuguanding}@zju.edu.cn).

Matteo Zecchin, Sangwoo Park, and Osvaldo Simeone are with the King’s Communications, Learning & Information Processing (KCLIP) lab within the Centre for Intelligent Information Processing Systems (CIIPS), Department of Engineering, King’s College London, London WC2R 2LS, U.K. (e-mail: {matteo.l.zecchin, sangwoo.park, osvaldo.simeone}@kcl.ac.uk).

Kaushik Chowdhury is with the Institute for the Wireless Internet of Things, Northeastern University, Boston, MA, USA (e-mail: k.chowdhury@northeastern.edu).

Index Terms

Digital twin, automatic model selection, prediction-powered inference, resource allocation, zero-shot learning, O-RAN.

I. INTRODUCTION

A. Context, Motivation, and Overview

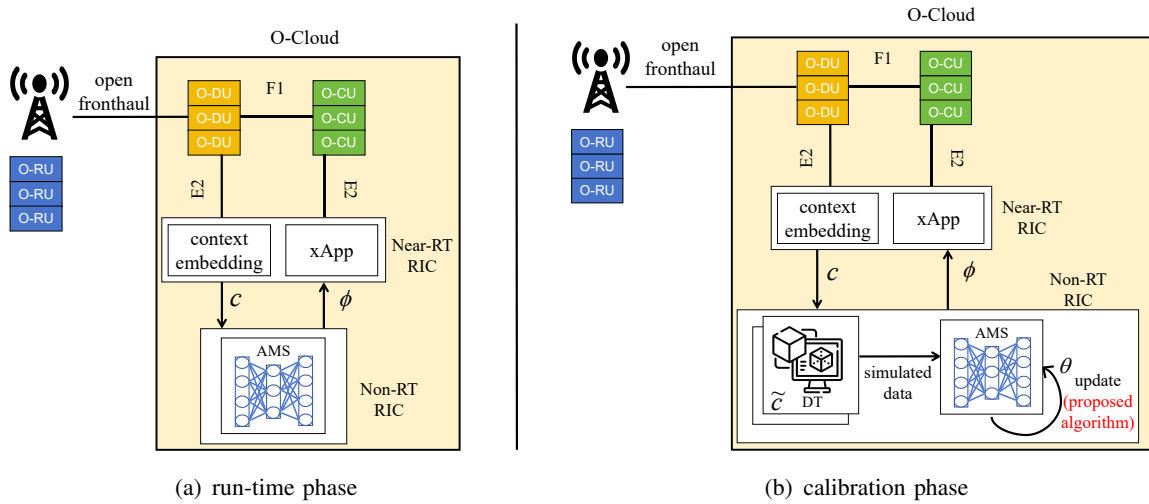


Fig. 1. As a use case of the proposed methodology, this figure illustrates the O-RAN architecture, in which a base station (BS), known as gNB, is disaggregated into a central unit (CU), a distributed unit (DU), and a radio unit (RU), where both CU and DU are deployed in the O-Cloud, and the RU is deployed at the BS. The near-real time (RT) radio intelligent controller (RIC) deploys AI-based xApps to carry out functionalities at different layers of the protocol stack. As shown in part (a), in the considered setting, an automatic model selection (AMS) mapping produces the parameters ϕ of an AI model based on context information from the BS. The AI model may be implemented at the near-RT RIC for an O-RAN system. The focus of this work is on the online optimization of the AMS mapping, which is carried out during a preliminary calibration phase. Specifically, as shown in part (b) for the O-RAN architecture, this work proposes to speed up online calibration via the use of a digital twin, which can produce synthetic data for new contexts. In the proposed scheme, for each real-world context c , the digital twin produces synthetic data from multiple simulated contexts, and the real-world data is leveraged to “rectify” the errors made by the simulator.

In a modern wireless network, artificial intelligence (AI)-based applications are expected to carry out an increasingly large number of tasks at different layers of the protocol stack, such as scheduling, power control, and handover [1], [29]–[31]. For example, as illustrated in Fig. 1, in an O-RAN architecture, software modules known as xApps are deployed at near-real time (RT) radio intelligent controllers to run functions on behalf of disaggregated base stations. The AI-based “apps”, such as the xApps in O-RAN, should be tailored to the current network operating conditions, such as topology, traffic load, and channel quality, so as to meet given target performance levels [24], [25].

The mapping between context and AI model is ideally done in a *zero-shot* fashion by leveraging only contextual information, without requiring current data. As illustrated in Fig. 1(a), this can be realized by means of an *automatic model selection* (AMS) function that takes as input the context variables c , producing as its output the parameters $\phi = g(c)$ of an AI model [5]–[7]. The AMS function $g(\cdot)$ may be a neural model, such as a transformer [44], while the model parameters ϕ may, for instance, be the weights of a graph neural network (GNN) used for power control (see Fig. 2) [29]–[32].

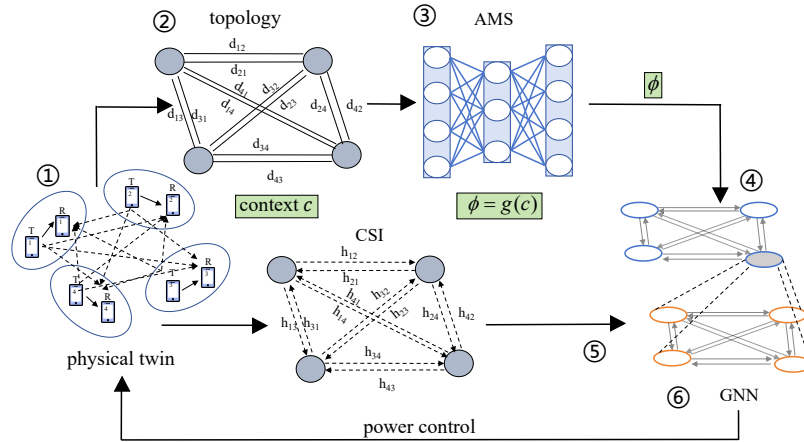


Fig. 2. Wireless resource allocation using AMS: Given the context c defining a network topology, the AMS mapping $\phi = g(c)$ returns a GNN model ϕ . The GNN model takes the network CSI as input, and it outputs the transmission powers for all the nodes.

However, before it can be deployed, the AMS mapping $g(\cdot)$ must be optimized during a preliminary phase, which is referred to as *calibration* in Fig. 1. This optimization phase generally requires collecting data from multiple contexts c from the physical system, so as to be able to extrapolate the mapping $\phi = g(c)$ for new contexts c . Indeed, the physical system would have to be exposed to many different network conditions, traffic statistics, and users' requests before the network operator can trust the AMS mapping to offer a reliable zero-shot recommendation of model parameters ϕ for a new context c . Therefore, if carried out online, the initial AMS-mapping calibration phase would be extremely time consuming.

A possible solution to speed up calibration of the AMS mapping is to leverage a *digital twin* (DT) of the physical system to simulate data from multiple contexts. This way, calibration can be carried out, in principle, without requiring extensive real-world data. Digital twinning has been recently proposed as a paradigm for the design and monitoring of wireless systems [16]–[21]. A key challenge in using DT-generated data is the inevitable real-to-sim gap caused by

the discrepancy between DT simulation and the ground-truth data-generating mechanism. As a result, a direct use of simulated data for the optimization of the AMS mapping may yield poor performance when tested in the real system [3], [20], [29].

This paper proposes a novel method that corrects for the bias of the digital-twin simulator by means of limited real data collected from the physical system over a sequence of physical contexts. As shown in Fig. 1(b), in the proposed calibration procedure, for each real-world context c , the digital twin produces synthetic data from multiple simulated contexts, and the real-world data is leveraged to “rectify” the errors made by the simulator [26], [27]. The goal of the proposed online optimization of the AMS mapping is to reduce the time required by the calibration phase to produce an effective AMS mapping.

B. Main Contributions

This paper proposes a novel DT-powered online calibration scheme for the optimization of an AMS mapping. As illustrated in Fig. 2, the AMS mapping implements a zero-shot adaptation of the parameters ϕ of an AI model on the basis of a context variable c that describes the task of interest. For example, as in Fig. 2, the context information c may encode the current interference graph of the wireless network, and the AI model may be a GNN that determines a power allocation policy.

A conventional online optimization of the AMS mapping, illustrated in Fig. 3, would require the collection of a large amount of data from the physical system in order to obtain information for a sufficiently large number of contexts. The proposed approach, depicted in Fig. 4, makes use of a simulator a DT in order to speed up the calibration process. The main focus of this work is addressing the inevitable mismatch between the synthetic data generated by the DT and the data that would have been generated in the same context by the real system. In order to overcome this challenge, we propose a novel online calibration strategy that leverages real data for the purpose of rectifying the bias caused by the real-to-sim discrepancy.

Our main contributions are as follows.

- We propose a novel *DT-powered online AMS calibration* strategy that leverages the presence of a DT in the cloud. In order to rectify the real-to-sim discrepancy between the DT simulator and the real-world data-generating distribution, we propose an optimization criterion that combines data from the current physical context and from multiple synthetic contexts. Specifically, inspired by the recently introduced statistical tool known as prediction-powered

inference (PPI) [26], [27], we use synthetic data from the current physical context to estimate the DT simulation error. The estimated error is used to correct the optimization criterion evaluated by the DT based on synthetic data.

- In order to tailor PPI to the problem of calibrating AMS mappings, we introduce a novel *adaptive* DT-powered online AMS calibration scheme that control the trade-off between bias and variance of the error-corrected optimization criterion.
- Extensive experimental results for the problem of GNN-based power control [30] demonstrate the advantage of the proposed methodology in terms of convergence time for the online calibration phase.

C. Related Work

Few-shot learning: Meta-learning [2] has been widely explored to adapt to dynamic wireless condition [3], [4], [29], [32], assuming the accessibility of current data. In [32], a modular meta-learning technique is proposed to accelerate the adaption by optimizing reusable modules. More recently, in-context learning via transformers was shown to provide an effective implementation for meta-learning in wireless systems [44].

Automatic AI model selection: Automatic AI model selection refers to methods that automatically select an AI model for a given dataset [5]. In [6], [7], AI models are automatically selected for a wireless sensor network.

Digital twinning: Digital twinning amounts to a virtual representation of a physical system that mirrors its physical attributes, processes, and dynamics. Digital twins support in what-if analysis [8], predictive simulations [9], and system optimization [10], [11]. Existing works in the communication area primarily focus on leveraging DT to optimize the network operation [10]–[15], [19]. For example, the authors of [10] have applied deep reinforcement learning (DRL) and transfer learning to propose a DT placement strategy; reference [11] introduced a sample-efficient beam pattern optimization based on DRL in a DT-based wireless system; and the work [12] proposed a resource scheduling method based on DRL and DT for unmanned aerial vehicle-assisted wireless systems. These works assume a perfect mirroring between physical system and the virtual representation.

In contrast, reference [22] formulated a joint optimization problem for the synchronization between the real and digital worlds in a mobile edge computing system, with the goal of

minimizing the average synchronization time; and the authors of [23] aimed at minimizing the overall transmission delay to ensure the synchronization of a digital twin-based wireless system.

D. Organization

The remainder of the paper is organized as follows. Section II presents a conventional AMS calibration strategy based only on real-world data. The proposed DT-powered AMS scheme and the improved adaptive version are respectively presented in Section III and Section IV. Section V describes the simulation setup, and Section VI illustrates the simulation results. Finally, Section VII concludes the paper.

II. AUTOMATIC AI MODEL SELECTION

In this section, we first define the objective of automatic AI model selection (AMS), and then we review a baseline algorithm for the optimization of AMS that uses only data collected at the physical system.

A. Automatic Model Selection

We study the problem of automatically selecting an AI model as a function of a context variable describing the task of interest. Formally, given a context variable c , the aim of AMS is to select an AI model described by a parameter vector ϕ . To this end, AMS implements a mapping

$$\phi = g(c) \tag{1}$$

between context c and model ϕ . The focus of this paper is the design of the AMS mapping in (1) using a data-driven methodology.

While our approach can be applied more broadly, we will use throughout the example illustrated in Fig. 2 for concreteness. In it, the context c represents the topology of a wireless network, and the AI model to be selected is a graph neural network (GNN). The GNN takes channel state information (CSI) of the wireless network as an input, and it outputs the transmission powers for the nodes in the network. The works [30], [31] assumed a GNN model that is designed to perform well across a range of typologies, while the papers [29], [32] demonstrated the performance advantage accrued by adapting the model using data from the current topology via meta-learning. In this work, we aim at automatically mapping context c , i.e., topology, to GNN

model ϕ using the AMS function (1) without requiring data from the current topology. In this sense, AMS implements a form of zero-shot meta-learning [34].

Given a context c at each time step, the performance of an AI model ϕ depends on a random vector $x \sim p(x|c)$, whose unknown distribution $p(x|c)$ is context-dependent. The vector x includes the inputs to the AI model, as well as possibly other variables such as feedback signals. For example, for the setting in Fig. 2, the vector x is a realization of the CSI across all the links in the network. We write as $\ell(x|\phi)$ the loss accrued by model ϕ for instance x , so that the average loss is given by

$$\mathbb{E}_{x \sim p(x|c)}[\ell(x|\phi)]. \quad (2)$$

Given that the distribution $p(x|c)$ is unknown, the average loss in (2) can be only estimated using realizations of the random vector $x \sim p(x|c)$. However, in this paper, we assume that, at deployment time, no data $x \sim p(x|c)$ is available for the current context c . Rather, a model ϕ is selected via the AMS mapping (1) based solely on the context variable c . Our goal is optimizing the AMS mapping (1) during an initial calibration phase, so as to ensure a small value for the per-context loss (2).

B. Calibrating the AMS Mapping

To enable the optimization of the AMS mapping, we adopt a function that is parameterized by a vector θ , i.e.,

$$\phi = g(c|\theta). \quad (3)$$

Calibration of the AMS mapping $g(\cdot|\theta)$ aims at producing a parameter vector θ such that the model $\phi = g(c|\theta)$ yields a small value for the per-context loss in (2). More precisely, writing as $p(c)$ the distribution of the context c , we are interested in minimizing the expected value of the per-context loss $\mathcal{L}(\phi|c)$ over the random context $c \sim p(c)$ as

$$\min_{\theta} \{L^{\text{PT}}(\theta) = \mathbb{E}_{c \sim p(c)} \mathbb{E}_{x \sim p(x|c)}[\ell(x|g(c|\theta))]\}. \quad (4)$$

The superscript ‘‘PT’’ in the expected loss (4) is used to emphasize that the loss $L^{\text{PT}}(\theta)$ is evaluated based on the real-world data-generating distribution $p(x|c)$, which pertains to physical twin (PT), i.e., to the real system.

During the calibration phase, at each discrete time step $t = 1, 2, \dots$, the system is faced with a context $c_t \sim p(c)$, drawn in an independent and identically distributed (i.i.d.) manner over index

t . By testing the current AMS model parameter θ_t , the system estimates the PT loss $L^{\text{PT}}(\theta_t)$ via the empirical average

$$\hat{L}^{\text{PT}}(\theta_t) = \frac{1}{N^{\text{PT}}} \sum_{n=1}^{N^{\text{PT}}} \ell(x_{n,t} | g(c_t | \theta_t)) \quad (5)$$

over i.i.d. realizations $\{x_{n,t}\}_{n=1}^{N^{\text{PT}}}$ from the distribution $p(x|c)$. For example, in the setting of Fig. 3, the estimate (5) is obtained by testing the current power-allocation GNN $\phi_t = g(c_t | \theta_t)$ at N^{PT} different CSI realizations $\{x_{n,t}\}_{n=1}^{N^{\text{PT}}}$. Note that, while the empirical loss function $\hat{L}^{\text{PT}}(\cdot)$ itself depends on time index t , we omit the subscript t to avoid clutter. Furthermore, the estimate (5) is unbiased, i.e.,

$$\mathbb{E}[\hat{L}^{\text{PT}}(\theta_t)] = L^{\text{PT}}(\theta_t), \quad (6)$$

where the expectation is taken over the data $\{x_{n,t}\}_{n=1}^{N^{\text{PT}}} \stackrel{\text{i.i.d.}}{\sim} p(x|c_t)$ as well as the context $c_t \sim p(c)$.

Apart from the empirical loss, we assume that the physical system can also obtain the gradient $\nabla \hat{L}^{\text{PT}}(\theta_t)$. This can be estimated, for instance, using a perturbation-based approach [35]. With this information, the AMS parameter vector θ_t can be updated in an online fashion as

$$\theta_{t+1} = \theta_t - \gamma_t \nabla \hat{L}^{\text{PT}}(\theta_t), \quad (7)$$

where $\gamma_t > 0$ is a step size at time t . This approach is illustrated in Fig. 3.

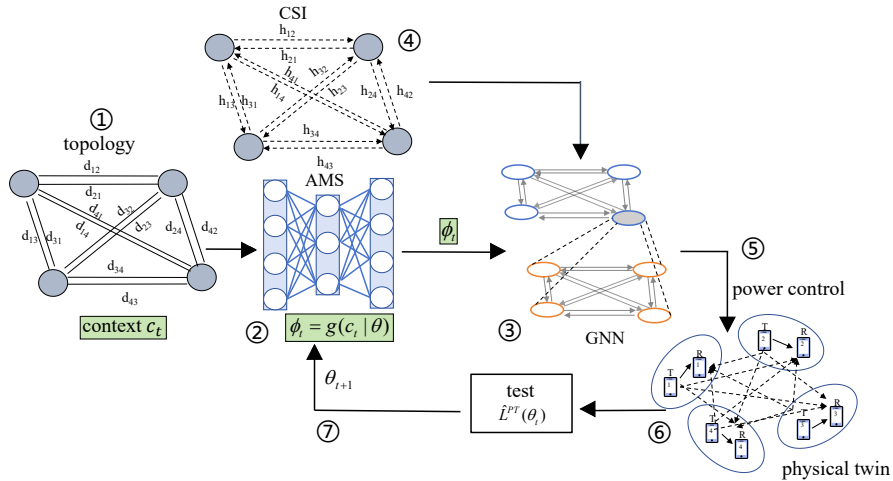


Fig. 3. Conventional AMS calibration based on online learning: At each time step t , the physical twin (PT) is faced with a context $c_t \sim p(c)$, and it tests the current AMS output model $\phi_t = g(c_t | \theta_t)$ over N^{PT} channel realizations, producing the estimate (5). Using online gradient descent, the AMS model parameter vector is updated using (7).

The conventional calibration scheme (7) has the important drawback that testing the AMS

mapping under different contexts c_t is time consuming, limiting the number N^{PT} of data points used in (5) and the overall number of steps t that can be allocated to AMS calibration. The proposed approach, to be introduced in the next section, tackles this problem by resorting synthetic data produced by a simulator in a DT.

III. DT-POWERED AUTOMATIC AI MODEL SELECTION

In this section, we introduce the proposed AMS calibration scheme that leverages a DT to accelerate the convergence to a good approximation of the optimization problem (4). To this end, we first describe *naïve DT-powered AMS* (N-DT-AMS), a baseline approach that treats synthetic data on par with the real-world data produced by the PT. Then, we introduce the proposed *DT-powered AMS* (DT-AMS), which uses real-world data to correct the bias caused by the discrepancy between the DT simulator and the real-world data generating distribution.

A. Digital Twin

The DT is a simulator that, given a context variable c , can generate data at some *fidelity* level $f \in \{1, \dots, F^{\text{max}}\}$. At fidelity level f , the synthetic data \tilde{x} generated by the DT follows the distribution $p(\cdot|c, f)$, which is an approximation of the true context-dependent distribution $p(\cdot|c)$. The quality of the approximation $p(\tilde{x}|c, f)$ improves as the fidelity f increases, but a larger fidelity f entails a larger simulation cost S_f [38]. Accordingly, the simulation costs are ordered as

$$S_1 \leq S_2 \leq \dots \leq S_{F^{\text{max}}}. \quad (8)$$

At each time step $t = 1, 2, \dots$ of the calibration phase, the DT simulates the system for a number M^{DT} context variables $\{c_{m,t}\}_{m=1}^{M^{\text{DT}}}$. Specifically, given a fidelity level f , the N^{DT} data points generated at each context $c_{m,t}$ are distributed as

$$\tilde{x}_{n,m,t} \stackrel{\text{i.i.d.}}{\sim} p(\tilde{x}|c_{m,t}, f) \quad (9)$$

for $n = 1, \dots, N^{\text{DT}}$. Assuming a total simulation budget given by S^{DT} , the number of context variables M^{DT} , the number of data points per context N^{DT} , and the fidelity level f must satisfy the inequality

$$S_f M^{\text{DT}} N^{\text{DT}} \leq S^{\text{DT}}. \quad (10)$$

In this regard, increasing the fidelity f and thus the cost S_f , reduces the discrepancy between DT model $p(\cdot|c, f)$ and true distribution $p(\cdot|c)$, but at the expense of reducing the overall number $M^{\text{DT}}N^{\text{DT}}$ of synthetic data points that can be generated by the DT. We assume that the fidelity level f is kept constant for the entire calibration process.

Using synthetic data, the DT can estimate the PT loss $L^{\text{DT}}(\theta_t)$ at the current AMS parameter vector θ_t as

$$\hat{L}^{\text{DT}}(\theta_t) = \frac{1}{M^{\text{DT}}} \sum_{m=1}^{M^{\text{DT}}} \frac{1}{N^{\text{DT}}} \sum_{n=1}^{N^{\text{DT}}} \ell(\tilde{x}_{m,n,t} | g(c_{m,t} | \theta_t)). \quad (11)$$

If the context variables $\{c_{m,t}\}_{m=1}^{M^{\text{DT}}}$ are drawn i.i.d. from the true context distribution $p(c)$, the average over the DT estimate (11) is

$$\mathbb{E}[\hat{L}^{\text{DT}}(\theta_t)] = L^{\text{DT}}(\theta_t), \quad (12)$$

where we have defined the expected DT loss as

$$L^{\text{DT}}(\theta) = \mathbb{E}_{c \sim p(c), \tilde{x} \sim p(\tilde{x}|c, f)}[\ell(\tilde{x} | g(c | \theta))]. \quad (13)$$

Note that the assumption that the DT is aware of the context distribution $p(c)$ is well justified in settings, such as in Fig. 2, in which the context distribution reflects macroscopic long-term trends such as the spatial density of devices [30], [31], [33]. Importantly, due to the discrepancy between DT distribution $p(\cdot|c, f)$ and the real-world distribution $p(\cdot|c)$, the expected DT loss (13) is generally different from the PT loss $L^{\text{PT}}(\theta)$ in (4), i.e.,

$$L^{\text{DT}}(\theta) \neq L^{\text{PT}}(\theta), \quad (14)$$

and thus the DT loss in (11) is a biased estimate of the expected PT loss (4).

B. Naïve DT-Powered AMS

The simplest way for the DT to use both synthetic and real-world data is to weigh both sources of data equally, that is, by treating the synthetic data as if it was genuine real-world data. Using the empirical losses (5) and (11), this yields to the estimate

$$L^{\text{N-DT-AMS}}(\theta_t) = \frac{N^{\text{PT}}}{N^{\text{PT}} + M^{\text{DT}}N^{\text{DT}}} \hat{L}^{\text{PT}}(\theta_t) + \frac{M^{\text{DT}}N^{\text{DT}}}{N^{\text{PT}} + M^{\text{DT}}N^{\text{DT}}} \hat{L}^{\text{DT}}(\theta_t) \quad (15)$$

at time step t . The estimate in (15) is biased with respect to the PT loss in (4), although it may have a smaller variance as compared to the estimate $\hat{L}^{\text{PT}}(\theta_t)$ in (5). Based on (15), N-DT-AMS updates the AMS model parameter vector as

$$\theta_{t+1} = \theta_t - \gamma_t \nabla L^{\text{N-DT-AMS}}(\theta_t), \quad (16)$$

where $\gamma_t > 0$ is the step size at time t , and $\nabla L^{\text{N-DT-AMS}}(\theta_t)$ is the gradient of loss $L^{\text{N-DT-AMS}}(\theta_t)$.

C. DT-Powered AMS

The N-DT-AMS loss estimate (15) can be significantly biased due to the discrepancy between the DT distribution $p(\cdot|c, f)$ and the real-world distribution $p(\cdot|c)$. Based on this observation, the proposed DT-AMS scheme uses synthetic data not only to augment the available data as in N-DT-AMS, but also to quantify, and partially correct, the mismatch between distributions $p(\cdot|c, f)$ and $p(\cdot|c)$.

The key idea is that the DT uses data simulated for the current context c_t in order to evaluate the bias caused by simulation errors. To this end, at each time step t of the calibration phase, the PT informs the DT about the current context variable c_t . With this information, the DT simulates data $\{\tilde{x}_{n,t}\}_{n=1}^{N^{\text{DT}}}$ with $\tilde{x}_{n,t} \stackrel{\text{i.i.d.}}{\sim} p(\tilde{x}|c_t, f)$ under the current context c_t for the selected fidelity level f . If the simulation budget in (10) allows, the $M^{\text{DT}} - 1$ remaining contexts $\{c_{m,t}\}_{m=1}^{M^{\text{DT}}-1}$ are chosen i.i.d. from distribution $p(c)$ as in N-DT-AMS. Using the synthetic data $\{\tilde{x}_{n,t}\}_{n=1}^{N^{\text{DT}}}$ generated for the current context c_t , the DT estimates the average loss as

$$\hat{L}^{\text{DT} \rightarrow \text{PT}}(\theta_t) = \frac{1}{N^{\text{DT}}} \sum_{n=1}^{N^{\text{DT}}} \ell(\tilde{x}_{n,t} | g(c_t | \theta_t)). \quad (17)$$

This estimate can be directly compared with the estimate $\hat{L}^{\text{PT}}(\theta_t)$ in (5), which is obtained from real-world data under the same context c_t . Accordingly, the DT estimates the bias caused by the simulator as the difference

$$\Delta \hat{L}^{\text{DT} \rightarrow \text{PT}}(\theta_t) = \hat{L}^{\text{PT}}(\theta_t) - \hat{L}^{\text{DT} \rightarrow \text{PT}}(\theta_t). \quad (18)$$

Having estimated the DT-to-PT bias in (18), the DT adds this correction to the loss $\hat{L}^{\text{DT}}(\theta_t)$ estimated using the remaining simulation budget as

$$L^{\text{DT-AMS}}(\theta_t) = \hat{L}^{\text{DT}}(\theta_t) + \Delta \hat{L}^{\text{DT} \rightarrow \text{PT}}(\theta_t), \quad (19)$$

where $\hat{L}^{\text{DT}}(\theta_t)$ is the estimate obtained using the $M^{\text{DT}} - 1$ contexts $\{c_{m,t}\}_{m=1}^{M^{\text{DT}}-1}$ in a manner similar to (11), i.e.,

$$\hat{L}^{\text{DT}}(\theta_t) := \frac{1}{M^{\text{DT}} - 1} \sum_{m=1}^{M^{\text{DT}}-1} \frac{1}{N^{\text{DT}}} \sum_{n=1}^{N^{\text{DT}}} \ell(\tilde{x}_{m,n,t} | g(c_{m,t} | \theta_t)). \quad (20)$$

The DT-AMS empirical loss $L^{\text{DT-AMS}}(\theta_t)$ in (19) is an unbiased estimate of the PT loss $L^{\text{PT}}(\theta_t)$, since the expectation over the context $c \sim p(c)$ and over real and synthetic data yields the equality

$$\mathbb{E}[L^{\text{DT-AMS}}(\theta_t)] = L^{\text{DT}}(\theta_t) + L^{\text{PT}}(\theta_t) - L^{\text{DT}}(\theta_t) = L^{\text{PT}}(\theta_t). \quad (21)$$

In fact, by construction, the expected value of the estimated loss (17) equals $\mathbb{E}[\hat{L}^{\text{DT} \rightarrow \text{PT}}(\theta_t)] = L^{\text{DT}}(\theta_t)$.

DT-AMS applies online gradient descent on the loss (19) to update the AMS model parameter vector as

$$\theta_{t+1} = \theta_t - \gamma_t \nabla L^{\text{DT-AMS}}(\theta_t), \quad (22)$$

where $\gamma_t > 0$ is the step size at time t . The overall approach is illustrated in Fig. 4.

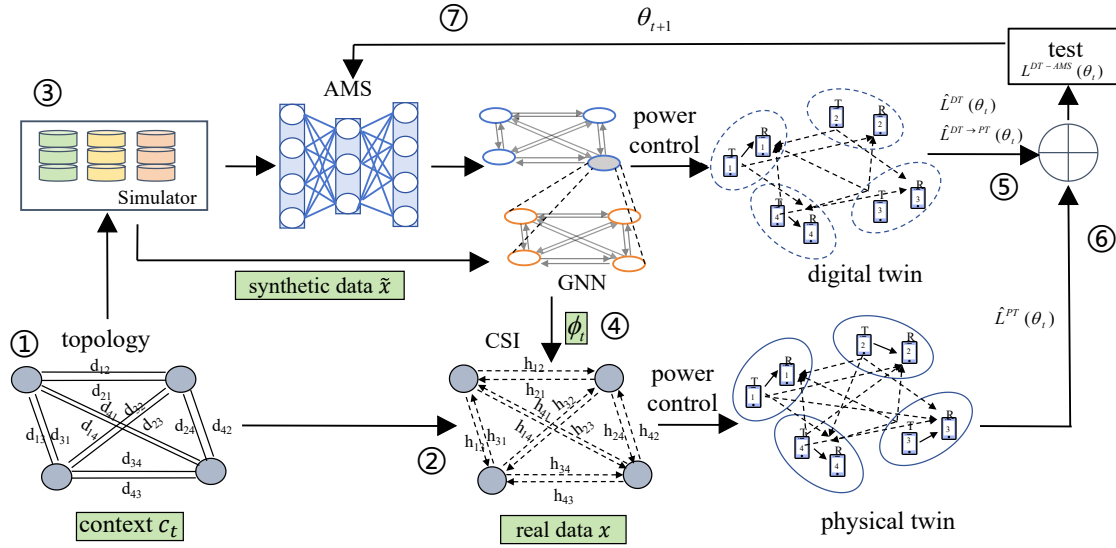


Fig. 4. DT-powered AMS calibration based on online learning: At each time step t , the PT is faced with a context $c_t \sim p(c)$, and it collects corresponding real-world data $x_{n,t} \sim p(x|c_t)$ for $n = 1, \dots, N^{\text{PT}}$. The PT sends the current context c_t to the DT, which generates corresponding simulated data $\tilde{x}_{n,t} \sim p(\tilde{x}|c_t, f)$ for $n = 1, \dots, N^{\text{DT}}$, as well as data $\tilde{x}_{m,n,t} \sim p(\tilde{x}|c, f)$ for $n = 1, \dots, N^{\text{DT}}$ under $M^{\text{DT}} - 1$ independent context variables $c_{m,t} \sim p(c)$ for $m = 1, \dots, M^{\text{DT}} - 1$. The DT uses the synthetic data points to evaluate the empirical losses (17) and (20). Upon reception of the model ϕ_t from the DT, the PT runs it over N^{PT} channel realizations, producing the loss estimate (5). Using online gradient descent, the AMS model parameter vector is updated using (22).

We note that the DT-AMS loss (19) is inspired by prediction-powered inference (PPI) [26],

[27]. PPI addresses an offline estimation problem under a convex loss, for which (asymptotic) theoretical properties are established in [26], [27]. In contrast, DT-AMS operates online, and it incorporates aspects specific to the considered DT-based scenarios such as the fidelity of the simulation. Unlike [26], [27], we allow for arbitrary losses, hence supporting any AMS function in (1), and we do not address asymptotic theoretical properties.

IV. ADAPTIVE DT-POWERED AUTOMATIC AI MODEL SELECTION

In this section, we introduce an improved version of DT-AMS, which judiciously adapts the use of the synthetic data generated by the DT to the quality of the simulation.

A. Adaptive DT-Powered AMS

As discussed in the previous section, the empirical loss (19) adopted by DT-AMS is an unbiased estimate of the PT loss (4). However, enforcing unbiasedness may be counterproductive, particularly in the early stages of calibration. In fact, it was observed that, at the first iterations of stochastic gradient-based optimization, it can be advantageous to trade some bias for a lower variance of the gradients [41], [42]. The proposed approach introduces new hyperparameters in the loss (19) with the goal of optimally controlling the trade-off between bias and variance.

Specifically, at each time step t , adaptive DT-AMS (A-DT-AMS) adopts the loss

$$L^{\text{A-DT-AMS}}(\theta_t) = \lambda_t \hat{L}^{\text{DT}}(\theta_t) + \left(\hat{L}^{\text{PT}}(\theta_t) - \mu_t \hat{L}^{\text{DT} \rightarrow \text{PT}}(\theta_t) \right), \quad (23)$$

with hyperparameters $\lambda_t \geq 0$ and $\mu_t \geq 0$. The DT-AMS loss (19) is recovered with $\lambda_t = \mu_t = 1$, while the baseline PT-only scheme (5) is obtained with $\lambda_t = \mu_t = 0$.

A-DT-AMS applies online gradient descent using the loss (23) to update the AMS model parameter vector as

$$\theta_{t+1} = \theta_t - \gamma_t \nabla L^{\text{A-DT-AMS}}(\theta_t), \quad (24)$$

where $\gamma_t > 0$ is the step size at time t . As discussed in the next subsection, the hyperparameters λ_t and μ_t are automatically tuned as a function of time step t with the aim of minimizing the mean squared error (MSE) in the estimate of the loss $L^{\text{PT}}(\theta)$.

B. Adapting the Hyperparameters

The MSE of the loss (23) with respect to the PT loss (4) can be evaluated as

$$\text{MSE}(\theta_t) = \mathbb{E} \left[\left(L^{\text{A-DT-AMS}}(\theta_t) - L^{\text{PT}}(\theta_t) \right)^2 \right]. \quad (25)$$

We propose to tune the hyperparameters λ_t and μ_t so as to minimize the MSE in (25), i.e.,

$$\{\lambda_t^*, \mu_t^*\} = \underset{\{\lambda_t, \mu_t\}}{\text{argmin}} \text{MSE}(\theta_t). \quad (26)$$

As shown in Appendix A, for any AMS model parameters θ_t , we have an explicit solution for the minimization (26) as

$$\begin{aligned} \lambda_t^* &= \frac{C^{\text{DT} \rightarrow \text{PT}}(\theta_t) L^{\text{DT}}(\theta_t)^2}{L^{\text{DT}}(\theta_t)^2 (V^{\text{DT} \rightarrow \text{PT}}(\theta_t) + V^{\text{DT}}(\theta_t)) + V^{\text{DT} \rightarrow \text{PT}}(\theta_t) V^{\text{DT}}(\theta_t)}, \\ \mu_t^* &= \frac{C^{\text{DT} \rightarrow \text{PT}}(\theta_t) + \lambda_t^* L^{\text{DT}}(\theta_t)^2}{V^{\text{DT} \rightarrow \text{PT}}(\theta_t) + L^{\text{DT}}(\theta_t)^2}, \end{aligned} \quad (27)$$

where $V^{\text{PT}}(\theta_t)$, $V^{\text{DT}}(\theta_t)$, and $V^{\text{DT} \rightarrow \text{PT}}(\theta_t)$ are defined as the variance of the estimates $\hat{L}^{\text{PT}}(\theta_t)$ in (5), $\hat{L}^{\text{DT}}(\theta_t)$ in (20), and $\hat{L}^{\text{DT} \rightarrow \text{PT}}(\theta_t)$ in (17), respectively, i.e.,

$$V^{\text{PT}}(\theta_t) = \mathbb{E}[(\hat{L}^{\text{PT}}(\theta_t) - L^{\text{PT}}(\theta_t))^2], \quad (28)$$

$$V^{\text{DT}}(\theta_t) = \mathbb{E}[(\hat{L}^{\text{DT}}(\theta_t) - L^{\text{DT}}(\theta_t))^2], \quad (29)$$

$$V^{\text{DT} \rightarrow \text{PT}}(\theta_t) = \mathbb{E}[(\hat{L}^{\text{DT} \rightarrow \text{PT}}(\theta_t) - L^{\text{DT}}(\theta_t))^2]; \quad (30)$$

while $C^{\text{DT} \rightarrow \text{PT}}(\theta_t)$ is defined as the covariance between the estimates $\hat{L}^{\text{PT}}(\theta_t)$ and $\hat{L}^{\text{DT} \rightarrow \text{PT}}(\theta_t)$, i.e.,

$$C^{\text{DT} \rightarrow \text{PT}}(\theta_t) = \mathbb{E} \left[\left(\hat{L}^{\text{PT}}(\theta_t) - L^{\text{PT}}(\theta_t) \right) \left(\hat{L}^{\text{DT} \rightarrow \text{PT}}(\theta_t) - L^{\text{DT}}(\theta_t) \right) \right]. \quad (31)$$

C. Online Estimation of the Hyperparameters

The variances and covariance in (28)-(30), which are required to evaluate the optimal hyperparameters in (27), cannot be computed, as one does not have access to the true underlying distribution. To obviate this problem, in this subsection, we propose a practical moving-average estimation scheme to obtain the values of $\hat{\lambda}_t^*$ and $\hat{\mu}_t^*$.

Specifically, we estimate $V^{\text{DT}}(\theta_t)$, $V^{\text{DT} \rightarrow \text{PT}}(\theta_t)$, and $C^{\text{DT} \rightarrow \text{PT}}(\theta_t)$ via the moving averages

$$\hat{V}^{\text{DT}}(\theta_t) = \frac{1}{W-1} \sum_{t'=t-W+1}^t \left(\hat{L}^{\text{DT}}(\theta_{t'}) - \hat{L}^{\text{DT}}(\theta_t) \right)^2, \quad (32a)$$

$$\hat{V}^{\text{DT} \rightarrow \text{PT}}(\theta_t) = \frac{1}{W-1} \sum_{t'=t-W+1}^t \left(\hat{L}^{\text{DT} \rightarrow \text{PT}}(\theta_{t'}) - \hat{L}^{\text{DT} \rightarrow \text{PT}}(\theta_t) \right)^2, \quad (32b)$$

$$\hat{C}^{\text{DT} \rightarrow \text{PT}}(\theta_t) = \frac{1}{W-1} \sum_{t'=t-W+1}^t \left(\hat{L}^{\text{PT}}(\theta_{t'}) - \hat{L}^{\text{PT}}(\theta_t) \right) \left(\hat{L}^{\text{DT} \rightarrow \text{PT}}(\theta_{t'}) - \hat{L}^{\text{DT} \rightarrow \text{PT}}(\theta_t) \right), \quad (32c)$$

over the previous W time steps. In (32), the quantities $\hat{L}^{\text{DT}}(\theta_t)$, $\hat{L}^{\text{DT} \rightarrow \text{PT}}(\theta_t)$, and $\hat{L}^{\text{PT}}(\theta_t)$ represent the average of the estimates $\hat{L}^{\text{DT}}(\theta_t)$, $\hat{L}^{\text{DT} \rightarrow \text{PT}}(\theta_t)$, and $\hat{L}^{\text{PT}}(\theta_t)$, respectively, over the past W time steps, i.e.,

$$\hat{L}^{\text{DT}}(\theta_t) = \frac{1}{W} \sum_{t''=t-W+1}^t \hat{L}^{\text{DT}}(\theta_{t''}), \quad (33a)$$

$$\hat{L}^{\text{DT} \rightarrow \text{PT}}(\theta_t) = \frac{1}{W} \sum_{t''=t-W+1}^t \hat{L}^{\text{DT} \rightarrow \text{PT}}(\theta_{t''}), \quad (33b)$$

$$\hat{L}^{\text{PT}}(\theta_t) = \frac{1}{W} \sum_{t''=t-W+1}^t \hat{L}^{\text{PT}}(\theta_{t''}). \quad (33c)$$

Using the estimates $\hat{V}^{\text{DT}}(\theta_t)$, $\hat{V}^{\text{DT} \rightarrow \text{PT}}(\theta_t)$, $\hat{C}^{\text{DT} \rightarrow \text{PT}}(\theta_t)$, and $\hat{L}^{\text{DT}}(\theta_t)$ in lieu of $V^{\text{DT}}(\theta_t)$, $V^{\text{DT} \rightarrow \text{PT}}(\theta_t)$, $C^{\text{DT} \rightarrow \text{PT}}(\theta_t)$, and $L^{\text{DT}}(\theta_t)$, respectively, we estimate the optimal parameters $\hat{\lambda}_t^*$ and $\hat{\mu}_t^*$ based on (27). In order to avoid transient issues, in practice, we propose to fix the hyperparameters λ_t and μ_t to some set values λ_0 and μ_0 for the first W time instants. The proposed A-DT-AMS scheme is summarized in Algorithm 1.

V. SIMULATION SETUP

In this section, we describe the setting used in the next section to compare different AMS strategies. We focus on the setup illustrated in Fig. 5, in which an AI app based on a GNN is used to implement a power allocation strategy in a network consisting of multiple inferring links. We first describe the setup and then cover implementation aspects such as the neural model used for the AMS mapping.

A. Setup

1) *Scenario*: As depicted in Fig. 5, the physical twin consists of a network with K single-antenna transceiver pairs $\{(T_t^k, R_t^k)\}_{k=1}^K$ located in a square deployment area with sides of length A . We denote as T_t^k and R_t^k the positions of the k -th transmitter and receiver, respectively, at each time step t of the calibration phase. At time step t , the position T_t^k of the k -th transmitter is randomly and uniformly selected in the deployment area, while the corresponding receiver's position R_t^k is randomly and uniformly chosen within a two-dimensional torus centered at T_t^k with radii d_{\min} and d_{\max} .

Given the position $\{(T_t^k, R_t^k)\}_{k=1}^K$, the pair-wise distances between each transmitter and all the receivers at each time step t are collected in the asymmetric distance matrix $\mathbf{D}_t \in \mathbb{R}^{K \times K}$, in which each (j, k) -th entry $d_t^{j,k}$ is the distance between the j -th transmitter and the k -th receiver at time step t . We denote as $p(\mathbf{D})$ the distribution over the distance matrix \mathbf{D} produced by the described distribution of the transmitters and receivers. The distance matrix \mathbf{D}_t describes the context c_t .

Given the distance matrix \mathbf{D}_t , the complex channel coefficient $h_t^{j,k} \in \mathbb{C}$ between the transmitter j and the receiver k at time step t accounts for large-scale fading and small-scale fading as [36], [37]

$$h_t^{j,k} = 10^{-L(d_t^{j,k})/20} \sqrt{\eta \sigma_s^2} \cdot \left(\sqrt{\frac{\kappa}{\kappa + 1}} e^{j\alpha_{j,k}} + \sqrt{\frac{1}{\kappa + 1}} \hat{h}_{j,k} \right), \quad (34)$$

where $L(d_t^{j,k})$ is the path-loss at distance $d_t^{j,k}$ [36]; η is the transmit antenna power gain; σ_s^2 is the shadowing power; $\alpha_{j,k} \sim \mathcal{U}[-\pi, \pi]$ is the random phase of the line-of-sight (LoS) component; $\hat{h}_{j,k} \sim \mathcal{CN}(0, 1)$ models Rayleigh fading for the non line-of-sight (NLoS) component; and κ is the Rician factor determining the strength of the LoS component as compared to the NLoS component. We denote as $\mathbf{H}_t \sim p(\mathbf{H}|\mathbf{D})$ the overall CSI matrix which has (j, k) -th element given by (34), i.e., $[\mathbf{H}_t]_{j,k} = h_t^{j,k}$, with $p(\mathbf{H}|\mathbf{D})$ being the conditional distribution over the CSI matrix given the distance matrix \mathbf{D} .

2) *Data Generation*: At each time step t , the system collects N^{PT} CSI matrices $\{\mathbf{H}_{n,t}\}_{n=1}^{N^{\text{PT}}} \stackrel{\text{i.i.d.}}{\sim} p(\mathbf{H}|\mathbf{D}_t)$ given the current distance matrix $\mathbf{D}_t \sim p(\mathbf{D})$. This corresponds to the data points $\{x_{n,t}\}_{n=1}^{N^{\text{PT}}}$ described in the text. Having received information about the context \mathbf{D}_t , the DT generates data for context \mathbf{D}_t at a fidelity level dictated by the degree to which the topology modelled by the simulator. Specifically, given a fidelity level $f \in (0, 1)$, the DT simulates a topology characterized by a mismatched distance matrix containing a fraction f of the links as

compared to the original distance matrix \mathbf{D} . To model this real-to-sim discrepancy, each link of the $K(K - 1)$ links is dropped independently with probability $1 - f$. The resulting simulation cost S_f is quantified as

$$S_f = K(K - 1)fS, \quad (35)$$

where S denotes the cost of simulating one edge of the network, and $K(K - 1)f$ is the number of edges.

Given the distance matrix \mathbf{D}_t and the fidelity level f , the DT generates CSI matrices $\tilde{\mathbf{H}}_t \in \mathbb{C}^{K \times K} \sim p(\tilde{\mathbf{H}}|\mathbf{D}_t, f)$, where the distribution $p(\tilde{\mathbf{H}}|\mathbf{D}_t, f)$ of the simulated channel (34) depends on the mismatched distance matrix $\tilde{\mathbf{D}}_t$, i.e., $p(\tilde{\mathbf{H}}|\mathbf{D}_t, f) = p(\tilde{\mathbf{H}}|\tilde{\mathbf{D}}_t)$. Accordingly, the synthetic channel matrix $\tilde{\mathbf{H}}$ contains non-zero elements only for a fraction f of links. Furthermore, the non-zero channels are generated using model (34) with possibly mismatched parameters as compared to the true channels.

At each time step t , with the remaining budget, DT explores M^{DT} different distance matrices, i.e., $\mathbf{D}_{m,t} \stackrel{\text{i.i.d.}}{\sim} p(\mathbf{D})$ for $m = 1, \dots, M^{\text{DT}}$, each with $K(K - 1)f$ links, from which it generates the corresponding CSI matrices $\tilde{\mathbf{H}}_{m,n,t} \sim p(\tilde{\mathbf{H}}|\mathbf{D}_{m,t}, f)$ for $n = 1, \dots, N^{\text{DT}}$.

TABLE I
CORRESPONDENCE BETWEEN VARIABLES IN MAIN TEXT AND EXPERIMENT

Variable in Main Text	Variable in Experiment
Context variable: c_t	Distance matrix \mathbf{D}_t
Real-world data from c_t : $x_{n,t}$	CSI matrix $\mathbf{H}_{n,t}$
Simulated data from c_t : $\tilde{x}_{n,t}$	CSI matrix $\tilde{\mathbf{H}}_{n,t}$
Simulated context variables: $c_{m,t}$	Distance matrix $\mathbf{D}_{m,t}$
Simulated data from $c_{m,t}$: $\tilde{x}_{m,n,t}$	CSI matrix $\tilde{\mathbf{H}}_{m,n,t}$

In summary, the corresponding relationship between the variables in the main text and the simulation under the study is summarized in Table I. Specific system parameters in our simulation scenario and the data generation parameters are summarized in Table II and Table III, respectively.

B. AMS Mapping and Graph Neural Network-Based Power Control

Given a context provided by the distance matrix \mathbf{D}_t , the AMS mapping aims at determining an AI app that can maximize the sum-rate of the K users by controlling the transmission powers as

TABLE II
SYSTEM PARAMETERS

Parameter	Value
Number of transceiver pairs K	4
Deployment side length A	100 m
Transceiver pairs distance d_{\min} and d_{\max}	20 m and 65 m
Path-loss $L(d_t^{j,k})$	$148.1 + 37.6 \log_2(d_t^{j,k})$
Standard deviation of log-normal shadowing σ_s	8 dB
Transmit antenna gain η	9 dBi
Rician factor κ	0 or 5
Noise power σ^2	30 dBm
Maximum transmission power P_{\max}	1 W

TABLE III
DATA GENERATION PARAMETERS AT TIME STEP t

Parameter	Value
Number of CSI matrices at PT N^{PT}	10
Fidelity level at DT f	0.4
Number of simulated CSI matrices at DT N^{DT}	20
Number of context variables at DT M^{DT}	24

a function of the CSI. To this end, the AMS function maps distance matrix \mathbf{D} to the parameters ϕ of the power-controlling GNN. The GNN follows the wireless communication graph convolution network (WCGCN) architecture in [30]. The GNN takes as input the $K \times K$ CSI matrix \mathbf{H} to output a $K \times 1$ transmit power vector P . The loss function in (2) is specified as the negative sum-rate, i.e.,

$$\ell(\mathbf{H}|\phi) = - \sum_{k=1}^K \log_2 \left(1 + \frac{|h_{k,k}P_k|^2}{\sum_{j \neq k}^K |h_{j,k}P_k|^2 + \sigma^2} \right), \quad (36)$$

where $h_{j,k}$ is the (j, k) -th entry of matrix \mathbf{H} and $P_k \geq 0$ is the k -th entry of vector P . Further details on the WCGCN employed in this work can be found in Appendix B.

For the AMS mapping $\phi = g(\cdot|\theta)$, we adopt a multi-layer perceptron (MLP) with two hidden layers equipped with 32 hidden neurons and exponential linear unit (ELU) as the activation function. The AMS function takes as input a vector of size $K^2 \times 1$, obtained as the vectorization of distance matrix \mathbf{D} , to output a vector of size $N_{\text{GNN}} \times 1$, where N_{GNN} is the total number of

learnable parameters in the WCGCN. For the last layer, we adopt the split-head architecture of reference [39] to reduce the computational complexity of the AMS mapping.

In Algorithm 1, we set $\lambda_0 = 1$ and $\mu_0 = 0.5$, and the window size W is decreased exponentially over time t from 40 to 5, with the window size decreased every time the performance does not improve over two consecutive time steps. The choice of initial hyperparameters $\lambda_0 > \mu_0$ imposes a higher reliance to the low-variance DT-estimated loss (20) at the initial training stage, which we found empirically to be useful for optimization stability, in a manner similar to the observation reported in [40]. The learning rate in (7), (16), (22), and (24) are all set as 0.015.

VI. SIMULATION RESULTS

In this section, we compare the performances of the DT-powered AMS schemes introduced in Section III and Section IV, alongside the AMS strategy that utilizes only PT data discussed in Section II. To assess the benefits of AMS, we introduce an additional baseline algorithm that does not utilize an AMS mapping, directly optimizing the GNN parameters ϕ based on data collected from the physical system for the current context c . This baseline uses conventional continual learning (CL), whereby the GNN weights obtained at the previous time $t - 1$ are used as the initialization at time t (see, e.g., [28, Eq. (13.20)]) as

$$\begin{aligned} \phi_t &= \phi_{t-1} - \gamma_{t-1} \nabla \hat{L}^{\text{PT}}(\phi_{t-1}), \\ \text{with } \hat{L}^{\text{PT}}(\phi_{t-1}) &= \frac{1}{N^{\text{PT}}} \sum_{n=1}^{N^{\text{PT}}} \ell(x_{n,t} | \phi_{t-1}). \end{aligned} \quad (37)$$

Finally, to set a performance upper bound, we consider the weighted minimum mean-square error (WMMSE) power control algorithm [43], a benchmark model-based power control scheme that is optimized separately for each CSI matrix \mathbf{H} . For each scheme, we report the mean performance and 95% confidence intervals obtained averaging the results over 5 random simulation seeds. Simulation code is available at <https://github.com/qiushuo0913/DT-powered-AMS>.

A. Convergence of the Calibration Phase

In this section, we evaluate the sum-rate achieved under the current context c_t during the calibration phase. To this end, for the CL benchmark, we use the model ϕ_t obtained after the update (37) by using data for the current task. In contrast, for the AMS schemes, the sum-rate is evaluated for the GNN model ϕ_t obtained by plugging in the current context c_t into the current

AMS model as $\phi_t = g(c_t|\theta_t)$. The sum-rate is normalized by the sum-rate obtained under the equal, maximum, power P_{\max} allocation strategy.

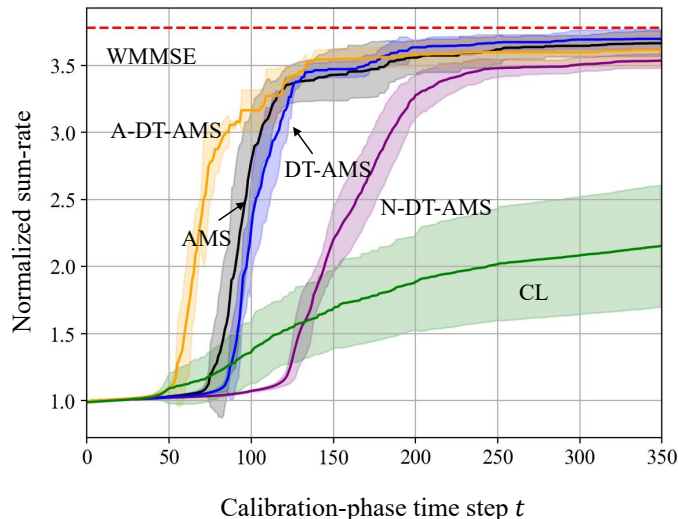


Fig. 6. Normalized sum-rate versus the time step t of the calibration phase, with DT channel model matched to the real channel model and real-to-sim discrepancy caused by the fidelity level $f = 0.4$.

1) *Digital Twin Model with Well-Specified Channel Model*: We first consider a scenario in which the DT simulator uses the same channel model as the real channel. In this case, the mismatch between simulation and reality is caused by the limited simulation budget that constrains the fraction of simulated links to $f = 0.4$. The Rician κ -factor is set to $\kappa = 0$. In Fig. 6, we report the evolution along the time step t of the calibration phase of the normalized sum-rate.

We first note that the conventional continual learning approach converges slowly, failing to reach satisfactory performance. This demonstrates the necessity of employing an AMS strategy that can extract information from the context c . In this regard, all AMS schemes are seen to approach the performance of WMMSE for a large enough calibration time step t .

That said, the N-DT-AMS scheme has the slowest convergence rate, since it treats equally the simulated and real-world samples. In contrast, the DT-AMS and A-DT-AMS schemes are able to converge faster to the WMMSE normalized sum-rate thanks to the DT-to-PT bias correction term in their loss estimate. In particular, the A-DT-AMS strategy has the best performance, demonstrating the importance of controlling the variance of estimated loss at the early stage of the calibrating phase.

2) *Digital Twin Model with Misspecified Channel Model*: We now consider a misspecified channel model used by the DT. In particular, the DT assumes that the Rician κ -factor is $\kappa = 0$ while the true Rician κ -factor is $\kappa = 5$. As shown in Fig. 7, the proposed A-DT-AMS largely outperforms other AMS strategies and the conventional baseline, converging faster and achieving a higher sum-rate in the early stages of calibration. This performance gain is justified by the ability of the A-DT-AMS scheme to adaptively control the trade-off between bias and variance as discussed in Section IV.

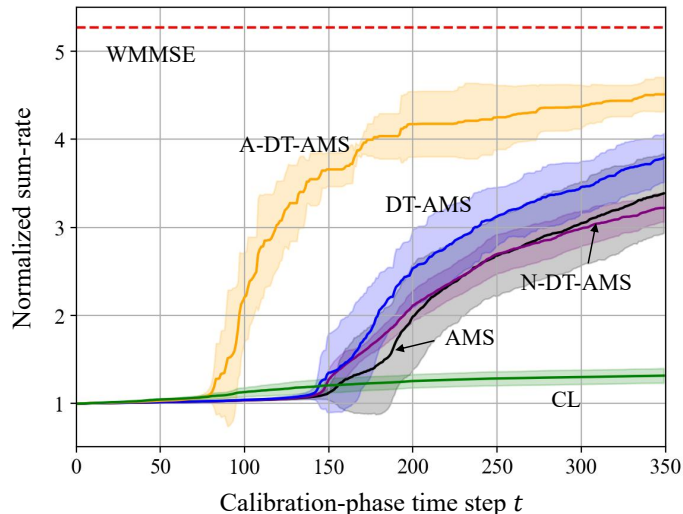


Fig. 7. Normalized sum-rate versus the time step t of the calibration phase, with DT channel model using a mismatched Rician κ -factor in (34) ($f = 0.4$).

B. On the Simulation Cost

We now investigate the impact of the simulation cost by varying the fidelity level f of the DT simulator in (35). In Fig. 8, we report the normalized sum-rate after a calibration phase of $t = 250$ time steps. The performance of DT-powered schemes deteriorates as the fidelity f decreases. However, as compared to the N-DT-AMS scheme, the proposed DT-AMS and A-DT-AMS strategies have a graceful performance degradation thanks to their ability to correct the mismatch between DT and PT data distributions.

By (35), reducing the fidelity f decreases the simulation cost S_f . We now fix the simulation cost S_f to the cost computed with fidelity level $f = 0.4$, and adjust the number M^{DT} of additional contexts simulated by the DT to meet the constraint (35). To this end, we set $M^{\text{DT}} = \lfloor 9.6/f \rfloor$. This way reducing the fidelity f permits the simulation of more contexts, defining a trade-off

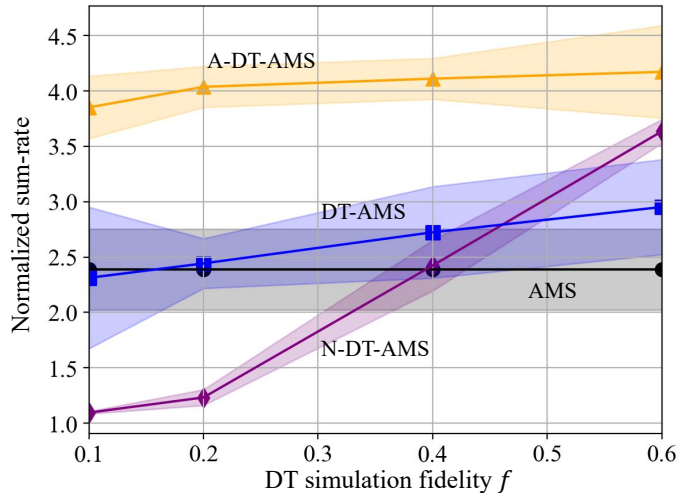


Fig. 8. Normalized sum-rate as a function of the DT simulation fidelity f in (35).

between the diversity of the simulated contexts and the fidelity at which data are generated for each context. Accordingly, unlike in the setting of Fig. 8, a fidelity reduction does not necessarily imply a performance degradation, as it allows to the DT to generate more contexts under the same simulation budget S_f .

The results shown in Fig. 9 demonstrate that N-DT-AMS still exhibits a monotonically increasing rate as a function of f , since it is unable to compensate for the reduced fidelity of the simulation at DT. In contrast, thanks to the inclusion of DT-to-PT correction terms, both A-DT-AMS and DT-AMS can withstand a reduction in the simulation fidelity f , benefiting from access to a larger synthetic data set covering more contexts.

C. Impact of the Numbers of Context Variables and Simulated Data per Context Variable

Given a fixed simulation budget (35) and a fixed fidelity level f , one can explore different choices for the number of generated contexts, M^{DT} , and for the number of simulated data points per context, N^{DT} . For fidelity $f = 0.4$, Fig. 10 reports the sum-rate of A-DT-AMS after $t = 100$ calibrating steps. This figure normalizes the sum-rate by the value achieved by the baseline AMS scheme, which does not use DT data. Red dashed lines correspond to different budget levels S^{DT} , namely $S^{\text{DT}} = 180$, $S^{\text{DT}} = 270$, $S^{\text{DT}} = 640$, and $S^{\text{DT}} = 960$.

It is observed from Fig. 10 that, an increased simulation budget S^{DT} generally increases the performance of A-DT-AMS by virtue of the reduced variance of the DT-related loss terms used for online training. Furthermore, it is generally beneficial to increase the number of contexts

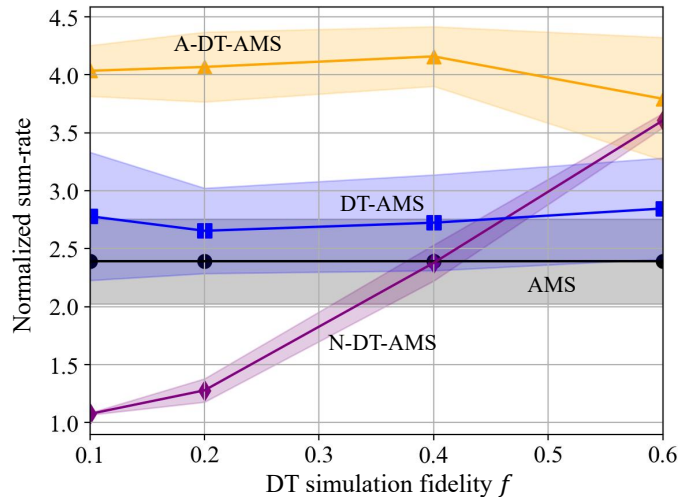


Fig. 9. Normalized sum-rate as a function of the DT simulation fidelity level f in (35) for a fixed simulation budget.

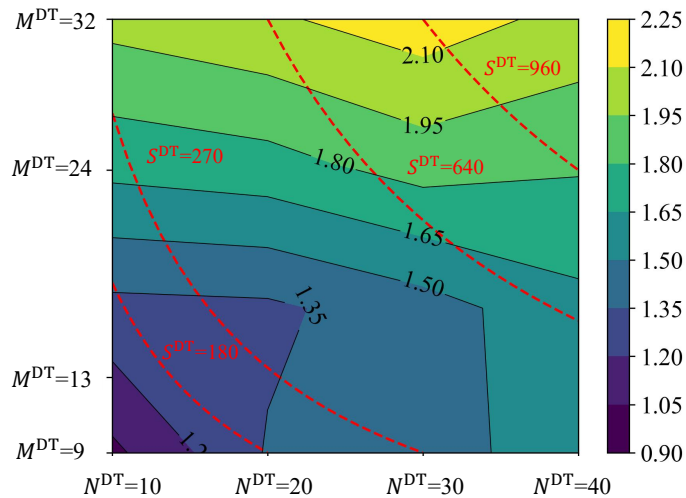


Fig. 10. Sum-rate of A-DT-AMS, normalized by the sum-rate of AMS, as a function of the number of simulated contexts, M^{DT} , and of the number of data points per context, N^{DT} .

M^{DT} rather than the number of CSI realizations N^{DT} . This suggests that a large diversity of contexts is preferable to more data per context.

VII. CONCLUSION

Next-generation wireless systems are expected to make extensive use of AI-based apps. The deployment of AI-based apps is highly context dependent, with different network conditions, user requirements, and operator's intents requiring an adaptation of the apps. In order to ensure the adaptation to the current context, an automatic model selection (AMS) function maps context

variables to model parameters. Training an effective AMS generally requires exposure to a sufficiently large amount of contexts, calling for a potentially long online calibration phase. This work has proposed a principled way of speeding up the calibration of an AMS model by utilizing data generated from a digital twin (DT) from multiple synthetic contexts. The proposed calibration schemes, referred to as DT-AMS and A-DT-AMS, move beyond conventional solutions that use synthetic data to augment the data set. This is done by utilizing real-world data to correct the bias caused by the discrepancy between the DT simulator and the real world. Simulation results have demonstrated the advantages of the proposed DT-powered AMS calibration approaches.

Future work may focus on settings in which multiple apps must be selected, managing conflicts between apps; on reducing the communication overhead between PT and DT; on applying transformers as in-context learners as AMS mappings [44]; as well as on updating context distribution at the DT side via continual feedback from PT [45].

APPENDIX A

PROOF OF THE SOLUTION OF (26)

We propose to tune the hyperparameters λ_t and μ_t so as to minimize the MSE, i.e.,

$$\begin{aligned}
\{\lambda_t^*, \mu_t^*\} &= \underset{\{\lambda_t, \mu_t\}}{\operatorname{argmin}} \operatorname{MSE}(\theta_t), \\
&= \underset{\{\lambda_t, \mu_t\}}{\operatorname{argmin}} \underbrace{\begin{bmatrix} \lambda_t & \mu_t \end{bmatrix} \begin{bmatrix} L^{\text{DT}}(\theta_t)^2 + V^{\text{DT}}(\theta_t) & -L^{\text{DT}}(\theta_t)^2 \\ -L^{\text{DT}}(\theta_t)^2 & L^{\text{DT}}(\theta_t)^2 + V^{\text{PT} \rightarrow \text{DT}}(\theta_t) \end{bmatrix}}_Q \begin{bmatrix} \lambda_t \\ \mu_t \end{bmatrix} \\
&\quad + \underbrace{\begin{bmatrix} 0 & -2C^{\text{PT} \rightarrow \text{DT}}(\theta_t) \end{bmatrix}}_b \begin{bmatrix} \lambda_t \\ \mu_t \end{bmatrix} + V^{\text{PT}}(\theta_t).
\end{aligned} \tag{38}$$

Note that Q is always positive definite, thus, the aforementioned optimization problem is strictly convex on λ_t and μ_t . Then, we can obtain the unique optimal solutions for λ_t and μ_t based on the formula

$$\begin{bmatrix} \lambda_t \\ \mu_t \end{bmatrix} = -\frac{1}{2}Q^{-1}b, \tag{39}$$

i.e.,

$$\begin{aligned}\lambda_t^* &= \frac{C^{\text{DT} \rightarrow \text{PT}}(\theta_t) L^{\text{DT}}(\theta_t)^2}{L^{\text{DT}}(\theta_t)^2 (V^{\text{DT} \rightarrow \text{PT}}(\theta_t) + V^{\text{DT}}(\theta_t)) + V^{\text{DT} \rightarrow \text{PT}}(\theta_t) V^{\text{DT}}(\theta_t)}, \\ \mu_t^* &= \frac{C^{\text{DT} \rightarrow \text{PT}}(\theta_t) + \lambda_t^* L^{\text{DT}}(\theta_t)^2}{V^{\text{DT} \rightarrow \text{PT}}(\theta_t) + L^{\text{DT}}(\theta_t)^2}.\end{aligned}\quad (40)$$

APPENDIX B

IMPLEMENTATIONS DETAILS ON WCGCN

The WCGCN model [30] belongs to the class of message passing graph neural networks. WCGCN treats its input CSI matrix \mathbf{H}_t via the corresponding graph representation \mathcal{G} . Specifically, the graph corresponds to the tuple $\mathcal{G} = (\mathcal{V}, \mathcal{E}, \mathcal{Z}, \mathbf{A})$, where \mathcal{V} is the set of nodes, \mathcal{E} is the set of edges, \mathbf{A} is the adjacency feature matrix, and \mathcal{Z} is a feature vector, including the features of all the nodes. Following the modeling in [30], each node $k \in \mathcal{V}$ in the graph corresponds to the k -th transceiver pair (T_t^k, R_t^k) ; each edge $(j, k) \in \mathcal{E}$ represents the interference from node j to node k , i.e., $(j, k) \in \mathcal{E}$ if $h_t^{j,k} \neq 0$ and $(j, k) \notin \mathcal{E}$ if $h_t^{j,k} = 0$; each node feature vector $\mathcal{Z} \in \mathbb{C}^K$ corresponds to the diagonal elements of \mathbf{H}_t , i.e., $[\mathcal{Z}]_k = h_t^{kk}$; and finally the adjacency feature matrix $\mathbf{A} \in \mathbb{C}^{K \times K}$ is defined based on the off-diagonal terms of \mathbf{H}^t , i.e., $[\mathbf{A}]_{j,k} = h_t^{jk}$ for $j \neq k$.

WCGCN updates its hidden state \mathbf{u}_k^i via two multi-layer perceptrons (MLPs) by taking into account for the two important operations in message passing, i.e., aggregation and combining, which can be expressed as

$$\mathbf{u}_k^i = \beta \left(\text{MLP}_2 \left(\mathbf{u}_k^{i-1}, \text{MAX}_{j \in \mathcal{N}(k)} \left\{ \text{MLP}_1 \left([\mathbf{u}_j^{i-1}], [\mathbf{A}]_{j,k} \right) \right\} \right) \right), \quad 1 \leq i \leq I. \quad (41)$$

In (41), MLP_1 and MLP_2 represent the two different MLPs, respectively; \mathbf{u}_k^i denotes the hidden state of node k at the i -th layer of WCGCN; $\beta(\cdot)$ is a differentiable normalization function to constrain the power P_k ; $\mathcal{N}(k)$ denotes the set of the neighbors of node k ; and I denotes the number of layers in WCGCN.

REFERENCES

- [1] I. Panitsas, A. Mudvari, A. Maatouk, and L. Tassiulas, “Predictive handover strategy in 6G and beyond: A deep and transfer learning approach,” *arXiv:2404.08113*.
- [2] T. Hospedales, A. Antoniou, P. Micaelli, and A. Storkey, “Meta-learning in neural networks: A survey,” *arXiv:2004.05439*.
- [3] Y. Yuan, G. Zheng, K. Wong, B. Ottersten, and Z. Luo, “Transfer learning and meta learning-based fast downlink beamforming adaptation,” *IEEE Trans. Wireless Commun.*, vol. 20, no. 3, pp. 1742–1755, Mar. 2021.
- [4] O. Simeone, S. Park, and J. Kang, “From learning to meta-learning: Reduced training overhead and complexity for communication systems,” in *Proc. 6G Wireless Summit (6G SUMMIT)*, 2020, pp. 1–5.
- [5] D. Laredo, Y. Qin, O. Schütze, and J.-Q. Sun, “Automatic model selection for neural networks,” *arXiv:1905.06010*.
- [6] A. Singh, J. Amutha, J. Nagar, S. Sharma, and C.-C. Lee, “AutoML-ID: Automated machine learning model for intrusion detection using wireless sensor network,” *Sci. Rep.*, vol. 12, no. 1, pp. 1–14, May 2022.
- [7] H. Xu, Z. Sun, Y. Cao, and H. Bilal, “A data-driven approach for intrusion and anomaly detection using automated machine learning for the Internet of Things,” *Soft Comput.*, 1-13.
- [8] E. Ak, B. Canberk, V. Sharma, OA. Dobre, and TQ. Duong, “What-if analysis framework for digital twins in 6G wireless network management,” *arXiv:2404.11394*.
- [9] S. Jiang and A. Alkhateeb, “Digital twin based beam prediction: Can we train in the digital world and deploy in reality?” in *Proc. IEEE International Conference on Communications Workshops (ICC Workshops)*, pp. 36–41, 2023.
- [10] Y. Lu, S. Maharjan, and Y. Zhang, “Adaptive edge association for wireless digital twin networks in 6G,” *IEEE Internet of Things J.*, vol. 8, no. 22, pp. 16219–16230, Nov. 2021.
- [11] Y. Zhang, T. Osman, and A. Alkhateeb, “A digital twin assisted framework for interference nulling in millimeter wave MIMO systems,” *arXiv:2301.13311*.
- [12] W. Liu , B. Li , W. Xie , Y. Dai, and Z. Fei, “Energy efficient computation offloading in aerial edge networks with multi-agent cooperation,” *IEEE Trans. Wireless Commun.*, vol. 22, no. 9, pp. 5725–5739, Sep. 2023.
- [13] H. Luo, and A. Alkhateeb, “Digital twin aided compressive sensing: Enabling site-specific MIMO hybrid precoding,” *arXiv:2405.07115*.
- [14] D. Villa, M. Tehrani-Moayyed, C. Robinson, L. Bonati, P. Johari, M. Polese, T. Melodia, “Colosseum as a digital twin: Bridging real-world experimentation and wireless network emulation,” *IEEE Trans. on Mobile Comput.*, in press, 2024.
- [15] D. Villa, M. Tehrani-Moayyed, P. Johari, S. Basagni, and T. Melodia, “CaST: A toolchain for creating and characterizing realistic wireless network emulation scenarios,” in *ACM WiNTECH*, Sydney, Australia, Oct. 2022.
- [16] J. Chen, S. Park, P. Popovski, H. V. Poor, and O. Simeone, “Neuromorphic split computing with wake-up radios: Architecture and design via digital twinning,” *arXiv:2404.01815*.

- [17] C. Ruah, O. Simeone, J. Hoydis, and B. Al-Hashimi, “Calibrating wireless ray tracing for digital twinning using local phase error estimates,” *arXiv:2312.12625*.
- [18] C. Ruah, O. Simeone, and B. Al-Hashimi, “A Bayesian frame work for digital twin-based control, monitoring, and data collection in wireless systems,” *IEEE J. Sel. Areas Commun.*, vol. 41, no. 10, pp. 3146–3160, Oct. 2023.
- [19] S. Jiang, and A. Alkhateeb, “Digital twin aided massive MIMO: CSI compression and feedback,” *arXiv:2402.19434*.
- [20] O. Hashash, C. Chaccour, and W. Saad, “Edge continual learning for dynamic digital twins over wireless networks,” in *2022 IEEE 23rd International Workshop on Signal Processing Advances in Wireless Communication (SPAWC)*, Oulu, Finland, Jul. 2022, pp. 1–5.
- [21] B. Salehi, U. Demir, D. Roy, S. Pradhan, J. Dy, S. Ioannidis, and K. Chowdhury, “Multiverse at the edge: Interacting real world and digital twins for wireless beamforming,” *arXiv:2305.10350*.
- [22] O. Hashash, C. Chaccour, W. Saad, K. Sakaguchi, and T. Yu, “Towards a decentralized metaverse: Synchronized orchestration of digital twins and sub-metaverses,” *arXiv:2211.14686*.
- [23] Z. Yang, M. Chen, Y. Liu, and Z. Zhang, “Optimizing synchronization delay for digital twin over wireless networks,” in *IEEE Int. Conf. Acoust. Speech Signal Process.(ICASSP)*, 2024.
- [24] M. Polese, L. Bonati, S. D’Oro, S. Basagni, and T. Melodia, “Understanding O-RAN: Architecture, interfaces, algorithms, security, and research challenges,” *arxiv.abs/2202.01032*.
- [25] O-RAN Working Group 1. (2021, July). O-RAN architecture description 5.00 (ORAN.WG1.O-RAN-Architecture-Description-v05.00 Technical Specification). O-RAN Alliance
- [26] A. N. Angelopoulos, S. Bates, C. Fannjiang, M.I. Jordan, and T. Zrnica, “Prediction-powered inference,” *Science*, 382(6671): 669-674.
- [27] A. N. Angelopoulos, J. C. Duchi, and T. Zrnica, “PPI++: Efficient prediction-powered inference,” *arXiv:2311.01453*.
- [28] O. Simeone, *Machine learning for engineers*. Cambridge university press, 2022.
- [29] Q. Hou, M. Lee, G. Yu and Y. Cai, “Meta-Gating framework for fast and continuous resource optimization in dynamic wireless environments,” *IEEE Trans. Commun.*, vol. 71, no. 9, pp. 5259-5273, Sep. 2023.
- [30] Y. Shen, Y. Shi, J. Zhang, and K. B. Letaief, “Graph neural networks for scalable radio resource management: Architecture design and theoretical analysis,” *IEEE J. Sel. Areas Commun.*, vol. 39, no. 1, pp. 101–115, Jan. 2021.
- [31] M. Lee, G. Yu, and G. Y. Li, “Graph embedding-based wireless link scheduling with few training samples,” *IEEE Trans. Wireless Commun.*, vol. 20, no. 4, pp. 2282–2294, Apr. 2021.
- [32] I. Nikoloska and O. Simeone, “Modular meta-learning for power control via random edge graph neural networks,” *IEEE Trans. Wireless Commun.*, vol. 22, no. 1, pp. 457–470, Jan. 2023.
- [33] M. Eisen and A. Ribeiro, “Optimal wireless resource allocation with random edge graph neural networks,” *IEEE Trans. Signal Process.*, vol. 68, pp. 2977–2991, Apr. 2020.

- [34] F. Pourpanahetal., “A review of generalized zero-shot learning methods,” *IEEE Trans. Pattern Anal. Mach. Intell.*, vol. 45, no. 4, pp. 4051–4070, Apr. 2023.
- [35] J. C. Spall, “An overview of the simultaneous perturbation method for efficient optimization,” *Amer. Soc. Civil Eng.*, vol. 19, no. 4, pp. 482–492, 1998.
- [36] Y. Shi, J. Zhang, and K. B. Letaief, “Group sparse beamforming for green cloud-RAN,” *IEEE Trans. Wireless Commun.*, vol. 13, no. 5, pp. 2809–2823, May 2014.
- [37] O. Özdogan, E. Björnson, and J. Zhang, “Performance of cell-free massive MIMO with Rician fading and phase shifts,” *IEEE Trans. Wireless Commun.*, vol. 18, no. 11, pp. 5299–5315, Nov. 2019.
- [38] K. Zhou, Z. Liu, Y. Qiao, T. Xiang, and C. C. Loy, “Domain generalization: A survey,” *IEEE Trans. Pattern Anal. Mach. Intell.*, vol. 45, no. 4, pp. 4396–4415, Apr. 2023.
- [39] V. K. Chauhan, J. Zhou, P. Lu, S. Molaei, and D. A. Clifton, “A brief review of hypernetworks in deep learning,” *arXiv:2306.06955*.
- [40] B. Zhu, M. Ding, P. Jacobson, M. Wu, W. Zhan, M. Jordan, and J. Jiao, “Doubly robust self-training,” *arXiv:2306.00265*.
- [41] Y. Demidovich, and G. Malinovsky, “A guide through the zoo of biased SGD,” in *Advances in Neural Information Processing Systems*, vo. 36, 2023.
- [42] L. Liu, H. Jiang, P. He, W. Chen, X. Liu, J. Gao, and J. Hna, “On the variance of the adaptive learning rate and beyond,” *arXiv:1908.03265*.
- [43] Q. Shi, M. Razaviyayn, Z. Luo, and C. He, “An iteratively weighted MMSE approach to distributed sum-utility maximization for a MIMO interfering broadcast channel,” *IEEE Trans. Signal Process.*, vol. 59, no. 9, pp. 4331–4340, Sep. 2011.
- [44] M. Zecchin, K. Yu, and O. Simeone, “Cell-free multi-user MIMO equalization via in-context learning,” *arXiv:2404.05538*.
- [45] D. Prinster, S. Stanton, A. Liu, and S. Saria, “Conformal validity guarantees exist for any data distribution,” *arXiv:2405.06627*.