
Mixture of In-Context Experts Enhance LLMs’ Long Context Awareness

Hongzhan Lin^{1*} Ang Lv^{1*} Yuhan Chen^{2*}
Chen Zhu³ Yang Song⁴ Hengshu Zhu³ Rui Yan^{1†}

¹ Gaoling School of Artificial Intelligence, Renmin University of China
² XiaoMi AI Lab ³ Career Science Lab, BOSS Zhipin ⁴ NLP Center, BOSS Zhipin
{linhongzhan, anglv, ruiyan}@ruc.edu.cn
{chenyuhan5}@xiaomi.com

Abstract

Many studies have revealed that large language models (LLMs) exhibit uneven awareness of different contextual positions. Their limited context awareness can lead to overlooking critical information and subsequent task failures. While several approaches have been proposed to enhance LLMs’ context awareness, achieving both effectiveness and efficiency remains challenging. In this paper, for LLMs utilizing RoPE as position embeddings, we introduce a novel method called “Mixture of In-Context Experts” (MoICE) to address this challenge. MoICE comprises two key components: a router integrated into each attention head within LLMs and a lightweight router-only training optimization strategy: (1) MoICE views each RoPE angle as an ‘in-context’ expert, demonstrated to be capable of directing the attention of a head to specific contextual positions. Consequently, each attention head flexibly processes tokens using multiple RoPE angles dynamically selected by the router to attend to the needed positions. This approach mitigates the risk of overlooking essential contextual information. (2) The router-only training strategy entails freezing LLM parameters and exclusively updating routers for only a few steps. When applied to open-source LLMs including Llama and Mistral, MoICE surpasses prior methods across multiple tasks on long context understanding and generation, all while maintaining commendable inference efficiency.

1 Introduction

Although large language models (LLMs) have demonstrated impressive capabilities across diverse NLP tasks, several studies [22, 6] have pointed out that the contextual awareness of LLMs is not as powerful as widely believed, constraining their application in tasks demanding extensive contextual awareness, such as coherent long text generation [38] and Retrieval-Augmented Generation (RAG, [15, 4, 8]) tasks necessitating in-context retrieval [6]. Liu et al. [22] identified a common issue termed the “lost-in-middle” phenomenon, indicating that LLMs often exhibit a weaker awareness of information situated in the middle of the long context compared to the beginning or end. Chen et al. [6] highlighted challenges arising from a mathematical property of RoPE [29], a wide-used positional embedding in LLMs, which impedes attention to specific positions within the long context. Consequently, if critical information coincides with such positions, task performance suffers.

*Equal contribution. Hongzhan Lin and Ang Lv proposed the idea of MoICE. Hongzhan Lin and Yuhan Chen designed the MoICE router architecture and implemented efficient code. Experiments were conducted by Hongzhan Lin, while Ang Lv led the writing. Code is available at <https://github.com/p1nksnow/MoICE>.

†Corresponding author: Rui Yan (ruiyan@ruc.edu.cn)

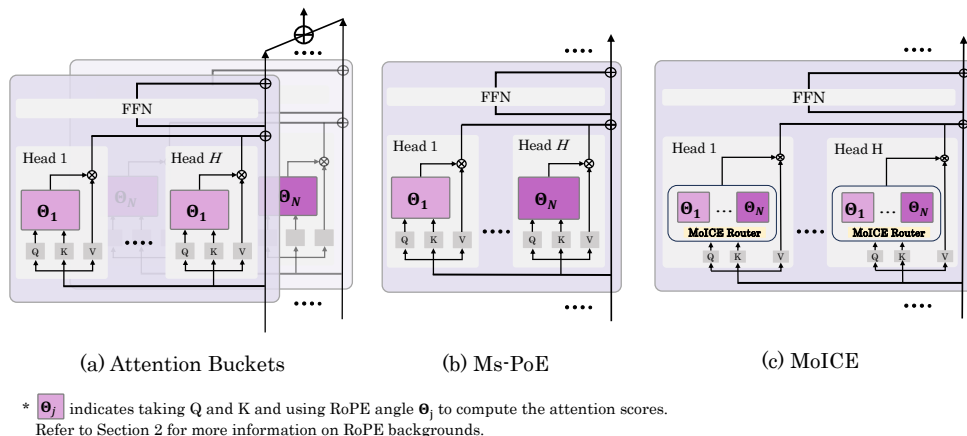


Figure 1: Some methods developed to enhance LLMs’ context awareness. (a) Attention Buckets [6] selects N different RoPEs and conducts N parallel inferences for each input. The outputs are then aggregated in the final layer. (b) Ms-PoE [38] employs a unique RoPE angle for each attention head. However, it needs an additional forward pass for RoPE angle assignment. (c) MoICE integrates a router within each attention head. This novel plug-in selects several of the most suitable RoPE angles for each token. The selected RoPE angles collectively contribute to computing the attention scores. MoICE demonstrates superior memory efficiency and performance.

Many works [19, 38, 6, 37] have attempted to enhance the long-context awareness of LLMs. Central to these efforts is the enhancement of attention heads which serve as the linchpin for contextual awareness, given that FFNs in language models do not introduce token interaction. Chen et al. [6] proposed an inference algorithm named *Attention Buckets* (AB), which enhanced the context awareness of LLMs by executing N inference instances, each with a distinct RoPE angle, and aggregated the outputs at the final layer. Zhang et al. [38] observed the varying awareness of attention heads to contextual positions. They proposed an inference algorithm named *Ms-PoE*. Ms-PoE enhances the utility of position-aware heads by re-scaling the positional embedding indices, equivalent to assigning each head a unique RoPE angle. Figure 1 illustrates these approaches. However, these approaches each come with their own drawbacks: AB conducts excessive redundant FFNs calculations, leading to high memory consumption. In Ms-PoE, determining a distinct re-scale factor for every attention head needs an additional forward pass. Meanwhile, each attention head still depends on a single re-scaled static RoPE. As highlighted by AB [6], this leads to limited awareness of certain contextual positions, thereby constraining its potential. Moreover, a significant drawback of both AB and Ms-PoE lies in their static assignment of the RoPE angle for each attention head throughout the generation. However, as the generation progresses, the positions of crucial tokens shift, necessitating corresponding adjustments in the required RoPE angles for each head.

In this study, we present *Mixture of In-Context Experts* (MoICE), a novel plug-in of LLMs for enhancing context awareness. Specifically, We conceptualize a unique RoPE angle as an “in-context expert,” as it can allocate a head’s more attention to certain contextual positions [6]. We integrate a router within each attention head, which discerns the potentially important tokens for the head and dynamically selects K RoPE angles that provide comprehensive awareness of these tokens for attention computation. Through the re-computation of only a few query-key dot products, attention patterns computed with selected RoPE angles are aggregated to produce the final attention pattern. This approach yields two primary advantages: (1) It eliminates unnecessary computational overhead in AB, enhancing efficiency. (2) The dynamic expert selection of each head for arbitrary tokens introduces flexibility not attained in previous studies. This minimizes the risk of the initial RoPE angle assigned to a head failing to work due to crucial token positions shifting during generation.

Consequently, MoICE not only surpasses AB’s effectiveness but also achieves commendable efficiency. We name our approach as “Mixture of In-Context Experts” (MoICE) due to the aggregation of attention patterns calculated with different RoPE angles resembling the concept of “Mixture of Experts” (MoE, [28]). When applying MoICE to open-source LLMs, we freeze LLMs’ parameters and conduct lightweight training only on the MoICE routers. With only a few quick updates, MoICE surpasses many competitive baselines in tasks involving long-context generation and understanding.

In summary, our main contribution is the introduction of MoICE, a novel plug-in for enhancing LLMs’ context awareness. It achieves head-and token-specific dynamic multiple RoPE angles assignment, outperforms previous methods across various tasks, and maintains commendable inference efficiency.

2 Background

We introduce some background of *Mixture of In-Context Experts*, including (1) the rotary position embeddings commonly used by mainstream LLMs, (2) the primary problem addressed in this paper: the limited context awareness of LLMs, (3) an explanation of the underlying reasons for this limitation, and (4) the Mixture of Expert techniques employed to mitigate the limitation.

Position embedding Positional embedding is crucial for Transformer [33] to perceive sequence order and compensate for the position-agnostic nature of the attention mechanism. In this paper, we mainly focus on LLMs using Rotary Position Embedding (RoPE, [29]) which is the prevalent position embedding in current LLMs. We discuss other position embeddings in Appendix B.

In a Transformer layer with H attention heads employing RoPE, where d represents the hidden state dimension of each attention head, let \mathbf{q}_n^h and \mathbf{k}_m^h denote the query vector at position n and key vector at position m in the h -th head. To encode position information, RoPE initially applies a rotary matrix to the query and key vectors:

$$\hat{\mathbf{q}}_n^h = \mathbf{R}_{\Theta_j,n} \cdot \mathbf{q}_n \in \mathbb{R}^d, \quad \hat{\mathbf{k}}_m^h = \mathbf{R}_{\Theta_j,m} \cdot \mathbf{k}_m \in \mathbb{R}^d, \quad (1)$$

$$\mathbf{R}_{\Theta_j,n} = \begin{bmatrix} \mathbf{r}_{\theta_{j,0},n} & O & \cdots & O \\ O & \mathbf{r}_{\theta_{j,1},n} & \cdots & O \\ \vdots & \vdots & \ddots & \vdots \\ O & O & \cdots & \mathbf{r}_{\theta_{j,d/2-1},n} \end{bmatrix}, \text{ where } \mathbf{r}_{\theta_{j,i},n} = \begin{bmatrix} \cos n\theta_{j,i} & -\sin n\theta_{j,i} \\ \sin n\theta_{j,i} & \cos n\theta_{j,i} \end{bmatrix}, O = \begin{bmatrix} 0 & 0 \\ 0 & 0 \end{bmatrix}. \quad (2)$$

Here, $\theta_{j,i} = B_j^{-2i/d}$, $i \in [0, \dots, d/2 - 1]$, is termed as the rotary angle of RoPE, and B_j is typically a fixed base. The subscript j serves to differentiate various RoPE angles Θ , each associated with a distinct B_j , a distinction necessary for discussions in Section 3. This approach effectively incorporates relative position information between m and n in the query-key product during attention computation:

$$\hat{\mathbf{q}}_n^{h\top} \cdot \hat{\mathbf{k}}_m^h = (\mathbf{R}_{\Theta_j,n} \cdot \mathbf{q}_n^h)^\top (\mathbf{R}_{\Theta_j,m} \cdot \mathbf{k}_m^h) = \mathbf{q}_n^{h\top} \cdot \mathbf{R}_{\Theta_j,m-n} \cdot \mathbf{k}_m^h, \quad (3)$$

$$\text{Attn}_{nm}^h = \text{Softmax} \left(\frac{\hat{\mathbf{q}}_n^{h\top} \cdot \hat{\mathbf{k}}_m^h}{\sqrt{d}} \right) = \text{Softmax} \left(\frac{\mathbf{q}_n^{h\top} \cdot \mathbf{R}_{\Theta_j,m-n} \cdot \mathbf{k}_m^h}{\sqrt{d}} \right). \quad (4)$$

Here, Attn_{nm}^h denotes the attention score assigned by the h -th head at position n to position m .

Context awareness of LLMs LLMs struggle with limited context awareness, significantly impacting their performance in tasks like long-text generation [38], Retrieval-Augmented Generation (RAG, [15, 4, 8]), and multi-turn human-agent interactions [6] involving complex contexts. Liu et al. [22] identified a problem known as “Lost-in-the-Middle,” where LLMs process the beginning and end of the context well but have reduced awareness of the middle. Chen et al. [6] observed that LLMs using RoPE exhibit uneven context awareness, favoring certain positions. Peysakhovich et al. [26] further highlighted that LLMs exhibit variable attention to document-level token segments based on their contextual positions.

Attention waveforms According to Chen et al. [6], LLM’s uneven awareness of different contextual positions is due to RoPE’s mathematical characteristics. Within RoPE, the attention score exhibits “waveforms” when retrieving the same token from the context, based on their

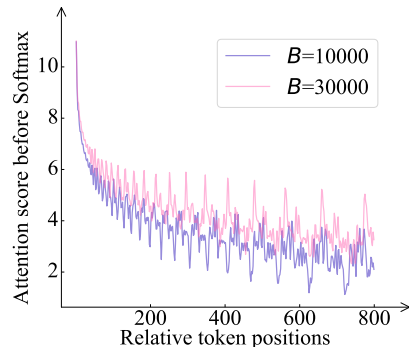


Figure 2: Different RoPE angles Θ_j alter the upper bounds of attention scores between a token and its x -distance neighbors. Each angle is distinguished by its own base value B_j .

relative positions. The troughs in these waveforms can impair task performance, especially when critical tokens are situated at these positions during generation. Different RoPE angles produce waveforms with troughs occurring at different positions. These phenomena are depicted in Figure 2. A detailed derivation of the depicted curves in Figure 2 is provided in Appendix A.

3 Mixture of In-Context Experts

In this section, we first introduce the core component of MoICE, the MoICE router, detailed in Section 3.1. Subsequently, we delve into the optimization of MoICE in Section 3.2. Figure 3 provides an overview of MoICE. The discussion in this section focuses solely on a single layer of transformer for clarity, with the same principles applying to any other layers.

3.1 Architecture

We aim to design an enhanced attention mechanism in LLMs that dynamically attends to crucial information across various contextual positions required for completing the head’s function. As a result, we can mitigate the performance drop caused by inadequate context awareness. Motivated by insights of Chen et al. [6], who demonstrated that a distinct RoPE angle Θ_j could direct the attention heads more focus on specific contextual positions, we propose the integration of a contextual-aware routing mechanism. This routing mechanism is designed to select the appropriate RoPE angles for processing a token. We implement the router as a Multi-Layer Perceptron (MLP) with the SiLU activation function:

$$\text{Router}(\mathbf{q}) := \mathbf{W}_3 (\text{SiLU}(\mathbf{W}_1 \mathbf{q}) \odot (\mathbf{W}_2 \mathbf{q})). \quad (5)$$

Here, \mathbf{q} is the query vector that encapsulates the contextual information for the task. This router input indicates the specific information for which the current token is “querying.” $\mathbf{W}_1, \mathbf{W}_2 \in \mathbb{R}^{N \times d}$, and $\mathbf{W}_3 \in \mathbb{R}^{N \times N}$ are weight matrices, where N denotes the number of the number of RoPE angle candidates. Considering each head’s distinct function [24, 35, 23], we integrate a router into every attention head in the LLM. Notably, a router’s decision is independent of other heads and dynamic to the context.

As defined in Eq. 5, the router outputs an N -tuple distribution, indicating the weight it allocates for each RoPE angle. In each step in generation, the router selects K angles from a set of N angles $\{\Theta_1, \Theta_2, \dots, \Theta_N\}$ for attention computation. Specifically, we first identify the K RoPE angles with the highest routing weights and normalize their relative weights using the Softmax function, resulting in $\mathbf{p}_n^h \in \mathbb{R}^K$, representing the probability distribution over the selected RoPE angles within the h -th head:

$$\begin{aligned} \text{TopK-Indices}_n^h &= \text{argsort}(\text{Router}(\mathbf{q}_n^h))[: K], \\ \mathbf{p}_n^h &= \text{Softmax}(\text{Router}(\mathbf{q}_n^h)[\text{TopK-Indices}_n^h]), \end{aligned} \quad (6)$$

where \mathbf{q}_n^h represents the query at position n within the h -th attention head in a Transformer layer. Subsequently, we aggregate the attention scores computed with these chosen K in-context experts based on their routing weights to derive the final attention scores for head h from position n to position m :

$$\text{Attn}_{nm}^h = \sum_{j \in \text{TopK-Indices}_n^h} \mathbf{p}_n^h[j] \cdot \text{Softmax}\left(\frac{\mathbf{q}_n^{h\top} \cdot \mathbf{R}_{\Theta_j, m-n} \cdot \mathbf{k}_m^h}{\sqrt{d}}\right). \quad (7)$$

Considering RoPE angles impact how attention heads allocate attention and focus on specific contextual positions, we view each distinct RoPE angle as an in-context expert, in contrast to traditional

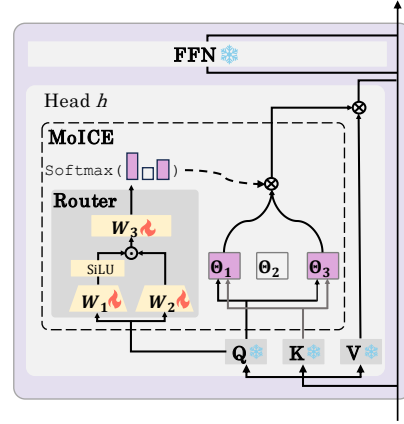


Figure 3: The structure of MoICE. Only the router’s parameters are trainable when plugged into an LLM. For clarity, the figure illustrates a single head, with $N=3$ and $K=2$ as toy demonstration examples.

in-weight experts [14, 17, 10], where the experts are learnable parameter weights. Given that these in-context experts together augment LLMs’ context awareness, we term this method Mixture of In-Context Experts (MoICE, Section 3). Figure 3 illustrates the overview of MoICE. Our proposed MoICE has three major advantages:

- (1) We only add additional computational overhead to the query-key dot products, resulting in a minimal increase in memory usage and a negligible impact on inference speed (Section 4.2).
- (2) MoICE dynamically selects suitable RoPE angles token-wise and head-wise, offering unprecedented flexibility and unlocking the full potential of each attention head.
- (3) Concerning LLMs’ context awareness enhancement, MoICE addresses a longstanding issue: the relative position of the relevant information will shift during generation, leading to previous static modification of the attention heads [6, 36] will be sub-optimal during practical generation. The contextual-aware dynamic routing in MoICE is not bothered by this issue.

3.2 Router-only training

To train the newly incorporated MoICE routers in LLMs, the most straightforward way is to simultaneously update the LLMs’ parameters alongside the routers. However, updating the original LLMs’ parameters can result in catastrophic forgetting. Therefore, we propose a more effective and efficient strategy, the router-only training strategy, which freezes the LLMs’ parameters and solely optimizing the routers.

Given an input sequence, we calculate the negative log-likelihood loss (\mathcal{L}_{nll}) for language modeling. During backward propagation, only the parameters of MoICE routers are updated. To mitigate the possibility of a router favoring specific experts disproportionately [14, 34], we incorporate an auxiliary loss \mathcal{L}_{aux} following [14]. Given an input of T tokens and N experts, we calculate the \mathcal{L}_{lb} by the scaled dot-product between frequency vector \mathbf{F} and probability vector \mathbf{P} :

$$\mathcal{L}_{aux} = \alpha \cdot N \cdot \sum_{j=1}^N \mathbf{F}_j \cdot \mathbf{P}_j. \quad (8)$$

Eq. 8 avoids the router falling into a sub-optimal solution favoring specific experts overwhelmingly, as its minimal is achieved when the routing probability is uniform. Here, α is the weighting factor for load balancing loss. \mathbf{F}_j denotes the proportion of the j -th expert selected across all positions and attention heads, while \mathbf{P}_j denotes the proportion of router weight assigned to expert j :

$$\begin{aligned} \mathbf{F}_j &= \frac{1}{T \times H} \sum_{t=1}^T \sum_{h=1}^H \mathbb{1}\{j \in \text{TopK-Indices}_t^h\}, \\ \mathbf{P}_j &= \frac{1}{T \times H} \sum_{t=1}^T \sum_{h=1}^H \mathbb{1}\{j \in \text{TopK-Indices}_t^h\} \cdot \mathbf{p}_t^h[j]. \end{aligned} \quad (9)$$

Our overall training objective is to minimize the following loss:

$$\mathcal{L} = \mathcal{L}_{nll} + \mathcal{L}_{aux}. \quad (10)$$

4 Experiment

4.1 Setup

To evaluate the efficacy of MoICE, we implement it with open-source LLMs, which we will introduce later, and conduct lightweight training of MoICE routers on a small and general dataset. Subsequently, we evaluate the enhanced LLM’s capability to zero-shot undertake multiple tasks in long context understanding and generation, as detailed in Section 4.2 and Section 4.3.

Training data We use a training dataset³ which extracts the one thousand longest entries from OpenHermes [31]. OpenHermes is a multi-source integrated dataset containing high-quality synthetically generated instruction and chat samples. A detailed analysis of other training data is in Section 5.3.

³<https://huggingface.co/datasets/HuggingFaceH4/OpenHermes-2.5-1k-longest>

Hyperparameters for MoICE-router-only training We froze all the original parameters of the open-source LLMs we used and only trained the MoICE router. Following Attention Buckets [6], we employed the RoPE angle set of $N = 7$ items, each assigned with base values as follows: $\{10,000, 17,500, 18,000, 19,000, 20,000, 22,500, 25,000\}$. By default, unless otherwise specified, the attention head selects $K=7$ bases to ensure a fair comparison with [6]. Section 4.2 introduces our baselines in detail. Section 5 delves into the impact of set size and the number of selected items.

We implement a warm-up strategy comprising 20% of the total steps, with a maximum learning rate of 0.0001. The batch size is 128. α is set as 0.3. We train the MoICE routers for 1 epoch (about 8 minutes) on four A800-80G GPUs.

4.2 Long context understanding and generation

Following the L-Eval benchmark [1], we evaluated the LLM with tasks categorized into two main groups: closed-ended and open-ended tasks. Closed-ended tasks primarily focus on the capacity for understanding and reasoning within long contexts, including tasks like multiple-choice questions from QuALITY [3], Coursera, ⁴ TOEFL [9], and True/False question answering from SFiction. ⁵ On the other hand, open-ended tasks include summarization generation and open-format question-answering tasks, requiring extracting information from lengthy in-context documents. The open-ended tasks comprise a subset of 181 questions drawn from 29 diverse long documents.

Baselines and open-source LLMs In evaluating the efficacy of our proposed MoICE, we compare it against several state-of-the-art methods known for enhancing the capacity of LLMs to understand and generate long contexts. These baselines include two context extrapolation techniques: Positional Interpolation (PI, [5]) and Dynamic NTK [13]. Additionally, we consider two inference algorithms for context-awareness enhancement: Ms-PoE [38] and Attention Buckets [6].

We evaluate all these methods alongside our MoICE on two representative open-source LLMs that utilize RoPE for positional embeddings: Llama2-7B-chat [32] with a pre-trained context length of 4,096, and Mistral-7B-Instruct-v0.1 [16]. Mistral-7B employs a sliding window attention (SWA) mechanism with a window size of 4,096 tokens, enabling it to accommodate longer contexts than the default. Therefore, we conduct experiments with a context length of 8,192 on Mistral-7B, using SWA as the exclusive baseline for comparison. For PI and Dynamic NTK, we apply a scaling ratio of 1.5, while for the remaining baselines, we adhere to the hyperparameters specified in their original papers. All methods are tested on a single A800-80G GPU, except for applying AB to Mistral-7B-8k, which needs 2 GPUs due to substantial memory requirements.

Evaluation metrics We adopt the exact match for closed-ended tasks. For open-ended tasks, we employ *GPT-4-Turbo* [25] as the judge to evaluate the effectiveness of various enhancement methods on open-source LLMs. This evaluation compares their performance against *GPT3.5-Turbo-16k-0613* across 181 questions.

Results and analysis We report our experimental results in Table 1. MoICE significantly enhances the overall performance of Llama-2-7B-chat (with p-value < 0.02 in the t-test) in both closed-ended and open-ended tasks. On Mistral, MoICE outperforms all baseline models significantly (p-value < 0.02). Standard fine-tuning degrades the performance of original LLMs, demonstrating catastrophic forgetting and proving that the improvement of MoICE does not stem from more training. These results underscore MoICE’s efficacy in enhancing LLMs’ ability to understand and generate long contexts, both of which require high context awareness. Furthermore, these results underscore the broad applicability of MoICE across different LLMs.

Regarding efficiency, we provide practical inference time and memory costs associated with AB, Ms-PoE, and MoICE in Table 2. For a fair comparison, we utilize Flash Attention 2 [11] across all approaches. While achieving superior overall performance, MoICE remains at an inference speed similar to Ms-PoE and notably excels in memory efficiency compared to these two baselines.

⁴<https://coursera.org/>

⁵<https://github.com/nschaetti/SFGram-dataset>

Table 1: Experimental results on the L-Eval Benchmark [1]. Applying to various models, MoICE demonstrate superior performance compared to previous competitive approaches. We emphasize the highest score in bold.

Method	Closed - Ended Task					Open - Ended Task		
	Coursera	QuALITY	TOEFL	SFiction	Average	wins	ties	win-rate%*
Llama2-7B-chat [32]	36.77	38.12	55.02	60.16	47.52	68	117	34.94
+ Fine-tuning	32.85	30.20	51.30	59.38	43.43	65	91	30.52
+ PI [5]	38.23	38.61	56.51	61.72	48.77	76	112	36.46
+ Dynamic NTK [13]	40.26	39.11	55.76	62.50	49.41	82	112	38.12
+ Ms-PoE [38]	39.24	40.10	55.76	63.28	49.60	86	110	38.95
+ AB [6]	40.41	41.09	56.88	61.72	50.02	85	114	39.23
+ MoICE (Ours)	39.83	42.08	56.13	64.84	50.72	89	118	40.88
Mistral-7B-Instruct-8k [16]	45.20	44.06	62.08	61.72	53.27	71	105	34.11
+ Fine-tuning	25.29	26.73	25.65	50.00	31.92	53	85	26.38
+ SWA	44.77	42.57	62.08	60.94	52.59	73	89	32.45
+ PI [5]	44.19	44.06	64.68	62.50	53.86	73	96	33.43
+ Dynamic NTK [13]	45.35	42.08	62.08	63.28	53.20	78	103	35.77
+ Ms-PoE [38]	46.37	45.05	61.34	57.03	52.45	84	106	37.84
+ AB [6]	46.08	42.57	62.08	62.50	53.31	87	110	39.22
+ MoICE (Ours)	47.82	46.53	64.68	62.50	55.38	85	117	39.36

* Following [1], win-rate = (win counts + 0.5 * tie counts)

Table 2: Practical inference time (in minutes) / GPU memory costs (GB) on a single A800-80G GPU for each method applied to Llama2-7B-chat (top) and Mistral-7B-Instruct-8k (bottom), respectively. Due to out-of-memory issues, AB can not accomplish many tasks, denoted as OOM in the table.

Method	Coursera ↓	QuALITY ↓	TOEFL ↓	SFiction ↓	Open-Ended ↓	Average ↓
AB [6]	10.9 / 78.7	18.1 / 62.5	19.9 / 56.5	5.0 / 33.2	45.9 / 78.2	20.0 / 61.8
Ms-PoE [38]	4.1 / 27.2	6.0 / 27.8	6.7 / 28.6	6.0 / 27.8	20.2 / 28.9	8.6 / 28.1
MoICE (Ours)	5.0 / 19.6	11.0 / 19.7	10.2 / 19.5	1.6 / 15.2	34.2 / 23.2	12.4 / 19.4
AB [6]	OOM	OOM	37.2 / 71.4	OOM	OOM	N/A
Ms-PoE [38]	14.1 / 50.3	11.2 / 48.4	9.8 / 25.4	4.5 / 50.3	72.8 / 62.4	22.5 / 47.4
MoICE (Ours)	13.4 / 25.7	7.7 / 22.9	11.3 / 20.4	2.3 / 22.8	77.8 / 29.3	22.5 / 24.2

4.3 Retrieval-augmented generation (RAG)

Retrieval-augmented generation (RAG) tasks involve retrieving numerous documents related to the current generation. The retrieved documents are arranged in the context. RAG necessitates that LLMs have robust context awareness to pinpoint crucial documents, process the retrieved information effectively, and integrate it to generate responses.

Following [6, 38], we employ the MDQA task to evaluate the efficacy of MoICE in enhancing LLMs’ performance in RAG tasks. Meanwhile, MDQA offers the bonus of allowing flexible control over the location of documents, enabling a more precise evaluation of LLMs’ context awareness across various contextual positions.

Our MDQA experiments leverage a subset of NaturalQuestions-Open [21, 20], consisting of 2,655 queries, following [38, 22]. Each query is paired with a context consisting of 10 or 30 documents (with an average of 1,722 or 5,046 tokens), depending on the model (Llama-2-7B-chat or Mistral-7B-Instruct-8k), tasked with answering based on this contextual information. Only one document among these comprises useful information for the given query. We compare Ms-PoE, AB, and MoICE, testing each method through 5 iterations. For Llama, the relevant document is positioned 1st, 3rd, 5th, 7th, and 10th within the context, while for Mistral, it is positioned 1st, 8th, 15th, 23rd, and 30th, respectively.

In Table 3, MoICE on Llama demonstrates the highest average performance across most positions, showcasing its remarkable stability. Its accuracy scores show minimal variation, with only a marginal difference of 2.22 points between its highest and lowest values. On Mistral, MoICE exhibits significant average improvement (p-value < 0.02). Notably, when the relevant document is positioned at the end of the context, all methods on Llama exhibit a decrease compared to the original model, although

Table 3: The experiment results on the MDQA task. MoICE achieve superior average performance compared to previous competitive approaches. We emphasize the highest score in bold.

Method	1	3	5	7	10	Gap	Avg.
Llama2-7B-chat	64.14	65.95	64.97	62.67	67.53	4.86	65.05
+ Ms-PoE [38]	66.06	64.29	63.99	62.22	64.75	3.84	64.34
+ AB [5]	66.36	66.14	65.25	63.20	64.93	3.16	65.18
+ MoICE (Ours)	65.50	66.33	65.61	64.11	65.84	2.22	65.48

Method	1	8	15	23	30	Gap	Avg.
Mistral-7B-Instruct-8k	58.38	47.42	46.97	49.68	50.81	11.41	50.65
+ Ms-PoE [38]	52.76	41.24	42.80	42.90	43.58	11.52	44.66
+ AB [5]	58.57	47.57	47.12	49.83	50.96	11.45	50.81
+ MoICE (Ours)	61.81	52.54	52.43	50.36	49.34	12.47	53.30

MoICE shows a minimal decline. This phenomenon also happens in the Mistral model. We posit that this decline may stem from the original model predominantly directing attention towards nearest documents [22, 26]. However, as approaches enhance awareness of various contextual positions, the model’s attention to the nearest documents is diffused by other positions, as its overall capacity for context awareness is constant and limited. Nevertheless, MoICE consistently emerges as the superior-performing method overall across language models.

5 Method analysis

In this section, we delve into a comprehensive analysis of the properties of MoICE. We illustrate how N , the total number of in-context experts (Section 5.1), and K , the specific number of selected in-context experts (Section 5.2), influence MoICE. We further demonstrate that MoICE is robust to training data (Section 5.3) Additionally, we present a case study demonstrating the dynamic selection of in-context experts for tokens during generation (Section 5.4).

5.1 The effect of expert total numbers N

We investigate the impact of the total number of experts. Employing the search algorithm proposed by Chen et al. [6], we obtain various sets of different sizes, each comprising complementary base values. The searched expert sets are detailed in Appendix C. We apply MoICE to Llama-2-7B-chat and test the model on L-Eval tasks. The results are presented in Table 4. The results of the original Llama are denoted as ($N=1$) in the table. As the table illustrates, MoICE demonstrates improvement to LLMs’ context awareness with increasing N , with noticeable improvements even when N is as small as 3. However, as N reaches 9, the average performance is close to $N=7$, indicating a performance plateau. This suggests that having $N=7$ experts is sufficient for general usage.

5.2 The effect of selected experts number K

With a fixed number of experts ($N=7$), we examine the effect of different numbers of chosen experts K with values of 1, 3, 5, and 7. We consider two additional setups where 7 experts are selected with equal weights (“Equal Weights”) and with random weights (“Random Weights”), using Llama-2-7B-chat as the case study. The results are presented in Table 5. Setting $K = 1$ doesn’t enhance or significantly degrade the model’s performance, aligning with our assertion in the Introduction (Section 1): assigning a single and unique RoPE angle to each head inadequately explores the head’s functionality. For K greater than 3, performance improvements become evident. This shows that the MoICE router in our method can select the appropriate combination of experts to better aware the context. Randomly selecting experts ruins the model’s language modeling ability, leading to aberrant outputs.

5.3 MoICE is robust to training data

We further analyze the impact of the data for training routers. We additionally use three instruction fine-tuning datasets from different sources: a self-instruct dataset, Airoboros [18]; and two datasets

Table 4: The performance of Llama-2-7B-chat enhanced by MoICE with N in-context experts. We show results marked with color to emphasize the improvements over the original model.

Method	Coursera	QuALITY	TOEFL	SFiction	Avg.
Original ($N=1$)	36.77	38.12	55.02	60.16	47.52
$N=3$	37.65	40.10	55.76	62.50	49.00
$N=5$	38.23	39.60	56.13	63.28	49.32
$N=7$	39.83	42.08	56.13	64.84	50.72
$N=9$	40.26	41.58	56.13	64.84	50.70

Table 5: The improvement of context awareness of Llama-2-7B-chat by MoICE, wherein each head dynamically selects diverse K experts ($N=7$). We show results marked with color to emphasize the improvements over the original model.

Method	Coursera	QuALITY	TOEFL	SFiction	Avg.
Original ($N=1$)	36.77	38.12	55.02	60.16	47.52
$K=1$	35.03	35.64	56.51	61.72	47.22
$K=3$	39.83	41.58	56.13	64.84	50.60
$K=5$	38.52	39.60	56.13	64.84	49.77
$K=7$	39.83	42.08	56.13	64.84	50.72
Equal Weights	36.48	38.12	53.90	61.72	47.56
Random Weights	15.55	28.71	21.75	8.59	18.65

for LLM alignment with long context, Long-Alpaca [7], and LongAlign [2]. The hyperparameters remain consistent as mentioned in Section 4. As presented in Table 6, MoICE exhibits almost identical scores when trained on different data, showcasing the robustness of our method.

Table 6: The improvement of context awareness of Llama-2-7B-chat by MoICE trained on various data.

Training Data	Coursera	QuALITY	TOEFL	SFiction	Avg.
OpenHermes [31]	39.83	42.08	56.13	64.84	50.72
Airoboros [18]	39.68	41.58	56.13	64.84	50.56
Long-Alpaca [7]	39.68	42.08	56.13	64.84	50.68
LongAlign [2]	39.68	41.58	56.13	64.84	50.56

5.4 The visualization of dynamic routing states

We provide a case study exemplifying the dynamic routing mechanism within MoICE during text generation. Depicted in Figure 4 in the Appendix, the MoICE router of each head independently selects distinct experts. At each step of the generation process, these heads dynamically choose experts for each new token. This dynamic utilization of diverse RoPE angles within each attention head maximizes the potential of attention heads across various inputs, a capability not attained in prior research, including both Attention Buckets and Ms-PoE.

6 Conclusion

In this paper, we introduce a novel approach to enhancing the context awareness of LLMs termed *Mixture of In-Context Experts* (MoICE). Through lightweight training, open-source LLMs such as Llama and Mistral, enhanced by MoICE, demonstrate improved context awareness. Across numerous tasks demanding substantial context awareness, MoICE-enhanced LLMs consistently outperform competitive baselines, all the while maintaining commendable efficiency. A distinctive feature of MoICE is that it first implements head- and token-specific RoPE angles assignment for attention heads, a pivotal factor contributing to its success. This paper underscores the need to address the inherent limitations in current LLMs and advocates for a thorough exploration of their existing capabilities.

Acknowledgments and Disclosure of Funding

This work was supported by Boss Zhipin for providing computational resources. We appreciate Ting-En Lin for his discussions on training hyperparameters.

References

- [1] Chenxin An, Shansan Gong, Ming Zhong, Mukai Li, Jun Zhang, Lingpeng Kong, and Xipeng Qiu. L-eval: Instituting standardized evaluation for long context language models. *arXiv preprint arXiv:2307.11088*, 2023.
- [2] Yushi Bai, Xin Lv, Jiajie Zhang, Yuze He, Ji Qi, Lei Hou, Jie Tang, Yuxiao Dong, and Juanzi Li. Longalign: A recipe for long context alignment of large language models. *arXiv preprint arXiv:2401.18058*, 2024.
- [3] Samuel R Bowman, Angelica Chen, He He, Nitish Joshi, Johnny Ma, Nikita Nangia, Vishakh Padmakumar, Richard Yuanzhe Pang, Alicia Parrish, Jason Phang, et al. Quality: Question answering with long input texts, yes! *NAACL 2022*, 2022.
- [4] Jiawei Chen, Hongyu Lin, Xianpei Han, and Le Sun. Benchmarking large language models in retrieval-augmented generation. In *Proceedings of the AAAI Conference on Artificial Intelligence*, volume 38, pages 17754–17762, 2024.
- [5] Shouyuan Chen, Sherman Wong, Liangjian Chen, and Yuandong Tian. Extending context window of large language models via positional interpolation. *arXiv preprint arXiv:2306.15595*, 2023.
- [6] Yuhan Chen, Ang Lv, Ting-En Lin, Changyu Chen, Yuchuan Wu, Fei Huang, Yongbin Li, and Rui Yan. Fortify the shortest stave in attention: Enhancing context awareness of large language models for effective tool use. *arXiv preprint arXiv:2312.04455*, 2023.
- [7] Yukang Chen, Shaozuo Yu, Shengju Qian, Haotian Tang, Xin Lai, Zhijian Liu, Song Han, and Jiaya Jia. Long alpaca: Long-context instruction-following models. <https://github.com/dvlab-research/LongLoRA>, 2023.
- [8] Xin Cheng, Di Luo, Xiuying Chen, Lemaoyan Liu, Dongyan Zhao, and Rui Yan. Lift yourself up: Retrieval-augmented text generation with self-memory. *Advances in Neural Information Processing Systems*, 36, 2024.
- [9] Yu-An Chung, Hung-Yi Lee, and James Glass. Supervised and unsupervised transfer learning for question answering. In Marilyn Walker, Heng Ji, and Amanda Stent, editors, *Proceedings of the 2018 Conference of the North American Chapter of the Association for Computational Linguistics: Human Language Technologies, Volume 1 (Long Papers)*, pages 1585–1594, New Orleans, Louisiana, June 2018. Association for Computational Linguistics.
- [10] Damai Dai, Chengqi Deng, Chenggang Zhao, RX Xu, Huazuo Gao, Deli Chen, Jiashi Li, Wangding Zeng, Xingkai Yu, Y Wu, et al. Deepseekmoe: Towards ultimate expert specialization in mixture-of-experts language models. *arXiv preprint arXiv:2401.06066*, 2024.
- [11] Tri Dao. Flashattention-2: Faster attention with better parallelism and work partitioning. In *The Twelfth International Conference on Learning Representations*, 2024.
- [12] Jacob Devlin, Ming-Wei Chang, Kenton Lee, and Kristina Toutanova. BERT: Pre-training of deep bidirectional transformers for language understanding. In Jill Burstein, Christy Doran, and Thamar Solorio, editors, *Proceedings of the 2019 Conference of the North American Chapter of the Association for Computational Linguistics: Human Language Technologies, Volume 1 (Long and Short Papers)*, pages 4171–4186, Minneapolis, Minnesota, June 2019. Association for Computational Linguistics.
- [13] emozilla. Dynamically scaled rope further increases performance of long context llama with zero fine-tuning. https://www.reddit.com/r/LocalLLaMA/comments/14mrgpr/dynamically_scaled_rope_further_increases.

- [14] William Fedus, Barret Zoph, and Noam Shazeer. Switch transformers: Scaling to trillion parameter models with simple and efficient sparsity. *Journal of Machine Learning Research*, 23(120):1–39, 2022.
- [15] Yizheng Huang and Jimmy Huang. A survey on retrieval-augmented text generation for large language models. *arXiv preprint arXiv:2404.10981*, 2024.
- [16] Albert Q Jiang, Alexandre Sablayrolles, Arthur Mensch, Chris Bamford, Devendra Singh Chaplot, Diego de las Casas, Florian Bressand, Gianna Lengyel, Guillaume Lample, Lucile Saulnier, et al. Mistral 7b. *arXiv preprint arXiv:2310.06825*, 2023.
- [17] Albert Q Jiang, Alexandre Sablayrolles, Antoine Roux, Arthur Mensch, Blanche Savary, Chris Bamford, Devendra Singh Chaplot, Diego de las Casas, Emma Bou Hanna, Florian Bressand, et al. Mixtral of experts. *arXiv preprint arXiv:2401.04088*, 2024.
- [18] jondurbin. aioboros: using large language models to fine-tune large language models. <https://github.com/jondurbin/aioboros>.
- [19] He Junqing, Pan Kunhao, Dong Xiaoqun, Song Zhuoyang, Liu Yibo, Liang Yuxin, Wang Hao, Sun Qianguo, Zhang Songxin, Xie Zejian, et al. Never lost in the middle: Improving large language models via attention strengthening question answering. *arXiv preprint arXiv:2311.09198*, 2023.
- [20] Tom Kwiatkowski, Jennimaria Palomaki, Olivia Redfield, Michael Collins, Ankur Parikh, Chris Alberti, Danielle Epstein, Illia Polosukhin, Jacob Devlin, Kenton Lee, Kristina Toutanova, Llion Jones, Matthew Kelcey, Ming-Wei Chang, Andrew M. Dai, Jakob Uszkoreit, Quoc Le, and Slav Petrov. Natural questions: A benchmark for question answering research. *Transactions of the Association for Computational Linguistics*, 7:452–466, 2019.
- [21] Kenton Lee, Ming-Wei Chang, and Kristina Toutanova. Latent retrieval for weakly supervised open domain question answering. In Anna Korhonen, David Traum, and Lluís Màrquez, editors, *Proceedings of the 57th Annual Meeting of the Association for Computational Linguistics*, pages 6086–6096, Florence, Italy, July 2019. Association for Computational Linguistics.
- [22] Nelson F. Liu, Kevin Lin, John Hewitt, Ashwin Paranjape, Michele Bevilacqua, Fabio Petroni, and Percy Liang. Lost in the middle: How language models use long contexts, 2023.
- [23] Ang Lv, Kaiyi Zhang, Yuhan Chen, Yulong Wang, Lifeng Liu, Ji-Rong Wen, Jian Xie, and Rui Yan. Interpreting key mechanisms of factual recall in transformer-based language models, 2024.
- [24] Catherine Olsson, Nelson Elhage, Neel Nanda, Nicholas Joseph, Nova DasSarma, Tom Henighan, Ben Mann, Amanda Askell, Yuntao Bai, Anna Chen, Tom Conerly, Dawn Drain, Deep Ganguli, Zac Hatfield-Dodds, Danny Hernandez, Scott Johnston, Andy Jones, Jackson Kernion, Liane Lovitt, Kamal Ndousse, Dario Amodei, Tom Brown, Jack Clark, Jared Kaplan, Sam McCandlish, and Chris Olah. In-context learning and induction heads. *Transformer Circuits Thread*, 2022. <https://transformer-circuits.pub/2022/in-context-learning-and-induction-heads/index.html>.
- [25] OpenAI. Gpt-4 technical report, 2024.
- [26] Alexander Peysakhovich and Adam Lerer. Attention sorting combats recency bias in long context language models, 2023.
- [27] Ofir Press, Noah A. Smith, and Mike Lewis. Train short, test long: Attention with linear biases enables input length extrapolation, 2022.
- [28] Noam Shazeer, *Azalia Mirhoseini, *Krzysztof Maziarczyk, Andy Davis, Quoc Le, Geoffrey Hinton, and Jeff Dean. Outrageously large neural networks: The sparsely-gated mixture-of-experts layer. In *International Conference on Learning Representations*, 2017.
- [29] Jianlin Su, Murtadha Ahmed, Yu Lu, Shengfeng Pan, Wen Bo, and Yunfeng Liu. Roformer: Enhanced transformer with rotary position embedding. *Neurocomputing*, 568:127063, 2024.

- [30] Yutao Sun, Li Dong, Barun Patra, Shuming Ma, Shaohan Huang, Alon Benhaim, Vishrav Chaudhary, Xia Song, and Furu Wei. A length-extrapolatable transformer. In Anna Rogers, Jordan Boyd-Graber, and Naoaki Okazaki, editors, *Proceedings of the 61st Annual Meeting of the Association for Computational Linguistics (Volume 1: Long Papers)*, pages 14590–14604, Toronto, Canada, July 2023. Association for Computational Linguistics.
- [31] Teknium. Openhermes 2.5: An open dataset of synthetic data for generalist llm assistants, 2023.
- [32] Hugo Touvron, Louis Martin, Kevin Stone, Peter Albert, Amjad Almahairi, Yasmine Babaei, Nikolay Bashlykov, Soumya Batra, Prajjwal Bhargava, Shruti Bhosale, et al. Llama 2: Open foundation and fine-tuned chat models. *arXiv preprint arXiv:2307.09288*, 2023.
- [33] Ashish Vaswani, Noam Shazeer, Niki Parmar, Jakob Uszkoreit, Llion Jones, Aidan N Gomez, Łukasz Kaiser, and Illia Polosukhin. Attention is all you need. In I. Guyon, U. Von Luxburg, S. Bengio, H. Wallach, R. Fergus, S. Vishwanathan, and R. Garnett, editors, *Advances in Neural Information Processing Systems*, volume 30. Curran Associates, Inc., 2017.
- [34] Haotao Wang, Ziyu Jiang, Yuning You, Yan Han, Gaowen Liu, Jayanth Srinivasa, Ramana Kompella, Zhangyang Wang, et al. Graph mixture of experts: Learning on large-scale graphs with explicit diversity modeling. *Advances in Neural Information Processing Systems*, 36, 2024.
- [35] Kevin Ro Wang, Alexandre Variengien, Arthur Conmy, Buck Shlegeris, and Jacob Steinhardt. Interpretability in the wild: a circuit for indirect object identification in GPT-2 small. In *The Eleventh International Conference on Learning Representations*, 2023.
- [36] Liang Zhang, Katherine Jijo, Spurthi Setty, Eden Chung, Fatima Javid, Natan Vidra, and Tommy Clifford. Enhancing large language model performance to answer questions and extract information more accurately. *arXiv preprint arXiv:2402.01722*, 2024.
- [37] Qingru Zhang, Chandan Singh, Liyuan Liu, Xiaodong Liu, Bin Yu, Jianfeng Gao, and Tuo Zhao. Tell your model where to attend: Post-hoc attention steering for llms. *arXiv preprint arXiv:2311.02262*, 2023.
- [38] Zhenyu Zhang, Runjin Chen, Shiwei Liu, Zhewei Yao, Olatunji Ruwase, Beidi Chen, Xiaoxia Wu, and Zhangyang Wang. Found in the middle: How language models use long contexts better via plug-and-play positional encoding. *arXiv preprint arXiv:2403.04797*, 2024.

A Attention waveforms

In this section, we will elaborate on attention waveforms and the concept of complementarity. Assuming $\hat{\mathbf{q}}_n^h \cdot \hat{\mathbf{k}}_m^h$ is the attention score (before softmax) of the n -th position to m -th position on the h -th attention head. The attention score can be formulated as follows:

$$\begin{aligned}
\hat{\mathbf{q}}_n^h \cdot \hat{\mathbf{k}}_m^h &= (\mathbf{R}_{\Theta, n} \mathbf{q}_n)^T (\mathbf{R}_{\Theta, m} \mathbf{k}_m) \\
&= \operatorname{Re} \left[\sum_{j=0}^{d/2-1} \mathbf{q}_n^h[2j : 2j + 1] \mathbf{k}_m^{h*}[2j : 2j + 1] e^{i(n-m)\theta_j} \right] \\
&= \sum_{j=0}^{d/2-1} \left(q_{n2j}^h \cdot k_{m2j}^h + q_{n2j+1}^h \cdot k_{m2j+1}^h \right) \cos((n-m)\theta_j) \\
&\quad + \left(q_{n2j}^h \cdot k_{m2j+1}^h - q_{n2j+1}^h \cdot k_{m2j}^h \right) \sin((n-m)\theta_j),
\end{aligned}$$

where $\theta_j = B^{-2j/d}$, B is the rotary base of RoPE. Considering a context-awareness task, basic context awareness relies on attending to the same token and then copying its next token as outputs [24]. To simplify the calculation, we set both \mathbf{q}_n^h and \mathbf{k}_m^h as all-one vectors to observe the impact of relative positions on the attention when retrieving the same token from the context. This impact (or the intensity of attention) is dubbed as attention waveform \mathcal{W} by [6].

$$\mathcal{W} \leq \sum_{j=0}^{d/2-1} 2 \cos((n-m)\theta_j).$$

As illustrated in Figure 2, the waveform exhibits two notable mathematical properties concerning attention scores: it demonstrates fluctuations and undergoes a gradual decay with the increasing relative position (i.e., long-term decay).

Chen et al. [6] observed that crucial information falling within the troughs of a waveform might diminish the performance of models employing RoPE. Meanwhile, they pointed out the waveform, characterized by peaks and troughs, vary across RoPE bases. When leveraging the peaks of one attention wave to compensate for the overlook of the troughs in another, the model’s capability to perceive and process information from diverse contextual positions can be enhanced. When a set of bases possesses this waveform characteristic, they are termed “complementary.”

B Discussions on more position embeddings

In this section, we discuss other position embeddings and demonstrate why they are not studied, e.g., discarded in LLMs, do not exhibit attention waveform pattern, or are in the same family of RoPE: Firstly, the waveform pattern only exists in position embeddings constructed by cosine functions. Regarding the cosine embedding used in the original Transformer, it does exhibit long-term decay and periodic waveforms. However, this embedding is disregarded in modern LLMs. Moreover, these embeddings are incorporated before the initial model layer rather than during the attention computation, making it hard to assess their impact on attention patterns. Secondly, the learned positional embeddings utilized in BERT [12] lack mathematical constraints to display periodic patterns. They are similarly added before the first model layer. Thirdly, Alibi [27] introduces a linear bias to attention scores. The linear bias is devoid of wave patterns. The remaining popular positional embeddings used in LLMs such as xPos [30] are RoPE-based variants. These variants are predominantly modified for long-context extrapolation rather than better context awareness. Therefore, they share the same shortcoming: tokens in attention trough are less focused on, thereby limiting context awareness, which is the study focus in our paper.

C Details on expert sets

Utilizing the RoPE-base searching algorithm as proposed by Chen et al. [6], Table 7 illustrates the resulting sets for different values of N .

Table 7: Searched Sets for Different N

N	Searched Set
3	{10,000, 18,000, 19,000}
5	{10,000, 17,500, 18,000, 19,000, 20,000}
7	{10,000, 17,500, 18,000, 19,000, 20,000, 22,500, 25,000}
9	{10,000, 13,500, 17,500, 18,000, 19,000, 20,000, 22,500, 24,000, 25,000}

D Limitations

In this paper, we introduce a plug-in module called MoICE, which is integrated into the attention heads of open-source LLMs to enhance their context awareness. One limitation is that, due to limited computational resources, we did not investigate the effectiveness of pretraining a language model using the MoICE architecture. Furthermore, our proposed method exploits the potential for context awareness within LLMs, but it does not imbue the models with additional inherent context awareness abilities. Achieving this may necessitate more extensive data to train all model parameters.

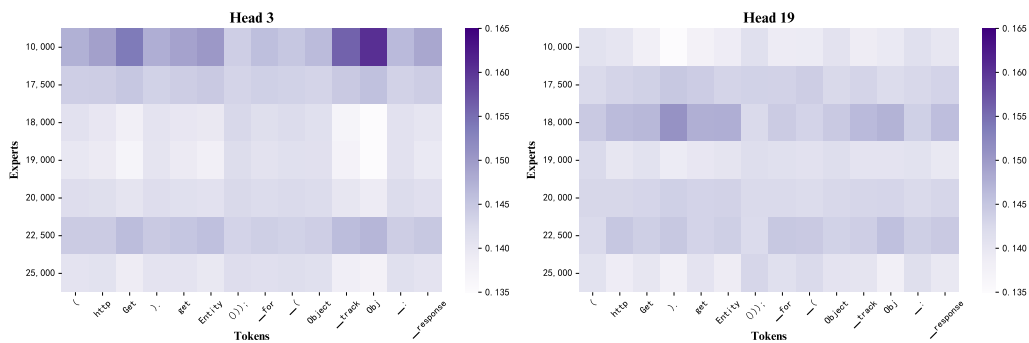


Figure 4: The routing weights across two distinct attention heads at the 27th layer in Llama-2-7B-chat. The input tokens are randomly sampled from the training data, and the attention heads under observation are also randomly selected. The horizontal axis depicts the input tokens, while the vertical axis represents experts with varying RoPE angles. Due to their distinct functions, each head dynamically chooses different experts to process individual tokens. Input text can be found in Figure 5.

```

... Here's how to retrieve the top tracks of an artist:
```java import
org.apache.http.client.methods.HttpGet; import
org.apache.http.impl.client.HttpClientBuilder;
public class SpotifyAPI { private static final String
ARTIST_ID = "spotify_artist_id"; public static
void main(String[] args) throws Exception { String
accessToken = "your_access_token"; HttpGet
httpGet = new
HttpGet(String.format("https://api.spotify.com/v1/
artists/%s/top-tracks?country=US", ARTIST_ID));
httpGet.setHeader(HttpHeaders.AUTHORIZATIO
N, "Bearer " + accessToken); JSONObject
response = new
JSONObject(EntityUtils.toString(HttpClientBuilde
r.create().build().execute(httpGet).getEntity())); for
(Object trackObj : response...

```

Figure 5: The input text in Figure 4. To clearly display, we only show part of the input text, where the text with a yellow background corresponds to the decoded tokens.

## E Broader impacts and safety issues

Our novel lightweight plug-in approach efficiently enhances the context awareness of open-source LLMs. This advancement holds great promise for enhancing the effectiveness of LLMs across diverse scenarios characterized by extensive and complex contexts, such as RAG, tool utilization, and role-playing. The safety issue of our method mainly comes from the large language models we used, as they might output toxic and biased texts, which is a common safety issue regarding LLM research.