

Magnetization reversal triggered by spin injection in magnetic nanowires

J.-E. Wegrowe^{a)}, D. Kelly, Ph. Guittienne, J-Ph. Ansermet

Institut de Physique Expérimentale, Ecole Polytechnique Fédérale de Lausanne, CH-1015 Lausanne, Switzerland

It is shown that a pulsed current driven through Ni nanowires provokes an irreversible magnetization reversal at a field distant from the spontaneous switching field H_{sw} by ΔH of as much as 40 % of H_{sw} . The state of the magnetization is assessed by magnetoresistive measurements carried out on single, isolated nanowires. The reversible part of the magnetization follows that of a uniform rotation. The switching occurs between the two states accessible otherwise by normal field ramping. ΔH is studied as a function of the angle between the applied field and the wire, and also of the direction of the pulsed current. The results are interpreted in terms of spin-flip transfer from the spin-polarized current to the magnetization, while the switching is approximated by a curling reversal mode.

I. INTRODUCTION

Is it possible to trigger magnetization reversal without the need of a magnetic field? Some recent studies in spin electronics suggest that such an effect may now be evidenced and controlled.

Spin dependent scattering studies emerged with the first realizations of magnetic nanostructures, and gave rise to the discovery of spin injection [1], giant magnetoresistance (GMR) [2] and tunneling magnetoresistance (TMR) [3]. Thanks to the nanoscopic scale of these artificial magnetic systems, the properties of the spins carried by the conduction electrons can be exploited. In particular, the electric response is determined by the magnetization states [4]. This paper addresses the reverse effect, namely the ability of controlling the magnetization states with the spins of the conduction electrons. Some years ago, Berger predicted the existence of phenomena due to the action of spin polarized conduction electrons on domain walls or on spin waves [5] in magnetic thin films. Recently, Slonczewski predicted the rotation of the magnetization due to polarized currents in multilayered systems [6], and Bazaliy et al. derived from microscopic considerations a generalized Landau-Lifshitz-Gilbert (LLG) equation [7]. A macroscopic derivation of the generalized LLG equation based on thermokinetics principles is proposed in reference [8]. From an experimental point of view, Freitas and Berger and Hung and Berger [9] showed the action of a high current density on domain walls in thin films. Recent experiments on nanostructured samples bring new evidence for an interpretation in terms of the action of the spin of the conduction electrons. Tsoi et al. [10] showed the effect of a high current density on spin wave generation in Co/Cu multilayers and Myers et al. reported an effect of current induced switching in magnetic multilayer devices [11]. The effect was evidenced in these two experiments by the observation of peaks and hysteretic behavior of the value of the differential resistance dV/dI . We report here the direct observation of current-induced magnetization reversal, using for this study well defined magnetization states whereas earlier work involved domain wall configurations [12].

II. MEASUREMENTS

The experiments are performed on magnetic nanowires at room temperature. This study focuses on the irreversible part of the hysteresis where the magnetization defines a two state system. The irreversible transition has been largely studied experimentally and theoretically in such microstructures, thanks to a high aspect ratio favoring magnetic single domain configuration [13] [14] [15].

The samples were produced with the method of electrodeposition in track etched membrane templates. Gold layers were sputtered on both sides of a nanoporous membrane and the electrodeposition of Ni were performed. The wires were about 70 nm in diameter and 6000 nm in length. A single contact was obtained by monitoring the potential between both sides of the membrane during the electrodeposition [17]. The wires were characterized by TEM and X-ray diffraction [18].

The consecutive magnetization states of a single Ni nanowire are measured through magnetoresistance curves (Fig. 1) by ramping the field for different values of the angle θ of the applied field with respect to the wire axis. The magnetoresistive curves are measured with a current density of 10^4 A/cm² at a magnetic field sweep rate of 1 mT/s. The anisotropy field calculated from the demagnetizing factors of the wire is about $\mu_0 H_a = 300$ mT. The irreversible part of the hysteresis loop consists simply of two symmetric jumps of the magnetization, one for the decreasing field and one for the increasing field. Magnetic characterizations of electrodeposited Ni nanowires

through AMR measurements were reported in details in [15], [16], [19]. In the case of uniform magnetization, a simple quadratic relation between the magnetoresistance hysteresis loop $R(\vec{H})$ and the magnetic hysteresis loop $M_z(\vec{H})$ holds [20] $R(\vec{H}) = R_0 + \Delta R_{max} \cdot (M_z(\vec{H})/M_s)^2$, where ΔR_{max} is the difference between the resistance with magnetization parallel and magnetization perpendicular to the current and M_s is the saturation magnetization. The calculated curves $R(\vec{H})$ [16], plotted with the experimental data in (Fig. 1), show that the profile of the reversible part of the hysteresis follows that of the uniform rotation. Hence, magnetic inhomogeneities, if any are present, constitute a few percent of the magnetization at most.

The purpose of this work is to know what happens when a pulsed current is injected close to the irreversible part of the hysteresis loop. The following protocol is used: the external field is swept slowly up to a given value of the applied field H close to the regular switching field $H_{sw}(\theta)$ at which the irreversible jump of the magnetization occurs spontaneously. At this fixed field, a pulse of an amplitude of about $I_e \approx \pm 1$ mA (i.e. about $2.6 \cdot 10^7$ A/cm²) and $0.5\mu s$ duration is injected in the wire. The effect of the pulse is to provoke the magnetization reversal from the stable state defined by the applied field H to the next stable state located on the symmetric half-hysteresis loop, i.e. on the branch corresponding to the succession of magnetization states obtained with a decreasing applied field. This protocol is then repeated for other values of H , until a maximum distance $\Delta H_{max} = |H - H_{sw}|$ is reached, beyond which the pulsed current does not affect the magnetoresistive loop any longer. A detailed view of the irreversible part of the loop, measured at $\theta = 65^\circ$ is shown in Fig. 2, (continuous line). The dashed lines show the magnetoresistance with injection of pulsed current at various value of H . This protocol is repeated for different angles of the applied field (Fig. 3), and for the two directions of the pulsed current.

A clear asymmetry is observed between positive and negative currents. There is no noticeable asymmetry with respect to the direction of the external field, that is, for a given sense of the current, the same effect is seen for both branches of the hysteresis loop (the half hysteresis loop with decreasing field and the half hysteresis loop with increasing field). We must attribute [21] this asymmetry of the effect with the current direction to differences in the ends of the nanowires. The ends are indeed morphologically different. The interface at the top of the membrane (where the growth ends) contains the micro-contact. It forms a Ni mushroom-like growth [18] spreading over the 80nm gold layer. The interface at the bottom of the membrane is a 150nm thick gold layer onto which the nucleation occurs during the first stages of the Ni electrodeposition.

III. ORIGIN OF CURRENT-INDUCED MAGNETIC SWITCHING

What is the mechanism responsible for the switching of the magnetization : the field induced by the current, Joule heating, or the effect of spin-polarized currents?

The contribution of Joule heating to ΔH_{max} , through enhancement of the thermal activation, can be estimated to be about 3 mT variation on the switching field (due to a temperature rise of about 10K). But a definitive argument against an interpretation in terms of thermal activation due to Joule heating is the asymmetry observed for the two directions of the current (see Fig. 2 and Fig. 3): the thermal power dissipated in the wire does not depend on the direction of the current whatever the magnetic configurations.

The evaluation of the effect of the circumferential field induced by the pulsed current on the magnetization reversal can be estimated here because the magnetization is uniform before the irreversible jump. The maximum induced field $H_{circ} = \frac{I}{2\pi r}$ A/m is about 5 mT for 80 nm diameter, i.e. about one order of magnitude smaller than the measured effect ΔH_{max} . Beside this evaluation, the experimental argument which invalidates the hypothesis of the induced field comes from the study of ΔH_{max} as a function of the wire diameter in the range 120 nm down to 18nm, for a set of samples with curling-like reversal modes. The maximum of $\Delta H_{max}(\theta)$, of the order of 50 mT for 80 nm diameter, decreases down to about 40 mT for diameters below 40nm at constant current $I=1$ mA (curve not shown in this letter), in contradiction with the behaviour expected for the induced field. Note also that the gradient of such induced field is two orders of magnitude less than the gradient of field in a typical domain wall in nickel.

The most important feature of the measurements shown in Fig. 2 is that for all applied field H the final states after the current pulse are located on the same hysteresis curve (corresponding to uniform configurations as shown in Fig. 1) as in the case of the switch without current pulse. In contrast to our previous study of non-uniform magnetization states [12], the path followed by the magnetization during the current pulse may then be described in three steps. First, the magnetization rotates uniformly from the equilibrium state (e.g. the position $\varphi_0 = 17^\circ$ in Fig. 2) to the critical state (defined by the position $\varphi_c = 32.8^\circ$ in Fig. 2) where the magnetization is no longer stable; second, irreversible magnetization reversal (curling mode); finally, the magnetization rotates down to its equilibrium value defined by the external field, following the back half hysteresis loop.

These observations introduce the question as to how to describe the effect of the spin of the conduction electrons. Due to spin-flip scattering, the spin polarization of the current just before entering a magnetic layer is not equal to the spin polarization of the current inside it. There is clearly no conservation of spin polarization of the current [6], [7]. The generalized Landau-Lifshitz equation with the additional term describing the change in the magnetization due to the spin-flip scattering inside the magnet can be written as, [8],

$$\begin{aligned} \frac{d\vec{M}}{dt} \approx & -g' M_s \left(\vec{M}_0 \times \frac{dV}{d\vec{M}_0} \right) \\ & -h' \left(\vec{M}_0 \times \frac{dV}{d\vec{M}_0} \right) \times \vec{M}_0 + p \frac{g\mu_B \beta I_e \vec{e}_p}{eL} \end{aligned} \quad (1)$$

where the first, second and third term in the right hand side are respectively, the precession term (or transverse relaxation), the longitudinal relaxation term, and the maximum spin injection due to spin polarized conduction electrons. M_0 is the magnetization of the wire without current, L is the length of the wire, e is the electric charge of the electron, β is the bulk conductivity asymmetry [23], p is a geometric factor, and the unit vector \vec{e}_p gives the direction of the spin polarization of the incident current. The phenomenological parameters h' and g' [22] are linked to the gyromagnetic ratio γ and the Gilbert damping coefficient α by the relation $h' = \frac{\gamma\alpha}{(1+\alpha^2)M_s}$ and $g' = \frac{\gamma}{(1+\alpha^2)M_s}$.

In order to estimate the measured parameter ΔH_{max} , we assume a uniform magnetization $\vec{M} \approx M_s \vec{u}$ which defines the unit vector \vec{u} at an angle φ of the wire axis (see Fig. 4). The Gibbs energy density can then be written in the following form :

$$\begin{aligned} V(\varphi, \Psi) = & KS(-\cos^2\varphi - 2h(\cos(\theta)\cos(\varphi) \\ & + \sin(\theta)\sin(\varphi)\cos(\Psi))) \end{aligned} \quad (2)$$

where $h = \frac{H}{H_a}$ is the applied magnetic field normalized to the anisotropy field, $K = \frac{\mu_0}{2} H_a M_s$ is the shape anisotropy, and S the section of the wire and Ψ is the out of plane coordinate of the vector \vec{u} . The cylindrical geometry of the wires implies that $\Psi=0$.

In our experimental protocol, the angle reached by the magnetization during the current pulse is the critical angle φ_c at which the irreversible jump of the magnetization occurs. The maximum distance $\Delta h = h_{sw} - h$ where the jump of the magnetization can still be observed corresponds then to the variation of the angle $\Delta\varphi = \varphi_c - \varphi_0$ needed to shift the magnetization up to the unstable state. The angle φ_0 is given by the equilibrium condition $\left(\frac{dV}{d\varphi}\right)_{\varphi_0} = 0$. For steady states and neglecting the precessional term (low frequency measurements and high damping limit) Eq. (1) and Eq. (2) lead to [8]:

$$\Delta h = h_{sw}(\theta) - \frac{cI_e(\vec{e}_p \cdot \vec{v}) - \sin(2\varphi_c)}{2\sin(\varphi_c - \theta)} \quad (3)$$

where \vec{v} is the polar vector perpendicular to \vec{u} in the $\Psi=0$ plane. The parameter c is defined by the relation

$$c = \frac{p\beta\hbar}{eKv_a\alpha} \quad (4)$$

where the activation volume v_a of magnetization M_s was estimated to be $v_a \approx 10^{-22} m^3$, $K \approx 10^5 J/m^3$ [15], and $p\beta \approx 0.3$ [23], $\alpha \approx 0.07$ [24]. We obtain $c \approx 400 A^{-1}$.

All parameters in Eq. (3) are known if the magnetization reversal mode, which describes the irreversible jump, is known. In some few theoretical models of magnetization reversal [13], the functions $H_{sw}(\theta)$ and $\varphi_c(\theta)$ are analytical. In the framework of the present empirical approach, the experimental data are analysed using the relation deduced from a curling reversal mode [14] [15] :

$$h_{sw}(\theta) = \frac{a(a+1)}{\sqrt{a^2 + (2a+1)\cos^2(\theta)}} \quad (5)$$

The single adjustable parameter $a = -k(R_0/r)^2$ is defined by the geometrical parameter k [13], by the exchange length $R_0 = 20 nm$, [12] and by the radius of the wire r . The fit to the experimental points for $H_{sw}(\theta)$ (Fig. 5) yield $a = -0.15$ (which corresponds to r of about 60 nm). The relation between the angle of the applied field θ and the angle of the magnetization φ^c is:

$$\tan(\theta) = \frac{a+1}{a}\tan(\varphi_c) \quad (6)$$

We assume for reasons of symmetry (which define the demagnetizing field) that \vec{e}_p is in the direction of the wire axis: $\vec{e}_p \cdot \vec{v} = \sin(\varphi_0)$. The curve Δh , evaluated from Eq. (3) by numerical resolution is plotted in Fig. 3, together with the experimental data. The best value of the adjustable parameter c is about $c = 500 \text{ A}^{-1}$, which is in accordance with the rough evaluation of (4). The divergence at 90° is due to the numerical resolution of Eq. (3) (in which numerator and denominator tend to zero). The same fit to the data obtained with the opposite current gives a parameter $c = 200 \text{ A}^{-1}$ (curve not plotted in Fig. 3). The comparison between the data and the model in Fig. 3 shows that the phenomenon occurs as if the magnetization reversal were provoked by the spin transfer from the incident current into the ferromagnet, with a spin polarization in the direction of the wire axis. The observed asymmetry in the sense of the current means that the polarization of the incident current is different if the current flow is oriented from bottom up or from top to bottom.

IV. CONCLUSION

The effect of pulsed current on the irreversible magnetization reversal was measured. The amplitude of the effect is more than a 40 % variation of the switching field. In other words, it corresponds to a change of the orientation of the magnetization more than $\Delta\varphi = 12^\circ$ for a current of about $2.6 \cdot 10^7 \text{ A/cm}^2$. The effect is interpreted in terms of spin flip scattering. The origin of the spin polarization of the current could not be unequivocally evidenced, but the asymmetry with current direction suggests that it was due to the magnetic inhomogeneities at the interfaces. The hysteresis loops show that these inhomogeneities represent less than 2 % of the total magnetization. The amplitude of the observed effect and its dependence on the orientation of the wire in the magnetic field are in accordance with a model of magnetization reversal provoked by a transfer of moments from the spin polarized current into the magnetic wire.

^{a)} e-mail:jean-eric.wegrowe@epfl.ch

- [1] M. Johnson and R. H. Silsbee, Phys. Rev. Lett. **55**, 1790 (1985) and M. Johnson and R.H. Silsbee Phys. Rev. B **37**, 4959 (1987).
- [2] M. N. Baibich, J. M. Broto, A. Fert, F. Nguyen Van Dau, F. Petroff, Phys. Rev. Lett. **61**, 2472,(1988) and G. Binash, P. Grünberg, F. Saurenbach, W. Zinn, Phys. Rev. B **39**, 4828 (1989)
- [3] J. S. Moodera, L.R. Kinder, T. M. Kinder T. M. Wing, R. Maservey, Phys. Rev. Lett. **74**, 3273 (1995).
- [4] G.A. Prinz Magnetolectronics, Science 282 (1998), 1660
- [5] L. Berger J. Appl. Phys. **55**, 1954 (1984) and L. Berger Phys. Rev. B **54**,9353 (1996) and J. Appl. Phys. **81**,4880 (1997)
- [6] C. Slonczewski, J. Magn. Magn. Mat. **159**, L1 (1996) and J. Magn. Magn. Mat. **195**, L261 (1999)
- [7] Ya. B. Bazaliy, B. A. Jones, Shou-Chen Zhang, Phys. Rev. B **57**, R3213 (1998).
- [8] J.-E. Wegrowe, Phys. Rev. B **62**, 1067 (2000).
- [9] P.P. Freitas, L. Berger, J. Appl. Phys. 57 (1985), 1266, C.-Y. Hung, L. Berger, J. Appl. Phys. **63**, 4276 (1988) and E. Salhi and L. Berger, J. Appl. Phys. **76**, 4787 (1994).
- [10] M. Tsoi, A.G. M. Jansen, J. Bass, W.-C. Chiang, M. Seck, V. Tsoi, P. Wyder, Phys. Rev. Lett. **80**, 4281 (1998).
- [11] E.B. Myers, D.C. Ralph, J.A. Katine, R.N. Louie, R.A. Buhrman, Science **285**, 867 (1999) and J.A. Katine, F. J. Albert, R.A. Buhrman, E.B. Myers and D.C. Ralph, Phys. Rev Lett. **84**, 3149 (2000).
- [12] J-E Wegrowe, D. Kelly, Y. Jaccard, Ph. Guittienne, J-Ph Ansermet, Europhys. Lett. **45**, 626 (1999).
- [13] A. Aharoni J.Appl.Phys. **10**, 70S (1959) and "Introduction to the theory of Ferromagnetism", Clarendon press, Oxford 1996 and references therein
- [14] W. Wernsdorfer et al. Phys. Rev. Lett. **77**, 1873 (1996), W. Wernsdorfer et al. Phys. Rev. B **55**, 11552 (1997) and [18]
- [15] J.-E. Wegrowe, D. Kelly, A. Franck, S. E. Gilbert, J.-Ph. Ansermet, Phys. Rev. Lett. **82**(18), 3681 (1999).
- [16] Y. Jaccard, Ph. Guittienne, J-E. Wegrowe, D. Kelly, J-Ph Ansermet, Phys. Rev. B **62**, 1141 (2000).
- [17] J.-E. Wegrowe, S. E. Gilbert, V. Scarani, D. Kelly, B. Doudin, J.-Ph. Ansermet, IEEE Trans. Magn. **34**, 903 (1998).
- [18] J. P. Meier, PhD thesis, EPFL 1997, Switzerland and J. Meier, B. Doudin. J-Ph. Ansermet, J. App. Phys. **79**, 6010 (1996)
- [19] R. Ferré, K. Ounadjela, J. M. George, L. Piraux and S. Dubois, Phys. Rev. B **56**, 14066 (1997).
- [20] Th. G. S. M. Rijks, R. Coehoorn, M. J. M. de Jong, W. J. M. de Jonge, Phys. Rev. B **51**, 283 (1995) and T. R. McGuire and R. I. Potter, IEEE Trans. Magn. **MAG-11**, 1018 (1975)

- [21] If the wires were perfect cylinders with identical ends, the symmetries of the system would impose that one has to reverse the sense of the current when reversing the field ramp in order to get the same effect.
- [22] W. T. Coffey, Yu. P. Kalmykov, J. T. Waldron, "The Langevin equation", World Scientific Series in contemporary Chemical Physics Vol. 11, 1996 (page 337)
- [23] J.-Ph. Ansermet, J. Cond Matt. **10**, 6027 (1998)
- [24] W. T. Coffey, D.S.F. Crothers, J. L. Dormann, Yu. P. Kalmykov, E.C. Kennedy, W. Wernsdorfer, Phys.Rev.Lett. **80**, 5655 (1998).

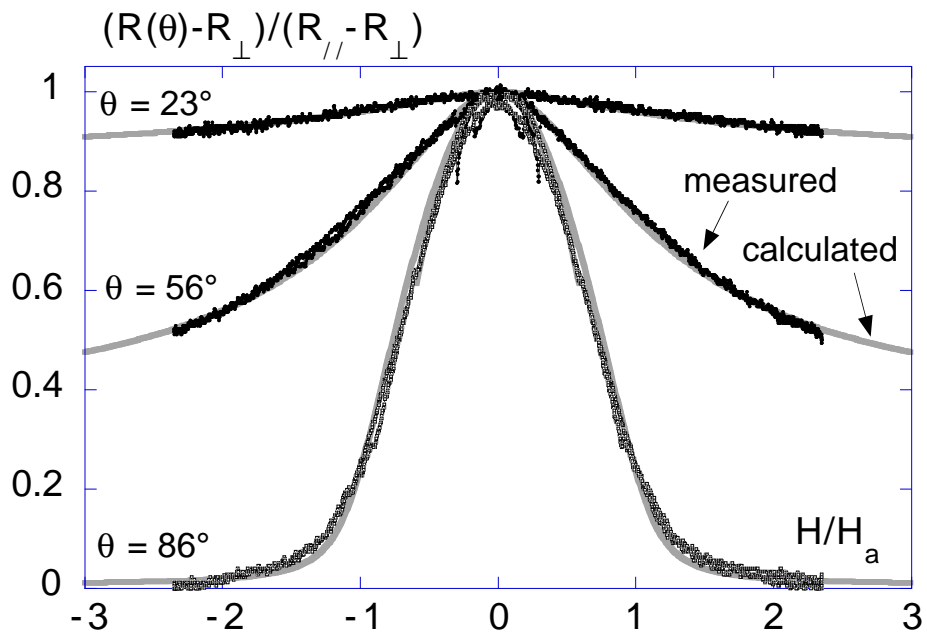


FIG. 1. Anisotropic magnetoresistance measured with a current of about 10^4 A/cm^2 , at different angle θ of the applied field. Grey lines are calculated curves assuming uniform magnetization. R_{\parallel} is the resistance with the magnetization parallel to the current, R_{\perp} is the resistance with the magnetization perpendicular to the current. $\mu_0 H_a = 300 \text{ mT}$.

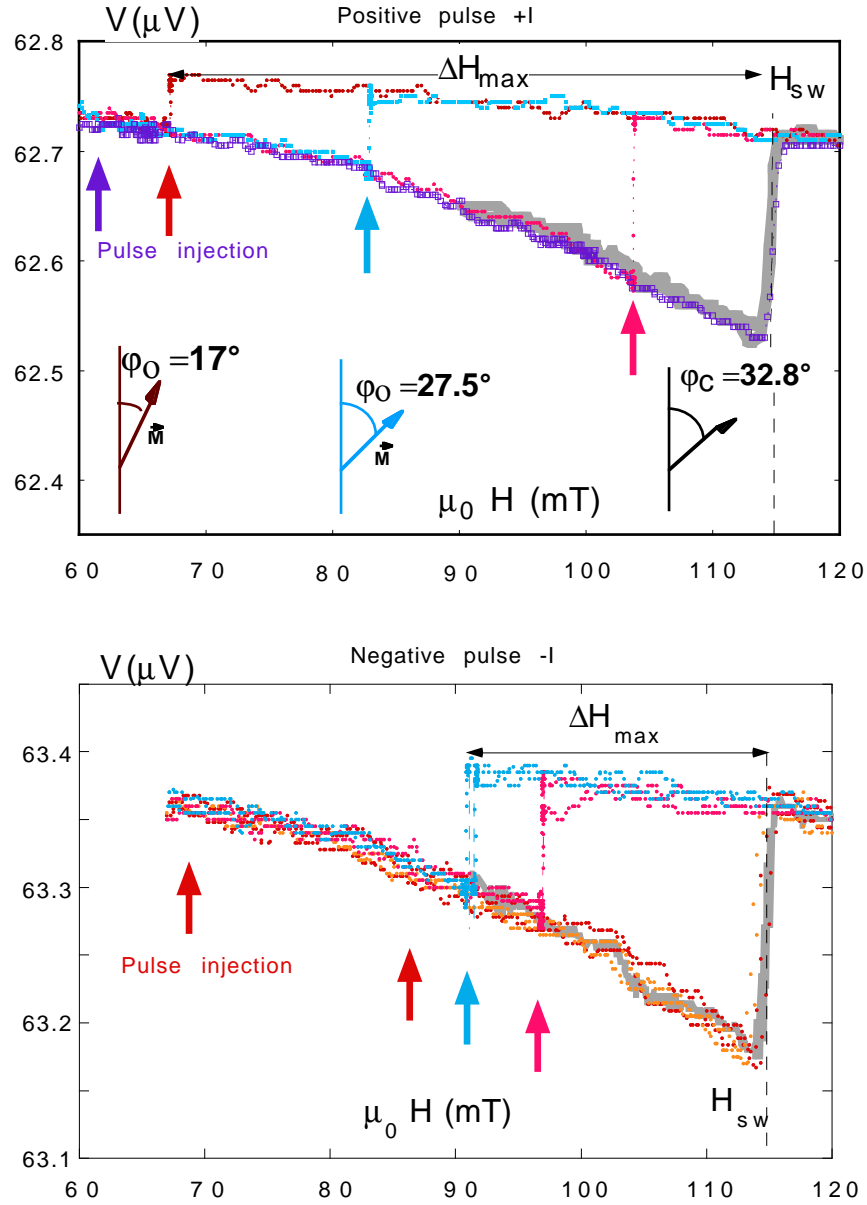


FIG. 2. Irreversible part of the magnetoresistance measured with 10^4 A/cm^2 reading current (grey line) at 65° for the two directions of the pulsed current. Pulsed current of $2.6 \cdot 10^7 \text{ A/cm}^2$ amplitude and $0.5 \mu\text{sec}$ duration are injected at various applied field H , inducing a jump of the magnetization. Above ΔH_{max} , there is no more effect of the pulsed current, and the magnetoresistance follows the regular curve without pulse. (a) Current +I. Three configurations of the magnetization, defined by the angle φ_0 , are sketched, up to the critical angle φ_c where the magnetization is no more stable. (b) Opposite current.

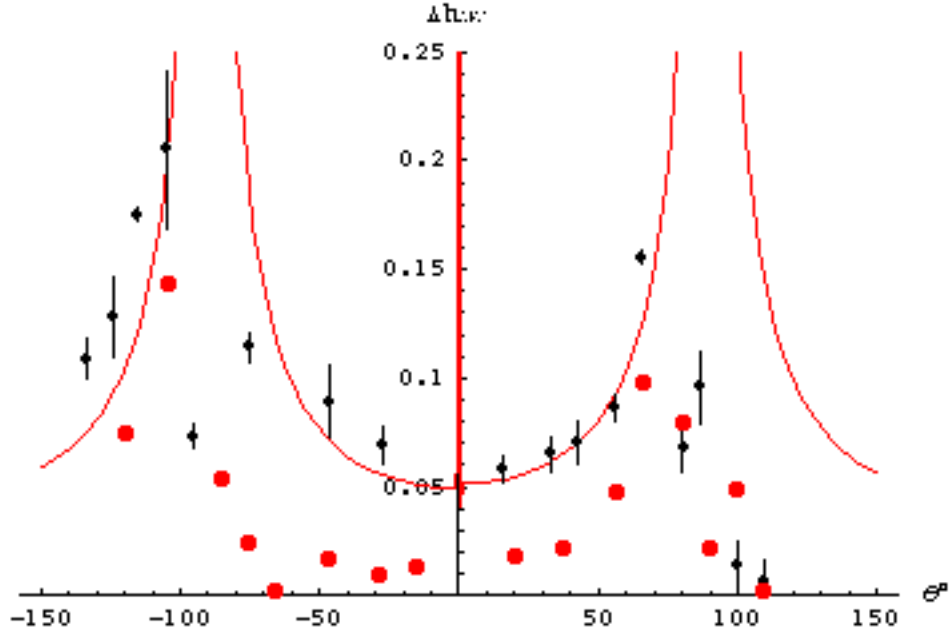


FIG. 3. Angular dependence of the parameter $\Delta h = \Delta H_{max}(\theta)/H_a$ for pulsed current of $\pm 1mA$ (about $2.6 \cdot 10^7 A/cm^2$). Small dots with error bars: positive current. Grey points: negative current. The curve is given by the Eq. (3) of the text, with $c = 500 A^{-1}$.

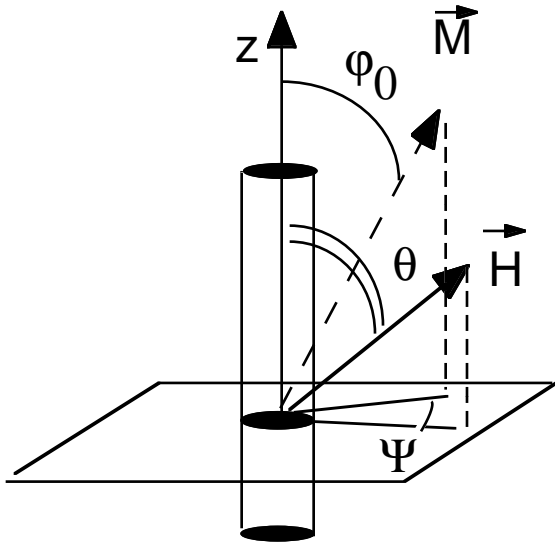


FIG. 4. Uniform magnetization and the magnetic field in the case of uniaxial anisotropy: definition of the angles.

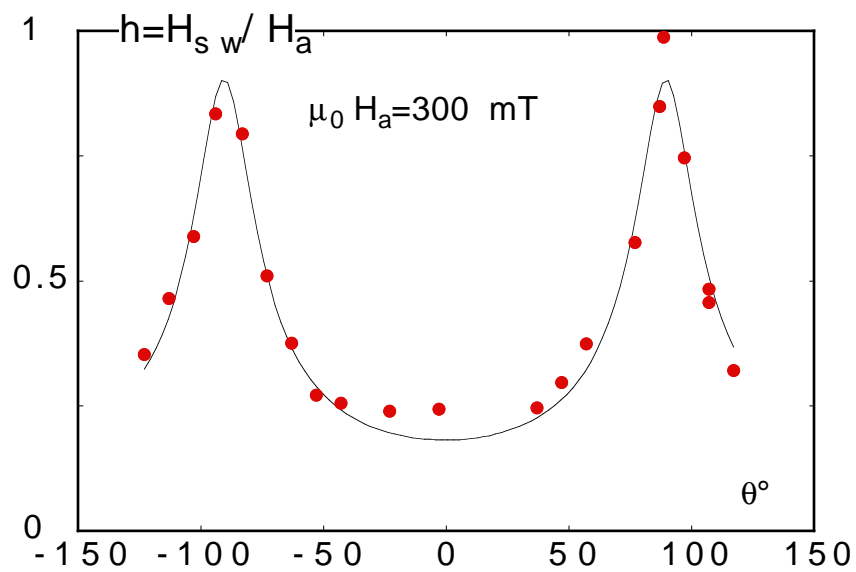


FIG. 5. Circles: measured position of the switching field H_{sw} for different angle of the applied field. Line: One parameter fit with the curling formula Eq. (5).