

BX-4UT4TR Temperature Combo

4-pt. Universal Temperature Input,
4-pt. Relay Form A (SPST) Output

I/O Terminal Blocks included. (See Terminal Block Connector Spec. table inside).
Not compatible with the ZIPLink Wiring System

General Specifications	
Operating Temperature	0° to 60° C (32° to 140° F)
Storage Temperature	-20° to 85° C (-4° to 185° F)
Humidity	5 to 95% (non-condensing)
Environmental Air	No corrosive gases permitted
Vibration	IEC60068-2-6 (Test Fc)
Shock	IEC60068-2-27 (Test Ea)
Enclosure Type	Open Equipment
Agency Approvals	UL61010-2 - UL File # E185989 Canada and USA CE Compliant EN61131-2*
Noise Immunity	NEMA ICS3-304
EU Directive	See the "EU Directive" topic in the Help File
Heat Dissipation	3.6W
Weight	98g (3.5 oz)
Software Version	Do-more! Designer 2.7 or later

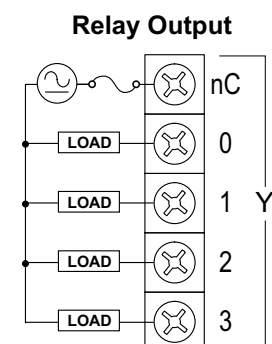
*Meets EMC and Safety requirements. See the D.O.C. for details.

Terminal Block Connector Specifications			
Part Number	BX-RTB10 (Included)	BX-RTB10-1*	BX-RTB10-2*
Connector Type	Screw Type-90°	Spring Clamp Type-180°	Screw Type-180°
Pitch	3.81mm	3.81mm	3.81mm
Recommended Screw torque	<1.77 lb-in (0.2 N-m)	N/A	<1.77 lb-in (0.2 N-m)
Screwdriver Blade Width	2.5mm	2.5mm	2.5mm
Equiv. Dinkle part #	EC381V-10P-BK	ESC381V-10-BK	EC381F-10P-BK

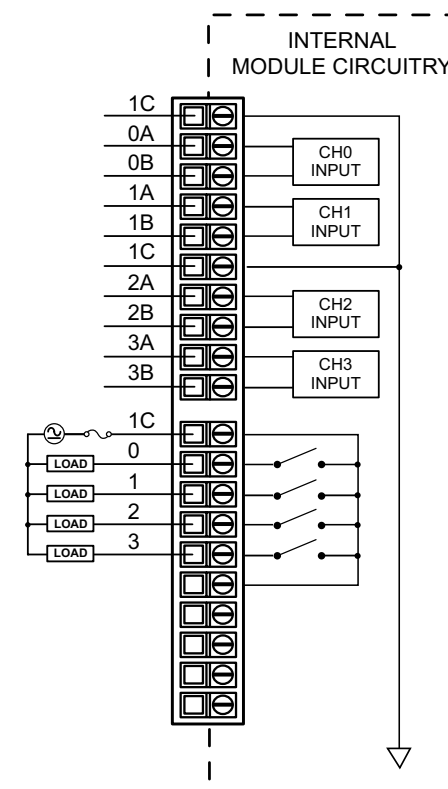
*Sold separately

NOTE: This module is not compatible with Ziplink wiring solutions.

(TR) Voltage Relay Output Specifications	
Outputs per Module	4
Commons	1
Maximum Current per Common	8A
Nominal Voltage	5-48VDC, 24-240VAC
Operating Voltage Range	5-60VDC, 18-264VAC
Peak Voltage	60 VDC, 264VAC
Minimum Output Current	0.1mA @24VDC
Maximum Output Current	2A
Maximum Inrush Current	5A for 50ms
Maximum Leakage Current	1µa
ON Voltage Drop	0.2Vmax
ON-OFF Response	< 10ms
OFF-ON Response	< 10ms
Fuses	N/A
Relay Cycle Life	
Mechanical Endurance	5 Million Operations
Electrical Endurance	120,000 Operations
Status Indicators	Logic Side, Green



I/O Wiring



WARNING: To minimize the risk of potential safety problems, you should follow all applicable local and national codes that regulate the installation and operation of your equipment. These codes vary from area to area and it is your responsibility to determine which codes should be followed, and to verify that the equipment, installation, and operation are in compliance with the latest revision of these codes.

Equipment damage or serious injury to personnel can result from the failure to follow all applicable codes and standards. We do not guarantee the products described in this publication are suitable for your particular application, nor do we assume any responsibility for your product design, installation, or operation.

If you have any questions concerning the installation or operation of this equipment, or if you need additional information, please call Technical Support at 770-844-4200.

This publication is based on information that was available at the time it was printed. At AutomationDirect.com® we constantly strive to improve our products and services, so we reserve the right to make changes to the products and/or publications at any time without notice and without any obligation. This publication may also discuss features that may not be available in certain revisions of the product.

Do-more BRX Manual available at
<http://www.automationdirect.com/pn/doc/manual/BX-USER-M>



IMPORTANT!



Hot-Swapping Information

Note: This device cannot be Hot Swapped.

Document Name	Edition/Revision	Date
BX-4UT4TR	1st Ed. RevA	1/25/2021

Copyright 2021, AutomationDirect.com Incorporated/All Rights Reserved Worldwide.

Thermocouple Data Range Specifications

Thermocouple Selection	Temperature Range	Resolution			
	Degrees	WXn	RXn		
Type J	-210 to 1200 °C -346 to 2192 °F	Degrees x10 (One Implied Decimal) ¹	24 Bit Floating ¹		
Type K	-265 to 1372 °C -445 to 2502 °F				
Type E	-265 to 1000 °C -445 to 1832 °F				
Type N	-265 to 1300 °C -445 to 2372 °F				
Type R	- 50 to 1768 °C - 58 to 3214 °F				
Type S	- 50 to 1768 °C - 58 to 3214 °F				
Type B	40 to 1820 °C 104 to 3308 °F ³				
Type T	-265 to 400 °C -445 to 752 °F				
Voltage Selection	Voltage Range			WXn ²	RXn
-31.25 to 31.25 mVDC	Bipolar 31.25mVDC			1.0 µV per Count	User Scaled
-31.25 to 62.5 mVDC	Bipolar 62.5 mVDC	1.9 µV per Count			
-31.25 to 125 mVDC	Bipolar 125 mVDC	3.8 µV per Count			
0 to 1.0 VDC	Unipolar 1.0 VDC	30.5 µV per Count			
Maximum Inaccuracy for Thermocouples		±(0.2°C+0.3% of °C reading)			
Cold Junction Compensation		Automatic			
Thermocouple Linearization		Automatic			
Maximum Inaccuracy for Voltage Inputs		±250µV			

¹Temperatures reported in rounded integer to WXn and also as scaled floating point 24bits resolution to RXn
²Raw Counts = -32768 to 32767
³Max value displayed in WXn is 32767. RXn will display the full range of 3308.0

Thermistor Data Range Specifications

Thermistor Selection	Degrees	WXn	RXn
Thermistor 2.252kΩ @25°C	-40 to 150 °C -40 to 302 °F	Degrees x10 (One Implied Decimal) ¹	24 Bit Floating ¹
Thermistor 3kΩ @25°C	-40 to 150 °C -40 to 302 °F		
Thermistor 5kΩ @25°C	-40 to 150 °C -40 to 302 °F		
Thermistor 110k-AN Type 3 @25°C	-40 to 150 °C -40 to 302 °F		
Thermistor 30kΩ @25°C	-40 to 150 °C -40 to 302 °F		
Thermistor Linearization	Automatic		
Thermistor Excitation Current	NTC 2.252k	10µA	
	NTC 3k	10µA	
	NTC 5k	5µA	
	NTC 10k	5µA	
	NTC 30k	1µA	
Maximum Inaccuracy for Thermistors	±0.2°C		

¹Temperatures reported in rounded integer to WXn and also as scaled floating point 24bits resolution to RXn

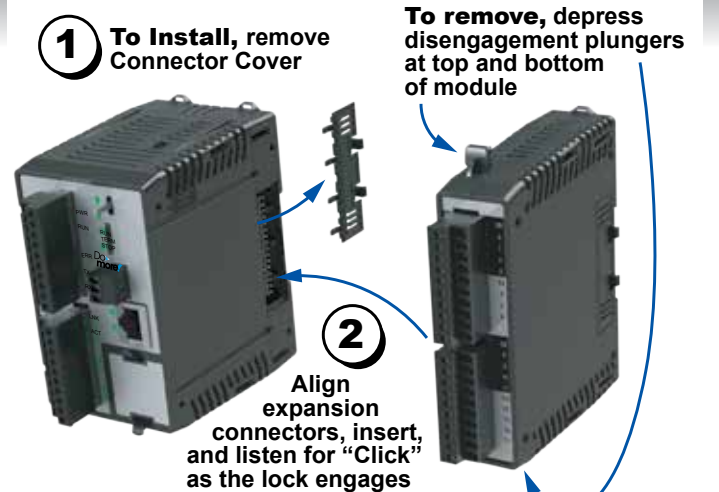
Universal Temperature Input Specifications

Input Channels	4 Differential
Commons	1
Input Impedance	>5MΩ
Resolution	24-bit, ±0.1° (C or °F)
All Channel Update Rate	1s max (4 thermocouples enabled) 700ms max (4RTD/NTC/mV enabled)
Sample Duration Time	175ms
Open Circuit Detection Time	Within 5s
Maximum Ratings	-0.3V to +5.3V, <15mA
Common Mode Range	-0.3V to +5.3V
Common Mode Rejection	100dB @ DC and 130dB @ 60Hz
Conversion Method	Sigma-Delta, 24-bit
Backplane Power Consumption	2.5W

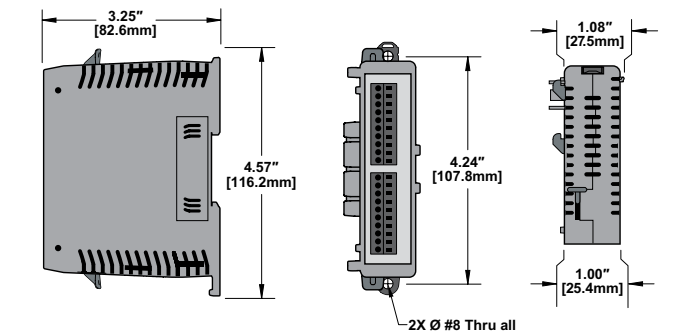
RTD Data Range Specifications

RTD Type	Degrees	1 degree Integer	24 Bit Floating
10, 50, 100, 200, 500, 1000Ω Pt	-200 to 850°C -328 to 1562 °F	WXn	RXn
Platinum RTD 0.00385 European Curve			
120Ω Ni	-80 to 260 °C -112 to 500 °F	WXn	RXn
Ni120 Nickel RTD 0.00672 Curve			
Maximum Inaccuracy for RTDs	±0.2°C		
RTD Linearization	Automatic		
RTD Excitation Current	RTD 10, 100, 120, 200	1mA	
	RTD 500	500uA	
	RTD 1000	250uA	

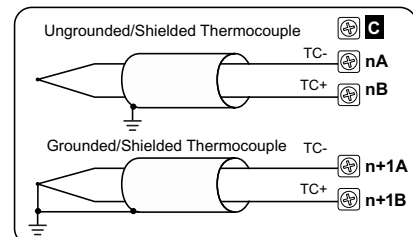
Module Installation



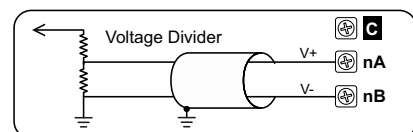
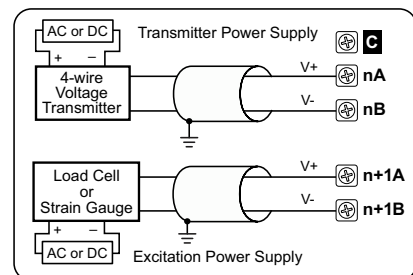
Dimensional Information



Thermocouple and Voltage Source Wiring

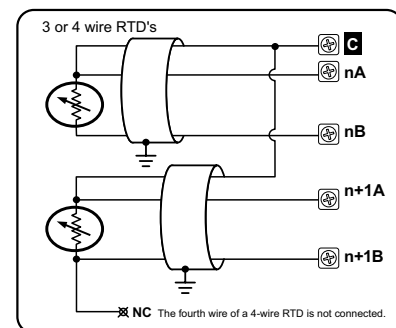
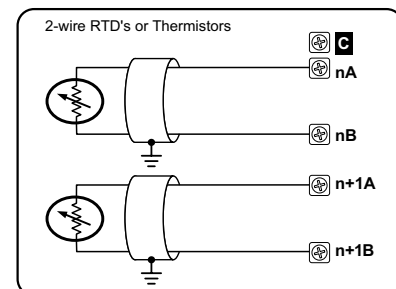


NOTE: Thermocouple extension wire and proper thermocouple terminal blocks must be used to extend thermocouples. AutomationDirect thermocouple wire is recommended.

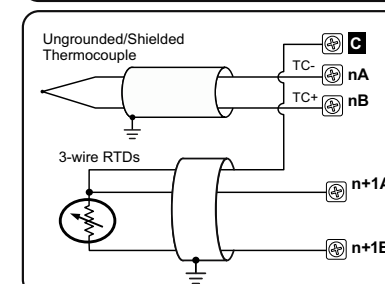
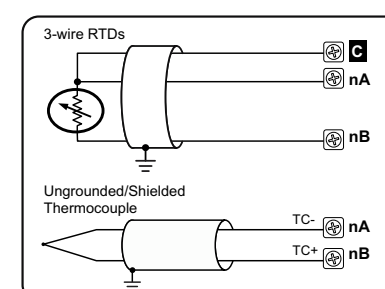


NOTE: Shield should be connected only at one end, to ground at the source device. For maximum accuracy, Jumper unused inputs.

RTD/Thermistor Wiring



Mixed Resistive and Thermocouple Wiring

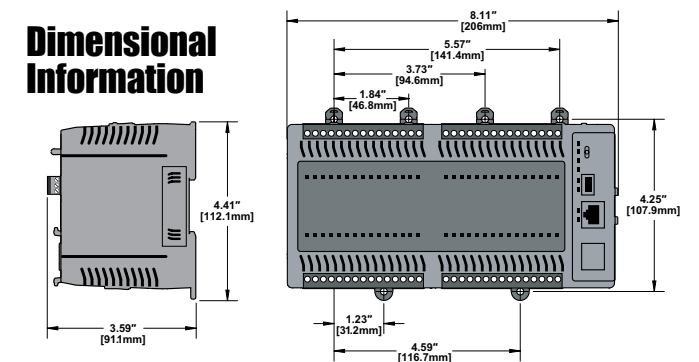


Notes for maximum accuracy:

- All wires to an RTD must be equal length and type. Refer to RTD manufacturer's recommendations.
- Do not use cable shield as sensing wire.
- When applicable, connect shield to RTD common only, otherwise connect to module common only. Do not connect shield to both ends.
- Jumper unused inputs.



Dimensional Information



Mounting Restrictions

