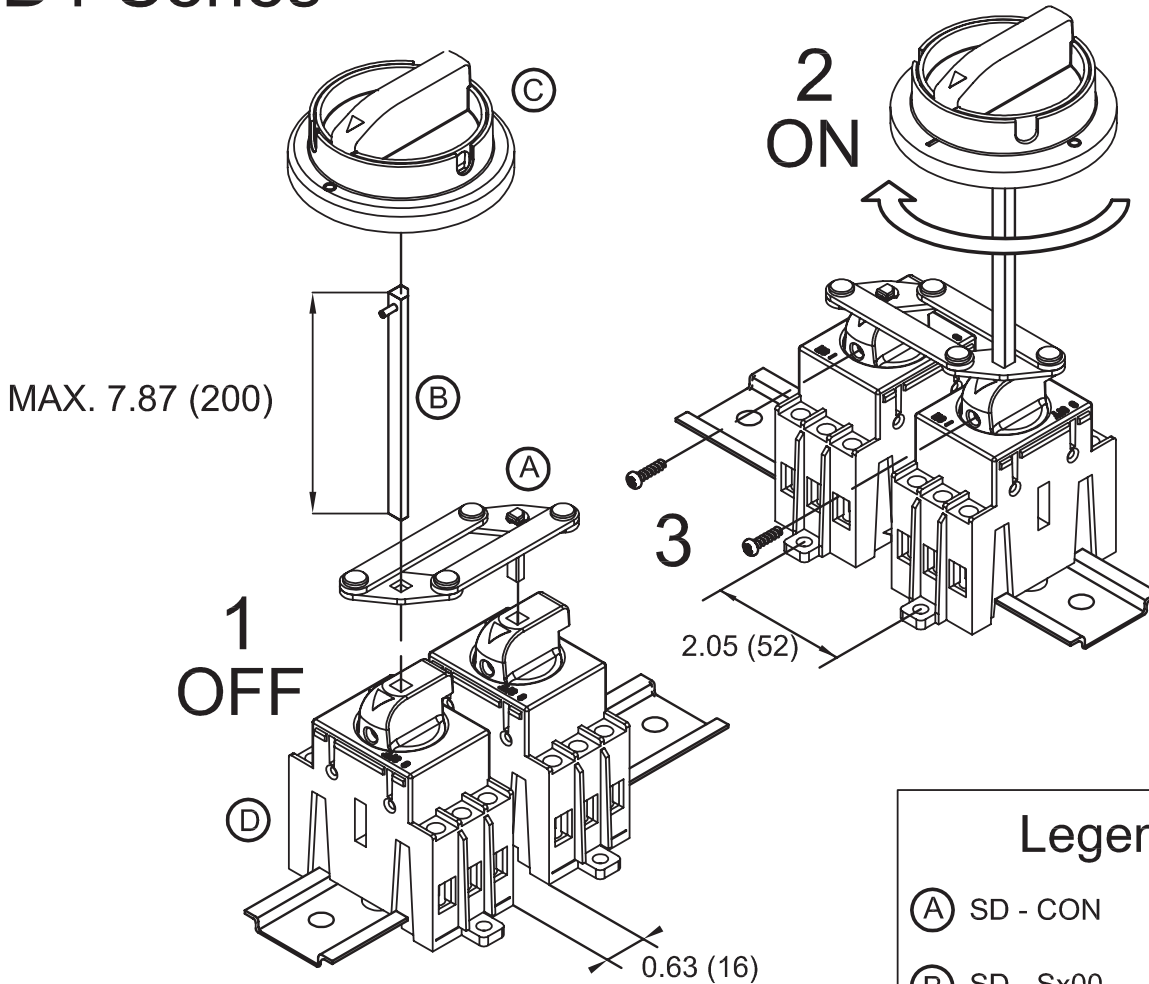


SD1/SD2 SERIES NON-FUSED DISCONNECT MOUNTING INSTRUCTIONS FOR 6-8 POLES

SD1 Series

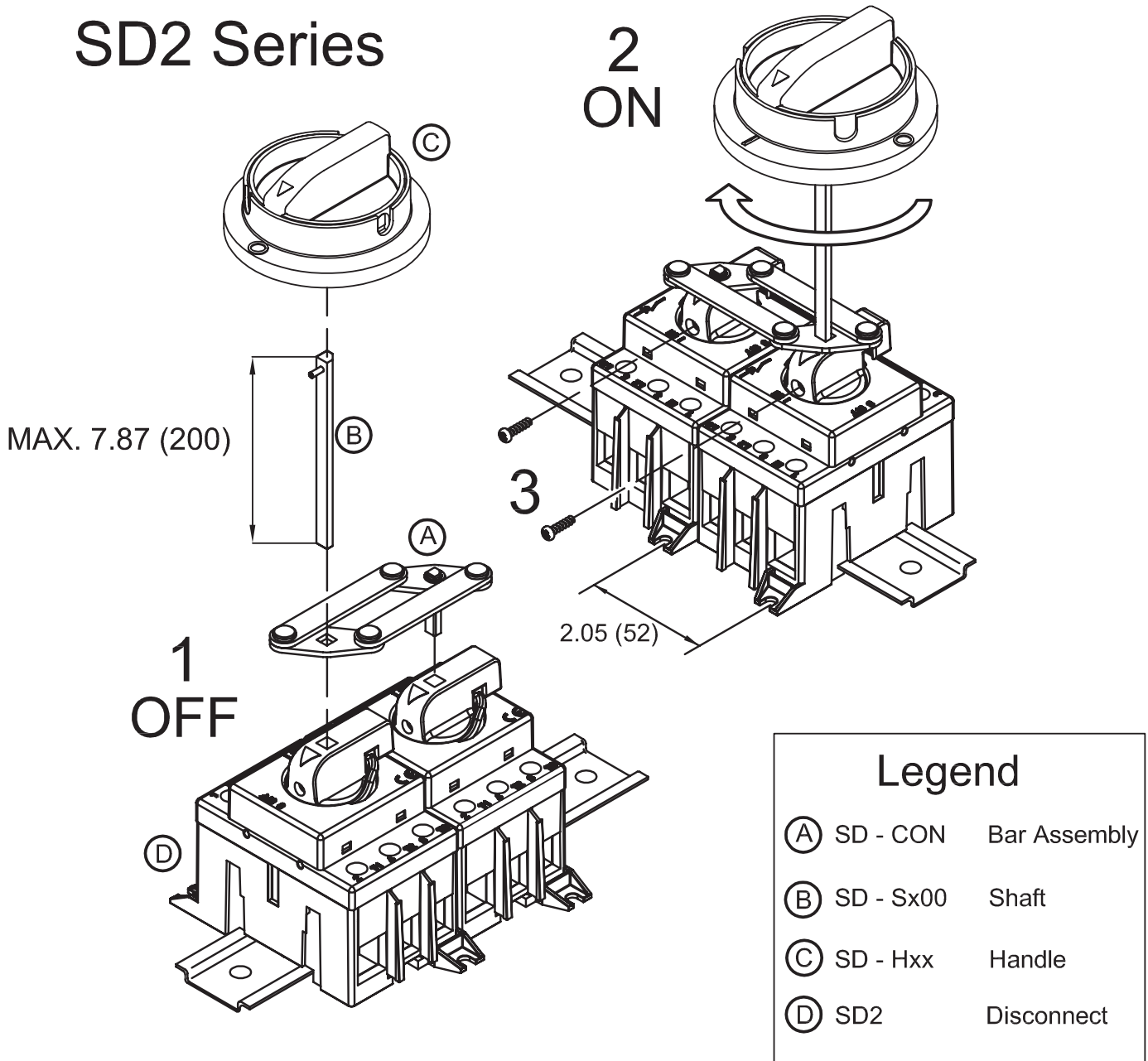


| Legend | |
|--------|-----------------------|
| (A) | SD - CON Bar Assembly |
| (B) | SD - Sx00 Shaft |
| (C) | SD - Hxx Handle |
| (D) | SD1 Disconnect |

Note: dimensions in inches(mm)

SD1/SD2 SERIES Non-FUSED DISCONNECT MOUNTING INSTRUCTIONS FOR 6-8 POLES

SD2 Series



www.automationdirect.com

Note: dimensions in inches(mm)