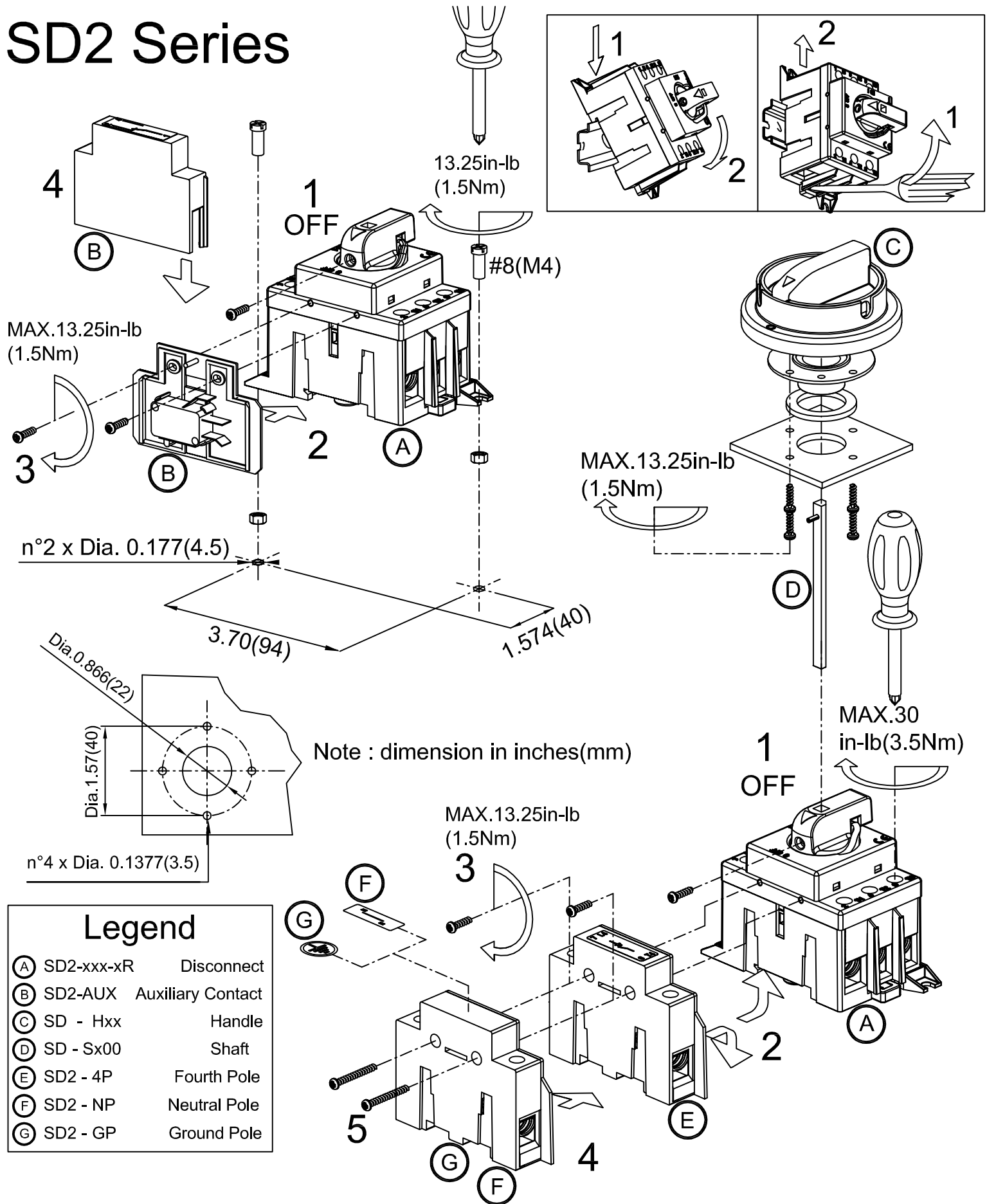


SD2 Series



Legend	
(A)	SD2-xxx-xR Disconnect
(B)	SD2-AUX Auxiliary Contact
(C)	SD - Hxx Handle
(D)	SD - Sx00 Shaft
(E)	SD2 - 4P Fourth Pole
(F)	SD2 - NP Neutral Pole
(G)	SD2 - GP Ground Pole

Terminal tightening Torque 30 in.lb (3.5Nm) 60°/75°C copper conductor. Wire ranges 6-1 AWG Suitable for use on a circuit capable of delivering not more than 5000A RMS symmetrical amperes, 600V AC maximum, when protected by fuses only, RK5 class fuses (current limiting time delay) rated max 600V AC 125A 200KA AIC.

Min. enclosure size :142mm x 185mm x 122mm