

ACCESSORIES



APPENDIX

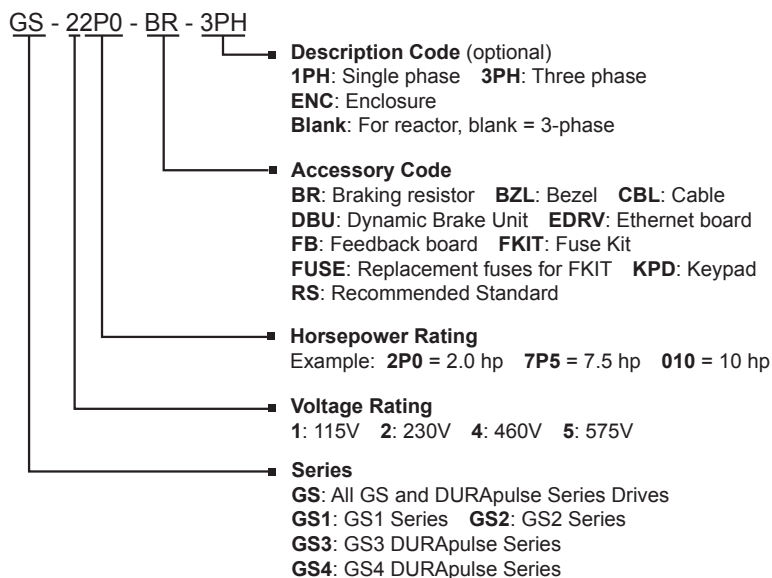
A

CONTENTS OF THIS CHAPTER

<i>Accessories Part Numbering</i>	A-2
<i>Line Reactors</i>	A-2
<i>Line Reactor Specifications – LR(2) Series</i>	A-3
<i>Line Reactor Dimensions – LR(2) Series</i>	A-4
<i>Line Reactor Applications and Connections</i>	A-10
<i>Drive Output Filter</i>	A-13
<i>Drive Output Filter Dimensions – VTF Series</i>	A-14
<i>RF Filter</i>	A-15
<i>RF Filter Dimensions</i>	A-15
<i>RF Filter Wiring</i>	A-15
<i>Fuses and Fuse Kits</i>	A-16
<i>Fuse Block Dimensions</i>	A-16
<i>Fuse Block Single-Phase 115VAC Wiring</i>	A-16
<i>Ethernet Interface</i>	A-17
<i>ZIPLink™ Cables for RS-485 Modbus RTU</i>	A-18
<i>GS Drive Configuration Software</i>	A-19
<i>Software Functions</i>	A-19
<i>System Requirements</i>	A-19
<i>Configuration Cable</i>	A-19

ACCESSORIES PART NUMBERING

With the exception of EMI filters, RF filters, and LR series line reactors, each accessory part number begins with GS, followed by the AC Drive rating, and then the relevant accessory code. Following the accessory code, you will find a description code when applicable. The diagram below shows the accessory part numbering system.



LINE REACTORS

Input line reactors protect the AC drive from transient overvoltage conditions typically caused by utility capacitor switching. Input line reactors also reduce the harmonics associated with AC drives, and are recommended for all installations.

Output line (load) reactors protect the motor insulation against AC drive short circuits and IGBT reflective wave damage, and also allow the motor to run cooler by “smoothing” the motor current waveform. They are recommended for operating “non-inverter-duty” motors, and for any motors where the length of wiring between the AC drive and motor is less than or equal to 100 feet. For AC drive-to-motor wiring distances over 100 feet, use of the VTF series output filter is recommended.

There are two types of AutomationDirect line reactors that can be used with GS1 AC Drives:

- 1) the original GS series reactors (legacy),
- 2) and the newer LR(2) series reactors.

LR(2) series reactors have differing mounting options depending on the model. Some have universal mounting feet with multiple slots, while others have direct bolt on or optional accessories for mounting. Review the specific mounting for each model.

LINE REACTOR SPECIFICATIONS – LR(2) SERIES

Line Reactors – LR(2) Series										
Part Number	Dimension Drawing #	Rated Amps	Imped -ance	Watt Loss	System Voltage ⁽¹⁾	Phase – Use ⁽¹⁾	GS1 Drive Model	Drive HP		
LR-10P2-1PH ⁽²⁾⁽³⁾	1	5.8	3%	8.0	120	1 – In	GS1-10P2	0.25		
LR2-10P2-1PH ⁽²⁾	13	10		21						
LR-10P5-1PH ⁽²⁾⁽³⁾	1	9.8		11.7	240	1 – In	GS1-10P5	0.5		
LR2-10P5-1PH ⁽²⁾	13	12		29						
LR-20P5-1PH ⁽²⁾⁽³⁾	1	4.9		11.2	208/240	1 – In	GS1-20P2	0.25		
LR2-20P5-1PH ^{(2) (4)}	17	7.6		39						
LR-20P5 ⁽³⁾	3	2.4		7	208/240	240	3 – Out	GS1-10P2		0.25
	LR2-20P5 ⁽⁴⁾	16								
							3 – I/O	GS1-10P5		0.5
								GS1-20P2		0.25
								GS1-20P5		0.5
LR-21P0-1PH ⁽²⁾	1	8		15.9	240	1 – In	GS1-21P0	1		
LR-21P0 ⁽³⁾	3	4.6	11	208/240	3 – I/O					
LR2-21P0 ⁽⁴⁾	17	11.6	64	240						
LR-22P0-1PH ⁽²⁾	2	12	24.3	240	1 – In	GS1-22P0	2			
LR-22P0 ⁽³⁾	3	7.5	21	208/240	3 – I/O					
LR2-22P0 ⁽⁴⁾	17	11.6	64	240						

- 1) Use (side of drive): In = input only; Out = output only; I/O = input or output.
 GS1-1xxx drives require 115V class input line reactors and 230V class output line reactors.
 2) Single-phase line reactors are used only on the input side of GS1-1xxx drives. Single-phase line reactors should NOT be installed on the output side of AC drives.
 3) This reactor is recommended for existing installations only; product will be discontinued after existing stock is depleted.
 4) Optional mounting accessories are available for these models. See "LR2 Series Line Reactor Mounting Adapters" (below).

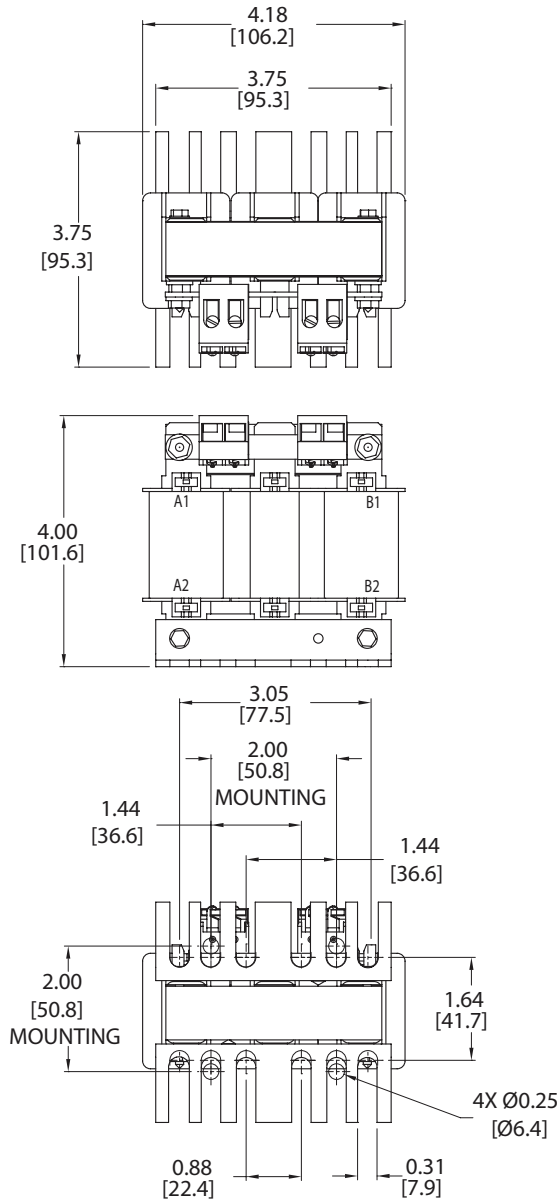
Part Number (repeated)	Wire Range (AWG)	Terminal Torque (lb·in)	Fasteners	Temperature Range		Environment
				Operating	Storage	
LR-10P2-1PH	18-12	10	#6-32x5/16in flathead screw	-40 – 104 °F [-40 – 40 °C]	-40 – 149 °F [-40 – 65 °C]	NEMA: open IP00 no corrosive gases
LR-10P5-1PH			#6-32x5/16in flathead screw			
LR-20P5-1PH						
LR-20P5						
LR-21P0-1PH						
LR-21P0		20				
LR-22P0-1PH		10				
LR2-10P2-1PH	18-12	10	6/40 x 5/16 flathead	104° [40°C] max		
LR2-10P5-1PH						
LR2-20P5-1PH						
LR2-20P5	22-12	9	n/a - captive	122°F [50°C] max		
LR2-21P0						
LR2-22P0						

LR2 Series Line Reactor Mounting Adapters		
Part Number	Description	Dimension Drawing
LR2-AP1	Adapter Plate Kit; includes 2 flange nuts (10-32); Dimensions 4.45" x 2.63"	16a
LR2-AP2	Adapter Plate Kit; includes 2 flange nuts (10-32); Dimensions 4.45" x 3.51"	16b
LR2-DR1	DIN Rail Mounting Clips and Hardware Kit; includes 2 screws (M5-0.8 x 8mm), 2 washers, 2 clips	16c
LR2-DR2	DIN Rail Mounting Plate and Hardware Kit; includes 4 bolts (0.25-20 x 0.50) and 4 flange nuts	17a

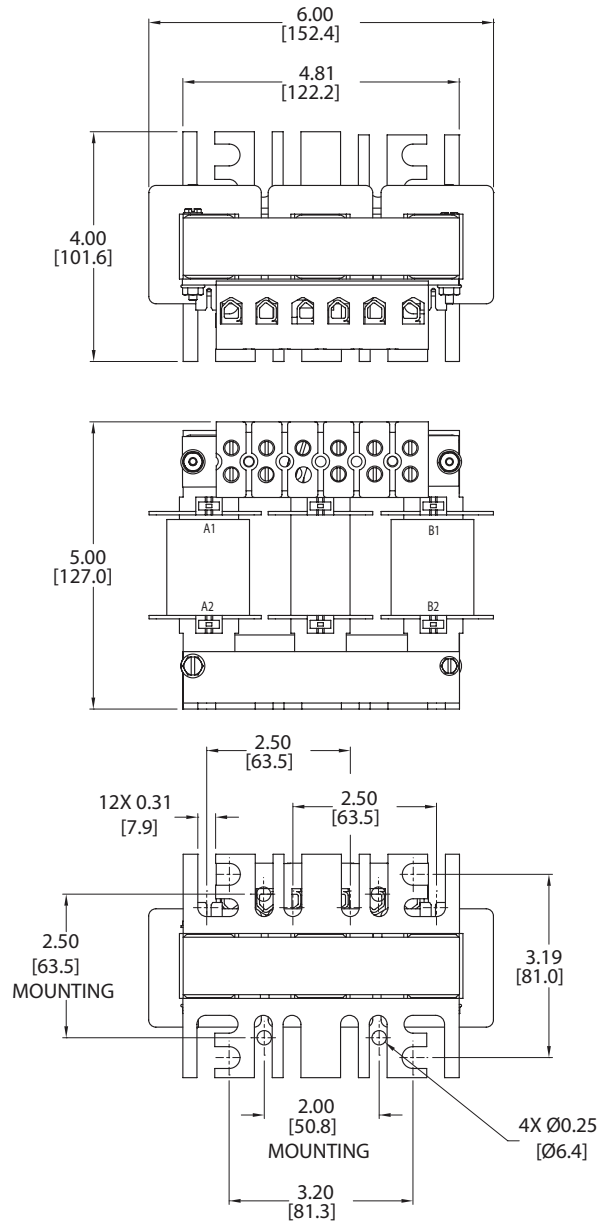
LINE REACTOR DIMENSIONS – LR(2) SERIES

(UNITS = IN [MM]) SEE OUR WEBSITE: WWW.AUTOMATIONDIRECT.COM FOR COMPLETE ENGINEERING DRAWINGS

1) LR(2) Line Reactors Dimension Drawing #1
 LR-10P2-1PH, LR-10P5-1PH, LR-20P5-1PH, LR-21P0-1PH



2) LR(2) Line Reactors Dimension Drawing #2
 LR-22P0-1PH



LINE REACTOR DIMENSIONS – LR(2) SERIES

(UNITS = IN [MM])

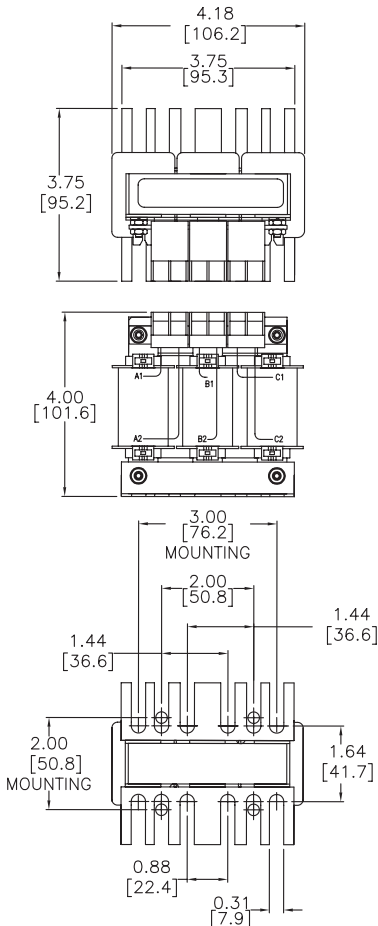
SEE OUR WEBSITE: WWW.AUTOMATIONDIRECT.COM FOR COMPLETE ENGINEERING DRAWINGS

4) LR(2) Line Reactors Dimension Drawing #4 through
12) LR(2) Line Reactors Dimension Drawing #12

not applicable for GS1 AC Drives

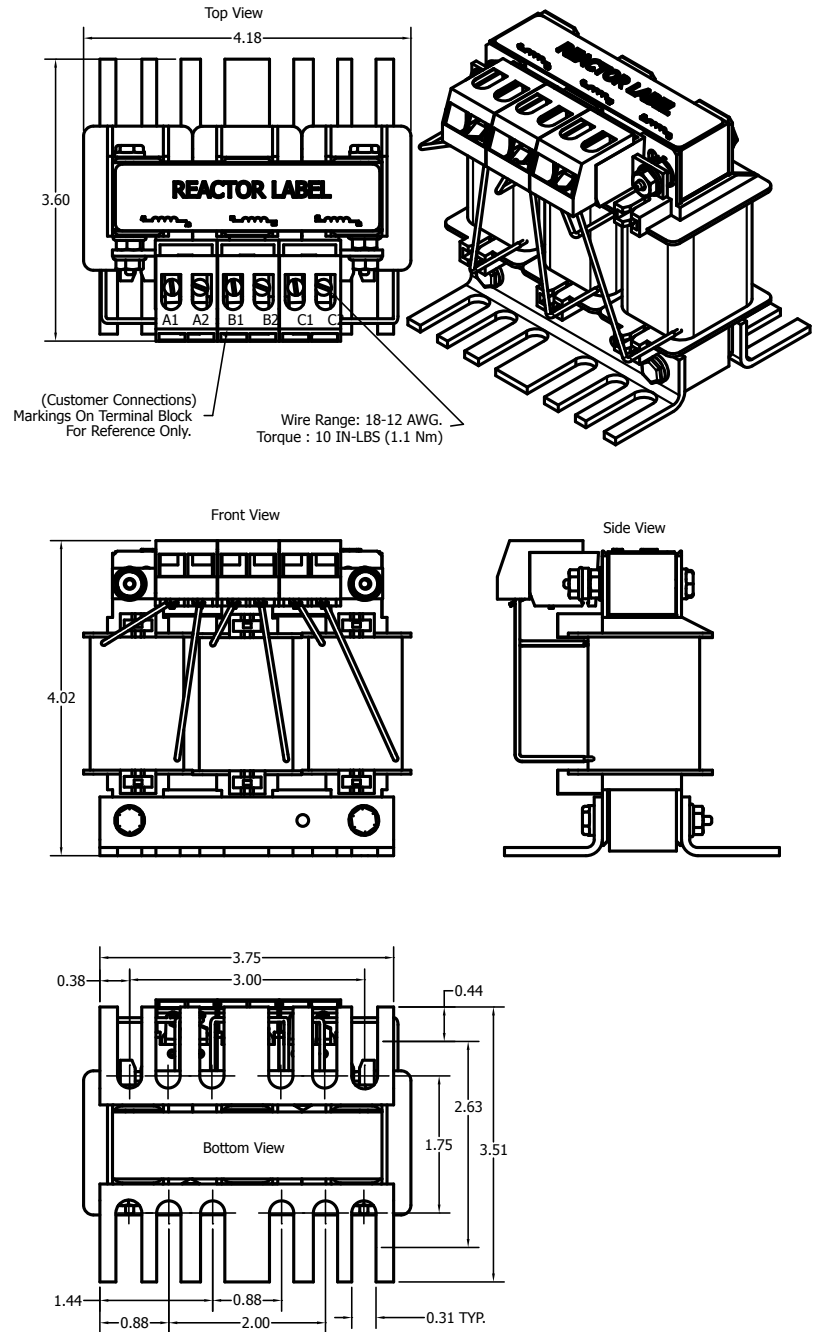
3) LR(2) Line Reactors Dimension Drawing #3

LR-20P5, LR-21P0, LR-22P0



13) LR(2) Line Reactors Dimension Drawing #13

LR2-10P2-1PH, LR2-10P5-1PH

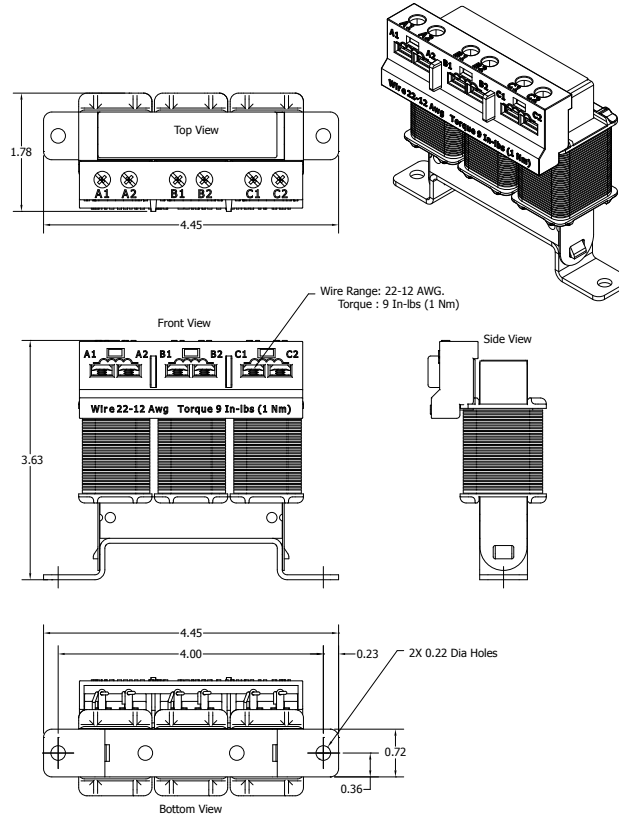


LINE REACTOR DIMENSIONS – LR(2) SERIES

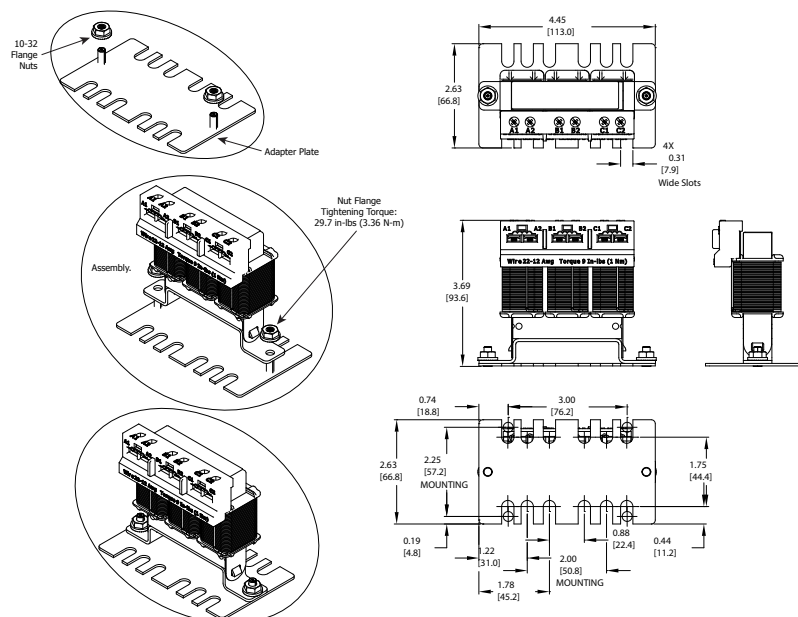
(UNITS = IN [MM]) SEE OUR WEBSITE: WWW.AUTOMATIONDIRECT.COM FOR COMPLETE ENGINEERING DRAWINGS

- 14) LR(2) Line Reactors Dimension Drawing #14 through
- 15) LR(2) Line Reactors Dimension Drawing #15 *not applicable for GS1 AC Drives*

16) LR(2) Line Reactors Dimension Drawing #16
LR2-52P0



16a) LR(2) Line Reactors Dimension Drawing #16a
LR2-AP1 Adapter Plate for Universal Mounting for: LR2-20P5



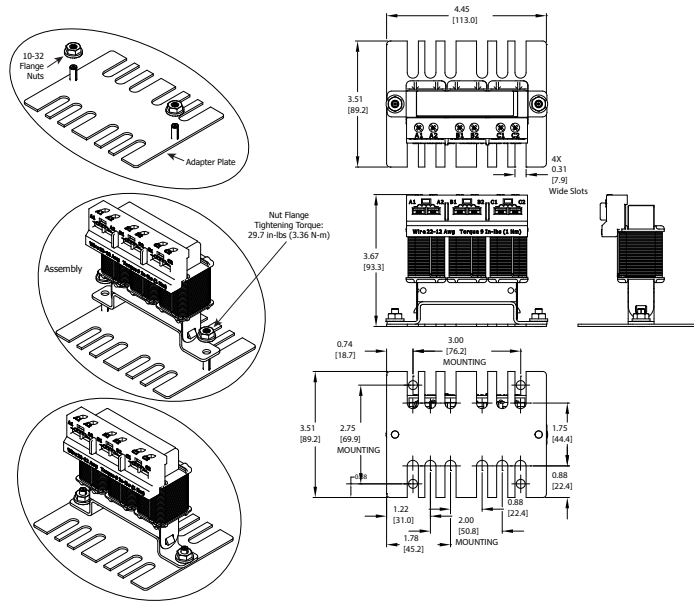
LINE REACTOR DIMENSIONS – LR(2) SERIES

(UNITS = IN [MM])

SEE OUR WEBSITE: WWW.AUTOMATIONDIRECT.COM FOR COMPLETE ENGINEERING DRAWINGS

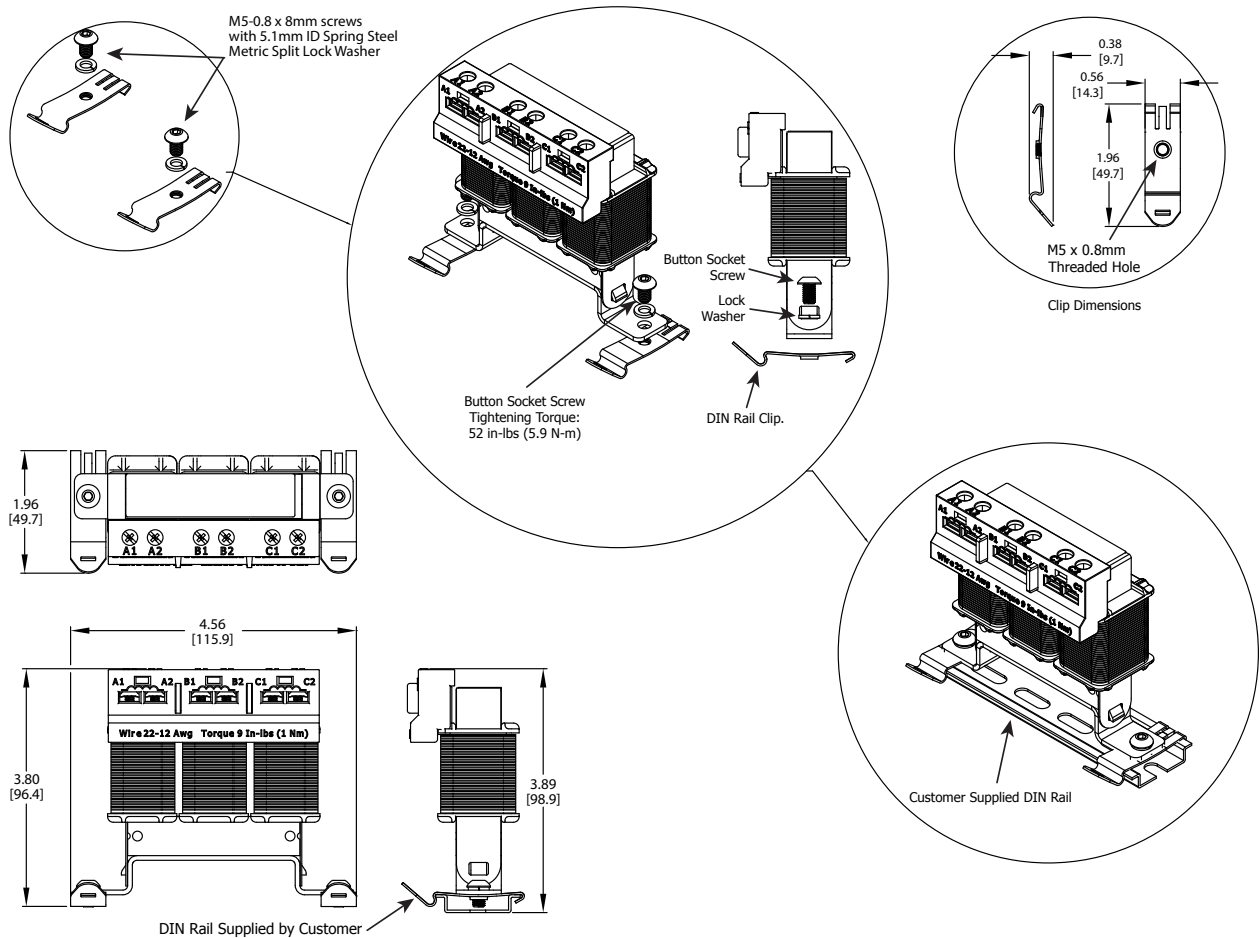
16b) LR(2) Line Reactors Dimension Drawing # 16b

LR2-AP2 Adapter Plate for Universal Mounting for: LR2-20P5



16c) LR(2) Line Reactors Dimension Drawing #16c

LR2-DR1 Hardware Kit for DIN Rail Mounting for: LR2-20P5

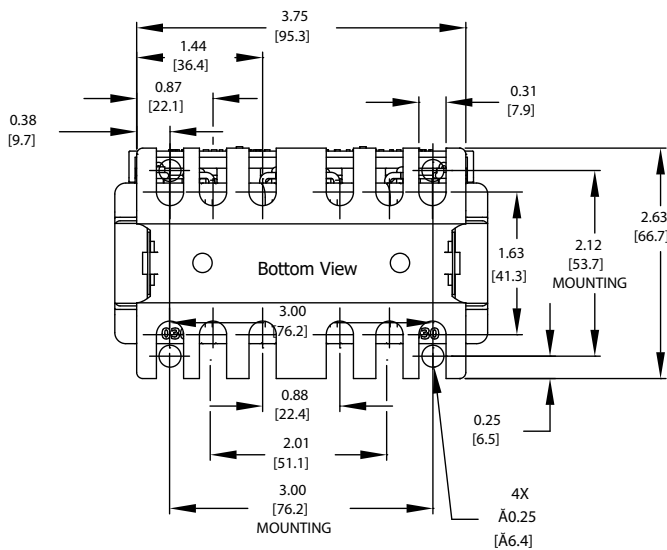
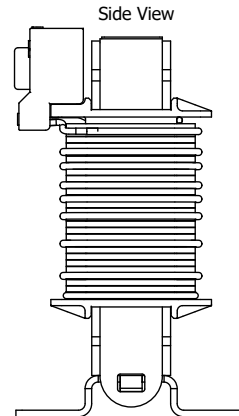
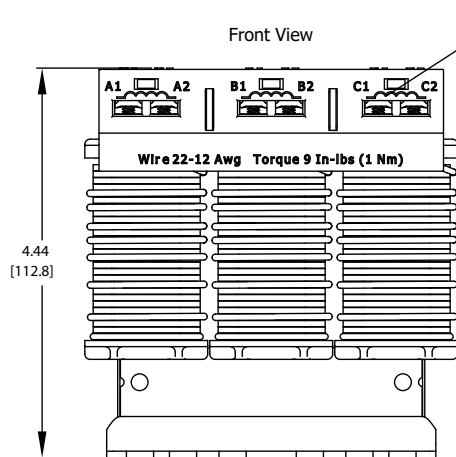
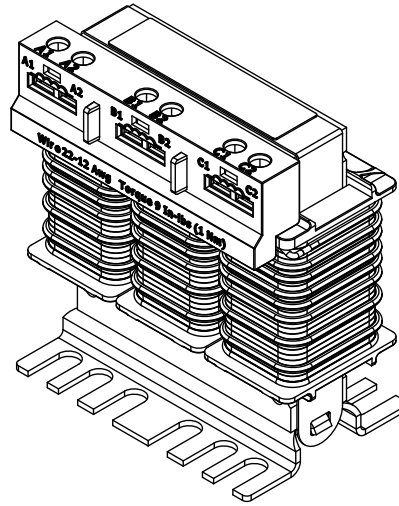
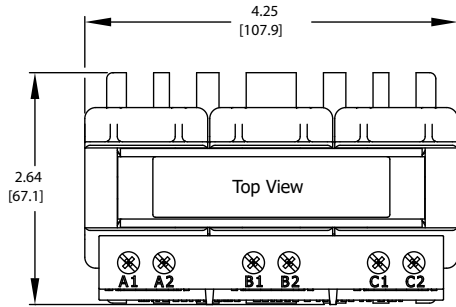


LINE REACTOR DIMENSIONS – LR(2) SERIES

(UNITS = IN [MM]) SEE OUR WEBSITE: WWW.AUTOMATIONDIRECT.COM FOR COMPLETE ENGINEERING DRAWINGS

17) LR(2) Line Reactors Dimension Drawing #17

LR2-20P5-1PH, LR2-21P0, LR2-22P0

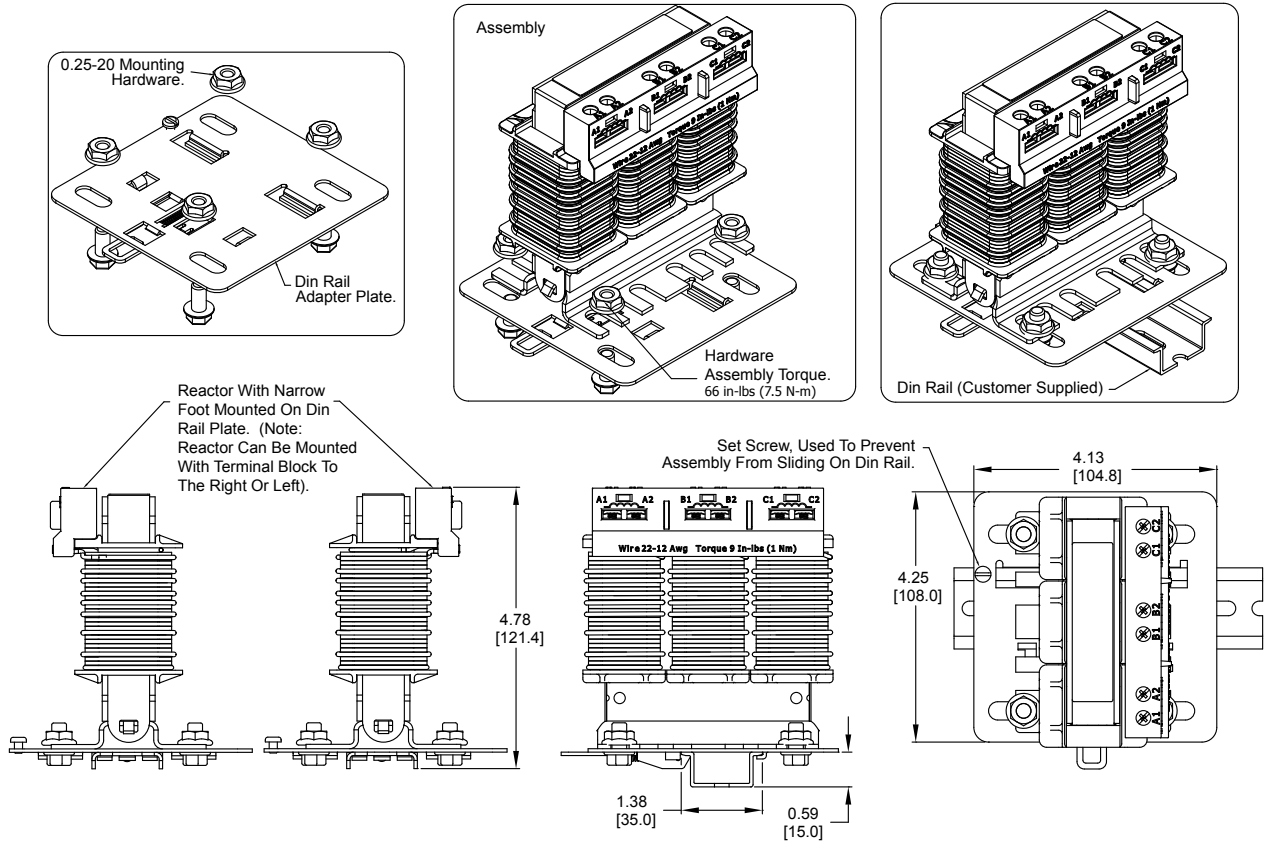


LINE REACTOR DIMENSIONS – LR(2) SERIES

(UNITS = IN [MM]) SEE OUR WEBSITE: WWW.AUTOMATIONDIRECT.COM FOR COMPLETE ENGINEERING DRAWINGS

17a) LR(2) Line Reactors Dimension Drawing #17a

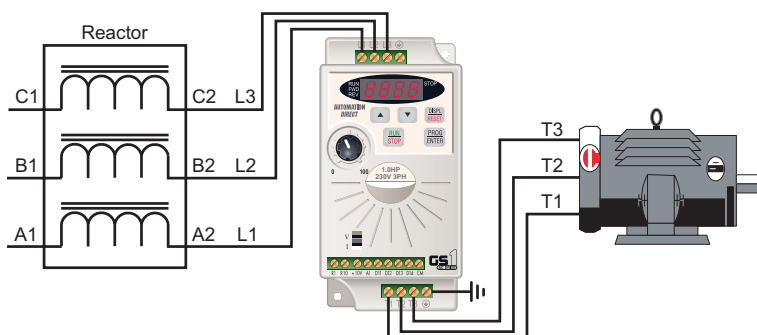
LR2-DR2 Hardware Kit for DIN Rail Mounting for: LR2-20P5-1PH, LR2-21P0, LR2-22P0



LINE REACTOR APPLICATIONS AND CONNECTIONS

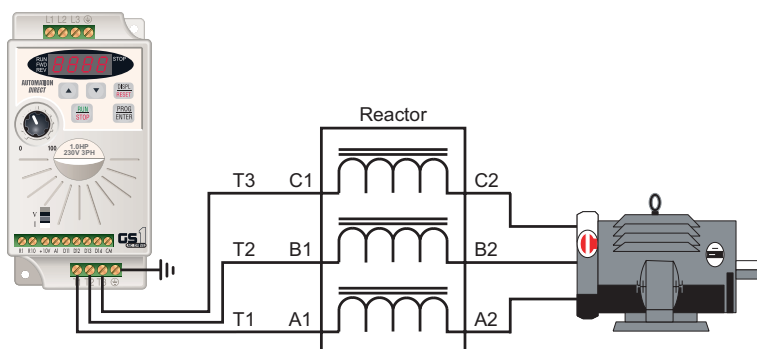
INPUT SIDE OF AC DRIVE

When installed on the input side of the AC Drive, line reactors will reduce line notching, and limit current and voltage spikes and surges from the incoming line. The line reactors will also reduce harmonic distortion from the AC Drive onto the line. Units are installed in front of the AC Drive as shown.



OUTPUT SIDE OF AC DRIVE

When installed on the output side of the AC Drive, line (load) reactors protect the drive from short circuits at the load. Voltage and current waveforms from the drive are enhanced, reducing motor overheating and noise emissions.



Single-phase line reactors should NOT be installed on the output of the AC Drive. Use only three-phase reactors on drive outputs, and only for three-phase motors.

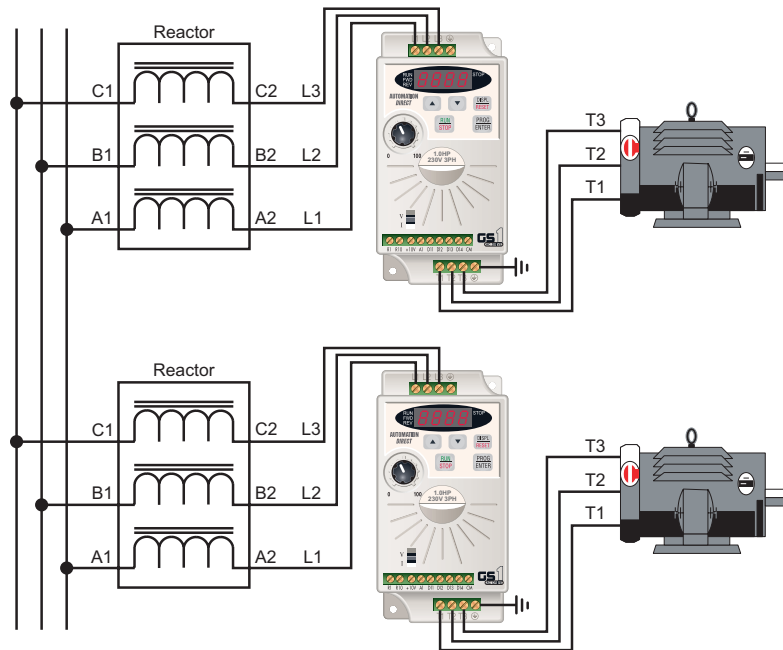


If installing a line reactor on the output side of the drive, especially with motor lead lengths in excess of 75 feet, lower the drive PWM output carrier frequency to 4kHz in order to protect the line reactor from excess heating and possible damage.

LINE REACTOR APPLICATIONS AND CONNECTIONS (CONTINUED)

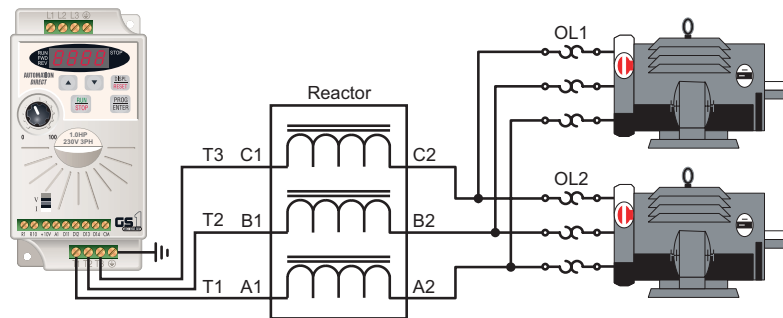
MULTIPLE AC DRIVES

Individual line reactors are recommended when installing multiple AC Drives on the same power line. Individual line reactors eliminate cross-talk between multiple drives, and provide isolated protection for each drive for its own specific load.



MULTIPLE MOTORS

A single output (load) reactor can be used for multiple motors on the same AC Drive, but only if the motors operate simultaneously. Size the reactor based upon the total horsepower of all the motors, and select a reactor with a current rating greater than the sum of the motor full-load currents. Overload relays are recommended for use in multi-motor applications.

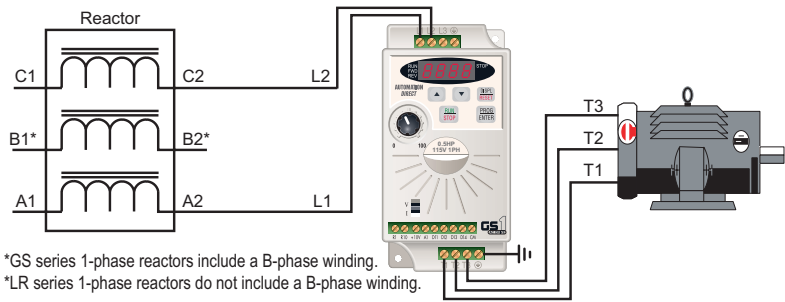


A single reactor should be used with multiple motors ONLY when the motors will operate simultaneously from a single AC drive. OVERLOAD RELAYS are recommended for use in multiple motor applications.

LINE REACTOR APPLICATIONS AND CONNECTIONS (CONTINUED)

SINGLE-PHASE APPLICATIONS

Some of the line reactors are listed for use with single-phase input power. Follow the connection diagram shown below. Make sure that terminals B1 and B2, if present, are properly insulated before any connections are made.



*GS series 1-phase reactors include a B-phase winding.
 *LR series 1-phase reactors do not include a B-phase winding.



WARNING: ENSURE THAT YOU PROPERLY INSULATE TERMINALS B1 AND B2 BEFORE MAKING ANY CONNECTIONS TO SINGLE-PHASE POWER.

DRIVE OUTPUT FILTER

Extend the life of your motors and cables by reducing the harmful effects of voltage spikes due to voltage wave reflection. Voltage wave reflection is a function of the voltage rise time (dV/dT) and the length of the motor cables.

AutomationDirect VTF series drive output filters protect motors and cables by combining a patented dampening circuit with a low pass filter to increase the voltage rise time (dT out of dV/dT), thereby preventing voltage spikes from exceeding 1,000V.

- Protect cable runs and reduce motor heating, noise, and vibration.
- Prevent motor failure with protection against motor insulation breakdown.
- Reduce Common Mode by a minimum of 30%.
- Improve system productivity and increase bearing life and up-time.
- Protect long lead lengths up to 1,000 feet.



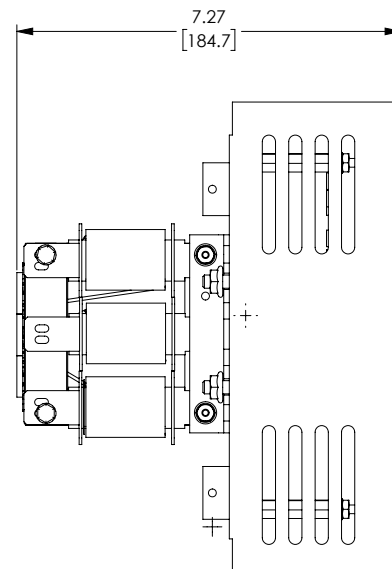
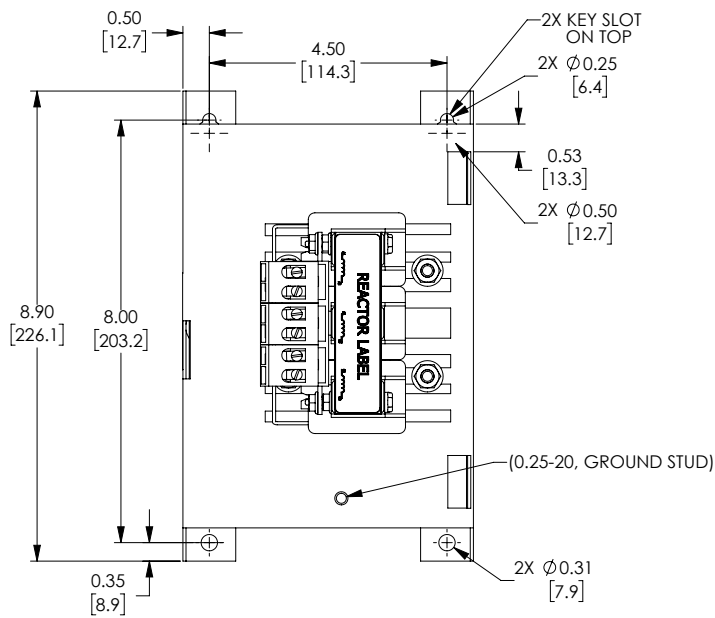
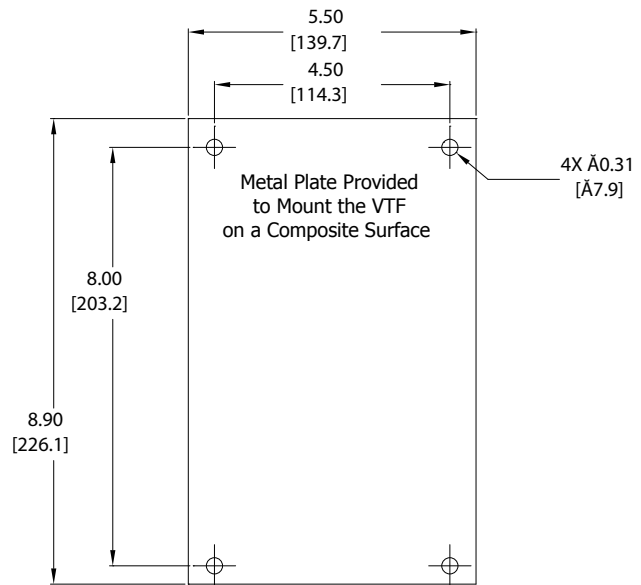
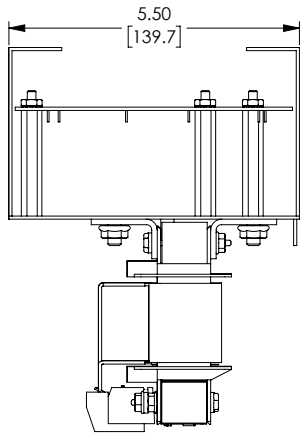
NOTE: Install Drive Output Filters on the output side of the AC Drive.

Drive Output Filters – VTF Series									
Part Number	Rated HP			Max Rated Amps	Max Rated Voltage	Phases	GSI Drive		Drive HP
	230V	460V	575V				w 1Ø Input	w 3Ø Input	
VTF-46-DE	–	0.75	1	2	600	3	GSI-10P2	–	0.25
							GSI-20P2	GSI-20P2	0.25
VTF-246-CFG	0.5	1.5	2	3			GSI-10P5	–	0.5
							GSI-20P5	GSI-20P5	0.5
VTF-24-FH	1.5	3	–	6			GSI-21P0	GSI-21P0	1
VTF-246-GJJ	2	5	5	8			–	GSI-22P0	2
Part Number (repeated)	Wire Range (AWG)		Terminal Torque (lb-in)		Fasteners		Weight (lb)		
VTF-46-DE	14–12		10		6/40 x 5/16 flathead		8		
VTF-246-CFG									
VTF-24-FH									
VTF-246-GJJ									

DRIVE OUTPUT FILTER DIMENSIONS – VTF SERIES

(Units = in [mm]) See our website: www.AutomationDirect.com for complete engineering drawings

VTF-46-DE, VTF-246-CFG, VTF-24-FH, VTF-246-GJJ



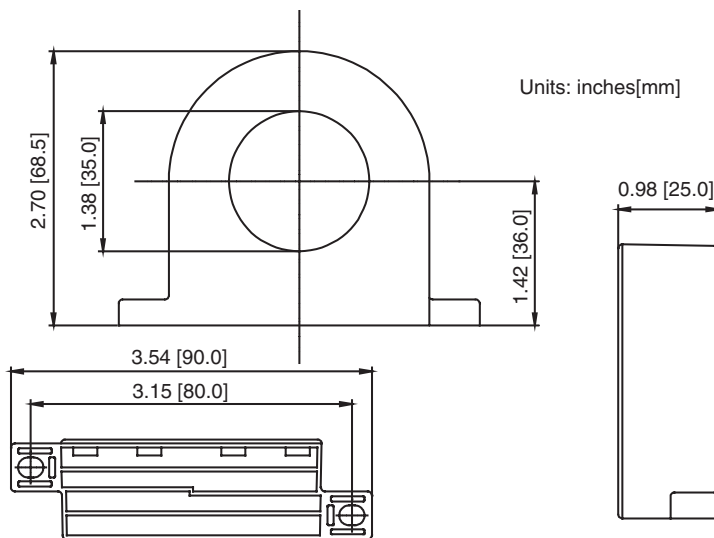
RF FILTER

RF Filter Part #: RF220X00A

RF Filters are used to reduce the radio frequency interference or noise on the input or output side of the drive. RF Filter RF220X00A can be used with all GS model drives.

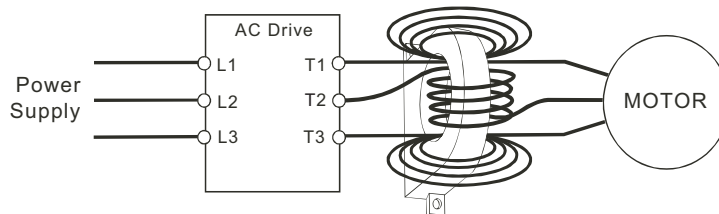


RF FILTER DIMENSIONS



RF FILTER WIRING

Wind each wire four times around the core. The RF filter should be located as close as possible to the output side of the drive.



FUSES AND FUSE KITS

Short-circuit and ground fault protection devices are essential to prevent costly damage to your AC Drive application equipment. Fuse kits are available from AutomationDirect for 115V and 230V GS1 AC Drives.



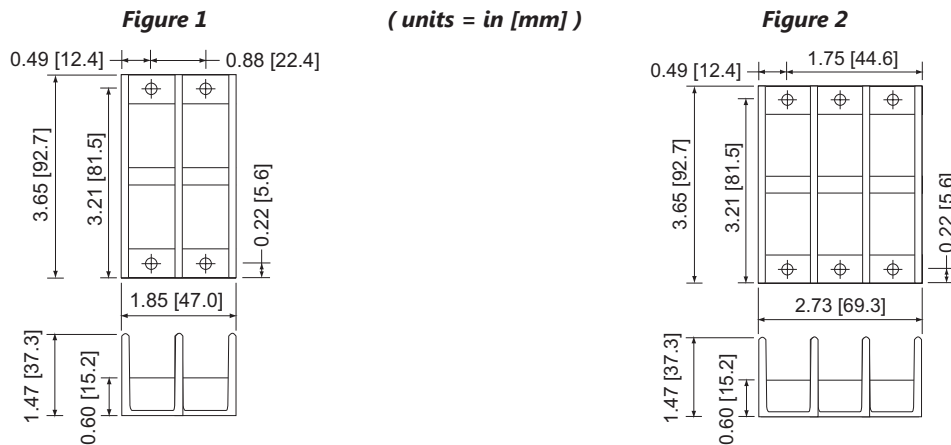
WARNING: THE FUSE KITS PROVIDE PROTECTION ONLY FOR THE SEMICONDUCTOR COMPONENTS INSIDE THE AC DRIVE. MOTOR BRANCH CIRCUIT OVERCURRENT PROTECTION SHOULD BE SEPARATELY PROVIDED PER APPLICABLE LOCAL CODES.

The following fuse kits consist of one fuse block and fuses sized to match each GS1 Series AC Drive. Replacement fuses are also available, and their part numbers are listed in the table below.

Fuse Kit Specifications (for 115V & 230V GS1 drive models)								
Part Number	Drive Model / Phase	Fuse Block	Wire Size	Wire Connector Torque	Fuse Type	Dimensions	Fuse Rating	Replacement Fuses
GS-10P2-FKIT-1P*	GS1-10P2 / 1	2 pole	Al/Cu #2-14	20 lb-in	A3T	Figure 1	300V@20A	GS-10P2-FUSE-1P
GS-10P5-FKIT-1P*	GS1-10P5 / 1	2 pole				Figure 1	300V@30A	GS-10P5-FUSE-1P
GS-20P2-FKIT-1P	GS1-20P2 / 1	2 pole				Figure 1	300V@15A	GS-20P2-FUSE-1P
GS-20P2-FKIT-3P	GS1-20P2 / 3	3 pole				Figure 2	300V@10A	GS-20P2-FUSE-3P
GS-20P5-FKIT-1P	GS1-20P5 / 1	2 pole				Figure 1	300V@20A	GS-20P5-FUSE-1P
GS-20P5-FKIT-3P	GS1-20P5 / 3	3 pole				Figure 2	300V@10A	GS-20P5-FUSE-3P
GS-21P0-FKIT-1P	GS1-21P0 / 1	2 pole				Figure 1	300V@30A	GS-21P0-FUSE-1P
GS-21P0-FKIT-3P	GS1-21P0 / 3	3 pole				Figure 2	300V@20A	GS-21P0-FUSE-3P
GS-22P0-FKIT-3P	GS1-22P0 / 3	3 pole				Figure 2	300V@25A	GS-22P0-FUSE-3P

Short Circuit Current Rating (SCCR) = 200 kA
 * Single-phase fuse kits contain a 2-pole fuseblock. Per NEC 240.22, fusing is correct only for the hot leg of a source; not for an intentionally grounded source conductor. The hot leg of a grounded 115VAC supply is the only supply line that should be fused.

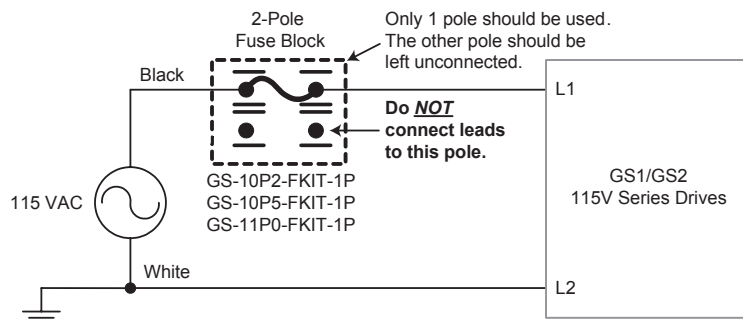
FUSE BLOCK DIMENSIONS



FUSE BLOCK SINGLE-PHASE 115VAC WIRING



WARNING: THE SINGLE-PHASE FUSE KITS CONTAIN A 2-POLE FUSE BLOCK. PER NEC 240.22, FUSING IS CORRECT ONLY FOR THE HOT LEG OF A SOURCE; NOT FOR AN INTENTIONALLY GROUND SOURCE CONDUCTOR. THE HOT LEG OF A GROUND 115VAC SUPPLY IS THE ONLY SUPPLY LINE THAT SHOULD BE FUSED.



ETHERNET INTERFACE

GS-EDRV(xxx) Specifications			
Part Number	Input Voltage	Input Current	Ethernet Communication
GS-EDRV	10-33 VDC	90-135 mA	10BaseT
GS-EDRV100	10-36 VDC	50-220 mA	10/100Mbps
<i>Can be used with all GS and DURAPULSE AC drives.</i>			

GS-EDRV(xxx) Ethernet Interfaces provide low-cost, high-performance Ethernet links between control systems and any GS/DURAPULSE series AC Drives. With the appropriate cable connections and, if needed, Ethernet switches or hubs, the GS-EDRV(xxx) allows you to communicate with your AC drives over qualified Ethernet networks.

The control systems can be any of the following:

- DL205 CPU, DL405 CPU, or a WinPLC, with the appropriate Ethernet Remote Master module (H2-ERM or H4-ERM).
- Productivity CPUs with Remote I/O Ethernet port.
- A PC running Entivity's ThinkDo software, a PC using a custom device driver that was developed using our Ethernet SDK, or a PC running KEPDirect EBC or OPC Server.
- Any independent I/O controller with a Modbus TCP/IP driver.

The control function is performed by one of the control systems mentioned above. The I/O mapping function is performed by an H2(4)-ERM module (purchased separately). The H2(4)-ERM module is configured with the ERM Workbench Utility which is part of the DirectSOFT PLC programming software.

The functions of the GS-EDRV(xxx) interface are as follows:

- process input signals from the AC drive
- format these signals to conform to the Ethernet standard
- transmit converted signals to the control system
- receive and translate output signals from the control system
- distribute the output signals to the appropriate drive
- DIN-rail mounting
- built-in web browser allows users to configure and control the drive from any web browser via the IP address of the GS-EDRV(xxx).



The GS-EDRV(xxx) requires an external 24 VDC power supply.



The GS series drives have a provision for shutting down control or power to the drive in the event of a communications time-out. This function can be set up through the drive parameter group 9.

Refer to the "GS Series AC Drive Ethernet Interface User Manual" or www.AutomationDirect.com for detailed information.

ZIPLINK™ CABLES FOR RS-485 MODBUS RTU

ZIPLink communication cables make it very easy to set up RS-485 Modbus RTU control of a single GS1 AC drive from a DirectLOGIC DL06 or D2-260 PLC.



GS-485HD15-CBL-2

PLC Connections for RS-485 Modbus RTU Control of GS1 Drive					
Drive	PLC *	PLC Port *	Communication	Direct Cable	Length
GS1	CLICK	3	RS-485	ZL-RJ12-CBL-2P ***	2m [6.6 ft] ***
	DL05	2 **	RS-232 – RS-485 **	N/A **	
	DL06 D0-DCM	2	RS-485	GS-485HD15-CBL-2 ***	2m [6.6 ft] ***
	D2-DCM D2-250(-1)	2 **	RS-232 – RS-485 **	N/A **	
	D2-260	2	RS-485	GS-485HD15-CBL-2 ***	2m [6.6 ft] ***
	D4-450	3 **	RS-232 – RS-485 **	N/A **	

* If a PLC type or port is not listed in this chart, it cannot function as a Modbus RTU master.
 ** Requires RS-232–RS-485 converter & generic cabling options described later in this chapter.
 *** Termination resistors not required due to short cable length.



In addition to these GS-specific cables, the ZIPLink product line also includes other components which can be useful for Modbus wiring. Refer to Ch5 “GS1 Modbus Communications” for more information.

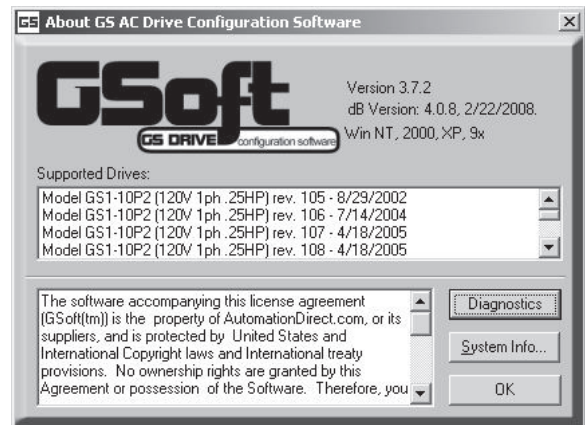
GS DRIVE CONFIGURATION SOFTWARE

SOFTWARE FUNCTIONS

GSoft is the optional configuration software for the AutomationDirect GS family of drives. It allows you to connect a personal computer to GS1 drives via RS-485, and perform a variety of functions:

- Upload/download drive configurations
- Create new drive configurations using Quick Start, Detailed, or Schematic Views
- Edit drive configurations
- Archive/store multiple drive configurations on your PC
- Trend drive operation parameters
- Tune the drive PID loop (PID not applicable for GS1 drives)
- View real time key operating parameters
- Start/Stop drive and switch directions, provided drive is set up for remote operation
- View drive faults
- Print a schematic representation of the drive configuration
- Print a tabular report of the current drive configuration.

GS Series AC Drive Software	
Part Number	Description
GSOFT	GS drives configuration software
GS-232CBL	GSOFT programming cable (3m [9.8 ft])



GSoft includes an integral help file with software instructions.

SYSTEM REQUIREMENTS

GSoft will run on PCs that meet the following requirements:

- Windows 95, 98, Me, NT, 2000, XP, Vista (32-bit), and 7 (32-bit)
- Internet Explorer 4.0 or higher (for HTML help support)
- 24 MB of available memory
- 8MB hard drive space
- Available RS-232 serial port

CONFIGURATION CABLE

USB-485M serial adapter cable (sold separately)

**BLANK
PAGE**