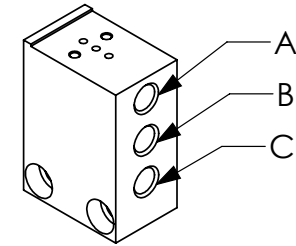
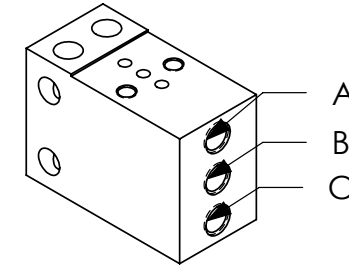


GVP Valve & Manifold Assembly Instructions

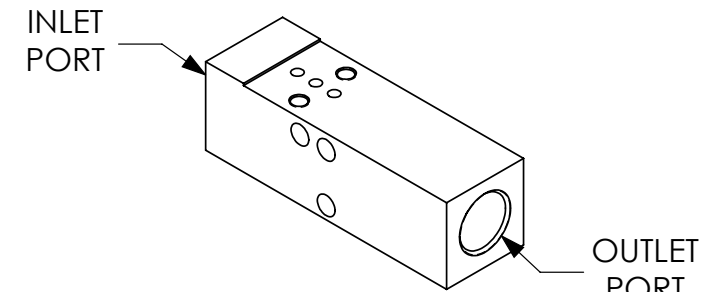
SINGLE STATION MANIFOLDS		
PORT	NC	NO
A	INPUT	EXHAUST
B	EXHAUST	INPUT
C	OUTPUT	OUTPUT



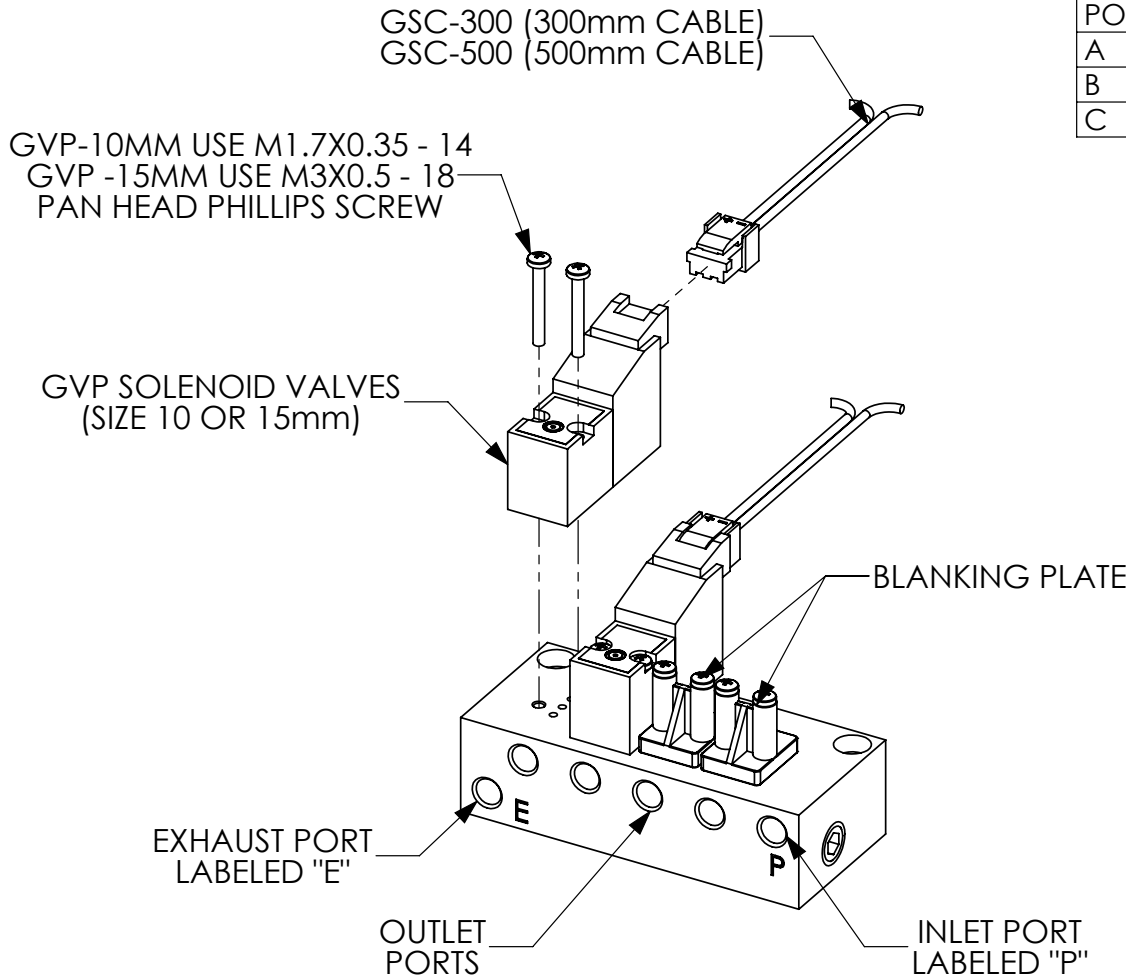
GM-311



GM-321

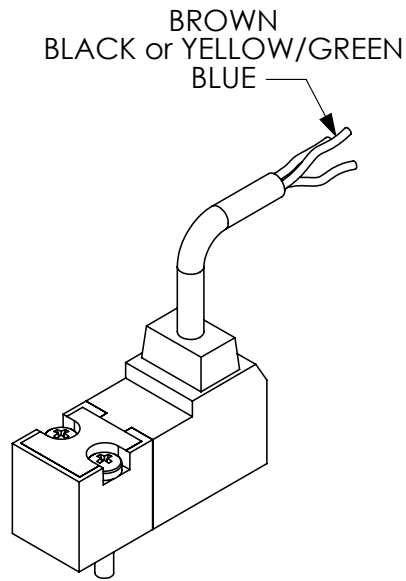


GM-321-18N



PART NUMBER	VALVE SIZE	INLET THREAD	OUTLET THREAD	EXHAUST THREAD
GM-311	GVP-21 / GVP-31	#10-32	#10-32	#10-32
GM-312	GVP-21 / GVP-31	#10-32	#10-32	#10-32
GM-314	GVP-21 / GVP-31	#10-32	#10-32	#10-32
GM-316	GVP-21 / GVP-31	#10-32	#10-32	#10-32
GM-321	GVP-22 / GVP-32	#10-32	#10-32	#10-32
GM-322	GVP-22 / GVP-32	1/8" NPT	#10-32	1/8" NPT
GM-324	GVP-22 / GVP-32	1/8" NPT	#10-32	1/8" NPT
GM-321-18N	GVP-22 / GVP-32	1/8" NPT	1/8" NPT	N/A

If you have any questions concerning the installation or operation of this equipment, or if you need additional information, please call AutomationDirect.com Tech Support at 770-844-4200

**Part No. GVP-321CL-12D****Function: 15 mm Valve**

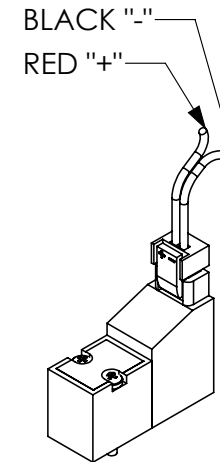
The 15 mm valves feature a 3-wire system to change state; relays are not required. Applying an electrical signal to the Brown wire energizes (latches) the valve. The internal magnet holds the valve in the energized (open) position when the power supply is removed. Applying an electrical signal to the Blue wire de-energizes (unlatches) the valve.

3-Wire System

Brown – Latch / Energize / +

Black or Yellow/Green – Common / -

Blue – Unlatch / De-energize / +

**Part No. GVP-311CL-24D****Function: 10 mm Valve**

The 10 mm valve features a 2-wire system to change state. Applying an electrical signal to the Red wire and ground to the Black wire energizes (latches) the valve. An internal magnet holds the valve in the energized (open) position when the power supply is removed. Reversing the wires, ground to Red and electrical signal to Black, de-energizes (unlatches) the valve.

2-Wire System

Power to Red, Ground to Black – Latch / Energize

Ground to Red, Power to Black – Unlatch / De-energize

Note: For All Non-Latching Valves

RED (+) Positive

BLACK (-) Negative