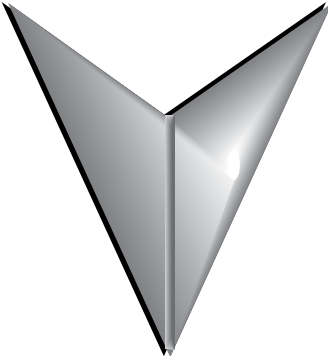


# SR35-PSU POWER SUPPLY UNIT



---

## SR35-PSU



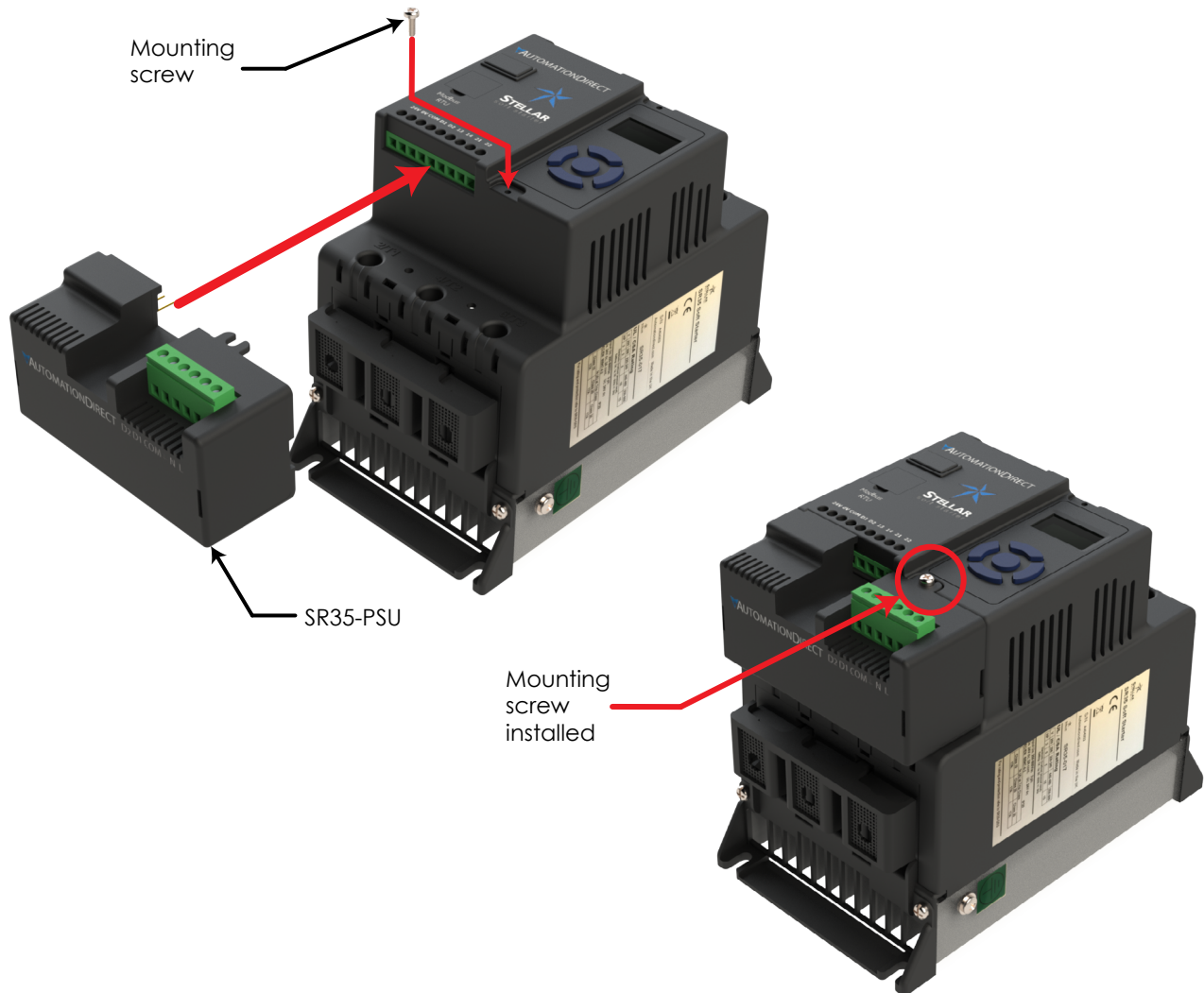
## POWER SUPPLY (SR35-PSU)

SR35-PSU is a dedicated power supply for the SR35 soft starter. Use of the SR35-PSU allows line voltage operation of the SR35 digital controls (D1/D2).

In addition to this insert, please refer to the SR35 Quick Start Guide for use with appropriate SR35 models.

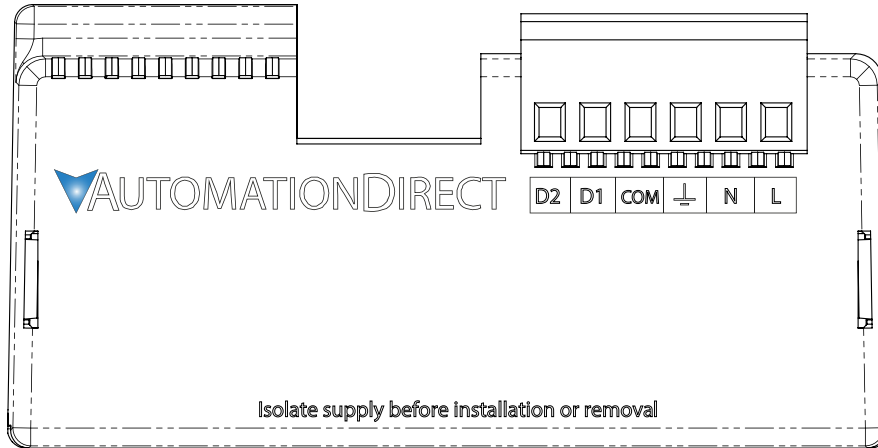
### INSTALLATION

Ensure terminals 24V, 0V, COM, D1 and D2 are fully open before installing the SR35-PSU power supply as shown below.



**NOTE:** When installation of the SR35-PSU is complete, control supply D1 and D2 are provided on the power supply rather than the SR35 main unit.

## CONNECTIONS



## CONTROL TERMINAL FUNCTIONS

Terminal	Description	Default	Function Selectable	Note
L	Control Supply Live (+Us)	-	No	#1
N	Control Supply Neutral -(Us)	-	No	
	Mains supply Earth	-	No	
COM	Digital Inputs Common	-	No	
D1	Digital Input 1	-	Yes	#2
D2	Digital Input 2	-	Yes	#2
13/14	Main Contactor Control (Run Relay)	-	Yes	#3
21/22	Fault Relay	-	Yes	#3
#1 110VAC or 230Vac, 47 – 63 Hz #2 The voltage applied to the digital inputs D1 and D2 must be the same as the supply voltage #3 250VAC, 2A, Cos $\phi$ =0.5				

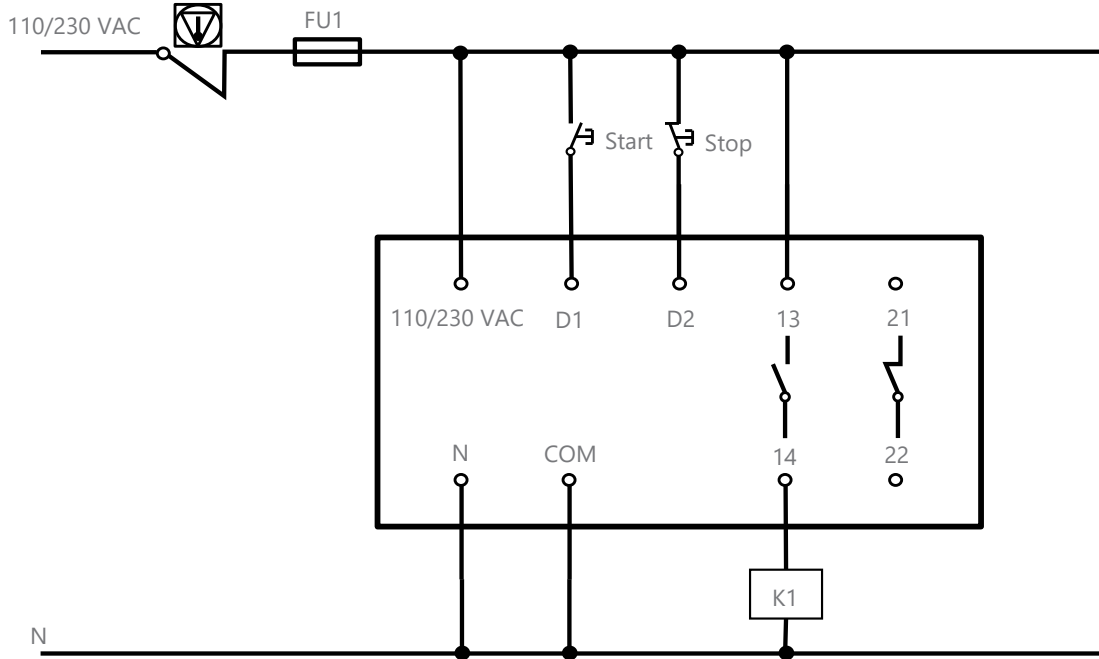
## WIRING SPECIFICATIONS

Terminal	Wire Size		Torque	
	Metric	Imperial	Nm	lb·in
Control Terminals Cu STR 75oC only	0.2–1.5mm <sup>2</sup>	24-16AWG	0.7	6.2

## AMBIENT OPERATING TEMPERATURE

-20°C (-4°F) to 60°C (140°F)

### 3-WIRE CONTROL USING THE SR35-PSU



### 2-Wire Control Using the SR35-PSU

