

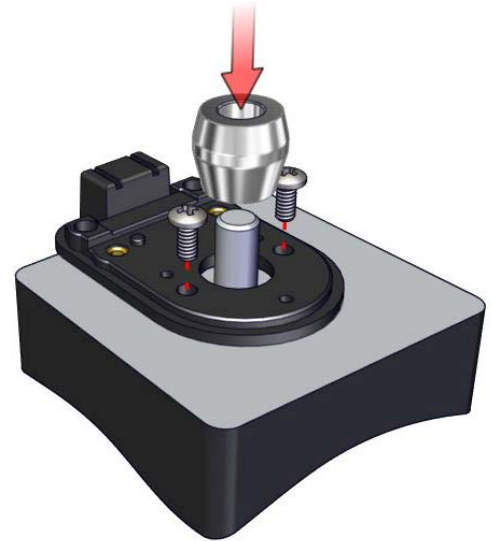
E5 Single-Ended Assembly Instructions

Please Note: These instructions apply to the E5 single-ended version *only*.

Step 1:

Secure base to mounting surface using two or three screws. Slip the centering tool over shaft and into center hole of base. Tighten mounting screws. Remove centering tool.

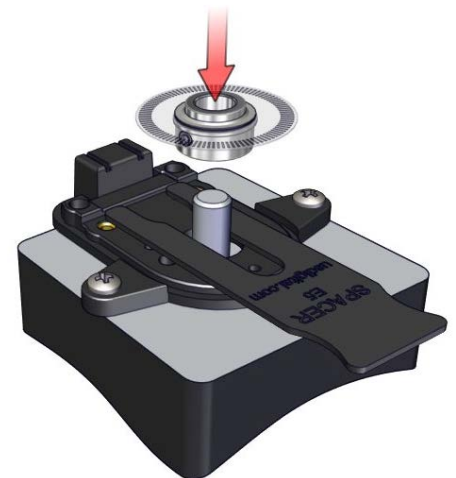
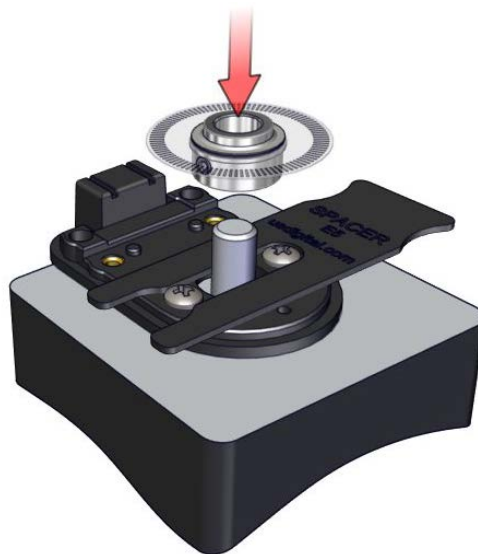
Transfer Adhesive: Contact US Digital technical support for mounting assistance.



Step 2:

Place spacer tool around shaft. Slip hub disk assembly onto shaft with codewheel disk towards top until it bottoms out against spacer tool.

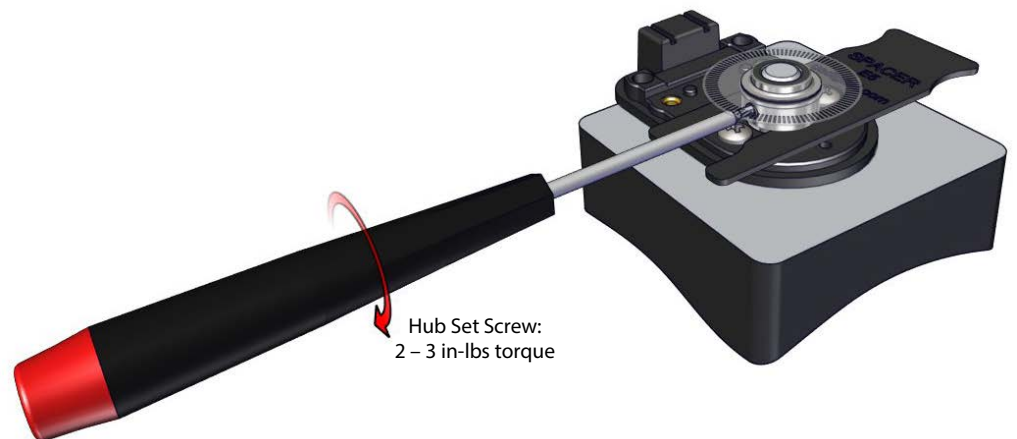
Note: Alternate spacer orientations may be required depending on base/mounting configuration.



Alternate spacer tool orientation for G-Option base

Step 3:

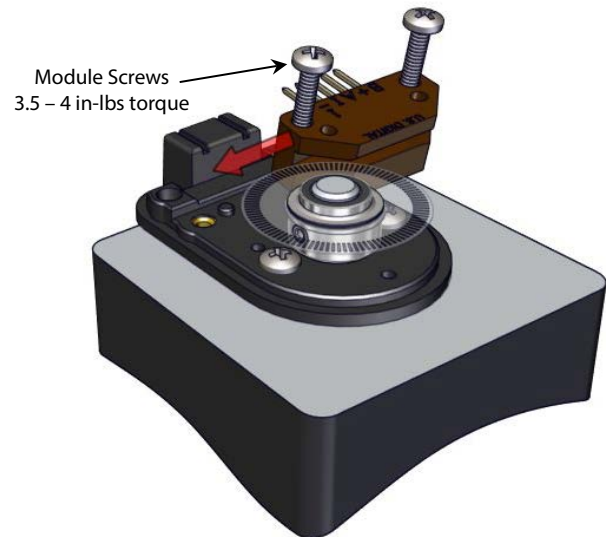
Tighten set screw with hex wrench provided while pressing down on hub.



E5 Single-Ended Assembly Instructions

Step 4:

Slip optical module into position until the two alignment pins slip into holes of module (thick side of module towards bottom). Secure with 4-40 x 1/2" screws (supplied).



Step 5:

Place housing (cover) over assembly and secure with two 4-40 x 5/8" cover screws (supplied).

