



STS-System Benefits

- TÜV certificate according to the legal and standard requirements
- For safety applications up to PLe/Category 4 according to EN/ISO 13849-1
- Modular and expandable system
- Rugged stainless steel design
- Wireless mechanical safeguarding
- Easy installation through comprehensive accessories
- Protection against lock-in

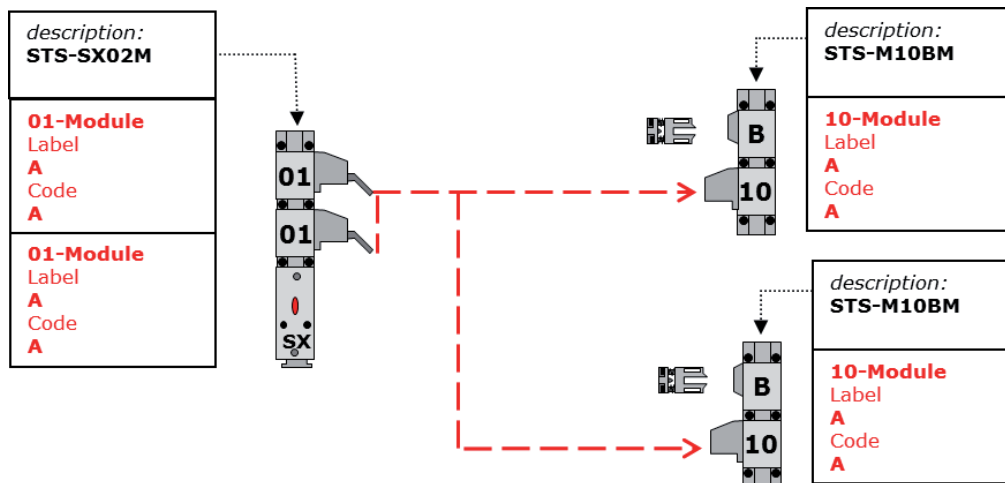
Features 01-SAFETY-KEY-SET-

A 01-SAFETY-KEY-SET adds a personal safety key as protection against being locked in to any M10BM module of a SX-GATE-SET or ZRH-GATE-SET.

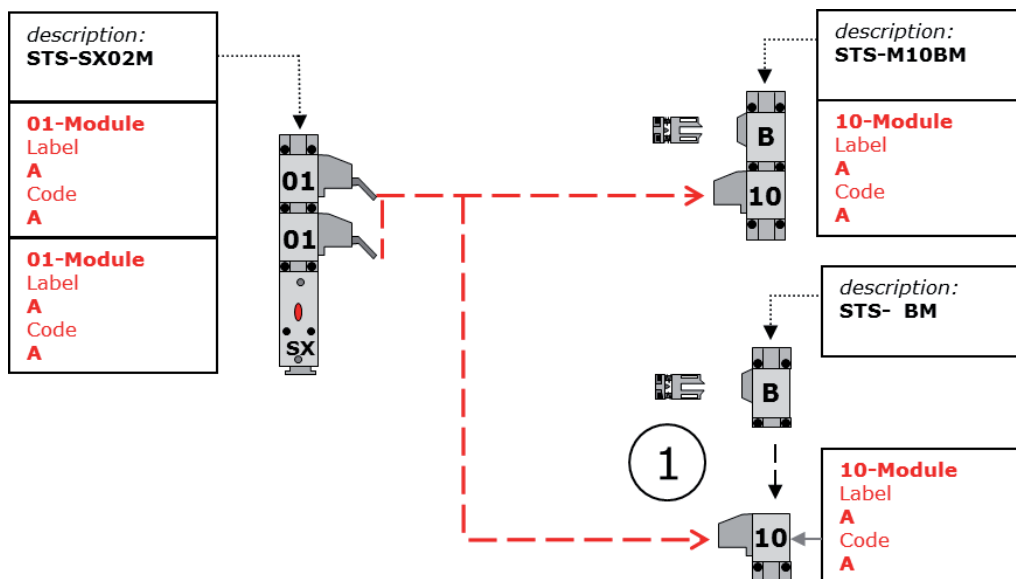
Modification procedure

Example: SX-2GATE-SET with safety key:

Initial situation

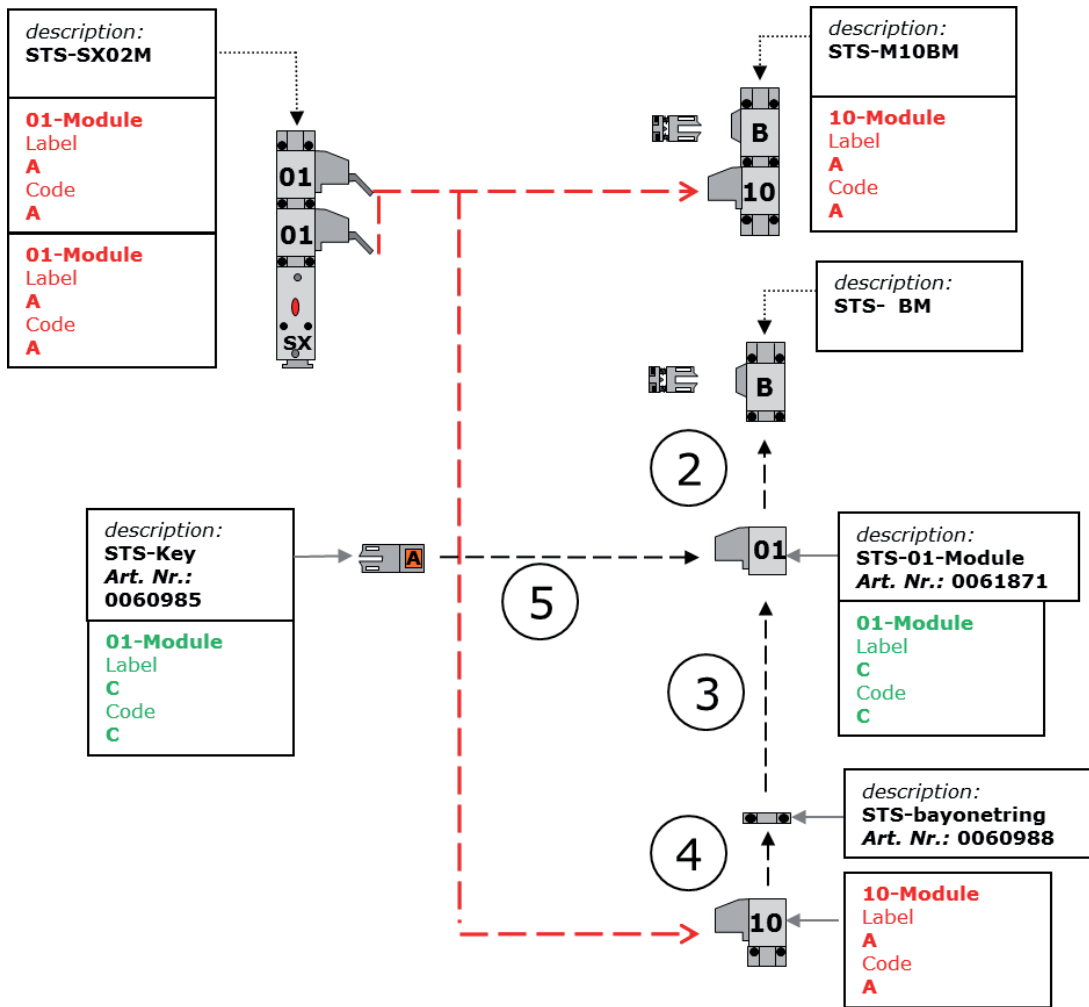


1. Open bayonet ring above 10-module and remove 10-module from B-module



Modification procedure

2. Insert 01-module (code C1) to existing B-module
3. Insert bayonet ring to 01-module
4. Add 10-module to bayonet ring
5. Insert key (code C) into 01-module (code C)



End Situation

