

STS-System Benefits

- TÜV certificate according to the legal and standard requirements
- For safety applications up to PLe/Category 4 according to EN/ISO 13849-1
- Modular and expandable system
- Rugged stainless steel design
- Wireless mechanical safeguarding
- Combines the benefits of safety switch, locking module and key transfer in a single system
- Easy installation through comprehensive accessories
- Protection against lock-in

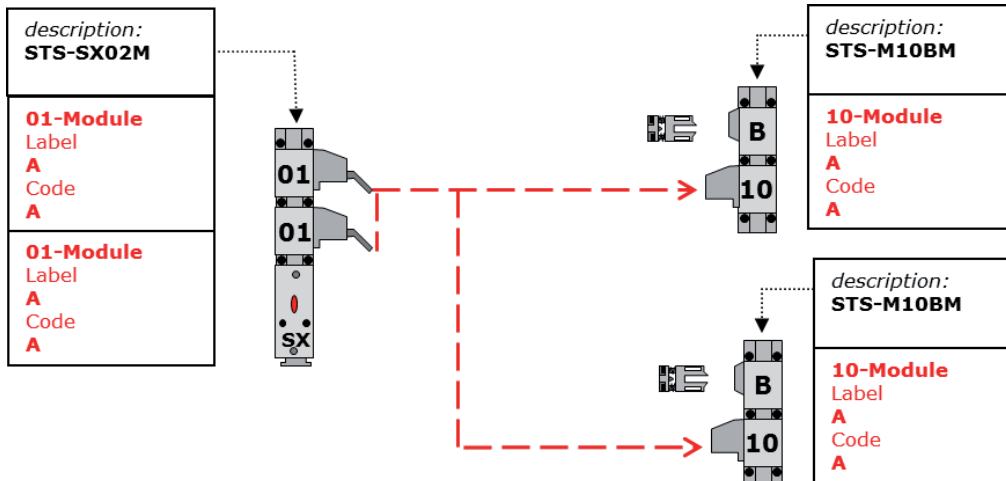
Features PADLOCKMODULE-SET-

A PADLOCKMODULE-SET adds a personal safety feature for protection against being locked in to an SX-GATE_SET or ZRH-GATE-SET. One or more personal padlocks can be applied to the V-Module. While a padlock is fixed to the V-Module the system cannot be restarted. The V-module can be inserted in an SX..., ZRH... module or for individual protection on the actual gate also on M10BM modules. The modification procedure is similar in all cases.

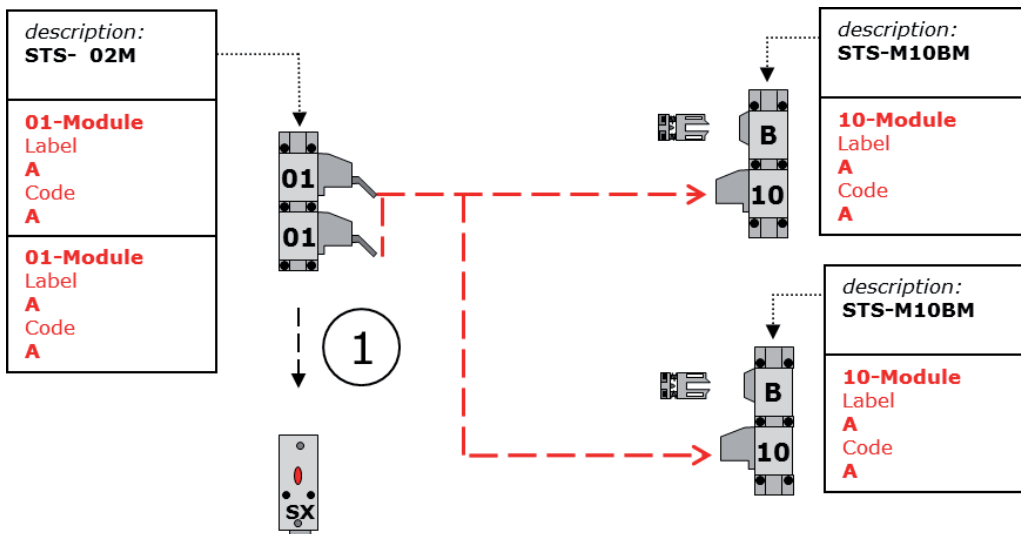
Modification procedure

Example: SX-2GATE-SET with additional PADLOCKMODULE-SET:

Initial situation

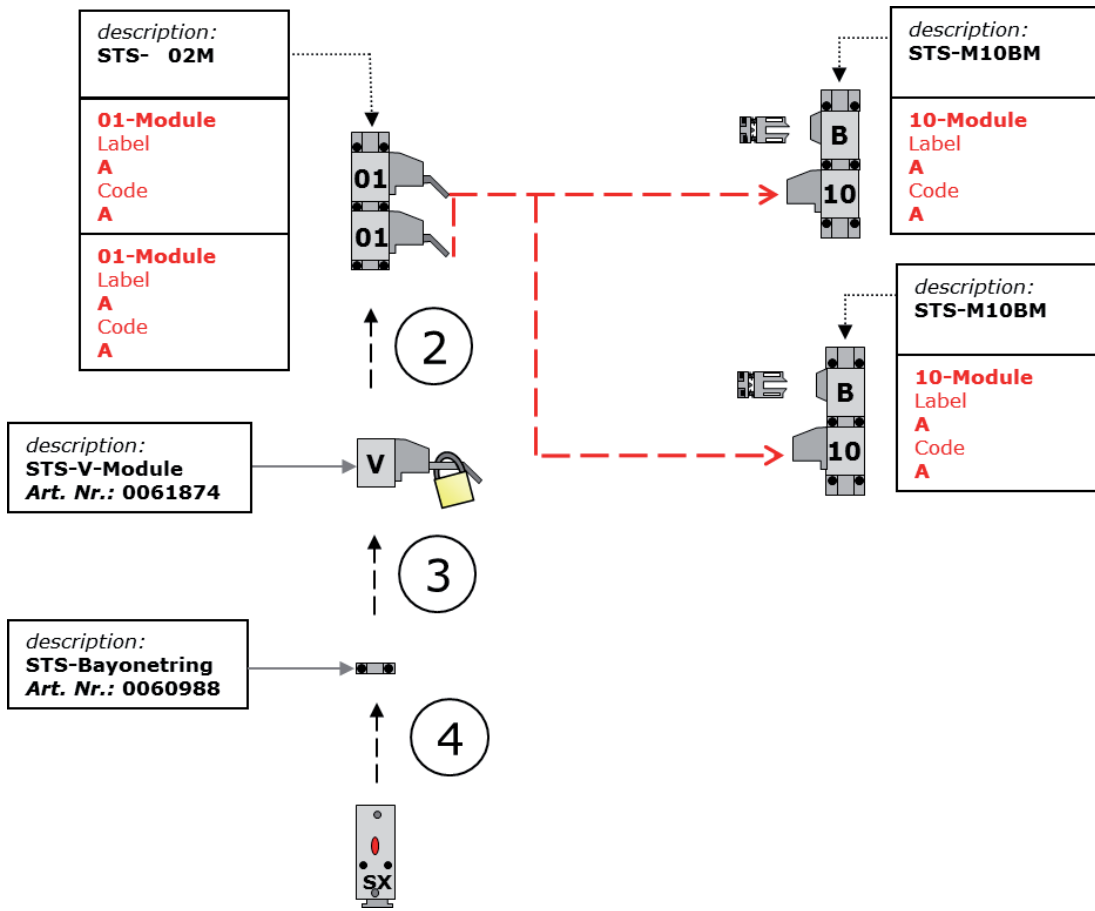


1. Open bayonet ring above SX-module and remove SX-module from 01-module



Modification procedure

2. Insert V-module to existing 01-modules (code A)
3. Insert bayonet ring to V-module
4. Add SX-module to bayonet ring



End Situation

