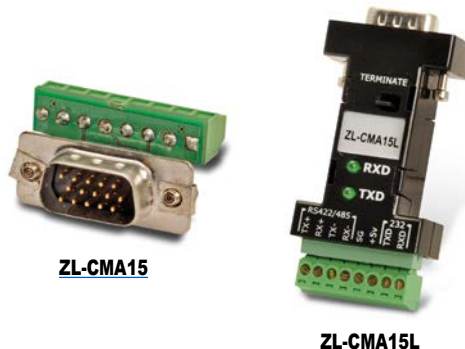




Communications Port Adapters

Communication adaptors eliminate the hassle associated with connecting crimp or solder connectors to PLC communication ports. The communication adapters offer fast and convenient screw terminal connections for the DL06 CPUs.

The ZL-CMA15L adapter offers transmit and receive LEDs, a jumper selectable network termination resistor, and circuit surge protection.



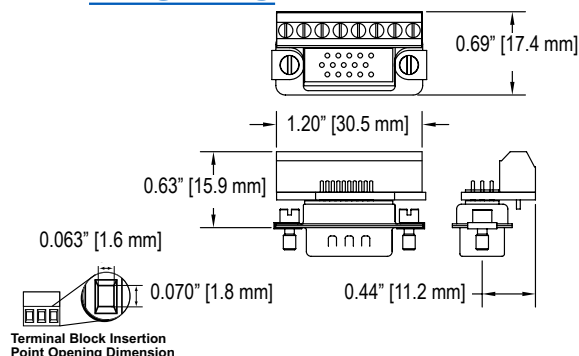
ZL-CMA15

ZL-CMA15L

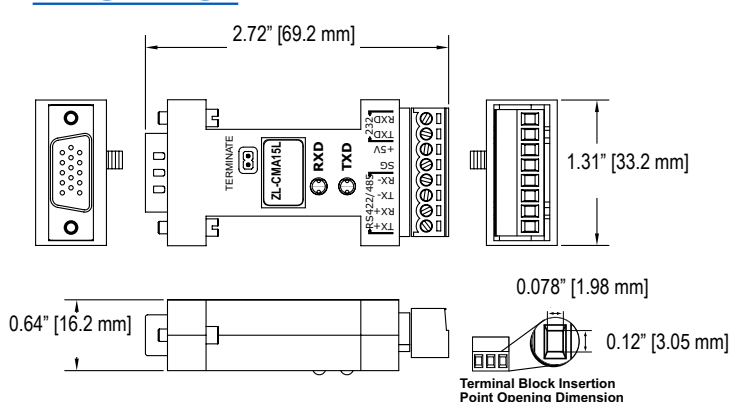
Specifications								
Communication Port Adapters	Part #	Pcs/Pkg	Price/Pkg	Weight (lbs)	Part #	Pcs/Pkg	Price/Pkg	Weight (lbs)
		ZL-CMA15	1	\$18.00	0.04	ZL-CMA15L	1	\$55.00
Description	DL06, D2-250-1 and D2-260 PLC Port 2 adapter: HD 15-pin D-sub to terminal block							
Communications Interface	RS232, RS422, RS485							
Indication Transmit Data	N/A			Green LED				
Indication Receive Data	N/A			Green LED				
RS232 Surge Protection	N/A			2 Circuits clamped by Zener transient voltage suppressors				
RS422/485 Surge Protection	N/A			4 Circuits clamped by low capacitance Zener diodes				
RS422/485 Network Termination Resistor	N/A			Jumper Selectable 120Ω				
Voltage Rating 1	30VDC							
Maximum Current per Circuit	1A							
Supported Signal Types	RS422/485 TXD+ RS422/485 RXD+ RS232 TXD, +5VDC PWR			RS422/485 TXD- RS422/485 RXD- RS232 RXD Ground				
Terminal Block Contacts	Copper alloy, tin-lead plating							
Wire Range (Rated Cross Section) 2	16–30 AWG Solid or Stranded Conductor (1.5 mm ²)				16–28 AWG Solid or Stranded Conductor (1.5 mm ²)			
Wire Strip Length	0.24–0.27 in (6–7 mm)							
Screw Torque	1.7 in-lbs (0.2 N-m)							
Operating Temperature Range	32 to 140°F (0 to 60°C)							
Approvals	File # E200031 Approved for use in Class 1 Division 2, Groups A, B, C, D Hazardous Locations							

1 Use Class 2 power supply.
2 Use conductors rated for 60°/75°C.

ZL-CMA15



ZL-CMA15L



Note: See wiring details and dimensional drawings on our Web site at: <http://www.automationdirect.com/static/manuals/ziplinks/ziplinks.html>.