

## Single-Monitor Arm - One-Touch Height Adjustment - Heavy Duty

ARMPIVOTHD



\*actual product may vary from photos

FR: Guide de l'utilisateur - [fr.startech.com](http://fr.startech.com)

DE: Bedienungsanleitung - [de.startech.com](http://de.startech.com)

ES: Guía del usuario - [es.startech.com](http://es.startech.com)

NL: Gebruiksaanwijzing - [nl.startech.com](http://nl.startech.com)

PT: Guia do usuário - [pt.startech.com](http://pt.startech.com)

IT: Guida per l'uso - [it.startech.com](http://it.startech.com)

For the latest information, technical specifications, and support for this product, please visit [www.StarTech.com/ARMPIVOTHD](http://www.StarTech.com/ARMPIVOTHD).

## **FCC Compliance Statement**

This equipment has been tested and found to comply with the limits for a Class A digital device, pursuant to Part 15 of the FCC rules. These limits are designed to provide reasonable protection against harmful interference when the equipment is operated in a commercial environment. This equipment generates, uses and can radiate radio frequency energy and, if not installed and used in accordance with the instruction manual, may cause harmful interference to radio communications. Operation of this equipment in a residential area is likely to cause harmful interference in which case the user will be required to correct the interference at his own expense.

This device complies with part 15 of the FCC Rules. Operation is subject to the following two conditions: (1) This device may not cause harmful interference, and (2) this device must accept any interference received, including interference that may cause undesired operation.

Changes or modifications not expressly approved by StarTech.com could void the user's authority to operate the equipment.

## **Use of Trademarks, Registered Trademarks, and other Protected Names and Symbols**

PHILLIPS® is a registered trademark of Phillips Screw Company in the United States or other countries.

This manual may make reference to trademarks, registered trademarks, and other protected names and/or symbols of third-party companies not related in any way to StarTech.com. Where they occur these references are for illustrative purposes only and do not represent an endorsement of a product or service by StarTech.com, or an endorsement of the product(s) to which this manual applies by the third-party company in question. Regardless of any direct acknowledgement elsewhere in the body of this document, StarTech.com hereby acknowledges that all trademarks, registered trademarks, service marks, and other protected names and/or symbols contained in this manual and related documents are the property of their respective holders.

## Warning statements

Make sure to assemble this product according to the instructions. Failure to do so might result in personal injury or property damage.

Make sure that the weight of the monitor doesn't exceed the weight capacity of this product. If you exceed the weight capacity, you might experience personal injury or damage to the equipment. This product can support the following weight: 19.8 lb. (9 kg).

Never operate this product if parts are missing or damaged.

Allowing any part of your component cables to get caught between moveable parts might result in personal injury or damage to your equipment.

## Varningsmeddelanden

Se till att du monterar produkten i enlighet med instruktionerna. Om du inte gör det kan skada på person eller egendom uppstå.

Se till att skärmens vikt inte överstiger produktens viktkapacitet. Om viktkapaciteten överstigs kan skada på person eller utrustning uppstå. Denna produkt har stöd för följande vikter: 9 kg.

Använd aldrig produkten om delar saknas eller är skadade.

Om någon del av dina komponentkablar fastnar mellan rörliga delar kan skada på person eller utrustning uppstå.

## Avertissements

Assemblez ce produit conformément aux instructions. Si vous ne respectez pas ces instructions, vous risquez de vous blesser ou d'endommager l'équipement.

Vérifiez que le poids du moniteur ne dépasse pas la capacité pondérale du produit. Si vous dépassez la capacité pondérale, vous risquez des blessures corporelles ou des dommages matériels. Ce produit peut supporter 9 kg.

N'utilisez pas ce produit si des pièces sont endommagées ou manquantes.

Si les câbles des composants se coincent entre des parties mobiles, vous risquez des blessures corporelles ou des dommages matériels.

## Warnhinweise

Montieren Sie dieses Produkt gemäß den Anweisungen. Anderenfalls kann dies zu Verletzungen von Personen oder Schäden an Eigentum führen.

Das Gewicht des Monitors darf die zulässige Traglast des Produkts nicht übersteigen. Wenn die Traglast überschritten wird, kann dies zu Verletzungen von Personen oder Schäden an Geräten führen. Dieses Produkt ist für folgendes Gewicht geeignet: 9 kg.

Das Produkt darf nicht bedient werden, wenn Teile fehlen oder beschädigt sind.

Wenn sich Komponentenkabel in beweglichen Teilen verfangen, kann dies zu Verletzungen von Personen oder Schäden an Geräten führen.

## Dichiarazioni di avvertenza

Assemblare il prodotto rispettando le istruzioni. Il mancato rispetto delle istruzioni potrebbe causare danni a persone o proprietà.

Verificare che il peso del monitor non superi la capacità di supporto del prodotto. In caso di superamento della capacità di supporto potrebbero verificarsi danni a persone o apparecchiature. Il prodotto è in grado di supportare i seguenti pesi: 9 kg.

Non utilizzare il prodotto in presenza di parti mancanti o danneggiate.

Eventuale intrappolamento dei cavi del componente fra elementi in movimento potrebbe causare danni a persone o apparecchiature.

## Mensagens de aviso

Certifique-se de que monta este produto de acordo com as instruções. O incumprimento pode resultar em ferimentos pessoais ou danos de propriedade.

Certifique-se de que o peso do monitor não excede a capacidade de peso deste produto. Se exceder a capacidade de peso, pode sofrer ferimentos pessoais ou danos ao equipamento. Este produto pode suportar o seguinte peso: 9 kg.

Nunca opere este produto se faltarem peças ou estas estiverem danificadas.

As permissão que qualquer parte dos cabos do seu componente fique preso entre partes móveis, pode resultar em ferimentos pessoais ou danos ao seu equipamento.

## Advertencias de uso

Asegúrese de ensamblar este producto según las instrucciones. De lo contrario, pueden producirse lesiones personales o daños de propiedad.

Asegúrese de que el peso del monitor no exceda la capacidad de carga de este producto. Si se excede dicha capacidad se podrían producirse lesiones personales o daños al equipo. Este producto tiene capacidad para el siguiente peso: 9 kg.

Nunca opere o ponga en funcionamiento este producto si faltan piezas o hay daños en las mismas.

En caso de que los cables de su componente queden atascados en piezas en movimiento se pueden producir lesiones personales o daños en el equipo.

## Waarschuwingen

Zorg dat dit product volgens de instructies in elkaar wordt gezet. Indien dit niet goed gebeurt kan lichamelijk letsel of materiële schade ontstaan.

Zorg dat het gewicht van het scherm de maximale capaciteit van dit product niet overschrijdt. Als u de gewichtscapaciteit overschrijdt, kan persoonlijk letsel of schade aan de apparatuur ontstaan. Dit product ondersteunt het volgende gewicht: 9 kg.

Gebruik dit product nooit als er onderdelen ontbreken of beschadigd zijn.

Als uw componentkabels tussen bewegende delen vast komen te zitten, kan dit lichamelijk letsel of schade aan de apparatuur veroorzaken.

## 注意

必ず取扱説明書に従って本製品の組み立てを行って下さい。取り扱いを誤った場合に、傷害を負う恐れや物的損害が発生する恐れがあります。

取り付けるモニターの重量が、本製品で定められた最大積載重量を超えないようにして下さい。最大積載重量をオーバーした場合、傷害を負う恐れやモニターや本製品に損害が発生する恐れがあります。本製品は、モニター1台あたり9kgまで支持できます。

本製品で使用している部品の一部が紛失していたり損傷している状態で使用するものは絶対に止めて下さい。

ケーブルの一部が本製品の可動部に引っ掛かってしまった場合、傷害を負う恐れやモニターや本製品に損害が発生する恐れがあります。

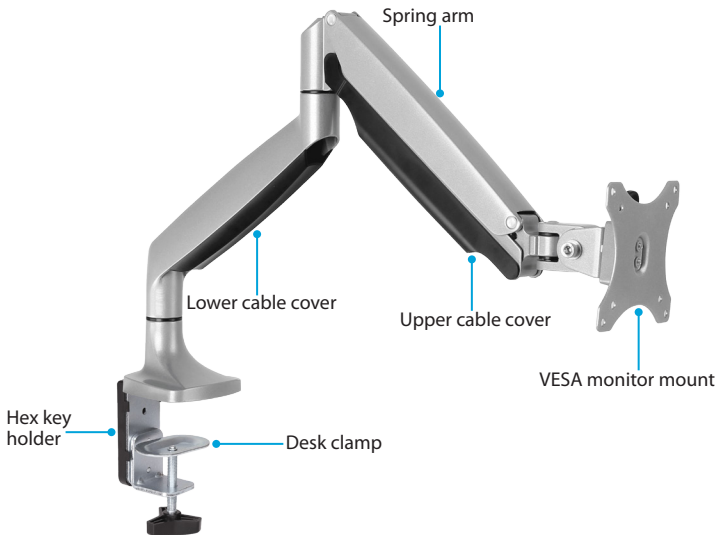
# Table of Contents

Warnings .....	i
<b>Introduction .....</b>	<b>1</b>
Product diagram.....	1
Product dimensions .....	2
Technical specifications .....	3
Package contents.....	4
Requirements.....	7
<b>Assembly .....</b>	<b>8</b>
Attach the ARMPIVOTHD to your mounting surface .....	8
Attach a monitor .....	14
Adjust the spring arm.....	16
Route your cables.....	18
Adjust the position of ARMPIVOTHD .....	21
<b>Technical support.....</b>	<b>22</b>
<b>Warranty information.....</b>	<b>22</b>

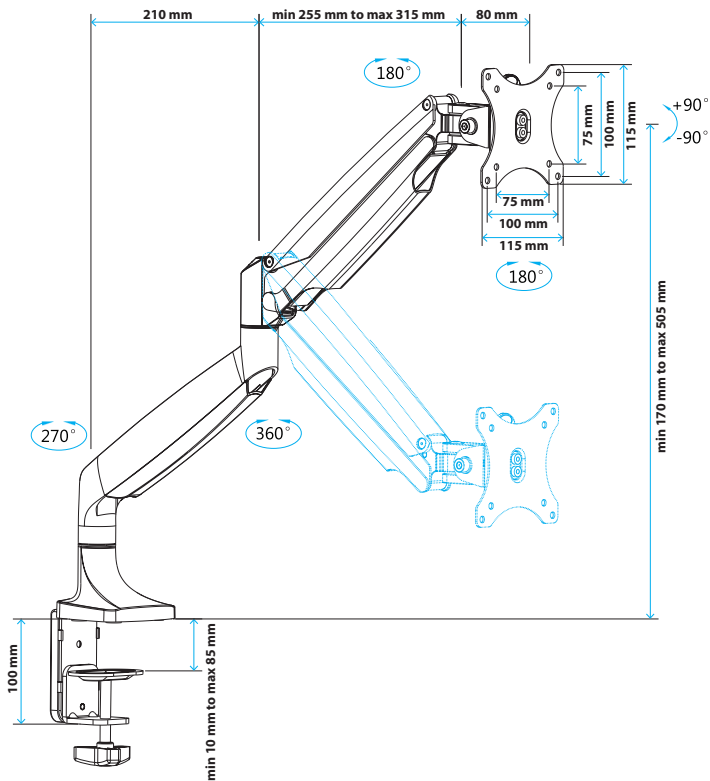
# Introduction

The ARMPIVOTHD is a heavy duty single-monitor arm that you can use to mount monitors up to 813 mm (32 in.) in size and 9 kg (19.8 lb.) in weight. The height of the ARMPIVOTHD can easily be adjusted with one touch, and the finish on the ARMPIVOTHD makes it an attractive addition to your workspace.




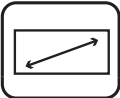
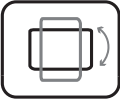

## Product diagram



# Product dimensions

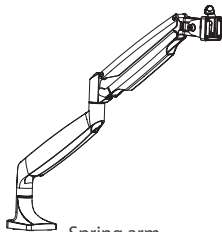


# Technical specifications

Type of measurement	Measurement
VESA mounting hole pattern 	75x75 100x100
Weight capacity 	Up to 9 kg (19.8 lb.)
Tilt 	+90° to -90°
Screen size 	Maximum 813 mm (32 in.)
Rotate 	180°
Swivel 	180°

# Package contents

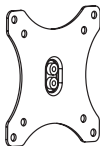
1



Spring arm

Qty: One

2



VESA monitor mount

Qty: One

3



Grommet base plate

Qty: One

4



Grommet knob

Qty: One

5



Grommet screw

Qty: One

6



Grommet plate

Qty: One



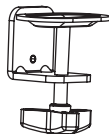
7



Rubber pads

Qty: Two

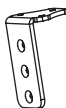
8



Desk clamp

Qty: One

9



L bracket

Qty: One

10



Clamp screws

Qty: Five

11



Hex key holder

Qty: One

12



4 mm hex key

Qty: One

13



5 mm hex key

Qty: One

14



6 mm hex key

Qty: One

15



M4x12 mm thumbscrews

Qty: Four

16



M5x12 mm screws

Qty: Four

17



Washers

Qty: Four

18



Spacers

Qty: Four



Instruction manual

Qty: One

## Requirements

- A monitor or display that's compatible with a VESA mount
- A Phillips screwdriver

Requirements are subject to change. For the latest requirements, please visit [www.StarTech.com/ARMPIVOTHD](http://www.StarTech.com/ARMPIVOTHD).

# Assembly

## Attach the ARMPIVOTHD to your mounting surface

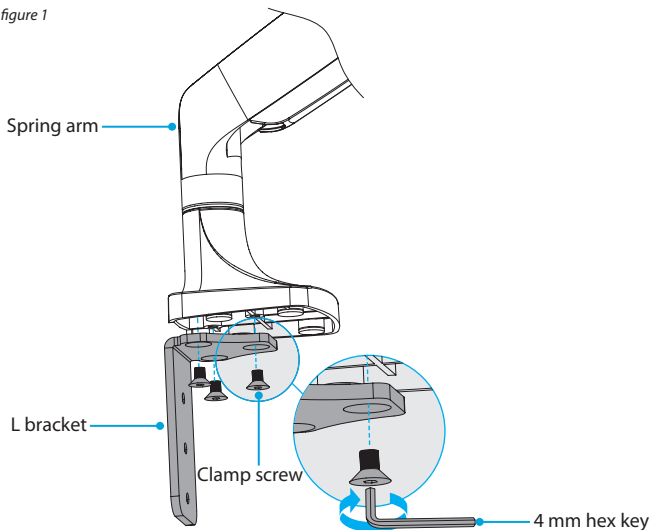
You can use either the desk clamp or grommet mount to attach the ARMPIVOTHD to your mounting surface.

### Use the desk clamp to attach the ARMPIVOTHD

**Warning!** Make sure that the weight of the monitor doesn't exceed the weight capacity of this product. If you exceed the weight capacity, you might experience personal injury or damage to the product. This product can support the following weight: Up to 9 kg (19.8 lb.).

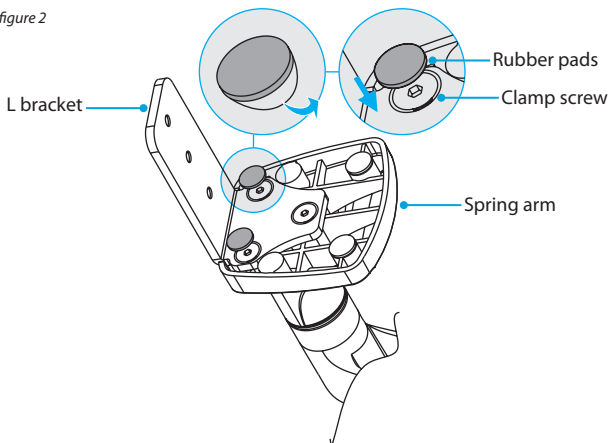
1. Line up the three holes on the top of the **L bracket (9)** with the holes on the bottom of the **spring arm (1)**.
2. Insert three of the **clamp screws (10)** through the **L bracket** and into the bottom of the **spring arm**.
3. Use the **4 mm hex key (12)** to tighten the **clamp screws**. (*figure 1*)

figure 1



4. Remove the backing from the two **rubber pads** (7) and affix the **rubber pads** to the tops of two of the **clamp screws** on the underside of the **L bracket** and **spring arm**. (figure 2)

figure 2



5. Depending on the thickness of your mounting surface, do one of the following:
- If your mounting surface is between 10 and 55 mm (0.4 and 2.2 in.) thick, position the **desk clamp** (8) so that the holes on the **desk clamp** line up with the top two holes in the **L bracket**. Insert two of the **clamp screws** through the **L bracket** and into the **desk clamp**. Use the **4 mm hex key** to tighten the **clamp screws**. (figure 3)
  - If your mounting surface is between 50 and 85 mm (1.9 and 3.3 in.) thick, position the **desk clamp** (8) so that the holes on the **desk clamp** line up with the bottom two holes in the **L bracket**. Insert two of the **clamp screws** through the **L bracket** and into the **desk clamp**. Use the **4 mm hex key** to tighten the **clamp screws**. (figure 4)

figure 3

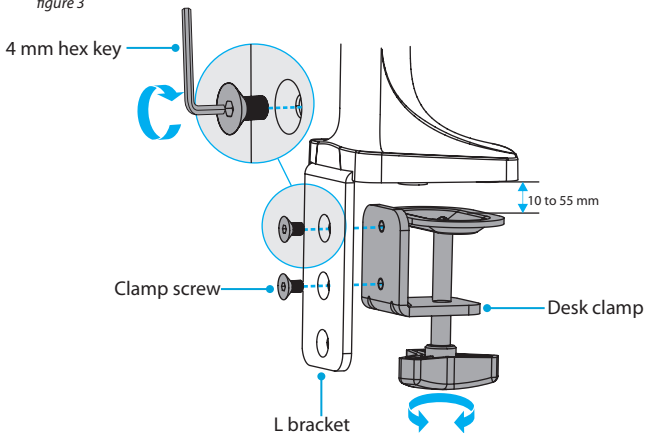
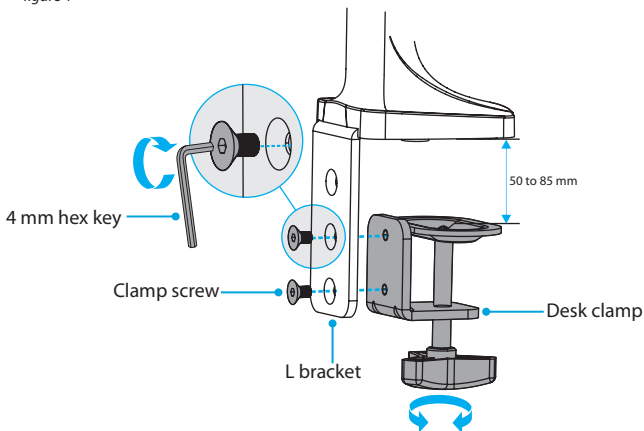
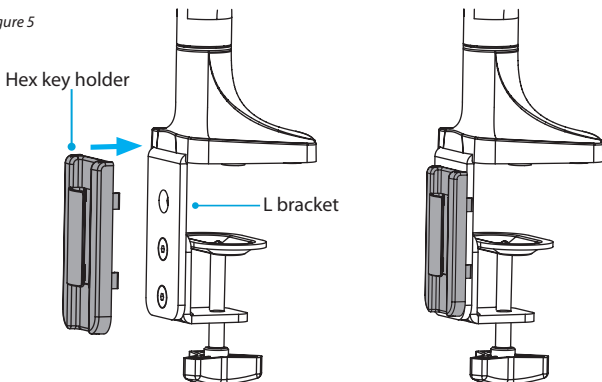


figure 4



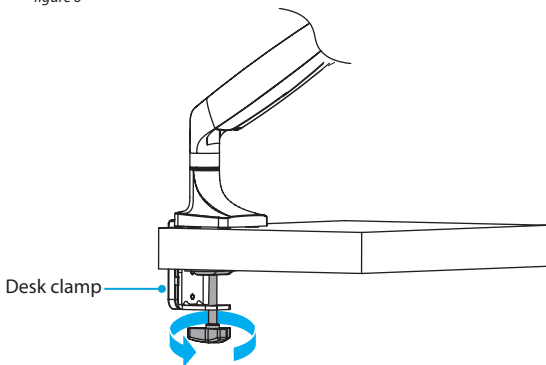
6. Snap the **hex key holder (11)** onto the **L bracket**. (*figure 5*)

*figure 5*



7. Turn the knob on the **desk clamp** counterclockwise until you reach the thickness of the mounting surface that you're attaching the ARMPIVOTHD to.
8. Slide the **desk clamp** over the edge of the mounting surface.
9. Turn the knob clockwise to tighten the **desk clamp**. (*figure 6*)

*figure 6*

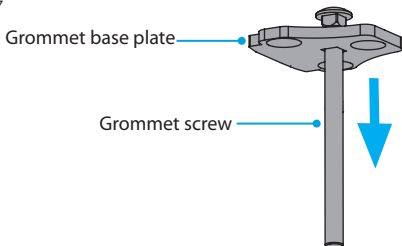


## Use the grommet mount to attach the ARMPIVOTHD

**Warning!** Make sure that the weight of the monitor doesn't exceed the weight capacity of this product. If you exceed the weight capacity, you might experience personal injury or damage to the product. This product can support the following weight: Up to 9 kg (19.8 lb.).

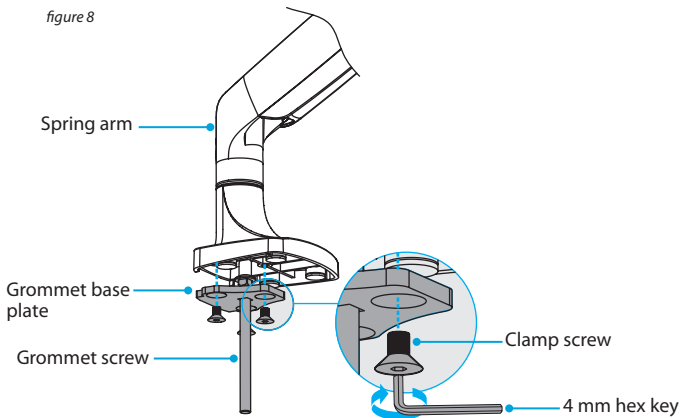
1. Insert the **grommet screw** (5) through the **grommet base plate** (3). (*figure 7*)

*figure 7*



2. Line up the three holes on the top of the **grommet base plate** with the holes on the bottom of the **spring arm** (1).
3. Insert three of the **clamp screws** (10) through the **grommet base plate** and into the bottom of the **spring arm**.
4. Use the **4 mm hex key** (12) to tighten the **clamp screws**. (*figure 8*)

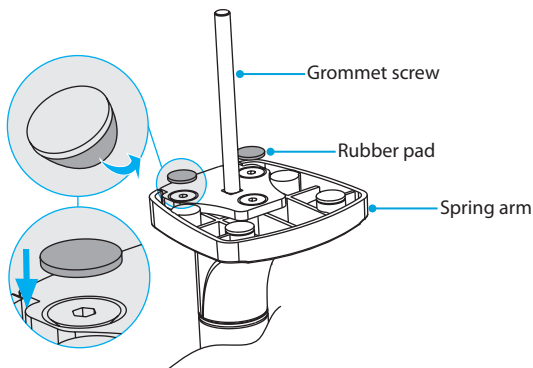
*figure 8*





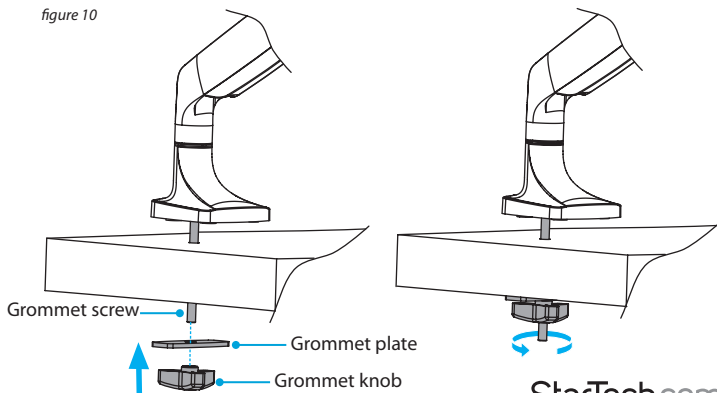
5. Remove the backing from the two **rubber pads** (7) and affix the **rubber pads** to the tops of two of the **clamp screws** on the underside of the **spring arm**. (*figure 9*)

*figure 9*



6. Place the assembled **spring arm** and **grommet screw** over the grommet hole in your mounting surface.
7. On the underside of the mounting surface, thread the **grommet plate** (6) through the **grommet screw** so that the **grommet plate** is flush against the mounting surface.
8. Screw the **grommet knob** (4) onto the **grommet screw** and turn the **grommet knob** clockwise to tighten it flush against the **grommet plate**. (*figure 10*)

*figure 10*



## Attach a monitor

**Warning!** Attaching a monitor is a two-person job. Do not attempt to complete this task by yourself.

To accommodate different monitor designs, the ARMPIVOTHD comes with two sets of screws that are different lengths and diameters, and a set of spacers.

To select the appropriate screws for the type of monitor that you're using, complete the following:

- Determine whether the back of the monitor is flush or inset.
- Determine the depth of the mounting holes on the monitor.
- Determine the diameter of the mounting holes on the monitor.

1. Do one of the following:

- If required, place the **spacers (18)** over the mounting holes on the back of your monitor, and position the **VESA monitor mount (2)** over the spacers. Make sure that you position the **VESA monitor mount** so that the arrow on the back of the **VESA monitor mount** is pointed towards the top of the monitor.
- Position the **VESA monitor mount (2)** over the mounting holes on the back of your monitor. Make sure that you position the **VESA monitor mount** so that the arrow on the back of the **VESA monitor mount** is pointed towards the top of the monitor.

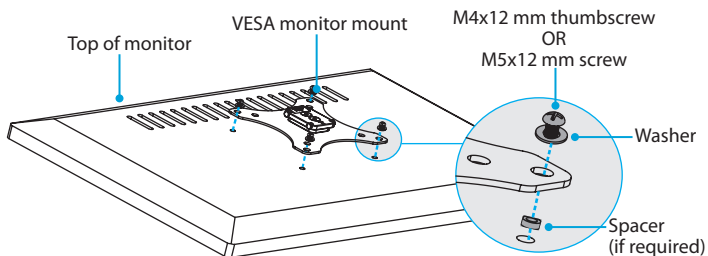
2. Position the four **washers (17)** over the holes on the **VESA monitor mount**.

3. Insert the four **M4x12 mm thumbscrews (15)** or the four **M5x12 mm screws (16)** through the **washers**, the **VESA monitor mount**, and into the back of the monitor. (*figure 11*)

4. Use a Phillips screwdriver to tighten the screws.

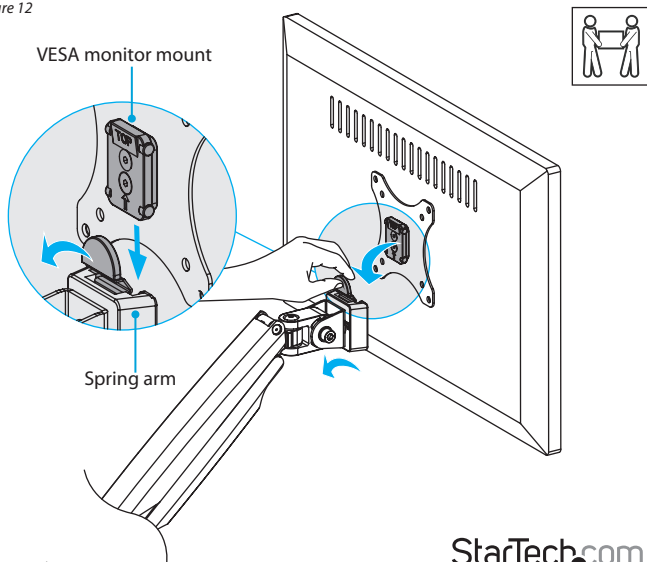
**Warning!** Do not over-tighten the screws. If you encounter resistance while you're tightening the screws, stop tightening. Failure to do so could result in damage to the monitor.

figure 11



5. Pull the tab on the **spring arm** (1), and slide the **VESA monitor mount** and monitor into the mount on the **spring arm**. (figure 12)

figure 12

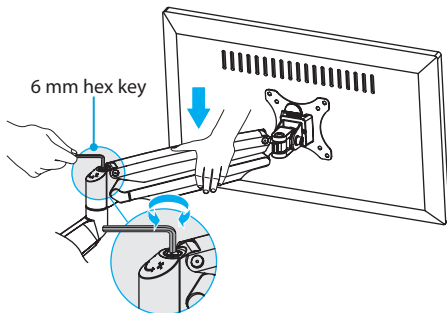


## Adjust the spring arm

You need to adjust the **spring arm** in two places.

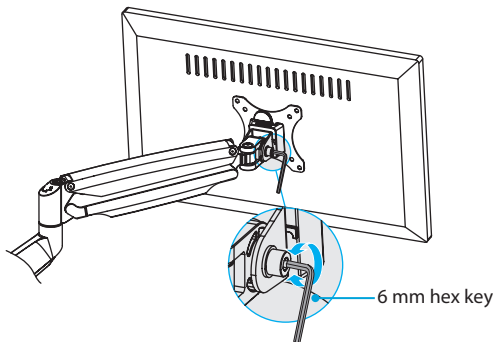
1. To increase or decrease the tension in the **spring arm** (1), hold down the **spring arm** so that it is straight, and use the **6 mm hex key** (14) to turn the screw in the joint of the **spring arm** counterclockwise or clockwise. (figure 13)

figure 13



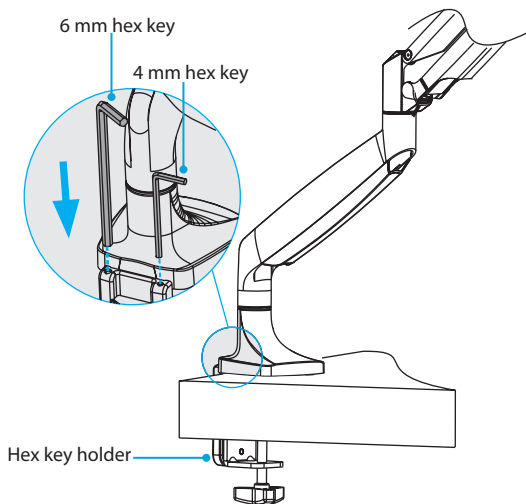
2. To change the angle that the monitor is tilted at, use the **6 mm hex key** to turn the screw in the side of the mount counterclockwise. When the screw is loose, position the monitor at the angle that works best for you. Use the **6 mm hex key** to turn the screw clockwise to tighten it. (figure 14)

figure 14



**Tip!** If you used the **desk mount** to mount the ARMPIVOTHD, when you're done adjusting the ARMPIVOTHD, you can store the hex keys in the **hex key holder (11)** on the side of the **L bracket (9)**. (*figure 15*)

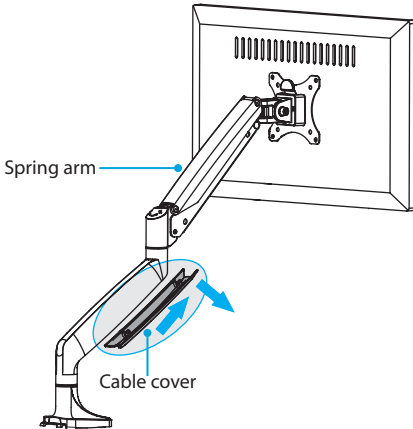
*figure 15*



# Route your cables

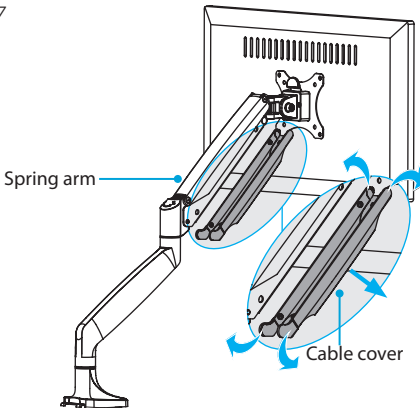
1. On the bottom portion of the **spring arm** (1), slide the **cable cover** up and away from the **spring arm**. (*figure 16*)

*figure 16*



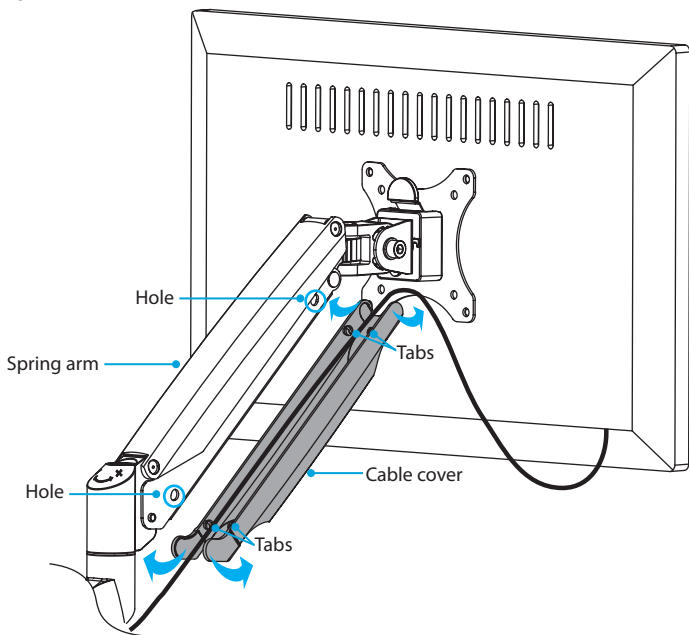
2. On the upper portion of the **spring arm**, pull the ends of the **cable cover** away from the **spring arm**, and remove the **cable cover** from the **spring arm**. (*figure 17*)

*figure 17*



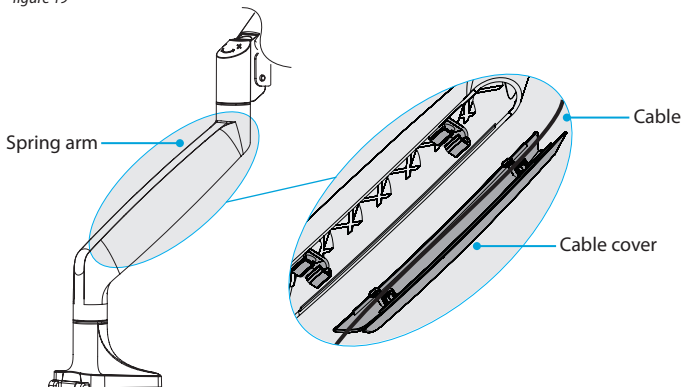
3. Run the cables along the inside of the **cable cover** that you removed from the upper portion of the **spring arm**.
4. To reattach the **cable cover**, pull out the ends of the **cable cover** and insert the **tabs** on the inside of the **cable cover** into the holes on the **spring arm**. (figure 18)

figure 18



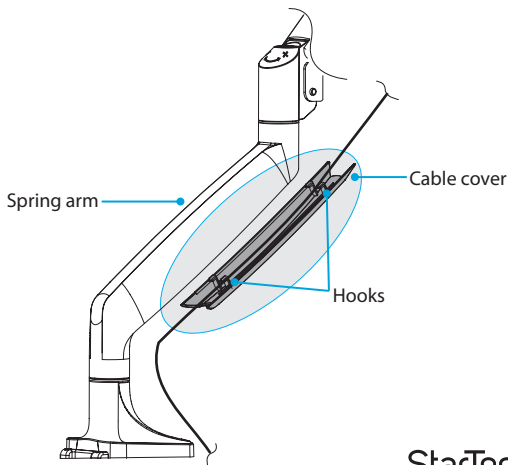
5. Run the cables along the inside of the **cable cover** that you removed from the bottom portion of the **spring arm**. (figure 19)

figure 19



6. Place the **cable cover** slightly higher than the cavity in the lower part of the **spring arm**, and slide the **cable cover** down so that the **hooks** on the **cable cover** slide into the clips in the **spring arm**. (figure 20)

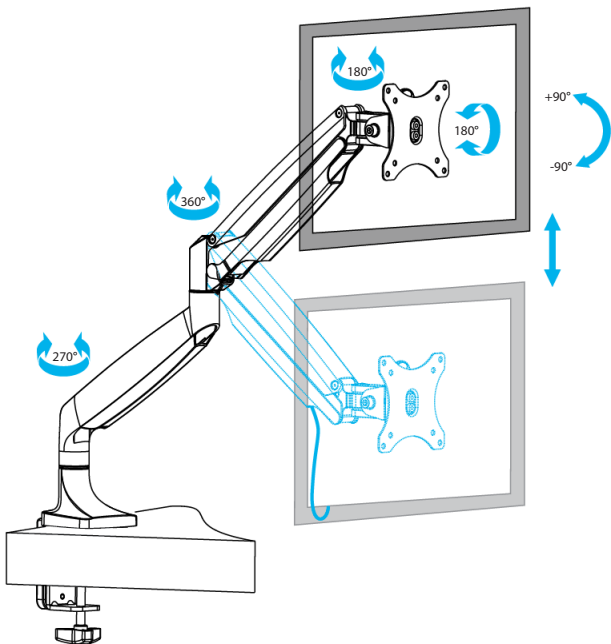
figure 20





# Adjust the position of ARMPIVOTHD

You can adjust ARMPIVOTHD in the following ways:



# Technical support

StarTech.com's lifetime technical support is an integral part of our commitment to provide industry-leading solutions. If you ever need help with your product, visit [www.startech.com/support](http://www.startech.com/support) and access our comprehensive selection of online tools, documentation, and downloads.

For the latest drivers/software, please visit [www.startech.com/downloads](http://www.startech.com/downloads)

## Warranty information

This product is backed by a two-year warranty.

StarTech.com warrants its products against defects in materials and workmanship for the periods noted, following the initial date of purchase. During this period, the products may be returned for repair, or replacement with equivalent products at our discretion. The warranty covers parts and labor costs only. StarTech.com does not warrant its products from defects or damages arising from misuse, abuse, alteration, or normal wear and tear.

### Limitation of liability

In no event shall the liability of StarTech.com Ltd. and StarTech.com USA LLP (or their officers, directors, employees or agents) for any damages (whether direct or indirect, special, punitive, incidental, consequential, or otherwise), loss of profits, loss of business, or any pecuniary loss, arising out of or related to the use of the product exceed the actual price paid for the product. Some states do not allow the exclusion or limitation of incidental or consequential damages. If such laws apply, the limitations or exclusions contained in this statement may not apply to you.

Hard-to-find made easy. At StarTech.com, that isn't a slogan. It's a promise.

StarTech.com is your one-stop source for every connectivity part you need. From the latest technology to legacy products — and all the parts that bridge the old and new — we can help you find the parts that connect your solutions.

We make it easy to locate the parts, and we quickly deliver them wherever they need to go. Just talk to one of our tech advisors or visit our website. You'll be connected to the products you need in no time.

Visit [www.startech.com](http://www.startech.com) for complete information on all StarTech.com products and to access exclusive resources and time-saving tools.

*StarTech.com is an ISO 9001 Registered manufacturer of connectivity and technology parts. StarTech.com was founded in 1985 and has operations in the United States, Canada, the United Kingdom and Taiwan servicing a worldwide market.*