

Dual-Monitor Desk Mount - with Grommet/Desk-Clamp Mount



*actual product may vary from photos

User Manual

SKU#: ARMBARDUOG

Compliance Statements

Use of Trademarks, Registered Trademarks, and other Protected Names and Symbols

This manual may make reference to trademarks, registered trademarks, and other protected names and/or symbols of third-party companies not related in any way to StarTech.com. Where they occur these references are for illustrative purposes only and do not represent an endorsement of a product or service by StarTech.com, or an endorsement of the product(s) to which this manual applies by the third-party company in question. Regardless of any direct acknowledgement elsewhere in the body of this document, StarTech.com hereby acknowledges that all trademarks, registered trademarks, service marks, and other protected names and/or symbols contained in this manual and related documents are the property of their respective holders.

PHILLIPS® is a registered trademark of Phillips Screw Company in the United States or other countries.

Safety Statements

Safety Measures

- Product installation and/or mounting should be completed by a certified professional as per the local safety and building code guidelines.

Mesures de sécurité

- L'installation et/ou le montage du produit doit être réalisé par un professionnel certifié et dans le respect des normes locales et du code de construction local.

安全対策

- 製品の設置やマウントは、使用地域の安全ガイドラインおよび建築基準に従い、有資格の専門業者が行うようにしてください。

Misure di sicurezza

- L'installazione e/o il montaggio dei prodotti devono essere eseguiti da un tecnico professionale certificato che conosca le linee guida locali sulle norme edilizie e sulla sicurezza.

Säkerhetsåtgärder

- Installation och/eller montering får endast göras av behöriga yrkespersoner och enligt gällande lokala förordningar för säkerhet och byggnormer.

Warning Statements


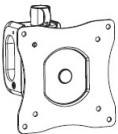
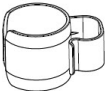













- Make sure to assemble this product according to the instructions. Failure to do so might result in personal injury or property damage.
- Never use this product if parts are missing or damaged.

Table of Contents

Compliance Statements	i
Safety Statements	ii
Warning Statements	iii
Product Information	1
Package Contents	1
Product Dimensions	2
Front View	2
Side View	2
Top View	3
Angled View (Includes Tilt Angles).....	3
Grommet Mount	4
VESA Mount	4
Technical Specifications	5
Requirements	6
Installation	7
Attach the ARMBARDUOG to Your Mounting Surface.....	7
Attach Monitor Arms to the Column	12
Attach Monitors	14
Attach the Cable-Management Clips	17
Operation	18
Adjust the Position of the Monitors	18
Warranty information	21

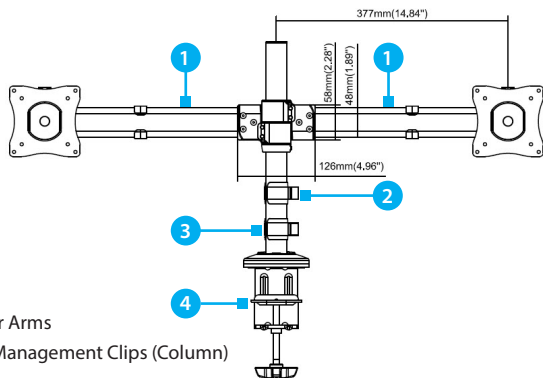
Product Information

Package Contents

			
Column x 1	VESA Adapter x 2	Cable- Management Clips (Column) x 2	Monitor Arms x 2
			
End Caps x 2	Cable- Management Clips (Monitor Arm) x 2	End-Cap Screws x 2	Desk-Mount Clamp x 1
			
Hex Key x 1	Hex Key Screwdriver x 1	M4x14 mm Screws x 8 (narrow) M5x14 mm Screws x 8 (wide)	Flat Washers x 8
			
Grommet- Mounting Adapter x 1	Grommet- Mounting Plate x 1	Rubber Pads x 5	Instruction Manual x 1

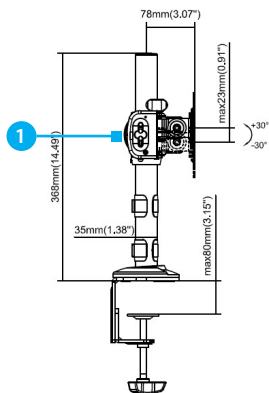
Product Dimensions

Front View



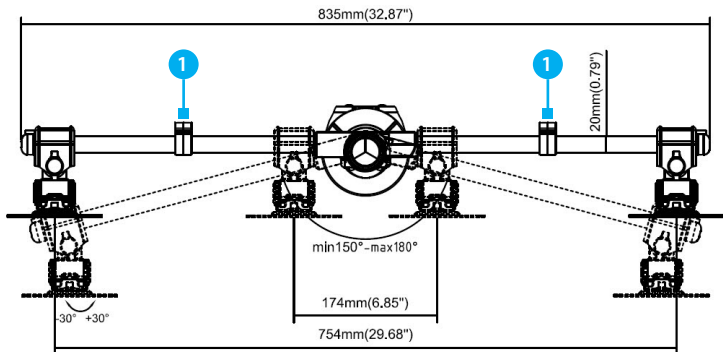
1. Monitor Arms
2. Cable-Management Clips (Column)
3. Column
4. Desk-Mount Clamp

Side View



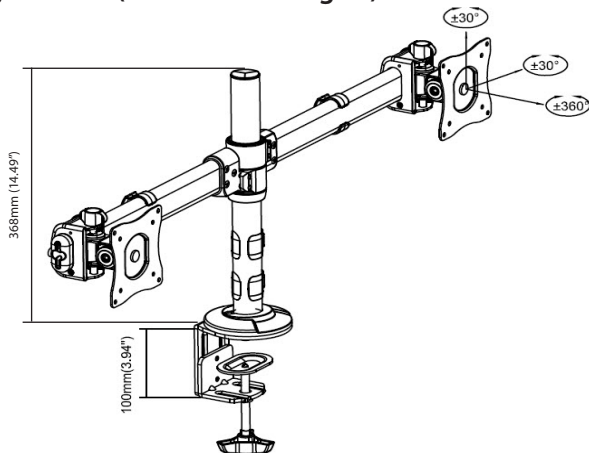
1. End Caps

Top View

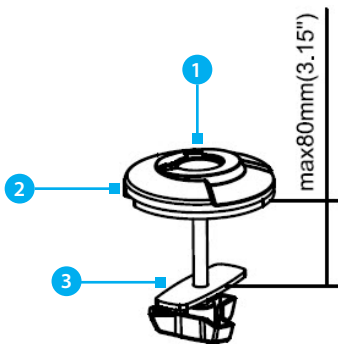


1. Cable-Management Clips (Monitor Arm)

Angled View (Includes Tilt Angles)

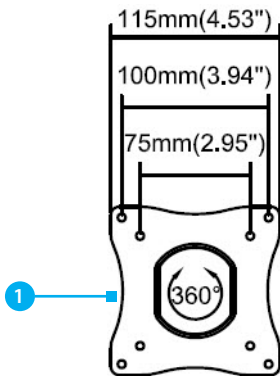


Grommet Mount






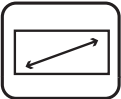
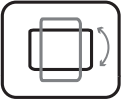

1. Mounting Cover
2. Grommet-Mounting Adapter
3. Grommet-Mounting Plate

VESA Mount



1. VESA Adapter

Technical Specifications

Type of Measurement	Measurement
VESA mounting hole pattern 	75x75 100x100
Weight capacity 	Up to 17.6 lb. (8 kg) per monitor mount
Tilt 	+30° to -30°
Screen size 	330 to 686 mm (13 to 27 in.)
Rotate 	360°
Swivel 	+30° to -30°

Requirements

- Two People for Installation
- Mounting Surface
 - Desk-Mount Clamp (on Desk Edge) or Grommet Mount (in Desktop Grommet)
- Two Monitors

Note: Both Monitors must conform to the size, weight and VESA pattern requirements (see [Technical Specifications](#)).
- Phillips Head Screwdriver

Installation

Attach the ARMBARDUOG to Your Mounting Surface

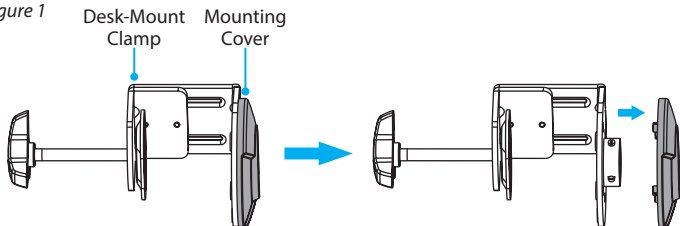
There are two ways that you can attach the ARMBARDUOG to a mounting surface: a **Desk-Mount Clamp** or a **Grommet Mount**. The **Desk-Mount Clamp** ships preassembled.

Use the Desk Clamp to Attach the ARMBARDUOG

Warning! Ensure that the weight of the **Monitors** does not exceed the weight capacity of this product. If you exceed the weight capacity, you may experience personal injury or damage to your **Monitors** and ARMBARDUOG. This product can support the following weight capacities: Up to 8 kg (17.6 lb.) per monitor mount, for a total of 16 kg (35.2 lb.).

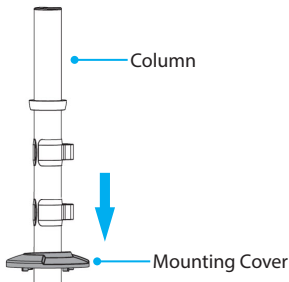
1. Remove the **Mounting Cover** from the top of the **Desk-Mount Clamp**. (Figure 1)

Figure 1



2. Thread the **Column** through the **Mounting Cover** that you removed from the **Desk-Mount Clamp**. (Figure 2)

Figure 2



3. Screw the **Column** into the top of the **Desk-Mount Clamp**. (Figure 3)
4. Use the **Hex Key Screwdriver** to tighten the screws in the **Desk-Mount Clamp**. (Figure 4)

Figure 3

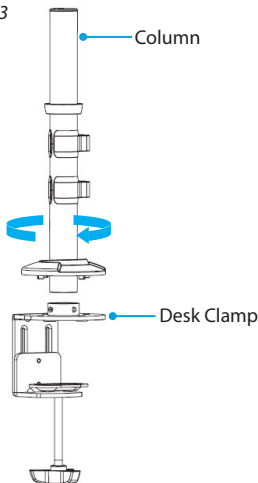
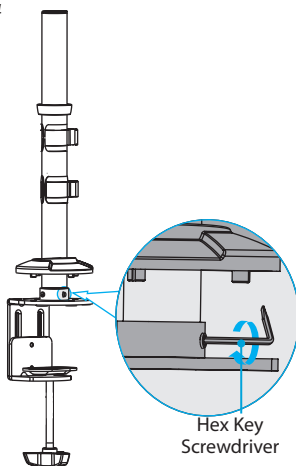
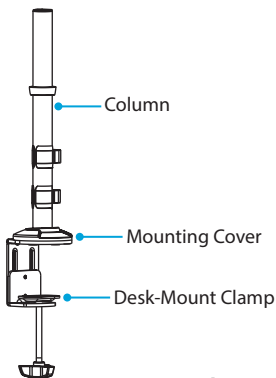


Figure 4



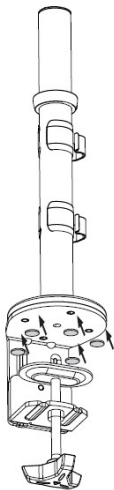
5. Seat the **Mounting Cover** so that it is flush with the top of the **Desk-Mount Clamp**. (Figure 5)

Figure 5



- Remove the backing from the five **Rubber Pads** and attach them underneath the top of the **Desk-Mount Clamp**, on the surface touching the table. (Figure 6)

Figure 6

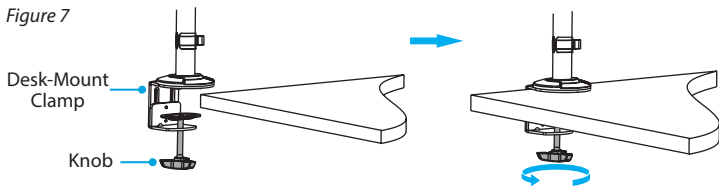


- Turn the knob on the **Desk-Mount Clamp** counterclockwise until it reaches the thickness of the **Desk**.

Note: The **Desk-Mount Clamp** can accommodate a **Mounting Surface** that is between 10 and 80 millimeters (0.4 and 3.1 inches) thick.

- Slide the **Desk-Mount Clamp** over the edge of the **Mounting Surface** (Figure 7).
- Turn the **Knob** clockwise to tighten the **Desk-Mount Clamp**.

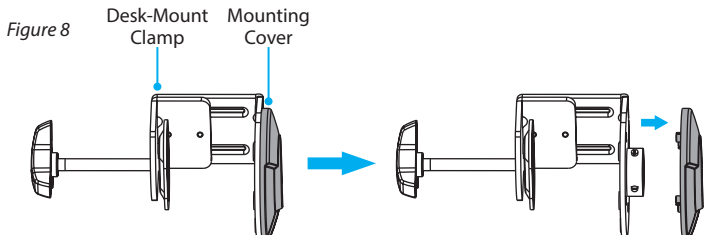
Figure 7



Use the Grommet Mount to Attach the ARMBARDUOG

Warning! Ensure that the weight of the **Monitors** does not exceed the weight capacity of this product. If you exceed the weight capacity, you may experience personal injury or damage to your **Monitors** and ARMBARDUOG. This product can support the following weight capacities: Up to 8 kg (17.6 lb.) per monitor mount, for a total of 16 kg (35.2 lb.).

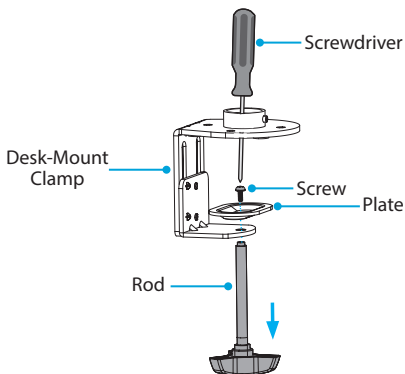
1. Remove the **Mounting Cover** from the top of the **Desk-Mount Clamp**. (Figure 8)



2. Insert a **Phillips Head Screwdriver** through the top of the **Desk-Mount Clamp** and unscrew the **Screw**. Remove the **Washer, Screw, Plate, and Rod**. (Figure 9)

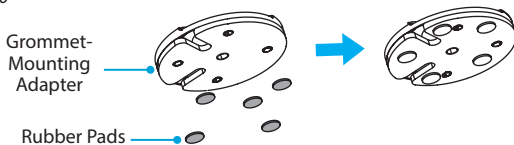
Tip! Keep the **Washer, Screw** and **Plate** in a safe place so that you can use them again if you want to switch back to the **Desk-Mount Clamp**.

Figure 9



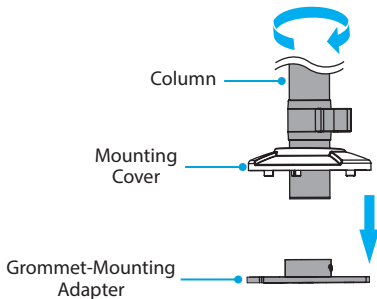
3. Affix the **Rubber Pads** to the bottom of the **Grommet-Mounting Adapter**. (Figure 10)

Figure 10



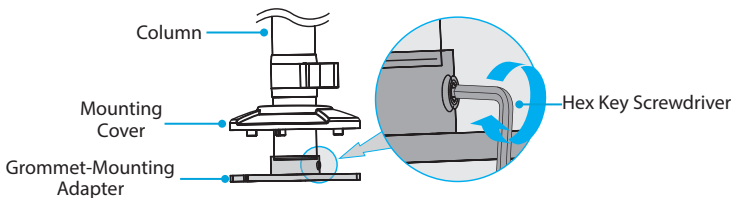
4. Slide the **Mounting Cover** over the **Column** and screw the **Column** into the top of the **Grommet-Mounting Adapter**. (Figure 11)

Figure 11



5. Use the hex side of the **Hex Key Screwdriver** to tighten the two **Hex Screws** in the **Grommet-Mounting Adapter**, and push down the **Mounting Cover** so that it sits flush with the **Grommet-Mounting Adapter**. (Figure 12)

Figure 12



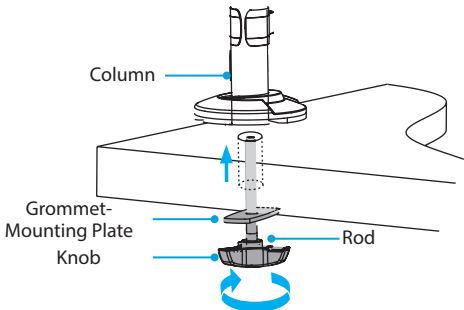
6. Thread the **Grommet-Mounting Plate** onto the **Rod**.
7. Place the assembled **Column** and **Grommet-Mounting Adapter** over the grommet hole in the **Mounting Surface**. On the underside of the **Mounting Surface**, insert the **Rod** up through the grommet hole and into the **Column**.

Note: The **Grommet-Mounting Adapter** can accommodate a grommet hole that is between 10.5 and 50 millimeters (0.41 and 1.96 inches) in diameter.

Note: The **Grommet-Mounting Adapter** can accommodate a **Mounting Surface** that is between 10 and 80 millimeters (0.4 and 3.1 inches) thick.

8. Turn the **Knob** clockwise to tighten. (Figure 13)

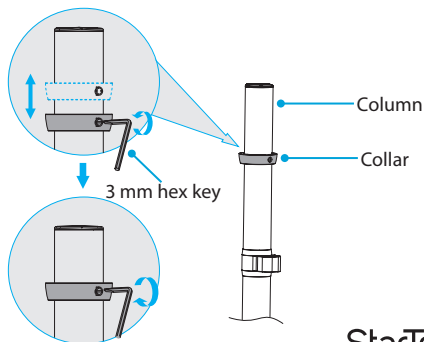
Figure 13



Attach Monitor Arms to the Column

1. Use the **Hex Key Screwdriver** to loosen the two screws in the **Collar**.
2. Slide the **Collar** to the height that you want the two **Monitors** to sit at, and use the **Hex Key Screwdriver** to tighten the two **Screws** in the **Collar**. (Figure 14)

Figure 14



- Slide one of the **Monitor Arms** down the **Column** so that it sits against the **Collar**.
- Slide a second **Monitor Arm** down the **Column** so that it sits against the first **Monitor Arm**. (Figure 15)

Note: When you assemble the ARMBARDUOG for the first time, you need to use the **Hex Key** to tighten the **Screws** in each of the **Monitor Arm** joints. (Figure 16)

Figure 15

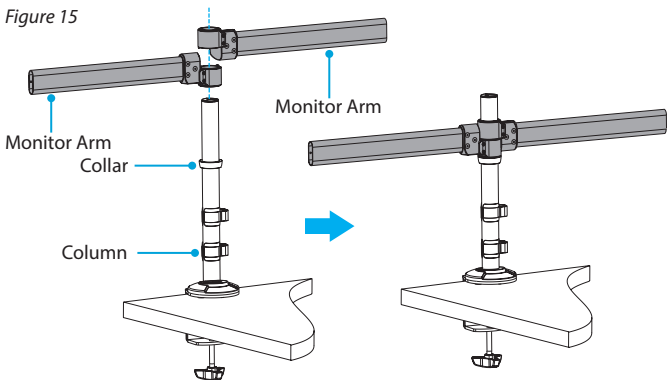
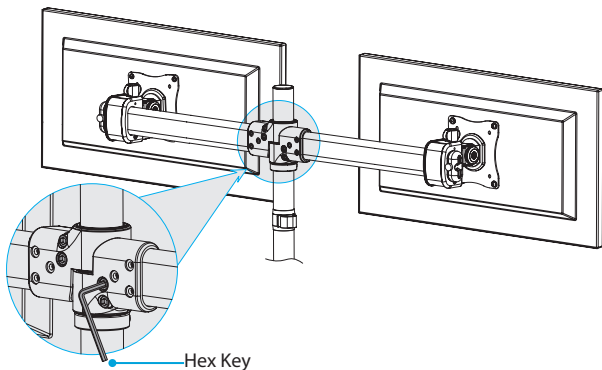


Figure 16



Attach Monitors

Warning! Attaching the **Monitors** is a two-person job. Do not attempt to complete this task by yourself.

To accommodate different **Monitor** designs, the ARMBARDUOG comes with two sets of **Screws** that are different lengths and diameters.

To select the appropriate **Screws** for the type of **Monitors** that you're using, complete the following:

- Determine whether the back of the **Monitors** are flush or inset.
- Determine the depth of the mounting holes on the **Monitors**.
- Determine the diameter of the mounting holes on the **Monitors**.

1. Position one of the **VESA Adapters** over the mounting holes on the back of one of the **Monitors**.

Note: Make sure that you position the **VESA Adapter** so that the adjustment thumbscrew on the **VESA Adapter** is facing towards the top of the **Monitor**.

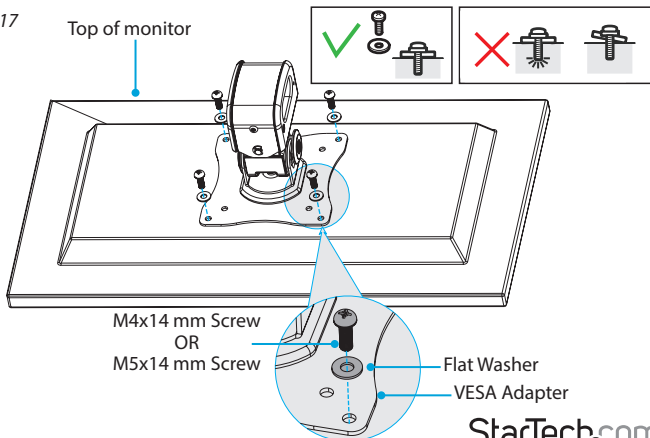
2. Position four of the **Flat Washers** over the holes on the **VESA Adapter**.

3. Insert four of the **M4x14 mm Screws** or the **M5x14 mm Screws** through the **Washers**, the **VESA Adapter**, and into the **Monitor**. (Figure 17)

4. Use a **Phillips Screwdriver** to tighten the **Screws**.

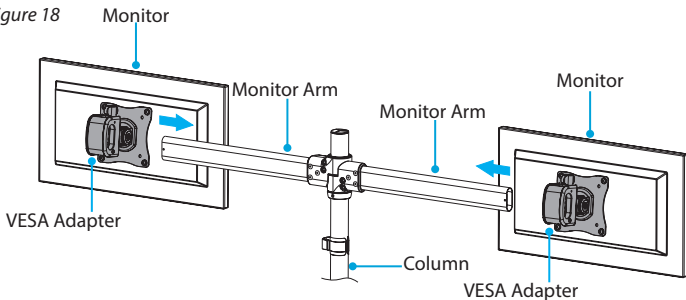
Warning! Do not over-tighten the **Screws**. If you encounter resistance while you're tightening the **Screws**, stop tightening. Failure to do so could result in damage to the **Monitor**.

Figure 17



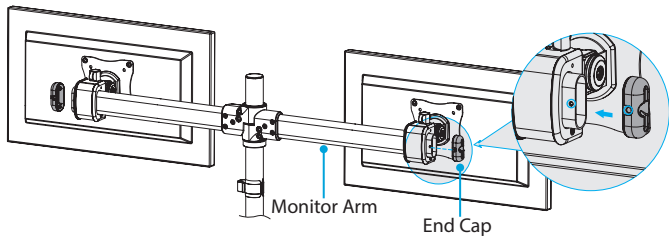
- Complete steps 1 to 4 to add a **VESA Adapter** to a second monitor.
- Slide one of the **VESA Adapters** with the **Monitor** attached over the end of one of the **Monitor Arms** attached to the **Column**.
- Slide the second **VESA Adapter** and **Monitor** onto the other **Monitor Arm**. (Figure 18)
- Place an **End Cap** over the end of each of the **Monitor Arms** attached to the **Column**. (Figure 19)

Figure 18



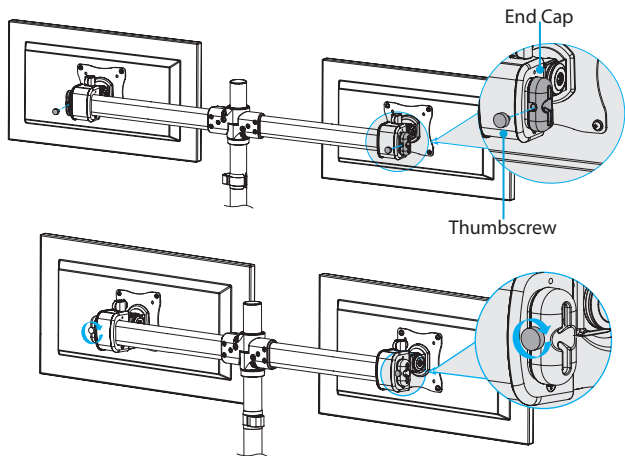
Note: Ensure that the hole on each of the **End Caps** with is lined up with the corresponding hole on the end of each of the **Monitor Arms**.

Figure 19



9. Insert an **End-Cap Screw** through the hole in each of the **End Caps** and into the **Monitor Arms**, and tighten the **End-Cap Screws** in place. (Figure 20)

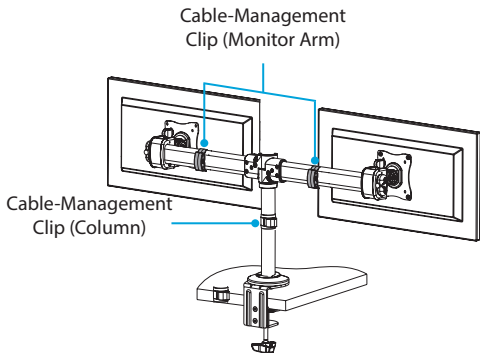
Figure 20



Attach the Cable-Management Clips

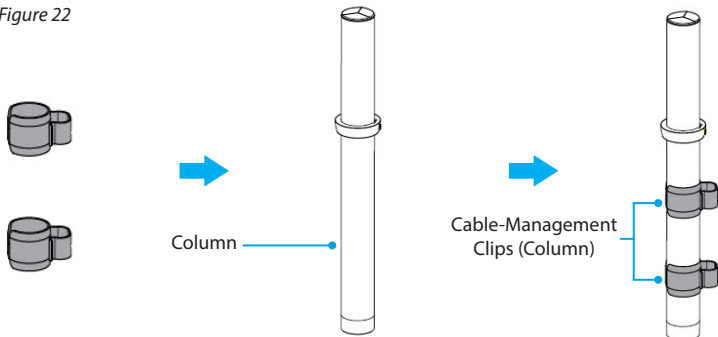
1. Snap one of the **Cable-Management Clips (Monitor Arm)** over each of the two **Monitor Arms**. (Figure 21)

Figure 21



2. Snap the two **Cable-Management Clips (Column)** over the **Column**. (Figure 22)

Figure 22



3. Route the **Monitor Cables** through the **Cable-Management Clips** on the **Monitor Arms** and through the **Cable-Management Clips** on the **Column**.

Operation

Adjust the Position of the Monitors

You can configure the **Monitors** in many ways: (Figure 23 & 24):

Figure 23

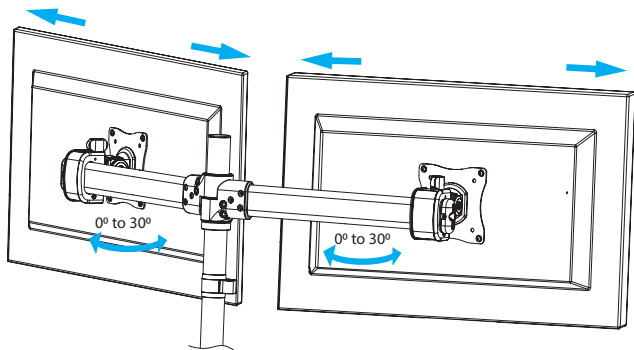
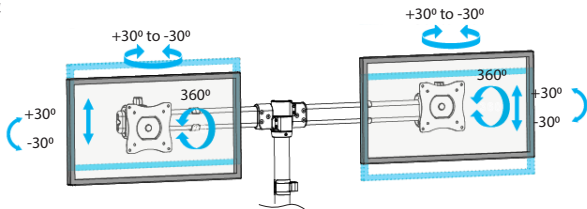


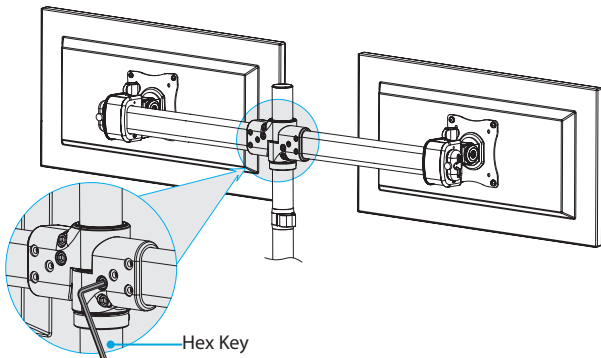
Figure 24



1. To position the **Monitors**:

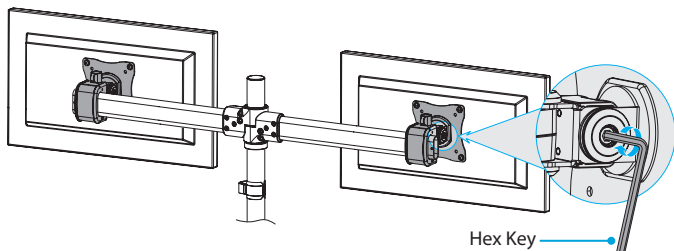
- To adjust the angle of the **Monitor Arms**, use the **Hex Key** to loosen the two **Screws** at each of the **Monitor Arm** joints. Position the **Monitors** as desired, and use the **Hex Key** to tighten the **Screws** and lock the **Monitors** into position. (Figure 25)

Figure 25



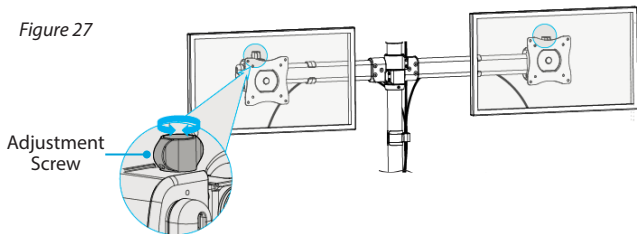
- To tilt the **Monitors**, use the **Hex Key** to loosen the **Screw** in the sides of the **VESA Adapters**. Position the **Monitors** as desired, and use the **Hex Key** to tighten the **Screws** and lock the **Monitors** into position. (Figure 26)

Figure 26



- To raise or lower the **Monitors** minutely, use the **Adjustment Screws** located on the top of the **VESA Adapters**. (Figure 27)

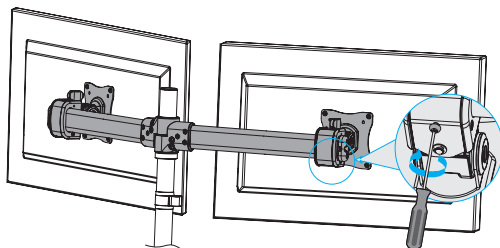
Figure 27



- To move the **Monitors** along the **Monitor Arms**, use a **Phillips Head Screwdriver** to loosen the **Screw** located on the underside of each of the **VESA Adapters**. Move the **Monitors** left or right on the **Monitor Arms**, and tighten each of the **Screws** when the **Monitors** are in the desired locations. (Figure 28)

Warning! Make sure that you loosen the **Screw** on the underside of the **VESA Adapters** before you move them along the **Monitor Arms**. If you move the **VESA Adapters** without loosening the **Screws**, you might damage the surface of the **Monitor Arms**.

Figure 28



Warranty Information

This product is backed by a five-year warranty.

StarTech.com warrants its products against defects in materials and workmanship for the periods noted, following the initial date of purchase. During this period, the products may be returned for repair, or replacement with equivalent products at our discretion. The warranty covers parts and labor costs only.

StarTech.com does not warrant its products from defects or damages arising from misuse, abuse, alteration, or normal wear and tear.

Limitation of Liability

In no event shall the liability of StarTech.com Ltd. and StarTech.com USA LLP (or their officers, directors, employees or agents) for any damages (whether direct or indirect, special, punitive, incidental, consequential, or otherwise), loss of profits, loss of business, or any pecuniary loss, arising out of or related to the use of the product exceed the actual price paid for the product.

Some states do not allow the exclusion or limitation of incidental or consequential damages. If such laws apply, the limitations or exclusions contained in this statement may not apply to you.

Hard-to-find made easy. At StarTech.com, that isn't a slogan. It's a promise.

StarTech.com is your one-stop source for every connectivity part you need. From the latest technology to legacy products — and all the parts that bridge the old and new — we can help you find the parts that connect your solutions.

We make it easy to locate the parts, and we quickly deliver them wherever they need to go. Just talk to one of our tech advisors or visit our website. You'll be connected to the products you need in no time.

Visit www.startech.com for complete information on all StarTech.com products and to access exclusive resources and time-saving tools.

StarTech.com is an ISO 9001 Registered manufacturer of connectivity and technology parts. StarTech.com was founded in 1985 and has operations in the United States, Canada, the United Kingdom and Taiwan servicing a worldwide market.

Reviews

Share your experiences using StarTech.com products, including product applications and setup, what you love about the products, and areas for improvement.

StarTech.com Ltd.

45 Artisans Cres.
London, Ontario
N5V 5E9
Canada

FR: fr.startech.com

DE: de.startech.com

StarTech.com LLP

2500 Creekside Pkwy.
Lockbourne, Ohio
43137
U.S.A.

ES: es.startech.com

NL: nl.startech.com

StarTech.com Ltd.

Unit B, Pinnacle
15 Gowerton Rd.,
Brackmills
Northampton
NN4 7BW
United Kingdom

IT: it.startech.com

JP: jp.startech.com