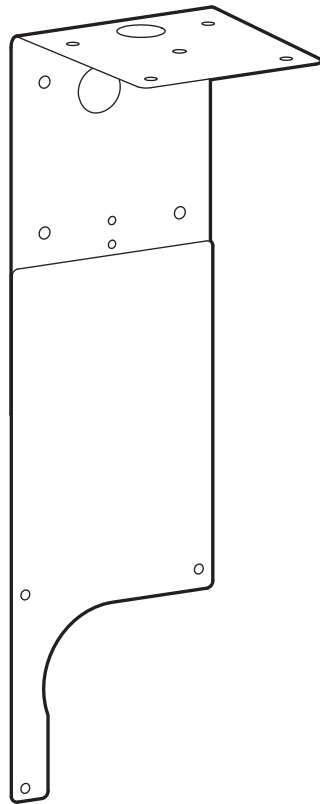


ergotron®

Universal Thermal Camera Mount



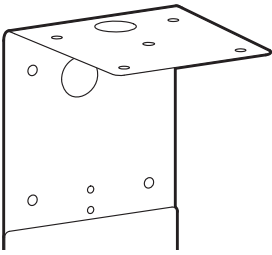
English



For the latest User Installation Guide please visit: www.ergotron.com

English, Español, Français, Deutsch, Nederlands, Italiano, Svenska, 日本語, 汉语

www.ergotron.com | USA: 1-800-888-8458 | Europe: +31 (0)33-45 45 600 | China: 400-120-3051 | Japan: japansupport@ergotron.com



Max weight: 3 lbs (1.4 kg)



CAUTION: Do Not Exceed Maximum Listed Weight Capacity. Failure to heed this caution may cause serious Injury or property damage to occur.

Weight Capacity Limitations for Carts with Added Camera Shelf					
	SV41	SV42 SLA	SV42 LiFe	SV31	SV32
LCD Arm or 5" Lift Pivot without lock-out	8 lbs. (3.6 kg)	8 lbs. (3.6 kg)	5 lbs. (2.3 kg)	10 lbs. (4.5 kg)	10 lbs. (4.5 kg)
5" Lift with lock-out	14 lbs. (6.4 kg)	14 lbs. (6.4 kg)	14 lbs. (6.4 kg)	14 lbs. (6.4 kg)	14 lbs. (6.4 kg)



CAUTION: Do Not Exceed Maximum SV LCD Cart Weight Capacity 35 lbs. (16 kg). This is the sum of LCD monitor, CPU, keyboard/mouse, camera and any worksurface load, including drawers, if present. Failure to heed this caution may cause serious Injury or property damage to occur.

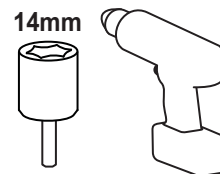
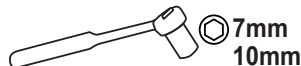


Components

	A	B	C	D
1	1x	1x	1x	1x
2	1x		3x	4x
3	2x	2x	4x	4x



Tools Needed

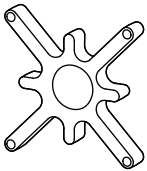
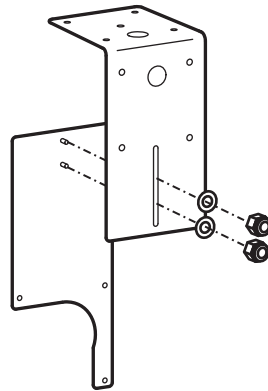
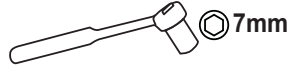


1

2x M4

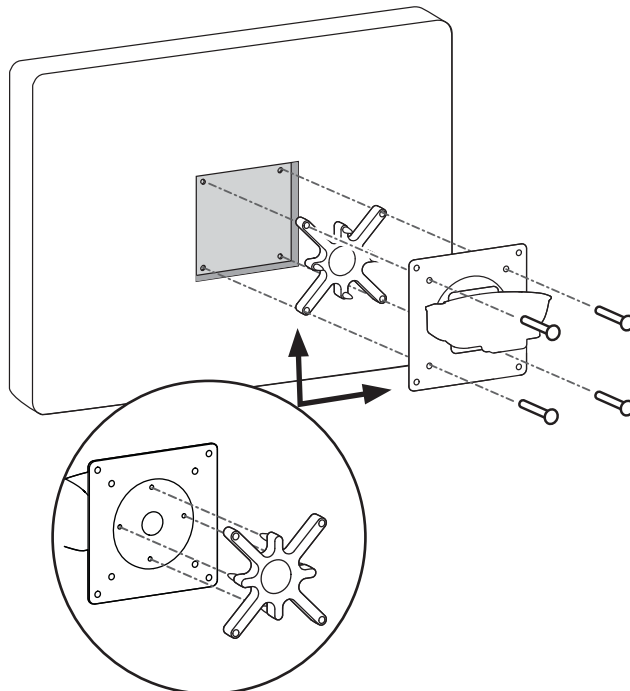


2x M4



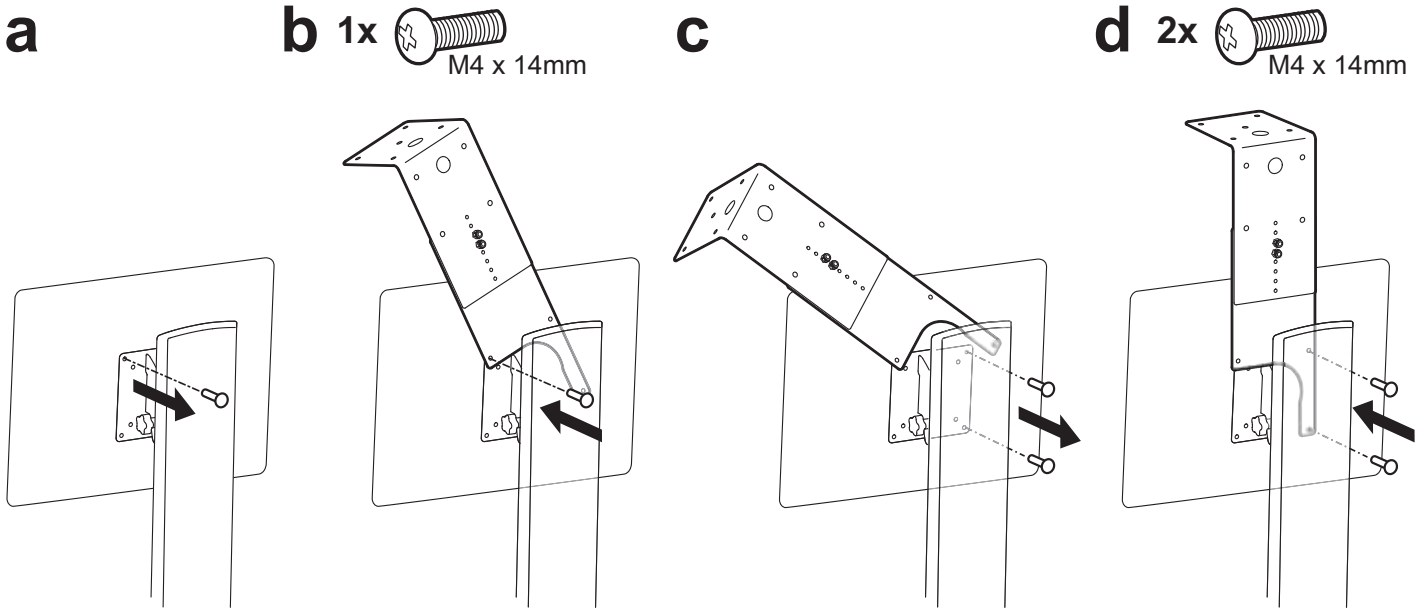
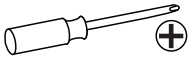
If your monitor has recessed mounting holes, you need to add the provided spacer between the monitor and the mounting plate.

- Remove the monitor from the cart and set aside on a clean and level surface. The monitor screws can be discarded.
- Attach the spacer to the monitor with the four provided M4x25mm Phillips screws.
- Reattach the monitor to the cart.
- When following step 2 instructions on next page, DO NOT discard the M4x25mm screws. They should be used to mount the shelf/bracket assembly.



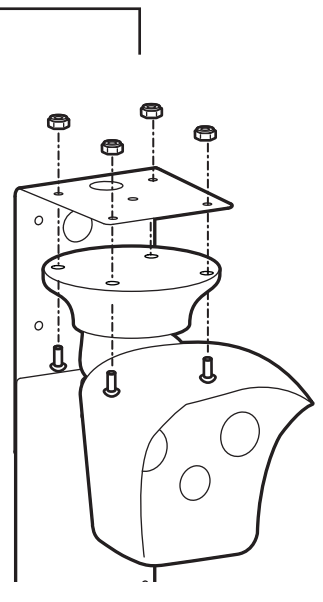
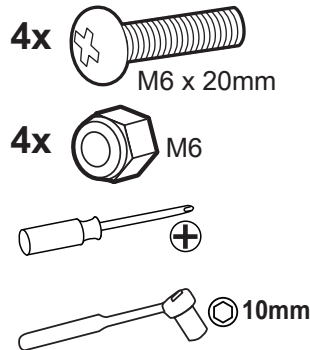
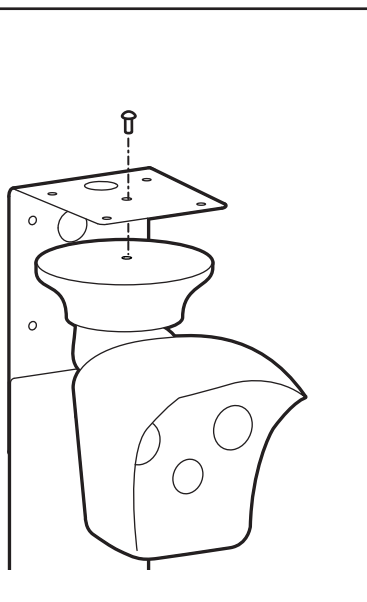
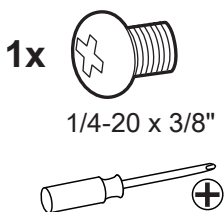
2

- a. Remove the top, left screw and discard. (If using spacer, do not discard the screw!)
- b. Slip the shelf/bracket assembly behind the monitor plate and insert one of the provided M4x14mm Phillips screw into the top, left hole. (If using spacer, reinsert the M4x25mm screw removed in step 2a, above.) Allow screw to be secure but not tight.
- c. Remove the two, right screws and discard. (If using spacer, do not discard the screw!)
- d. Slip the other end of the shelf/bracket assembly behind the monitor plate and insert the two M4x14mm Phillips screws into the right holes. (If using spacer, reinsert the two M4x25mm screws removed in step 2c.) Tighten screws.



3

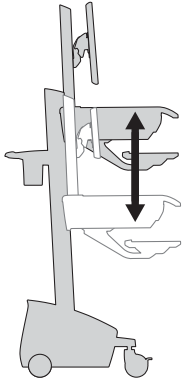
2 Mounting Options



4

Adjustment Step

Lift – Up and down

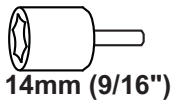


Once the camera has been mounted to the shelf, it is important that you adjust the lift tension for the additional weight. Test the lift tension by moving the head unit up and down. If it travels smoothly and easily through the full range of motion, and does not drift up or sag down from the place you set it, the tension is good. If not, adjust as directed below:

To change lift tension:

- a. Remove cap.
- b. Turn adjustment nut with a 14mm (9/16") socket head.
- c. Test lift tension by lifting head unit up and down.
- d. When desired lift tension has been achieved, replace cap.

b

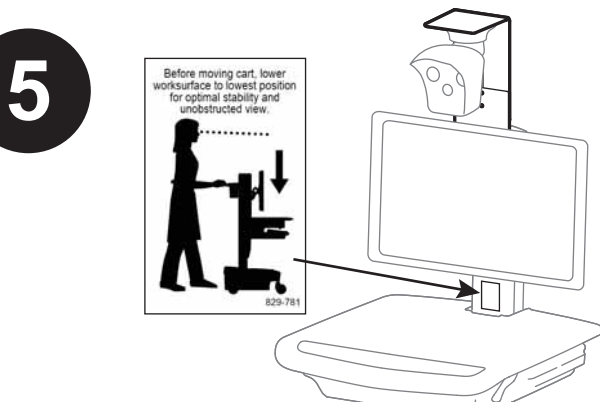
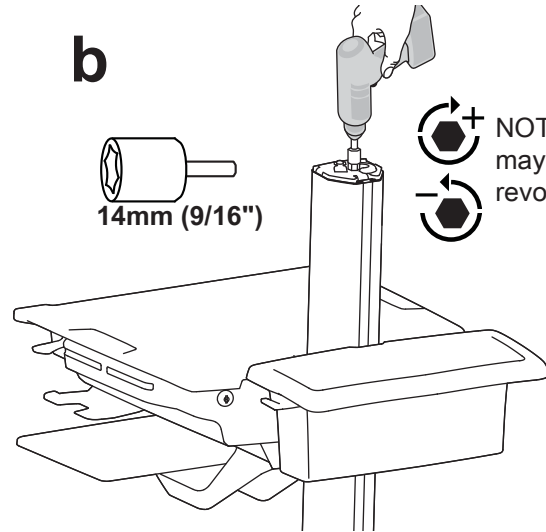
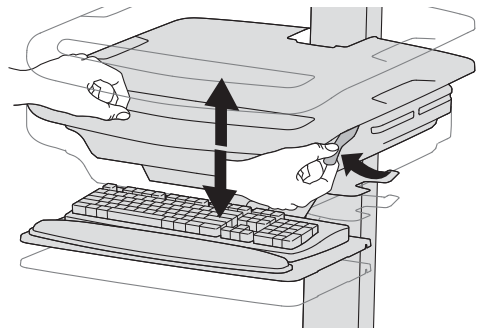


14mm (9/16")



NOTE: Adjustment may require 40 - 60 revolutions.

c



5

ergotron®

For Warranty visit: www.ergotron.com/warranty

For Service visit: www.ergotron.com

For local customer care phone numbers visit: <http://contact.ergotron.com>

www.ergotron.com | USA: 1-800-888-8458 | Europe: +31 (0)33-45 45 600 | China: 400-120-3051 | Japan: japansupport@ergotron.com

© 2020 Ergotron, Inc. All rights reserved.

While Ergotron, Inc. makes every effort to provide accurate and complete information on the installation and use of its products, it will not be held liable for any editorial errors or omissions (including those made in the process of translation from English to another language), or for incidental, special or consequential damages of any nature resulting from furnishing this instruction and performance of equipment in connection with this instruction. Ergotron, Inc. reserves the right to make changes in the product design and/or product documentation without notification to its users. For the most current product information, or to know if this document is available in languages other than those herein, please contact Ergotron. No part of this publication may be reproduced, stored in a retrieval system, or transmitted in any form or by any means, electronic, mechanical, photocopying, recording or otherwise without the prior written consent of Ergotron, Inc., 1181 Trapp Road, Eagan, Minnesota, 55121, USA Patents Pending and Patented U.S. & Foreign. Ergotron is a registered trademark of Ergotron, Inc.