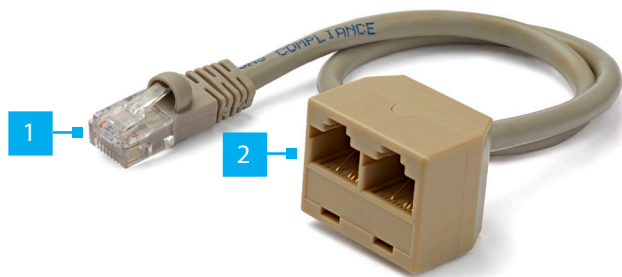


## 2-to-1 RJ45 Splitter Cable Adapter - F/M

### Product Diagram (RJ45SPLITTER)



Component	Function
1 RJ45 Connector	• Connect the <b>Cable Adapter</b> to an existing <b>Network</b> .
2 RJ45 Ports	• Allows you to connect up to 2 <b>Network Devices</b> to an existing <b>Network</b> .

### Requirements

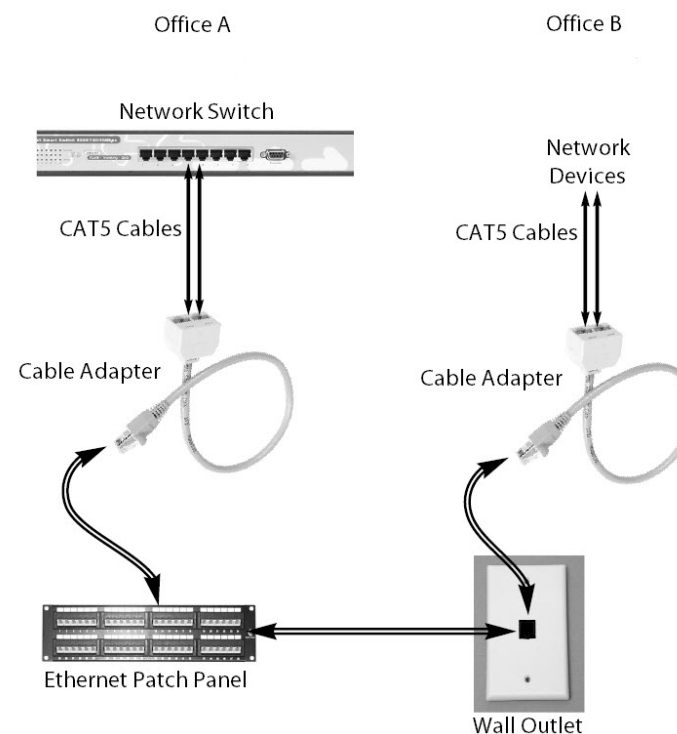
For the latest requirements, please visit [www.startech.com/RJ45SPLITTER](http://www.startech.com/RJ45SPLITTER)

- Network Devices x 2 (max 2)
- CAT5 Cables x 2
- Existing Network

### Installing the Cable Adapter

1. Connect the **RJ45 Connector** on the **Cable Adapter** to an RJ45 port on a **Network Device** (Ethernet Patch Panel, Wall Outlet, etc.).  
**Note:** The **CAT5 Cable** on the **Cable Adapter** combines the signals of 2 connections over the one **CAT5 Cable**.
2. Connect a **CAT5 Cable** to the **RJ45 Port** on the **Cable Adapter** and the other side to an RJ45 port on a **Network Device**.
3. Repeat step 2 to connect a second **Network Device** to the **Cable Adapter**.

### Connectivity Diagram



The **Connectivity Diagram** lays out the following scenario:

**Scenario:** A company has two offices (A and B). A single CAT5 Ethernet drop connects Office B to the network. The company wants to put a network printer and wireless access point in Office B. They would like to have a dedicated Ethernet connection for each device back to the Network Switch in Office A.

**Solution:** By using the two **Cable Adapters** one at each location, the company can combine two connections to the switch over the existing wiring at Office A and split the signal back into two connections at Office B.

### **FCC Compliance Statement**

This equipment has been tested and found to comply with the limits for a Class B digital device, pursuant to part 15 of the FCC Rules. These limits are designed to provide reasonable protection against harmful interference in a residential installation. This equipment generates, uses and can radiate radio frequency energy and, if not installed and used in accordance with the instructions, may cause harmful interference to radio communications. However, there is no guarantee that interference will not occur in a particular installation. If this equipment does cause harmful interference to radio or television reception, which can be determined by turning the equipment off and on, the user is encouraged to try to correct the interference by one or more of the following measures:

- Reorient or relocate the receiving antenna.
- Increase the separation between the equipment and receiver.
- Connect the equipment into an outlet on a circuit different from that to which the receiver is connected.
- Consult the dealer or an experienced radio/TV technician for help

This device complies with part 15 of the FCC Rules. Operation is subject to the following two conditions:

(1) This device may not cause harmful interference, and (2) this device must accept any interference received, including interference that may cause undesired operation. Changes or modifications not expressly approved by StarTech.com could void the user's authority to operate the equipment.

### **Industry Canada Statement**

This Class B digital apparatus complies with Canadian ICES-003. Cet appareil numérique de la classe [B] est conforme à la norme NMB-003 du Canada. CAN ICES-3 (B)/NMB-3(B)

This device complies with Industry Canada licence-exempt RSS standard(s). Operation is subject to the following two conditions: (1) This device may not cause interference, and (2) This device must accept any interference, including interference that may cause undesired operation of the device.

Le présent appareil est conforme aux CNR d'Industrie Canada applicables aux appareils radio exempts de licence. L'exploitation est autorisée aux deux conditions suivantes:

(1) l'appareil ne doit pas produire de brouillage, et (2) l'utilisateur de l'appareil doit accepter tout brouillage radioélectrique subi, même si le brouillage est susceptible d'en compromettre le fonctionnement.

### **Use of Trademarks, Registered Trademarks, and other Protected Names and Symbols**

This manual may make reference to trademarks, registered trademarks, and other protected names and/or symbols of third-party companies not related in any way to StarTech.com. Where they occur these references are for illustrative purposes only and do not represent an endorsement of a product or service by StarTech.com, or an endorsement of the product(s) to which this manual applies by the third-party company in question. StarTech.com hereby acknowledges that all trademarks, registered trademarks, service marks, and other protected names and/or symbols contained in this manual and related documents are the property of their respective holders.

PHILLIPS® is a registered trademark of Phillips Screw Company in the United States or other countries.

### **Warranty Information**

This product is backed by a three-year warranty.

For further information on product warranty terms and conditions, please refer to [www.startech.com/warranty](http://www.startech.com/warranty).

### **Limitation of Liability**

In no event shall the liability of StarTech.com Ltd. and StarTech.com USA LLP (or their officers, directors, employees or agents) for any damages (whether direct or indirect, special, punitive, incidental, consequential, or otherwise), loss of profits, loss of business, or any pecuniary loss, arising out of or related to the use of the product exceed the actual price paid for the product. Some states do not allow the exclusion or limitation of incidental or consequential damages. If such laws apply, the limitations or exclusions contained in this statement may not apply to you.

### **Safety Measures**

- If product has an exposed circuit board, do not touch the product under power.

### **Mesures de sécurité**

- Si l'un des circuits imprimés du produit est visible, ne pas touchez le produit lorsqu'il est sous tension.

### **安全対策**

- 製品に露出した状態の回路基盤が含まれる場合、電源が入っている状態で製品に触らないでください。

### **Misure di sicurezza**

- Se il prodotto ha un circuito stampato visibile, non toccare il prodotto quando è acceso.

### **Säkerhetsåtgärder**

- Rör aldrig vid enheter med oskyddade kretskort när strömmen är påslagen.

### **StarTech.com Ltd.**

45 Artisans Cres  
London, Ontario  
N5V 5E9  
Canada

### **StarTech.com LLP**

2500 Creekside  
Parkway  
Lockbourne, Ohio  
43137  
U.S.A.

### **StarTech.com Ltd.**

Unit B, Pinnacle 15  
Gowerton Rd,  
Brackmills  
Northampton  
NN4 7BW  
United Kingdom

FR: startech.com/fr  
DE: startech.com/de  
ES: startech.com/es  
NL: startech.com/nl  
IT: startech.com/it  
JP: startech.com/jp