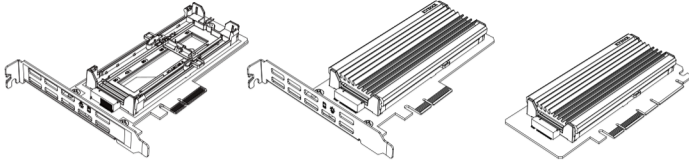


M.2 NVMe SSD to PCIe 3.0 x4 Adapter



EZConvert EX
(MB987M2P-B)

EZConvert EX Pro
(MB987M2P-1B)

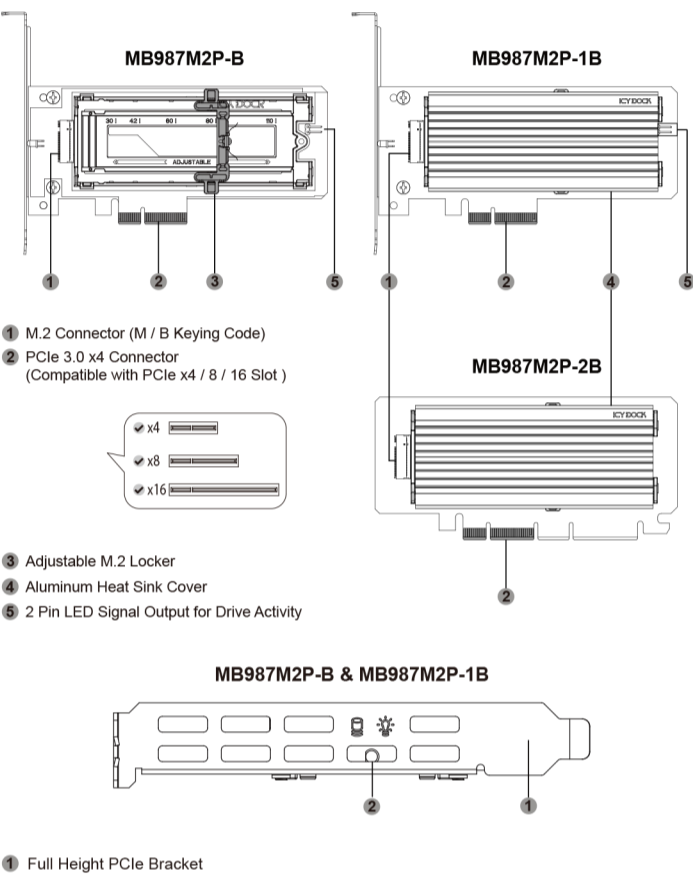
EZConvert EX Pro
(MB987M2P-2B)

	User manual	1 x #6-32*5 hexagon Phillips screw with washer for device	x 1 x 2 Thermal Pads
EZConvert EX MB987M2P-B	✓	✓	
EZConvert EX Pro MB987M2P-1B	✓	✓	✓
EZConvert EX Pro MB987M2P-2B	✓		✓

Copyright © ICY DOCK International. All Rights Reserved. 650279 VER 2.0

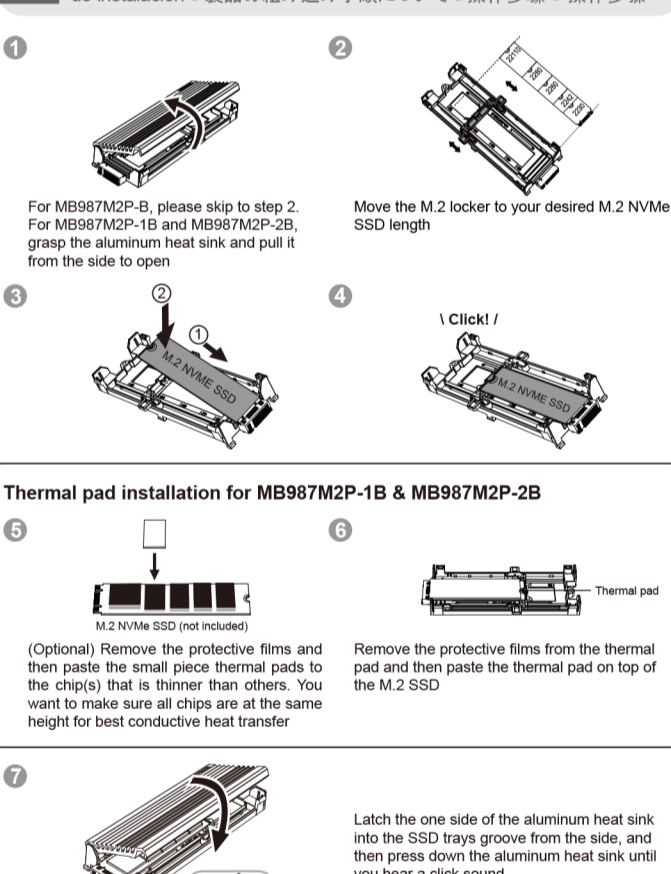
1

Device Information • Geräteinformationen • Informations dispositif • Información del dispositivo • 本体説明 • 機體説明 • 机体说明



2

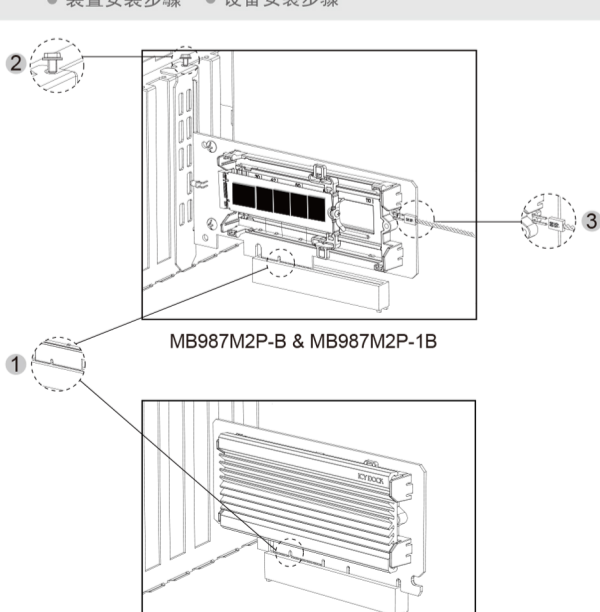
Installation Guide • Installationsanleitung • Guide d'Installation • Guía de instalación • 製品の組み込み手順について • 操作手順 • 操作步驟



3

Device Installation • Installation eines Gerätes • Installation du dispositif • Instalación del dispositivo de • デバイス取付手順

• 装置安裝步驟 • 设备安裝步驟



- 1 Fully connect the device's PCIe connector into the system's PCIe slot
- 2 Use the included #6-32*5 screw to secure the device
- 3 Connect the 2 pin header to the system's LED light signal cable for frontal drive activity light



For the warranty information, please visit www.icydock.com/warranty.php