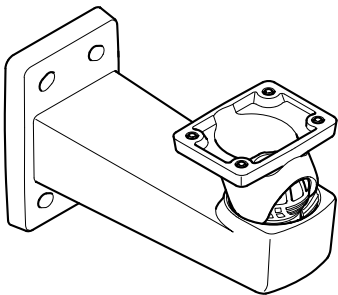
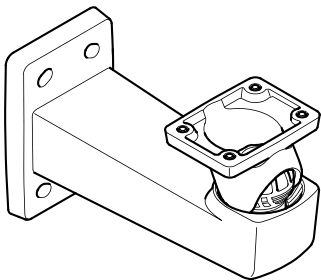


## AXIS TQ1003-E Wall Mount

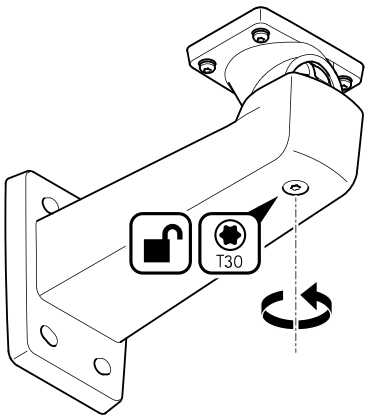


## Installation Guide

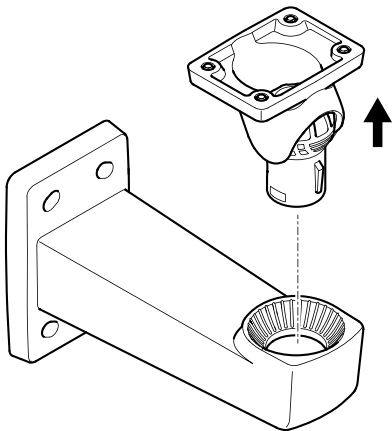


**1x**

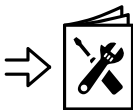
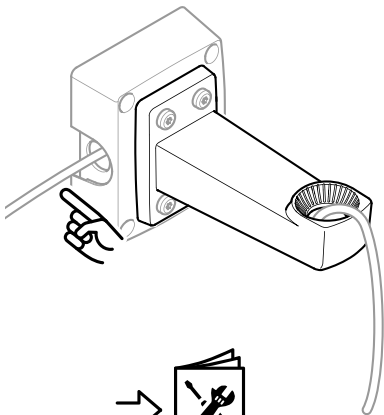
# 1.1



# 1.2

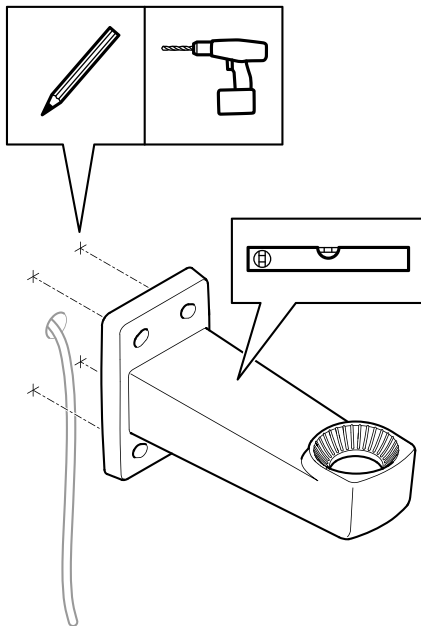


**i**



AXIS TQ1601-E  
Installation guide

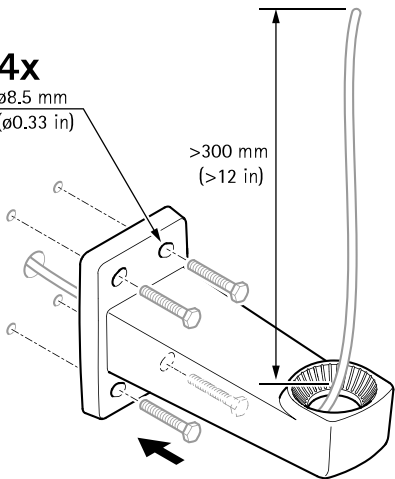
# 1.3



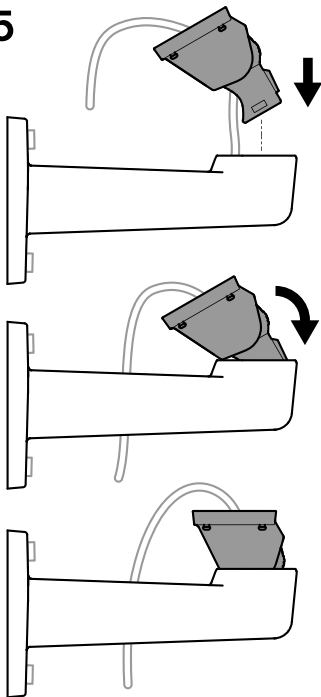
# 1.4

**4x**

$\varnothing 8.5 \text{ mm}$   
( $\varnothing 0.33 \text{ in}$ )

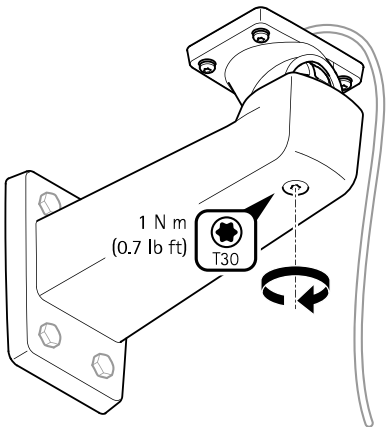


1.5

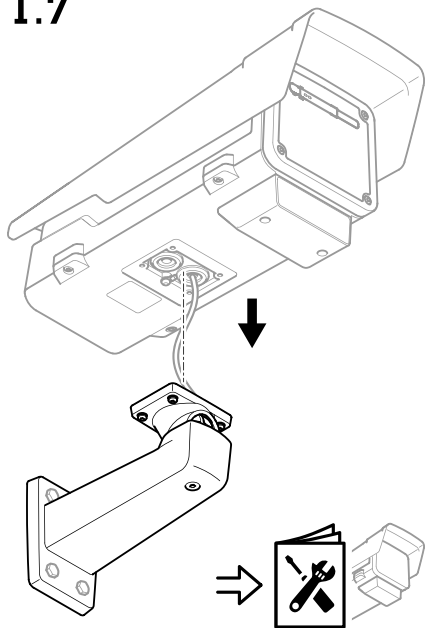




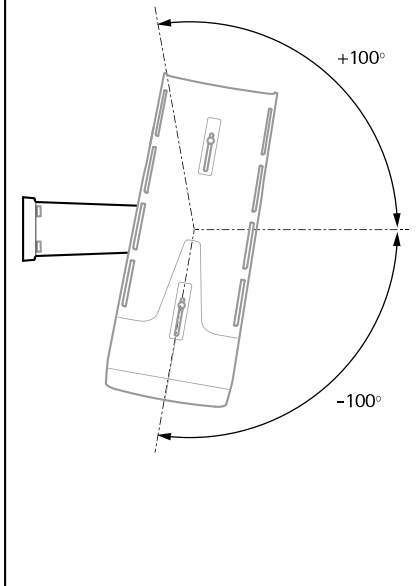
# 1.6

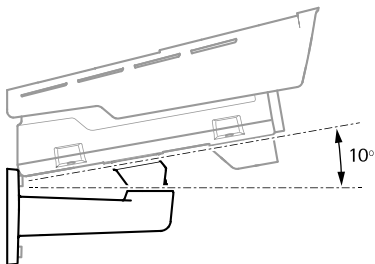
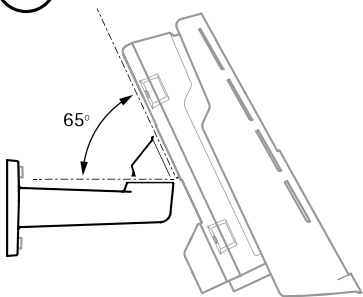


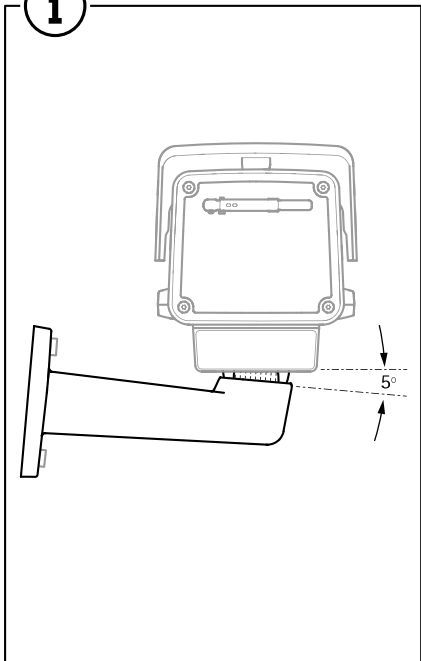
# 1.7



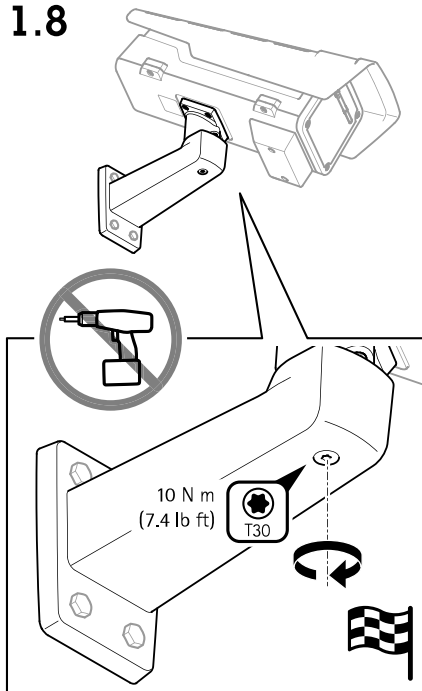
Installation guide







# 1.8





Installation Guide

AXIS TQ1003-E Wall Mount

© 2022 Axis Communications AB

Ver. M1.7

Date: November 2022

Part No. 2574479