

TM-U220

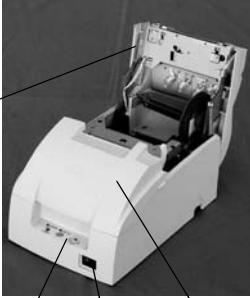
**User's Manual / Manuel d'utilisation
Manual do utilizador / Manual del usuario**



411178803

A

Type A



1

3

4

2

Type B



Type D



B



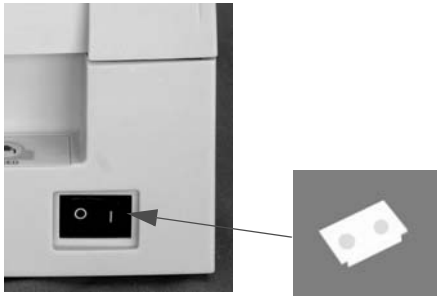
ERROR

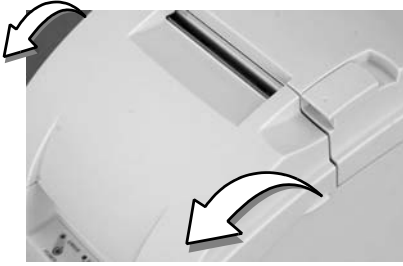
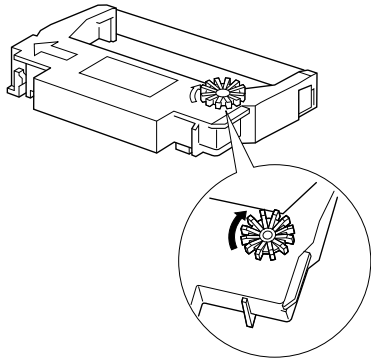
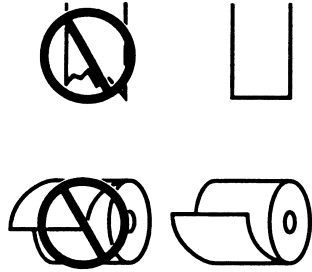
PAPER OUT

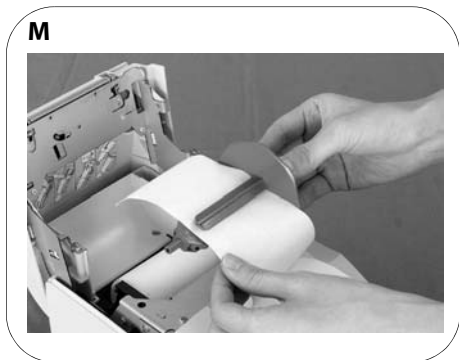
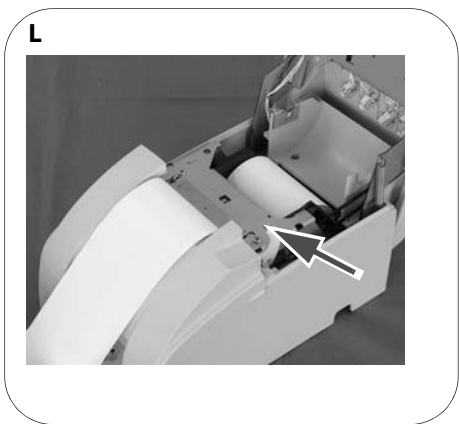
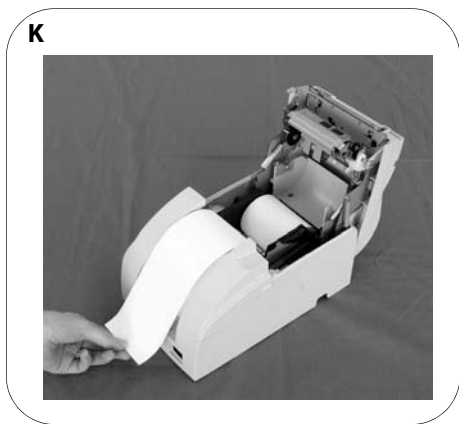
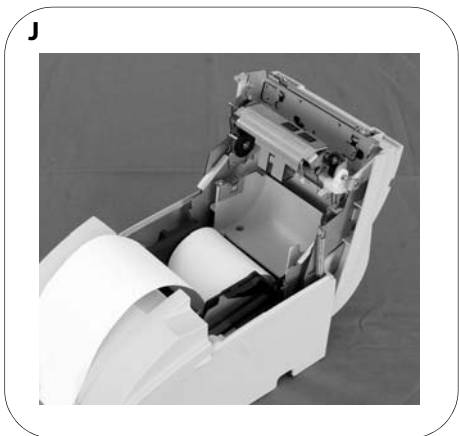
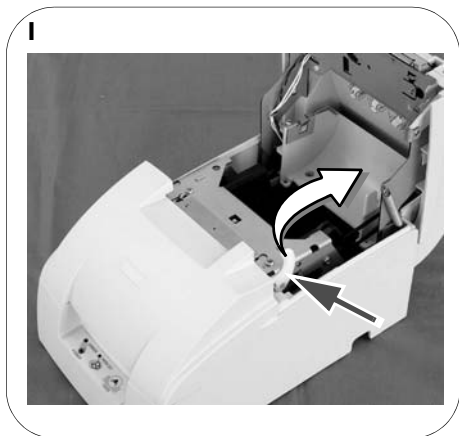
POWER

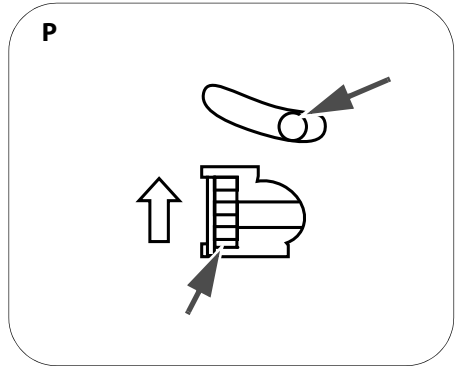
FEED

C



D**E****F****G****G-a****H**





Standards and Approvals

The following standards are applied only to the printers that are so labeled. (EMC is tested using the Epson power supplies.)

Europe:	CE marking
North America:	FCC Class A, ICES-003 Class A
Oceania:	Radiocommunications (Electromagnetic Compatibility) Standard, Class A

For Users in the Americas

Warning

The connection of a non-shielded interface cable to this device will invalidate the EMC standards of this device. You are cautioned that changes or modifications not expressly approved by Seiko Epson Corporation could void your authority to operate the equipment.

FCC Compliance Statement for Users in the USA

This equipment has been tested and found to comply with the limits for a Class A digital device, pursuant to Part 15 of the FCC Rules. These limits are designed to provide reasonable protection against harmful interference when the equipment is operated in a commercial environment.

This equipment generates, uses, and can radiate radio frequency energy and, if not installed and used in accordance with the instruction manual, may cause harmful interference to radio communications.

Operation of this equipment in a residential area is likely to cause harmful interference, in which case the user will be required to correct the interference at his own expense.

For Users in Canada

This Class A digital apparatus complies with Canadian ICES-003.

Pour les utilisateurs au Canada

Cet appareil numérique de classe A est conforme à la norme canadienne NMB-003.

For Users in Oceania

WARNING

This is a Class A product. In a domestic environment this product may cause radio interference in which case the user may be required to take adequate measures.

For Users in Europe

CE Marking

☞ www.epson.eu/conformity

WARNING

This is a Class A product. In a domestic environment this product may cause radio interference in which case the user may be required to take adequate measures.

AVERTISSEMENT

Cet appareil est un produit de classe A. Dans un environnement résidentiel, il risque de provoquer un brouillage radio, auquel cas l'utilisateur pourra être tenu de prendre des mesures adéquates.

ADVERTENCIA

Este es un producto de Clase A. En un ambiente residencial este producto podría causar radio interferencias, en cuyo caso el usuario podría verse en la necesidad de tomar las medidas apropiadas.

AVISO

Este é um produto de Classe A. Num ambiente doméstico, este produto poderá causar interferência de rádio. Nesse caso, o utilizador poderá ter de tomar medidas adequadas.

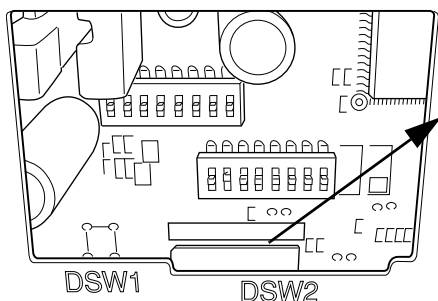
Indication of the manufacturer and the importer in accordance with requirements of directive 2011/65/EU (RoHS)

Manufacturer: SEIKO EPSON CORPORATION
 Address: 3-5, Owa 3-chome, Suwa-shi, Nagano-ken 392-8502, Japan
 Web site: www.epson.com/

Importer: EPSON EUROPE B.V.
 Address: Atlas Arena, Asia Building, Hoogoorddreef 5, 1101 BA Amsterdam Zuidooost The Netherlands
 Web site: www.epson.eu/

Türkiye'deki kullanıcılar için
 AEEE Yönetmeliğine Uygundur.

DIP Switch Tables



Look at the numbers and letters in the area indicated in the illustration. If the last letters are “US”, use the “US” tables below. If the last letters are “STD”, use the “STD” tables.

! CAUTION:

Be sure to replace the DIP switch cover before using the printer.

US

Serial (DIP Switch 1)

SW	Function	On	Off
1	Data receive error	Ignored	Prints “?”
2	Receive buffer capacity	40 bytes	4 KB
3	Handshaking	XON/XOFF	DTR/DSR
4	Word length	7 bits	8 bits
5	Parity check	Yes	No
6	Parity selection	Even	Odd
7	Transmission speed	4800 bps	9600 bps
8	BUSY condition	Receive buffer full	Receive buffer full or Offline

Serial (DIP Switch 2)

SW	Function	On	Off
1	Print column	42/35	40/33
2	For internal use only (autocutter)	Enabled	Disabled
3	Pin 6 reset signal	Used	Not used
4	Pin 25 reset signal	Used	Not used
5	Undefined	-	-
6	For internal use only (flash memory rewriting)	Enabled	Disabled
7	Undefined	-	-
8	Serial interface selection	Memory switch	DIP switch

Parallel (DIP Switch 1)

SW	Function	On	Off
1	Auto line feed	Enabled	Disabled
2	Receive buffer capacity	40 bytes	4 KB
3~7	Undefined	-	-
8	BUSY condition	Receive buffer full	Receive buffer full or Offline

Parallel (DIP Switch 2)

SW	Function	On	Off
1	Print column selection	42/35	40/33
2	For internal use only (autocutter)	Enabled	Disabled
3	Undefined	-	-
4	Pin 31 reset signal	Used	Not used
5	Undefined	-	-
6	For internal use only (flash memory rewriting)	Enabled	Disabled
7	Undefined	-	-
8	Undefined	-	-

STD

Serial (DIP Switch 1)

SW	Function	On	Off
1	Data receive error	Ignored	Prints "?"
2	Receive buffer capacity	40 bytes	4 KB
3	Handshaking	XON/XOFF	DTR/DSR
4	Word length	7 bits	8 bits
5	Parity check	Yes	No
6	Parity selection	Even	Odd
7	Transmission speed	4800 bps	9600 bps
8	BUSY condition	Receive buffer full	Receive buffer full or Offline

Serial (DIP Switch 2)

SW	Function	On	Off
1	Print column	42/35	40/33
2	For internal use only (autocutter)	Enabled	Disabled
3	Undefined	-	-
4	Serial interface selection	Memory switch	DIP switch
5	Undefined	-	-
6	For internal use only (flash memory rewriting)	Enabled	Disabled
7	Pin 6 reset signal	Used	Not used
8	Pin 25 reset signal	Used	Not used

Parallel (DIP Switch 1)

SW	Function	On	Off
1	Auto line feed	Enabled	Disabled
2	Receive buffer capacity	40 bytes	4 KB
3~7	Undefined	-	-
8	BUSY condition	Receive buffer full	Receive buffer full or Offline

Parallel (DIP Switch 2)

SW	Function	On	Off
1	Print column selection	42/35	40/33
2	For internal use only (autocutter)	Enabled	Disabled
3~5	Undefined	-	-
6	For internal use only (flash memory rewriting)	Enabled	Disabled
7	Undefined	-	-
8	Pin 31 reset signal	Used	Not used

Features of Printer Types

See illustration A.

	Type A	Type B	Type D
Autocutter	Yes	Yes	No
Take up device	Yes	No	No
Paper width (mm)	76	76/69.5/57.5	76/69.5/57.5

TM-U220 Specifications

Print method		9-pin serial impact dot matrix method
Print font	Font (standard)	Font A: 7 × 9, Font B: 9 × 9
	Column capacity (columns)	7 × 9/9 × 9: 76 mm: 40/33, 69.5 mm: 36/30, 57.5 mm: 30/25
	Character size (W × H) (standard)	1.2 × 3.1 mm/1.6 × 3.1 mm (excluding horizontal spacing)
	Character set	95 Alphanumeric, 48 International, 128 × 12 Graphic
	Characters per inch (standard) (3 half dot spacing)	Font A (7 × 9): 16 cpi, Font B (9 × 9): 13.3 cpi
Paper	Dimensions (mm)	57.5 ± 0.5, 69.5 ± 0.5, 76 ± 0.5
	Normal paper (mm)	Thickness: 0.06~0.085 (1 sheet)
	Pressure-sensitive paper	Thickness: 0.05~0.08 (1 sheet), total thickness must be 0.14 mm or less. Number of copies: Original 1 sheet + one copy sheet
Ribbon cassettes		ERC-38 (B) Black life: 3,000,000 characters ERC-38 (B/R) Black/Red life: Black 1,500,000/Red 750,000 characters Life based on continuous printing at 25°C {77°F}
Print speed (Paper width 76 mm)		4.7 lps (40 columns, 16 cpi)
Interface		RS-232 or IEEE 1284
Data buffer	Receive buffer	4 KB or 40 bytes
	NV bit image data	128 KB
	User NV memory	8 KB
Power supply*1		24 VDC ± 7%
Power consumption (Stand-by)		2.2 W
D.K.D. function		2 drives
Reliability (Life)	Mechanism	7,500,000 lines
	Print head	150 million characters
	Autocutter	800,000 cuts
Temperature	Operating	0~50°C {32~122°F}
	Storage	-10~50°C {14~122°F}, without paper and ribbon cassette
Humidity	Operating	10~90%, must be no condensation
	Storage	10~90%, must be no condensation, without paper and ribbon cassette
Overall dimensions (mm)		Type A: 160 × 286 × 157.5 {6.3 × 11.26 × 6.2"} (W × D × H) Type B: 160 × 248 × 138.5 {6.3 × 9.76 × 5.45"} (W × D × H) Type D: 160 × 248 × 138.5 {6.3 × 9.76 × 5.45"} (W × D × H)
Weight (mass) (approx.)		Type A: 5.94 kg {13.07 lb} Type B: 2.5 kg {5.5 lb} Type D: 2.3 kg {5.06 lb}

dpi: dots per 25.4 mm (dots per inch); lps: lines per second; lpi: lines per 25.4 mm (lines per inch)

*1: Be sure to use a safety-standards-applied power source that meets the following specifications.

Rated output: 24 V/2.0~10.0 A, Maximum output: 240 VA or less

TM-U220

User's Manual

DIP Switches and Specifications

The technical specifications and the information about the DIP switches are at the beginning of this manual.

Illustrations

All of the illustrations are at the beginning of this manual. They are identified by letters (A, B, C . . .). In the text the illustrations are referred to by these letters. ("See illustration A," for example.) Some of these illustrations have numbered arrows or lines pointing to parts of the illustration. See the list below for the meaning of the numbers. Because this manual covers three types of the TM-U220, some of the illustrations may be slightly different from your printer; however, the instructions cover all types, except as noted.

Illustration A

1. Roll paper cover
2. Ribbon cassette cover
3. Control panel
4. Power supply switch

All rights reserved. No part of this publication may be reproduced, stored in a retrieval system, or transmitted in any form or by any means, electronic, mechanical, photocopying, recording, or otherwise, without the prior written permission of Seiko Epson Corporation. No patent liability is assumed with respect to the use of the information contained herein. While every precaution has been taken in the preparation of this book, Seiko Epson Corporation assumes no responsibility for errors or omissions. Neither is any liability assumed for damages resulting from the use of the information contained herein.

Neither Seiko Epson Corporation nor its affiliates shall be liable to the purchaser of this product or third parties for damages, losses, costs, or expenses incurred by purchaser or third parties as a result of: accident, misuse, or abuse of this product or unauthorized modifications, repairs, or alterations to this product, or (excluding the U.S.) failure to strictly comply with Seiko Epson Corporation's operating and maintenance instructions.

Seiko Epson Corporation shall not be liable against any damages or problems arising from the use of any options or any consumable products other than those designated as Original Epson Products or Epson Approved Products by Seiko Epson Corporation.

EPSON is a registered trademark of Seiko Epson Corporation. Exceed Your Vision is a registered trademark or trademark of Seiko Epson Corporation. All other trademarks are the property of their respective owners and used for identification purpose only.

NOTICE: The contents of this manual are subject to change without notice.

©Seiko Epson Corporation 2003-2019. All rights reserved.

Important Safety Information

This section presents important information intended to ensure safe and effective use of this product. Read this section carefully and store it in an accessible location.

Key to Symbols

The symbols in this manual are identified by their level of importance, as defined below. Read the following carefully before handling the product.



WARNING:

Warnings must be followed carefully to avoid serious bodily injury.



CAUTION:

Cautions must be observed to avoid minor injury to yourself or damage to your equipment.

Safety Precautions



WARNING:

Shut down your equipment immediately if it produces smoke, a strange odor, or unusual noise. Continued use may lead to fire. Immediately unplug the equipment and contact qualified service personnel.

Never attempt to repair this product yourself. Improper repair work can be dangerous.

Never disassemble or modify this product. Tampering with this product may result in injury or fire.

Be sure to use the specified power source. Connection to an improper power source may cause fire.

Do not allow foreign matter to fall into the equipment. Penetration by foreign objects may lead to fire.

If water or other liquid spills into this equipment, do not continue to use it. Continued use may lead to fire. Unplug the power cord immediately and contact qualified service personnel.

If you open the DIP switch cover, be sure to close the cover and tighten the screw after adjusting the DIP switch. Using this product with the cover open may cause fire or electric shock.

Do not use aerosol sprayers containing flammable gas inside or around this product. Doing so may cause fire.



CAUTION:

Do not connect cables in ways other than those mentioned in this manual. Different connections may cause equipment damage and burning.

Be sure to set this equipment on a firm, stable, horizontal surface. Product may break or cause injury if it falls.

Do not use in locations subject to high humidity or dust levels. Excessive humidity and dust may cause equipment damage or fire.

Do not place heavy objects on top of this product. Never stand or lean on this product. Equipment may fall or collapse, causing breakage and possible injury.

Take care not to injure your fingers on the manual cutter

- *When you remove printed paper*
- *When you perform other operations such as loading/replacing roll paper*

To ensure safety, unplug this product before leaving it unused for an extended period.

Before moving the product, unplug it and unplug all cables connected to it.

Safety Labels

The caution labels on the product indicate the following precautions.



WARNING:

Do not connect a telephone line to the drawer kick out connector; otherwise, the printer and the telephone line may be damaged.



CAUTION:

During printing or after printing, the print head can be very hot.

Notes on Usage

- Do not open the cover during printing or when the autocutter is being operated.
- Do not install the printer in a dusty place.
- Protect the printer from impact.
- Cords or other foreign objects must not be caught on the printer.
- Do not apply excessive force to the printer case.
- Do not place food or beverages such as coffee on the case of the printer.

Notes on Installation

- When using the printer, be sure that the printer is installed horizontally.
- If you are using a Type B or D printer, you can hang it on a wall, using the optional hanging bracket set, WH-10.

Note:

To hang the printer on a wall, see the WH-10 Installation Manual for detailed instructions.

Notes on Connecting the Power Supply Unit

Be sure to use the correct power supply unit as listed below:

TM-U220 alphanumeric model (types A, B, and D)	TM-U220 multilingual* model (types A, B, and D)
"AC adapter, C", "AC adapter, C1" or "PS-180"	"PS-180" or "AC adapter, C1"

*Multilingual means the printer model that can print any one of the following: Japanese Kanji, Simplified Chinese, Traditional Chinese, Thai characters, or Korean characters.

Purpose of This Manual

This manual provides information to operators of the TM-U220 to describe basic operations to enable safe and correct use of the printer.

Restriction of Use

When this product is used for applications requiring high reliability/safety, such as transportation devices related to aviation, rail, marine, automotive, etc.; disaster prevention devices; various safety devices, etc.; or functional/precision devices, etc.; you should use this product only after giving consideration to including fail-safes and redundancies into your design to maintain safety and total system reliability. Because this product was not intended for use in applications requiring extremely high reliability/safety, such as aerospace equipment, main communication equipment, nuclear power control equipment, or medical equipment related to direct medical care, etc., please make your own judgment on this product's suitability after a full evaluation.

Unpacking

The following items are included for the standard specification printer. If any item is damaged, contact your dealer.

- Printer
- Roll paper
- Exclusive ribbon cassette [ERC-38(B/R)]
- AC adapter (May not be included with the printer.)

Downloading Drivers, Utilities, and Manuals

Drivers, utilities, and manuals can be downloaded from one of the following URLs.

For customers in North America, go to the following web site:
www.epson.com/support/

For customers in other countries, go to the following web site:
www.epson-biz.com/

Control Panel (LEDs and Buttons)

See illustration **B**.

LEDs

POWER

Lights when the power is on and is off when the power is off.

ERROR

Lights when the printer is offline (when the roll paper is at the end, or the roll paper cover is open). Off when the printer operates correctly. Flashes when an error occurs. (See the Troubleshooting section.)

PAPER OUT

Lights when roll paper is out or nearly out.

Button

FEED

FEED feeds the roll paper.

Note:

Paper cannot be fed by using this button when a paper out is detected.

Power Supply Switch and Power Supply Switch Cover

The power supply switch is on the front of the printer. Press the power supply switch to turn on the printer.

Power Supply Switch Cover

You can use the enclosed power supply switch cover to make sure that the power supply switch is not accidentally pressed. Just press the cover into place to install it. If you need to turn the power supply switch on or off with the cover attached, you can insert a thin tool into one of the holes in the cover to operate the switch. See illustration **C**.



WARNING:

If an accident occurs when the power supply switch cover is attached, immediately unplug the power supply cable to avoid fire.

If you are going to store the printer or leave it unused for a long time, turn it off using the power supply switch on the printer.

Inserting and Replacing the Ribbon Cassette



CAUTION:

The print head becomes very hot during printing. Allow it to cool before you replace the ribbon cassette.



CAUTION:

Never turn the ribbon cassette's feed knob in the opposite direction of the arrow marked on the cassette; otherwise the ribbon cassette may be damaged.

Note:

Use the EPSON ERC-38 ribbon cassette for your printer.

1. Open the ribbon cassette cover by using the tabs on the sides of the cover, as shown in illustration **D**.
2. Turn the knob two or three times in the direction of the arrow, as shown in illustration **E**.
3. Insert the ribbon in the position shown in illustration **F** and push the ribbon cassette down until it clicks.

Note:

Make sure the ribbon is installed between the print head and the platen without wrinkles or creases.

4. Again turn the ribbon cassette's knob 2 or 3 times in the direction of the arrow and close the ribbon cassette cover.



CAUTION:

Be careful not to touch the print head with your fingers when turning the ribbon cassette knob because the print head is hot and you might be burned.

When you replace the ribbon cassette, lift the left side of the ribbon cassette first; then lift the whole ribbon cassette.

Inserting Roll Paper



CAUTION:

Be sure to use roll paper that meets the specifications.

Be sure not to touch the manual cutter. Otherwise your fingers might be injured.

1. Using scissors, cut the leading edge of the roll paper, as shown in illustration **G**.
2. Turn on the printer and open the roll paper cover by using the tab, as shown in illustration **H**.
3. **Type A only:** Open the unit by using the unit open lever, as shown in illustration **I**.
4. Insert the roll paper, as shown in illustration **J**.

Note:

*Note the direction the paper comes off the roll, as shown in the illustration **G**.*

*When using 2-ply roll paper, be sure that the top and bottom sheets are aligned at the paper exit. See illustration **G-a**.*

5. **If you are not using a take-up spool**, pull out a small amount of roll paper and close the roll paper cover; then tear off the paper with the manual cutter. You can skip steps 6 through 11.
6. **Type A only:** When using 2-ply roll paper, pull out the roll paper to the bottom front of the printer as a guide, as shown in illustration **K**.
7. Close the unit, as shown in illustration **L**.
8. Insert the end of the bottom paper (journal paper) into the paper take-up spool, as shown in illustration **M**.
9. Insert the paper take-up spool in the printer. Be sure that the paper is aligned with the spool's flange, as shown in illustration **N**.
10. Feed the paper with the FEED button so that the paper is taken up by the spool.
11. Close the roll paper cover and tear off the roll paper with the manual cutter, as shown in illustration **O**.

Note:

Do not open the roll paper cover during printing or paper feeding.

When using the printer, be sure to cut the roll paper with the manual cutter after paper feeding is complete.

Replacing Roll Paper

1. Open the roll paper cover by using the tab, as shown in illustration **H**.
2. **Types B and D:** Remove the used roll paper core.
3. **Type A only:** Remove the take-up spool, and open the unit by using the unit open lever, as shown in illustration **I**; then remove the used roll paper core.
4. Insert new roll paper. See the section "Inserting Roll Paper".

Troubleshooting

Printing stops before all the lines are printed or the printer prints the same line repeatedly

If the correct power supply unit is not used, the printer cannot operate correctly. Make sure the correct power supply unit is connected to the printer, referring to the table below:

The power supply unit that can be used with the TM-U220 alphanumeric model (types A, B, and D)	The power supply unit that can be used with the TM-U220 multilingual* model (types A, B, and D)
"AC adapter, C", "AC adapter, C1" or "PS-180"	"PS-180" or "AC adapter, C1"

*Multilingual means the printer model that can print any one of the following: Japanese Kanji, Simplified Chinese, Traditional Chinese, Thai characters, or Korean characters.

No lights on the control panel

- Check the power supply cable connections and the power outlet.

ERROR LED is flashing or lit

- The print head temperature may be too high or low. Wait until the print head cools or warms and the printer resumes printing automatically.
- Make sure that the roll paper cover is properly closed.
- Types A and B: The autocutter blade is not in the normal position and the autocutter is locked up. If it is a simple lock-up, the error is corrected automatically. If not, see the instructions below to return the blade to the normal position manually.
- A paper jam has occurred. To remove the jammed paper, see the instructions below.
- Turn off the power, wait several seconds, and then turn it on again. If the error remains, contact your supervisor or a qualified service person.

Returning the autocutter blade to the normal position

1. Open the roll paper cover by using the tab, as shown in illustration **H**.
2. Use a ballpoint pen or tweezers to turn the knob of the autocutter in the direction indicated by the arrow until you see a round shaft in the hole, as shown in illustration **P**.

Removing jammed paper



CAUTION:

The print head becomes very hot during printing. Allow it to cool before you reach into the printer.

1. Open the roll paper cover by using the tab, as shown in illustration **H**.
2. If you have a **Type A** printer, remove the take-up spool and open the unit by using the unit open lever, as shown in illustration **I**.
3. Remove the jammed paper.
4. Re-insert the roll paper and close the roll paper cover.

TM-U220

Manuel d'utilisation

Commutateurs DIP et caractéristiques techniques

Les caractéristiques techniques et les informations concernant les commutateurs DIP se trouvent au début du manuel.

Figures

Toutes les figures sont présentées au début du manuel. Elles sont identifiées par des lettres (A, B, C...). Ces lettres sont utilisées dans le texte pour renvoyer aux figures. (Ex. : « Voir figure **A** ».) Certaines figures comportent des flèches ou lignes numérotées pointées vers des éléments particuliers. La liste suivante indique la signification des numéros.

Étant donné que ce manuel couvre trois modèles de l'imprimante TM-U220, il se peut que certaines des figures diffèrent légèrement de votre imprimante ; toutefois, sauf indication contraire, les instructions sont valables pour tous les modèles.

Figure A

1. Capot du rouleau de papier
2. Couverture du compartiment du ruban encreur
3. Panneau de commande
4. Interrupteur marche-arrêt

Tous droits réservés. Sauf autorisation écrite préalable de Seiko Epson Corporation, la reproduction, la conservation dans un système de stockage de données et la transmission sous quelque forme ou par quelque moyen que ce soit (électronique, mécanique, par photocopie, enregistrement, etc...) d'une partie quelconque de la présente publication sont interdits. La société décline toute responsabilité relative à l'exploitation des informations contenues dans le présent document. Cet ouvrage a été rédigé avec le plus grand soin ; toutefois, Seiko Epson décline toute responsabilité pour les erreurs et omissions qu'il pourrait contenir, ainsi que pour tous dommages résultant de l'exploitation des informations qu'il contient.

La responsabilité de Seiko Epson Corporation ou de ses filiales ne saurait être engagée envers l'acheteur de ce produit ou envers des tiers pour dommages, pertes, frais ou débours encourus par ceux-ci par suite d'accident ou d'utilisation erronée ou abusive de ce produit, de modification, réparation ou transformation non autorisée de celui-ci, ou (à l'exclusion des États-Unis), de toute utilisation du produit qui n'est pas strictement conforme aux instructions d'utilisation et de maintenance de Seiko Epson Corporation.

Seiko Epson Corporation décline toute responsabilité pour dommages ou problèmes découlant de l'utilisation de tous articles en option ou de toutes fournitures consommables autres que celles désignée produit d'origine Epson ou produit approuvé Epson par Seiko Epson Corporation.

EPSON est une marque déposée de Seiko Epson Corporation. Exceed Your Vision est une marque commerciale ou déposée de Seiko Epson Corporation. Toutes les autres marques appartiennent à leurs propriétaires respectifs et sont utilisées uniquement à des fins d'identification.

REMARQUE : Le contenu de ce manuel est sujet à modification sans de préavis.

©Seiko Epson Corporation 2003-2019. Tous droits réservés.

AVERTISSEMENT

Cet appareil est un produit de classe A. Dans un environnement résidentiel, il risque de provoquer un brouillage radio, auquel cas l'utilisateur pourra être tenu de prendre des mesures adéquates.

Importantes précautions de sécurité

D'importantes informations destinées à assurer un emploi sans danger et efficace de ce produit sont présentées dans cette section. Lisez-la attentivement et rangez-la dans un endroit facile d'accès.

Signification des symboles

Dans ce manuel, les symboles sont identifiés par ordre d'importance de la manière indiquée ci-après. Lisez attentivement ce qui suit avant de manipuler le produit.



AVERTISSEMENT :

Respectez strictement les avertissements afin d'éviter tout risque de blessure grave.



ATTENTION :

Ces mises en garde doivent être respectées afin d'éviter les risques de blessure légère ou de dégâts matériels.

Précautions de sécurité



AVERTISSEMENT :

Mettez immédiatement le matériel à l'arrêt si de la fumée ou une odeur anormale s'en dégage ou s'il fait un bruit inusité. Il existe un risque d'incendie si vous continuez à utiliser l'appareil. Débranchez immédiatement l'équipement et appelez un technicien de service qualifié.

N'essayez jamais de réparer vous-même ce produit. Il peut exister des dangers en cas de réparation incorrecte.

Ne procédez jamais au démontage ou à la modification de ce produit, dont l'altération risque de poser des risques de blessure ou d'incendie.

Veillez à utiliser la source d'alimentation spécifiée. Le branchement à une alimentation incorrecte pose des risques d'incendie.

Veillez à ne pas laisser quelque objet que ce soit tomber dans l'appareil, car cela peut entraîner des risques d'incendie.

Si de l'eau ou un autre liquide pénètre dans l'appareil, cessez immédiatement d'utiliser ce dernier. Il existe un risque d'incendie si vous continuez à utiliser l'appareil. Débranchez immédiatement le cordon électrique et appelez un technicien de service qualifié.

Si le cache du micro-interrupteur DIP est ouvert, assurez-vous de le fermer et de bien serrer la vis après avoir réglé le micro-interrupteur. L'utilisation de ce produit avec le cache ouvert peut provoquer un incendie ou un choc électrique.

N'utilisez pas de bombes aérosol contenant des gaz inflammables à l'intérieur ou à proximité de ce produit. Cela pourrait causer un incendie.



ATTENTION :

Ne branchez jamais les câbles d'une manière autre que celle indiquée dans ce manuel. Un branchement incorrect risque d'endommager le matériel et pose des risques d'incendie.

Veillez à installer cet appareil sur une surface horizontale ferme et stable. Il existe des risques de dégâts matériels ou de blessure en cas de chute du produit.

Évitez les endroits sujets à une humidité ou à une poussière élevée, car il existe sinon des risques de dégâts matériels ou d'incendie.

Veillez à ne poser aucun objet lourd sur l'appareil. Ne montez et ne vous appuyez jamais sur l'appareil. Il risquerait sinon de se briser ou de provoquer des blessures en tombant ou en s'effondrant.

Prenez garde de ne pas vous couper les doigts au couteau manuel

- En retirant le papier imprimé
- Lors d'autres opérations comme le chargement/remplacement du rouleau de papier

Par mesure de sécurité, débranchez l'appareil si vous ne comptez pas l'utiliser pendant un certain temps.

Avant de déplacer l'appareil, débranchez son cordon électrique et déconnectez tous les câbles qui lui sont reliés.

Étiquette de sécurité

Les étiquettes de mise en garde sur le produit indiquent les précautions suivantes.



AVERTISSEMENT :

Ne raccordez pas de ligne téléphonique au connecteur du tiroir à ressort car cela risquerait d'endommager l'imprimante et la ligne téléphonique.



ATTENTION :

Pendant ou après l'impression, la tête d'impression peut être brûlante.

Notes relatives à l'emploi

- Ne pas ouvrir le capot pendant l'impression ou lorsque le coupe-papier automatique est en service.
- Ne pas installer l'imprimante dans un endroit poussiéreux.
- Protéger l'imprimante contre les chocs.
- Veiller à ce que des cordons ou autres objets étrangers ne s'accrochent pas sur l'imprimante.
- Ne pas appliquer de pression excessive au coffret de l'imprimante.
- Ne pas placer d'aliments ou de boissons telles que du café sur le coffret de l'imprimante.

Notes relatives à l'installation

- Vérifiez que l'imprimante soit installée de manière bien horizontale durant son utilisation.
- En cas d'emploi d'une imprimante de type B ou D, il est possible de l'accrocher au mur en utilisant le support en option WH-10.

Remarque :

Pour accrocher l'imprimante au mur, suivre les instructions détaillées fournies dans le manuel d'installation WH-10.

Remarques sur le raccordement de l'unité d'alimentation

Assurez-vous que vous utilisez bien l'unité d'alimentation qui convient, comme indiqué ci-dessous:

Modèle alphanumérique TM-U220 (types A, B et D)	Modèle multilingue* TM-U220 (types A, B et D)
«AC adapter, C», «AC adapter, C1» ou «PS-180»	«PS-180» ou «AC adapter, C1»

*Multilingue signifie que le modèle d'imprimante est capable d'imprimer les types d'écriture suivants : kanjis japonais, caractères chinois simplifiés, caractères chinois traditionnels, caractères thaï, ou caractères coréens.

Objectif de ce manuel

Ce manuel est destiné à fournir une description des opérations de base de l'imprimante TM-U220 aux utilisateurs afin de leur permettre de s'en servir sans danger et de manière correcte.

Restrictions d'emploi

En cas d'utilisation de ce produit pour des applications exigeant une grande fiabilité/sécurité, telles qu'appareils employés en transport aérien, ferroviaire, maritime, automobile, etc., appareils de prévention des catastrophes, divers appareils de sécurité, etc., ou appareils de fonction/précision, vous devez, avant d'utiliser ce produit, considérer l'incorporation à votre système de dispositifs de sécurité positive et de moyens redondants assurant la sécurité et la fiabilité de l'ensemble du système. Étant donné que ce produit n'est pas destiné aux applications exigeant une fiabilité/sécurité extrême, telles que matériel aérospatial, matériel de communications principal, matériel de commande nucléaire ou matériel de soins médicaux directs, etc., vous devez, après totale évaluation, décider si ce produit convient.

Téléchargement des pilotes, utilitaires et manuels

Il est possible de télécharger les pilotes, utilitaires et manuels à partir de l'une des URL suivantes.

En Amérique du Nord, accédez au site web suivant :
www.epson.com/support/

Dans les autres pays, accédez au site web suivant :
www.epson-biz.com/

Déballage

L'ensemble standard de l'imprimante comprend les éléments suivants. Si quelque élément que ce soit est endommagé, contactez le revendeur.

- Imprimante
- Rouleau de papier
- Ruban-cassette exclusif [ERC-38(B/R)]
- Adaptateur secteur (peut ne pas être fourni avec votre imprimante).

Panneau de commande (témoins lumineux et boutons)

Voir figure **B**.

Témoins lumineux

MARCHE

Allumé quand l'imprimante est en marche et éteint quand elle est à l'arrêt.

ERREUR

Allumé quand l'imprimante est hors ligne (quand le rouleau de papier est terminé ou que le couvercle de son compartiment est ouvert). Éteint lorsque l'imprimante fonctionne normalement. Clignote en cas d'erreur. (Voir la section Dépannage.)

FIN DE PAPIER

Ce témoin s'allume quand il n'y a plus ou presque plus de papier.

Boutons

AVANCE PAPIER

Permet de faire avancer le papier en rouleau.

Remarque :

Ce bouton est inopérant lorsque l'imprimante a détecté la fin du rouleau de papier.

Interrupteur et capuchon d'interrupteur

L'interrupteur se trouve à l'avant de l'imprimante. Appuyez sur l'interrupteur pour allumer l'imprimante.

Capuchon d'interrupteur

Vous pouvez vous servir du cache d'interrupteur pour éviter toute pression accidentelle sur ce dernier. Appuyez simplement sur le cache pour qu'il s'enclenche en position. Si vous devez mettre l'interrupteur en position de marche ou d'arrêt alors que le cache est en place, il est possible de le faire en insérant un outil fin dans l'orifice approprié du cache. Voir figure **C**.

 **AVERTISSEMENT :**

En cas d'accident alors que le cache d'interrupteur est en place, débranchez immédiatement le câble électrique afin d'éviter tout risque d'incendie.

Si vous avez l'intention de stocker l'imprimante ou de ne pas l'utiliser pendant une période prolongée, éteignez-la au moyen de l'interrupteur de l'imprimante.

Insertion et remplacement du ruban-cassette

  **ATTENTION :**

La tête d'impression devient brûlante durant l'impression. Laissez-la toujours se refroidir avant de remplacer le ruban-cassette.

 **ATTENTION :**

Ne tournez jamais le bouton d'avance du ruban dans le sens opposé à la flèche marquée sur la cassette car cela risquerait d'endommager le ruban-cassette.

Remarque :

Utilisez le ruban-cassette EPSON ERC-38 pour votre imprimante.

1. Ouvrez le compartiment du ruban-cassette à l'aide des pattes situées sur les côtés du couvercle (voir figure **D**).
2. Tournez le bouton 2 ou 3 fois dans le sens de la flèche (voir figure **E**).
3. Insérez le ruban de la manière indiquée à la figure **F** et appuyez sur le ruban-cassette jusqu'à ce qu'il s'enclenche.

Remarque :

Vérifiez que le ruban est bien passé entre la tête d'impression et la platine sans plis ni froissements.

4. Tournez à nouveau le bouton du ruban-cassette à 2 ou 3 reprises dans le sens de la flèche, puis fermez le couvercle.

  **ATTENTION :**

Attention à ne pas toucher la tête d'impression avec les doigts en tournant le bouton du ruban-cassette car la tête d'impression est très chaude et risquerait de vous brûler.

Pour remplacer le ruban-cassette, soulevez d'abord le côté gauche, puis l'ensemble de la cassette.

Insertion du rouleau de papier

ATTENTION :

Veillez à utiliser un rouleau de papier du type spécifié.

Faites attention à ne pas toucher le coupe-papier manuel, car vous risquez sinon de vous blesser les doigts.

1. Coupez le bord d'attaque du papier à l'aide de ciseaux (voir figure **G**).
2. Allumez l'imprimante et ouvrez le compartiment du rouleau de papier à l'aide de la languette (voir figure **H**).
3. **Type A seulement :** Ouvrez l'unité au moyen de la manette d'ouverture (voir figure **I**).
4. Insérez le rouleau de papier (voir figure **J**).

Remarque :

Notez le sens de déroulement du rouleau indiqué à la figure **G**.

En cas d'emploi de rouleau de papier double, vérifiez que les feuilles du haut et du bas sont alignées au niveau de la sortie papier. Voir figure **G-a**.

5. **Si vous n'utilisez pas de bobine de réception**, tirez le papier de quelques centimètres, refermez le capot, puis déchirez le papier avec le coupe-papier manuel. Vous pouvez sauter les étapes 6 à 11.
6. **Type A seulement :** En cas d'emploi d'un rouleau de papier double épaisseur, tirez le papier jusqu'au bas de l'avant de l'imprimante pour vous guider (voir figure **K**).
7. Refermez l'appareil (voir figure **L**).
8. Insérez l'extrémité du papier du bas (bande-journal) dans la bobine de réception (voir figure **M**).
9. Insérez la bobine de réception du papier dans l'imprimante. Vérifiez que le papier est aligné sur le rebord de la bobine (voir figure **N**).
10. Faites avancer le papier au moyen du bouton FEED de manière à ce qu'il s'enroule sur la bobine.
11. Fermez le compartiment du rouleau de papier et déchirez le papier avec le coupe-papier manuel (voir figure **O**).

Remarque :

N'ouvrez jamais le compartiment du rouleau de papier pendant l'impression ou pendant l'avance du papier.

Lors de l'utilisation de l'imprimante, veillez à couper le papier avec le coupe-papier manuel une fois que le papier a fini d'avancer.

Remplacement du rouleau de papier

1. Ouvrez le compartiment du rouleau de papier à l'aide de la languette (voir figure H).
2. **Types B et D** : Enlevez le noyau du rouleau terminé.
3. **Type A seulement** : Enlevez la bobine de réception et ouvrez l'appareil au moyen de la manette d'ouverture (voir figure I) ; enlevez ensuite le noyau du rouleau de papier épuisé.
4. Insérez le rouleau neuf. Voir la section « Insertion du rouleau de papier ».

Dépannage

L'impression est interrompue avant que toutes les lignes soient imprimées ou l'imprimante imprime la même ligne de manière répétée

Si vous n'utilisez pas l'unité d'alimentation qui convient, l'imprimante ne peut pas fonctionner correctement. Assurez-vous que c'est bien l'unité d'alimentation qui convient qui est raccordée à l'imprimante en vous référant au tableau ci-dessous:

Unité d'alimentation pouvant être utilisée avec le modèle alphanumérique TM-U220 (types A, B et D)	Unité d'alimentation pouvant être utilisée avec le modèle multilingue* TM-U220 (types A, B et D)
«AC adapter, C», «AC adapter, C1» ou «PS-180»	«PS-180» ou «AC adapter, C1»

*Multilingue signifie que le modèle d'imprimante est capable d'imprimer les types d'écriture suivants : kanjis japonais, caractères chinois simplifiés, caractères chinois traditionnels, caractères thaï, ou caractères coréens.

Rien ne s'allume sur le panneau de commande

- Vérifiez les branchements du câble d'alimentation et la prise secteur.

Le voyant d'erreur (ERROR) reste allumé ou clignote

- La température de la tête d'impression peut être excessive ou insuffisante. Attendez qu'elle se refroidisse ou se réchauffe et l'impression reprendra automatiquement.
- Vérifiez que le compartiment du rouleau de papier soit bien fermé.
- Types A et B : La lame du coupe-papier automatique n'est pas à sa position normale et le coupe-papier est verrouillé. S'il s'agit d'un simple verrouillage, l'erreur est automatiquement corrigée. Sinon, suivre les instructions ci-après pour remettre manuellement la lame en position normale.
- Un bourrage de papier s'est produit. Procéder comme suit pour le dégager.
- Éteignez l'imprimante, attendez quelques secondes, puis rallumez-la. Si l'erreur persiste, contactez votre chef ou un technicien-réparateur qualifié.

Remise de la lame du coupe-papier automatique à la position normale.

1. Ouvrez le compartiment du rouleau de papier à l'aide de la languette (voir figure **H**).
2. À l'aide d'un stylo ou de pincettes, tournez le bouton du coupe-papier automatique dans le sens de la flèche jusqu'à ce qu'une tige ronde apparaisse dans l'orifice (voir figure **P**).

Dégagement d'un bourrage de papier



ATTENTION :

La tête d'impression devient brûlante durant l'impression. Laissez-la toujours se refroidir avant toute intervention à l'intérieur de l'imprimante.

1. Ouvrez le compartiment du rouleau de papier à l'aide de la languette (voir figure **H**).
2. Si vous utilisez une imprimante de **Type A**, enlevez la bobine de réception et ouvrez l'appareil au moyen de la manette d'ouverture (voir figure **I**).
3. Enlevez le papier bourré.
4. Réinstallez le rouleau de papier et fermez son compartiment.

TM-U220

Manual del usuario

Interruptores DIP y Especificaciones

Las especificaciones técnicas y la información sobre los interruptores DIP se incluyen en las primeras páginas de este manual.

Ilustraciones

Todas las ilustraciones se incluyen en la versión inglesa de este manual. Se han identificado por letras (A, B, C,...). En el texto se hace referencia a las ilustraciones mediante estas letras (por ejemplo: "Vea la ilustración A"). Algunas de estas ilustraciones tienen flechas o líneas numeradas apuntando hacia las partes de la ilustración. El significado de los números se indica en la lista siguiente.

Debido a que este manual cubre tres tipos de impresoras TM-U220, algunas de las ilustraciones podrían diferir un poco de su impresora, sin embargo, las instrucciones cubren todos los tipos, excepto cuando se indique otra cosa.

Illustration A

1. Tapa del rollo de papel
2. Tapa del cartucho de tinta
3. Panel de control
4. Interruptor de la fuente de alimentación

Se reservan todos los derechos. Ninguna parte de esta publicación podrá reproducirse, guardarse en un sistema de recuperación de datos o transmitirse en forma o modo alguno, sea electrónico, mecánico, fotocopiado, grabado o de otra forma, sin el permiso previo y por escrito de Seiko Epson Corporation. No se asume responsabilidad de patente con respecto al uso de la información contenida aquí. Si bien se han tomado todas las precauciones en la preparación de este manual, Seiko Epson Corporation no asume ninguna responsabilidad por errores u omisiones. Tampoco asume responsabilidad alguna que surja por el uso de la información contenida aquí.

Ni Seiko Epson Corporation ni sus compañías afiliadas serán responsables ante el comprador de este producto o ante terceros por daños, pérdidas, costos, o gastos incurridos por el comprador o por terceros como resultado de: accidente, uso indebido, o abuso de este producto o de modificaciones, reparaciones o alteraciones no autorizadas de este producto, o (excluyendo a los EE.UU.) por no cumplir estrictamente con las instrucciones de operación y mantenimiento de Seiko Epson Corporation. Seiko Epson Corporation no será responsable de cualquier daño o problema que surja por el uso de cualquier opción que no esté designada como Producto Epson Original u Homologado por Seiko Epson Corporation.

EPSON es una marca comercial registrada de Seiko Epson Corporation. Exceed Your Vision es una marca comercial registrada o una marca comercial de Seiko Epson Corporation. Todas las demás marcas son propiedad de sus respectivos propietarios y se utilizan con fines meramente identificativos.

AVISO: El contenido de este manual está sujeto a cambios sin previo aviso.

©Seiko Epson Corporation 2003-2019. Reservados todos los derechos.

ADVERTENCIA

Este es un producto de Clase A. En un ambiente residencial este producto podría causar radiointerferencias, en cuyo caso el usuario podría verse en la necesidad de tomar las medidas apropiadas.

Información importante sobre la seguridad

En esta sección se ofrece información importante para asegurar el uso seguro y eficaz de este producto. Lea esta sección atentamente y guárdela en un lugar accesible.

Clave de los símbolos

Los símbolos incluidos en este manual se identifican por su nivel de importancia, como se define a continuación. Lea cuidadosamente lo siguiente antes de manejar el producto.



ADVERTENCIA:

Hay que seguir cuidadosamente las advertencias para evitar daños físicos.



PRECAUCIÓN:

Hay que observar las precauciones para evitar daños físicos menores o daños en el equipo.

Precauciones de seguridad



ADVERTENCIA:

Apague su equipo de inmediato si éste produce humo, un olor raro, o un ruido inusual. Si sigue utilizándolo podría ocasionar un incendio. Desenchufe inmediatamente el equipo y póngase en contacto con el personal de servicio calificado.

Nunca trate de reparar este producto usted mismo. Una reparación incorrecta puede ser peligrosa.

Nunca desmonte o modifique este producto. La manipulación de este producto puede causar lesiones o un incendio.

Asegúrese de usar la fuente de alimentación eléctrica especificada.

La conexión a una fuente de alimentación eléctrica inadecuada puede causar un incendio.

No deje que materiales extraños caigan dentro del equipo, podría provocar un incendio.

Si se derrama agua o algún otro líquido dentro del equipo, deje de utilizarlo. Si sigue utilizándolo podría ocasionar un incendio. Desenchufe el cable eléctrico inmediatamente y póngase en contacto con personal de servicio cualificado.

Si abre la tapa de los interruptores DIP, cerciórese de cerrar la tapa y de apretar el tornillo después de ajustar el interruptor DIP. Si este producto se usa con la tapa abierta se puede causar un incendio o un cortocircuito.

No utilice aerosoles que contengan gas inflamable en la parte interior o alrededor de este producto. Podría provocar un incendio.



PRECAUCIÓN:

No conecte los cables de forma diferente a la mencionada en este manual. De lo contrario, podría causar daños e incendios.

Asegúrese de poner este equipo sobre una superficie firme, estable, y horizontal. El producto se puede romper o causar lesiones si se cae.

No lo utilice en lugares sujetos a altos niveles de humedad o de polvo.

El exceso de humedad o de polvo podría causar daños al equipo o incendios.

No deje objetos pesados encima de este producto. Nunca se apoye sobre él. El equipo podría caerse causando roturas y posibles lesiones.

Tenga cuidado para no lastimarse los dedos con el cortador manual

- Al retirar papeles impresos
- Cuando realice cualquier otra operación, tal como carga/reemplazo de rollo de papel

Por razones de seguridad, desenchufe este producto si no va a usarlo por un largo período de tiempo.

Antes de mover el equipo, desenchufe todos los cables conectados a él.

Etiqueta de seguridad

Las etiquetas de precaución de este producto indican las siguientes precauciones.



ADVERTENCIA:

No conecte una línea telefónica al conector de apertura del cajón; si lo hace, se pueden dañar la impresora y la línea de teléfono.



PRECAUCIÓN:

Durante la impresión o después de imprimir, el cabezal impresor puede estar muy caliente.

Notas sobre el uso

- No abra la tapa durante la impresión, ni cuando se esté funcionando el cortador automático.
- No instale la impresora en un lugar polvoriento.
- Proteja la impresora contra golpes o impactos.
- Los cables u otros objetos extraños no deben quedar atrapados por la impresora.
- No aplique una fuerza excesiva sobre el cuerpo de la impresora.
- No deje alimentos ni bebidas, como café, sobre la impresora.

Notas sobre la instalación

- Al usar la impresora, compruebe que esté instalada en forma horizontal.
- Si está usando una impresora tipo B o D, puede colgarla en una pared, utilizando el juego de colgadores opcional, WH-10.

Nota:

Para colgar la impresora en una pared, consulte las instrucciones detalladas en el Manual de Instalación del WH-10.

Notas sobre la conexión de la Fuente de Alimentación

Asegúrese de utilizar la fuente de alimentación correcta, tal y como se muestra continuación:

Modelo alfanumérico TM-U220 (tipos A, B, y D)	Modelo multilingüe* TM-U220 (tipos A, B, y D)
"AC adapter, C," "AC adapter, C1" o "PS-180"	"PS-180" o "AC adapter, C1"

*Multilingüe significa que el modelo de impresora puede imprimir cualquiera de los siguientes alfabetos: japonés kanji, chino simplificado, chinos tradicional, caracteres tailandeses o caracteres coreanos.

Acerca de este manual

Este manual proporciona información a los usuarios de la impresora TM-U220 sobre las operaciones básicas para un uso adecuado y seguro de estas impresoras.

Restricción en el uso

Cuando este producto se usa en aplicaciones que requieren de alta fiabilidad/seguridad tales como los dispositivos relacionados con la aviación, los ferrocarriles, la marina, los automóviles, etc.; los dispositivos de prevención de desastres; dispositivos varios de seguridad, etc.; o los dispositivos funcionales/de precisión, etc., usted deberá tener en cuenta los posibles fallos, las redundancias de su diseño para mantener la seguridad y la fiabilidad total de su sistema. Debido a que este producto no tuvo el propósito de usarse en aplicaciones que requieren de una fiabilidad/seguridad sumamente altas tales como los equipos aeroespaciales, equipos principales de comunicación, equipos de control en plantas nucleares, o en equipos médicos relacionados con los cuidados médicos directos, etc., por favor decida usted mismo sobre la adecuación de este producto después de una evaluación completa.

Desembalaje

Los siguientes artículos se incluyen con la impresora estándar. Si alguno de los artículos está dañado, póngase en contacto con su distribuidor.

- Impresora
- Rollo de papel
- Cartucho de cinta exclusivo [ERC-38(B/R)]
- Adaptador de C.A. (Es posible que no venga incluido con la impresora.)

Cómo descargar programas gestores, utilerías y manuales

Los programas gestores, las utilerías y los manuales se pueden descargar en uno de los siguientes URLs.

Para los clientes en América del Norte, visiten el siguiente sitio en la Internet:
www.epson.com/support/

Para los clientes en otros países, visiten el siguiente sitio en la Internet:
www.epson-biz.com/

Panel de control [indicadores luminosos (LEDs) y botones]

Vea la ilustración **B**.

Indicadores luminosos (LEDs)

ALIMENTACIÓN ELÉCTRICA (POWER)

Se ilumina cuando la alimentación eléctrica está encendida y está apagado cuando la alimentación está apagada.

ERROR

Se ilumina cuando la impresora no está en línea (cuando el rollo de papel se ha acabado, o cuando la tapa del rollo de papel está abierta). Apagado cuando la impresora está funcionando correctamente. Parpadea cuando ocurre un error. (Consulte la sección de Localización de problemas.)

FALTA DE PAPEL (PAPER OUT)

Se ilumina cuando se acaba el rollo de papel o cuando está a punto de acabarse.

Botones

ALIMENTACIÓN (FEED)

ALIMENTACIÓN alimenta el rollo de papel.

Nota:

No se puede alimentar papel usando este botón cuando se detecta una situación de falta de papel.

Interruptor de alimentación y Tapa del interruptor

El interruptor de alimentación está en la parte frontal de la impresora. Presiónelo para encender la impresora.

Tapa del interruptor de alimentación

Puede usar la tapa del interruptor de alimentación que se incluye para asegurarse de no presionar este interruptor accidentalmente. Para instalarla, basta con presionar la tapa en su lugar. Si necesita encender o apagar el interruptor de alimentación cuando la tapa está colocada, inserte una herramienta de punta fina en uno de los orificios de la tapa para hacer funcionar el interruptor. Vea la ilustración **C**.



ADVERTENCIA:

Si ocurre un accidente cuando esté colocada la tapa del interruptor de alimentación, desenchufe el cable eléctrico inmediatamente para evitar un incendio.

Si va a guardar la impresora o no la va a usar por mucho tiempo, apáguela usando el interruptor de alimentación.

Instalación y reemplazo del cartucho de cinta



PRECAUCIÓN:

El cabezal impresor se calienta mucho durante la impresión. Deje que se enfríe antes de reemplazar el cartucho de cinta.



PRECAUCIÓN:

Nunca gire el botón del cartucho de cinta en dirección opuesta a la de la flecha marcada en el cartucho; si lo hace el cartucho de cinta podría dañarse.

Nota:

Utilice el cartucho de cinta EPSON ERC-38 para su impresora.

1. Abra la tapa del cartucho de cinta usando las lengüetas laterales de la tapa, tal como se muestra en la ilustración **D**.
2. Gire el botón dos o tres veces en la dirección de la flecha, tal como se muestra en la ilustración **E**.
3. Inserte la cinta en la posición que se muestra en la ilustración **F** y empuje el cartucho de cinta hacia abajo hasta que se oiga un chasquido.

Nota:

Asegúrese de que la cinta quede instalada entre el cabezal impresor y el rodillo, sin arrugas ni dobleces.

4. Gire de nuevo el botón del cartucho de cinta 2 ó 3 veces en la dirección de la flecha y cierre la tapa del cartucho de cinta.



PRECAUCIÓN:

Procure no tocar el cabezal impresor con los dedos al girar el botón del cartucho de cinta, ya que el cabezal impresor está caliente y usted se podría quemar.

Cuando sustituya un cartucho de cinta, primero levante el lado izquierdo del cartucho usado y después extraígallo del todo.

Inserción del rollo de papel



PRECAUCIÓN:

Asegúrese de usar rollos de papel que cumplan con las especificaciones.

Procure no tocar el cortador manual, ya que podría cortarse los dedos.

1. Utilizando unas tijeras, corte el extremo del rollo de papel, como se muestra en la ilustración **G**.
2. Encienda la impresora y abra la tapa del rollo de papel sujetándola por la lengüeta, tal como se muestra en la ilustración **H**.
3. **Sólo para el Tipo A:** Abra la unidad usando la palanca de apertura de la tapa, tal como se muestra en la ilustración **I**.
4. Inserte el rollo de papel, tal como se muestra en la ilustración **J**.

Nota:

*Fíjese en la dirección en que sale el rollo de papel en la ilustración **G**.*

*Cuando use un rollo de papel de 2 capas, cerciórese de que las hojas de arriba y de abajo estén alineadas a la salida del papel. Vea la ilustración **G-a**.*

5. **Si no está usando un recogedor de papel**, tire un poco del extremo del rollo de papel y cierre la tapa del mismo. Después corte el papel con el cortador manual. Puede saltarse los pasos 6 a 11.
6. **Sólo para el Tipo A:** Cuando use un rollo de papel de 2 capas, tire del rollo de papel hasta la parte inferior del frontal de la impresora para que sirva de guía, tal como se muestra en la ilustración **K**.
7. Cierre la unidad, tal como se muestra en la ilustración **L**.
8. Inserte el extremo del papel (diario) en el recogedor de papel, tal como se muestra en la ilustración **M**.
9. Inserte el recogedor de papel en la impresora. Compruebe que el papel esté alineado al lateral derecho del recogedor, como se muestra en la ilustración **N**.
10. Haga avanzar el papel con el botón de ALIMENTACIÓN (FEED) de tal manera que el recogedor sujete el papel.
11. Cierre la tapa del rollo de papel y corte el papel con el cortador manual, tal como se muestra en la ilustración **O**.

Nota:

No abra la tapa del rollo de papel durante la impresión o durante la alimentación del papel.

Cuando use la impresora, asegúrese de cortar el rollo de papel con el cortador manual una vez que termine la alimentación de papel.

Reemplazo del rollo de papel

1. Abra la tapa del rollo de papel sujetándola por la lengüeta, tal como se muestra en la ilustración **H**.
2. **Tipos B y D:** Quite el núcleo del rollo de papel usado.
3. **Sólo para el Tipo A:** Extraiga el recogedor de papel, y abra la unidad usando la palanca de apertura, tal como se muestra en la ilustración **I**; a continuación retire el núcleo del rollo de papel usado.
4. Inserte el nuevo rollo de papel. Vea la sección “Inserción del rollo de papel”.

Localización de problemas

La impresión se detiene de imprimir todas las líneas o imprime repetidamente las mismas líneas

Si no se utiliza la fuente de alimentación correcta, la impresora no podrá funcionar correctamente. Asegúrese de que está conectada a la impresora la fuente de alimentación correcta utilizando el siguiente cuadro:

La fuente de alimentación que puede utilizarse con el modelo alfanumérico TM-U220 (tipos A, B, y D)	La fuente de alimentación que puede utilizarse con el modelo multilingüe* TM-U220 (tipos A, B, y D)
"AC adapter, C", "AC adapter, C1" o "PS-180"	"PS-180" o "AC adapter, C1"

*Multilingüe significa que el modelo de impresora puede imprimir cualquiera de los siguientes alfabetos: japonés kanji, chino simplificado, chinos tradicional, caracteres tailandeses o caracteres coreanos.

No se encienden los indicadores del panel de control.

- Revise las conexiones del cable eléctrico y la toma de corriente.

El indicador de **ERROR** está parpadeando o encendido

- La temperatura del cabezal impresor puede estar muy alta o muy baja. Espere hasta que el cabezal impresor se enfríe o se caliente y la impresora reanude automáticamente la impresión.
- Compruebe que la tapa del rollo de papel esté bien cerrada.
- Tipos A y B: La cuchilla del cortador automático no está en la posición normal y está bloqueada. Si es un bloqueo sencillo, el error se corrige automáticamente. De lo contrario, consulte el apartado siguiente para colocar la cuchilla a su posición normal manualmente.
- Ha ocurrido un atasco de papel. Consulte "Extracción del papel atascado" más adelante.
- Apague la impresora, espere varios segundos, y después vuélvala a encender. Si el error persiste, comuníquese con su distribuidor o con un Servicio técnico oficial de Epson.

Colocar la cuchilla del cortador a su posición normal

1. Abra la tapa del rollo de papel sujetándola por la lengüeta, tal como se muestra en la ilustración **H**.
2. Utilice un bolígrafo o unas pinzas para girar el botón del cortador automático en la dirección indicada por la flecha hasta que vea un eje redondo en el orificio, tal como se muestra en la ilustración **P**.

Extracción del papel atascado



PRECAUCIÓN:

El cabezal impresor se calienta mucho durante la impresión. Deje que se enfríe antes de tocar el interior de la impresora.

1. Abra la tapa del rollo de papel sujetándola por la lengüeta, como se muestra en la ilustración **H**.
2. Si tiene una impresora **Tipo A** saque el recogedor de papel y abra la unidad usando la palanca de apertura, tal como se muestra en la ilustración **I**.
3. Saque el papel atascado.
4. Vuelva a insertar el rollo de papel y cierre la tapa del rollo de papel.

TM-U220

Manual do utilizador

Especificações e interruptores DIP

As especificações técnicas e as informações sobre os interruptores DIP encontram-se no início deste manual.

Ilustrações

As ilustrações encontram-se todas no início deste manual e estão identificadas por letras (A, B, C...). No texto, as ilustrações são identificadas por essas letras (por exemplo, “Consulte a ilustração A”). Algumas ilustrações têm setas ou linhas numeradas que indicam partes da ilustração. Consulte a lista seguinte para saber o que significam os números.

As instruções deste manual dizem respeito a três modelos da TM-U220, pelo que algumas ilustrações podem ser ligeiramente diferentes para a sua impressora; contudo, as instruções abrangem todos os modelos, salvo indicação em contrário

Ilustração A

1. Tampa do rolo de papel
2. Tampa da cassete de fita
3. Painel de controlo
4. Interruptor de funcionamento

Todos os direitos reservados. Esta publicação não pode ser integral ou parcialmente reproduzida, arquivada nem transmitida por meio de fotocópias, gravação ou qualquer outro sistema mecânico ou electrónico, sem a prévia autorização por escrito da Seiko Epson Corporation, que não assume qualquer responsabilidade de patente no que diz respeito ao uso das informações aqui contidas. Uma vez que foram tomadas todas as precauções na elaboração deste manual, a Seiko Epson Corporation não se responsabiliza por erros ou omissões, nem por quaisquer danos resultantes do uso das informações aqui contidas.

O comprador deste produto ou terceiros não podem responsabilizar a Seiko Epson Corporation, ou as suas filiais, por quaisquer danos, perdas, custos ou despesas, incorridos por ele ou por terceiros, resultantes de acidentes, abusos ou má utilização do produto, de modificações não autorizadas, reparações ou alterações do produto, ou (excluindo os E.U.A) resultantes ainda da inobservância estrita das instruções de utilização e manutenção estabelecidas pela Seiko Epson Corporation.

A Seiko Epson Corporation não se responsabiliza por quaisquer danos ou problemas provocados pela utilização de opções ou consumíveis não reconhecidos como sendo produtos originais Epson ou produtos aprovados pela Seiko Epson Corporation. “EPSON” é uma marca registada da Seiko Epson Corporation. “Exceed Your Vision” é uma marca registada ou marca comercial da Seiko Epson Corporation. Todas as outras marcas comerciais são propriedade dos respectivos proprietários e utilizadas apenas para fins de identificação.

AVISO: O conteúdo deste manual está sujeito a alterações sem aviso prévio.

©Seiko Epson Corporation 2003-2019. Todos os direitos reservados.

IMPORTANTE

Este é um produto de Classe A. Num ambiente doméstico, este produto poderá causar interferência de rádio. Nesse caso, o utilizador poderá ter de tomar medidas adequadas.

Informações de segurança importantes

Esta secção contém informações importantes que garantem uma utilização segura e eficaz deste produto. Leia esta secção com atenção e guarde-a num local de fácil acesso.

Significado dos símbolos

Os símbolos que aparecem neste manual são identificados pelo seu grau de importância, como se explica em seguida. Leia atentamente estas informações antes de manusear o produto.



IMPORTANTE:

Cuidados que deve ter para evitar danos físicos graves.



ATENÇÃO:

Cuidados que deve ter para evitar danos físicos menores ou danos no equipamento.

Precauções de segurança



IMPORTANTE:

Se o equipamento emitir fumo, um odor estranho ou um ruído invulgar, desligue-o imediatamente. Se o continuar a utilizar, poderá provocar um incêndio. Desligue imediatamente o equipamento da tomada e contacte em contacto com pessoal de assistência qualificado.

Nunca tente reparar este produto. Uma reparação indevida pode ser perigosa.

Nunca desmonte ou modifique este produto. Qualquer tentativa nesse sentido pode causar ferimentos ou um incêndio.

Certifique-se de que utiliza a fonte de energia especificada. A ligação a uma fonte de energia inadequada pode causar um incêndio.

Não insira objectos estranhos no interior do equipamento; caso contrário, poderá provocar um incêndio.

Se derramar água ou outro líquido no equipamento, desligue imediatamente o cabo de corrente e entre em contacto com pessoal de assistência qualificado. Se continuar a utilizar o equipamento, poderá provocar um incêndio.

Se abrir a tampa do comutador DIP, não se esqueça de a fechar e de apertar o parafuso depois de ajustar o comutador DIP. A utilização deste produto com a tampa aberta pode resultar num incêndio ou choque eléctrico.

Não utilize produtos que contenham gás inflamável no interior ou à volta do equipamento. Fazê-lo poderá causar incêndio.



ATENÇÃO:

Não ligue os cabos de maneira diferente da indicada neste manual. Ligações diferentes podem danificar o equipamento e provocar um incêndio.

Coloque este equipamento numa superfície firme, estável e horizontal.

O equipamento pode ficar danificado ou causar ferimentos se cair.

Não utilize o equipamento em locais com muito pó ou humidade.
A humidade e o pó em excesso podem causar danos no equipamento ou um incêndio.

Não coloque objectos pesados em cima deste produto, nem se apoie sobre ele. Se o equipamento cair, pode ficar danificado e causar ferimentos.

Tome cuidado em não ferir os seus dedos no cortador manual quando Você:

- Remove papel impresso
- Executa outras atividades como carga / substituição de rolo de papel

Para garantir uma maior segurança, desligue este produto da tomada de corrente se não pretender utilizá-lo durante um período de tempo considerável.

Antes de transportar o produto, desligue o produto e todos os cabos a ele ligados.

Etiqueta de segurança

As etiquetas de aviso no produto indicam as seguintes precauções.



ATENÇÃO:

Não ligue uma linha telefónica ao conector de abertura da gaveta; caso contrário, a impressora e a linha telefónica poderão ficar danificados.



IMPORTANTE:

Durante ou após a impressão, a cabeça de impressão pode estar muito quente.

Notas sobre utilização

- Não abra a tampa durante a impressão ou enquanto o dispositivo de corte automático estiver em funcionamento.
- Não instale a impressora num local com muito pó.
- Proteja a impressora contra impactos.
- Não permita que cabos ou outros objectos estranhos fiquem presos na impressora.
- Não aplique demasiada força na caixa da impressora.
- Não coloque alimentos ou bebidas, como café, na caixa da impressora.

Notas sobre instalação

- Quando utilizar a impressora, certifique-se de que está instalada na horizontal.
- Se estiver a utilizar uma impressora do tipo B ou D, pode colocar a impressora na parede através do suporte de fixação opcional WH-10.

Nota:

Para colocar a impressora na parede, consulte as instruções pormenorizadas contidas no Manual de instalação do suporte WH-10.

Notas sobre a conexão da caixa alimentadora

Certifique-se de que está a usar a caixa alimentadora correcta indicada na lista abaixo:

Modelo alfanumérico TM-U220 (tipos A, B e D)	Modelo multilingual* TM-U220 (tipos A, B e D)
"AC adapter, C", "AC adapter, C1" ou "PS-180"	"PS-180" ou "AC adapter, C1"

*Multilingual significa que o modelo de impressora pode imprimir qualquer dos seguintes caracteres: japonês Kanji, chinês simplificado, caracteres Thai ou caracteres coreanos.

Objectivo deste manual

Este manual contém informações para os utilizadores das impressoras TM-U220 e descreve operações básicas que permitem a utilização segura e correcta do equipamento.

Restrições quanto à utilização

Quando este produto for utilizado em aplicações que requeiram alta fiabilidade/segurança, como por exemplo dispositivos de transporte relacionados a aviação, carris, por via marítima, automotiva, etc.; dispositivos para a prevenção de desastres; vários dispositivos de segurança, etc.; ou dispositivos funcionais/de precisão, etc., deve-se utilizá-lo apenas após considerar-se adequadamente a inclusão de protecção contra falhas e de redundâncias no seu projecto de forma a manterem-se a segurança e a total fiabilidade do sistema. Como este produto não se destina à utilização em aplicações que requeiram fiabilidade/segurança extremamente altas, como equipamentos aeroespaciais, equipamentos de base para comunicações, equipamentos para o controlo de energia nuclear, ou equipamentos médicos relacionados a cuidados médicos directos, etc., queira tomar a sua própria decisão sobre a adequação deste produto após uma avaliação completa.

Desembalagem

Os seguintes elementos são fornecidos com a versão base da impressora. Se algum deles estiver danificado, entre em contacto com o seu fornecedor

- Impressora
- Papel em rolo
- Cassete de fita exclusiva [ERC-38(B/R)]
- Adaptador CA (pode não ser fornecido com a impressora).

Download de Drivers, Utilitários e Manuais

Pode-se fazer o download dos drivers, utilitários e manuais a partir de um dos URL abaixo.

Para clientes na América do Norte, visitar o seguinte sítio da web:
www.epson.com/support/

Para clientes noutros países, visitar o seguinte sítio da web:
www.epson-biz.com/

Painel de controlo (indicadores luminosos e teclas)

Consulte a ilustração **B**.

Indicadores luminosos

FUNCIONAMENTO (POWER)

Acende quando a impressora está ligada e apaga quando a impressora está desligada.

ERRO (ERROR)

Acende quando a impressora está desactivada (quando o papel em rolo está a acabar, ou quando a tampa do papel em rolo está aberta). Apaga quando a impressora está a funcionar correctamente. Fica intermitente quando ocorre um erro (consulte a secção "Resolução de problemas").

SEM PAPEL (PAPER OUT)

Acende quando o papel em rolo acaba ou quando está quase a acabar.

Teclas

ALIMENTAÇÃO DE PAPEL (FEED)

A tecla de alimentação de papel (FEED) alimenta o papel em rolo.

Nota:

O papel não pode ser alimentado por meio desta tecla quando for detectada falta de papel.

Interruptor de funcionamento e tampa do interruptor de funcionamento

O interruptor de funcionamento encontra-se na parte frontal da impressora. Pressione o interruptor para ligar a impressora.

Tampa do interruptor de funcionamento

Pode utilizar a tampa do interruptor de funcionamento fornecida para impedir que o interruptor seja pressionado acidentalmente. Para colocar a tampa, basta exercer uma ligeira pressão sobre ela até a encaixar. Se precisar de ligar ou desligar a impressora com a tampa colocada, pode introduzir uma ferramenta fina num dos orifícios existentes na tampa para poder utilizar o interruptor. Consulte a ilustração **C**.

 **ATENÇÃO:**

Se ocorrer um acidente quando a tampa do interruptor de funcionamento estiver colocada, desligue imediatamente o cabo de corrente para evitar um incêndio.

Se pretender guardar a impressora ou não a utilizar durante um período de tempo considerável, desligue-a utilizando o interruptor de funcionamento.

Instalar ou substituir a cassete de fita

  **IMPORTANTE:**

A cabeça de impressão fica muito quente durante a impressão. Aguarde que a cabeça arrefeça antes de substituir a cassete de fita.

 **IMPORTANTE:**

Nunca rode o botão de alimentação da cassete de fita no sentido contrário ao da seta existente na cassete; caso contrário, a cassete de fita pode ficar danificada.

Nota:

Utilize a cassete de fita ERC-38 da EPSON para a sua impressora.

1. Abra a tampa da cassete de fita utilizando as patilhas laterais da tampa, conforme indica a ilustração **D**.
2. Rode duas ou três vezes o botão no sentido da seta, conforme indica a ilustração **E**.
3. Coloque a fita na posição indicada na ilustração **F** e pressione a cassete de fita para baixo até ouvir um clique.

Nota:

Certifique-se de que a fita está instalada entre a cabeça de impressão e o rolo de impressão e que não tem vincos nem dobras.

4. Rode novamente duas ou três vezes o botão da cassete de fita no sentido da seta e feche a tampa da cassete de fita.

  **IMPORTANTE:**

Tenha cuidado para não tocar na cabeça de impressão com os dedos quando rodar o botão da cassete de fita; a cabeça de impressão está quente e pode queimá-lo.

Quando substituir a cassete de fita, levante primeiro o lado esquerdo da cassete de fita e, em seguida, levante toda a cassete.

Instalar o papel em rolo

 **IMPORTANTE:**

Certifique-se de que utiliza papel em rolo que esteja de acordo com as especificações.

Certifique-se de que não toca no dispositivo de corte manual. Se o fizer, pode ferir os dedos.

1. Com uma tesoura, corte a extremidade do papel em rolo, conforme indica a ilustração **G**.
2. Ligue a impressora e abra a tampa do papel em rolo utilizando as patilhas, conforme indica a ilustração **H**.
3. **Apenas para o tipo A:** abra a unidade utilizando a alavanca de abertura, conforme indica a ilustração **I**.
4. Coloque o papel em rolo, conforme indica a ilustração **J**.

Nota:

*Repare no sentido em que o papel sai do rolo, conforme indica a ilustração **G**.*

*Ao utilizar o papel em rolo duplo, certifique-se de que as folhas, inferior e superior, estejam alinhadas com a saída do papel. Consulte a ilustração **G-a**.*

5. **Se não estiver a utilizar um dispositivo de enrolamento,** puxe um bocado de papel para fora e feche a tampa do papel em rolo; em seguida, corte o papel com o dispositivo de corte manual. Pode avançar os pontos de 6 a 11.
6. **Apenas para o tipo A:** quando utilizar papel em rolo duplo, puxe o papel para fora, até à parte inferior frontal da impressora, conforme indica a ilustração **K**.
7. Feche a unidade, conforme indica a ilustração **L**.
8. Insira a extremidade do papel de baixo (papel de histórico) no dispositivo de enrolamento do papel, conforme indica a ilustração **M**.
9. Coloque o dispositivo de enrolamento do papel na impressora. Certifique-se de que o papel fica alinhado com o rebordo do dispositivo, conforme indica a ilustração **N**.
10. Alimente o papel com a tecla de alimentação de papel (FEED) de forma a que este seja enrolado pelo dispositivo.
11. Feche a tampa do papel em rolo e corte o papel com o dispositivo de corte manual, conforme indica a ilustração **O**.

Nota:

Não abra a tampa do papel em rolo durante a impressão ou a alimentação do papel.

Quando utilizar a impressora, certifique-se de que corta o papel em rolo com o dispositivo de corte manual depois de a alimentação do papel terminar.

Substituir o rolo de papel

1. Abra a tampa do papel em rolo utilizando a patilha, conforme indica a ilustração **H**.
2. **Tipos B e D:** retire o rolo do papel gasto.
3. **Apenas para o tipo A:** retire o dispositivo de enrolamento e abra a unidade com a alavanca de abertura, conforme indica a ilustração **I**; em seguida, retire o rolo do papel gasto.

- Coloque o novo rolo de papel. Consulte a secção “Instalar o papel em rolo”.

Resolução de problemas

A impressão termina antes de estarem impressas todas as linhas ou a impressora imprime repetidamente a mesma linha

Se não for usada a caixa alimentadora correcta, a impressora não pode operar correctamente. Certifique-se de que a caixa alimentadora é a correcta para a impressora indicado na tabela abaixo:

A caixa alimentadora que pode ser usada com o modelo alfanumérico TM-U220 (tipos A, B e D)	A caixa alimentadora que pode ser usada com o modelo multilingual TM-U220 (tipos A, B e D)
“AC adapter, C”, “AC adapter, C1” ou “PS-180”	“PS-180” ou “AC adapter, C1”

*Multilingual significa que o modelo de impressora pode imprimir qualquer dos seguintes caracteres: japonês Kanji, chinês simplificado, caracteres Thai ou caracteres coreanos.

Os indicadores luminosos do painel de controlo não acendem

- Verifique as ligações entre o cabo de corrente e a tomada eléctrica.

O indicador luminoso de erro está intermitente ou aceso

- A temperatura da cabeça de impressão pode estar muito alta ou muito baixa. Aguarde que a cabeça de impressão arrefeça ou aqueça; a impressora retoma a impressão automaticamente.
- Certifique-se de que a tampa do papel em rolo está correctamente fechada.
- Tipos A e B: a lâmina do dispositivo de corte automático não está na posição normal e o dispositivo de corte automático está bloqueado. Se for um bloqueio simples, o erro será corrigido automaticamente. Se assim não for, consulte as instruções indicadas em seguida para que a lâmina regresse à posição normal.
- Ocorreu um encravamento de papel. Consulte as instruções indicadas em seguida para remover o papel encravado.
- Desligue a impressora, aguarde alguns segundos e, em seguida, ligue-a novamente. Se o erro persistir, contacte um responsável ou um técnico especializado.

Fazer regressar a lâmina do dispositivo de corte automático para a posição normal

- Abra a tampa do papel em rolo utilizando a patilha, conforme indica a ilustração **H**.
- Utilize uma esferográfica ou uma pinça para rodar o botão do dispositivo de corte automático no sentido indicado pela seta até conseguir ver um eixo redondo no orifício, conforme indica a ilustração **P**.

Remover papel encravado



ATENÇÃO:

A cabeça de impressão fica muito quente durante a impressão. Aguarde que a cabeça de impressão arrefeça antes de mexer no interior da impressora.

1. Abra a tampa do papel em rolo utilizando a patilha, conforme indica a ilustração **H**.
2. Se estiver a utilizar uma impressora do **Tipo A**, retire o dispositivo de enrolamento e abra a unidade com a alavanca de abertura, conforme indica a ilustração **I**.
3. Retire o papel encravado.
4. Volte a colocar o papel em rolo e feche a respectiva tampa.

Printed in XXXXXX