



Title	Cutting the last wires for mobile communications by microwave power transfer
Author(s)	Huang, K; Zhou, X
Citation	IEEE Communications Magazine, 2015, v. 53, p. 86-93
Issued Date	2015
URL	http://hdl.handle.net/10722/214174
Rights	Creative Commons: Attribution 3.0 Hong Kong License

Cutting the Last Wires for Mobile Communications by Microwave Power Transfer

Kaibin Huang and Xiangyun Zhou

ABSTRACT

The advancements in microwave power transfer (MPT) over recent decades have enabled wireless power transfer over long distances. The latest breakthroughs in wireless communication — massive MIMO, small cells, and millimeter-wave communication — make wireless networks suitable platforms for implementing MPT. This can lead to the elimination of the “last wires” connecting mobile devices to the grid for recharging, thereby tackling a huge long-standing ICT challenge. Furthermore, the seamless integration between MPT and wireless communication opens up a new area called wirelessly powered communications (WPC) where many new research directions arise, such as simultaneous information and power transfer, WPC network architectures, and techniques for safe and efficient WPC. This article provides an introduction to WPC by describing the key features of WPC, shedding light on a set of frequently asked questions, and identifying the key design issues and discussing possible solutions.

INTRODUCTION

Recent decades have seen the explosive growth of wireless communications. A sequence of breakthroughs such as multiple-input multiple-output (MIMO), capacity achieving codes, millimeter-wave communications, and small cell networks have achieved gigabit speeds for wireless access. As wireless and wired access speeds are becoming comparable, mobile devices, including smartphones, tablets, and laptop computers, have replaced desktop computers as the dominant platforms for Internet access. In contrast, advancements in battery technologies have been much slower. The resultant short battery lives require mobile devices to be periodically tethered to the grid for battery recharging. The cables for recharging are the last barrier for the devices to attain true mobility and thus are called the “last wires” in this article. As mobile services have penetrated different fields of modern society, such as banking, health care, and civil defense, interruption due to dead batteries can cause issues far more severe than mere inconvenience,

such as financial loss, and threats to health and public safety. Moreover, the production of billions of non-recyclable chargers per year poses a serious environmental issue. The urgency of addressing these issues and the existence of many market opportunities have recently motivated both the industry and academia to direct huge efforts and funding toward developing technologies for wireless power transfer. Breakthroughs in such technologies will solve the grand information and communications technologies (ICT) challenge of cutting the last wires.

The idea of wireless power transfer using radio waves was first conceived and experimented by Nicola Tesla in 1899. However, the area did not pick up until the 1960s when microwave technologies rapidly advanced, opening an active research field called microwave power transfer (MPT) [1]. In particular, the availability of large-scale antenna arrays and high-power microwave generators enables beaming high power in a desired direction. Moreover, the invention of rectifying antennas (rectennas) renders energy conversion loss to a practically negligible level. Many advanced MPT systems have been designed, such as wirelessly powered airborne vehicles that require no refueling and solar powered satellites [1]. However, the enormous antenna arrays (e.g., arrays with diameters of hundreds of meters) that are instrumental for efficient MPT in such systems are impractical for everyday life applications. This issue, together with safety concerns, has delayed the commercialization of MPT. On the contrary, without such issues, non-radiative technologies for wireless power transfer, inductive coupling and resonant coupling between two coils, have been standardized and widely commercialized in mobile devices, home appliances, and electric vehicles (see, e.g., [2]). However, such technologies have the drawbacks of extremely short transfer distances (typically no more than a meter) and lack of support for mobility.

With long propagation ranges and support of mobility and multicasting, MPT appears to be a promising candidate technology for cutting the “last wires” if the two main challenges, *high propagation loss* and *safety concerns*, can be overcome. Both relying on microwaves as transmission vehicles, MPT and wireless communication

Kaibin Huang is with the University of Hong Kong.

Xiangyun Zhou is with the Australian National University.

have interwound R&D histories, yielding many common techniques and theories (e.g., beamforming and propagation). The similarity allows communication techniques and network designs to be applied to tackle the MPT challenges. Specifically, sophisticated signal processing techniques for channel estimation, power control, and adaptive beamforming can be adopted to ensure safety in MPT. Moreover, the latest breakthroughs in wireless communications — small cells, transmission using large-scale antenna arrays, and millimeter-wave communications — will dramatically reduce transmission distances and enable sharp beamforming, which will suppress propagation loss and achieve high power transfer efficiencies. The availability of enabling technologies suggests that the time has come for cutting the last wires, opening up the new area of wirelessly powered communications (WPC) with many exciting new research opportunities and applications. This article introduces WPC by discussing its key features, answering a set of frequently asked questions, and identifying the key design challenges.

KEY FEATURES OF WIRELESSLY POWERED COMMUNICATIONS

In this section, we introduce several key features of WPC, including MPT, mobile architecture supporting energy harvesting, and simultaneous wireless information and power transfer (SWIPT).

MICROWAVE POWER TRANSFER

Power Beamforming: Efficient MPT hinges on concentrating radiated power in the direction of a target mobile by forming a microwave beam. Such beamforming for the sole purpose of power transfer is called *power beamforming*. A beam can be formed using an antenna array (or aperture antenna). The elements of the array are arranged with separation no larger than a half wavelength so as to avoid “grating lobes” (multiple beams). Under this constraint, the beam sharpness increases with the array size (or equivalently the number of elements). Sharp beamforming and short propagation distances are the key conditions for efficient MPT. They can be achieved by the two latest corresponding wireless communication technologies: *large-scale antenna arrays* (with hundreds to thousands of antenna elements) and *small cells*, currently under extensive development and expected to be deployed in next-generation wireless networks [3].

With the array size fixed, the beam sharpness can be increased by scaling up the carrier frequency and correspondingly packing more antennas into the array. Traditional MPT without dedicated spectrum uses the carrier frequency of either 2.4 GHz or 5.8 GHz in the industrial, scientific, and medical (ISM) band [1]. However, with the rapid advancement of millimeter-wave communication, the MPT embedded in WPC can be operated in the 60 GHz bandwidth in the near future. Such high frequencies enable ultra-sharp beamforming even when the array size is small, leading to dramatically improved power transfer efficiencies.

Power Transfer Channel and Beam Efficiency: Rich scattering is typical in a wireless communication channel, and can be combined with transmit and receive antenna arrays to support multiple parallel data streams without requiring additional bandwidth. In contrast, free-space propagation is essential for power beamforming, since a scatterer can disperse a power beam and cause the transfer efficiency to drop dramatically. Thus, a power transfer channel refers to one over free space. The propagation distance ranges from the *near field*, where the distance is comparable with the transmit array dimensions, to the *far field*. The factors determining the propagation loss include:

- The apertures of the transmit and receive arrays, denoted as A_t and A_r , respectively
- The wavelength λ
- The propagation distances d as elaborated below

The end-to-end MPT efficiency is equal to the product of three efficiencies:

- DC-to-RF power conversion efficiency
- *Beam efficiency* defined as the ratio between the received and radiated powers
- RF-to-DC power conversion efficiency

The state-of-the-art microwave generators and rectennas can achieve close-to-one values (e.g., 80 percent) for the first and third efficiencies, respectively [1]. Therefore, the beam efficiency is the bottleneck for efficient MPT over long distances.

Consider a pair of transmit/receive circular aperture antennas (which can be replaced by arrays with the same apertures) facing each other over a power transfer channel. For this scenario, the beam efficiency can be accurately approximated as [1]

$$\text{Beam Efficiency} = 1 - e^{-\beta} \quad (1)$$

where β is given as

$$\beta = \frac{A_t A_r}{(\lambda d)^2}. \quad (2)$$

Note that Eq. 2 is equivalent to the Friis equation for far-field transmission. The propagation as described in Eq. 1 covers both the near and far fields. For the far field where β is small (large d), the propagation loss is approximately equal to β , thus following the Friis transmission equation. For the near field where d is small and hence β is large, the beam efficiency is close to one. The beam efficiency is plotted in Fig. 1 as a function of the ratio between the transfer distance and the receiver antenna radius, where the carrier frequency is 2.4 GHz. Next, Eq. 1 suggests the trade-offs between the MPT parameters A_r , A_t , λ , and d . In particular, for a given beam efficiency, doubling the transmit-array radius or the carrier frequency doubles the transfer distance or supports recharging of smaller (half-size) mobiles. For instance, scaling up the frequency from 2.4 GHz to 60 GHz in the millimeter band increases the power transfer distance by 25 times. This, however, requires the numbers of transmit/receive antennas to grow by the square of this factor if the aperture antennas are replaced by antenna arrays.

With the rapid advancement of millimeter-wave communication, the MPT embedded in WPC can be operated in the 60 GHz bandwidth in the near future. Such high frequencies enable ultra-sharp beamforming even when the array size is small, leading to dramatically improved power transfer efficiencies

MOBILE ARCHITECTURE FOR WPC

A traditional mobile device consists of an information transceiver powered by a rechargeable battery. For WPC, an RF energy harvester is included in the mobile device for harvesting energy from the incident microwave signal to power the transceiver as shown in Fig. 2. The design of an energy harvester is rather simple and consists of a rectifying circuit for converting the RF signal at the antenna output to DC power that is stored using a rechargeable battery or a super capacitor. The most popular and efficient design of an RF energy harvester uses a rectenna that integrates a single antenna and a rectifying circuit.

The functionality of the antennas used by the information transceiver and energy harvester is different. The array attached to the transceiver

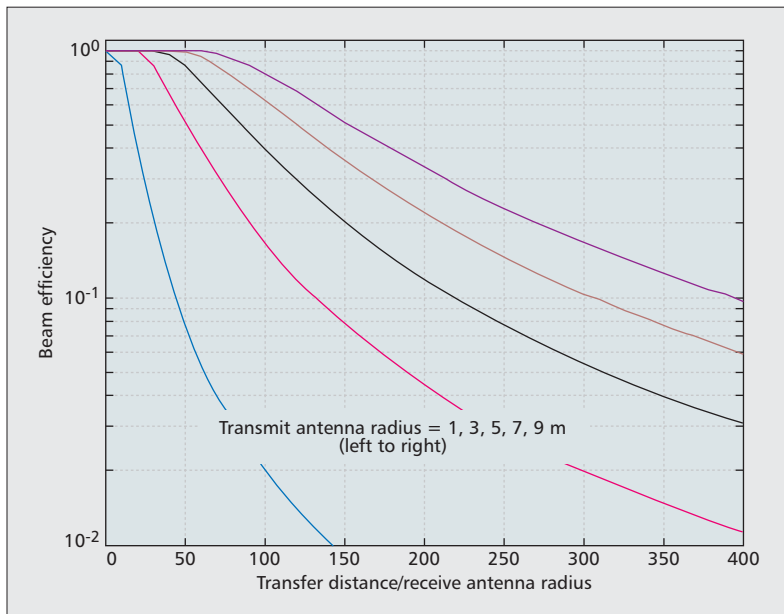


Figure 1. Beam efficiency for MPT vs. the ratio between the transfer distance and the receiver antenna radius for a carrier frequency of 2.4 GHz.

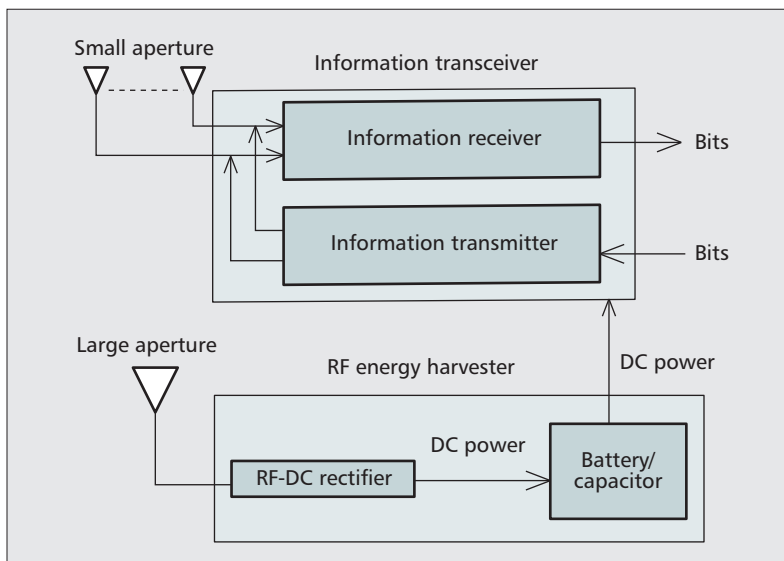


Figure 2. Mobile architecture for WPC.

enables multi-antenna communication and array processing (e.g., receive beamforming and interference nulling). Therefore, it is desirable to have as many (small) antenna elements as possible. On the other hand, the rectenna requires capturing as much incident power as possible; hence, the rectenna design aims for the largest possible antenna aperture. This is an important trade-off for designing a WPC receiver under a form-factor constraint.

SIMULTANEOUS WIRELESS INFORMATION AND POWER TRANSFER

Since the information transceiver and energy harvester have separate antennas and circuits, the mobile architecture supports SWIPT [4]. As illustrated in Fig. 3, there are three designs of a SWIPT system: *integrated SWIPT*, *closed-loop SWIPT*, and *decoupled SWIPT*, which are described as follows. Integrated SWIPT in Fig. 3a is the simplest design where power and information are extracted by the mobile from the same modulated microwave transmitted by a base station (BS). For this design, information transfer (IT) and power transfer (PT) distances are constrained to be equal. Closed-loop SWIPT in Fig. 3b consists of *downlink PT* and *uplink IT*. The signal power received at the BS originates from the BS radiated power, and its closed-loop propagation (downlink+uplink) incurs double attenuation [5]. Thus, closed-loop SWIPT only supports very short ranges and is unsuitable for cell edge mobiles. Last, a decoupled-SWIPT system in Fig. 3c builds on the traditional communication system to include an additional special station, called a *power beacon* (PB), dedicated for MPT to mobiles [6]. PT and IT are orthogonalized by using different frequency bands or time slots to avoid interference, which is given the name decoupled SWIPT. Unlike BSs, PBs require no backhaul links, and the resultant low cost allows dense deployment to enable efficient MPT.

WIRELESSLY POWERED COMMUNICATIONS: FREQUENTLY ASKED QUESTIONS

Current research focuses on developing the WPC theory based on abstracted system models. Surprisingly, many frequently asked questions (FAQs) on, say, the practicality and safety of WPC, remain unanswered. In this section, an attempt is made to shed light on some FAQs.

HOW FAR CAN A MOBILE DEVICE BE WIRELESSLY POWERED?

BSs can support communication ranges up to tens of kilometers. This can lead to the misconception that BSs/PBs can also power mobiles at comparable distances since both IT and PT use microwaves as vehicles. It is important to understand that the efficiency of PT depends on the received signal power while the reliability of IT is determined by the receive signal-to-noise ratio (SNR). Since the noise power is extremely low (e.g., -120 dBm), the received signal power for

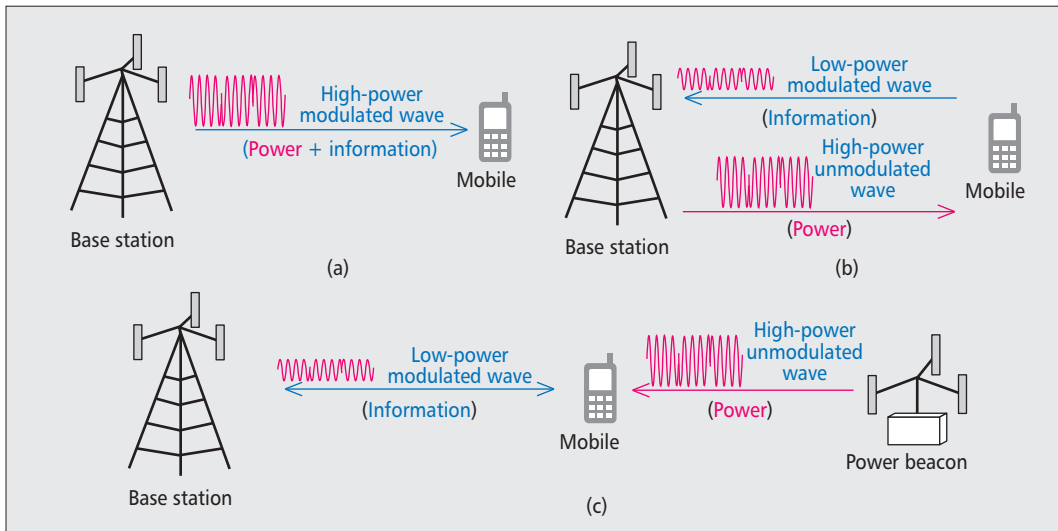


Figure 3. Three system configurations for SWIPT: a) integrated SWIPT; b) closed-loop SWIPT; c) decoupled SWIPT.

IT falls in the range of -100 dBm to -50 dBm, which is many orders of magnitude lower than the power consumption of mobile devices. Thus, one should expect drastically shorter ranges for PT than those for IT. For comparison, the typical values for received signal power and the power consumption of popular mobile devices are listed as follows.

- **Wireless signals:** -120 to -50 dBm
- **ZigBee devices or sensors:** 1 to 100 mW
- **Smartphones:** 19 mW to 1.3 W
- **Tablet computers:** 1 W to 11 W
- **Laptop computers:** 19 W to 52 W

One can see that the typical power consumption of mobile devices ranges from milliwatts for sensors or ZigBee devices to tens of watts for laptop computers, which are about 50–100 dB higher than the range of wireless signal power. In addition, the sensitivity level of a typical energy harvester is on the order of -10 dBm, and below this level little energy can be harvested.

To get a concrete answer to the current question, the PT distances can be computed using practical settings. Consider the scenario where a PB wirelessly powers a mobile device where transmit and receive antenna apertures are assumed to be circular. The power transfer ranges are computed numerically based on the beam efficiency equation, Eq. 1, and the results are plotted in Fig. 4 for different transmitted powers. The specifications for the numerical computation are summarized in the caption of Fig. 4. It is surprising that the PT ranges for small to medium devices (ZigBee/sensors, smartphones, tablets) are very similar. The reason is that a larger device can harvest more power (with a larger antenna aperture) that compensates for the increase in power consumption. One can observe that a PB transmitting tens of Watts can power sensors, smartphones, and tablets at a distance of around 10 m. Interestingly, this distance matches the smartphone recharging range of the MPT-based charging station developed by a new startup called COTA [7]. The relative short PT distances in Fig. 4 suggest that PBs should be equipped with large-scale

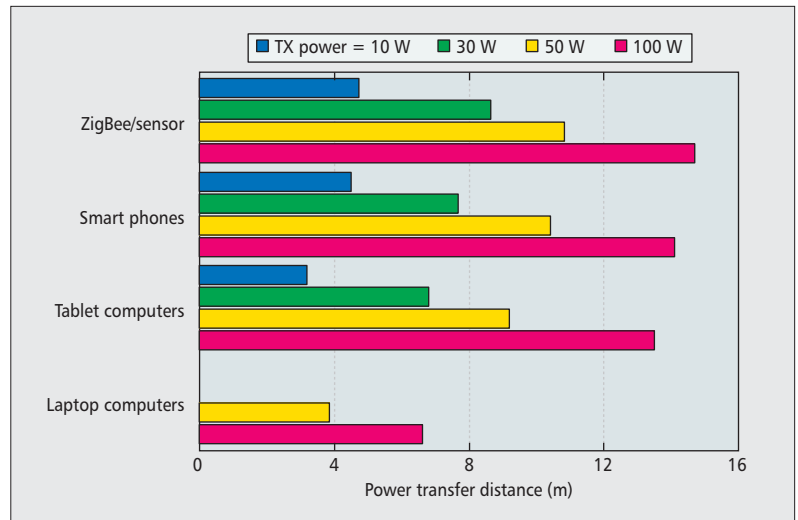


Figure 4. Power transfer ranges for different types of mobile devices. The transmitter antenna array has about 260 elements separated by half wavelength and arranged on a disk, having an aperture of 3 m in radius. The carrier frequency is 2.5 GHz. The RF-to-DC conversion efficiency is 70 percent. The power consumption and antenna radii for different types of mobile devices are assumed to be (50 mW, 1 cm) for ZigBee devices, (0.5 W, 3 cm) for smart phones, (5 W, 9 cm) for tablet computers, and (25 W, 11 cm) for laptop computers.

antenna arrays and installed in an indoor environment or with a high density.

To summarize, under practical constraints, the MPT distance is in the range of 3–15 m for typical mobile devices depending on the radiated power. The MPT ranges for ZigBee devices, sensors, and tablets are similar and about twice those of laptop computers. Such distances are still substantially shorter than cell radii of fifth generation (5G) small cell networks, which are 50–100 m [3].

IS WPC SAFE?

By sharp power beamforming, the power density can be high along the path from a PB to a target mobile. This can potentially cause health hazards

A relatively practical solution for providing network coverage for SWIPT is its implementation based on decoupled SWIPT that exploits low-cost PBs for dense deployment.

to a human body accidentally intercepting the path. According to international safety standards set by authorities such as the Federal Communications Commission (FCC) and International Commission on Non-Ionizing Radiation Protection (ICNIRP) [8, Table 3], a person should not be exposed to microwave radiation with an average power density higher than 10 W/m^2 over a half-hour time window. Note that the wavefront area of a beam grows with the propagation distance, and thus, the power density of the beam decreases accordingly. We can define the unsafe beam-interception distance (UBID) as the maximum propagation distance where the beam power density exceeds the mentioned exposure limit. Assuming that a beam contains 90 percent of the total radiated power, the beam efficiency in Eq. 1 allows us to compute the UBIDs for different practical configurations as follows:

- UBID = **0.63 m** for radiated power $P = 50 \text{ W}$ if the transmission is **omnidirectional**.
- UBID = **14.4 m** for $P = 10 \text{ W}$ and beamed transmission with an antenna aperture = 3 m^2 .
- UBID = **32 m** for $P = 50 \text{ W}$ and beamed transmission with an antenna aperture = 3 m^2 .

For omnidirectional transmission, the UBID is found to be less than a meter, and hence there is no safety concern in practice. On the contrary, for power beamforming, one can see from the numbers that if a person is within 15 m of the PB, he/she should be careful not to stand between the PB and the mobile for too long. The unsafe distance is higher for larger radiated power or a sharper beam (a larger antenna aperture). The PT distances in Fig. 4 are observed to be smaller than the above UBID values, suggesting potential safety issues for WPC. However, the limits on microwave exposure as set by different authorities are average values over a long time window (0.5 h). This is more than sufficient for an intelligent WPC system to adapt its transmission power (within, e.g., milliseconds) to ensure safety.

In summary, although it is unsafe for a person to be illuminated by a power beam within the PT range for too long, intelligent beam control techniques can be designed to ensure safety in WPC (details are provided later).

IS SWIPT PRACTICAL?

A main motivation for implementing integrated and closed-loop SWIPT (Fig. 3) is that SWIPT can be realized by upgrading existing BSs (including WiFi access points) without changing the network architecture. However, constrained by the short PT ranges, BSs can provide SWIPT only to a small fraction of nearby mobiles. Supporting full network coverage for SWIPT requires the deployment of much denser BSs with extreme cell radii of 10–15 m, which can result in enormous cost and is thus impractical. On the other hand, the decoupled SWIPT design (Fig. 3) provides a more practical solution for network-wise SWIPT coverage due to the low deployment cost of backhaul-less PBs.

To provide an answer for the current question, a relatively practical solution of providing network coverage for SWIPT is its implementa-

tion based on decoupled SWIPT that exploits low-cost PBs for dense deployment.

DOES MPT INTERFERE WITH WIRELESS COMMUNICATIONS?

MPT can interfere with wireless communications in several direct or indirect ways. First, for decoupled SWIPT, the information-carrying signal can be deeply buried in the power-carrying signal if they are simultaneously received by a mobile due to their orders of magnitude difference in power, as mentioned earlier. Therefore, IT and PT must be sufficiently separated in frequency (e.g., a bandwidth should be reserved for the sole purpose of MPT). Second, even given sufficient separation in frequency, the power-carrying signal must be suppressed right at the antenna outputs of the mobile's information receiver rather than in the digital domain. Otherwise, the extremely strong signal can saturate the amplifier and ADC, thereby causing distortion and excessive quantization noise to the simultaneous information-carrying signal. Last, the circuit nonlinearity of microwave generators can cause strong harmonics of the carrier that interfere with wireless communications.

In summary, MPT can interfere with wireless communications in practice unless countermeasures are implemented in the system design.

IS IT POSSIBLE TO POWER MOBILE DEVICES BY RF ENERGY SCAVENGING?

Cellular BSs and WiFi access points are ubiquitous in the urban environment. Their transmissions result in the existence of RF energy in the ambient environment. Their high frequencies (e.g., 2.4 GHz for WiFi) require resonant antennas of relatively small sizes (10–50 cm^2) for RF energy harvesting. Scavenging such energy for powering mobile devices is a green approach since it does not require installation of additional power sources. The amount of power that can be generated by energy scavenging depends on the power density. Some available measurement results are summarized in Table 1 [9, 10]. One can see that the maximum power density is on the order of 1 mW/m^2 . Therefore, a mobile device (e.g., a smartphone) of a typical size smaller than 100 cm^2 can harvest peak power of tens of microwatts with the average on the order of $1 \mu\text{W}$. This gives the following answer. RF energy scavenging is sufficient only for powering small sensors with sporadic activities. Wirelessly powering larger devices has to rely on dedicated PBs.

WIRELESSLY POWERED COMMUNICATIONS: DESIGNS AND CHALLENGES

In this section, we discuss the key design considerations and challenges for WPC.

EFFICIENT AND SAFE WPC

Pilot Signal Design for Retrodirective Beam Control: Power beamforming for MPT typically uses a phase array and a technique called

retrodirective beam control, which automatically steers a beam in the reverse direction of the incident pilot signal sent by the mobile by exploiting channel reciprocity. The simple procedure for retrodirective beam control is as follows:

1. The receiver transmits a pilot signal.
2. The transmitter computes the phase shift of the output of each antenna by comparing it to a local reference signal.
3. The phase shift for each antenna is conjugated and applied to the phase shifter for transmission.

An important aspect of implementing retrodirective beam control for WPC is the design of pilot sequences. They should be designed to initiate MPT for multiple mobiles at the same time. However, mobiles in different cells may transmit non-orthogonal or identical pilot sequences, resulting in pilot contamination, which lays a fundamental limit for the performance of a cellular network equipped with large-scale antenna arrays [11]. In WPC networks, pilot contamination not only degrades the IT performance but also decreases PT efficiency. To be specific, receiving multiple pilot signals can cause the retrodirective beamformer for MPT to auto-reflect multiple beams toward both the intended and unintended mobiles, which reduces the beam efficiency to the former and, more importantly, causes safety threats to people in unintended directions. Tackling pilot contamination continues to be a key challenge in designing WPC networks.

In addition, the power of pilot signals and duty cycle of pilot transmission should be designed to optimize the trade-offs between PT efficiency, training overhead, and mobile energy consumption.

Safety Measures: Creating measures to ensure safe PT is a unique and important aspect of designing WPC systems. The retrodirective beamformer has a safety feature in that it can automatically de-phase a beam when it is intercepted by an object such as a human body. However, this measure does not protect people who are near a target mobile but do not intercept the beam. Thus, additional safety measures are required. For example, guard zones can be created around not only the PBs but also the mobiles using technologies such as microwave life detection [12]. Other technologies such as surveillance cameras, radar tracking, and network localization can be deployed for accurate human detection, thereby further enhancing the safety in WPC.

Efficient and Safe Power Transfer Using Multiple Coordinated Power Beacons: In a WPC network deploying dense PBs, a single mobile can be powered by multiple coordinated PBs based on the idea proposed in [13]. The PBs surrounding the target mobile form multiple incoming power beams from all directions that are coherently combined at the mobile location due to beacon coordination. PT using coordinated beacons is safe for two reasons. First, many incoming beams from different directions enable the detection of human presence at practically any arbitrary location near the target mobile,

Spectrum	Environment	Power density (mW per m ²)
GSM (935–960 MHz)	Inner city, outdoor, on ground	10 ⁻³ – 10 ⁻¹
	Inner city, indoor, close to window	10 ⁻² – 10 ⁻¹
GSM (1805–1880 MHz)	50 m base stations	5 × 10 ⁻³ – 5
	200 m from base stations	10 ⁻³ – 0.5
	500 m from base stations	5 × 10 ⁻⁴ – 5 × 10 ⁻²
WiFi	Within 8 m from access points	10 ⁻³ – 5 × 10 ⁻²
	12 m from access points	10 ⁻⁴ – 5 × 10 ⁻⁴

Table 1. Measured power densities of RF signals in the ambient environment.

thereby overcoming the drawback of standalone PBs. Next, incident power beams from all directions have the combined effect of concentrating transmitted power at the mobile and very low power density at other locations. Moreover, multiple beams improve the chance of finding lines of sight for efficient MPT. As the combined result, MPT using coordinated beacons also improves the PT efficiency.

WPC NETWORK ARCHITECTURE

A WPC network is designed to deliver two types of services, high-speed wireless access and MPT, to mobile devices, and its performance is measured by the coverage of both services. As illustrated in Fig. 5, the WPC network comprises BSs, PBs, and mobile devices. The main role of BSs is to provide network-wide wireless access coverage while also supporting SWIPT to nearby mobiles. Full MPT coverage is achieved by deploying dense PBs for supporting MPT to mobiles. Mobiles can be separated into receiving and transmitting mobiles. It is more challenging to wirelessly power transmitting mobiles since they require additional power for transmission, while both types of mobiles consume circuit power.

For designing a WPC network, one of the first challenges is to understand the required densities of BSs and PBs for providing network coverage for both wireless access and wireless power. Recently, the trade-off between these densities was quantified in [6] by modeling the WPC network using stochastic geometry and under reliability constraints on the network services. This tractable approach can be extended to design WPC networks with more complex architectures such as heterogeneous BSs/PBs. Apart from the fixed deployment of PBs, mobile PBs can be also deployed to support wider coverage with fewer PBs or more efficient MPT by shortening the transfer distances. One challenge there is to design the optimal routing for each mobile PB.

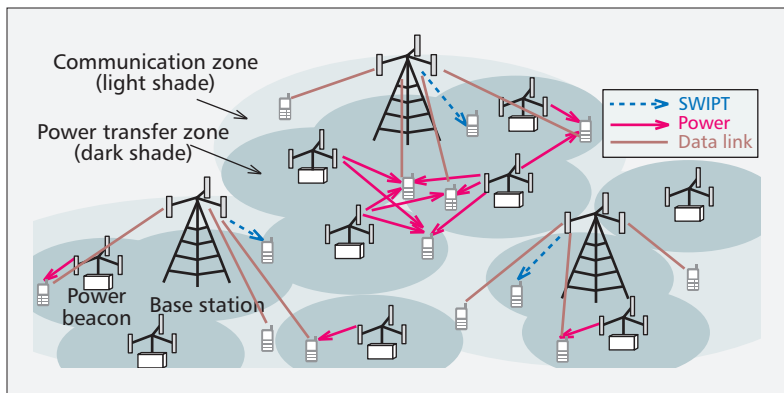


Figure 5. WPC network architecture.

WPC PROTOCOLS AND TECHNIQUES

Compared to traditional wireless networks, the addition of PBs and the interaction between IT and PT enrich the WPC network architecture and the operational modes of network nodes. As a result, traditional communication protocols and techniques must be thoroughly redesigned to enable efficient WPC. Several key challenges are identified as follows, which point to promising research directions:

Cognitive WPC: The principle of cognitive radios can be applied to design cognitive WPC systems to enable seamless integration of PT and IT, and accommodate passive secondary nodes (e.g., [14]). In particular, a cognitive PB can sense the spectrum and choose a proper subset of frequency sub-channels for MPT to avoid interfering with IT and at the same time reduce power spectrum density to meet the safety requirements set by authorities.

Cooperative PB/BS clustering: Grouping PBs/BSs for cooperation enhances the PT efficiency (as discussed earlier) besides mitigating interference in IT. However, PB/BS clustering is much more complex than that for traditional multi-cell cooperation due to many new factors for consideration, including multi-user beam efficiencies, BS modes (SWIPT or IT only), and wireless signaling overhead between backhaul-less PBs.

Relay-assisted WPC: In WPC systems with relatively sparse BSs/PBs, mobiles far away from them receive double penalties: lower PT efficiencies but larger power required for uplink transmission. Thus, it is critical to address the issue of fairness in designing such systems. An alternative cost-effective approach, apart from deploying dense PBs, is to motivate mobiles to cooperate by relaying information/power for each other or deploying dedicated passive relay stations (e.g., [15]). This opens many new research issues on relay-assisted WPC ranging from signal processing methods, scheduling, and medium access control protocols to network performance.

Joint scheduling and resource allocation of PT and IT: For WPC networks of low-complexity and low-power devices, the communication protocols are often simple and predetermined. In contrast, for scenarios where the mobiles are able to handle complex algorithms, the optimal solution is to design and deploy intelligent com-

munication and resource allocation algorithms for mobiles, PBs, and BSs that are adapted to the dynamic states of mobile energy storage, data queues, channels, and beam efficiencies.

TOWARD TRULY MOBILE COMMUNICATIONS

Cutting the last wires of mobile devices will endow them with long desired immortality, which will bring users convenience, strengthen the reliability of widespread mobile services, and create a huge range of market opportunities. This task is far more than straightforward implementation of the MPT technology, but requires seamless integration between information and power transfers. As a result, many new research challenges arise, including designing network architectures for enabling SWIPT, achieving highly efficient and safe MPT to mobile devices, and revamping traditional communication techniques, such as cooperation, cognitive radios, and adaptive transceivers, to integrate power transfer into communication networks. This leads to a newly emerging area called wirelessly powered communications. It is through advancements in this area and relevant areas such as energy scavenging, batteries, and low-power electronics that the tens of billions of devices to be deployed in the coming decade will be free of the last wires and attain true mobility.

ACKNOWLEDGMENT

We thank Drs. Rahul Vaze and Salman Durrani for their comments, which have significantly improved the presentation of this article.

REFERENCES

- [1] N. Shinohara, *Wireless Power Transfer Via Radiowaves*, Wiley, 2014.
- [2] S. Y. Hui, "Planar Wireless Charging Technology for Portable Electronic Products and Qi," *Proc. IEEE*, vol. 101, no. 6, 2013, pp. 1290–1301.
- [3] J. G. Andrews et al., "What will 5G Be?," *IEEE JSAC*, vol. 32, no. 6, 2014, pp. 1065–82.
- [4] R. Zhang, and C. Ho, "MIMO Broadcasting for Simultaneous Wireless Information and Power Transfer," *IEEE Trans. Wireless Commun.*, vol. 12, no. 5, May 2013, pp. 1989–2001.
- [5] H. Ju and R. Zhang, "Throughput Maximization in Wireless Powered Communication Networks," *IEEE Trans. Commun.*, vol. 13, no. 1, 2014, pp. 418–28.
- [6] K. Huang, and V. K. N. Lau, "Enabling Wireless Power Transfer in Cellular Networks: Architecture, Modelling and Deployment," *IEEE Trans. Wireless Commun.*, vol. 13, no. 2, Feb. 2014, pp. 902–12.
- [7] B. Bodson, "COTA System Transmits Power Wirelessly at up to 30 Feet," *Gizmag*, Sept. 29, 2013, <http://www.gizmag.com>.
- [8] K. R. Foster, "A World Awash with Wireless Devices: Radio-Frequency Exposure Issues," *IEEE Microwave Mag.*, vol. 14, no. 2, 2013, pp. 73–84.
- [9] U. Bergqvist et al., "Mobile Telecommunication Base Stations: Exposure to Electromagnetic Fields," rep. of a short-term mission within COST-244bis, 2000.
- [10] H. J. Visser, A. C. Reniers, and J. A. Theeuwes, "Ambient RF Energy Scavenging: GSM and WLAN Power Density Measurements," *Proc. Euro. Microwave Conf.*, Oct. 27–31, 2008.
- [11] F. Rusek et al., "Scaling Up MIMO: Opportunities and Challenges with Very Large Arrays," *IEEE Signal Proc. Mag.*, vol. 30, no. 1, 2013, pp. 40–60.
- [12] Y. Chen et al., "Microwave Life-Detection Systems for Searching Human Subjects Under Earthquake Rubble or Behind Barrier," *IEEE Trans. Biomedical Eng.*, vol. 47, no. 1, 2000, pp. 105–14.

-
- [13] H. Zhai, H. K. Pan, and M. Lu, "A Practical Wireless Charging System Based on Ultra-Wideband Retro-Reflective Beamforming," *Proc. IEEE Antennas and Propagation Soc. Int'l. Symp.*, July 11–17, 2010.
- [14] S. Lee, R. Zhang, and K. Huang, "Opportunistic Wireless Energy Harvesting in Cognitive Radio Networks," *IEEE Trans. Wireless Commun.*, vol. 12, no. 9, Sept. 2013, pp. 4788–99.
- [15] A. A. Nasir *et al.*, "Relaying Protocols for Wireless Energy Harvesting and Information Processing," *IEEE Trans. Wireless Commun.*, vol. 12, no. 7, 2013, pp. 3622–36.

BIOGRAPHIES

KAIBIN HUANG [S'05, M'08, SM'13] (huangkb@eee.hku.hk) received his Ph.D. degree from the University of Texas at Austin in electrical engineering. Since January 2014, he has

been an assistant professor in the Department of EEE at the University of Hong Kong. He is a Guest Editor for *IEEE JSAC*, and an Editor for *IEEE Transactions on Wireless Communications* and *IEEE Wireless Communications Letters*. He received a Best Paper Award from IEEE GLOBECOM 2006. His research interests focus on the analysis and design of wireless networks using stochastic geometry and multi-antenna techniques.

XIANGYUN ZHOU (xiangyun.zhou@anu.edu.au) is a senior lecturer at the Australian National University (ANU). He received his Ph.D. degree in telecommunications engineering from ANU in 2010. His research interests are in the fields of communication theory and wireless networks. He serves on the Editorial Boards of *IEEE Transactions on Wireless Communications* and *IEEE Communications Letters*. He was a recipient of the Best Paper Award at IEEE ICC 2011.