

Segmental duplications and gene conversion: Human luteinizing hormone/chorionic gonadotropin β gene cluster

Pille Hallast, Liina Nagiraja, Tõnu Margus, and Maris Laan¹

Institute of Molecular and Cell Biology, University of Tartu, Riia 23, 51010 Tartu, Estonia

Segmental duplicons (>1 kb) of high sequence similarity (>90%) covering >5% of the human genome are characterized by complex sequence variation. Apart from a few well-characterized regions (*MHC*, β -*globin*), the diversity and linkage disequilibrium (LD) patterns of duplicons and the role of gene conversion in shaping them have been poorly studied. To shed light on these issues, we have re-sequenced the human Luteinizing Hormone/Chorionic Gonadotropin β (*LHB/CGB*) cluster (19q13.32) of three population samples (Estonians, Mandenka, and Han). The *LHB/CGB* cluster consists of seven duplicated genes critical in human reproduction. In the *LHB/CGB* region, high sequence diversity, concentration of gene-conversion acceptor sites, and strong LD colocalize with peripheral genes, whereas central loci are characterized by lower variation, gene-conversion donor activity, and breakdown of LD between close markers. The data highlight an important role of gene conversion in spreading polymorphisms among duplicon copies and generating LD around them. The directionality of gene-conversion events seems to be determined by the localization of a predicted recombination “hotspot” and “warm spot” in the vicinity of the most active acceptor genes at the periphery of the cluster. The data suggest that enriched crossover activity in direct and inverted segmental repeats is in accordance with the formation of palindromic secondary structures promoting double-strand breaks rather than fixed DNA sequence motifs. Also, this first detailed coverage of sequence diversity and structure of the *LHB/CGB* gene cluster will pave the way for studying the identified polymorphisms as well as potential genomic rearrangements in association with an individual’s reproductive success.

[Supplemental material is available online at www.genome.org. The sequence data from this study have been submitted to dbSNP under accession nos. *LHB* ss48399882–ss48399908, *CGB* ss48399909–ss48399943, *CGB1* ss48399944–ss48399963, *CGB2* ss48399964–ss48399997, *CGB5* ss48399998–ss48400022, *CGB7* ss48400023–ss48400071, *CGB8* ss48399818–ss48399832, *CGB5–CGB8* intergenic region ss48399833–ss48399849, *CGB8–CGB5* intergenic region ss48399850–ss48399881. The following individuals kindly provided reagents, samples, or unpublished information as indicated in the paper: H. Cann.]

Segmental duplications represent direct and/or inverted low-copy repeats consisting of arrayed genes/pseudogenes and other repeated chromosomal segments. For human, the genome-wide frequency of segmental duplications (>1 kb, >90% identity) has been estimated, by computational analysis, at 5%–10% (Bailey et al. 2002). It has been suggested that these regions may underlie a greater amount of human phenotypic variation and disease than was previously recognized (Stankiewicz and Lupski 2002; Iafrate et al. 2004; Sebat et al. 2004). However, apart from a couple of well-characterized loci—*MHC* (Horton et al. 2004), β -*globin* (Papadakis and Patrinos 1999)—there is little knowledge about the nature and driving forces of sequence variability and linkage disequilibrium (LD) structure in duplicons. Frequently, it appears that the SNPs in databases mapped in the segmental duplications are, in fact, variants in paralogous sequences (Estivill et al. 2002). Fredman et al. (2004) defined a new type of polymorphism—multisite variation (MSV)—representing the sum of the signals from many individual duplicon copies that vary in sequence content because of duplication, deletion, or gene conversion, and attributed 28% of the SNPs in duplicons to MSVs. Meiotic gene

conversion, favored by high sequence homology between tandem-arrayed or inverted DNA segments, leads to concerted evolution of duplicons (Hurles 2001; Bettencourt and Feder 2002) and the spread of mutations (Tusié-Luna and White 1995; Papadakis and Patrinos 1999; Boocock et al. 2003). Highly similar DNA segments also favor nonallelic homologous crossing-over coupled with rearrangements, leading to genomic disorders (Stankiewicz and Lupski 2002; Shaw and Lupski 2004).

Interestingly, there is a nonrandom distribution of the functions of human segmentally duplicated genes within the proteome (Bailey et al. 2002). Several genes associated with female or male reproduction have been shown to be duplicated during primate evolution as well as evolving under positive Darwinian selection (Wyckoff et al. 2000; Bailey et al. 2002; Nahon 2003). One of the gene families that has evolved in the primate lineage is the gonadotropin hormone β -subunit (*GtHB*) family, represented in human by seven duplicated Luteinizing Hormone β (*LHB*)/Chorionic Gonadotropin β (*CGB*) genes located at 19q13.32 and two single-copy genes, *FSHB* at 11p13–p14 and *TSHB* at 1p13.2. Consistent with an essential role in reproduction, all of the few described nonsynonymous mutations lead to either infertility or reduced gonadal function (Themmen and Huhtaniemi 2000). The ancestral *LHB* gene has duplicated several times during primate evolution, giving rise to a new gene, *CGB*, differing from *LHB* both in the time (pregnancy vs. adult lifetime) and tissue

¹Corresponding author.

E-mail maris@ebc.ee; fax +372-7420286.

Article and publication are at <http://www.genome.org/cgi/doi/10.1101/gr.4270505>. Freely available online through the *Genome Research* Immediate Open Access option.

(placenta vs. pituitary) of expression as well as mRNA stability (Policastro et al. 1986; Maston and Ruvolo 2002).

In order to study fine-scale sequence variation and LD structure in duplicated regions, we have applied the *LHB/CGB* gene cluster as a model and re-sequenced population samples from three continents. We explore the following questions: (1) What is the role of gene conversion in shaping the diversity and LD patterns in duplicons? (2) What potentially determines the distribution of crossovers and gene conversion in duplicated regions?

In addition, as an important contribution to human reproductive genetics, this is the first survey of sequence variation in human *LHB/CGB* genes, essential for successful fertilization and pregnancy. The detailed knowledge of the structure and diversity of the *LHB/CGB* gene cluster paves the way for studying an individual's general or reduced (e.g., susceptibility to spontaneous abortions) reproductive success in association with identified sequence variants of *LHB/CGB* genes as well as potential genomic rearrangement patterns (insertions, deletions, duplications, etc.) between homologous regions within the cluster.

Results

Fine-scale structure and features of the human *LHB/CGB* cluster

Although the exact order of duplication events is still to be determined, the fine-scale structure of the human *LHB/CGB* cluster in Figure 1A provides hints for putative past evolutionary events. Previous reports have indicated the duplication of the ancestral *LHB* gene in the common ancestor of anthropoid primates (Poli-

castro et al 1986; Maston and Ruvolo 2002). Our detailed analysis of the structure of the human *LHB/CGB* cluster revealed that in addition to *LHB*, the initial duplication apparently involved a part of the *neutrophin 5* (*NTF5*) gene (3'-UTR, exon 3, and intron 2) and the *LHB-NTF5* intergenic region. The next rounds of duplication included only *LHB/CGB* genes and the duplicated segment of *NTF5*. *LHB* gave rise to six human *CGB* genes (*CGB*, *CGB2*, *CGB1*, *CGB5*, *CGB7*, *CGB8*), and exon 3 of *NTF5* to five *NTF6* pseudogenes (*psNTF6A*, *6G*, *6B*, *6G'*, *6A'*). An *Alu*-rich fragment, containing also recombination and a gene-conversion-associated χ -site (GCTGGTGG) (Smith 1988), spread from intron 2 of *NTF5* to intergenic regions of *LHB/CGB* genes (current *Alu*-sequence content from 10% up to 56%). Both *Alu*-sequences and the presence of a χ -site could have been stimulators of direct and inverted duplications within the cluster (Bailey et al. 2003). An insertion upstream of consensus exon 1 distinguishes *CGB1* and *CGB2*, providing an alternative exon 1 as well as a new potential promoter segment (Figs. 1A, 2A; Supplemental Fig. S1). BLAST analysis indicated the possible origin of this inserted fragment in noncoding regions of Chromosomes 2, 3, or 19.

Among the genes coding the β subunit of hCG hormone (*CGB*, *CGB5*, *CGB7*, and *CGB8*), there is 97%–99% DNA sequence identity, whereas their identity with the functionally divergent *LHB* gene is 92%–93% and with the *CGB1* and *CGB2* genes, 85% (Supplemental Fig. S1). Despite primary DNA sequence homology with the rest of the genes, *CGB1* and *CGB2* have possibly diverged in function (although a protein is still uncharacterized) through the use of an alternative exon 1 as well as a shifted open reading frame (Fig. 2A; Supplemental Figs. S1, S2). Whereas among the hCG hormone β -subunit-coding genes the protein identity is 98%–100%, and to *LH β* 85%, there is no significant amino acid sequence similarity between hCG β coded by *CGB*, *CGB5*, *CGB7*, *CGB8*, and *LH β* on the one side, and the predicted protein for *CGB1* and *CGB2* on the other side (Supplemental Fig. S2). In addition to the high DNA sequence homology among *LHB/CGB* genes, also the intergenic regions within the cluster reveal pairwise sequence similarity from 81% up to 97% (Fig. 1A). The whole genomic region is extremely high in G+C content ($\geq 55\%$), with individual genes exceeding 60% (Table 1).

Sequence diversity of *LHB*, *CGB*, *CGB2*, *CGB1*, *CGB5*, and *CGB7* genes

We re-sequenced six of the seven *LHB/CGB* genes (in total 10,009 kb) in population samples from three continents: Europe (Estonians, $n = 47$), Africa (Mandenka, $n = 23$), and Asia (Chinese Han, $n = 25$) (Supplemental Table S1). In total we identified 191 SNPs: 62 (32%) were spread in three continents, 21 (11%) were shared by two populations, and 108 (57%) were population-specific SNPs (Table 1; Supplemental Table S2). Consistent with other genomic regions (for review, see Tishkoff and Verrelli 2003; Crawford et al. 2004), African chromosomes were characterized by the highest diversity as well as by a high fraction of private SNPs ($n = 62$) (Table 1). Only a small fraction of these SNPs are currently represented in the dbSNP database (<http://www.ncbi.nlm.nih.gov/SNP/index.html>). Compared to a data set of 74 genes (Crawford et al. 2004), characterized by a mean nucleotide diversity parameter $\pi = 0.0010$ for African Americans and $\pi = 0.0008$ for European Americans, *LHB/CGB* genes exhibit high diversity. Interestingly, there is a clear decrease in diversity levels toward the center of the cluster: the peripheral loci *CGB7* (mean $\pi = 0.0055$), *LHB* (0.0038), and *CGB* (0.0040) being highly

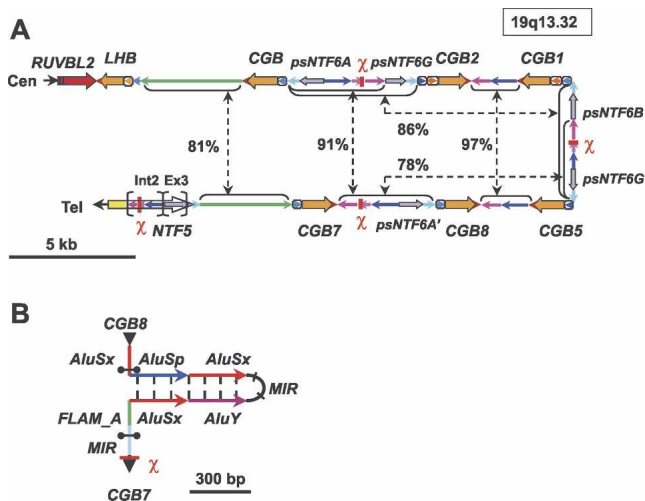


Figure 1. (A) Structure of the human *LHB/CGB* gene cluster. Identical color codes refer to highly homologous DNA sequences within the cluster. Genes (*RUVBL2*, *LHB/CGBs*, *NTF5*) are depicted as wide arrows in the direction of transcription with promoters as boxed arrows 5' of the genes. Intergenic areas are marked as narrow lines, indicating also the direction of a segment, and broken arrows unite intergenic regions that share $>75\%$ of sequence identity. χ denotes the localization of consensus *Escherichia coli* χ -sequence (GCTGGTGG) (Smith 1988) associated with crossing-over and gene-conversion activity. Int2 and Ex3 refer to intron 2 and exon 3 in the *NTF5* gene; the former is the source of intergenic regions between *CGB* genes, and the latter has given rise to *NTF6* pseudogenes. (B) Prediction of single-stranded DNA secondary structure for the estimated recombination hotspot (bordered by black brackets) between *CGB8* and *CGB7*. The hotspot is flanked by double inverted *Alu*-sequences forming the stem (625 bp) of the palindrome, and its center falls within the loop (222 bp). (*MIR*) Mammalian-wide interspersed repeat; (*FLAM_A*) *Alu*-element-like repeat.

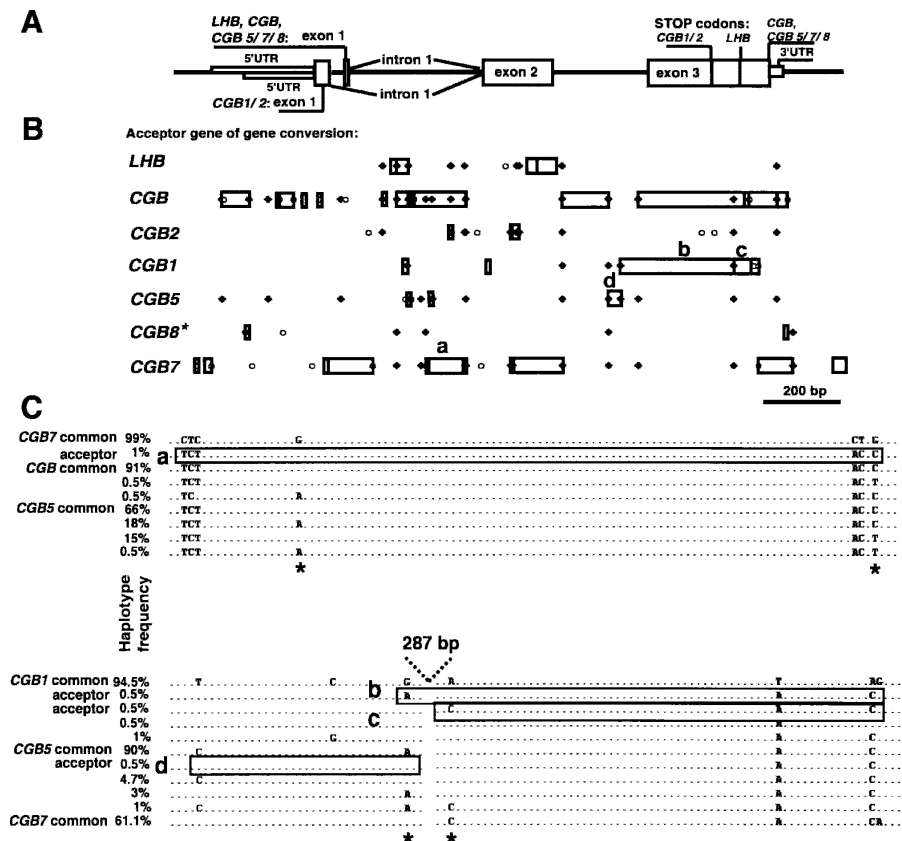


Figure 2. (A) Consensus exon–intron structure of *LHB*/*CGB* genes presented in parallel with (B) the summary distribution of gene-conversion acceptor sites and multisite variants (MSVs) within *LHB*/*CGB* genes. A minimum gene-conversion site (□) was defined as a segment within an acceptor gene including ≥ 2 associated SNPs, for which a potential donor gene could be identified (detailed information in Table 3). Typically, for each gene-conversion site, several converted tracts could be determined (overlapping □). MSV1 (○) is defined as an SNP in one of the duplicate genes, which is also represented as a paralogous sequence variant among homologous genes (Fredman et al. 2004). MSV2 (◆) is an SNP that is present as a polymorphism at the identical sequence position in several duplicated genes. Several gene-conversion sites overlap with MSVs, indicating their origin from a gene-conversion event, rather than parallel mutation. Lettering (a, b, c, d) refers to gene-conversion sites, which are described in detail in C. *CGB8** data are from the analysis of 11 Estonian individuals; the analysis of the rest of the genes is based on a combined sample set of 95 Estonian ($n = 47$), Han ($n = 25$), and Mandenka ($n = 23$) individuals. (C) Examples of gene-conversion segments (boxed sequences a–d) and their potential donor genes. Haplotype frequencies of each segment variant are derived from the combined sample ($n = 95$) of Estonians, Mandenka, and Han Chinese. Segment a within *CGB7* (frequency 1%) originates most probably from a common variant of *CGB* (91%) or *CGB5* (66%). Segments b (0.5%) and c (0.5%) within *CGB1* were derived by gene conversion from common variants of *CGB5* (90%) and *CGB7* (61.1%), respectively. Reciprocally, a common variant of *CGB1* (94.5%) or *CGB7* (61.1%) is the most apparent donor of segment d to *CGB5* (0.5%). "Shared SNPs" or MSV2 between gene pairs (*) are colocalized with gene-conversion sites.

diverse compared to the central loci *CGB2* (0.0015), *CGB1* (0.0012), and *CGB5* (0.0017) (Table 1). Positive Tajima *D*-values (Table 1) point out the excess of high-frequency SNPs for *CGB7*, *CGB*, and *LHB*. In contrast, for *CGB1*, *CGB2*, and *CGB5*, Tajima *D*-values are mostly negative, and the frequency distributions tend to be skewed toward rare variants. However, as theoretical simulations have shown that statistical tests of neutrality based on the standard coalescent theory for a single-copy gene may not be appropriate for duplicated genes (Innan 2003), the Tajima test results should be interpreted with caution.

A new type of polymorphism—multisite variation (MSV) (Fredman et al. 2004)—has been described for SNPs in duplicons. Of the SNPs determined in individual *LHB*/*CGB* genes, 35%–77%

were actually MSVs (Table 1; Supplemental Table S2)—SNPs that are also represented as paralogous sequence variants (PSVs) among duplicons (MSV1) or "shared" SNPs located at the same position in several duplicated genes (MSV2). The spread of MSV2 ranged from only a pair of genes "sharing SNPs" up to polymorphisms mapping at the same position for six genes (Fig. 2B; Supplemental Table S2). MSVs and high sequence diversity are explainable by gene conversion spreading SNPs among paralogous genes. An alternative scenario, parallel de novo mutations in several gene copies, is less likely but cannot be ruled out.

For *LHB* and four hCG β -subunit coding genes, only a few nonsynonymous mutations were identified: two signal peptide (*LHB*) and eight mature peptide variants (two for *LHB*, one for *CGB5*, four for *CGB7*, and one shared by *CGB*, *CGB5*, and *CGB7*) (Supplemental Table S3). Two of the variants overlap with the previously characterized mutations: (1) Ala-3Thr in the signal peptide of LH β (Jiang et al. 2002) identified with a low frequency (2.2%) in Mandenka; and (2) a worldwide-spread Trp8Arg variant (Estonians 12%, Mandenka 7%, and Han 4%) in LH β mature protein (Pettersson et al. 1994; Nilsson et al. 1997).

Traces of gene conversion among *LHB*/*CGB* genes

When polymorphism data are obtained from duplicate loci, gene conversion between copies is visually detectable if polymorphisms are shared between the loci. We aligned complete nucleotide sequence variants for all possible gene pairs to identify clustered polymorphism motifs potentially generated by gene conversion between duplicate genes (Fig. 2B,C; Table 2). Altogether 27 gene-conversion sites were identified

(each might be a target for $1 + n$ gene-conversion events) with a minimum observed tract of 2–387 bp (mean 57 bp, median 23 bp) and maximum extension up to 796 bp (mean and median for maximum tract length across sites 229 and 138 bp, respectively). The highest number of acceptor sites was identified for *CGB* (eight sites) and *CGB7* (seven sites); fewer converted segments were determined within *LHB* (two sites) and *CGB2* (two sites), *CGB1* (three sites) and *CGB5* (three sites) (Fig. 2B). For some acceptor sites, there were multiple potential donor genes; for other sites, the donor gene could be unequivocally determined (Table 2; Fig. 2C). Gene conversion events involving the 5'-UTR up to +60 were identified only between *CGB*, *CGB5*, and *CGB7*, all coding the hCG β -subunit (Table 2). In the case of the functionally

Table 1. Summary statistics of sequence variation data for individual *LHB/CGB* genes and predicted hotspot region

Analyzed region	Length (bp)		Segregating sites (S)				MSV ^d			Haplotypes ^h						
			GC %	P ^a	≥10% MAF ^c	Singletons	Type 1	Type 2	%	SNPs in dbSNP	π ^e	θ ^f	D ^g	All No.	MAF ≥10% No.	Carriers (%)
Individual genes																
<i>LHB</i>	1541	63	E	20	15	2	0	7	35.0	12	0.00371	0.00254	1.35	14	2	65.9
			H	17	10	1	0	6	35.3	12	0.00348	0.00246	1.28	7	2	84
			M	20	10	5	1	7	40.0	11	0.00313	0.00295	0.20	16	2	50
			All	27		8	1	10	55.0	12	0.00375	0.00301				
<i>CGB</i>	1543	64	E	18	14	2	7		72.2	2	0.00406	0.00228	2.24*	15	2	74.5
			H	20	16	2	8	8	80.0	2	0.00530	0.00304	2.39*	13	2	72
			M	28	23	3	10	13	82.1	5	0.00666	0.00413	2.06*	14	3	60.8
			All	35		6	11	16	77.1	5	0.00545	0.00401				
<i>CGB2</i>	1521	63	E	8	4	2	2	3	62.5	2	0.00115	0.00103	0.29	10	4	92.6
			H	12	3	6	2	6	66.7	2	0.00101	0.00176	-1.26	8	3	80
			M	24	4	10	2	9	45.8	2	0.00237	0.00359	-1.12	12	2	56.5
			All	34		15	5	13	52.9	2	0.00145	0.00384				
<i>CGB1</i>	1510	63	E	5	4	0	0	1	20.0	1	0.00095	0.00065	0.99	6	3	82.9
			H	12	4	5	2	1	25.0	1	0.00119	0.00177	-0.98	8	3	78
			M	14	5	3	2	2	28.6	1	0.00157	0.00226	-0.95	9	3	75.9
			All	20		5	2	5	35.0	1	0.00124	0.00239				
<i>CGB5</i>	1661	64	E	13	7	2	0	8	61.5	2	0.00155	0.00153	0.03	15	2	73.4
			H	13	6	5	1	5	46.2	2	0.00117	0.00175	-0.99	9	2	78
			M	13	10	1	2	8	76.9	2	0.00213	0.00178	0.59	11	4	78.3
			All	25		7	2	13	60.0	2	0.00165	0.00259				
<i>CGB7</i>	2233	63	E	30	27	1	6	6	40.0	4	0.00552	0.00271	3.18**	31	2	47.8
			H	29	27	0	4	10	48.3	4	0.00484	0.00300	2.04*	16	2	52
			M	41	25	1	8	13	51.2	5	0.00429	0.00418	0.09	21	2	45.6
			All	50		1	9	14	46.0	5	0.00550	0.00385				
Predicted recombination hotspot region ^b																
All region	8338	56	E	64	42	14				0.00212	0.00196	0.32				
Intergenic <i>CGB5/8</i>	1879	52	E	17	12	2				0.00257	0.00219	0.61				
<i>CGB8</i>	2156	62	E	15	6	7	1	5	42.9	6	0.00152	0.00178	-0.54	10	3	50
Intergenic <i>CGB8/7</i>	4303	54	E	32	24	5				0.00227	0.00208	0.35	19			

^a(E) Estonians ($n=47$); (H) Han ($n=25$); (M) Mandenka ($n=23$).

^bData for *CGB8* are from 11 Estonian individuals from the resequencing of potential recombination hotspot (see text for explanation).

^c(MAF) Minor allele frequency.

^dMultisite variation (Fredman et al. 2004): (MSV1) SNPs that are also represented as paralogous sequence variants (PSVs) among the duplicons. (MSV2) SNPs present in >1 duplicated gene.

^eEstimate of nucleotide diversity per site from average pairwise difference among individuals.

^fEstimate of nucleotide diversity per site from number of segregating sites (S).

^gSignificance level of Tajima's D statistics: (**) $p < 0.01$; (*) $p < 0.05$.

^hHaplotype distribution is the estimate by PHASE algorithm (Stephens et al. 2001).

divergent *LHB* (specificity defined by exon 3) and *CGB1/2* (different ORF), detectable acceptor sites are clustered mostly in the middle of the gene sequence. Of 29 "shared" polymorphic sites or MSV2, several were identified as part of minimum gene-conversion tracts, supporting the hypothesis that they were derived from gene-conversion events rather than being just highly mutable positions (Fig. 2B,C).

Alternatively, Sawyer's gene-conversion detection algorithm (Sawyer 1989), implemented using the GENECONV computer program, was used. This algorithm does not rely on the sample's polymorphism data, but detects whether individual pairs of sequences share unusually long stretches of similarity given their overall similarity. The analysis predicts the fragments likely to have been converted between gene pairs, but the results do not give information about the direction of the gene-conversion events. Altogether, the GENECONV algorithm estimated 398 conversion events between all pairs of genes in the *LHB/CGB* cluster (Supplemental Table S4). No preference was detected in the involvement of a gene pair respective to their mutual orientation (either direct or inverted duplicates). The length of esti-

mated gene-conversion tracts ranged from 35 to 1055 bp (mean 313 bp, median 291 bp), somewhat longer than the estimates based on shared polymorphisms. The difference could arise, as the GENECONV algorithm is also able to detect gene-conversion events that did not lead to "shared" SNPs. The analysis highlighted *CGB2* as the most active participant (either donor or acceptor) in gene-conversion events, in contrast to the least involved functionally divergent *LHB* (Supplemental Table S4). The maximum number of estimated between-loci events reached 49 and 44 for *CGB2-CGB* and *CGB2-CGB7* gene pairs, respectively. An association was detected between the number of conversion events estimated by the GENECONV algorithm and the number of shared SNPs (MSV2) between gene pairs (Pearson's correlation coefficient 0.44, $p = 0.044$) (Supplemental Fig. S3).

Estimation of population crossing-over and linkage disequilibrium parameters

Two approaches were used to characterize the decay of linkage disequilibrium between SNPs across the *LHB/CGB* region. First,

Table 2. Minimal gene conversion (GC) tracts identified within *LHB/CGB* genes and potential donor genes of a converted segment

Acceptor GC site		Potential donor gene						
Gene	No.	<i>LHB</i>	<i>CGB</i>	<i>CGB2</i>	<i>CGB1</i>	<i>CGB5</i>	<i>CGB7</i>	<i>CGB8^a</i>
<i>LHB</i>	1		+122; +125 +122; +154	+122; +125	+122; +125	+122; +125	+122; +125	+122; +125
	2		+466; +546 +484; +546	+466; +546 +484; +546	+466; +546 +484; +546	+466; +546 +484; +546	+466; +546 +484; +546	+466; +546 +484; +546
<i>CGB</i>	1							-328; -268
	2					-185; -180 -185; -144	-185; -180	-185; -180
	3					-111; -109		-111; -109
	4						-77; -76	-77; -76
	5			+88; +101	+88; +101	+88; +101	+88; +101	+88; +101
	6	+126; +168 +163; +168		+155; +168 +163; +168			+155; +168 +163; +168	+155; +168 +163; +168
	7							+163; +168 +554; +674
	8				+751; +1137 +1026; +1038	+751; +1137	+1026; +1137	+751; +1026 +1026; +1038 +1038; +1109
<i>CGB2</i>	1	+353; +354	+353; +354		+353; +354	+353; +354	+353; +354	+353; +354
	2	+507; +531					+507; +531	
<i>CGB1</i>	1							+219; +241
	2	+452; +458	+452; +458	+452; +458		+452; +458	+452; +458	+452; +458
	3			+1136; +1150		+794; +1150 +1136; +1150	+1087; +1150 +1136; +1150	+1136; +1150
<i>CGB5</i>	1	No GC tracts identified			+151; +160 +179; +186			+179; +186
	2				+673; +704		+673; +704	
	3		+673; +704	+673; +704	+673; +704			
<i>CGB7</i>	1		-394; -396					-394; -396
	2							-379; -357
	3		-58; -46			-58; -46 -58; +60		-58; -46
	4	+198; +200 +298; +301	+198; +301	+198; +200 +298; +301	+198; +200	+198; +200 +198; +301		+298; +299
	5	+422; +423	+422; +423 +417; +553	+417; +423 +417; +553	+417; +423	+417; +423		+422; +423
	6		+1061; +1151					
	7			+1241; +1278				
<i>CGB8^a</i>	1	No GC tracts identified	No GC tracts identified			No GC tracts identified	-268; -265	
	2			+1146; +1147	+1146; +1147			

Exact position of GC site (beginning; end) is defined by its localization in acceptor gene relative to ATG. Distribution of GC acceptor sites relative to exon-intron structure of the genes is presented in Figure 2.

^a*CGB8* data are from the analysis of 11 Estonian individuals; the analysis of the rest of the genes is based on the combined sample set of 95 Estonian, Han, and Mandenka individuals.

we quantified the levels of LD by estimating the population crossing-over parameter $\rho/bp = 4N_e c_{bp}$, where N_e is the effective population size and c_{bp} is the crossing-over rate per generation between adjacent nucleotide positions. The parameter ρ is a key determinant of LD patterns, with the strength of LD decreasing when ρ increases. We used two alternative algorithms: (1) the Li and Stephens (2003) "product of approximate conditionals" (PAC) likelihood method based on simultaneous analysis of all loci; and (2) Hudson's (2001) "composite likelihood" (CL) method based on multiplying together the likelihoods for every pair of sites. The first method has the advantage of allowing variation of recombination rate across the region of interest (Li and Stephens 2003). The extension of the second approach has the advantage of allowing simultaneous estimation of ρ_{CL} and f , where f is the ratio of gene-conversion to crossing-over events (Frisse et al. 2001). The average recombination rate calculated across the studied region for SNPs with MAF > 10% (Estonians, $\rho_{PAC} = 4.43 \times 10^{-4}$, $\rho_{CL} = 6.13-7.40 \times 10^{-4}$; Han, $\rho_{PAC} = 2.34 \times 10^{-4}$, $\rho_{CL} = 6.42-7.06 \times 10^{-4}$; Mandenka, $\rho_{PAC} = 8.93 \times 10^{-4}$, $\rho_{CL} = 1.011-1.492 \times 10^{-3}$) falls in the range published for a large set of 74 genes (Table 3A; Crawford et al.

2004). Higher ρ values for Africans are consistent with the idea that African populations maintained a larger long-term effective population size N_e than did non-African ones (Frisse et al. 2001). When two ρ estimates are compared, ρ_{CL} provides generally higher estimates than ρ_{PAC} . Also, ρ_{CL} based on two-locus sampling distribution seems to be somewhat less influenced by demography (closer estimates for different population samples) and less biased by SNP frequencies (less variation in estimates using all or only common, >10% MAF, SNPs) than multiloci-based ρ_{PAC} (Table 3A). When gene conversion was incorporated into the model, ρ_{CL} estimates for the *LHB/CGB* region decreased, but were independent of the length of assumed conversion tract (L) for any given sample. In contrast, the estimated ratio of gene-conversion to crossing-over rate depended inversely on the conversion tract length: As the length of the tract decreases, the estimated rate of gene conversion increases. Including only common SNPs, the maximum likelihood estimate for $L = 30$ bp ranged from 6 (Han) to 16 (Mandenka); whereas for $L = 500$ bp, f is 0.5 (Han) to 1.5 (Mandenka). This difference in estimates of f could result from the fact that effects of high gene-conversion rates with small tracts are similar to the effects of lower conver-

Table 3. Estimation of population crossing-over and gene conversion rates

	A. Whole <i>LHB/CGB</i> region						B. Recombination hotspot		
	Estonians		Han		Mandenka		Estonians		
	All SNPs	$\geq 10\%$ MAF ^d	All SNPs	$\geq 10\%$ MAF	All SNPs	$\geq 10\%$ MAF	All SNPs	$> 10\%$ MAF	
Maximum PAC likelihood estimates (Li and Stephens 2003)									
ρ^a ($\times 10^4$)	4.16	4.43	2.91	2.34	17.00	8.93	43.21	35.91	
Composite likelihood estimates (Frisse et al. 2001; Hudson 2001)									
$L = 0^b$	ρ ($\times 10^4$)	8.02	7.40	7.21	7.06	17.63	14.92	93.42	68.05
$L = 30$	ρ ($\times 10^4$)	6.38	6.25	6.60	6.53	12.29	10.38	68.05	56.17
	f^c	14	12.5	6	6	13	16	3	2
$L = 50$	ρ ($\times 10^4$)	6.36	6.21	6.55	6.53	12.29	10.32	67.36	54.63
	f	9	8	4	3.5	8	10	2	1.5
$L = 100$	ρ ($\times 10^4$)	6.41	6.23	6.55	6.49	12.12	10.17	57.96	52.83
	f	4.5	4	2	2	4.5	5.5	2	1
$L = 250$	ρ ($\times 10^4$)	6.41	6.13	6.82	6.68	12.18	10.11	35.96	34.58
	f	2	0.5	0.5	2.5	2	2.5	3	2
$L = 500$	ρ ($\times 10^4$)	6.49	6.20	6.49	6.42	11.80	10.25	16.11	17.74
	f	1	1	0.5	0.5	1	1.5	6.5	4

^aThe population crossing-over rate per base pair, $\rho = 4N_e c_{bp}$.

^b L is the length of the gene conversion tract.

^c $f = g/c$ is the ratio of gene conversion to the crossing-over rate.

^dSNPs with minor allele frequency $\geq 10\%$.

sion rates with longer tracts. Recently, Ptak et al. (2004a) reported similar estimates of f for $L = 500$ (African-Americans, $f \sim 1$; CEPH, $f \sim 0.25$) obtained from joint analysis of 84 genomic regions. Reports from single sperm analysis seem to support much shorter conversion tract lengths, 54–132 bp for *HLA-DPB1* (Zangenberg et al. 1995) and 55–290 bp for *DNA3* loci (Jeffreys and May 2004). As the tract lengths identified for *LHB/CGB* genes are consistent with the single sperm data, we suggest f to range from 2 to 16.

In addition to ρ estimation, we used a descriptive approach relying on summarizing LD by a pairwise summary, r^2 , which measures the correlation between alleles. In order to overcome the sensitivity to allele frequencies, we included only SNPs with MAF $> 10\%$. Consistent with previous studies (for review, see Tishkoff and Verrelli 2003), the LD in African Mandenka does not extend as far as in non-African Han Chinese (represents an Asian population) and Estonians (represents a typical European population) (Fig. 3A,B,C; Dawson et al. 2002). In general, strong allelic associations at the periphery (*LHB*, *CGB*, *CGB7*) and breakdown of the LD toward the center (*CGB1*, *CGB2*, *CGB5*) characterize the LD structure of the *LHB/CGB* cluster in all studied population samples. Three arbitrary “LD blocks” could be defined: strongly associated *LHB* and *CGB*; *CGB5* weakly associated with *CGB1*; and the strong block of *CGB7*. In all three populations, LD breaks sharply down between *CGB5* and *CGB7*. Using the Li and Stephens (2003) algorithm, a recombination “hotspot” was estimated between *CGB5* and *CGB7* genes in all studied populations ($\lambda = 57.1$ for Estonians, 11.6 for Han, and 13.6 for Mandenka) (Fig. 3A,B,C). Another, “warm spot” was identified between *CGB* and *CGB2* ($\lambda = 2.36$ for Estonians, 5.47 for Han, and 4.17 for Mandenka). Consistently, the predicted 8.3-kb hotspot is colocalized with the strongest LD-breakdown region within the cluster (Fig. 3A,B,C). No recombination hotspots were predicted within the *LHB/CGB* genes, shown above as active in gene conversion.

We also explored the relationship of gene-conversion acceptor-site distribution and linkage disequilibrium (LD) patterns at

the *LHB/CGB* gene cluster. In contrast to the predictions (Andolfatto and Nordborg 1998; Ardlie et al. 2001; Frisse et al. 2001), most gene-conversion acceptor sites are located in high-LD regions within peripheral genes (Figs. 2B and 3A,B,C; Supplemental Fig. S4). Thus, direction of gene-conversion activity from the center (mainly donor genes) toward the periphery of the cluster (acceptor genes) has led not only to high sequence diversity but also generated strong LD for the peripheral genes. New alleles copied from the donor to the acceptor gene have been acting like novel mutations increasing variation and creating LD around the recipient site.

Structural analysis of the potential recombination hotspot

In order to narrow down the potential hotspot region, we resequenced the 8.3-kb region from *CGB5* up to *CGB7*, using an Estonian sample ($n = 11$) as a model. The sequence diversity parameters as well as the gene-conversion activity of the included *CGB8* gene were similar to neighboring *CGB5* (Table 1; Fig. 2B). Apparently owing to the small sample size and fewer SNPs, both estimates of recombination rate parameters ρ_{PAC} and ρ_{CL} exhibit more variation compared to the analysis of the whole *LHB/CGB* region, depending on SNP allele frequencies as well as the assumed length of the gene-conversion tract (for ρ_{CL}) (Table 3B). However, despite both approaches' struggle to provide accurate estimates of ρ , they are consistent in that the average recombination rate of the potential hotspot region is ~ 10 times higher compared to the rest of the *LHB/CGB* cluster (Table 3B). The estimates of f (ranging from 1 to 6.5 compared to the ρ_{CL} estimate across the 8.3-kb region) suggest that this region has also gene-conversion activity as high as or even higher than the *LHB/CGB* genes (Table 3B). When pairwise LD patterns were studied, strong associations were detected only between a few scattered loci, except in the region adjacent to *CGB7* (Fig. 3D). The potential recombination hotspot was narrowed within a < 1 -kb region colocalizing with LD breakdown between *CGB8* and *CGB7*, embedded within an *Alu*-rich ($\sim 75\%$ *Alu*-sequences) segment and 90–100 bp from a recombination-associated χ -sequence (Fig. 3D).

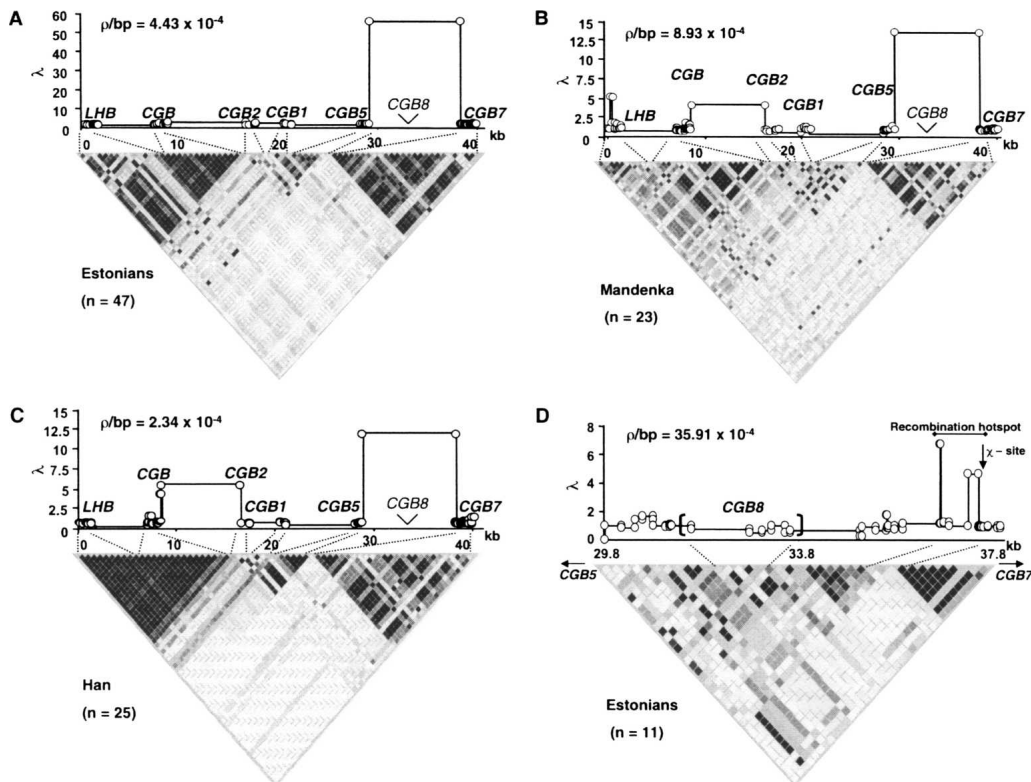


Figure 3. LD structure by r^2 -plot and estimation of crossing-over activity (measured by $\rho = 4N_e c_{bp}$) and potential recombination hotspots (measured by $[\lambda = \rho \text{ between a locus pair}] / [\text{average } \rho \text{ for the analyzed region}]$) by the PHASE algorithm (Stephens et al. 2001) across the *LHB/CGB* genome cluster for SNPs (○) with MAF > 10%: (A) Estonians; (B) Mandenka; and (C) Han Chinese samples. Regions of predicted high crossover activity colocalize with the breakdown (white) LD areas and low recombination rate with strong allelic associations (black/dark gray). (D) Refinement of recombination hotspot by resequencing genomic region between *CGB5* and *CGB7* genes in an Estonian sample as a model. The recombination hotspot colocalizes with LD breakdown and is located between *CGB8* and *CGB7* within a <1-kb region next to a crossover-associated *Escherichia coli* χ -sequence.

The hotspot exhibited 6.9 times higher ρ_{PAC} compared to an average of the 8.3-kb region. As the recombination rate between *CGB5*–*CGB7* was estimated to be ~10 times higher compared to the whole *LHB/CGB* region, the crossing-over rate of the hotspot exceeds ~70 times the background rate in the gene cluster.

Further sequence analysis revealed inverted *Alu* repeats (625 bp) that could give rise to stem–loop secondary structure formation (Fig. 1B). The single-stranded loop segment (222 bp), located exactly at the center of the predicted hotspot, could be sensitive to chromatin-altering factors and thus promote double-strand breaks (DSBs) and recombination/gene conversion (Akgün et al. 1997). The stem–loop structure might also disrupt DNA synthesis during replication, generating an unbound 3'-tail of the nascent strand that could invade homologous regions in the center of the cluster (Lobachev et al. 1998). The hypotheses of chromosome-altering factors and stalled replication are both sufficient to explain the direction of gene conversion from the center toward the periphery of the cluster, the invading strand always acting as the recipient during a gene-conversion event (Akgün et al. 1997). A region between *CGB* and *CGB2* predicted as a warm spot in recombination analysis involves also inverted repeats (2094 bp), but with a much longer spacer between them (2788 bp), which might hinder the formation of a stem–loop secondary structure as stable as predicted for the hotspot (Lobachev et al. 1998). A segment homologous to hot and warm spots, located between *CGB1* and *CGB5*, has undergone an inversion resulting in the partial loss of a palindromic DNA fragment preceding an *NTF6G'*

pseudogene (Fig. 1A), thus prohibiting the formation of a proper stem–loop structure.

Discussion

Gene conversion generates high diversity and strong LD for acceptor sites

Re-sequencing *LHB/CGB* genes in a sample set from populations of three continents revealed a high number of SNPs, altogether 206 found for all genes in a pooled sample. Few regions in the human genome re-sequenced so far have exceeded nucleotide diversity estimates $\pi > 0.002$: Examples are *ABO* and *KNG* (Crawford et al. 2004) and the X-linked long-wave “red” opsin gene *OPN1LW*, arisen from the tandem duplication ~30–40 million years ago (Mya) among Old World primates and shaped by gene conversion between *OPN1LW* and *OPN1MW* (Verrelli and Tishkoff 2004). Only one study (Bosch et al. 2004) has reported a diversity level as high as we determined for *CGB7* ($\pi = 0.00550$): for the distal Y-chromosomal direct HERV repeats ($\pi = 0.00544$), shaped by directional gene conversion from proximal ($\pi = 0.0016$) to distal repeat. In *LHB/CGB* genes, part of the high diversity is due to multisite variations (MSVs): SNPs located at the same position in several genes or represented also as paralogous sequence variants. Although parallel de novo mutations cannot be ruled out as the source for MSVs, gene conversion between highly homologous *LHB/CGB* genes is a more likely scenario. As

a support to this scenario, we identified MSVs within multiple gene-conversion tracts between gene pairs, detected by alignment of gene variants as well as by computational analysis using the GENECONV algorithm. Directional gene conversion has shaped the diversity patterns of the *LHB/CGB* region. Central genes of the cluster were characterized with mainly gene donor activity and lower variation, in contrast to highly diverse peripheral genes rich in acceptor sites.

It has been suggested that over short distances, gene conversion, rather than crossing over, is likely to be the dominant force that breaks up associations among sites (Andolfatto and Nordborg 1998; Ardlie et al. 2001; Frisse et al. 2001). Results from the *LHB/CGB* cluster did not support this hypothesis. A majority of gene-conversion recipient sites colocalized with high-LD regions in the peripheral loci of the region, whereas the middle of the cluster was characterized by LD breakdown and lower gene-conversion acceptor activity.

These observations are consistent with theoretical simulations showing that relative to a single-gene model, polymorphism may be elevated and positive LD created at duplicated genes due to gene conversion (Innan 2002, 2003).

Functional consequences of gene conversion in *LHB/CGB* genes

For duplicated genes, gene conversion has been shown to be an essential source for spreading disease mutations. For example, Boocock et al. (2003) showed that in the case of Shwachman-Diamond syndrome (SDS), 85% of patients carried a mutation in the *SBDS* gene originating from a neighboring pseudogene copy, *SBDSP*. To what extent has gene conversion shaped variation of coding sequences for *LHB/CGB* genes? The worldwide-spread Trp8Arg variant (Nilsson et al. 1997) as well as the neighboring His10Arg change (Supplemental Table S3) in exon 2 of *LHB* most probably originate from one of the hCG β -subunit-coding genes having in these positions conserved arginines. Another example is a widely spread variant of *CGB7* (41.5% in Estonians, 19.6% in Mandenka, and 28% in Han), consisting of three polymorphisms in exon 2 (+417, +422, and +423) and coding two associated amino acid changes: Arg2Lys and Met4Pro (Supplemental Table S3). Arg2–Met4 combination is unique to the *CGB7* gene, whereas *CGB*, *CGB5*, and *CGB8* carry the Lys2–Pro4 variant. As this segment in the *CGB7* gene has also been found to be within a gene-conversion acceptor site (Fig. 2B; Table 2), we interpret that the Lys2–Pro4 variant in *CGB7* originates from another *CGB* gene. Possible sources for novel variants in *LHB* and *CGB*, *CGB5*, *CGB7*, and *CGB8* are *CGB1/CGB2*, which have a 1-bp-shifted ORF and divergence in 5'- and 3'-UTRs. Thus, a neutral polymorphism of *CGB1/CGB2* could cause an amino acid change in a duplicate gene if spread by gene conversion. As an example, we have identified a rare Asp117Ala change in exon 3 of *CGB* and *CGB5*, potentially originating from a common variant in the 3'-UTR region of *CGB2* (SNP at position +1087) (Supplemental Table S2).

Variation patterns in *LHB/CGB* region and population demography

Current patterns of human genetic variation reflect not only crossover history, but also past demographic processes as well as possible selective pressures on studied genes. In the *LHB/CGB* region, higher diversity and number of SNPs, shorter range of LD and less pronounced LD structure, as well as higher estimated recombination rates (measured by $\rho = 4N_e c_{bp}$) were detected for

the Mandenka compared to the Estonian and the Han samples. These differences are likely to be explained by the distinct demographic histories of African and non-African populations: The former are older and have maintained larger N_e , and the latter have experienced a bottleneck event during the expansion of modern humans out of Africa within the past 100,000 years (for review, see Tishkoff and Verelli 2003). As a result of the bottleneck, non-African populations represent only a subset of African diversity and exhibit longer LD created during the founding event and maintained in rapidly expanding populations. It is noteworthy that despite high diversity as well as differences in variation and LD levels across the genes and populations, each *LHB/CGB* gene has only two to four major haplotypes in a population (Table 1). The joint bottleneck in the history of non-African populations is supported by mostly shared common gene variants between Estonians and Han, whereas Mandenka have several population-specific high-frequency haplotypes (data not shown). This observation has an important implication for LD-based mapping, suggesting that core variants in highly diverse regions may also be “tagged” by a few SNPs when an appropriate marker density is chosen.

Although putative hotspots and warm spots of recombination were predicted within the same regions in all studied samples, the estimated crossover intensity at these spots differs severalfold among populations (Fig. 3). If the background recombination rate (ρ_{PAC}) is taken into account (Table 3A), the hotspot crossover intensity for the Estonians exceeds approximately twice the estimation for the Mandenka and 10-fold for the Han. In contrast, fourfold higher activity is predicted for the warm spot in the Mandenka compared to the other populations. This is consistent with a suggestion that local recombination rates can vary among human populations because of differences in their allele frequencies or in historical factors affecting N_e in local regions of the genome (Jeffreys and Neumann 2002; Crawford et al. 2004; Ptak et al. 2004b; Evans and Cardon 2005).

Recombination and gene-conversion activity are potentially associated with palindrome sequences

In yeast, recombination activity has been associated with high G+C content, nuclease-sensitive chromatin, and transcription factor binding sites. Although no sequence motifs are known to predict recombination hotspots in humans, putative crossover-initiating motifs have been identified in other species (Petes 2001; De Massy 2003). The *LHB/CGB* gene cluster has all the properties described for a recombination-active region: extremely C+G-rich, *Alu*-richness, and the presence of several χ -sequence motifs, associated with crossover activity in several species. Despite high gene-conversion activity among the *LHB/CGB* genes, we estimated only one recombination hotspot within an intergenic region. Apparently, gene conversion between duplicons in the human genome also occurs without crossovers, consistent with the synthesis-dependent strand-annealing (SDSA) pathway described for yeast (Allers and Lichten 2001). What could be the determinants of the estimated potential recombination hotspot within the *LHB/CGB* cluster? It is probably not defined by primary DNA sequence, as there are two other highly homologous segments (Fig. 1A) located within the cluster. It has been suggested that double-stranded breaks, which are prerequisites for crossover initiation, are stimulated by the formation of palindromic secondary structures (Krawinkel et al. 1986; Akgün et al. 1997; Lobachev et al. 1998). Indeed, a stable stem-loop is

formed around the center of the predicted hotspot (Fig. 1B), which is not the case for the two homologous regions because of minor rearrangements of these DNA segments. The hypothesis of palindromic sequences stimulating DSBs and crossover activity is supported by direct sperm analysis—a structurally similar recombination hotspot, bordered by inverted *Alu*-motifs and characterized by crossover asymmetry, has been identified for the MHC hotspot *DNA2* (Jeffreys and Neumann 2002). We suggest that a high recombination rate and low LD, but also high gene-conversion activity in segmental duplications, could be favored by secondary structures formed by palindrome sequences. The abundance of direct and inverted repeats common in segmental duplications provides the basis for DNA secondary structure formations, initiating DSBs.

Methods

In silico analysis of human *LHB/CGB* genome cluster

The structure of the *LHB/CGB* genome cluster (#MIM 152780, 118860, 608823–608827; <http://www.ncbi.nlm.nih.gov/Omim/>) has been reconstructed by Web-based global alignment (<http://www.ebi.ac.uk/clusterw/>; CLUSTALW) and BLAST (<http://www.ncbi.nlm.nih.gov/BLAST/>) tools. For the analysis, we used the sequence obtained from the NCBI GenBank database (<http://www.ncbi.nlm.nih.gov/>; locus no NG_000019; June 26, 2002 release). Prediction of palindromic features was performed using the EMBOSS einverted program (<http://emboss.sourceforge.net/>; Rice et al 2000).

Population samples

The study has been approved by the Ethics Committee of Human Research of the University Clinic of Tartu, Estonia (permission no. 117/9, 16.06.03). For re-sequencing of six genes (*LHB*, *CGB*, *CGB1*, *CGB2*, *CGB5*, and *CGB7*), in total 95 DNA samples from three continents were used: 47 Estonian (Europe), 23 Mandenka (Africa), and 25 Chinese Han (Asia) individuals. The Estonian sample represents a typical European population (Dawson et al. 2002). Mandenka and Han samples were obtained from the HGDP-CEPH Human Genome Diversity Cell Line Panel (<http://www.cephb.fr/HGDP-CEPH-Panel/>; Cann et al 2002). The detailed analysis of the predicted recombination hotspot was conducted using a sample of 11 Estonian individuals.

Gene-specific and long-range PCR

A total of 12 PCR primers for the *LHB*, *CGB*, *CGB1*, *CGB2*, *CGB5*, and *CGB7* genes were designed based on the human chorionic gonadotropin β region sequence (NCBI Refseq NG_000019) using the Web-based version of the Primer3 software (http://frodo.wi.mit.edu/cgi-bin/primer3/primer3_www.cgi). While designing PCR primers aiming to result in gene-specific amplification products, we relied on the detailed structure of the *LHB/CGB* region (Fig. 1). The uniqueness of all PCR primers was checked using BLAST, and only primer pairs with at least one primer being unique in the human genome were regarded suitable for amplification. The six genes were amplified to cover the entire coding sequence and part of flanking regions; amplified fragments were 1599–2364 bp long. Specificity of the PCR products was controlled in three steps: (1) design of unique primer pairs capable to amplify only one of the duplicated genes; (2) verification of monomorphic status for gene-specific positions used as markers for each individual gene (Supplemental Fig. S1); (3) test for Hardy-Weinberg Equilibrium for each identified SNP.

Amplification of genomic DNA (100 ng) was performed us-

ing the Long PCR Enzyme Mix (MBI Fermentas) by the standard protocol recommended by the manufacturer. Amplifications were performed in a PTC-200 thermal cycler (MJ Research). The reactions were initiated with a denaturation at 95°C for 5 min, followed by 10 cycles of denaturation at 95°C for 20 sec, annealing at 68°C for 30 sec (decrease of temperature 1°C per cycle), elongation at 68°C for 2 min; 10 cycles of 95°C (20 sec), 56°C (30 sec), 68°C (2 min); 10 cycles of 95°C (20 sec), 54°C (30 sec), 68°C (2 min); 10 cycles of 95°C (20 sec), 51°C (30 sec), and 68°C (2 min). A final extension step was performed at 68°C for 10 min.

The potential hotspot region between *CGB5* and *CGB7* was amplified in two stages. First, a long-range PCR was conducted that yielded a product of 8.3 kb. Second, six inner fragments (1193–1675 bp) were reamplified by nested PCR. Amplifications of 100 ng of genomic DNA (Long PCR Enzyme Mix; MBI Fermentas) were performed in a GeneAmp PCR System 2700 thermal cycler (Applied Biosystems). The reactions were initiated with a denaturation at 94°C for 5 min, followed by four cycles of denaturation at 94°C for 20 sec, annealing at 68°C for 30 sec (decrease of temperature 1°C per cycle), elongation at 68°C for 8 min, 11 cycles at 94°C (20 sec), 64°C (30 sec), 68°C (8 min); 25 cycles at 94°C (20 sec), 64°C (30 sec), and 68°C (8 min + 5 sec per cycle). A final extension step was performed at 68°C for 10 min. All primer sequences are available upon request.

Re-sequencing

To remove unincorporated PCR primers and mononucleotides, PCR products were treated with exonuclease I (1 U; MBI Fermentas) and shrimp alkaline phosphatase (1.5 U; USB) and incubated in a GeneAmp PCR System 2700 thermal cycler (Applied Biosystems) at 37°C for 20 min followed by enzyme inactivation at 80°C for 15 min. Purified PCR product (1.5–3 μ L) served as a template in sequencing reactions (10 μ L) with sequencing primer (2 pmol) and DYEnamic ET Terminator Cycle Sequencing Kit reagent premix (Amersham Biosciences Inc.) as recommended by the supplier. *LHB*, *CGB*, *CGB1*, *CGB2*, *CGB5*, and *CGB7* genes were sequenced from both strands and using six different sequencing primers. Altogether 20 sequencing primers for *LHB*, *CGB*, *CGB1*, *CGB2*, *CGB5*, and *CGB7* genes (a set of six primers for every gene) and 36 primers for 8.3-kb hotspot region (six for each nested PCR product) were designed as described above for resequencing of both strands. Sequencing reactions (1.5 μ L) were run on an ABI 377 Prism automated DNA sequencer (Applied Biosystems) using ReproGel 377 gels (Amersham Biosciences Inc.).

For each gene and each population, the sequence data were assembled into a contig using phred and phrap software (Ewing et al 1998), and the contig was edited in a consed package (Gordon et al. 1998) to ensure that the assembly was accurate (<http://www.phrap.org/phredphrapconsed.html>). Polymorphisms were identified using the polyphred program (Version 4.2) (Nickerson et al. 1997) and confirmed by manual checking. A genetic variant was verified only if it was observed in both the forward and the reverse orientations. Allele frequencies were estimated and conformance with HWE was computed by an exact test ($\alpha = 0.05$) using HaploView (<http://www.broad.mit.edu/mpg/haploview/index.php>; Barrett et al. 2005) program. In total, six rare SNPs for Mandenka or Han were found to be deviating from HWE, apparently because of small sample size.

Statistical analysis

Sequence diversity parameters were calculated by DnaSP software (Version 4.0) (<http://www.ub.es/dnasp/>; Rozas and Rozas 1999). The direct estimate of per-site heterozygosity (π) was derived from the average pairwise sequence difference, and Watterson's θ

(Watterson 1975) represents an estimate of the expected per-site heterozygosity based on the number of segregating sites (S). Tajima's D (D^T) statistic (Tajima 1989) was performed to determine if the observed patterns of diversity in the three studied population samples are consistent with the standard neutral model. Significant positive D^T values may indicate an excess of intermediate-frequency SNPs consistent with balancing selection as well as population bottlenecks or subdivision, whereas significant negative D^T values indicate an excess of low-frequency SNPs consistent with recent directional selection or population expansion. Haplotypes were inferred from unphased genotype data using the Bayesian statistical method in the program PHASE 2.1 (<http://www.stat.washington.edu/stephens/>; Stephens et al. 2001). For haplotype reconstruction, the model allowing recombination was used. Running parameters for PHASE are described below.

Detection of gene-conversion events

Gene sequence variants derived from estimated haplotypes were used for gene-conversion analysis. For manual detection of gene-conversion sites between a pair of *LHB/CGB* genes, the derived complete sequence variants were aligned using Web-based ClustalW. A minimum gene-conversion site was defined as a region within an acceptor gene with ≥ 2 associated, motif-forming polymorphisms for which a potential donor gene could be defined. The maximum possible gene-conversion tract covers the identical sequence between two compared genes on both sides of the minimum gene-conversion tract. Alternatively, the aligned sequences of all possible gene pairs were analyzed for evidence of gene conversion using Stanley Sawyer's gene-conversion detection method as implemented in his GENECONV program (Version 1.81) (<http://www.math.wustl.edu/~sawyer/geneconv/>; Sawyer 1989). Sawyer's gene-conversion detection algorithm detects whether pairs of sequences share unusually long stretches of similarity given their overall similarity. The GENECONV program computes global and pairwise p -values and allows mismatches within converted regions. Global and pairwise p -values are calculated using two methods. The first method is based on (10,000) permutations of the original data, and the second is based on a method similar to that used by the BLAST database-searching algorithm. Here, we only used p -values from permutations (simulations) because they are more conservative and accurate. We also only considered p -values ($p < 0.05$) from global fragments because their p -values are corrected for multiple comparisons whereas the p -values of pairwise fragments are not. Alignments were analyzed using the most stringent "g0" parameter, meaning that mismatches within fragments are not allowed.

Measures of linkage disequilibrium

The descriptive statistic of linkage disequilibrium (LD), r^2 (Hill and Robertson 1968), was calculated for pairs of markers and summarized using Haploview software (Barrett et al. 2005). Reliable LD patterns were achieved by inclusion of only common SNPs with minor allele frequency (MAF) $>10\%$. To locate gene-conversion acceptor sites at the LD landscape of *LHB/CGB* cluster, we calculated pairwise LD for all identified SNPs, as several converted SNPs represent low allele frequencies.

Another way to quantify levels of LD is to estimate the population crossing-over parameter $\rho = 4N_e c_{bp}$, where N_e equals effective population size and c_{bp} the crossing-over rate per base pair per generation. We estimated ρ using two alternative algorithms. The Li and Stephens (2003) method is based on a "Product of Approximate Conditionals" (PAC) model considering all

loci simultaneously, allowing variation of recombination rate across the region of interest and thus estimation of putative recombination hotspots. Average background recombination rate (ρ_{PAC}) and the factor (λ) by which the recombination rate between loci exceeds the average background rate were estimated from unphased genotype data using the PHASE 2.1 software (<http://www.stat.washington.edu/stephens/>; Stephens et al. 2001; Li and Stephens 2003). Within this model, a λ value of 1 corresponds to an absence of recombination rate variation, while values of $\lambda > 1$ indicate increase crossover activity. The value of $1 < \lambda < 10$ is considered a recombination "warm spot," and the value of $\lambda > 10$ is considered a recombination "hotspot" (Crawford et al. 2004). For hotspot estimation, only common SNPs (MAF $> 10\%$) were included in the analysis. The running parameters were number of iterations = 1000, thinning interval = 1, burn-in = 100; for increasing the number of iterations of the final run of the algorithm the -X10 parameter, making the final run $10 \times$ longer than other runs, was used. To relax the assumption of stepwise mechanism inappropriate for triallelic SNPs, the -d1 option was used. For each sample set, we ran the algorithm 10 times, resulting in identical outputs of the parallel analysis; thus we used the median of the values obtained from one of the runs.

Alternatively, we used the "composite likelihood" (CL) method by Hudson (2001) to estimate simultaneously the population recombination parameter ρ_{CL} and f , where f is the ratio of gene conversion to crossing-over events (Frisse et al. 2001). Hudson's method is based on multiplying together likelihoods for every pair of sites genotyped, in which these pairwise likelihoods are computed via simulation, assuming an "infinite-sites" model. The method assumes that gene conversion and crossing-over are alternative solutions of a Holliday junction and that the conversion-tract length is geometrically distributed with mean length L . We obtained maximum likelihood estimates for ρ_{CL} and f from unphased data using MAXDIP (<http://genapps.uchicago.edu/maxdip/index.html>) with the following running parameters: starting value of $\rho = 0.0002$; f ranging from 0 to 30, with the intervals of 0.5. The analysis was run for gene-conversion-tract lengths $L = 30, 50, 100, 250,$ and 500 . The choice of the L values was based on reports from human single-sperm analysis (Zangenberg et al. 1995; Jeffreys and May 2004) and lengths of gene-conversion tracts identified for *LHB/CGB* genes.

Acknowledgments

We thank Howard Cann for providing Mandenka and Chinese Han DNA samples from the CEPH Human Genome Diversity Cell Line Panel; Roger Horton, Robert K. Campbell, Elin Löhmuusaar, Kristiina Rull, Tarmo Annilo, and Laura Sedman for comments on the manuscript; and Viljo Soo for technical help. The study has been supported by the Wellcome Trust International Senior Research Fellowship (grant no. 070191/Z/03/Z) in Biomedical Science in Central Europe (M.L.), Estonian Science Foundation grant no. 5796 (M.L.), and personal stipends from the Artur Lind Gene Technology Fund (P.H.) and Estonian-Revelia Harald Raudsepp Academic Fund (P.H. and L.N.).

References

- Akgün, E., Zahn, J., Baumes, S., Brown, G., Liang, F., Romanienko, P.J., Lewis, S., and Jasin, M. 1997. Palindrome resolution and recombination in the mammalian germ line. *Mol. Cell. Biol.* **17**: 5559–5570.
- Allers, T. and Lichten, M. 2001. Differential timing and control of noncrossover and crossover recombination during meiosis. *Cell* **106**: 47–57.
- Andolfatto, P. and Nordborg, M. 1998. The effect of gene conversion on

- intra-locus association. *Genetics* **148**: 1397–1399.
- Ardlie, K., Liu-Cordero, S.N., Eberle, M.A., Daly, M., Barrett, J., Winchester, E., Lander, E.S., and Kruglyak, L. 2001. Lower-than-expected linkage disequilibrium between tightly linked markers in humans suggests a role for gene conversion. *Am. J. Hum. Genet.* **69**: 582–589.
- Bailey, J.A., Gu, Z., Clark, R.A., Reinert, K., Samonte, R.V., Schwartz, S., Adams, M.D., Myers, E.W., Li, P.W., and Eichler, E.E. 2002. Recent segmental duplications in the human genome. *Science* **297**: 1003–1007.
- Bailey, J.A., Liu, G., and Eichler, E.E. 2003. An *Alu* transposition model for the origin and expansion of human segmental duplications. *Am. J. Hum. Genet.* **73**: 823–834.
- Barrett, J.C., Fry, B., Maller, J., and Daly, M.J. 2005. Haploview: Analysis and visualization of LD and haplotype maps. *Bioinformatics* **21**: 263–265.
- Bettencourt, B.R. and Feder, M.E. 2002. Rapid concerted evolution via gene conversion at the *Drosophila hsp70* genes. *J. Mol. Evol.* **54**: 569–586.
- Boocock, G.R., Morrison, J.A., Popovic, M., Richards, N., Ellis, L., Durie, P.R., and Rommens, J.M. 2003. Mutations in *SBDS* are associated with Shwachman-Diamond syndrome. *Nat. Genet.* **33**: 97–101.
- Bosch, E., Hurler, M.E., Navarro, A., and Jobling, M.A. 2004. Dynamics of a human interparalog gene conversion hotspot. *Genome Res.* **14**: 835–844.
- Cann, H.M., de Toma, C., Cazes, L., Legrand, M.F., Morel, V., Piouffre, L., Bodmer, J., Bodmer, W.F., Bonne-Tamir, B., Cambon-Thomsen, A., et al. 2002. Human genome diversity cell line panel. *Science* **296**: 261–262.
- Crawford, D.C., Bhangale, T., Li, N., Hellenthal, G., Rieder, M.J., Nickerson, D.A., and Stephens, M. 2004. Evidence for substantial fine-scale variation in recombination rates across the human genome. *Nat. Genet.* **36**: 700–706.
- Dawson, E., Abecasis, G.R., Bumpstead, S., Chen, Y., Hunt, S., Beare, D.M., Pabial, J., Dibbling, T., Tinsley, E., Kirby, S., et al. 2002. A first-generation linkage disequilibrium map of human chromosome 22. *Nature* **418**: 544–548.
- De Massy, B. 2003. Distribution of meiotic recombination sites. *Trends Genet.* **19**: 514–522.
- Estivill, X., Cheung, J., Pujana, M.A., Nakabayashi, K., Scherer, S.W., and Tsui, L.-C. 2002. Chromosomal regions containing high-density and ambiguously mapped putative single nucleotide polymorphisms SNPs correlate with segmental duplications in the human genome. *Hum. Mol. Genet.* **11**: 1987–1995.
- Evans, D.M. and Cardon, L.R. 2005. A comparison of linkage disequilibrium patterns and estimated population recombination rates across multiple populations. *Am. J. Hum. Genet.* **76**: 681–687.
- Ewing, B., Hillier, L., Wendl, M., and Green, P. 1998. Basecalling of automated sequencer traces using phred. I. Accuracy assessment. *Genome Res.* **8**: 175–185.
- Fredman, D., White, S.J., Potter, S., Eichler, E.E., Den Dunnen, J.T., and Brookes, A.J. 2004. Complex SNP-related sequence variation in segmental genome duplications. *Nat. Genet.* **36**: 861–866.
- Frisse, L., Hudson, R.R., Bartoszewicz, A., Wall, J.D., Donfack, J., and Di Rienzo, A. 2001. Gene conversion and different population histories may explain the contrast between polymorphism and linkage disequilibrium levels. *Am. J. Hum. Genet.* **69**: 831–843.
- Gordon, D., Abajian, C., and Green, P. 1998. Consed: A graphical tool for sequence finishing. *Genome Res.* **8**: 195–202.
- Hill, W.G. and Robertson, A. 1968. The effects of inbreeding at loci with heterozygote advantage. *Genetics* **60**: 615–628.
- Horton, R., Wilming, L., Rand, V., Lovering, R.C., Bruford, E.A., Khodiyar, V.K., Lush, M.J., Povey, S., Talbot Jr., C.C., Wright, M.W., et al. 2004. Gene map of the extended human MHC. *Nat. Rev. Genet.* **5**: 889–899.
- Hudson, R.R. 2001. Two-locus sampling distributions and their application. *Genetics* **159**: 1805–1817.
- Hurler, M.E. 2001. Gene conversion homogenizes the *CMT1A* paralogous repeats. *BMC Genomics* **2**: 11.
- Iafate, A.J., Feuk, L., Rivera, M.N., Listewnik, M.L., Donahoe, P.K., Qi, Y., Scherer, S.W., and Lee, C. 2004. Detection of large-scale variation in the human genome. *Nat. Genet.* **36**: 949–951.
- Innan, H. 2002. A method for estimating the mutation, gene conversion and recombination parameters in small multigene families. *Genetics* **161**: 865–872.
- . 2003. The coalescent and infinite-site model of a small multigene family. *Genetics* **163**: 803–810.
- Jeffreys, A.J. and May, C.A. 2004. Intense and highly localized gene conversion activity in human meiotic crossover hot spots. *Nat. Genet.* **36**: 151–156.
- Jeffreys, A.J. and Neumann, R. 2002. Reciprocal crossover asymmetry and meiotic drive in a human recombination hot spot. *Nat. Genet.* **31**: 267–271.
- Jiang, M., Lamminen, T., Pakarinen, P., Hellman, J., Manna, P., Herrerra, R.J., and Huhtaniemi, I. 2002. A novel Ala⁻³Thr mutation in the signal peptide of human luteinizing hormone β -subunit: Potentiation of the inositol phosphate signaling pathway and attenuation of the adenylate cyclase pathway by recombinant variant hormone. *Mol. Hum. Reprod.* **8**: 201–212.
- Krawinkel, U., Zoebelin, G., and Bothwell, A.L.M. 1986. Palindromic sequences are associated with sites of DNA breakage during gene conversion. *Nucleic Acids Res.* **14**: 3871–3882.
- Li, N. and Stephens, M. 2003. Modeling linkage disequilibrium and identifying recombination hotspots using single-nucleotide polymorphism data. *Genetics* **165**: 2213–2233.
- Lobachev, K.S., Shor, B.M., Tran, H.T., Taylor, W., Keen, J.D., Resnick, M.A., and Gordenin, D.A. 1998. Factors affecting inverted repeat stimulation of recombination and deletion in *Saccharomyces cerevisiae*. *Genetics* **148**: 1507–1524.
- Maston, G.A. and Ruvolo, M. 2002. Chorionic gonadotropin has a recent origin within primates and an evolutionary history of selection. *Mol. Biol. Evol.* **19**: 320–335.
- Nahon, J.-L. 2003. Birth of ‘human-specific’ genes during primate evolution. *Genetica* **118**: 193–208.
- Nickerson, D.A., Tobe, V.O., and Taylor, S.L. 1997. Polyphred: Automating the detection and genotyping of single nucleotide substitutions using fluorescence-based resequencing. *Nucleic Acids Res.* **25**: 2745–2751.
- Nilsson, C., Pettersson, K., Millar, R.P., Coerver, K.A., Matzuk, M.M., and Huhtaniemi, I.T. 1997. Worldwide frequency of a common genetic variant of luteinizing hormone: An international collaborative research. International Collaborative Research Group. *Fertil. Steril.* **67**: 998–1004.
- Papadakis, M.N. and Patrinos, G.P. 1999. Contribution of gene conversion in the evolution of the human β -like globin gene family. *Hum. Genet.* **104**: 117–125.
- Petes, T.D. 2001. Meiotic recombination hot spots and cold spots. *Nat. Rev. Genet.* **2**: 360–369.
- Pettersson, K., Mäkelä, M.M., Dahlen, P., Lamminen, T., Huoponen, K., and Huhtaniemi, I. 1994. Genetic polymorphism found in the LH β gene of an immunologically anomalous variant of human luteinizing hormone. *Eur. J. Endocrinol.* **130** [Suppl 2]: 65.
- Policastro, P.F., Daniels-McQueen, S., Carle, G., and Boime, I. 1986. A map of the hCG-LHB gene cluster. *J. Biol. Chem.* **261**: 5907–5916.
- Ptak, S.E., Voelpel, K., and Przeworski, M. 2004a. Insights into recombination from patterns of linkage disequilibrium in humans. *Genetics* **167**: 387–397.
- Ptak, S.E., Roeder, A.D., Stephens, M., Gilad, Y., Pääbo, S., and Przeworski, M. 2004b. Absence of the TAP2 human recombination hotspot in chimpanzees. *PLoS Biol.* **2**: 849–855.
- Rice, P., Longden, I., and Bleasby, A. 2000. EMBOS: The European Molecular Biology Open Software Suite. *Trends Genet.* **16**: 276–277.
- Rozas, J. and Rozas, R. 1999. DnaSP version 3: An integrated program for molecular population genetics and molecular evolution analysis. *Bioinformatics* **15**: 174–175.
- Sawyer, S. 1989. Statistical tests for detecting gene conversion. *Mol. Biol. Evol.* **6**: 526–538.
- Sebat, J., Lakshmi, B., Troge, J., Alexander, J., Young, J., Lundin, P., Maner, S., Massa, H., Walker, M., Chi, M., et al. 2004. Large-scale copy number polymorphism in the human genome. *Science* **305**: 525–528.
- Shaw, C.J. and Lupski, J.R. 2004. Implications of human genome architecture for rearrangement-based disorders: The genomic basis of disease. *Hum. Mol. Genet.* **13**: R57–R64.
- Smith, G.R. 1988. Homologous recombination in prokaryotes. *Microbiol. Rev.* **52**: 1–28.
- Stankiewicz, P. and Lupski, J.R. 2002. Genome architecture, rearrangements and genomic disorders. *Trends Genet.* **18**: 74–82.
- Stephens, M., Smith, N.J., and Donnelly, P. 2001. A new statistical method for haplotype reconstruction from population data. *Am. J. Hum. Genet.* **68**: 978–989.
- Tajima, F. 1989. Statistical method for testing the neutral mutation hypothesis by DNA polymorphism. *Genetics* **123**: 585–595.
- Themmen, A.P.N. and Huhtaniemi, I.T. 2000. Mutations of gonadotropins and gonadotropin receptors: Elucidating the physiology and pathophysiology of pituitary-gonadal function. *Endocrine Rev.* **21**: 551–583.
- Tishkoff, S. and Verrelli, B.C. 2003. Patterns of human genetic diversity: Implications for human evolutionary history and disease. *Annu. Rev. Genomics Hum. Genet.* **4**: 293–340.
- Tusié-Luna, M.-T. and White, P.C. 1995. Gene conversions and unequal crossovers between *CYP21* steroid 21-hydroxylase gene and *CYP21P*

- involve different mechanisms. *Proc. Natl. Acad. Sci.* **92**: 10796–10800.
- Verrelli, B.C. and Tishkoff, S. 2004. Signatures of selection and gene conversion associated with human color vision variation. *Am. J. Hum. Genet.* **75**: 363–375.
- Watterson, G.A. 1975. On the number of segregating sites in genetical models without recombination. *Theor. Popul. Biol.* **7**: 256–276.
- Wyckoff, G.J., Wang, W., and Wu, C.-I. 2000. Rapid evolution of male reproductive genes in the descent of man. *Nature* **403**: 304–309.
- Zangenberg, G., Huang, M.M., Arnheim, N., and Erlich, H. 1995. New HLA-DPB1 alleles generated by interallelic gene conversion detected by analysis of sperm. *Nat Genet.* **10**: 407–414.

Web site references

- <http://emboss.sourceforge.net/>; EMBOSS einverted Software.
- http://frodo.wi.mit.edu/cgi-bin/primer3/primer3_www.cgi; Primer3 software.
- <http://genapps.uchicago.edu/maxdip/index.html>; MAXDIP application.

- <http://www.broad.mit.edu/mpg/haploview/index.php>; Haploview software.
- <http://www.cephb.fr/HGDP-CEPH-Panel/>; HGDP-CEPH Human Genome Diversity Cell Line Panel.
- <http://www.ebi.ac.uk/clustalw/>; ClustalW software.
- <http://www.math.wustl.edu/~sawyer/geneconv/>; GENECONV computer program.
- <http://www.ncbi.nlm.nih.gov/BLAST/>; Basic Local Alignment Search Tool.
- <http://www.ncbi.nlm.nih.gov/Omim/>; Online Mendelian Inheritance in Man (OMIM).
- <http://www.ncbi.nlm.nih.gov/SNP/index.html>; dbSNP.
- <http://www.ncbi.nlm.nih.gov>; National Center for Biotechnology Information.
- <http://www.phrap.org/phredphrapconsed.html>; Phred, Phrap, Consed software.
- <http://www.stat.washington.edu/stephens/>; PHASE 2.1 software.
- <http://www.ub.es/dnasp/>; DNAsp software.

Received March 26, 2005; accepted in revised form September 6, 2005.



Segmental duplications and gene conversion: Human luteinizing hormone/chorionic gonadotropin β gene cluster

Pille Hallast, Liina Nagirnaja, Tõnu Margus, et al.

Genome Res. 2005 15: 1535-1546

Access the most recent version at doi:[10.1101/gr.4270505](https://doi.org/10.1101/gr.4270505)

Supplemental Material

<http://genome.cshlp.org/content/suppl/2005/10/27/15.11.1535.DC1>

References

This article cites 57 articles, 19 of which can be accessed free at:
<http://genome.cshlp.org/content/15/11/1535.full.html#ref-list-1>

License

Email Alerting Service

Receive free email alerts when new articles cite this article - sign up in the box at the top right corner of the article or [click here](#).



To subscribe to *Genome Research* go to:
<https://genome.cshlp.org/subscriptions>