

RC8B B4e

1:8 Scale 4WD Electric Off Road
Competition Buggy Kit



#80946 RC8B4e TEAM KIT

- SCALE 1:8 VEHICLE
- KIT
- 4 WHEEL DRIVE
- ELEC. POWERED
- OFF ROAD
- NOT INCLUDED
- CLEAR BODY

1:8 Scale 4WD Electric Off Road Competition Buggy Manual



CHAMPIONS *by* DESIGN

AssociatedElectrics.com

TEAM ASSOCIATED

:: Introduction

Thank you for purchasing this Team Associated product. This assembly manual contains instructions and tips for building and maintaining your new Kit. Please take a moment to read through this manual to help familiarize yourself with these steps. We are continually changing and improving our designs; therefore, actual parts may appear slightly different than in the illustrations. New parts will be noted on supplementary sheets located in the appropriate parts bags. Check each bag for these sheets before you start to build.

:: KIT Features

Features in the RC8B4e Kit:

- New chassis layout featuring two shorty-style only battery configurations. Both configurations include a centrally mounted center differential and in-line center driveshafts for superior drivetrain efficiency and equalized chassis balance.
- New two-piece clamping motor mounts make for secure mounting and allows for mounting of a 30mm motor fan.
- New battery trays with battery stops built in for easy battery position adjustments.
- New ESC tray with protective shield has two chassis positions 2x2s and 1x4s battery setups for ideal weight bias positioning.
- New receiver box with built in servo mounts has integrated cable routing and increased volume for taller antenna-less receivers.
- Innovative front-end geometry with new 8° inclined kingpin steering blocks are paired with a new wider upper suspension arm pivot for improved steering balance and predictable handling in all conditions
- New gearboxes are specific to front and rear
- All new front lower, front upper, and rear suspension arm designs
- New rear wing mount has adjustable wing angle shims, significant strength improvements, an aerodynamic shape, and extra clearance for shock position adjustment
- New rear wing has more vertical fins for increased straight line stability, a taller rear lip height for increased downforce, increased strength in various areas to reduce bending fatigue, and dimples on the backside as a template for cutout holes
- New rear chassis brace has several design features and flex options
- New rear hub features a symmetrical left and right common design with axle height inserts for adjustable roll center tuning. The standard bearing size used is an 8x16x5mm flanged but the hub will still accept 15x21x4mm bearing for tuning options.
- New steering bellcranks with top-mounted steering rack for extra clearance around gearbox assembly
- New aluminum steering rack designed around the updated front end geometry is lightweight and durable
- New steering bellcrank nuts are longer to reduce drag from the steering rack under flex
- Updated steering servo linkage features a new heavy duty threaded ball and steel screw joint
- New A and B blue aluminum suspension arm mounts are shaped to interlock with the RC8B4 chassis
- New RC8B4e specific 7075 aluminum hard anodized chassis features updates to strengthen the front and rear droop tab areas and an increased width along kick up area, and accommodations for the electric specific layout.
- New upper suspension arm link mount is significantly wider than RC8B3 series, providing the required geometry for the new 8° steering blocks
- New front shock tower has strength improvements and allows for the upper suspension arm insert to be mounted from front side via a recessed pocket, without disassembly of the tower from the gearbox
- New RC8B4e specific front top plate has been updated to fit the new steering geometry and an offset front chassis brace.
- New front body post is recessed into the front top plate and the reversible design is easy to mount
- New spring cups and shock rod end design has a locking screw to keep the cups in place during a crash
- New front shock bushings are 1.5mm longer, and rear shock bushings are 4mm than RC8B3 shock mounts
- New two-piece rear body post features a rubber grommet to allow some flex to extend the life of the body
- New side guards have integrated wire routing clips and are over 1 inch narrower than RC8B3.2e

:: Additional

Your new RC8B4e Kit comes as a kit. There are items you will need to complete your kit (refer to the website for suggestions):

- 2 or 3 channel radio/transmitter (2.4GHz recommended)
- Two 2s or One 4s LiPo Battery Pack
- Polycarbonate-specific paint
- 1:8 scale buggy tires and wheels
- Reamer / hole punch
- Transmitter batteries
- 1/8th scale sized motor
- Thread-locking compound
- CA (cyanoacrylic) glue
- Ride height gauge
- Steering servo
- 1/8th scale sized ESC
- Needle-nose pliers
- Hobby knife

:: Other Helpful Items

- Silicone Shock/Diff Fluids (Refer to the website for complete listings):
- Shock Pliers
- Reamer / Hole Punch - (#1499)
- Ride Height Gauge
- FT Hex Wrenches - (#1506, 1518)
- Wire Cutters
- Turnbuckle Wrench - (#1114)
- Body Scissors (AE #1737)
- FT Hex Wrenches / Nut Drivers - (#1519)
- Calipers or a Precision Ruler
- Wheel Nut Wrench 17mm - (#1571)















Associated Electrics, Inc.
21062 Bake Parkway
Lake Forest, CA 92630


















Customer Service
Tel: 949.544.7500
Fax: 949.544.7501

:: Hardware - 1:1 Scale View







Flat Head (fhcs)

	2.5x6mm (4675)
	2.5x8mm (31448)
	3x5mm (31540)
	3x6mm (31541)
	3x8mm (25201)
	3x10mm (25202)
	3x12mm (25203)
	3x14mm (89208)
	3x30mm (89212)
	4x10mm (81262)
	4x12mm (89214)
	4x14mm (89217)
	4x16mm (81263)
	4x20mm (81264)






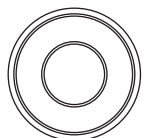
Button Head (bhcs)

	2.5x6mm (31520)
	2.5x8mm (31521)
	2.5x18mm (81259)
	3x6mm (31531)
	3x8mm (31532)
	3x10mm (25211)
	3x12mm (89202)
	3x14mm (25187)
	3x16mm (89203)
	3x18mm (2308)
	3x20mm (25188)
	3x22mm (25189)
	3x24mm (89204)
	4x14mm (81260)
	4x16mm (81261)








Set Screws

	3x3mm (25225)
	3x6mm (81257)
	3x10mm (4671)
	3x12mm (81258)
	4x4mm (7732)
	5x4mm (89221)






Ball Bearings

	5x8x2.5mm (8680)
	5x10x4mm (91560)
	6x10mm (31404)
	6x13x5mm flanged (91559)
	8x16x5mm (91564)
	8x16x5mm flanged (91565)








Socket Head (shcs)

	2x5mm (31511)
	2x16mm (7184)
	3x10mm (25620)
	3x12mm (89454)
	3x24mm (89225)
	3x26mm (89226)
	3x28mm (89227)

LP Socket Head (lp shcs)

	3x6mm (41089)
	3x10mm (41090)
	3x14mm (41094)
	3x16mm (41093)
	3x20mm (41091)

Nuts (lock/plain)

	M3 Nut (91477)
	M3 Alum. Locknut, Blue (31550)
	M3 Locknut, Black (25215)
	M3 Locknut w/Flange (25612)
	FT 3mm Locknuts, Blue(25392)
	FT M4 Locknut, Blue (31551)
	M4 Locknut, Serrated (91738)

:: Table of Contents

1..... Cover	16 - 18.....Rear End Build (Bags 7.1, 7.2, 7.3)
2..... Introduction	19.....Rear Hubs Build (Bags 8.1, 8.2)
3..... 1:1 Hardware "Fold Out"	20 - 21.....Center Bulkhead Build (Bag 9.1)
4..... Table of Contents	21 - 22.....Radio Tray Build (Bag 10.1, 11.1)
5 - 7.....Differentials Build (Bags 1.1, 1.2)	22 - 23.....Battery Tray Build (Bag 12.1)
7 - 8.....Shocks Build (Bag 2.1)	24.....Wheels / Tires / Body (Misc.)
9.....Turnbuckles Build (Bags 3.1)	25.....Droop Settings
10 - 11.....Steering / Chassis Build (Bag 4.1)	26.....Back Cover
11 - 14.....Front Gearbox Build (Bags 5.1, 5.2, 5.3)	
14 - 15.....Steering Blocks Build (Bags 6.1)	

:: Notes



This symbol indicates a special note or instruction in the manual.



This symbol indicates a specific build order in the manual.



This symbol indicates a Racers Tip.



There is a 1:1 hardware foldout page in the front of the manual. To check the size of a part, line up your hardware with the correct drawing until you find the exact size. Each part in the foldout has a number assigned to it for ordering replacement parts.

Associated Electrics, Inc.
21062 Bake Parkway
Lake Forest, CA 92630



Customer Service
Tel: 949.544.7500
Fax: 949.544.7501

:: Differential Build (Front and Rear) - Bag 1.1, 1.2 - Step 1

#6588 black grease

81379 Diff Case

81385 Outdrive O-Ring 5.8x1.9mm

91564 8x16x5 Bearing

81381 Diff Shim 6x8x0.20mm

#6588 black grease

81008 15mm Outdrive

81380 Pin 2.5x12mm

Set aside 13x15.8mm shims until diff install

81380 Diff Sun Gear, 20T, HTC

Align pin with groove in sun gear

:: Differential Build (Front and Rear) - Bag 1.1, 1.2 - Step 2

81381 x4 Diff Shim 3.6x12x0.12mm

81380 x4 Diff Planet Gear, 10T, HTC

81380 x2 Diff Crosspin

#6588 black grease

81385 Outdrive O-Ring 5.8x1.9mm

81009 Diff Ring Gear, 42T

91564 8x16x5 Bearing

81381 Diff Shim 6x8x0.20mm

#6588 black grease

81008 15mm Outdrive

:: Differential Build (Front and Rear) - Bag 1.1, 1.2 - Step 3

81380 Pin 2.5x12mm

81380 Diff Sun Gear, 20T, HTC

81384 Diff Gasket

#6588 black grease

Align pin with groove in sun gear

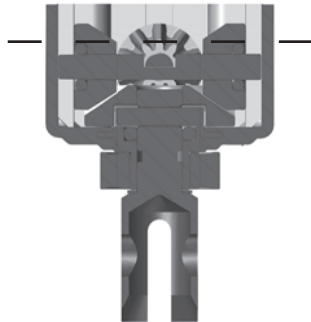
Racer's Tip:
Use black grease (#6588) to coat the back side of the diff gasket (i.e. not the entire gasket) before installation!

:: Differential Build (Front and Rear) - Bag 1.1, 1.2 - Step 4



Racer's Tip:

Fill diff above the cross pins, below the planet gears as shown.



89208 $\Sigma 4$
3x14mm
FHCS



Front Diff Fluid:
5,000cst #5453

Rear Diff Fluid:
5,000cst #5453

:: Differential Build (Center) - Bag 1.1, 1.2 - Step 5



81385
Outdrive
O-Ring
5.8x1.9mm

81380
Pin
2.5x12mm

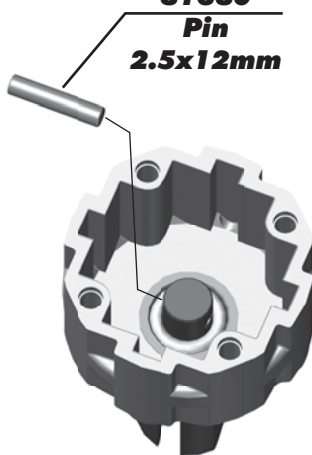
81380
Diff Sun
Gear, 20T,
HTC

81379
Diff
Case

91564
8x16x5
Bearing

81381
Diff Shim
6x8x0.20mm

81008
15mm
Outdrive,
Center Diff



Align pin with groove in sun gear



:: Differential Build (Center) - Bag 1.1, 1.2 - Step 6

81381 $\Sigma 4$
Diff Shim
3.6x12x0.12mm

81380 $\Sigma 4$
Diff Planet
Gear, 10T,
HTC

81380 $\Sigma 2$
Diff
Crosspin



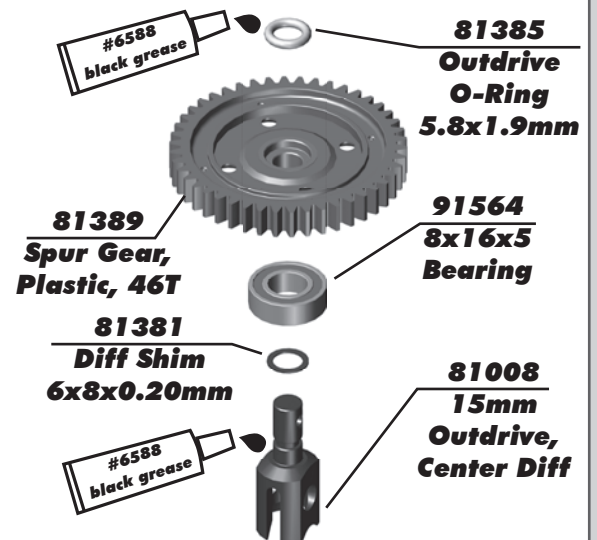
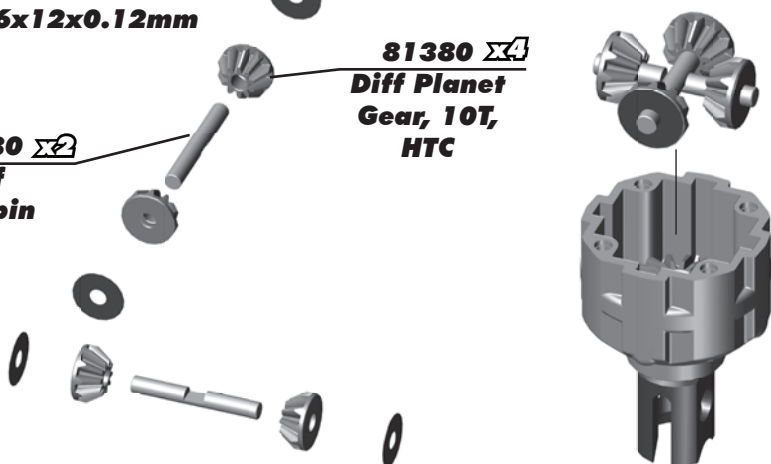
81385
Outdrive
O-Ring
5.8x1.9mm

81389
Spur Gear,
Plastic, 46T

91564
8x16x5
Bearing

81381
Diff Shim
6x8x0.20mm

81008
15mm
Outdrive,
Center Diff



:: Differential Build (Center) - Bag 1.1, 1.2 - Step 7

81380 Pin 2.5x12mm

81380 Diff Sun Gear, 20T, HTC

81384 Diff Gasket

#6588 black grease

Racer's Tip:
Use black grease (#6588) to coat the back side of the diff gasket (i.e. not the entire gasket) before installation!

Align pin with groove in sun gear

:: Differential Build (Center) - Bag 1.1, 1.2 - Step 8

Racer's Tip:
Fill diff above the cross pins, below the planet gears as shown.

89208 3x14mm FHCS

Diff Fluid

Center Diff Fluid: 10,000cst #5455

:: Shocks Build - Bag 2.1 - Step 1

81200 Shock Piston (8x1.2 tapered) Front and Rear

89215 2.5mm Shock Piston Locknut

89278 2.6x6mm Washer

81172 TiN Shock Shaft, 3.5x33.5mm (Front)

81173 TiN Shock Shaft, 3.5x42.5mm (Rear)

81160 Shock Body, 30.5mm (Front)

81161 Shock Body, 39.5mm (Rear)

81185 Shock Body O-Ring

81185 O-Ring Hat Bushing

81188 Shock Body Seal Retainer

81186 Shock O-Ring

81185 O-Ring Spacer

Install pistons taper down

:: Shocks Build - Bag 2.1 - Step 2

Racer's Tip:
Use green slime (#1105) to lube the o-rings before installation!

81190 Shock Boots
81562 Rod End Ball
81512 Shock Rod End
81452 RC8B3.2 Shock Cap
81512 Shock Cap Insert
91492 2x4mm BHCS
91492 Gasket (2)
81453 Bladder, Stiff (1)

When installing the shock bladder, make sure it is correctly seated within the shock cap as shown.

:: Shocks Build - Bag 2.1 - Step 3

Fill to top of shock body.
Front Shock Fluid: 45wt #5430
Rear Shock Fluid: 40wt #5423

Leave a gap when installing the shock cap.

Compress shock shaft fully. Let shock fluid bleed from cap, then tighten cap.

For more rebound, do not compress shock shaft as far before tightening the shock cap.

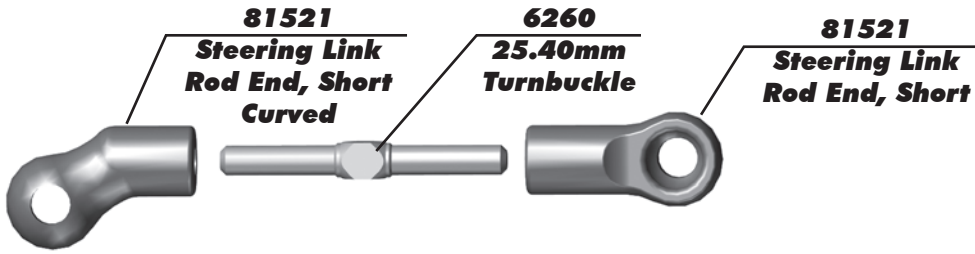
:: Shocks Build - Bag 2.1 - Step 4

The springs come with a colored marking pre-installed for easy identification

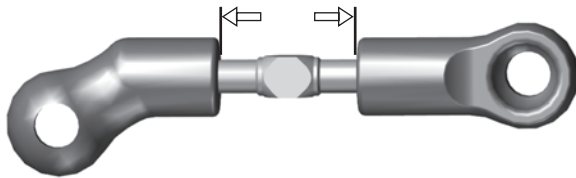
81221 Spring Collar O-Ring, 20mm
81221 Spring Collar, 20mm
81225 V2 Front Spring, Blue (5.50lb/in)
81236 V2 Rear Spring, Green (4.00lb/in)
81512 Spring Cup (1)
25211 3x10mm BHCS (2)

:: Turnbuckles Build - Bag 3.1 - Step 1

Steering Servo Turnbuckle



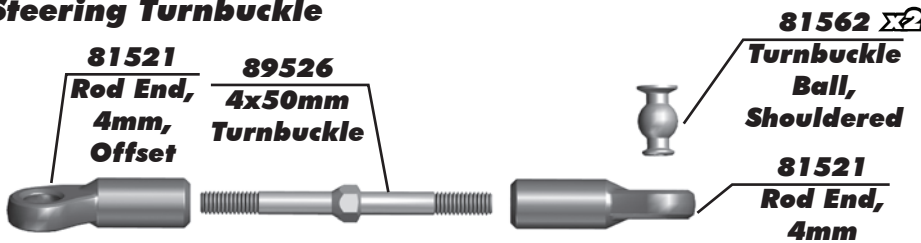
11.50mm (0.45")



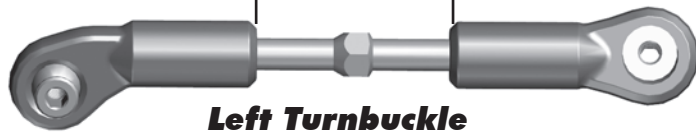
Set aside until page 22

:: Turnbuckles Build - Bag 3.1 - Step 2

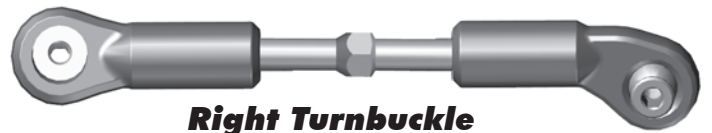
Steering Turnbuckle



25.00mm (0.98")



Left Turnbuckle



Right Turnbuckle



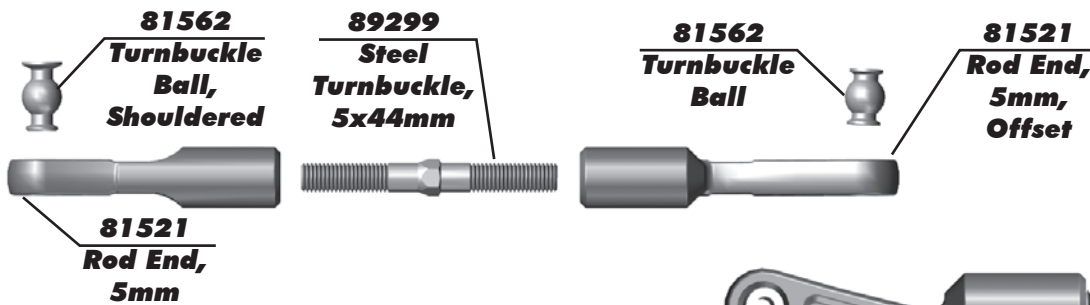
Note the direction of turnbuckle ball



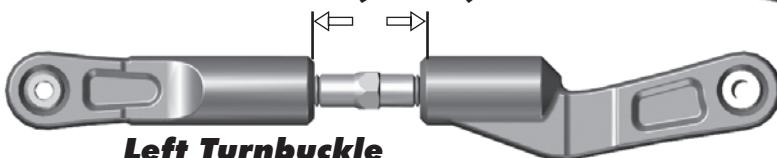
Set aside until page 15

:: Turnbuckles Build - Bag 3.1 - Step 3

Rear Hub Turnbuckle



16.00mm (0.62")



Left Turnbuckle



Right Turnbuckle



Set aside until page 19

:: Steering / Chassis Build - Bag 4.1 - Step 1

81577 RC8B4e Side Guards (1)

31540 x3 3x5mm FHCS

#1596 thread lock

81091 Steering Post (2)

25201 x2 3x8mm FHCS

81569 RC8B4e Chassis (2)

81262 x2 4x10mm FHCS

#1596 thread lock

Loosely attach 3x5mm FHCS and then install 3x8mm FHCS. Tighten after all screws are installed

:: Steering / Chassis Build - Bag 4.1 - Step 2

81084 Servo Saver Tube

81516 Steering Bellcrank

81084 Servo Saver Tube Shim (2)

81083 Servo Saver Spring

81084 Servo Saver Tube Spring Nut & O-Ring

81562 Steering Link Pivot Ball

89202 3x12mm BHCS

#6588 black grease

81516 Servo Saver Arm

#1596 thread lock

Racer's Tip:
Use black grease (#6588) to lube the bellcrank halves before installation!

:: Steering / Chassis Build - Bag 4.1 - Step 3

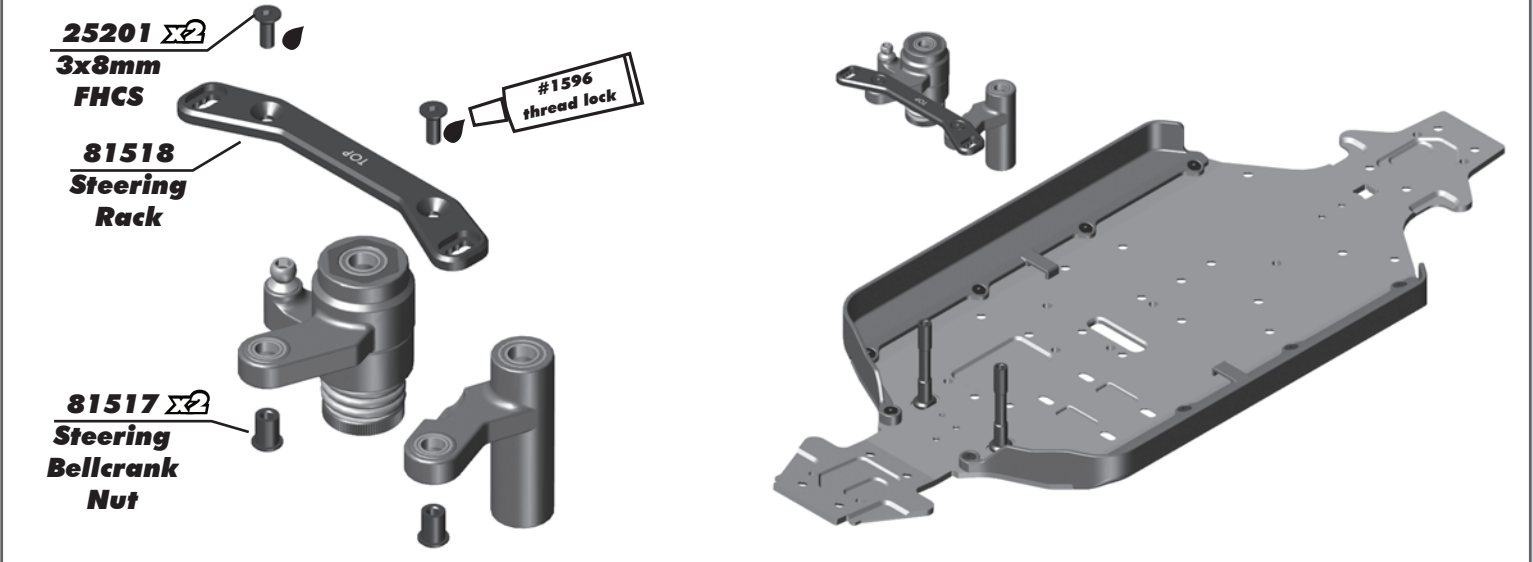
31404 x4 6x10x3mm Bearing

81516 Steering Bellcrank

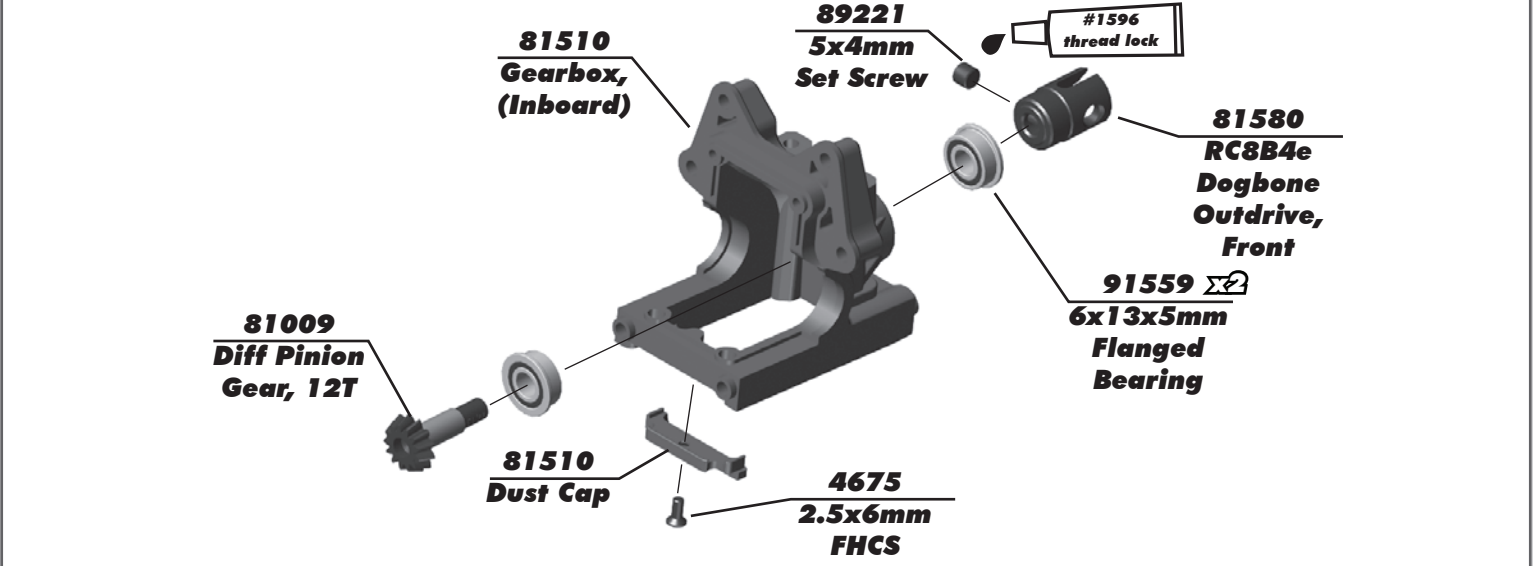
8680 x4 5x8x2.5mm Bearing

1.5mm

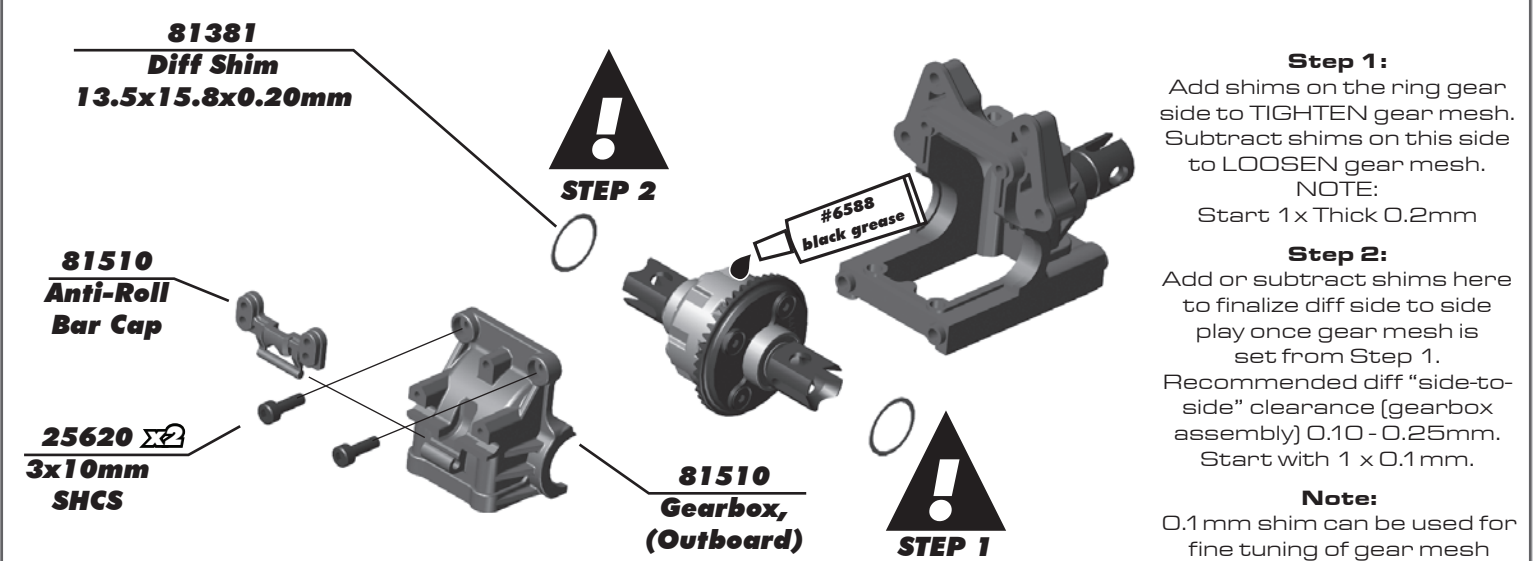
:: Steering / Chassis Build - Bag 4.1 - Step 4



:: Front Gearbox Build - Bag 5.1, 5.2, 5.3 - Step 1



:: Front Gearbox Build - Bag 5.1, 5.2, 5.3 - Step 2



Step 1:
Add shims on the ring gear side to TIGHTEN gear mesh. Subtract shims on this side to LOOSEN gear mesh.
NOTE:
Start 1x Thick 0.2mm

Step 2:
Add or subtract shims here to finalize diff side to side play once gear mesh is set from Step 1. Recommended diff "side-to-side" clearance (gearbox assembly) 0.10 - 0.25mm. Start with 1 x 0.1mm.

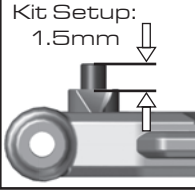
Note:
0.1 mm shim can be used for fine tuning of gear mesh

:: Front Gearbox Build - Bag 5.1, 5.2, 5.3 - Step 3

Kit Setup:



Drop Screw:



Build left and right side!

81520 $\Sigma 2$

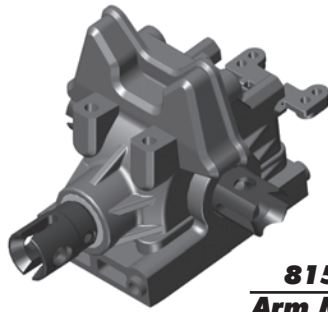
Arm Mount Insert, Center

81567

Arm Mount B

81260 $\Sigma 2$

4x14mm BHCS



81566

Arm Mount A

81260 $\Sigma 2$

4x14mm BHCS

81520 $\Sigma 2$

Arm Mount Insert, Center

81060 $\Sigma 2$

Hinge Pin

89317

Droop Screw

81446 $\Sigma 2$

Suspension Arm Shim

81528

Front Arm, Lower

:: Front Gearbox Build - Bag 5.1, 5.2, 5.3 - Step 4

81512 $\Sigma 2$

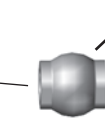
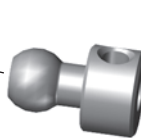
Anti-Roll Bar Link

81585

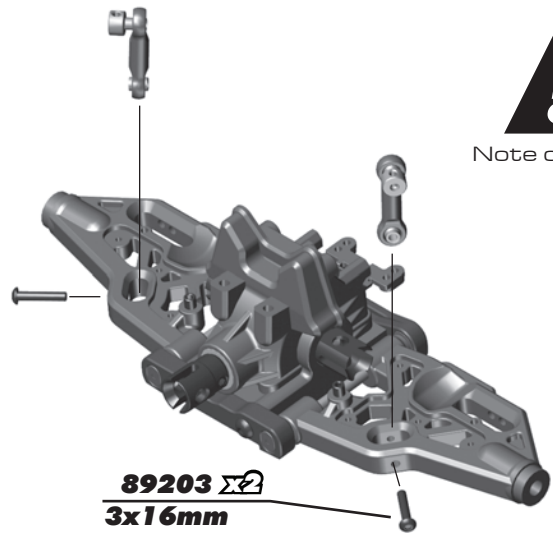
Anti-Roll Bar Pivot

81585

Rod End Ball



Note direction



89203 $\Sigma 2$

3x16mm BHCS

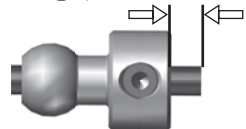
:: Front Gearbox Build - Bag 5.1, 5.2, 5.3 - Step 5



Center the anti-roll bar collet on the anti-roll bar; then tighten the 3x3mm set screw.



Front anti-roll bar gap: 2.0mm



81129

(Front) Anti-Roll Bar, 2.2mm

81585

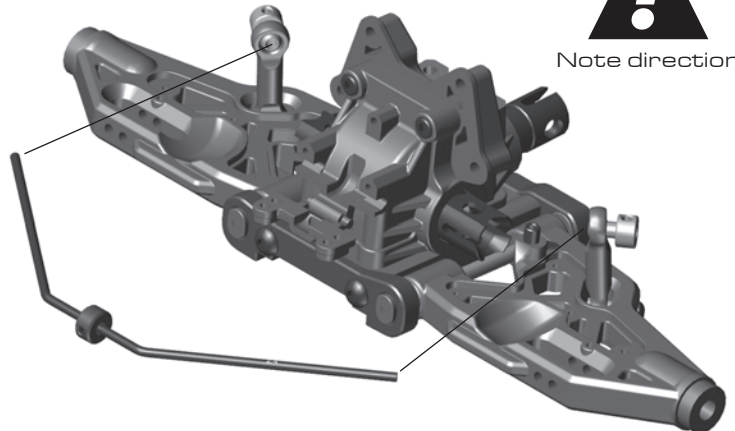
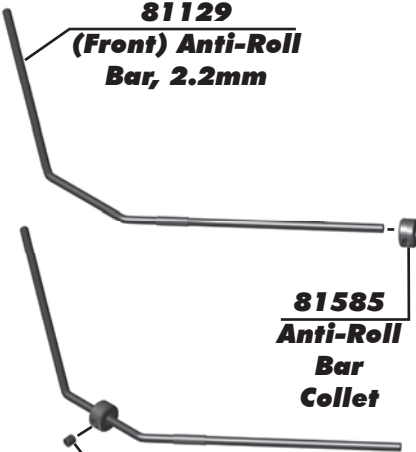
Anti-Roll Bar Collet

25225

3x3mm Set Screw



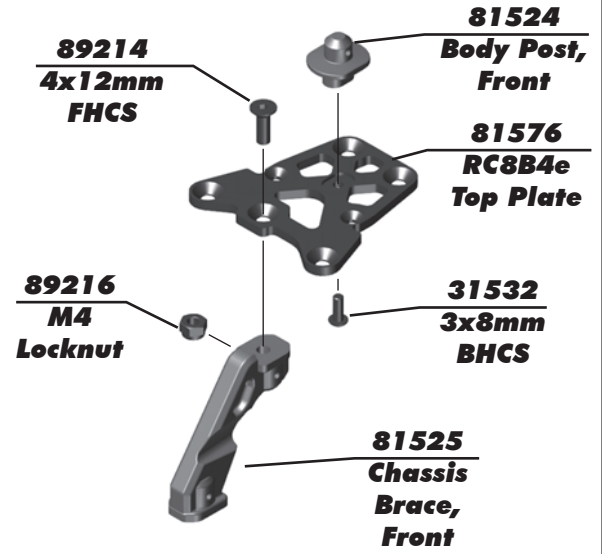
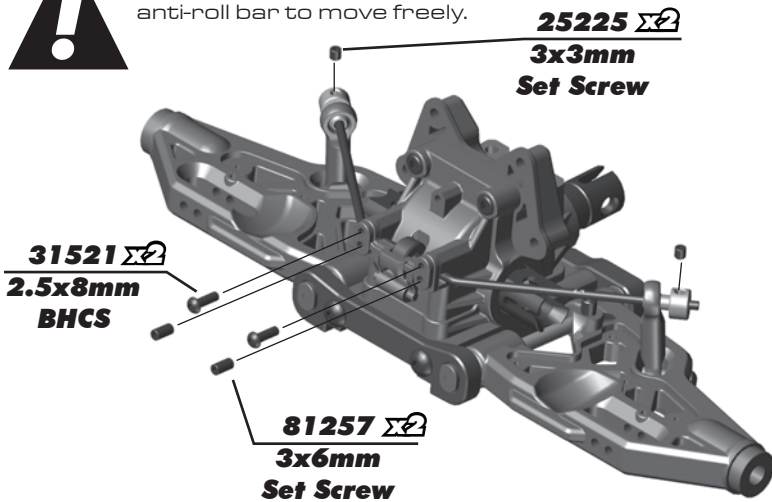
Note direction



:: Front Gearbox Build - Bag 5.1, 5.2, 5.3 - Step 6

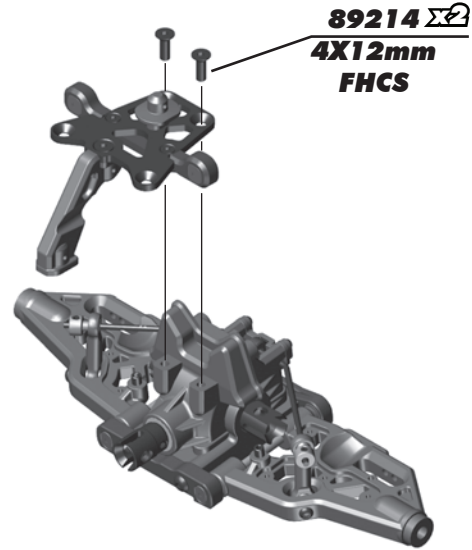
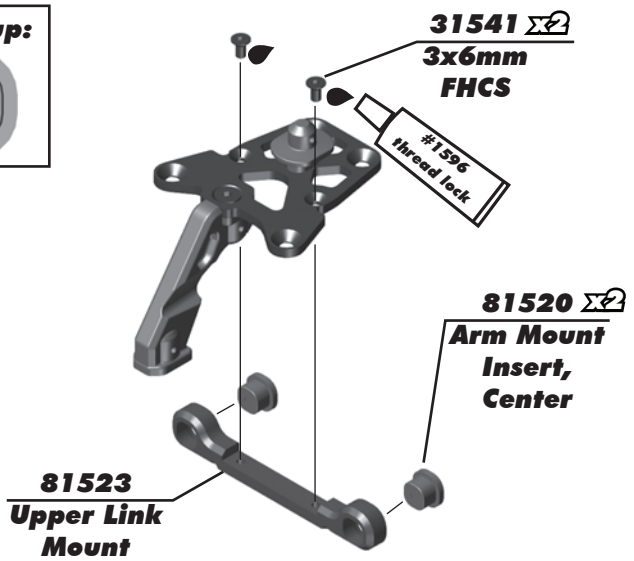


Tighten 3x6mm set screws just enough to still allow the anti-roll bar to move freely.



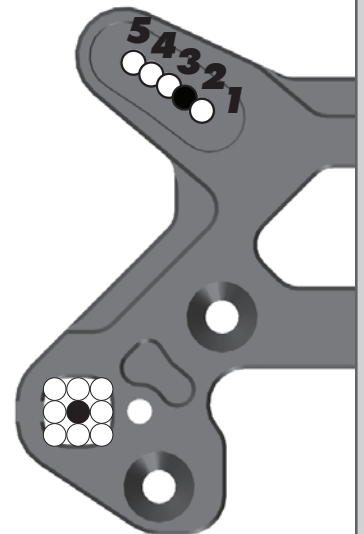
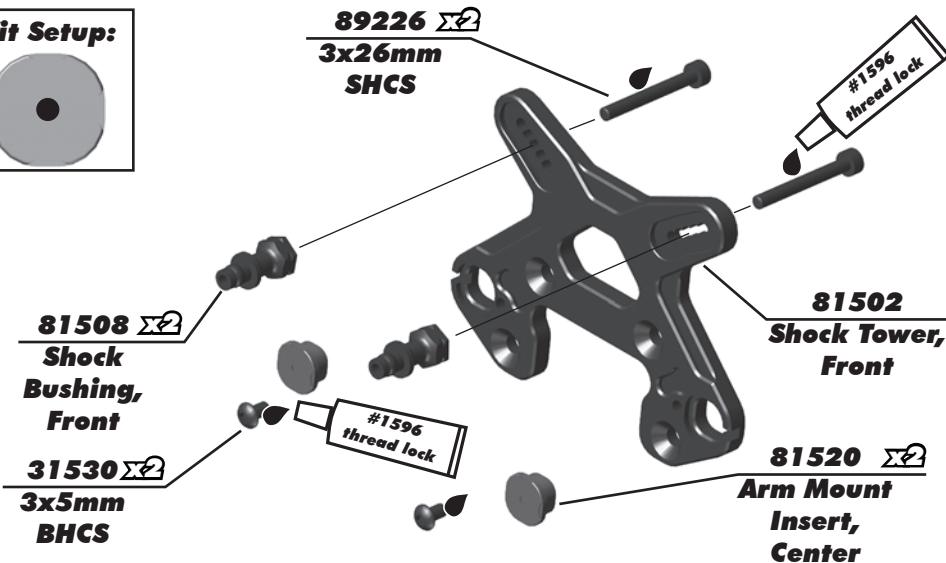
:: Front Gearbox Build - Bag 5.1, 5.2, 5.3 - Step 7

Kit Setup:



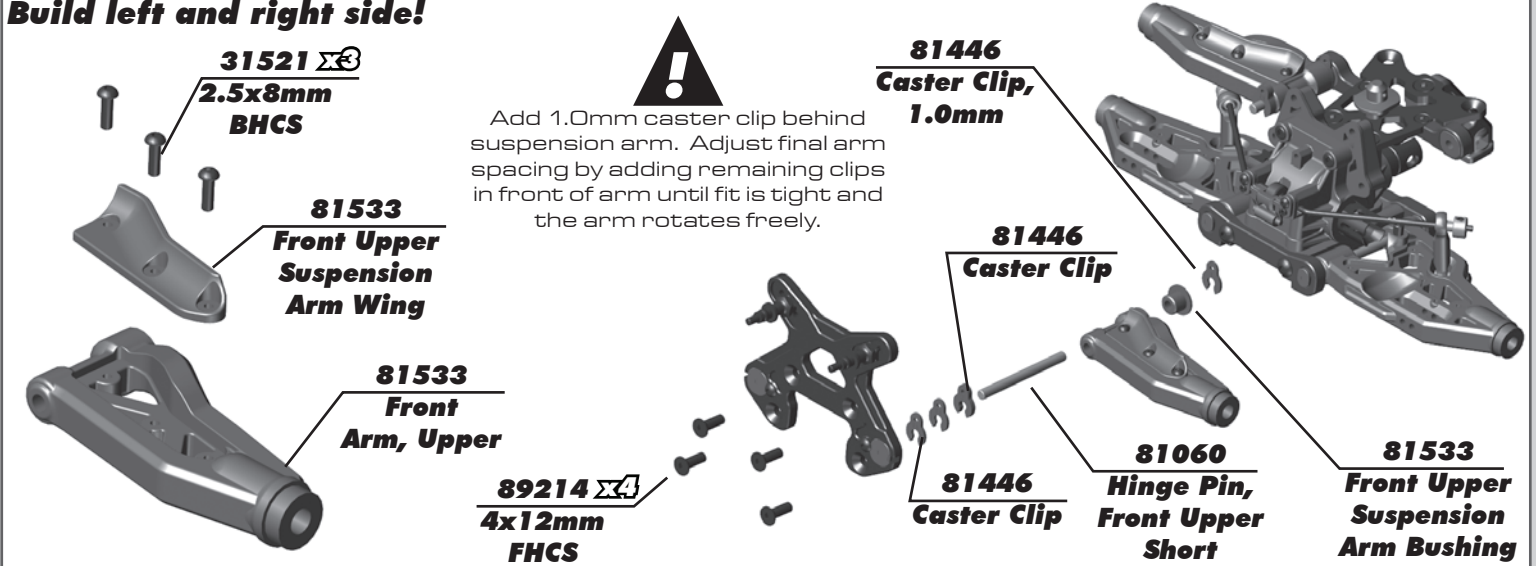
:: Front Gearbox Build - Bag 5.1, 5.2, 5.3 - Step 8

Kit Setup:



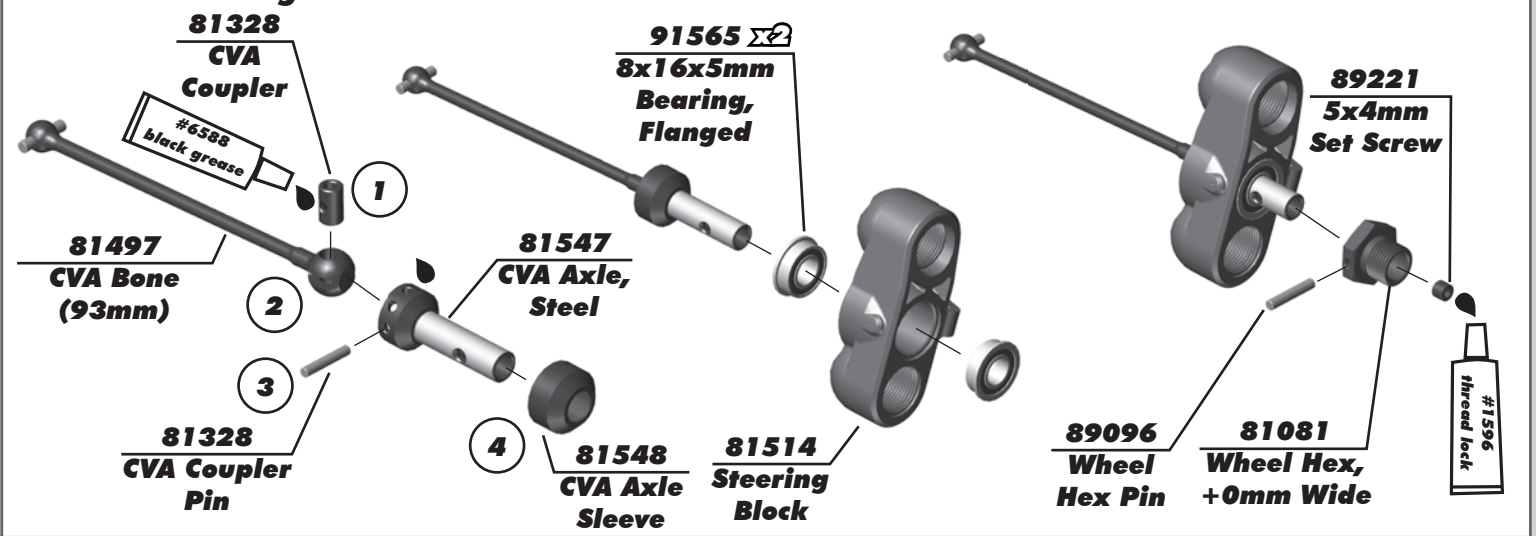
:: Front Gearbox Build - Bag 5.1, 5.2, 5.3 - Step 9

Build left and right side!



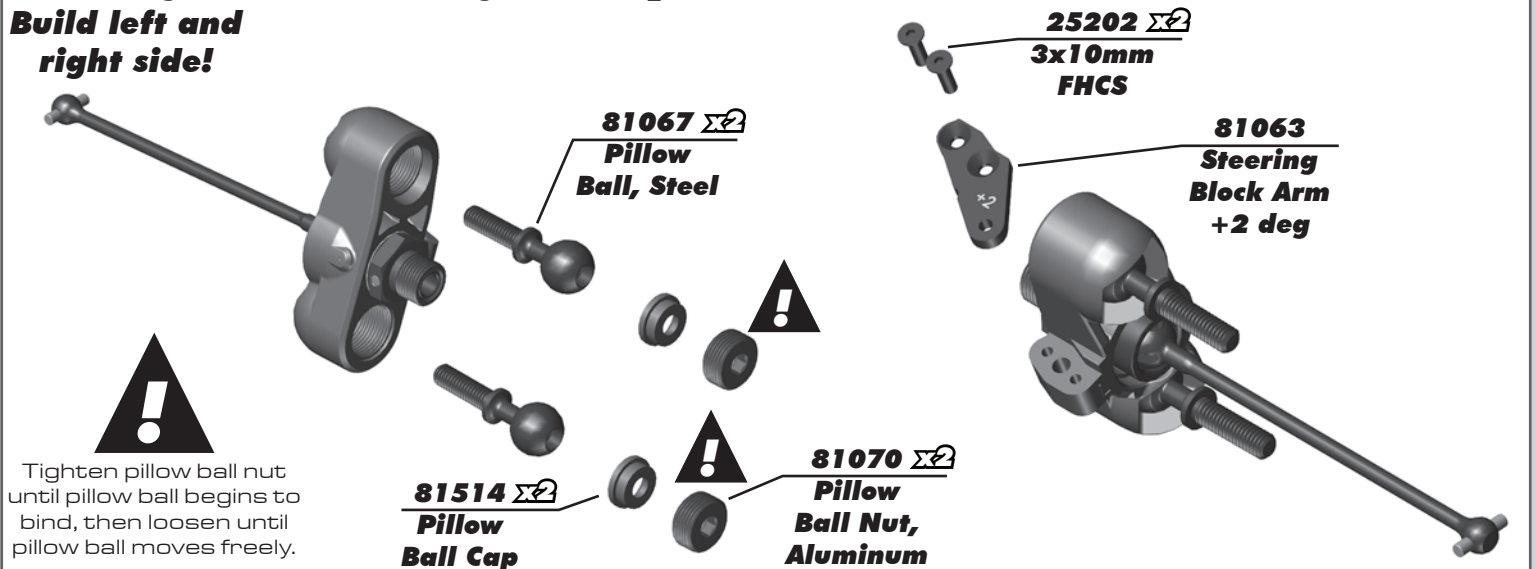
:: Steering Blocks Build - Bag 6.1 - Step 1

Build left and right side!



:: Steering Blocks Build - Bag 6.1 - Step 2

Build left and right side!



:: Steering Blocks Build - Bag 6.1 - Step 3

81056 $\Sigma 2$
Suspension Arm Endcap

81072
Pillow Ball Shim (1.4mm)

81072
Pillow Ball Shim (0.35mm)

25211 $\Sigma 2$
3x10mm BHCS

#1596
Thread lock

Pillow Ball Shims

0.35mm 0.7mm 1.4mm

:: Steering Blocks Build - Bag 6.1 - Step 4

81262 $\Sigma 2$
4x10mm FHCS

89216
M4 Locknut

#1596
thread lock

31532 $\Sigma 2$
3x8mm BHCS

81524
Front Bumper

81264 $\Sigma 2$
4x20mm FHCS

89214 $\Sigma 2$
4x12mm FHCS

89214
4x12mm FHCS

Kit Setup:

1 2 3 TOP 1 2 3

For attaching steering link to steering rack

:: Steering Blocks Build - Bag 6.1 - Step 5

Kit Setup:
Mount the front shock in the outside hole on the front arm.

A B

81257
3x6mm Set Screw

25612
M3 Locknut W/ Flange

81509
Shock Pin

:: Rear End Build - Bag 7.1, 7.2, 7.3 - Step 1

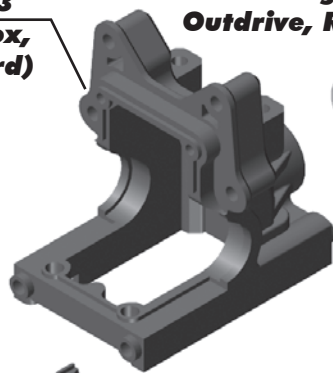


Racer's Tip:
Use black grease (#6588) to lube the diff pinion before installation!

81009
Diff Pinion Gear, 12T



81543
Gearbox, (Inboard)



81581
RC8B4e Dogbone Outdrive, Rear



#1596
thread lock

(not included)

89221
5x4mm
Set Screw

91559 $\Sigma 2$
6x13x5mm
Bearing



81543
Dust Cap



4675
2.5x6mm
FHCS

:: Rear End Build - Bag 7.1, 7.2, 7.3 - Step 2

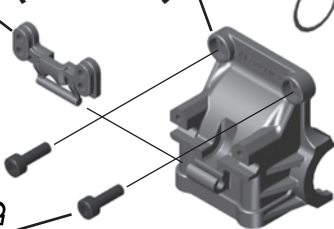
81381
Diff Shim
13.5x15.8x0.20mm



STEP 2

81543
Gearbox, (Outboard)

81543
Anti-Roll Bar Cap



25620 $\Sigma 2$
3x10mm
SHCS

#6588
black grease



STEP 1

Step 1:

Add shims on the ring gear side to TIGHTEN gear mesh. Subtract shims on this side to LOOSEN gear mesh.

NOTE:

Start 1 x Thick 0.2mm

Step 2:

Add or subtract shims here to finalize diff side to side play once gear mesh is set from Step 1.

Recommended diff "side-to-side" clearance (gearbox assembly) 0.10 - 0.25mm.

Start with 1 x 0.1 mm.

Note:

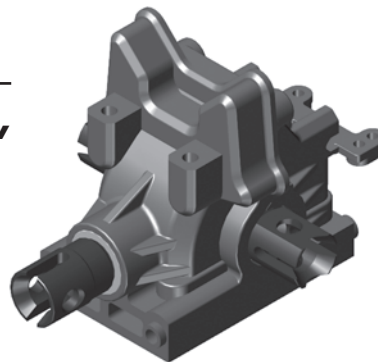
0.1 mm shim can be used for fine tuning of gear mesh

:: Rear End Build - Bag 7.1, 7.2, 7.3 - Step 3

Kit Setup:



81454
Arm Mount, HRC, Narrow (C)



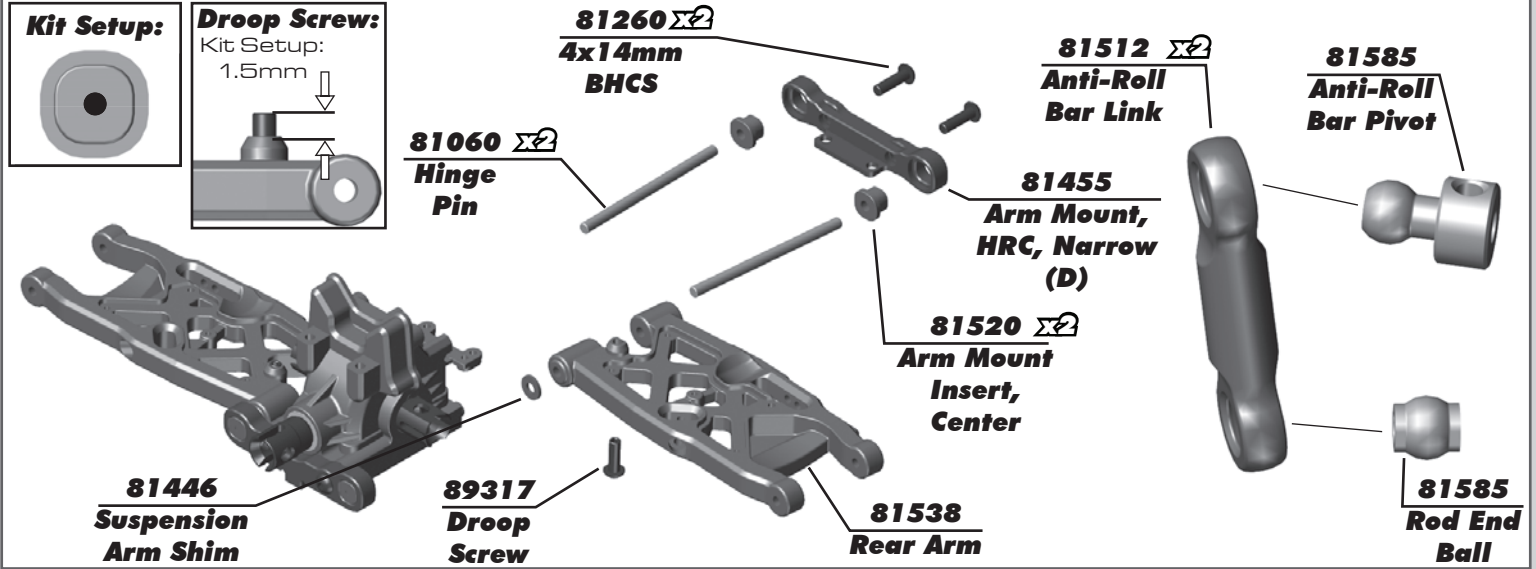
81260 $\Sigma 2$
4x14mm
BHCS



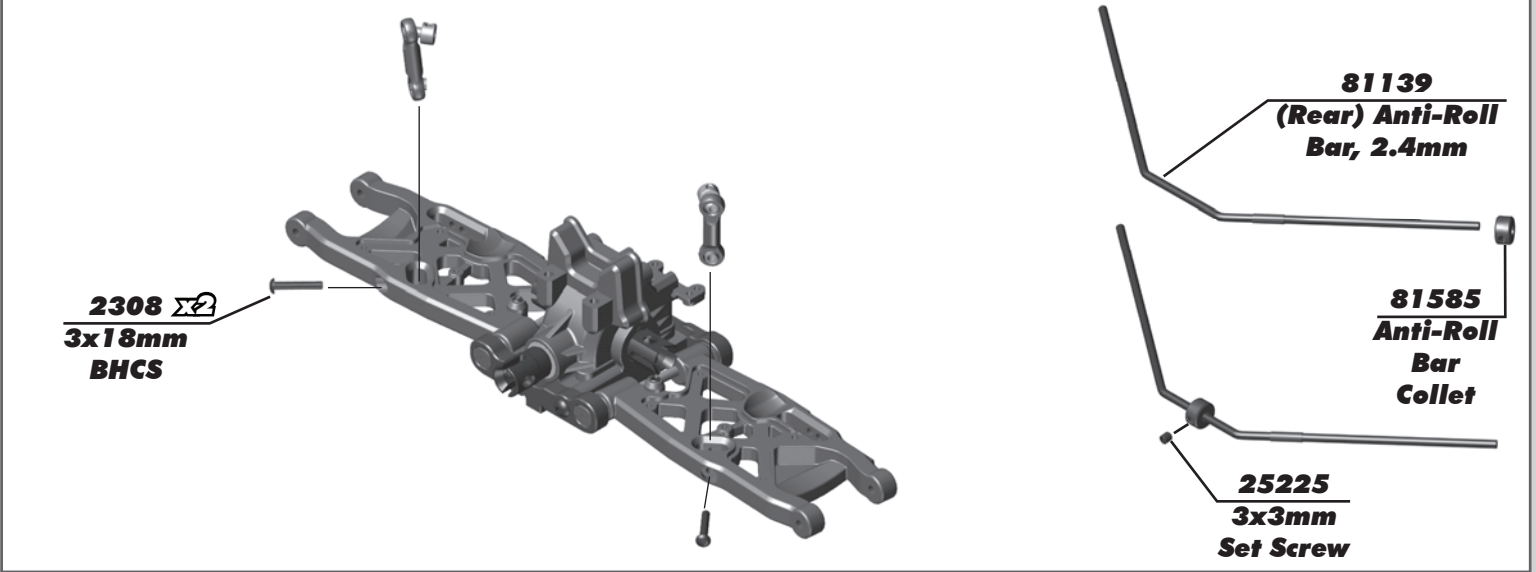
81520 $\Sigma 2$
Arm Mount Insert, Center



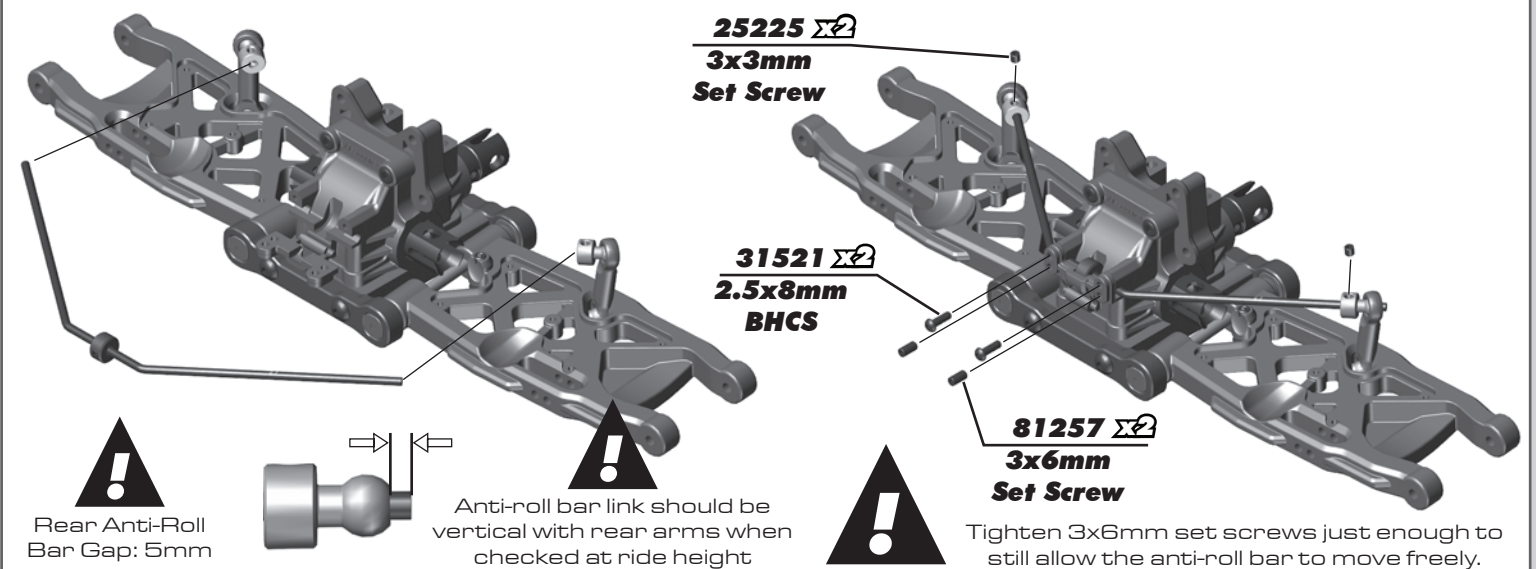
:: Rear End Build - Bag 7.1, 7.2, 7.3 - Step 4



:: Rear End Build - Bag 7.1, 7.2, 7.3 - Step 5



:: Rear End Build - Bag 7.1, 7.2, 7.3 - Step 6



:: Rear End Build - Bag 7.1, 7.2, 7.3 - Step 7



Racer's Tip:

Tune the rear end for more flex with #81562 ball end insert here

31532 x2

3x8mm BHCS

81525 Chassis Brace Insert

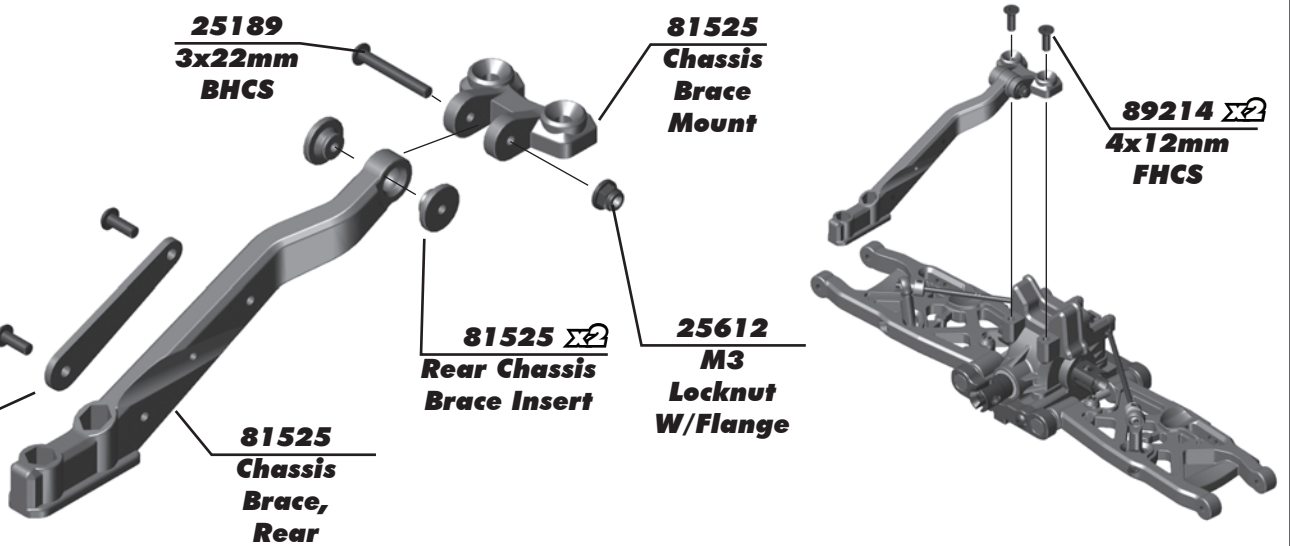
25189
3x22mm BHCS

81525 Chassis Brace Mount

81525 x2
Rear Chassis Brace Insert

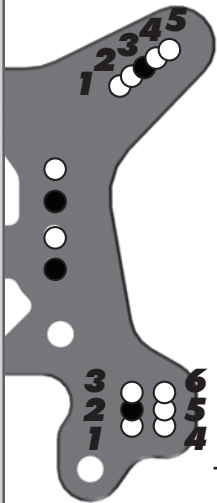
25612
M3 Locknut W/Flange

89214 x2
4x12mm FHCS



:: Rear End Build - Bag 7.1, 7.2, 7.3 - Step 8

Kit Setup:



81508 x2
Shock Bushing

89208
3x14mm FHCS

CHOOSE ONE
Fin adds straight-line stabilization.
Button adds agility in corners.

89208 x2
3x14mm FHCS

81524
Body Post, Rear

81558
Body Post Grommet

81524
Body Post Mount, Rear

41090
3x10mm LP SHCS

89227 x2
3x28mm SHCS

81505
Shock Tower, Rear

81553 x2
Wing Buttons

81553
Wing, Black

81552 x2
Wing Angle Shim, -2

81552
Wing Mount

25215 x2
M3 Locknut



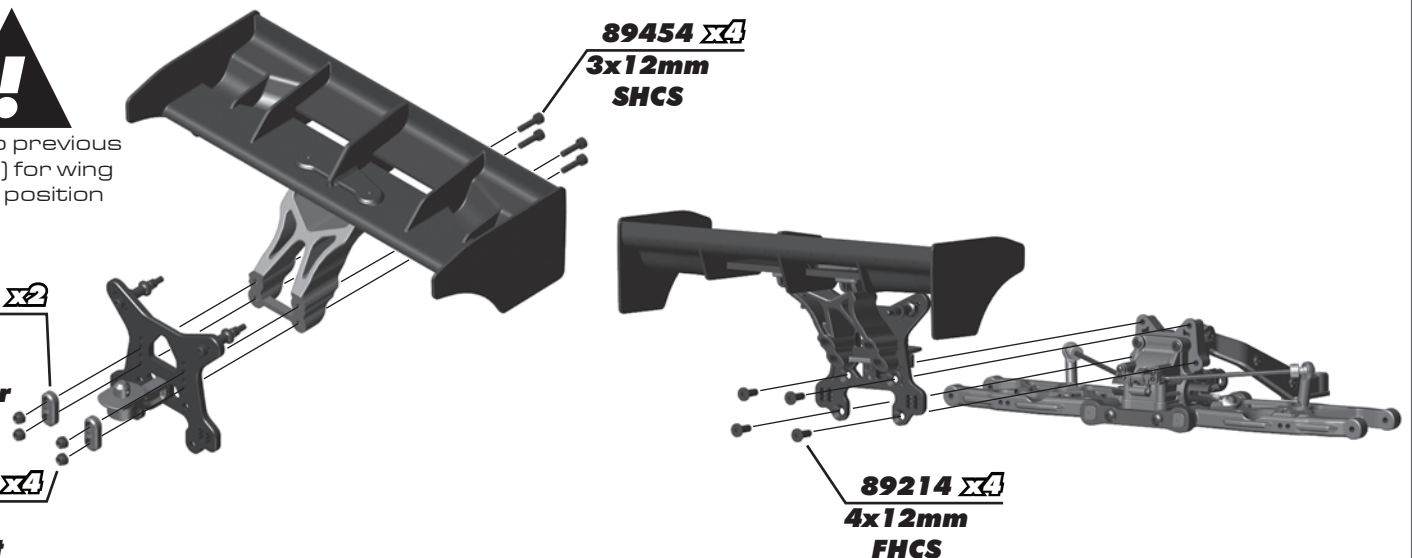
Refer to previous step (8) for wing height position

81552 x2
Wing Mount Adapter

25215 x4
M3 Locknut

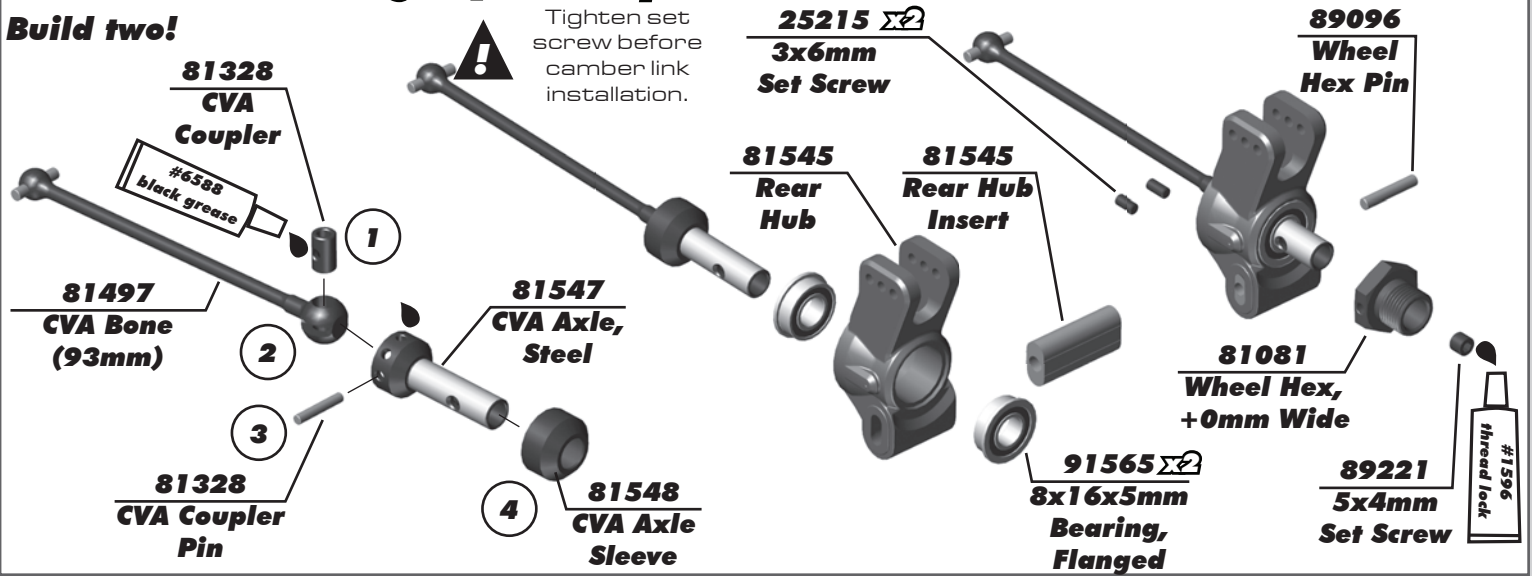
89454 x4
3x12mm SHCS

89214 x4
4x12mm FHCS



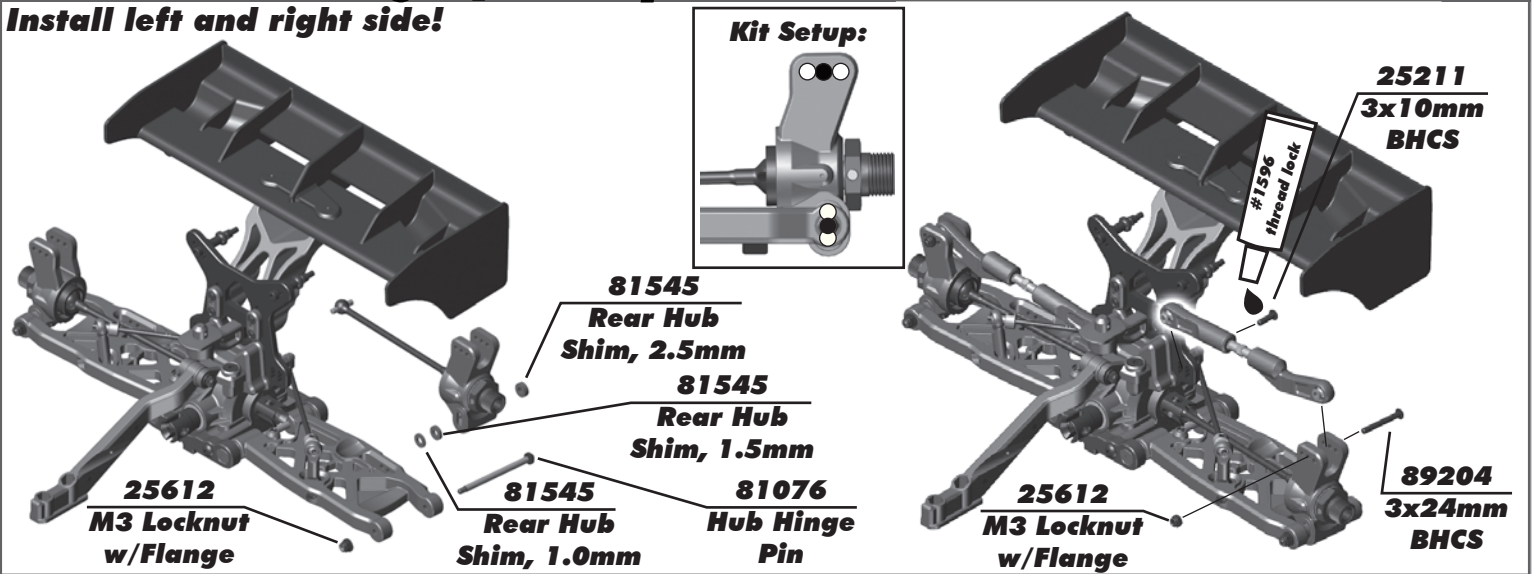
:: Rear Hubs Build - Bag 8.1, 8.2 - Step 1

Build two!



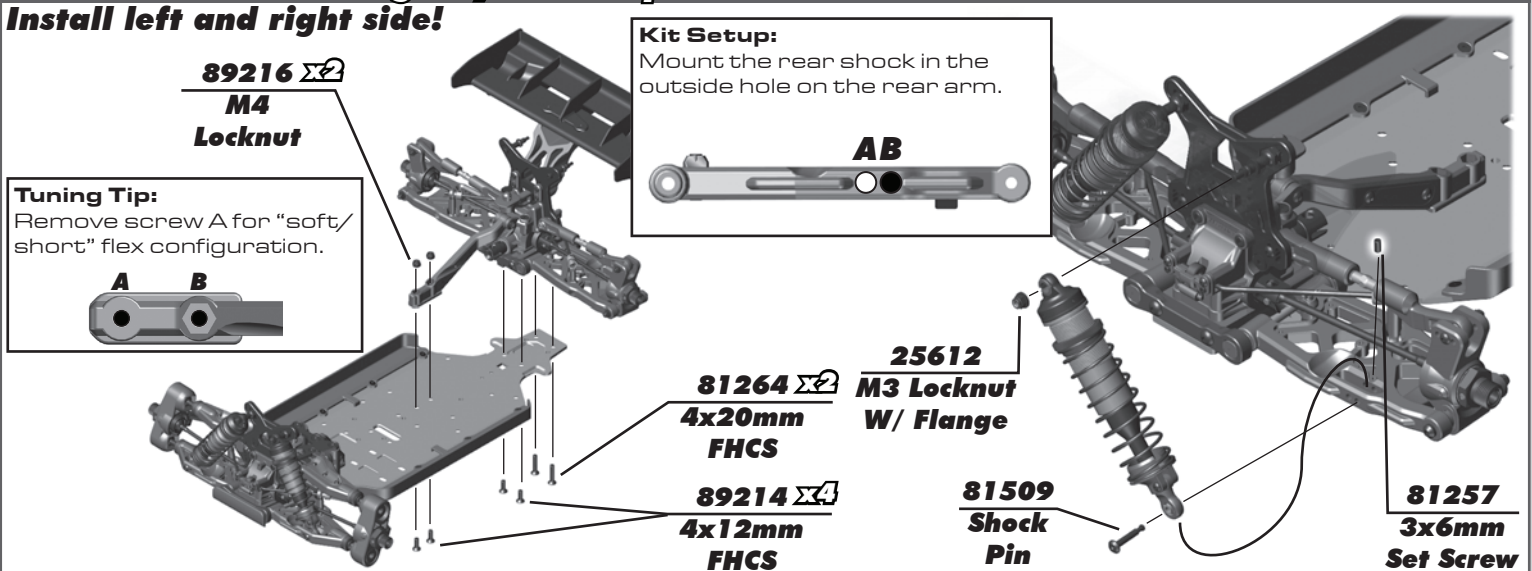
:: Rear Hubs Build - Bag 8.1, 8.2 - Step 2

Install left and right side!



:: Rear Hubs Build - Bag 8.1, 8.2 - Step 3

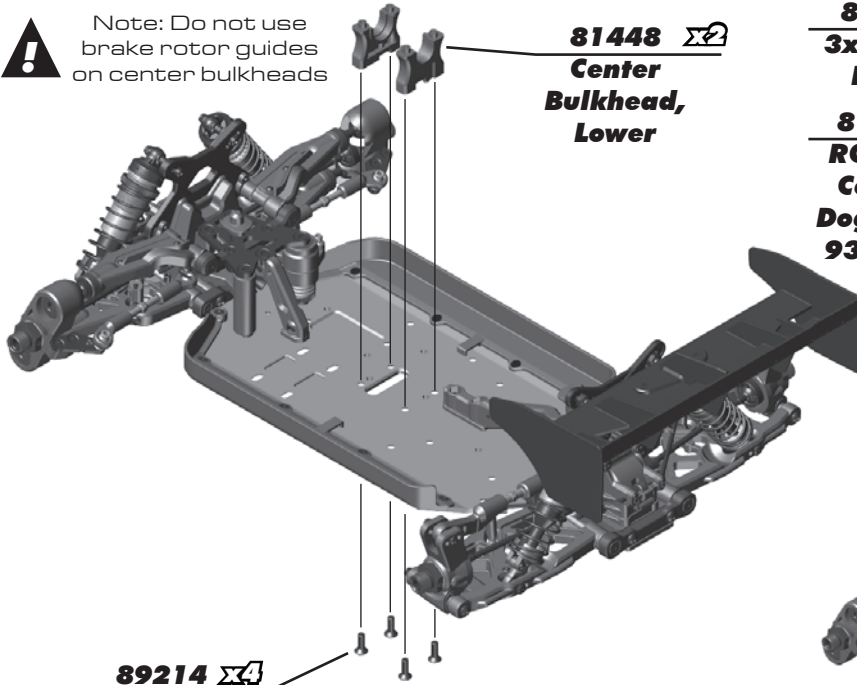
Install left and right side!



:: Center Bulkhead - Bag 9.1 - Step 1



Note: Do not use brake rotor guides on center bulkheads



89214 X4
4x12mm
FHCS

89212 X4
3x30mm
FHCS

81580
RC8B4e
Center
Dogbone,
93.5mm

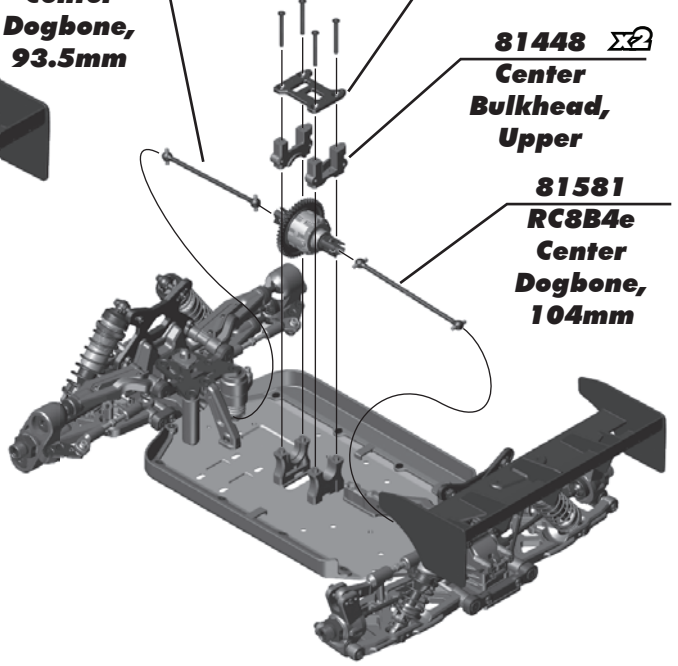
81578
RC8B4e
Front Top
Plate

81448 X2
Center
Bulkhead,
Upper

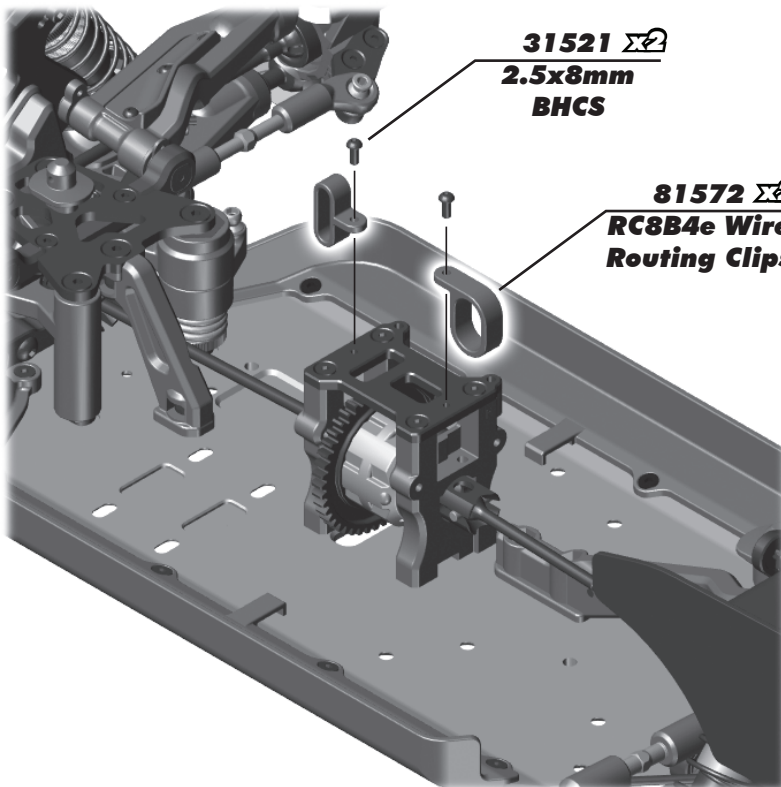
81581
RC8B4e
Center
Dogbone,
104mm



Note: The upper center bulkheads have "F" for front and "R" for rear.



:: Center Bulkhead - Bag 9.1 - Step 2



31521 X2
2.5x8mm
BHCS

81572 X2
RC8B4e Wire
Routing Clips

:: Center Bulkhead - Bag 9.1 - Step 3

81582 x2
RC8B4e
Motor Mount,
Lower

81114 x4
Engine Mount
Washer

81262 x4
4x10mm
FHCS

#1596
thread lock

89454 x4
3x12mm
SHCS

#1596
thread lock

81582 x2
RC8B4e
Motor Mount,
Upper

Optional!
30mm fan
(not included)

!

Fan, motor, and pinion
not included.
If installing a fan, attach
before installing motor
mounts.
Hardware not included.
Maximum screw depth 4mm.

:: Radio Tray Build - Bag 10.1, 11.1 - Step 1

41094 x4
3x14mm
LP SHCS

(not included)

31518
2.5x4mm
FHCS

(not included)

81572
RC8B4e
Receiver
Box, Lower

81572
RC8B4e
Receiver Box
Wire Clip

81572
RC8B4e
Servo Mount
Wire Clip

!

Install servo mount wire clip
1st, then the receiver box to
the chassis

4675
2.5x6mm
FHCS

89214 x2
4x12mm
FHCS

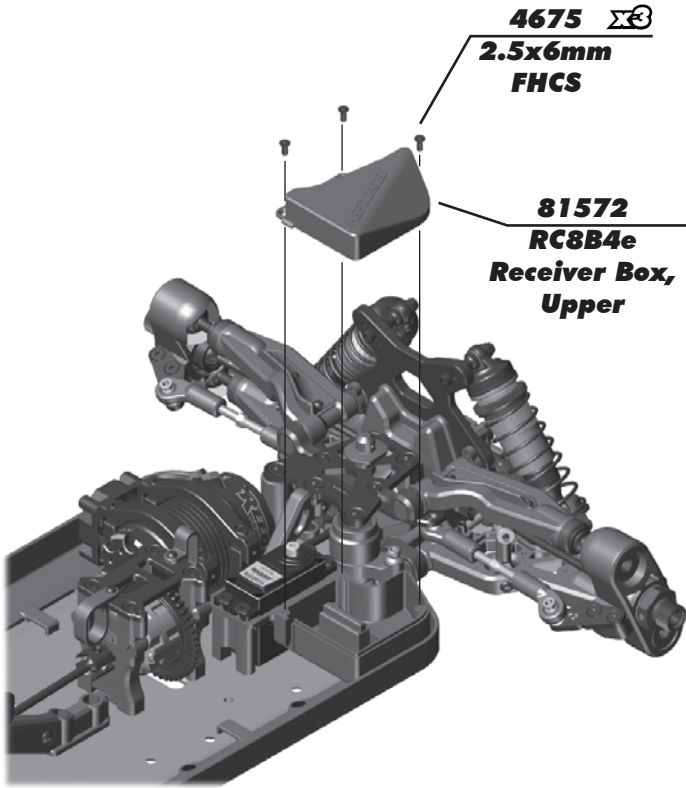
1

2

1

2

:: Radio Tray Build - Bag 11.1 - Step 2



Spline Count



Printed here

23T

25T

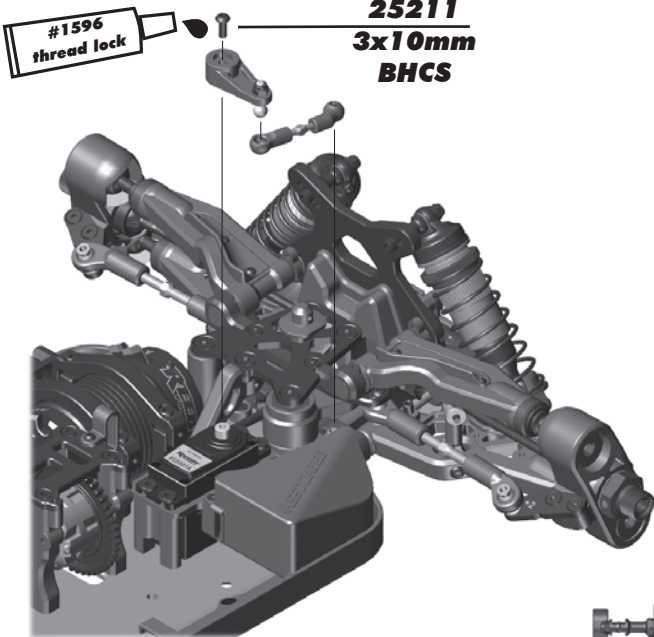
81556
Servo Horn
(Steering)

25215
M3
Locknut

81556
Servo Horn
Insert

91048
HD Ball
Stud, 8mm

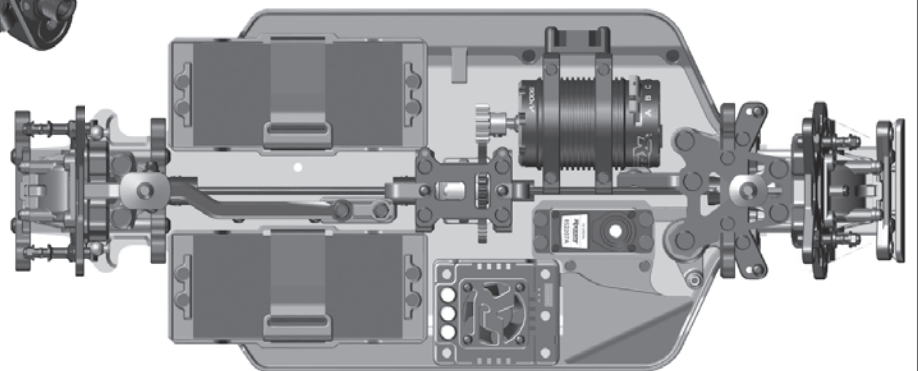
:: Radio Tray Build - Bag 11.1 - Step 3



To build RC8B4e for use with two 2s shorty battery packs in a "saddle" configuration, follow the steps below.

To build RC8B4e for use with onme 4s shorty battery pack, continue to "Battery Tray Build - Bag 12.1 - Step 2"

2s Shorty Pack Configuration



:: Battery Tray Build - Bag 12.1 - Step 1

(not included)

6727
Servo
Tape

81572
ESC Tray

81574 $\Sigma 2$
Battery
Tray Spacer

81584
Hook and
Loop Strap

25201 $\Sigma 4$
3x8mm
FHCS

81574
Battery
Tray

89216 $\Sigma 4$
M4
Locknut

81262 $\Sigma 2$
4x10mm
FHCS

81262 $\Sigma 4$
4x10mm
FHCS

!
Use 2s
shorty
battery
only

:: Battery Tray Build - Bag 12.1 - Step 2

89216 $\Sigma 2$
M4
Locknut

(ESC not included)

6727
Servo
Tape

81572
ESC Tray

81262 $\Sigma 4$
4x10mm
FHCS

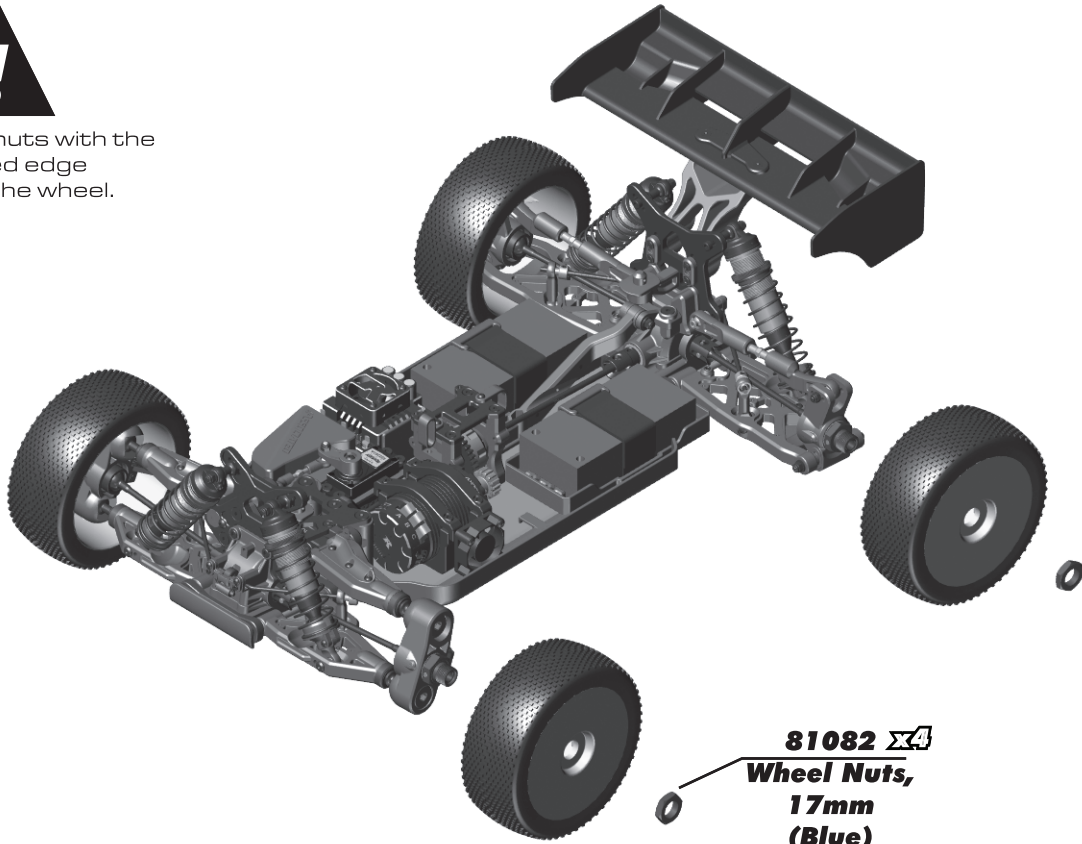
!
Use 4s
shorty
battery
only

4s Shorty Pack
Configuration

:: Wheels / Tires / Body - Misc. - Step 2

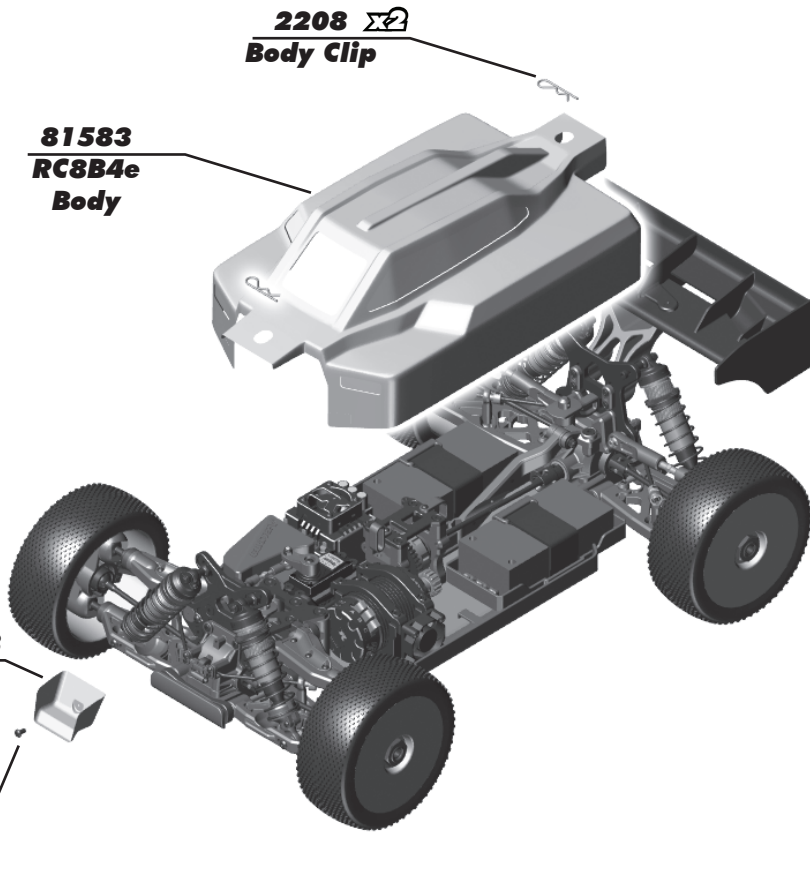


Install wheel nuts with the serrated edge towards the wheel.



81082 x4
Wheel Nuts,
17mm
(Blue)

:: Wheels / Tires / Body - Misc. - Step 3



2208 x2
Body Clip

81583
RC8B4e
Body

81583
Nose
Cone

31531
3x6mm
BHCS

Painting Tips:

Your kit comes with a clear polycarbonate body. You will need to prep the body before you can paint it. Wash the inside thoroughly with warm water and liquid detergent. Dry the body using a clean, soft, lint-free cloth. Install the window masks on the inside of the body. (R/C cars get painted from the inside). Using high quality masking tape, apply tape to the inside of the body to create a design. Spray (either rattle can or airbrush R/C specific paint) the paint to the inside of the body (preferably dark colors first, lighter colors last).

NOTE: use ONLY paint that is recommended for use with (polycarbonate) plastics. If you do not, you can destroy the polycarbonate body!!!

After painting, cut the body along the trim lines. Make sure to drill or use a body reamer to make the holes for the body mounts and antenna!

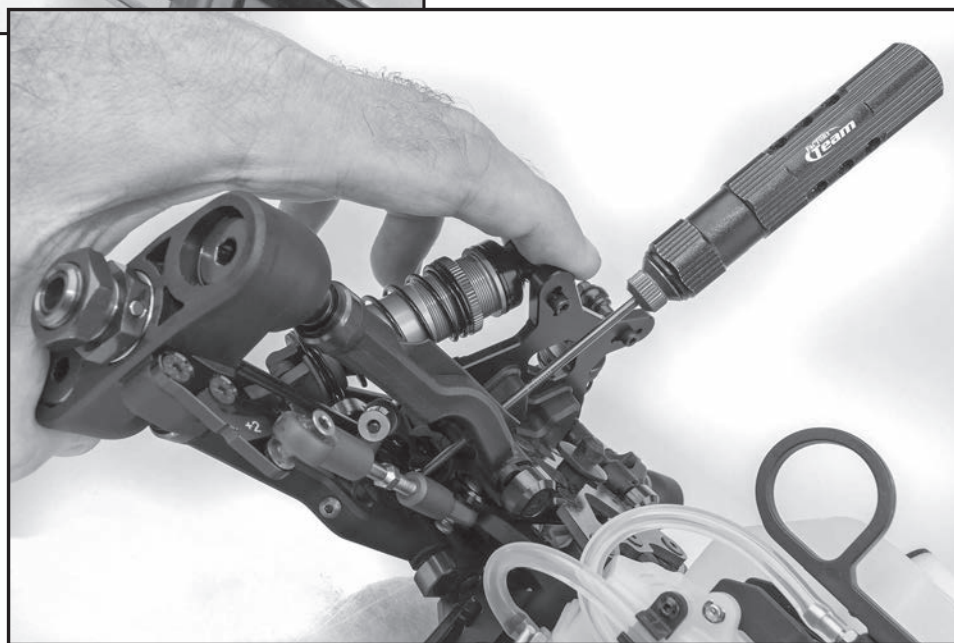
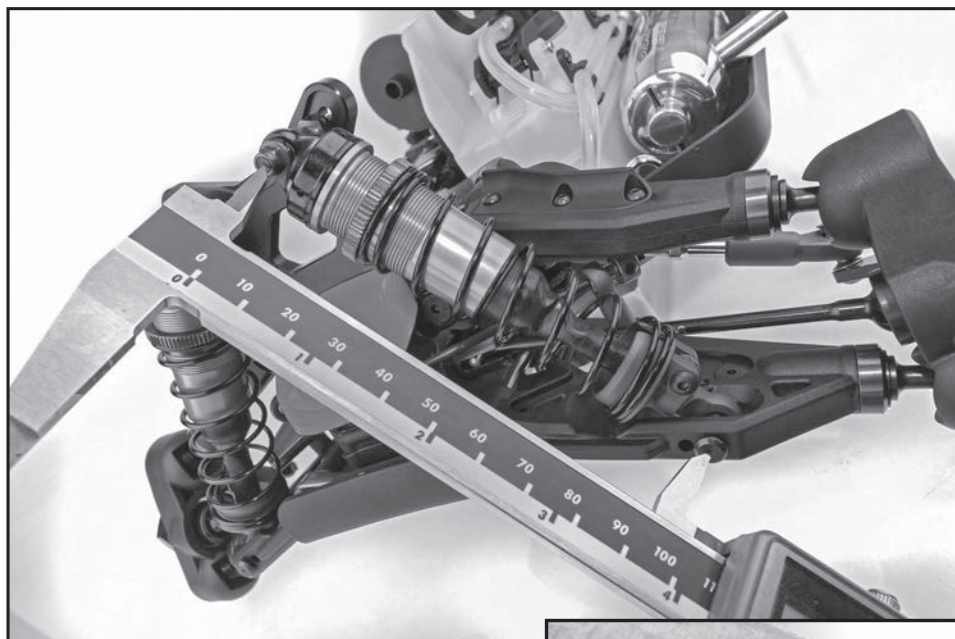
:: Droop Settings

Set droop by measuring overall length of shock (from standoff to shock pin) while the chassis is elevated above your working surface. The shocks should be fully extended.

Kit setup for front droop is 105mm shock length, and 126mm shock length for the rear.

If the shock length is too long, adjust by turning the droop screws clockwise.

If the shock length is too short, adjust by turning the droop screws counter-clockwise.



Front Droop: Increasing front droop (loosen droop screws) will increase off-throttle steering. It also allows the front end to lift more, giving more rear grip and less front grip on-power. Remember to never loosen the screws beyond the FULL DROOP setting. Decreasing front droop (tighten droop screws) yields more on-power steering and quicker response at the expense of some stability in bumpy sections. It will also give less off-throttle steering.

Rear Droop: Increasing rear droop (loosen droop screws) will increase traction in bumpy sections, but will reduce high-speed stability. Remember to never loosen the screws beyond the FULL DROOP setting. Decreasing rear droop (tighten droop screws) will increase stability in high speed sections, but will reduce stability in bumpy sections.

Setup Sheets:

To find different setups for your kit, visit our website, <https://www.associatedelectrics.com/teamassociated/> and click on the "Setup Sheets" link, and then the link to your model. Our team of professional drivers help develop these setups at races worldwide. Additionally, most drivers have a "base" setup that they use as a starting point for most races. Try running some of our base setups or look for track conditions and tires that are similar to your local track and replicate that setup. Remember, each adjustment has a purpose, so copy everything from the setup sheet and then make adjustments based on the recommendations in here.

CARS & TRUCKS



Vehicle Spare Parts GO TO:

AssociatedElectrics.com →
Team Associated tab →
Cars & Trucks →
Scroll to your vehicle →
Parts & Accessories link

SETUP SHEETS & MANUALS



Setups and Manuals GO TO:

AssociatedElectrics.com →
Team Associated tab →
Manuals & Setups →
Scroll to your vehicle

A-TEAM APPS



Tuning Guides & Tips GO TO:

AssociatedElectrics.com →
Support →
A-Team Apps



Associated Electrics, Inc.

21062 Bake Parkway Lake Forest, CA 92630 USA

call: (949) 544-7500 - fax: (949) 544-7501

**Check out the following web sites for all of our kits, current products,
new releases, setup help, tips, and racing info!**

www.AssociatedElectrics.com

FOLLOW US ON SOCIAL MEDIA



**TeamAssociated
ReedyPower
ElementRC**



**@TeamAssociatedRC
@ReedyPower
@Element_RC**



**@Team_Associated
@ReedyPower**