

Bent & Broken Bicycles: Leveraging synthetic data for damaged object re-identification

Original

Bent & Broken Bicycles: Leveraging synthetic data for damaged object re-identification / Piano, Luca; Pratico', FILIPPO GABRIELE; Russo, ALESSANDRO SEBASTIAN; Lanari, Lorenzo; Morra, Lia; Lamberti, Fabrizio. - STAMPA. - (2023), pp. 4870-4880. (Intervento presentato al convegno IEEE/CVF Winter Conference on Applications of Computer Vision (WACV) 2023 tenutosi a Waikoloa (USA) nel 03/01/2023 - 07/01/2023) [10.1109/WACV56688.2023.00486].

Availability:

This version is available at: 11583/2972208 since: 2023-06-06T19:58:58Z

Publisher:

IEEE

Published

DOI:10.1109/WACV56688.2023.00486

Terms of use:

This article is made available under terms and conditions as specified in the corresponding bibliographic description in the repository

Publisher copyright

(Article begins on next page)

Bent & Broken Bicycles: Leveraging synthetic data for damaged object re-identification

Luca Piano, Filippo Gabriele Praticò, Alessandro Sebastian Russo, Lorenzo Lanari, Lia Morra, Fabrizio Lamberti

Department of Control and Computer Engineering, Politecnico di Torino, Torino, Italy

{luca.piano, filippogabriele.prattico, alessandrosebastian.russo}@polito.it,

lorenzo.lanari@studenti.polito.it, {lia.morra, fabrizio.lamberti}@polito.it

Abstract

Instance-level object re-identification is a fundamental computer vision task, with applications from image retrieval to intelligent monitoring and fraud detection. In this work, we propose the novel task of damaged object re-identification, which aims at distinguishing changes in visual appearance due to deformations or missing parts from subtle intra-class variations. To explore this task, we leverage the power of computer-generated imagery to create, in a semi-automatic fashion, high-quality synthetic images of the same bike before and after a damage occurs. The resulting dataset, Bent & Broken Bicycles (BB-Bicycles), contains 39,200 images and 2,800 unique bike instances spanning 20 different bike models. As a baseline for this task, we propose TransReI3D, a multi-task, transformer-based deep network unifying damage detection (framed as a multi-label classification task) with object re-identification. The BBBicycles dataset is available at <https://tinyurl.com/37tepf7m>

keywords instance-level retrieval; re-identification; synthetic data; damage detection; transformers

1. Introduction

Deep learning has fueled unprecedented advances in tasks such as person re-identification (ReID) [14, 60, 29, 44, 9], vehicle ReID [24, 17] and instance-level object retrieval [64, 3, 7, 54, 49]. The availability of suitable datasets for training and testing ReID systems is a key ingredient to this success. Existing ReID benchmarks, typically focusing on persons [56, 63, 28] and vehicles [30, 31], are limited in size and variety. Even when they include a large number of IDs [30, 56], they generally cover a limited geographical area (e.g., a town or campus circuit) and time window (e.g., a few hours or days). For this reason, the community has recognized the potential of synthetic data for tasks

such as person detection, tracking, and ReID [14, 3]. In addition to the sheer volume of generated data, synthetic generation can increase its variety in terms of background, illumination, weather, pose, etc., so that deep neural networks (DNNs) can incorporate all the invariances needed to generalize in real-world conditions.

In the spirit of pursuing even more robust object ReID, we wish to investigate whether it is possible to make DNNs invariant not only to changes in the environment, but also to changes in the object visual appearance, such as those that could occur due to aging, degradation, damages, or removable/interchangeable parts. Long-term ReID requires the ability to distinguish stable properties over time to account, e.g., for changes in person clothing [47, 19] or seasonal changes in places [32]. Here, we propose the novel task of **damaged object re-identification**, which aims to identify the same object in multiple images even in the presence of breaks, deformations, and missing parts. Besides the theoretical interest, robust object ReID is motivated by practical applications like, e.g., fraud detection and smart contracts in the insurance domain [35].

As a benchmark for this task, we propose to focus on the study of bicycles, which are characterized by challenging intra-class variations and at the same time allow for a wide range of realistic deformations. Unlike landmarks that have unique and distinctive features, bike instances must be separated based on subtle cues (e.g., color, texture, or stickers). Deformations are inherently different from occlusions, since object parts are visible but with changes in shape (deformation) or texture (e.g., due to mud, dirt, or rust). Therefore, the insights collected from BBBicycles could be useful for other ReID tasks (e.g., vehicle, person), with similar challenges for long-term ReID. Since acquiring real images of the same bicycle before and after deformation would be prohibitively challenging, we took advantage of computer graphics to generate the Bent & Broken Bicycles (BBBicycles) dataset, which we release as the first dataset for train-

ing and testing DNNs for damaged object ReID.

Our **contributions** can be summarized as follows:

- We design a semi-automatic computer graphics pipeline to simulate different types of damage, breaks, missing parts, and material deterioration. Extensive domain randomization is further employed to train deep networks robust to variations in bicycle pose, background, etc. [51, 50].
- We release the BBBicycles dataset containing 39,000 annotated images. BBBicycles allows DNNs to (learn to) differentiate subtle intra-class variations (including different setups of the same bike model) from deformations occurring due to incidents, or aging.
- We propose TransReID3D (Transformer-based object Re-Identification & Damage Detection), a novel transformer-based multitask DNN for joint damage detection (DD) and ReID.

2. Related work

2.1. Transformer-based re-identification

Object ReID is the task of identifying the same object across multiple images, regardless of its pose, illumination, or context. It has many important applications such as intelligent monitoring [24, 59], multi-object tracking and robotics [35, 27], fraud detection [26], etc. The reader is referred to many comprehensive surveys for an introduction to this vast body of literature [64, 24, 7]. In recent years, the Vision Transformer (ViT) architecture [12] has sparked a new wave of transformer-based architectures for many computer vision tasks [23]. Transformer-based ReID solutions can be broadly categorized in *hybrid transformer-CNN* [18, 60, 29] and *pure ViT-based* architectures [17, 49].

Hybrid architectures combine CNNs as a feature extractor with a transformer-based module that tackles the matching and metric learning problem [29, 49, 60, 18]. This approach leverages, on the one hand, CNNs hard inductive biases (e.g., translation equivariance) to work effectively on small- to medium-scale datasets. On the other hand, transformers enable cross-attention mechanisms between pairs of query and gallery images [29, 49]. For instance, the Reranking Transformer [49] concatenates image patches from both the query and gallery images in a single sequence, which is then fed to a final classifier predicting the probability of two images representing the same object.

More recently, a variety of pure transformer-based approaches have achieved state-of-the-art results in several ReID tasks [45, 66, 44, 17]. Compared to CNNs, transformers are better suited to handling long-range dependencies and avoid the use of downsampling operators (e.g., pooling and strided convolutions) that may obscure important visual

details [17]. The available architectures are typically based on a ViT backbone, pre-trained on very large-scale datasets such as ImageNet21K, and modified to extract both local and global features [66, 17, 45].

2.2. Synthetic data in deep learning

The use of synthetic data is becoming increasingly popular for training machine and deep learning models. Although it is being experimented in multiple domains like, e.g., bioinformatics [43], natural language processing [54], etc., this approach is indeed expected to bring the largest benefits to the field of computer vision. Synthetic data generation is not only an effective approach to scale data generation and annotation, it can also be used to evaluate the robustness of an algorithm under controlled conditions or to alleviate data privacy issues [61, 9].

A recent survey categorized hundreds of synthetic datasets and the use cases they have been devised for [37]. Initially used to address low-level computer vision tasks such as optical flow [33], synthetic datasets are increasingly used to generate training datasets for high-level tasks such as, e.g., object recognition and detection [38], pose estimation [52], segmentation [34], human action recognition [10] and pedestrian tracking and ReID [55, 14]. Works in this field typically build onto well-known repositories, including millions of virtual models with known categories or properties, which can be programmatically manipulated to automate both data generation and its labelling [5, 25]. Popular approaches for collecting synthetic data also include the use of video games [42, 8, 48, 40, 36], or fusing real and virtual data via compositing techniques and placing, e.g., virtual models onto real background images [13].

One of the main challenges associated with synthetic data is the domain shift between real and synthetic images, which can be tackled through transfer learning or domain adaptation [21, 46, 62]. *Domain randomization* is a technique used to enhance the variability of synthetic data and has been shown to substantially increase performance in the real world [51]. With ever increasing CGI fidelity, the synthetic-to-real domain gap is progressively reducing. Recent exciting results showed that training DNNs on very large and diverse synthetic datasets can outperform using public real datasets on tasks such as pedestrian tracking and ReID, even without fine-tuning on real data [14].

3. Dataset

This section describes the semiautomatic CGI pipeline designed to generate the BBBicycles dataset, together with its main properties and distribution.

3.1. CGI Pipeline

The CGI pipeline, depicted in Figure 1, consists of two main phases. The first phase is model preparation, which

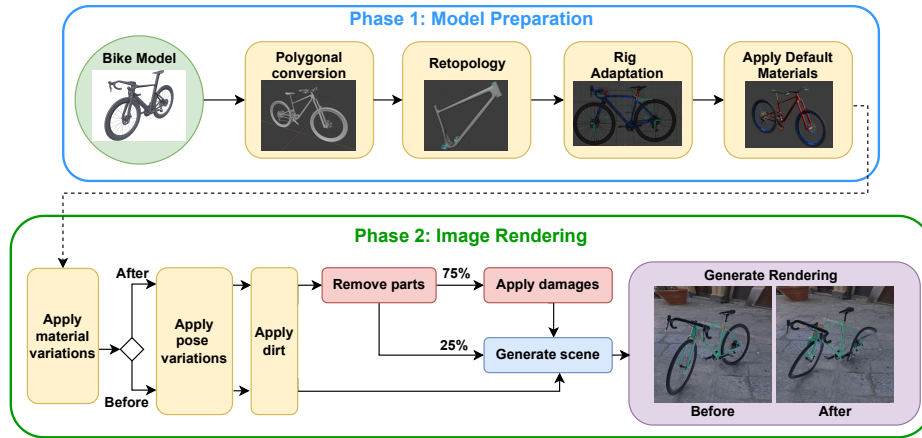


Figure 1: Flowchart illustrating the CGI pipeline. The 3D model is manually prepared (Phase 1) so that it can be easily manipulated by a semi-automatic image rendering script (Phase 2). The script first selects the material textures and colors, thus obtaining a new bike instance (ID). For each ID, multiple images (“before” and “after” the damage) are generated, simulating damages (missing parts, bent and broken frames, etc.) with varying probabilities. Finally, the scene is generated by placing the bike onto a random background.

is mostly manual and performed once for each bike model. In the second phase, a semi-automatic script generates a set of rendered images, depicting multiple views and variations of a given input bike, along with labeling and segmentation information. We sought to create a pipeline that could be applied to generate new datasets with limited human effort and hardware resources. Following this philosophy, we sacrificed some degree of photorealism in favor of reduced rendering time and increased variability. Damages and deformations were implemented based on the classical CGI technique of 3D polygonal meshes armature deformation. This approach was preferred to, e.g., physics simulations, since it drastically reduces the overall rendering time while maintaining control over the output features desired in terms of missing parts, type of damage, etc. The whole pipeline was implemented in Blender v2.93 [1] and the automatic procedure was scripted in Python as a custom add-on.

Model preparation. The input can be either a 3D parametric model (e.g., CAD file) or a polygonal mesh. In the former case, a polygonal conversion is first required to generate a polygonal model. To ensure visually plausible deformations, a retopology operation has to be performed in order to obtain *quad-flow* based topologies with proper vertex density in the parts that will later be subject to deformation. Afterwards, the model is rigged and skinned (i.e., each vertex is associated with a deformation tool of the rig). To make the model easily controlled, we defined a *template rig* that needs to be adapted to the given bike model. The template rig is made up of an “armature”, “lattices”, and “rail guides” (examples are shown in Appendix A).

More in detail, the template **Armature** includes three groups/layers of “bones”. The red bones are linked to the seat and handlebar meshes (rigid-body movement). The green bones, placed in the salient parts/joints, are used as inverse kinematic controls (targets and poles) by the blue chains. The latter are the so-called deformation bones; only this group was modified by adding/removing bones, if required by the peculiarities of the bike model. These deformation chains are the ones used for the bike frame mesh skinning, whereas other parts (e.g., seat, handlebars, and wheels) are parented (bone relatively) to the dedicated bones of the other two groups. A set of predefined deformations were devised in the form of a pose library to both change the poses of the movable bike components and introduce damages while rendering the images.

The **Lattice** is a three-dimensional non-renderable grid of vertices, a.k.a. deformation cage. Lattices are a convenient way of proportionally deforming a dense mesh with fewer control points since, by deforming the cage, the deformation will be transferred to the associated mesh. The lattices were used to damage the wheels. A set of deformations was devised also in this case in the form of a shape key (a.k.a. blend shape) library. Additionally, **Rail guides** were used to break the bike frame exploiting a boolean mesh operation on a plane that takes the guides as reference.

Domain randomization and image rendering. After the 3D model is arranged as described, it is possible to automatically render a variety of different pictures, as described in the following. First, the 3D model is configured by randomly selecting a set of materials (texture, color, and de-

cals) from the material library. A physically based rendering (PBR) material library was defined, from which to pick a suitable material, among several possible choices, for each bike part. A given combination of 3D model and materials corresponds to a single bicycle instance and is therefore assigned a unique ID. Second, for each ID, multiple images are generated, “before” or “after” a damage occurs, by applying the following transformations: i) changing the pose of mobile parts (seat, handlebar, pedals and wheels); ii) (optional) applying mud or rust; iii) (optional) damage simulation; iv) point of view selection; and v) background and lighting selection. All deformations are applied randomly with predetermined probabilities and/or ranges. Possible damages include removal of one or more parts of the bike (seat, pedals, handlebar, and wheels), bent frame, broken frame, and wheel deformation.

Finally, the rendered bike must be placed onto a suitable background, adjusting for the specific lighting conditions. The approach considered in the pipeline takes advantage of the LilyScraper [2], a Blender add-on to use a High Dynamic Range Imaging (HDRI) map as background and light source, in combination with a shadow-catcher plane. The setup of the environment and the lighting was performed once for all models.

3.2. BBBicycles characteristics

Dataset distribution. The final dataset contains a total of 39,200 images from 2,800 unique IDs (20 models, 140 IDs each). 20 models retrieved from dedicated marketplaces were prepared, including 6 MTBs, 1 Enduro, 6 Road bikes, 1 Circuit, 1 Gravel and 5 Cruiser (following the categorization introduced in [41]). For the textures, we collected five patterns of various styles. Both the base and pattern colors were randomly chosen from a pool of 50 colors. Additionally, 10 different decals containing logos from famous bike brands such as *Bianchi* and *Cannondale* were randomly applied. The background was selected from a pool of 11 different 360° HDRIs, varying bike positioning and illumination by rotating the camera.

For each bike ID, up to 14 renderings were generated, evenly divided in “before” and “after” images as shown in the flowchart (Figure 1). For “before” images, only dirt or rust was applied with 20% probability. For “after” images, dirt/rust was applied with 50% probability, damages to the frame were applied with 75% probability (25% were bent, 25% were broken and 25% were both bent and broken), and finally each removable part (seat, pedals, handlebar, and wheels) was removed (50% probability) or deformed (50% probability). Thus, some of the “after” images are not damaged. Labels for the ReID task were automatically generated based on the bike unique ID assigned by the pipeline.

Training, validation, and stress test set. The dataset was split into a training, validation, and test set at the level of bike ID and model to test DNNs’ ability to generalize both across IDs and across models. The validation set includes both models seen and unseen during training, whereas the (stress) test set includes only models that were never seen in either the training or validation set, to ensure that it is sufficiently challenging and representative of real operating conditions. Specifically, the training set contains 25,676 images (1,834 IDs, 14 models), the validation set contains 1,128 images (564 IDs, 12 models), and the stress test contains 840 images (420 IDs, 3 models).

Real dataset. A separate dataset of real photos of damaged and undamaged bikes was also collected to test the ability of TransReID3D to generalize to the real domain. We combined a subset of the publicly available DelftBikes dataset [22] with images collected by web scraping from popular search engines and e-commerce sites. The images were manually labeled following the same criteria as those used for the synthetic dataset. A total of 6,292 images were collected, of which 106 presented a Bent (64) or Broken (52) frame. The dataset was split into train, validation and test with a 7:1.5:1.5 split, stratified by damage type.

4. Methodology

Problem setting We assume that the training set D consists of N sequences of synthetic images $D = \{(x_i^1, \dots, x_i^M)\}_{i=1}^N$, where all images x_i^j in a sequence are associated with the same ID i and represent the same bike instance. We additionally assume that each image is associated with a set of binary attributes, each representing the presence of a specific kind of damage ($a_i^j \in \mathcal{A} = \{BD, BK, P_n\}$); P_n indicates whether the n^{th} part is present or missing. Given D , our aim is to learn an embedding space $x_i^j \in \mathbb{R}^{h \times w \times ch} \mapsto e_i^j \in \mathbb{R}^m$ such that all images associated with a given ID i are closer in the embedding space than other IDs, regardless of the attributes a_i^j . We further define the DD task as predicting the values of a_i^j (multi-label binary classification). At inference time, a query image is compared against the gallery, and the correct ID must be retrieved on the basis of the embedding distance. We assume that the damaged bikes are the queries, inspired by applications in the insurance domain (fraud detection).

TransReID3D architecture The TransReID3D architecture for joint DD and ReID, shown in Figure 2, builds on the TransReID [17] architecture, which achieved state-of-the-art performance among ViT-based models for vehicle ReID, and enriches it with an additional multi-label DD branch.

The TransReID architecture [17] builds on the ViT architecture [12], but includes additional components to cap-

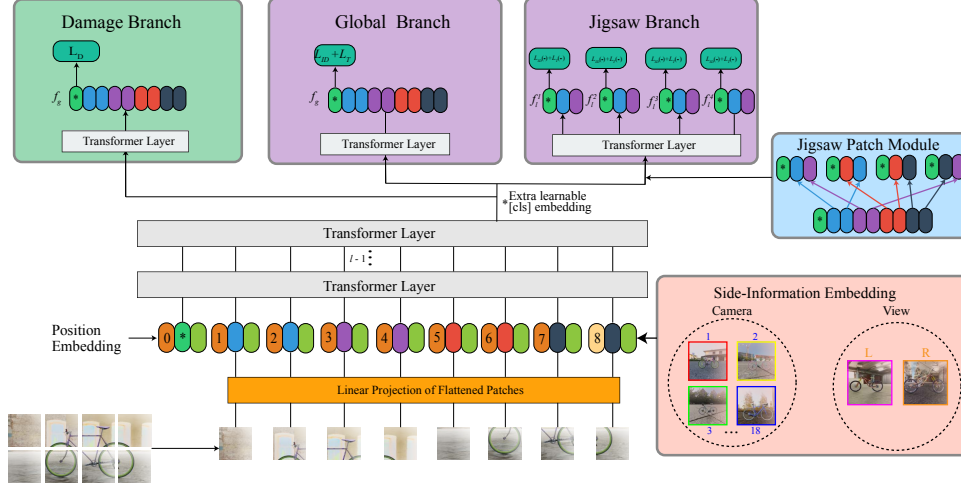


Figure 2: TransReI3D architecture. Embeddings are enriched with position and camera information (side information embedding). A learnable $[cls]$ token is prepended to the embeddings which are input to a shared backbone. Task-specific branches (DD branch, Global ReID branch and Jigsaw Branch with JPM) include a separate transformer layer to adapt global features to each task. The Jigsaw Module, \mathcal{L}_{ID} , and \mathcal{L}_T are described in [17].

ture more robust and fine-grained features. Specifically, the Side Information Embedding (SIE) module encodes non-visual information such as camera or viewpoint, and is input to a transformer encoder together with learnable patch and position embeddings. The global ReID branch and the Jigsaw branch then jointly learn the ReID task, encoding global (f_g) and local (f_l) features, respectively. The Jigsaw branch is based on the Jigsaw Patch Module (JPM), which shuffles all patches and regroups them into several groups, all of which are input to a shared transformer layer to learn local features f_l , as detailed in [17].

Damage branch and multi-task learning. Multi-task learning is implemented using one shared transformer backbone and an additional separate transformer layer for each task [39, 57]. The DD branch is a multi-label classifier with seven output heads: two for Bent and Broken frame labels, and five for missing parts (front wheel, rear wheel, seat, handlebar or pedals). Each output head takes as input the $[cls]$ token and passes it through a batch normalization (BN) layer followed by a fully connected (FC) layer. TransReI3D combines two tasks, one executed on image pairs (ReID) and one executed on individual images (DD). In addition, the ReID task is not defined for real images. For this reason, a multi-task diversion mechanism was implemented which selects the tasks that need to be executed upon the extracted features of each training batch. Hence, synthetic images are forwarded to all branches, whereas real images are directed to the DD branch only.

Loss computation. The loss combines the ReID loss, including global and local features, with the DD loss:

$$\mathcal{L} = \alpha \mathcal{L}_{ID}(f_g) + \beta \mathcal{L}_T(f_g) + \gamma \mathcal{L}_D(f_g^a, f_g^p, f_g^n) + \frac{1}{k} \sum_{j=1}^k \left(\mathcal{L}_{ID}(f_l^j) + \mathcal{L}_T(f_l^j) \right) \quad (1)$$

where \mathcal{L}_T and \mathcal{L}_{ID} are the triplet loss and the ID cross-entropy loss (which treats each ID as a separate class, as defined in [17]), \mathcal{L}_D is the DD loss, and k ($= 4$) is the number of classification heads of the JPM branch. All loss components are calculated on the $[cls]$ token (f_g : global branch, f_l : Jigsaw branch). To compute \mathcal{L}_T , triplets are online sampled from each batch with hard negative and positive mining.

\mathcal{L}_D is a weighted binary cross-entropy loss:

$$\mathcal{L}_D = \lambda \mathcal{L}_{BD}(\cdot) + \mu \mathcal{L}_{BK}(\cdot) + \nu \frac{1}{n} \sum_{j=1}^n (\mathcal{L}_{P_n}(\cdot)) \quad (2)$$

where \mathcal{L}_{BD} and \mathcal{L}_{BK} refer to the Bent and Broken frame labels losses, and \mathcal{L}_{P_n} to the $n = 5$ specific missing parts losses. In the case of real images, for the sake of simplicity we consider only \mathcal{L}_{BD} and \mathcal{L}_{BK} .

Domain adaptation. In the baseline, TransReI3D is trained on BBBicycles and tested on the real data set, without adaptation or fine-tuning. We further explored different domain adaptation strategies. For *supervised domain adaptation*, we simply leveraged the multi-task training strategy to train the model on real and synthetic data. For

unsupervised domain adaption, we experimented with the well-known domain adversarial technique DANN [15] and with partial domain adaptation PADA [4]. Experiments with PADA were motivated by the observation that BBBicycles includes a wider range of bike models and setups compared to the real dataset, and therefore forcing the feature distributions to align could lead to negative transfer. PADA assumes that the target domain contains different labels than the source, whereas in our setting DD labels are the same (additionally, all labels are binary given the multi-label setting). Therefore, we introduced the auxiliary task of bike model classification (model information is available for synthetic images); PADA exploits these predictions to enhance the contribution of (samples of) bike models that are present both in the synthetic and real datasets. Further details are available in Appendix B.

5. Experimental settings

TransReI3D Training and hyper-parameter settings.

All images were resized to 256×256 , and normalized with the mean and standard deviation calculated on the synthetic training set. Data augmentation was performed with random color- and texture-preserving transformations (horizontal flip, crop, blurring, and gaussian noise). Each image was split into overlapping 16×16 patches, with patch stride set to 12×12 . Batches containing either real or synthetic images were alternated, and the real dataset was iterated twice per epoch to counterbalance the smaller size.

For all experiments, the model backbone was pre-trained on ImageNet [11], and the remaining weights were initialized by Kaiming normal initialization [16]. All models were trained for 20 epochs. The SGD optimizer was used with batch size set to 32, momentum to 0.9 and weight decay to $1e-4$. The cosine learning rate scheduler was used (initial learning rate 0.01, linear warmup for 5 epochs). Regarding the loss, we set α , β and γ to 1, whereas for \mathcal{L}_D , we set λ , μ , ν to 0.25, 0.25 and 0.5, respectively.

Other baselines. TransReI3D was compared against the Reranking Transformers (RRT) Global retrieval baseline [49]. RRT was trained on BBBicycles for 50 epochs. The training setting is the same as the default one used in the original code, with learning rate of $1e-3$, SGD optimizer with 0.9 momentum, batch size 128, weight decay of $4e-4$, MultiStep learning rate scheduler with a 0.1 decay at epochs 30 and 40, contrastive loss and ResNet-50 backbone. However, since RRT does not perform damage detection, it was evaluated only on the ReID task.

Evaluation protocol. Performance on the ReID task was measured using common metrics for vehicle and object ReID, i.e., mean Average Precision (mAP) and Cumula-

tive Matching Characteristics (CMC) [17]. $CMC-K$, with $K = \{1, 5, 10\}$, represents the average probability of observing the correct identity within the top- K ranked results. Since the gallery contains one instance per bike ID, it is equivalent to Recall@K. For each pair of images in the validation and stress test, we set the “after” image as Query and the “before” image as Gallery. All images from other IDs (including those derived from the same 3D bike model) were used as distractors. For the DD task, performance was measured using the Area under the Receiver Operating Characteristic Curve (AUROC), macro-averaged across all labels. For the sake of conciseness, we report only results for Bent and Broken labels, since damages to the frame are more challenging to detect than missing parts. All performance metrics were averaged over three runs.

6. Results

What is the DD and ReID performance of the baseline, with and without real labeled images at training time?

The baseline was trained in two different settings: one assuming that only synthetic data is available at training time (BL), and one assuming that a small sample of labeled images is available at training time (BL+Real). As shown in Table 1, *on the DD task* BL achieves an average AUC of 92.1 ± 0.5 for synthetic images and of 93.4 ± 1.5 for real images. However, we postulate that there is still a domain shift between the synthetic and the real data, since performance on the DD task improved when the network was exposed to the real domain during training (AUC= 97.3 ± 2.2).

Delving deeper in the DD task, *the performance varies for different damage types on the synthetic dataset*, with higher AUC on Broken (100 ± 0.0) than Bent frames (81.5 ± 2). Bent frames are more challenging to detect since some frames (e.g., Cruiser) may include both straight and curved lines, and BBBicycles includes a range of both subtle and heavy damages. On the other hand, the visual features associated with broken frames are well defined and stable between different bike models.

On the ReID task, TransReI3D achieved a mAP of 85.3 ± 0.2 (BL and BL+Real) and a CMC-1 of 79.8 ± 0.5 (BL) and 79.4 ± 0.1 (BL+Real), with minor variations when exposed to real data during training. Figure 3 shows how TransReI3D is able to predict the correct ID and distinguish damage-induced variations from different setups of the same (or similar) bike models.

We further investigated the *effect of the background* on the ReID and DD performance. Specifically, we compared three choices of background: (i) HDRI images, as detailed in Section 3; (ii) random selection from Places365 [65], and (iii) a simple uniform background (see Appendix C for examples). On the DD task, all transfer scenarios (HDRI (BL) \rightarrow Real, BG Places365 \rightarrow Real and BG Uniform \rightarrow Real) achieved similar results (Table 1).

	Validation					
	Damage Detection		Re-identification (Synthetic)			
	Real AUC	Synthetic AUC	mAP	CMC-1	CMC-5	CMC-10
BL	93.4 ± 1.5	92.1 ± 0.5	85.3 ± 0.2	79.8 ± 0.5	91.9 ± 1.1	96.3 ± 0.5
BL + Real [†]	97.3 ± 2.2	91.4 ± 0.2	85.3 ± 0.2	79.4 ± 0.1	92.9 ± 0.4	96.6 ± 0.4
RRT (Global)	-	-	80.5 ± 1	74.1 ± 1.6	88.3 ± 1.1	93.4 ± 1.2
BG Places365 + Real [†]	96.3 ± 1.9	90.4 ± 0.2	85 ± 0.1	79.0 ± 0.4	92.8 ± 0.3	96.3 ± 0.2
BG Uniform + Real [†]	95.2 ± 3.4	87.4 ± 1.5	48.5 ± 3.4	39.2 ± 1.9	59.4 ± 5.6	66.0 ± 5.7
ReID (single task) [†]	-	-	83.3 ± 1.2	77.0 ± 1.2	91.2 ± 1.5	95.1 ± 1.4
Damage detection (single task) [†]	97.5 ± 1.5	94.5 ± 0.5	-	-	-	-
BL + DANN [‡]	93.9 ± 1.1	91.7 ± 0.9	85.2 ± 0.2	79.4 ± 0.4	92.3 ± 1.0	96.4 ± 0.5
BL + Real + DANN [†]	97.0 ± 1.8	91.0 ± 0.6	85.2 ± 0.5	78.9 ± 0.8	92.8 ± 0.4	96.4 ± 0.7
BL + PADA [‡]	94.4 ± 0.5	90.8 ± 1.2	84.8 ± 0.2	78.6 ± 0.4	92.6 ± 0.3	96.4 ± 0.5
BL + Real + Model labels [†]	96.9 ± 1.9	90.7 ± 1.0	84.6 ± 0.4	77.9 ± 0.7	93.0 ± 0.4	96.6 ± 0.1
BL + Real + PADA [‡]	96.2 ± 3.1	90.9 ± 1.9	84.7 ± 0.1	78.4 ± 0.2	92.4 ± 0.3	96.9 ± 0.6
	Stress test					
Baseline	-	94.1 ± 0.2	79.3 ± 0.2	72.5 ± 0.2	87.4 ± 0.3	92.2 ± 0.1
BL + Real [†]	-	93.5 ± 0.23	79.2 ± 0.1	72.1 ± 0.4	88.0 ± 0.1	92.2 ± 0.1
RRT (Global)	-	-	76.1 ± 1.3	65.7 ± 2.3	85.4 ± 2.2	90.6 ± 0.9
BL + DANN [‡]	-	93.4 ± 1.1	78.7 ± 0.5	71.6 ± 0.5	87.9 ± 0.5	91.3 ± 0.7
BL + Real + DANN [†]	-	93.5 ± 0.3	79.1 ± 0.2	71.7 ± 0.2	87.9 ± 0.2	92.1 ± 0.2
BL + PADA [‡]	-	94.2 ± 0.4	79.2 ± 0.4	72.3 ± 0.8	88.1 ± 0.1	92.2 ± 0.5
BL + Real + PADA [†]	-	92.9 ± 1	78.9 ± 0.7	71.9 ± 0.7	87.8 ± 0.8	91.9 ± 0.1

Table 1: Performance on the validation and stress set. All networks trained on synthetic data except for [†] (labeled real images available at training time) and [‡] (unlabelled real images available at training time). Best results are in bold.

HDRi slightly outperforms Places365: the latter contains a wider range of scenes, but the resulting blend is not as realistic as the proposed HDRi technique. On the ReID task, performance substantially drops when training on a uniform background, as the network does not learn to separate the bike from the background.

Is multi-tasking beneficial for damaged object re-identification? We compared TransReID3D against single-task ReID and DD networks – the former reduces to the original TransReID architecture, whereas the latter becomes a ViT-based multi-label classifier. As shown in Table 1, TransReID3D outperforms the single-task ReID architecture both in terms of mAP (85.3 ± 0.2 vs. 83.3 ± 1.2) and CMC (CMC-1 79.9 ± 0.4 vs. 77.0 ± 1.2). This is further confirmed by the performance of RRT (mAP 80.5 ± 1 vs. 85.3 ± 0.2). On the other hand, DD improves in the single-task setting on both real (97.5 ± 1.5) and synthetic (94.5 ± 0.5) images. A possible explanation is that the ReID task forces the network to take into account the entire bicycle, whereas for DD simpler, more localized visual cues are sufficient. Conversely, the ReID task can leverage the DD labels to learn visual properties invariant to the presence of damage.

Are feature-level domain adaptation strategies helpful to reduce the synthetic-to-real gap? The BL results in-

dicates that, at least for the DD task, a certain domain shift still exists. Besides low-level differences due to CGI, we postulate that this domain shift may be attributed to different reasons: on the one hand, few examples of damaged bikes are available; on the other hand, the synthetic dataset contains more bike models (for instance, most images in the Delft Bikes dataset are minor variations of a typical city bike). As detailed in Section 5, we have tested two techniques, DANN and PADA, focusing on the DD task.

When labeled real images are available during training, neither DANN (97.0 ± 1.8) nor PADA (96.2 ± 3.1) outperforms BL + Real (97.3 ± 2.2). On the other hand, if we assume that labels are not available at training time, both DANN (93.8 ± 1.1) and PADA (94.4 ± 0.5) improved over BL (93.4 ± 1.5), but did not match the supervised setting (97.3 ± 2.2). On the ReID task, domain adaptation slightly hurts the performance in terms of CMC-1, bearing however in mind that this task is evaluated only on synthetic images. t-SNE plots of the [cls] token extracted from the backbone (Appendix C) show only partial overlap between the real and synthetic domains. Saliency (attention) maps generated following the approach in [6] highlight how the network correctly focused its attention on the bike frame (and occasionally the wheels) (Figure 4). Different training regimes consistently yield similar visual keys (Appendix C).



Figure 3: Retrieval results (Top-5 images) for the BL network (ID and similarity scores). The correct ID is retrieved despite the presence of missing parts (ID 15), bent (ID 15) or broken (ID 21) frame, deformed wheels (ID 21), and rust (ID 21).

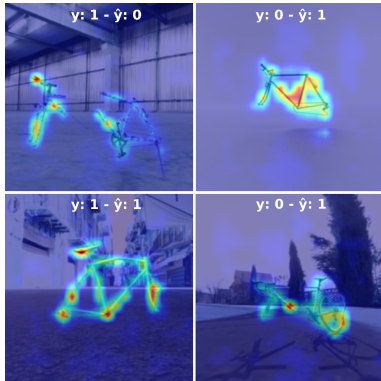


Figure 4: Attention maps of TransReI3D for BL + REAL + DANN, with Bent frame labels (y) and predictions (\hat{y}).

How does the network generalize to previously unseen bike models? Overall, the DD task generalizes well to previously unseen models, while performance is more dependent on the specific type of damage. When training on synthetic data alone (BL), we observed an increase in performance for the DD task from 92.1 ± 0.2 to 94.1 ± 0.2 (Table 1). Again, forcing the network to improve on real images lowers the performance on synthetic images for all strategies but BL + PADA (94.2 ± 0.4). However, the latter incorporates an additional bike model classification task, which may help TransReI3D to better generalize to previously unseen models. On the other hand, in the ReID task both TransReI3D and RRT struggle to generalize to completely novel bike models, with a moderate decrease in performance both in terms of mAP (79.3 ± 0.1 vs. 85.3 ± 0.2) and CMC-1 (72.5 ± 0.2 vs. 79.8 ± 0.5).

7. Conclusions

In this work, we introduced the novel task of damaged object re-identification. As a benchmark for this task, we introduced the synthetic BBBicycles dataset which contains paired images of the same bike with and without damages. As a baseline, we proposed TransReI3D, a multi-task transformer-based architecture for joint DD and ReID. Experimental results showed how the DD task improves performance on the ReID task, but not viceversa. The main limitation of the present work is the lack of real paired images of bikes, before and after damage; for this reason, only the DD task was analyzed for real images. As collecting such a dataset would be prohibitively expensive, an option to be explored is simulation, e.g., through data augmentation or generative models. Given the novelty of the task, there is ample room for future expansion in several directions. First, concerning the ReID task, the ability to generalize to previously unseen models should be improved. Experiments should also be extended to include more traditional convolutional architectures. Second, techniques for bridging the synthetic-to-real gap could be further investigated, e.g. by looking at the few-shot and partial/universal domain adaptation literature. Third, segmentation could be leveraged to improve foreground/background differentiation. Finally, other tasks could be explored using the proposed pipeline and the collected 3D models in combination with rendered images, e.g., cross-modal image retrieval [20, 53], segmentation, and 3D part recognition [58].

Acknowledgements

The authors gratefully acknowledge the financial support of Reale Mutua Assicurazioni.

References

- [1] Blender. <https://www.blender.org/>. Accessed: 2022-08-29.
- [2] Lily surface scraper. <https://github.com/eliemichel/LilySurfaceScraper>. Accessed: 2022-08-29.
- [3] Giuseppe Amato, Fabio Carrara, Fabrizio Falchi, Claudio Gennaro, and Lucia Vadicamo. Large-scale instance-level image retrieval. *Information Processing & Management*, 57(6):102100, 2020.
- [4] Zhangjie Cao, Lijia Ma, Mingsheng Long, and Jianmin Wang. Partial adversarial domain adaptation. In *Proceedings of the European Conference on Computer Vision (ECCV)*, pages 135–150, 2018.
- [5] A. X. Chang, T. A. Funkhouser, L. J. Guibas, P. Hanrahan, Q. X. Huang, Z. Li, S. Savarese, M. Savva, S. Song, H. Su, J. Xiao, L. Yi, and F. Yu. Shapenet: An information-rich 3D model repository. *arXiv preprint: 1512.03012*, 2015.
- [6] Hila Chefer, Shir Gur, and Lior Wolf. Generic attention-model explainability for interpreting bi-modal and encoder-decoder transformers. In *Proceedings of the IEEE/CVF International Conference on Computer Vision*, pages 397–406, 2021.
- [7] Wei Chen, Yu Liu, Weiping Wang, Erwin Bakker, Theodoros Georgiou, Paul Fieguth, Li Liu, and Michael S Lew. Deep image retrieval: A survey. *arXiv preprint arXiv:2101.11282*, 2021.
- [8] J. Courbon, Y. Mezouar, N. Guenard, and P. Martinet. Vision-based navigation of unmanned aerial vehicles. *Control Engineering Practice*, 18:7:789–799, 2010.
- [9] Rita Cucchiara and Matteo Fabbri. Fine-grained human analysis under occlusions and perspective constraints in multimedia surveillance. *ACM Transactions on Multimedia Computing, Communications, and Applications (TOMM)*, 18(1s):1–23, 2022.
- [10] C. R. d. Souza, A. Gaidon, Y. Cabon, , and A. M. Lopez. Procedural generation of videos to train deep action recognition networks. In *IEEE Conference on Computer Vision and Pattern Recognition*, pages 2594–2604, 2017.
- [11] Jia Deng, Wei Dong, Richard Socher, Li-Jia Li, Kai Li, and Li Fei-Fei. Imagenet: A large-scale hierarchical image database. In *2009 IEEE conference on computer vision and pattern recognition*, pages 248–255. Ieee, 2009.
- [12] Alexey Dosovitskiy, Lucas Beyer, Alexander Kolesnikov, Dirk Weissenborn, Xiaohua Zhai, Thomas Unterthiner, Mostafa Dehghani, Matthias Minderer, Georg Heigold, Sylvain Gelly, Jakob Uszkoreit, and Neil Houlsby. An image is worth 16x16 words: Transformers for image recognition at scale. In *Proceedings of the International Conference on Learning Representations (ICLR)*, 2021.
- [13] N. Dvornik, J. Mairal, and C. Schmid. Modeling visual context is key to augmenting object detection datasets. In *European Conference on Computer Vision*, pages 375–391, 2018.
- [14] Matteo Fabbri, Guillem Brasó, Gianluca Maueri, Orcun Cetintas, Riccardo Gasparini, Aljoša Ošep, Simone Calderara, Laura Leal-Taixé, and Rita Cucchiara. MOTSynth: How can synthetic data help pedestrian detection and tracking? In *Proceedings of the IEEE/CVF International Conference on Computer Vision*, pages 10849–10859, 2021.
- [15] Yaroslav Ganin, Evgeniya Ustinova, Hana Ajakan, Pascal Germain, Hugo Larochelle, François Laviolette, Mario Marchand, and Victor Lempitsky. Domain-adversarial training of neural networks. *The journal of machine learning research*, 17(1):2096–2030, 2016.
- [16] Kaiming He, Xiangyu Zhang, Shaoqing Ren, and Jian Sun. Delving deep into rectifiers: Surpassing human-level performance on imagenet classification. In *Proceedings of the IEEE international conference on computer vision*, pages 1026–1034, 2015.
- [17] Shuting He, Hao Luo, Pichao Wang, Fan Wang, Hao Li, and Wei Jiang. Transreid: Transformer-based object re-identification. In *Proceedings of the IEEE/CVF International Conference on Computer Vision*, pages 15013–15022, 2021.
- [18] Christof Henkel. Efficient large-scale image retrieval with deep feature orthogonality and hybrid-swin-transformers. *arXiv preprint arXiv:2110.03786*, 2021.
- [19] Yan Huang, Qiang Wu, JingSong Xu, Yi Zhong, and ZhaoXiang Zhang. Clothing status awareness for long-term person re-identification. In *Proceedings of the IEEE/CVF International Conference on Computer Vision*, pages 11895–11904, 2021.
- [20] Longlong Jing, Elahe Vahdani, Jiaying Tan, and Yingli Tian. Cross-modal center loss for 3d cross-modal retrieval. In *Proceedings of the IEEE/CVF Conference on Computer Vision and Pattern Recognition*, pages 3142–3151, 2021.
- [21] Amlan Kar, Aayush Prakash, Ming-Yu Liu, Eric Cameracci, Justin Yuan, Matt Rusiniak, David Acuna, A. Torralba, and S. Fidler. Meta-Sim: Learning to generate synthetic datasets. *2019 IEEE/CVF International Conference on Computer Vision (ICCV)*, pages 4550–4559, 2019.
- [22] Osman Semih Kayhan, Bart Vredebregt, and Jan C van Gemert. Hallucination in object detection—a study in visual part verification. In *2021 IEEE International Conference on Image Processing (ICIP)*, pages 2234–2238. IEEE, 2021.
- [23] Salman Khan, Muzammal Naseer, Munawar Hayat, Syed Waqas Zamir, Fahad Shahbaz Khan, and Mubarak Shah. Transformers in vision: A survey. *ACM Computing Surveys (CSUR)*, 2021.
- [24] Sultan Daud Khan and Habib Ullah. A survey of advances in vision-based vehicle re-identification. *Computer Vision and Image Understanding*, 182:50–63, 2019.
- [25] M. Khodabandeh, H. R. V. Joze, I. Zharkov, and V. Pradeep. DIY human action dataset generation. In *IEEE/CVF Conference on Computer Vision and Pattern Recognition Workshops*, page 1529–152910, 2018.
- [26] Jun Li, Bo Yang, Wankou Yang, Changyin Sun, and Hong Zhang. When deep meets shallow: subspace-based multi-view fusion for instance-level image retrieval. In *2018 IEEE International Conference on Robotics and Biomimetics (RO-BIO)*, pages 486–492. IEEE, 2018.
- [27] Pei Li, Bingyu Shen, and Weishan Dong. An anti-fraud system for car insurance claim based on visual evidence. *arXiv preprint arXiv:1804.11207*, 2018.

- [28] Wei Li, Rui Zhao, Tong Xiao, and Xiaogang Wang. Deep-reid: Deep filter pairing neural network for person re-identification. In *Proceedings of the IEEE/CVF International Conference on Computer Vision (CVPR)*, 2014.
- [29] Shengcai Liao and Ling Shao. Transmatcher: Deep image matching through transformers for generalizable person re-identification. In *Annual Conference on Neural Information Processing Systems (NeurIPS)*, 2021.
- [30] Hongye Liu, Yonghong Tian, Yaowei Wang, Lu Pang, and Tiejun Huang. Deep relative distance learning: Tell the difference between similar vehicles. In *Proceedings of the IEEE Conference on Computer Vision and Pattern Recognition*, pages 2167–2175, 2016.
- [31] Xinchun Liu, Wu Liu, Tao Mei, and Huadong Ma. Provid: Progressive and multimodal vehicle reidentification for large-scale urban surveillance. *IEEE Transactions on Multimedia*, 20(3):645–658, 2017.
- [32] Carlo Masone and Barbara Caputo. A survey on deep visual place recognition. *IEEE Access*, 9:19516–19547, 2021.
- [33] N. Mayer, E. Ilg, P. Hausser, P. Fischer, D. Cremers, A. Dosovitskiy, and T. Brox. A large dataset to train convolutional networks for disparity, optical flow, and scene flow estimation. In *IEEE Conference on Computer Vision and Pattern Recognition*, 2015.
- [34] J. McCormac, A. Handa, S. Leutenegger, , and A. J. Davison. Scenenet RGB-D: Can 5m synthetic images beat generic imagenet pre-training on indoor segmentation? In *IEEE International Conference on Computer Vision*, pages 2697–2706, 2017.
- [35] Lia Morra and Fabrizio Lamberti. Benchmarking unsupervised near-duplicate image detection. *Expert Systems with Applications*, 135:313–326, 2019.
- [36] L. Morra, F. Manigrasso, and F. Lamberti. SocER: Computer graphics meets sports analytics for soccer event recognition. *SoftwareX*, 12:100612, 2020.
- [37] S. I. Nikolenko. *Synthetic Data for Deep Learning*. Springer, 2021.
- [38] X. Peng, B. Sun, K. Ali, and K. Saenko. Learning deep object detectors from 3D models. In *IEEE International Conference on Computer Vision*, pages 1278–1286, 2015.
- [39] Yifan Peng, Qingyu Chen, and Zhiyong Lu. An empirical study of multi-task learning on bert for biomedical text mining. In *Proceedings of the 19th SIGBioMed Workshop on Biomedical Language Processing*, pages 205–214, 2020.
- [40] E. Perot, M. Jaritz, M. Toromanoff, and R. d. Charette. End-to-end driving in a realistic racing game with deep reinforcement learning. In *IEEE Conference on Computer Vision and Pattern Recognition Workshops*, pages 474–475, 2017.
- [41] Lyle Regenwetter, Brent Curry, and Faez Ahmed. BIKED: A dataset for computational bicycle design with machine learning benchmarks. *Journal of Mechanical Design*, 144(3), 2022.
- [42] V. Vineet S. R. Richter, Stefan Roth, and Vladlen Koltun. Playing for data: Ground truth from computer games. In *European Conference on Computer Vision*, 2016.
- [43] P. Schneider and G. Schneider. De novo design at the edge of chaos. *Journal of Medicinal Chemistry*, 59:9.
- [44] Charu Sharma, Siddhant R Kapil, and David Chapman. Person re-identification with a locally aware transformer. *arXiv preprint arXiv:2106.03720*, 2021.
- [45] Fei Shen, Yi Xie, Jianqing Zhu, Xiaobin Zhu, and Huanqiang Zeng. Git: Graph interactive transformer for vehicle re-identification. *arXiv preprint arXiv:2107.05475*, 2021.
- [46] Ashish Shrivastava, Tomas Pfister, Oncel Tuzel, J. Susskind, Wenda Wang, and Russ Webb. Learning from simulated and unsupervised images through adversarial training. *2017 IEEE Conference on Computer Vision and Pattern Recognition (CVPR)*, pages 2242–2251, 2017.
- [47] Xiujuan Shu, Ge Li, Xiao Wang, Weijian Ruan, and Qi Tian. Semantic-guided pixel sampling for cloth-changing person re-identification. *IEEE Signal Processing Letters*, 28:1365–1369, 2021.
- [48] P. Solovev, V. Aliev, P. Ostyakov, G. Sterkin, E. Logacheva, S. Troeshestov, R. Suvorov, A. Mashikhin, O. Khomenko, and S. I. Nikolenko. Learning state representations in complex systems with multimodal data. *arXiv preprint: 1811.11067*, 2018.
- [49] Fuwen Tan, Jiangbo Yuan, and Vicente Ordonez. Instance-level image retrieval using reranking transformers. In *Proceedings of the IEEE/CVF International Conference on Computer Vision (ICCV)*, pages 12105–12115, 2021.
- [50] Zheng Tang, Milind Naphade, Stan Birchfield, Jonathan Tremblay, William Hodge, Ratnesh Kumar, Shuo Wang, and Xiaodong Yang. Pamtri: Pose-aware multi-task learning for vehicle re-identification using highly randomized synthetic data. In *Proceedings of the IEEE/CVF International Conference on Computer Vision*, pages 211–220, 2019.
- [51] Josh Tobin, Rachel Fong, Alex Ray, Jonas Schneider, Wojciech Zaremba, and Pieter Abbeel. Domain randomization for transferring deep neural networks from simulation to the real world. In *2017 IEEE/RSJ international conference on intelligent robots and systems (IROS)*, pages 23–30. IEEE, 2017.
- [52] J. Tremblay, B. Sundaralingam T. To, Y. Xiang, D. Fox, and S. T. Birchfield. Deep object pose estimation for semantic robotic grasping of household objects. In *Conference on Robot Learning*, 2018.
- [53] Mikaela Angelina Uy, Jingwei Huang, Minhyuk Sung, Tolga Birdal, and Leonidas Guibas. Deformation-aware 3d model embedding and retrieval. In *European Conference on Computer Vision*, pages 397–413. Springer, 2020.
- [54] W. Y. Wan and D. Yang. That’s so annoying!!!: A lexical and frame-semantic embedding based data augmentation approach to automatic categorization of annoying behaviors using petpeeve tweets. In *Empirical Methods in Natural Language Processing*, pages 2557–2563, 2015.
- [55] Q. Wang, J. Gao, W. Lin, and Y. Yuan. Learning from synthetic data for crowd counting in the wild. In *IEEE/CVF Conference on Computer Vision and Pattern Recognition*, pages 8190–8199, 2019.
- [56] Longhui Wei, Shiliang Zhang, Wen Gao, and Qi Tian. Person transfer gan to bridge domain gap for person re-identification. In *Proceedings of the IEEE conference on computer vision and pattern recognition*, pages 79–88, 2018.

- [57] Cameron R Wolfe and Keld T Lundgaard. Exceeding the limits of visual-linguistic multi-task learning. *arXiv preprint arXiv:2107.13054*, 2021.
- [58] Chun-Han Yao, Wei-Chih Hung, Varun Jampani, and Ming-Hsuan Yang. Discovering 3d parts from image collections. In *Proceedings of the IEEE/CVF International Conference on Computer Vision*, pages 12981–12990, 2021.
- [59] Dominik Zapletal and Adam Herout. Vehicle re-identification for automatic video traffic surveillance. In *Proceedings of the IEEE Conference on Computer Vision and Pattern Recognition Workshops*, pages 25–31, 2016.
- [60] Guowen Zhang, Pingping Zhang, Jinqing Qi, and Huchuan Lu. HAT: Hierarchical aggregation transformers for person re-identification. In *Proceedings of the 29th ACM International Conference on Multimedia*, pages 516–525, 2021.
- [61] Y. Zhang, W. Qiu, Q. Chen, X. C. Hu, and A. L. Yuille. Unrealstereo: A synthetic dataset for analyzing stereo vision. *arXiv preprint: 1612.04647*, 2016.
- [62] Chuanxia Zheng, Tat-Jen Cham, and Jianfei Cai. T2net: Synthetic-to-realistic translation for solving single-image depth estimation tasks. In *Proceedings of the European Conference on Computer Vision (ECCV)*, pages 767–783, 2018.
- [63] Liang Zheng, Liyue Shen, Lu Tian, Shengjin Wang, Jingdong Wang, and Qi Tian. Scalable person re-identification: A benchmark. In *Proceedings of the IEEE international conference on computer vision (ICCV)*, pages 1116–1124, 2015.
- [64] Liang Zheng, Yi Yang, and Qi Tian. SIFT meets CNN: A decade survey of instance retrieval. *IEEE transactions on pattern analysis and machine intelligence*, 40(5):1224–1244, 2017.
- [65] Bolei Zhou, Agata Lapedriza, Aditya Khosla, Aude Oliva, and Antonio Torralba. Places: A 10 million image database for scene recognition. *IEEE transactions on pattern analysis and machine intelligence*, 40(6):1452–1464, 2017.
- [66] Kuan Zhu, Haiyun Guo, Shiliang Zhang, Yaowei Wang, Gaopan Huang, Honglin Qiao, Jing Liu, Jinqiao Wang, and Ming Tang. AAformer: Auto-aligned transformer for person re-identification. *arXiv preprint arXiv:2104.00921*, 2021.