

(19) World Intellectual Property Organization
International Bureau



(43) International Publication Date
24 January 2002 (24.01.2002)

PCT

(10) International Publication Number
WO 02/05888 A1

(51) International Patent Classification⁷: A61M 29/00

Gregory, H.; 220 Elliot Street, Natick, MA 01760 (US).
LIDDICOAT, John, R.; Barberry Farm, Barberry Road,
Sewickley, PA 15143 (US). MOORE, Robert, Kevin; 4
Rolling Lane, Natick, MA 01760 (US). DAVENPORT,
Todd, F.; 48 Salem Street, Andover, MA 01810 (US).

(21) International Application Number: PCT/US01/20808

(22) International Filing Date: 29 June 2001 (29.06.2001)

(25) Filing Language: English

(74) Agent: PANDISCIO, Mark, J.; Pandiscio & Pandiscio,
470 Totten Pond Road, Waltham, MA 02451-1914 (US).

(26) Publication Language: English

(30) Priority Data:
60/215,542 30 June 2000 (30.06.2000) US
60/231,101 8 September 2000 (08.09.2000) US

(81) Designated States (national): AE, AG, AL, AM, AT, AU,
AZ, BA, BB, BG, BR, BY, BZ, CA, CH, CN, CO, CR, CU,
CZ, DE, DK, DM, DZ, EE, ES, FI, GB, GD, GE, GH, GM,
HR, HU, ID, IL, IN, IS, JP, KE, KG, KP, KR, KZ, LC, LK,
LR, LS, LT, LU, LV, MA, MD, MG, MK, MN, MW, MX,
MZ, NO, NZ, PL, PT, RO, RU, SD, SE, SG, SI, SK, SL,
TJ, TM, TR, TT, TZ, UA, UG, UZ, VN, YU, ZA, ZW.

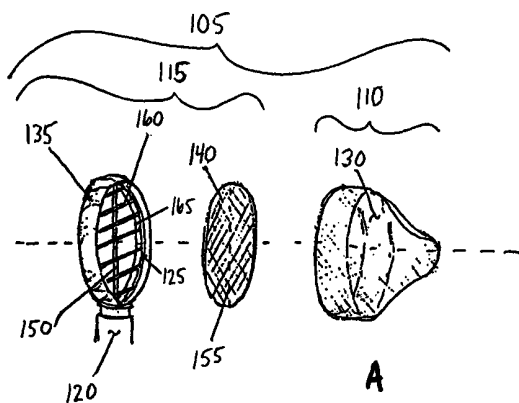
(71) Applicant: VIACOR INCORPORATED [US/US]; 66 H
Concord Street, Wilmington, MA 01887 (US).

(72) Inventors: STREETER, Richard, B.; 66 Brookside
Avenue, Winchester, MA 01890 (US). LAMBRECHT,

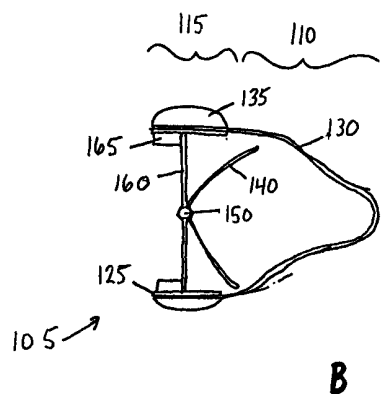
(84) Designated States (regional): ARIPO patent (GH, GM,
KE, LS, MW, MZ, SD, SL, SZ, TZ, UG, ZW), Eurasian

[Continued on next page]

(54) Title: INTRAVASCULAR FILTER WITH DEBRIS ENTRAPMENT MECHANISM



(57) Abstract: Apparatus and method are disclosed for filtering and entrapping debris from the vascular system of a patient. A filter device (5, 105, 205, 305) is disclosed for filtering and entrapping debris from the vascular system of a patient comprising: a filter (10, 110, 210, 310) being sized to allow blood flow therethrough and to restrict passage of debris therethrough. The filter device (5, 105, 205, 305) comprises the filter (10, 110, 210, 310) to capture the debris carried in a first direction of a blood flow and an entrapment mechanism to prevent the debris passage in a second direction opposite to the first direction. A method is disclosed for filtering, entrapping and removing debris from the vascular system of a patient.



WO 02/05888 A1



patent (AM, AZ, BY, KG, KZ, MD, RU, TJ, TM), European patent (AT, BE, CH, CY, DE, DK, ES, FI, FR, GB, GR, IE, IT, LU, MC, NL, PT, SE, TR), OAPI patent (BF, BJ, CF, CG, CI, CM, GA, GN, GW, ML, MR, NE, SN, TD, TG).

— *before the expiration of the time limit for amending the claims and to be republished in the event of receipt of amendments*

Published:

— *with international search report*

For two-letter codes and other abbreviations, refer to the "Guidance Notes on Codes and Abbreviations" appearing at the beginning of each regular issue of the PCT Gazette.

INTRAVASCULAR FILTER WITH DEBRIS ENTRAPMENT MECHANISMReference To Pending Prior Patent Application

This patent application claims benefit of pending prior U.S. Provisional Patent Application Serial No. 60/215,542, filed 06/30/00 by Richard B. Streeter et al. for INTRAVASCULAR FILTER WITH DEBRIS ENTRAPMENT MECHANISM, which patent application is hereby incorporated herein by reference, and of pending prior U.S. Provisional Patent Application Serial No. 60/231,101, filed 09/08/00 by Richard B. Streeter et al. for INTRAVASCULAR FILTER WITH DEBRIS ENTRAPMENT MECHANISM, which patent application is hereby incorporated herein by reference.

Field Of The Invention

This invention relates to intravascular filtering apparatus and methods in general, and more particularly to apparatus and methods for filtering and irreversibly entrapping embolic debris from the vascular system during an intravascular or intracardiac procedure.

- 2 -

Background Of The Invention

Intracardiac and intravascular procedures, whether performed percutaneously or in an open, surgical, fashion, may liberate particulate debris. Such debris, once free in the vascular system, may cause complications including vascular occlusion, end-organ ischemia, stroke, and heart attack. Ideally, this debris is filtered from the vascular system before it can travel to distal organ beds.

Using known filter mechanisms deployed in the arterial system, debris is captured during systole. There is a danger, however, that such debris may escape the filter mechanism during diastole or during filter removal. Apparatus and methods to reduce debris escape during diastole or during filter removal may be desirable to reduce embolic complications.

Summary Of The Invention

An object of the invention is to provide a filtering mechanism that irreversibly entraps debris therein.

- 3 -

Another object of the invention is to provide a filtering mechanism that permanently captures debris from the intravascular system of a patient.

A further object of the invention is to provide a filtering mechanism with greater ability to collect debris in the intravascular system of a patient to decrease the number of complications attributable to such debris.

Another further object of this invention is to provide a filter holding mechanism suitable to be secured to a retractor used to create access to the heart and surrounding structures during heart surgery procedures.

A still further object is to provide a method for using a filtering mechanism in the intravascular system of a patient to permanently capture debris therefrom.

Another still further object of the present invention is to provide a method for introducing a filtering device in the aorta downstream of the aortic valve to restrict the passage of emboli while allowing blood to flow through the aorta during cardiovascular procedures, and to entrap debris collected in the

- 4 -

filter so as to prevent its escape during cardiac diastole or during manipulation, repositioning or removal of the device from the aorta.

With the above and other objects in view, as will hereinafter appear, there is provided apparatus for debris removal from the vascular system of a patient, said apparatus comprising: a filtering device having a proximal side and a distal side said filter being sized to allow blood flow therethrough and to restrict debris therethrough and said filter having a first given perimeter, wherein blood flow in a first direction passes from the proximal side to the distal side of the filtering device; an entrapment mechanism having a proximal side and a distal side, the entrapment mechanism forming a selective opening to allow debris and blood flow passage in the first direction from the proximal side to the distal side therethrough, the selective opening having a restriction mechanism to prevent debris passage in a second direction opposite to said first direction the selective opening having a second given perimeter, the first given perimeter and the second given perimeter being deployed within the

- 5 -

vascular system so as to form a chamber between the distal side of the entrapment mechanism and the proximal side of the filtering device, wherein the entrapment mechanism allows blood flow and debris to pass therethrough in the first direction, the filtering device allows blood flow to pass therethrough in the first direction, the restriction mechanism prevents debris from passing back through said selective opening in a second direction opposite to the first direction and the chamber contains the debris received through the entrapment mechanism so as to prevent the escape of the debris therein by said filtering device in the first direction and said restriction mechanism in said second direction.

In accordance with another further feature of the invention there is provided a method for filtering and entrapping debris from the vascular system of a patient, the method comprising: providing apparatus for filtering and entrapping debris from the vascular system of a patient, the apparatus comprising: a filter device being sized to allow blood flow therethrough and to restrict passage of debris therethrough, and the

- 6 -

filter device having a first given perimeter, a proximal side and a distal side; and wherein the filtering device captures debris carried in a first direction of blood flow from the proximal side to the distal side thereof on the proximal side of the filter device; an entrapment mechanism having a proximal side and a distal side, the entrapment mechanism including a selective opening to allow passage of blood and debris therethrough, the selective opening being configured to allow passage of blood and debris carried therein therethrough in the first direction of blood flow from the proximal side to the distal side of the entrapment mechanism, the selective opening having a restriction mechanism to prevent debris passage from the distal side to the proximal side of the entrapment mechanism in a second direction opposite to the first direction, the selective opening forming a second given perimeter, and the first given perimeter and the second given perimeter being deployed within the vascular system so as to form a chamber between the distal side of the entrapment mechanism and the proximal side of the filtering device; wherein the entrapment mechanism

- 7 -

allows blood and debris carried therein therethrough in the first direction of blood flow, the filtering device allows blood therethrough in the first direction of blood flow, and the restriction mechanism prevents debris back through the selective opening in the second direction of blood flow opposite to the first direction of blood flow such that the chamber entraps the filtered debris received therein for debris removal from the vascular system of the patient; inserting said apparatus into the vascular system of the patient; allowing blood and debris carried therein to flow through the entrapment mechanism, and into the chamber; and removing the apparatus from the vascular system of the patient.

The above and other features of the invention, including various novel details of construction and combinations of parts and method steps will now be more particularly described with reference to the accompanying drawings and pointed out in the claims. It will be understood that the particular devices and method steps embodying the invention are shown by way of illustration only and not as limitations of the

- 8 -

invention. The principles and features of this invention may be employed in various and numerous embodiments without departing from the scope of the invention.

Brief Description Of The Drawings

These and other objects and features of the present invention will be more fully disclosed or rendered obvious by the following detailed description of the preferred embodiments of the invention, which are to be considered together with the accompanying drawings wherein like numbers refer to like parts, and further wherein:

Fig. 1A is a perspective view of a deployable entrapment filtering device for debris removal showing the filtering device in its fully deployed shape as released from its cannula into the blood stream of a patient;

Fig. 1B is an exploded perspective view of the deployable entrapment filtering device of Fig. 1A showing the components thereof;

- 9 -

Fig. 1C is a schematic cross-sectional illustration depicting the deployable entrapment filtering device of Figs. 1A and 1B during cardiac systole;

Fig. 1D is a schematic cross-sectional illustration depicting the deployable entrapment filtering device of Figs. 1A and 1B during cardiac diastole;

Fig. 2A is an exploded perspective view of a deployable entrapment filtering device for debris removal showing the components thereof including a set of filter mesh entrapment leaflets;

Fig. 2B is a schematic cross-sectional illustration depicting the deployable entrapment filtering device of Fig. 2A during cardiac systole;

Figs. 3A-3D are a series of schematic illustrations depicting a method of using the deployable entrapment filtering device of Figs. 2A and 2B;

Fig. 4A is an exploded perspective view of a deployable entrapment filtering device for debris

- 10 -

removal showing the components thereof including a set of non-porous valve leaflets;

Fig. 4B is a schematic cross-sectional illustration depicting the deployable entrapment filtering device of Fig. 4A during cardiac systole;

Figs. 5A-5D are a series of schematic illustrations depicting a method of using the deployable entrapment filtering device of Figs. 4A and 4B; and

Figs. 6A-6D are schematic illustrations depicting an orthogonally deployable valve/filter apparatus.

Detailed Description Of The Preferred Embodiments

A filtration and entrapment apparatus 5 is shown in Figs. 1A-5D for debris removal from the vascular system of a patient. Filtration and entrapment apparatus 5 generally includes a filter device 10 and an entrapment mechanism 15. Filtration and entrapment apparatus 5 can be used to filter emboli during a variety of intravascular or intracardiac procedures, including, but not limited to, the following procedures: vascular diagnostic procedures,

- 11 -

angioplasty, stenting, angioplasty and stenting, endovascular stent-graft and surgical procedures for aneurysm repairs, coronary artery bypass procedures, cardiac valve replacement and repair procedures, and carotid endarterectomy procedures.

Now looking at Figs. 1A-1D, a preferred embodiment of the present invention is shown with filtration and entrapment apparatus 5 as described herein below.

Fig. 1A depicts the profile of filtration and entrapment apparatus 5 in its fully deployed shape, with filter device 10 and entrapment mechanism 15 released from cannula 20 into the blood stream (not shown). Prior to deployment, filter device 10 and entrapment mechanism 15 are collapsed within cannula 20, e.g., by moving the proximal end 25A proximally along center post 50.

Fig. 1B depicts the primary components of filtration and entrapment apparatus 5 comprising filter device 10 and entrapment mechanism 15 in attachment to deployable frame 25. In the present embodiment of the invention, filter device 10 comprises a filter mesh bag

- 12 -

30, and entrapment mechanism 15 comprises a piece of coarse mesh 35 and a set of entrapment flaps 40.

Fig. 1C depicts filtration and entrapment apparatus 5 deployed within an aorta 45 during cardiac systole. Blood and debris flow through opened deployable frame 25, across coarse mesh 35, between and through entrapment flaps 40 and into the end of the filter mesh bag 30. Entrapment flaps 40 ensure unidirectional flow of blood and debris into filter mesh bag 30.

Fig. 1D depicts filtration and entrapment apparatus 5 within the aorta 45 responding to any retrograde flow of blood and/or back pressure within the aorta 45 during cardiac diastole. The back flow of blood and/or back pressure causes filter mesh bag 30 to partially deform and entrapment flaps 40 to close against coarse mesh 35. Coarse mesh 35 is of a structure adequate to permit the free flow of blood and debris through it and into filter mesh bag 30, and serves as a supporting structure against which entrapment flaps 40 can close and remain in a closed position to prevent the escape of embolic debris.

- 13 -

Still looking at Figs. 1A-1D, it should also be appreciated that the entrapment flaps 40 may be attached to structures other than deployable frame 25, e.g., the entrapment flaps 40 may be attached to a center post 50, or to coarse mesh 35, etc. Furthermore, if desired, entrapment flaps 40 may be biased closed or biased open. In addition, entrapment mechanism 15 may consist of one or more flaps 55, and have a configuration including, but not limited to, a single disk diaphragm (not shown), a semi-lunar configuration (not shown), a gill slit configuration (not shown), a multi-leaflet flap configuration (not shown), etc.

It should also be appreciated that, while in the foregoing description the apparatus shown in Figs. 1A-1D has been described in the context of functioning as a filter, it may also function as a one-way check valve. To the extent that the apparatus shown in Figs. 1A-1D is intended to function primarily as a one-way check valve, filter mesh bag 30 (see Fig. 1B) may be retained or it may be omitted.

- 14 -

Looking next at Figs. 2A and 2B, there is shown an alternative form of the present invention as a bidirectional flow filtration and entrapment apparatus 105. Bidirectional flow filtration and entrapment apparatus 105 of Figs. 2A and 2B generally comprises a filter device 110 and an entrapment mechanism 115 delivered by a cannula 120 to the interior of a vascular structure 122 (see Figs 3A-3D); a deployable filter frame 125; a filter bag 130 attached to the perimeter of deployable filter frame 125; a compliant, soft outer cuff 135 (preferably formed out of a biologically inert material such as Teflon, Dacron, Silastic, etc.) for sealing filtration and entrapment apparatus 105 against the inner wall of vascular structure 122 when deployable filter frame 125 is expanded; entrapment leaflets 140, preferably in the form of a fine filter mesh; a center post 150 (preferably formed out of steel or the equivalent) passing across the interior of the deployable filter frame 125; a hinge line 155 on entrapment leaflets 140, connected to center post 150, for permitting the entrapment leaflets 140 to open and close; co-aptation

- 15 -

strands 160 extending across the interior of deployable filter frame 125 and providing a seat against which entrapment leaflets 140 may close during diastole; and a perimeter seal 165 (preferably formed out of expanded Teflon or the like). Perimeter seal 165 acts like a step to help support entrapment leaflets 140 during diastole.

In addition, it should also be appreciated that soft outer cuff 135 may comprise a radially expandable mechanism (e.g., a balloon, a decompressed sponge, a spring loaded leaflet, etc.) for sealing filtration and entrapment apparatus 105 against the inner wall of vascular structure 122.

As noted above, entrapment leaflets 140 are preferably formed out of a fine filter mesh. This filter mesh is sized so that it will pass blood therethrough but not debris. Furthermore, this filter mesh is sized so that it will provide a modest resistance to blood flow, such that the entrapment leaflets will open during systole and close during diastole. By way of example but not limitation, the

- 16 -

filter mesh may have a pore size of between about 40 microns and about 300 microns.

Figs. 3A-3D illustrate operation of bidirectional flow filtration and entrapment apparatus 105 shown in Figs. 2A and 2B. More particularly, cannula 120 of deployable filtration and entrapment apparatus 105 is first inserted through a small incision 170 in the wall of the vascular structure 122 (see Fig. 3A). Then deployable filter frame 125 is deployed (see Fig. 3B). Thereafter, during systole (see Fig. 3C), blood flows through deployable filter from 125, forcing entrapment leaflets 140 open, and proceeds through filter bag 130. Any debris contained in the blood is captured by filter bag 130 and thereby prevented from moving downstream past bidirectional flow filtration and entrapment apparatus 105. During diastole (see Fig. 3D), when the blood flow momentarily reverses direction, entrapment leaflets 140 (shown in Figs. 2A and 2B) close, seating against co-aptation strands 160 (shown in Figs. 2A and 2B) extending across the interior of deployable filter frame 140 (shown in Figs. 2A and 2B). The blood passes through the fine mesh of entrapment leaflets 140 (shown

- 17 -

in Figs. 2A and 2B), being filtered as it passes, thus permitting coronary perfusion to take place during the diastolic phase. The fine mesh of entrapment leaflets 140 (shown in Figs. 2A and 2B) prevents debris from passing back through bidirectional flow filtration and entrapment apparatus 105.

It should also be appreciated that with bidirectional flow filtration and entrapment apparatus 105 of Figs. 2A, 2B and 3A-3D, entrapment leaflets 140 may be attached to structures other than center post 150, e.g., they may be attached to co-aptation strands 160, or to deployable filter frame 125, etc. Furthermore, if desired, entrapment leaflets 140 may be biased closed, or biased open. In addition, entrapment mechanism 15 may consist of one or more flaps (not shown), and have a configuration including, but not limited to, a single disk diaphragm (not shown), a semi-lunar configuration (not shown), a gill slit configuration (not shown), a multi-leaflet flap configuration (not shown), etc.

Looking next at Figs. 4A and 4B, there is shown a deployable valve/filter apparatus 205. Deployable

- 18 -

valve/filter apparatus 205 of Figs. 4A and 4B generally comprises a filter device 210 and a valve entrapment mechanism 215 delivered by a cannula 220 to the interior of the vascular structure 222; a deployable valve/filter frame 225; a filter bag 230 attached to the perimeter of deployable valve/filter frame 225; a compliant, soft outer cuff 235 (preferably formed out of a biologically inert material such as Teflon, Dacron, Silastic, etc.) for sealing the filter device 210 against the inner wall of vascular structure 222 when deployable valve/filter frame 225 is expanded; valve leaflets 240, preferably in the form of a blood-impervious material; a center post 250 (preferably formed out of steel or the equivalent) passing across the interior of deployable valve/filter frame 225; a hinge line 255 on valve leaflets 240, connected to center post 250, for permitting valve leaflets 240 to open and close; co-aptation strands 260 extending across the interior of deployable valve/filter frame 225 and providing a seat against which valve leaflets 240 may close during diastole; and a perimeter seal 265 (preferably formed out of expanded Teflon or the like).

- 19 -

Perimeter seal 265 acts like a step to help support valve leaflets 240 during diastole.

In addition, it should also be appreciated that soft outer cuff 235 may comprise a radially expandable mechanism (e.g., a balloon, a decompressed sponge, a spring loaded leaflet, etc.) for sealing deployable valve/filter apparatus 205 against the inner wall of vascular structure 222.

Figs. 5A-5D illustrate operation of deployable valve/filter apparatus 205 of Figs. 4A and 4B. More particularly, valve/filter apparatus 205 is first inserted through a small incision 270 in the wall of the vascular structure 222 (see Fig. 5A). Then deployable valve/filter frame 225 is deployed (see Fig. 5B). Thereafter, during systole (see Fig. 5C), blood flows through deployable valve/filter frame 225, forcing valve leaflets 240 open, and proceeds through filter bag 230. Any debris contained in the blood is captured by filter bag 230 and thereby prevented from moving downstream past valve/filter apparatus 205. During diastole (see Fig. 5D), when the blood flow

- 20 -

momentarily reverses direction, valve leaflets 240 (shown in Figs. 4A and 4B) close, seating against co-aptation strands 260 (shown in Figs. 4A and 4B) across the interior of deployable valve/filter frame 225 (shown in Figs. 4A and 4B). The closed leaflets 240 (shown in Figs. 4A and 4B) prevent blood from passing back through the valve/filter frame 225 (shown in Figs. 4A and 4B).

It should also be appreciated that with valve/filter apparatus 205 shown in Figs. 4A, 4B and 5A-5D, valve leaflets 240 may be attached to structures other than center post 250, e.g., they may be attached to co-aptation strands 260, or to deployable valve filter frame 225, etc. Furthermore, if desired, valve leaflets 240 may be biased closed, or biased open. In addition, valve entrapment mechanism 215 may consist of one or more flaps (not shown), and have a configuration including, but not limited to, a single disk diaphragm (not shown), a semi-lunar configuration (not shown), a gill slit configuration (not shown), a multi-leaflet flap configuration (not shown), etc.

- 21 -

Looking next at Figs. 6A-6B, there is shown an orthogonally deployable valve/filter apparatus 305. Orthogonally deployable valve/filter apparatus 305 of Figs. 6A-6D generally comprises a filter device 310 and a valve entrapment mechanism 315 deployed at an angle substantially orthogonal to an axis 318 of a cannula 320, such as a catheter introduced to the vascular system at a location which may be remote from the point of operation, in the interior of a vascular structure 322; a deployable valve/filter frame 325; a filter bag 330 attached to the perimeter of deployable valve/filter frame 325; a compliant, soft outer cuff 335 (preferably formed out of a biologically inert material such as Teflon, Dacron, Silastic, etc.) for sealing the filter device 310 against the inner wall of vascular structure 322 when deployable valve/filter frame 325 is expanded; valve leaflets 340, preferably in the form of a blood-impervious material, having a first portion 350 in attachment to deployable valve/filter frame 325, and a second portion 355 separable from deployable valve/filter frame 325, so as to allow valve leaflets 340 to open and close; and a

- 22 -

mesh material 360 extending across the interior of deployable valve/filter frame 325 and providing a seat against which valve leaflets 340 may close during diastole. In addition, it should be appreciated that mesh material 360 may comprise coaptation strands such as coaptation strands 160 as first shown in Fig. 2A.

In addition, it should also be appreciated that soft outer cuff 335 may comprise a radially expandable mechanism (e.g., a balloon, a decompressed sponge, a spring loaded leaflet, etc.) for sealing orthogonally deployable valve/filter apparatus 305 against the inner wall of vascular structure 322.

In addition, it should also be appreciated that valve entrapment mechanism 315 may be mounted for blood flow in either direction within vascular structure 322.

Figs. 6A-6D illustrate operation of deployable valve/filter apparatus 305. More particularly, deployable valve/filter apparatus 305 is first inserted through the interior of vascular structure 322 to a desired location (see Fig. 6C). Then deployable valve/filter frame 325 is deployed (see Fig. 6D). Thereafter, during systole (see Fig. 6A), blood flows

- 23 -

through deployable valve/filter frame 325, forcing valve leaflets 340 open, and proceeds through filter bag 330. Any debris contained in the blood is captured by filter bag 330 and thereby prevented from moving downstream past deployable valve/filter apparatus 305. During diastole (see Fig. 6B), when the blood flow momentarily reverses direction, valve leaflets 340 close, seating against mesh material 360 across the interior of deployable filter frame 340. The closed leaflets 340 prevent blood from passing back through the valve/filter frame 325.

It should also be appreciated that with valve/filter apparatus 305 shown in Figs. 6A-6D, valve leaflets 340 may be attached to structures other than deployable valve/filter frame 325, e.g., they may be attached to mesh material 260, or to cannula 320, etc. Furthermore, if desired, valve leaflets 340 may be biased closed, or biased open. In addition, valve entrapment mechanism 315 may consist of one or more flaps (not shown), and have a configuration including, but not limited to, a single disk diaphragm (not shown), a semi-lunar configuration (not shown), a gill

- 24 -

slit configuration (not shown), a multi-leaflet flap configuration (not shown), etc.

The filter design as described herein to prevent the escape of captured debris during diastole or filter removal may also be applied to all intravascular filters. Such a filter design may comprise a one-way valve and a filtering mesh in series. Liberated debris may pass through the one-way valve and come to rest in the filtering mesh. The one-way valve ensures permanent entrapment of debris. Potential applications of such an apparatus extend to all percutaneous and surgical procedures on the heart and vascular system, including open heart surgery, balloon dilatation of cardiac valves and arteries, deployment of stents in arteries, diagnostic catheterizations, and other cardiac and vascular procedures. Advantages of such a system include more complete collection of liberated debris, with a resulting decrease in the complications attributable to such debris.

- 25 -

What Is Claimed Is:

1. Apparatus for filtering and entrapping debris from the vascular system of a patient, said apparatus comprising:

a filter device being sized to allow blood flow therethrough and to restrict passage of debris therethrough, and said filter device having a first given perimeter, a proximal side and a distal side; and

wherein said filtering device captures debris carried in a first direction of blood flow from said proximal side to said distal side thereof on said proximal side of said filter device;

an entrapment mechanism having a proximal side and a distal side, said entrapment mechanism including a selective opening to allow passage of debris and blood therethrough, said selective opening being configured to allow passage of blood and debris carried therein therethrough in said first direction of blood flow from said proximal side to said distal side of said entrapment mechanism, said selective opening having a restriction mechanism to prevent debris passage from

- 26 -

said distal side to said proximal side of said entrapment mechanism in a second direction opposite to said first direction, said selective opening forming a second given perimeter, and said first given perimeter and said second given perimeter being deployed within the vascular system so as to form a chamber between said distal side of said entrapment mechanism and said proximal side of said filtering device;

wherein said entrapment mechanism allows blood and debris carried therein therethrough in said first direction of blood flow, said filtering device allows blood therethrough in said first direction of blood flow, and said restriction mechanism prevents debris back through said selective opening in said second direction of blood flow opposite to said first direction of blood flow such that said chamber entraps the filtered debris received therein for debris removal from the vascular system of the patient.

2. Apparatus according to claim 1 further comprising an introduction mechanism including a cannula to insert said filter device and said

- 27 -

entrapment mechanism into the vascular system of the patient.

3. Apparatus according to claim 1 further comprising a deployable frame being selectively configurable to adjustably size said filter device and entrapment mechanism between a first position and a second position.

4. Apparatus according to claim 3 further comprising a compliant outer cuff being configured to surround said deployable frame, and to make contact with an inner wall of the vascular system of the patient.

5. Apparatus according to claim 4 wherein said compliant outer cuff passively surrounds said deployable frame.

6. Apparatus according to claim 4 wherein said compliant outer cuff is radially expandable.

- 28 -

7. Apparatus according to claim 1 wherein said filter device comprises a filter bag.

8. Apparatus according to claim 1 wherein said entrapment mechanism comprises at least one entrapment leaflet attached to a first portion on said distal side of said entrapment mechanism and contacting a second portion on said distal side of said entrapment mechanism such that said at least one entrapment leaflet is positioned away from said second distal surface of said entrapment mechanism to allow blood and debris in said first direction of blood flow therethrough and said at least one entrapment leaflet is positioned toward said second distal surface of said entrapment mechanism to prevent debris in said second direction of blood flow therethrough.

9. Apparatus according to claim 8 wherein said at least one entrapment leaflet comprises a filter material so as to allow blood, and to prevent debris, in said second direction of blood flow back through said entrapment mechanism.

- 29 -

10. Apparatus according to claim 8 wherein said at least one entrapment leaflet comprises a non-porous material so as to prevent blood and debris in said second direction of blood flow back through said entrapment mechanism.

11. Apparatus according to claim 8 further comprising a perimeter seal extending about the interior of said entrapment mechanism so as to provide selectable engagement with said at least one entrapment leaflet in said second direction of blood flow.

12. Apparatus according to claim 8 wherein said second portion of said entrapment mechanism is a piece of coarse mesh extending across the interior of said entrapment mechanism so as to provide selectable engagement with said at least one entrapment leaflet in said second direction of blood flow.

13. Apparatus according to claim 8 wherein said second portion of said entrapment mechanism is at least

- 30 -

one co-aptation strand extending across the interior of said entrapment mechanism so as to provide selectable engagement with said at least one entrapment leaflet in said second direction of blood flow.

14. Apparatus according to claim 1 wherein said first direction of blood flow is the direction of systolic blood flow and said second direction of blood flow is the direction of diastolic blood flow.

15. Apparatus according to claim 1 wherein said first direction of blood flow is the direction of diastolic blood flow and said second direction of blood flow is the direction of systolic blood flow.

16. A method for filtering and entrapping debris from the vascular system of a patient, said method comprising:

providing apparatus for filtering and entrapping debris from the vascular system of a patient, said apparatus comprising:

- 31 -

a filter device being sized to allow blood flow therethrough and to restrict passage of debris therethrough, and said filter device having a first given perimeter, a proximal side and a distal side; and

wherein said filtering device captures debris carried in a first direction of blood flow from said proximal side to said distal side thereof on said proximal side of said filter device;

an entrapment mechanism having a proximal side and a distal side, said entrapment mechanism including a selective opening to allow passage of blood and debris therethrough, said selective opening being configured to allow passage of blood and debris carried therein therethrough in said first direction of blood flow from said proximal side to said distal side of said entrapment mechanism, said selective opening having a restriction mechanism to prevent debris passage from said distal side to said proximal side of said entrapment mechanism in a second direction opposite to said first direction, said selective opening forming a second given perimeter, and said first given perimeter and said second given perimeter

- 32 -

being deployed within the vascular system so as to form a chamber between said distal side of said entrapment mechanism and said proximal side of said filtering device;

wherein said entrapment mechanism allows blood and debris carried therein therethrough in said first direction of blood flow, said filtering device allows blood therethrough in said first direction of blood flow, and said restriction mechanism prevents debris back through said selective opening in said second direction of blood flow opposite to said first direction of blood flow such that said chamber entraps the filtered debris received therein for debris removal from the vascular system of the patient;

inserting said apparatus into the vascular system of the patient; and

allowing blood and debris carried therein to flow through said entrapment mechanism, and into said chamber.

17. A method according to claim 16 further comprising the step of making an opening in a wall of a

- 33 -

portion of the vascular system prior to the step of inserting said apparatus into the vascular system of the patient wherein said apparatus is inserted through said opening.

18. A method according to claim 17 wherein the portion is the aorta of the patient.

19. A method according to claim 16 further comprising the step of removing said apparatus from the vascular system of the patient.

20. A method according to claim 16 wherein said apparatus maintains entrapment of debris during the step of removing said apparatus from the vascular system of the patient.

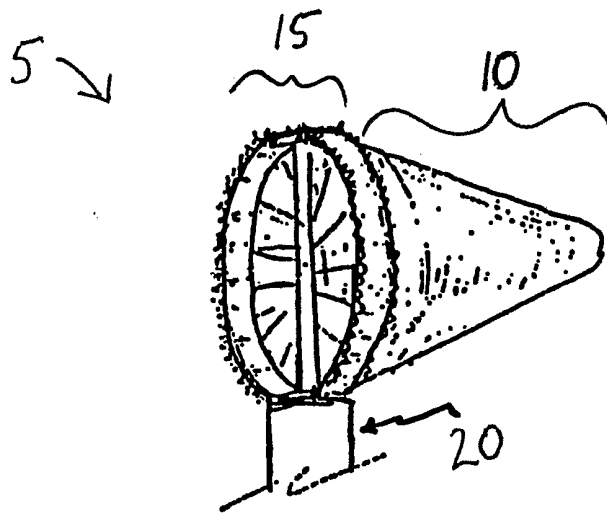


FIG. 1A

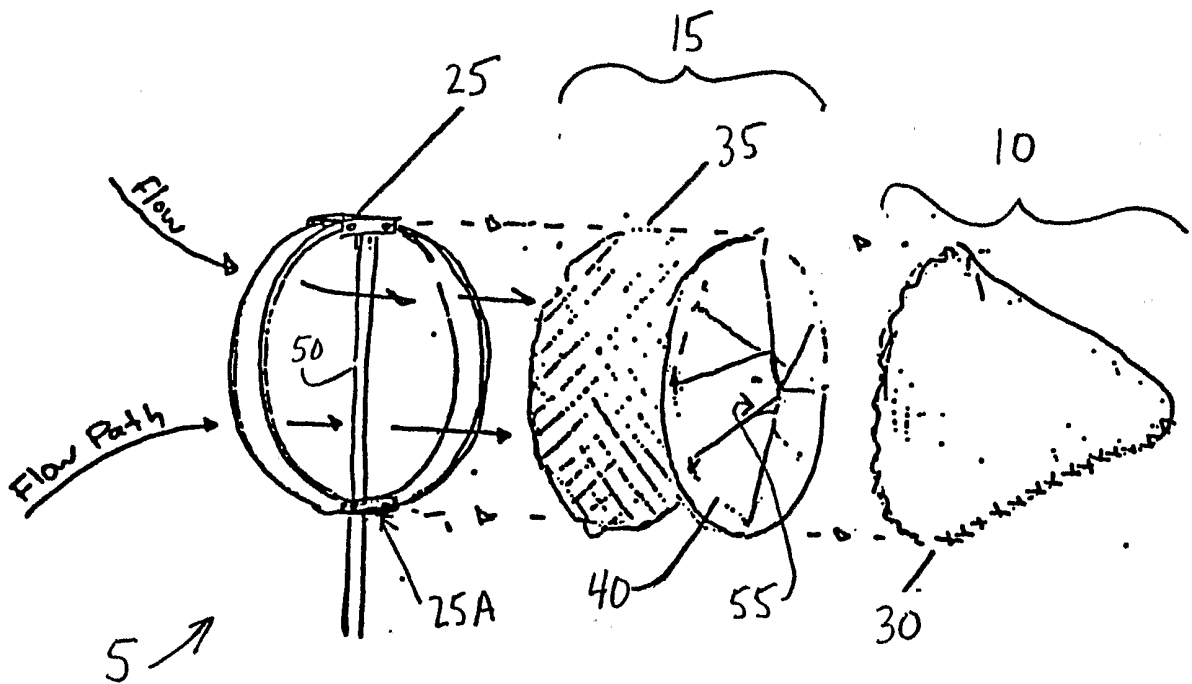


FIG. 1B

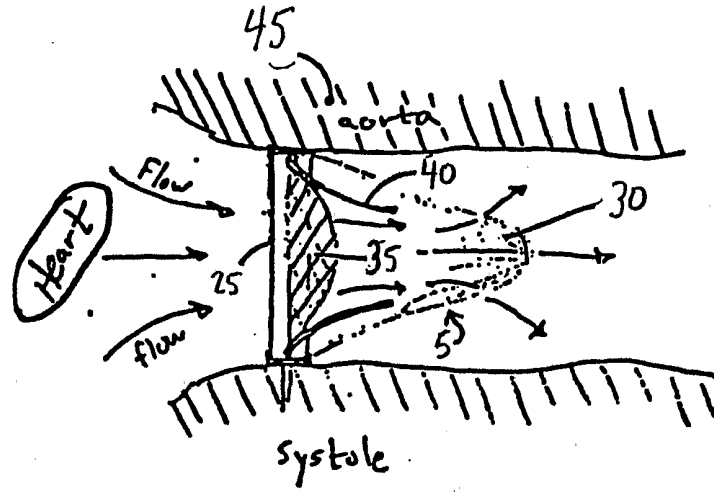


FIG. 1C

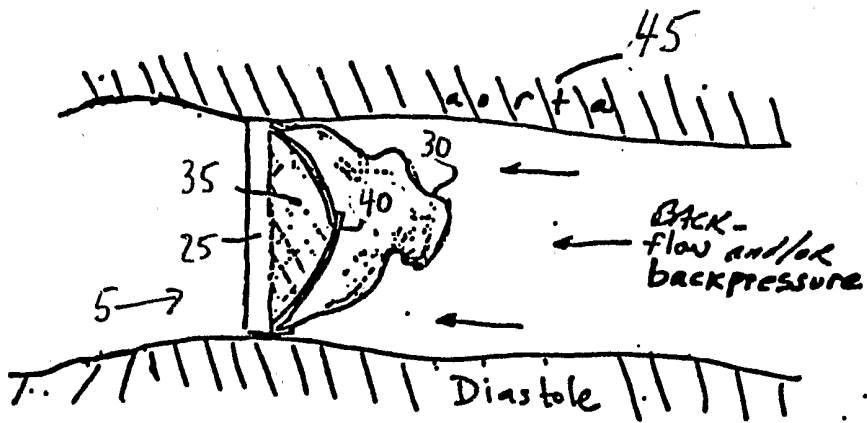
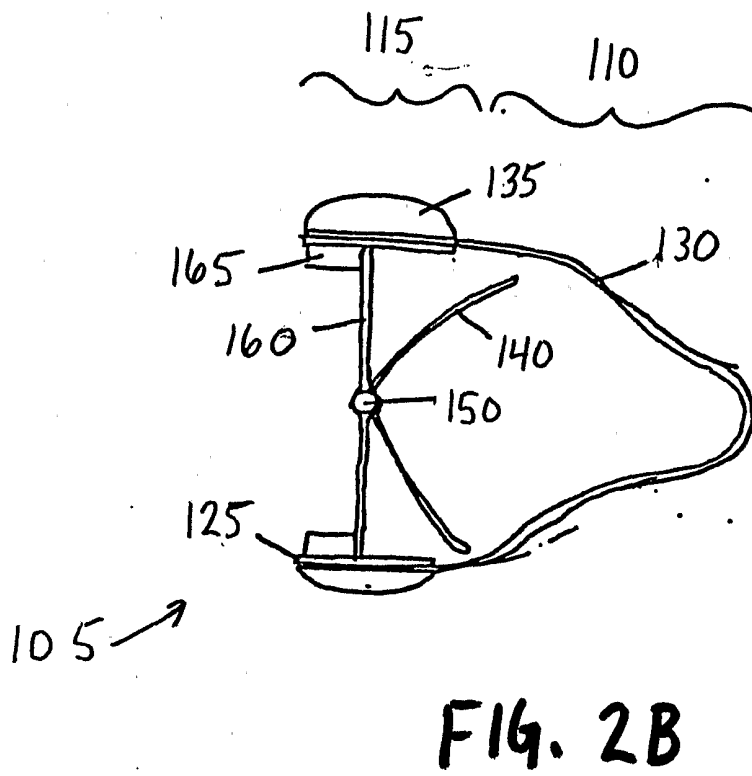
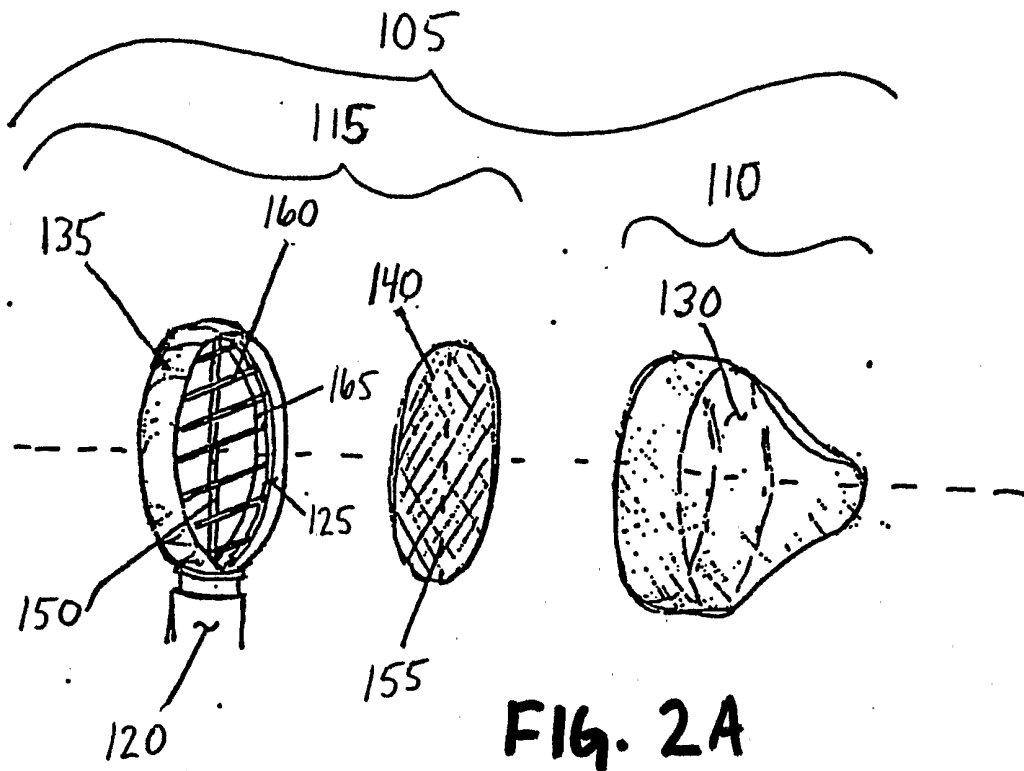


FIG. 1D



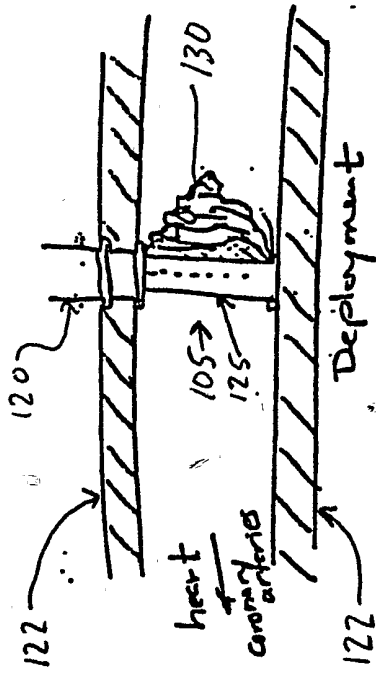


FIG. 3B

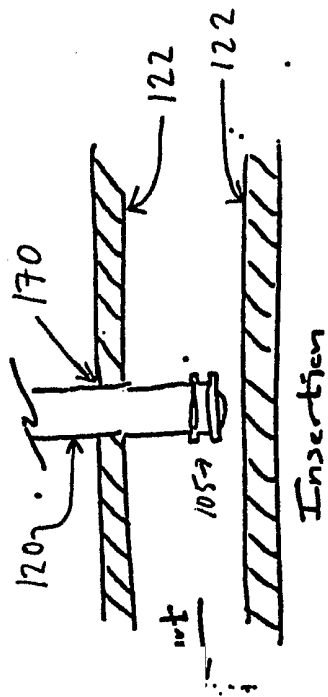


FIG. 3A

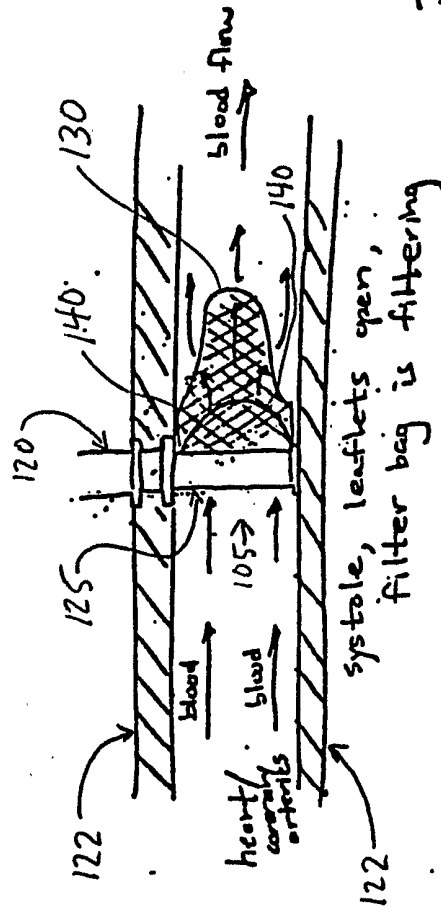


FIG. 3C

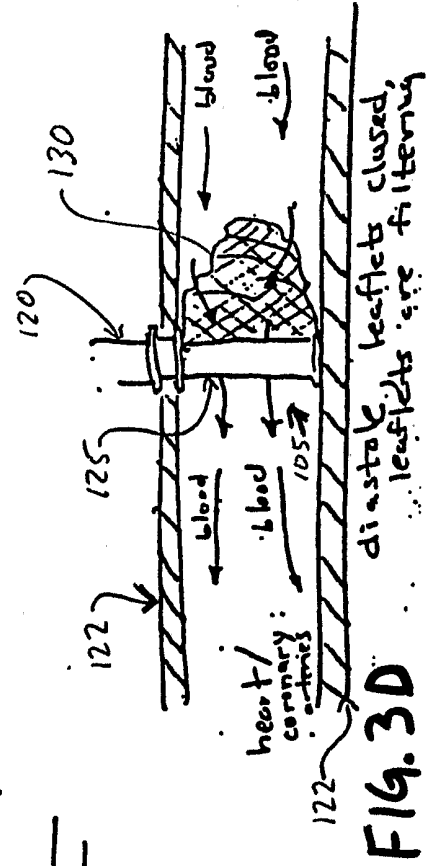
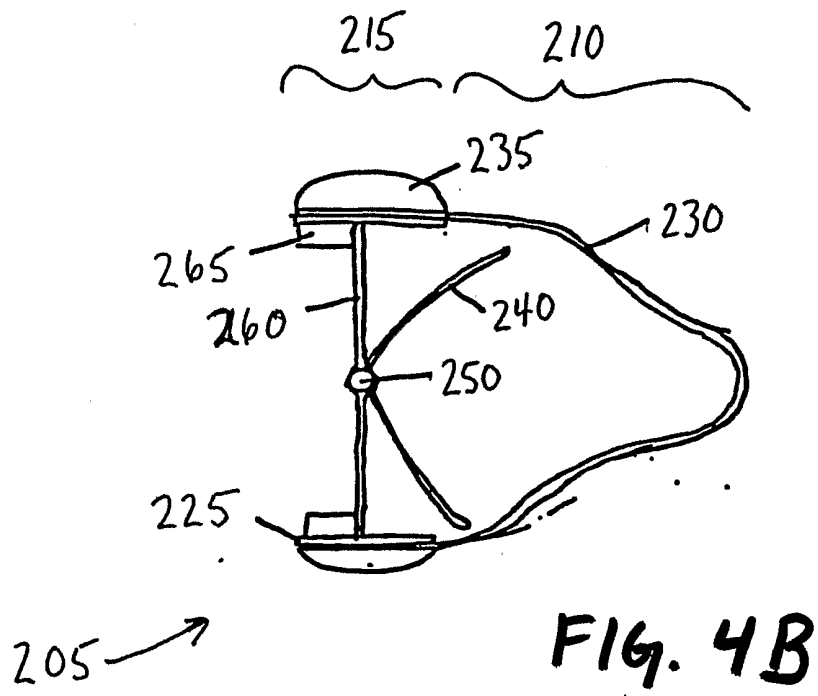
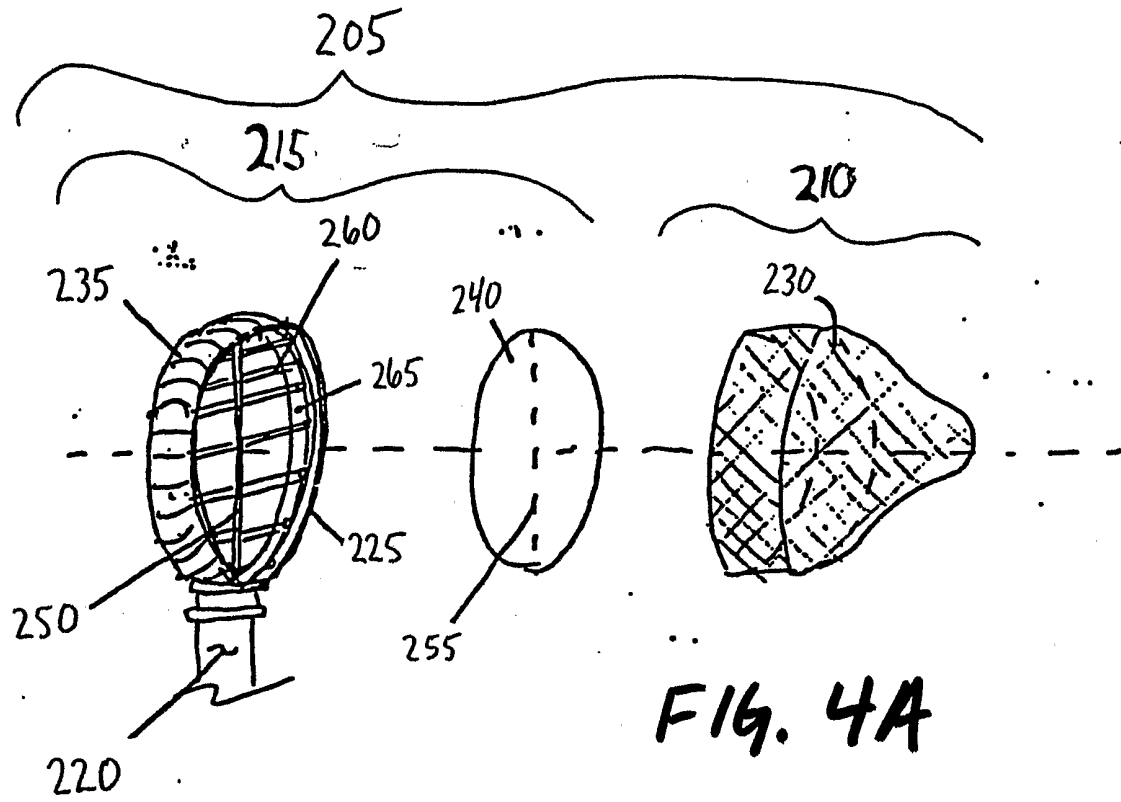


FIG. 3D



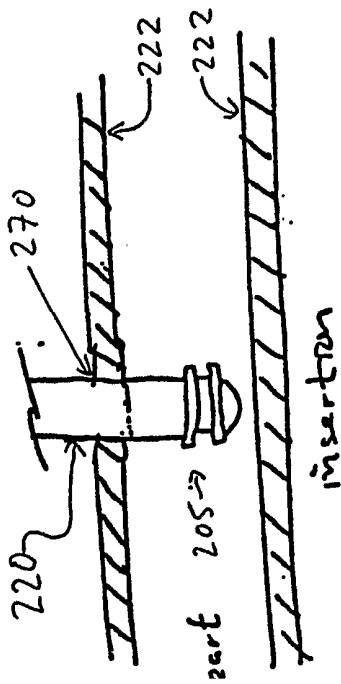


FIG. 5A

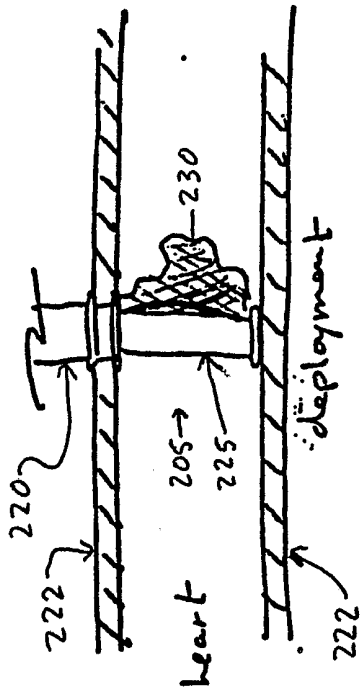


FIG. 5B

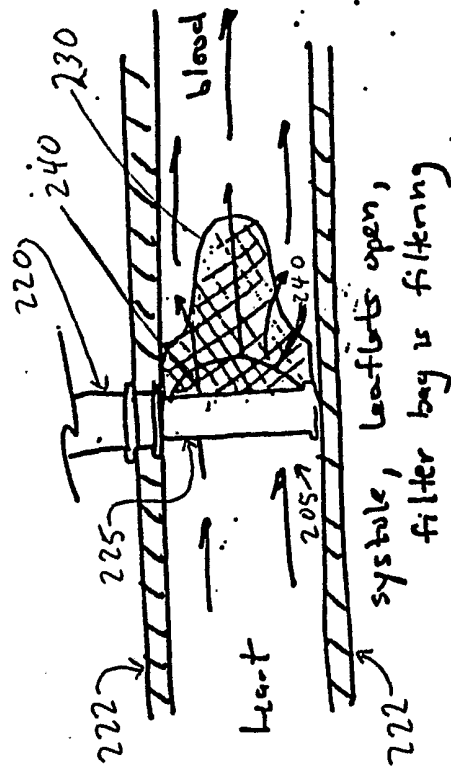


FIG. 5C

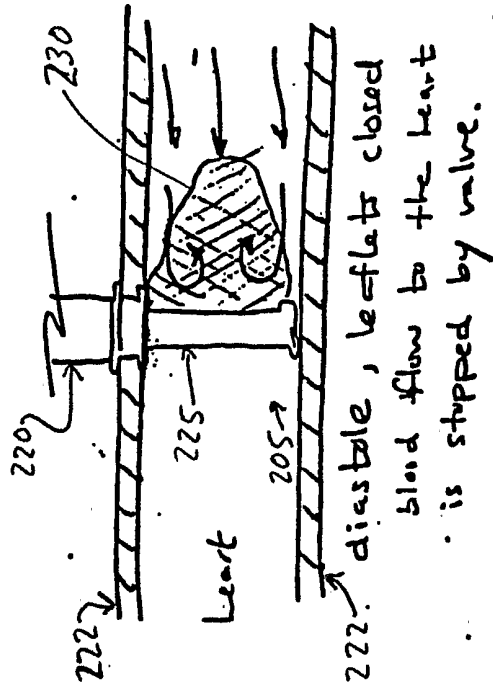


FIG. 5D

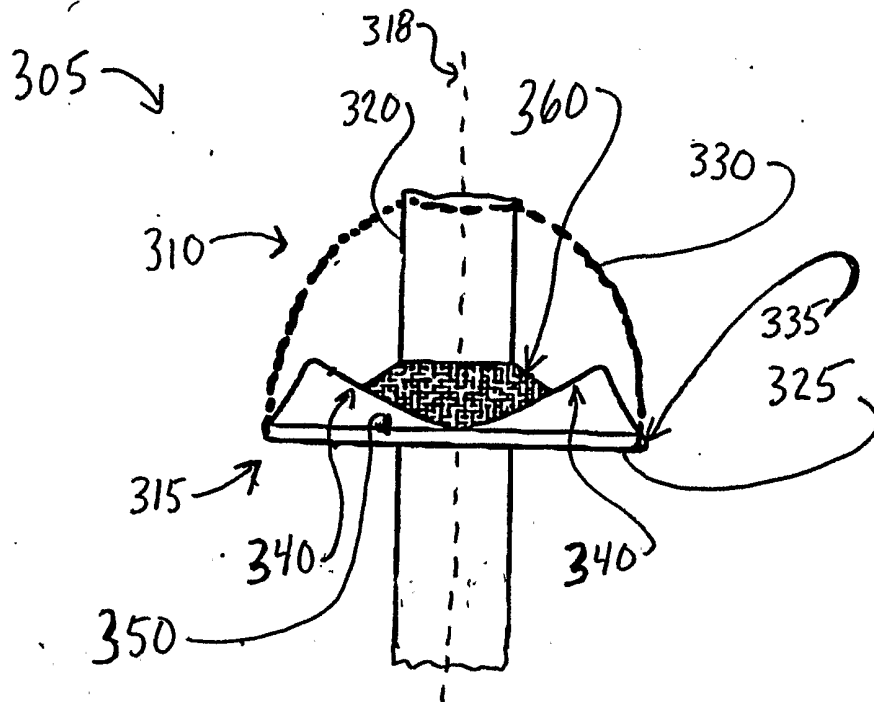


FIG. 6A

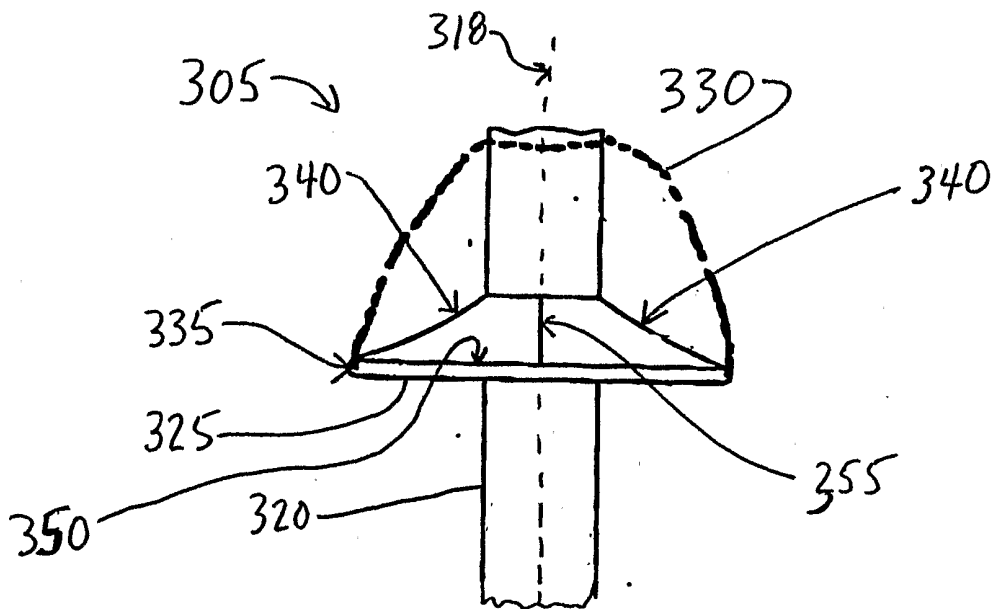


FIG. 6B

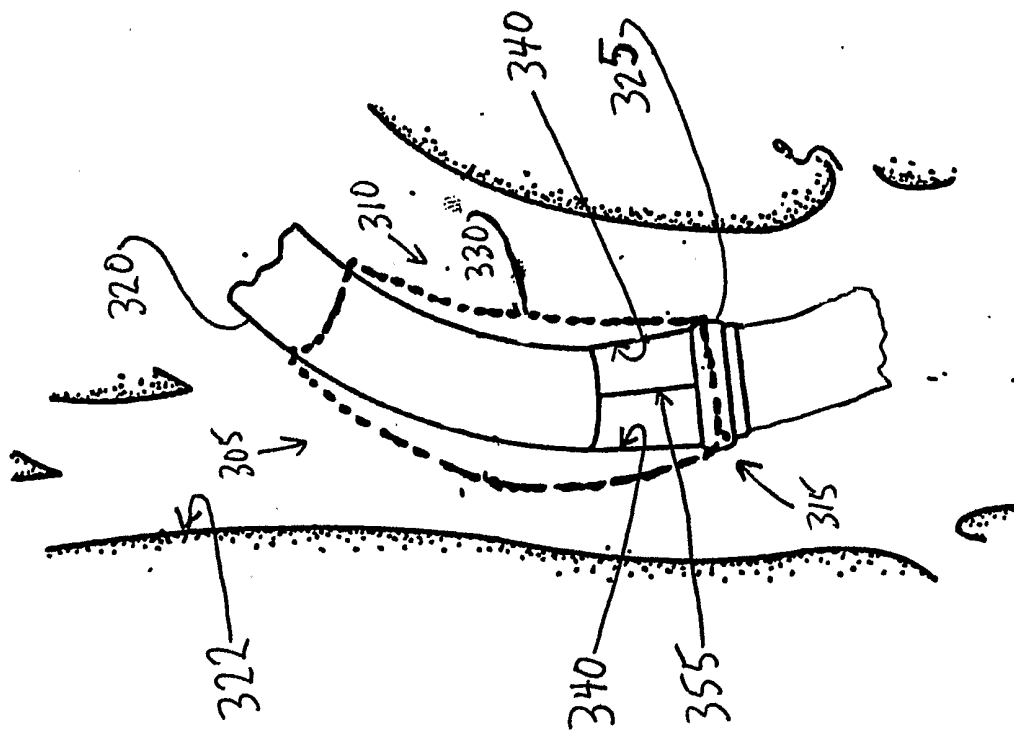


FIG. 6C

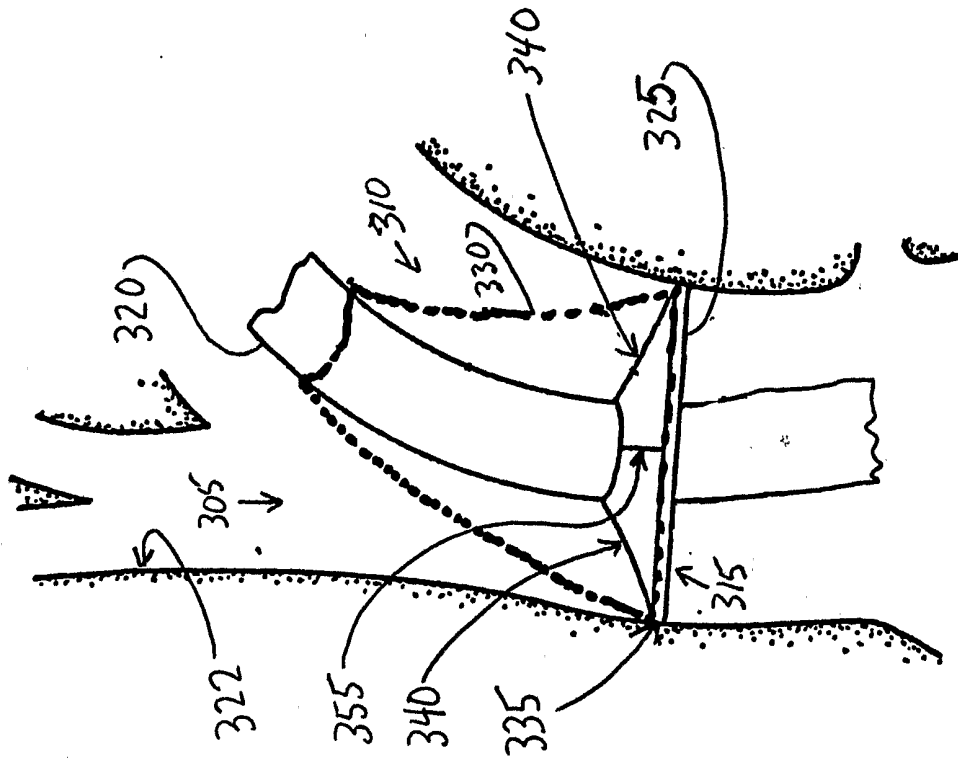


FIG. 6D

INTERNATIONAL SEARCH REPORT

International application No.
PCT/US01/20808

A. CLASSIFICATION OF SUBJECT MATTER

IPC(7) : A61M 29/00
US CL : 606/200; 623/2.17

According to International Patent Classification (IPC) or to both national classification and IPC

B. FIELDS SEARCHED

Minimum documentation searched (classification system followed by classification symbols)

U.S. : 606/200, 191, 110; 623/2.17

Documentation searched other than minimum documentation to the extent that such documents are included in the fields searched

Electronic data base consulted during the international search (name of data base and, where practicable, search terms used)

EAST

C. DOCUMENTS CONSIDERED TO BE RELEVANT

Category*	Citation of document, with indication, where appropriate, of the relevant passages	Relevant to claim No.
X	US 5,769,816 A (BABUT et al.) 23 JUNE 1998; Figs. 6-7.	1-7, and 14-20.

Further documents are listed in the continuation of Box C. See patent family annex.

* Special categories of cited documents:	"T"	later document published after the international filing date or priority date and not in conflict with the application but cited to understand the principle or theory underlying the invention
"A" document defining the general state of the art which is not considered to be of particular relevance	"X"	document of particular relevance; the claimed invention cannot be considered novel or cannot be considered to involve an inventive step when the document is taken alone
"E" earlier document published on or after the international filing date	"Y"	document of particular relevance; the claimed invention cannot be considered to involve an inventive step when the document is combined with one or more other such documents, such combination being obvious to a person skilled in the art
"L" document which may throw doubts on priority claim(s) or which is cited to establish the publication date of another citation or other special reason (as specified)	"&"	document member of the same patent family
"O" document referring to an oral disclosure, use, exhibition or other means		
"P" document published prior to the international filing date but later than the priority date claimed		

Date of the actual completion of the international search 22 SEPTEMBER 2001	Date of mailing of the international search report 27 DEC 2001
Name and mailing address of the ISA/US Commissioner of Patents and Trademarks Box PCT Washington, D.C. 20231 Facsimile No. (703) 305-3230	Authorized officer VY Q. BUI <i>Diane Smith f</i> Telephone No. (703) 306-3420