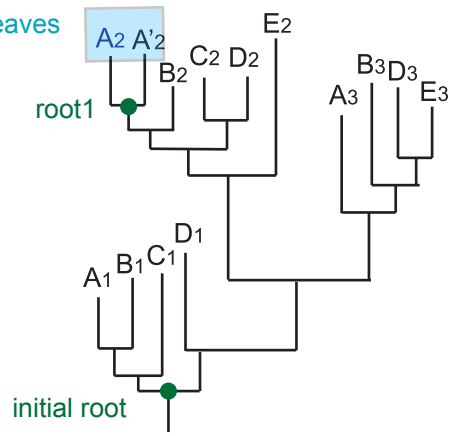


A

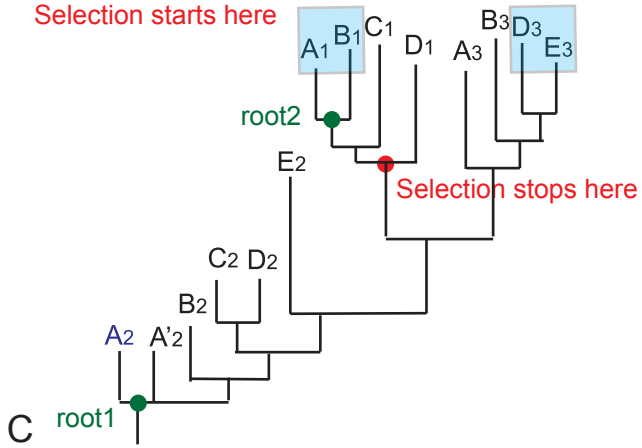
The most distant leaves from the root:



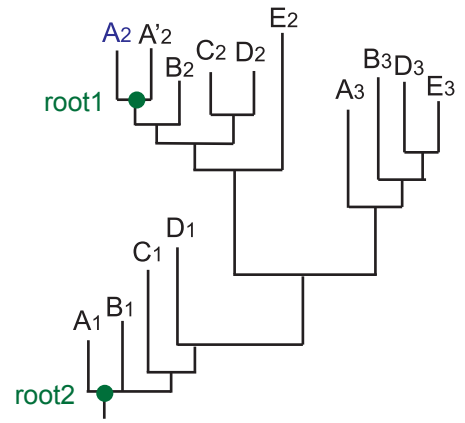
B

The most distant leaves from the root:

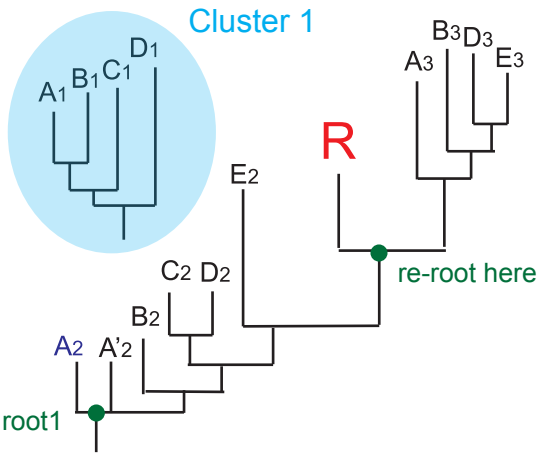
Selection starts here



C

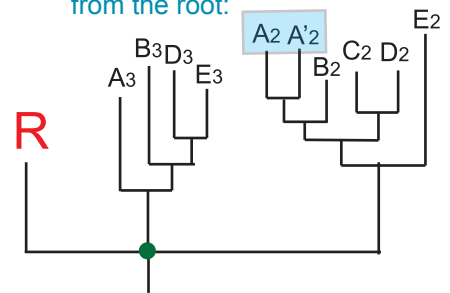


D



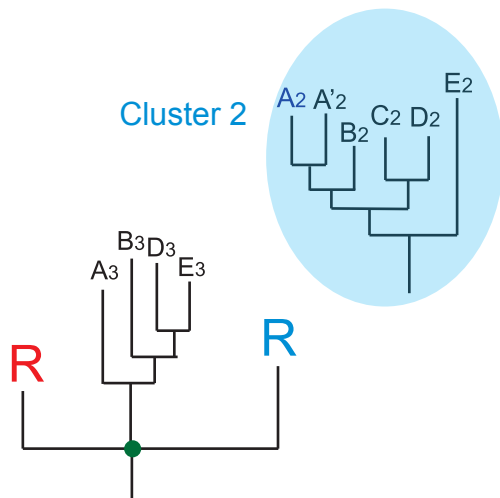
E

The most distant leaves from the root:



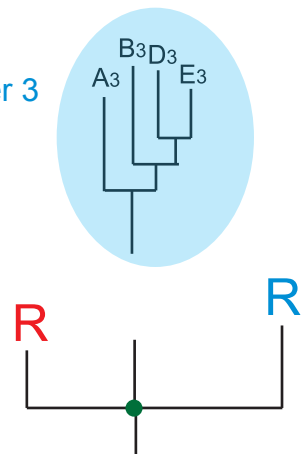
F

Cluster 2



G

Cluster 3



H