



THE UNIVERSITY *of* EDINBURGH

Edinburgh Research Explorer

Bayesian inference for queueing networks and modeling of internet services

Citation for published version:

Sutton, C & Jordan, MI 2011, 'Bayesian inference for queueing networks and modeling of internet services' Annals of Applied Statistics, vol 5, no. 1, pp. 254-282. DOI: 10.1214/10-AOAS392

Digital Object Identifier (DOI):

[10.1214/10-AOAS392](https://doi.org/10.1214/10-AOAS392)

Link:

[Link to publication record in Edinburgh Research Explorer](#)

Document Version:

Publisher's PDF, also known as Version of record

Published In:

Annals of Applied Statistics

General rights

Copyright for the publications made accessible via the Edinburgh Research Explorer is retained by the author(s) and / or other copyright owners and it is a condition of accessing these publications that users recognise and abide by the legal requirements associated with these rights.

Take down policy

The University of Edinburgh has made every reasonable effort to ensure that Edinburgh Research Explorer content complies with UK legislation. If you believe that the public display of this file breaches copyright please contact openaccess@ed.ac.uk providing details, and we will remove access to the work immediately and investigate your claim.



BAYESIAN INFERENCE FOR QUEUEING NETWORKS AND MODELING OF INTERNET SERVICES

BY CHARLES SUTTON AND MICHAEL I. JORDAN

University of Edinburgh and University of California

Modern Internet services, such as those at Google, Yahoo!, and Amazon, handle billions of requests per day on clusters of thousands of computers. Because these services operate under strict performance requirements, a statistical understanding of their performance is of great practical interest. Such services are modeled by networks of queues, where each queue models one of the computers in the system. A key challenge is that the data are incomplete, because recording detailed information about every request to a heavily used system can require unacceptable overhead. In this paper we develop a Bayesian perspective on queueing models in which the arrival and departure times that are not observed are treated as latent variables. Underlying this viewpoint is the observation that a queueing model defines a deterministic transformation between the data and a set of independent variables called the service times. With this viewpoint in hand, we sample from the posterior distribution over missing data and model parameters using Markov chain Monte Carlo. We evaluate our framework on data from a benchmark Web application. We also present a simple technique for selection among nested queueing models. We are unaware of any previous work that considers inference in networks of queues in the presence of missing data.

1. Introduction. Modern Internet services, such as those at Google, Yahoo!, and Amazon, serve large numbers of users simultaneously; for example, both eBay and Facebook claim over 300 million users worldwide.¹ To handle these demands, large-scale Web applications are run on clusters of thousands of individual networked machines, allowing large numbers of requests to be served by processing different requests in parallel on different machines. Each individual machine also processes multiple requests simultaneously, and a typical request involves computation on many machines. Web services also operate under strict performance requirements. It is extremely important to minimize a site's *response time*—that is, the amount of time required for a Web page to be returned in response to the

Received January 2010; revised July 2010.

Key words and phrases. Queueing networks, performance modeling, Markov chain Monte Carlo, latent-variable models, Web applications.

¹eBay: Franco Travostino and Randy Shoup, Invited talk at workshop on Large Scale Distributed Systems and Middleware (LADIS) 2009, available at <http://www.facebook.com/press/info.php?statistics>. Retrieved 3 November 2009.

user's request—because even small delays, such as 100 ms, are sufficient to cause a measurable decrease in business.²

Developers of Web applications are concerned with two types of statistical questions about performance. The first involve prediction of the response time of the application under new conditions, for example, if ten more Web servers were to be added, or if the number of users were to double. These extrapolation-type questions are crucial for configuring systems and for attempting to assess the robustness of a system to a spike in load. The second type of statistical question involves diagnosing the cause of observed poor performance in the system. For example, a Web service could run slowly because one component of the system, such as a database, is overloaded, meaning that it is receiving more requests than it can handle quickly. Or, an alternative explanation is that the database is not overloaded, but is too slow even at low request rates, for example, because it is configured incorrectly. It is important to distinguish these two potential diagnoses of a performance problem, because their remedies are different.

Both hypothetical and post hoc questions can be answered using a *performance model*, which is essentially a regression of system performance, such as the response time, onto the workload and other covariates. Perhaps the most popular models are networks of queues [e.g., Kleinrock (1973)]. For example, in a Web service, it is natural to model each server by a single queue, and connect the queues using our knowledge of how requests are processed by the system. Queueing networks allow analysts to incorporate two important forms of qualitative prior knowledge: first, the structure of the queueing network can be used to capture known connectivity, and second, the queueing model inherently incorporates the assumption that the response time explodes when the workload approaches the system's maximum capacity. This allows the model to answer hypothetical extrapolation-type questions in a way that simple regression models do not.

Two inferential tasks will be of primary concern in this work. The first is inference about the parameters of the queueing network. This allows answering the hypothetical extrapolation-type questions by simulating from the network. For example, if we wish to know how well the system will perform if the request rate doubles, we can simply simulate from the queueing network with the inferred parameters but doubling the arrival rate. The second task is to infer for each request to the system how much time was spent in the queue—this is called the *waiting time*—and how much time was spent in processing after the request reached the head of the queue—this is called the *service time*. This allows us to infer if any system components are overloaded, because requests to those components will have large waiting times.

²For measurements of this phenomenon at Google and Microsoft, see <http://velocityconference.blip.tv/file/2279751/>. See also <http://perspectives.mvdirona.com/2009/10/31/TheCostOfLatency.aspx>.

However, the inferential setup is complicated by the fact that Web services operate under strict performance requirements, so that data must be collected in a manner that requires minimal overhead. Observation schemes whose overhead is trivial for a small number of requests can cause unacceptable delay in a site that receives millions of requests per day. For this reason, incomplete observation schemes are common; for example, the data set might contain the total number of requests that arrive per second, and the response time for 10% of the requests. The goal behind such a scheme is to minimize the amount of computation and storage required to collect the data, at the expense of increasing the complexity of the analysis.

In this paper we introduce a novel inferential framework for networks of queues with incomplete data. The main idea is to view a network of queues as a direct model of the arrival and departure times of each request, treating the arrival and departure times that have not been measured as missing data. Underlying this viewpoint is the observation that a queueing model defines a deterministic transformation from a set of independent variables, namely, the service times, to the arrival and departure times, which can be observed. This deterministic transformation is described in detail in Section 2. This perspective is general enough to handle fairly advanced types of queueing models, including general service distributions, multi-processor queues and processor-sharing queues [Kleinrock (1973)]. With this perspective in hand, the unmeasured arrival and departures can be approximately sampled from their posterior distribution using Markov chain Monte Carlo (MCMC). Once we can resample the arrival and departure times, it is straightforward to estimate the parameters of the network, either in a Bayesian framework or in a maximum likelihood framework using Monte Carlo EM.

The design of posterior sampling algorithms presents technical challenges that are specific to queueing models, mainly because the missing arrival and departure times have complex deterministic dependencies, for example, that each arrival time must be less than its associated departure time, and that a departure time from one queue in the network will necessarily equal an arrival time at some other queue in the network. We are unaware of previous work that considers missing data in networks of queues.

2. Modeling. Many computer systems are naturally modeled as networks of queues. Much work has been concerned with *distributed systems* in which the computation required by a single request is shared over a large number of individual machines. For example, Web services in particular are often designed in a “three tier” architecture (Figure 1), in which the first tier is a presentation layer that generates the Web page containing the response, the second tier performs application-specific logic, and the third tier handles long-term storage, often using a database. In order to handle the high request rates that are typical of a Web service, each tier actually consists of multiple individual machines that are equivalent in function. When a request for a Web page arrives over the Internet, it is randomly assigned to one of the servers in the first tier, which makes requests to the second tier as

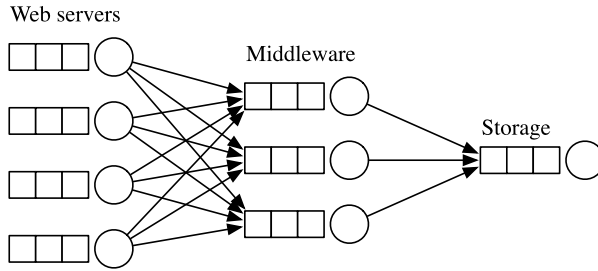


FIG. 1. A queuing network model of a three-tier Web service. The circles indicate servers, and the boxes indicate queues.

necessary to generate the response. In turn, the second tier makes requests to the third tier when data is required from long-term storage, for example, data about a user's friends in a social networking site, or data about Web pages that have been downloaded by a search engine.

It is natural to model a distributed system by a network of queues, in which one queue models each individual machine in the system. The queues are connected to reflect our knowledge of the system structure. For example, in a Web service, we might model the processing of a request as follows: Each request is randomly assigned to one of the queues in the first tier, waits if necessary, is served, repeats this process on the second and third tiers, and finally a response is returned to the user. (In reality, the first tier may call the second tier multiple times to serve a single request, but we ignore this issue for modeling simplicity.)

Thus, each external request to the system might involve processing at many individual queues in the network. To keep the terminology clear, we will say that a *job* is a request to one of the individual queues, and a *task* is the series of jobs that are caused by a single external request to the system. For example, consider a Web service that is modeled by the queueing network in Figure 1. A task represents the entire process of the system serving an external request that arrives over the Web. A typical task in this model would comprise three jobs, one for each tier of the system.

In order to define a probabilistic model over the arrival and departure times of each job, we need to model both (a) which queues are selected to process each job in a task and (b) the processing that occurs at each individual queue. For (a), we model the sequence of queues traversed by a task as a first-order Markov chain. We call this sequence of queues the *path* of that task. A task completes when the Markov chain reaches a designated final state, so that the number of jobs in each task is potentially random.

Second, to model the processing at individual queues, we consider several different possibilities. In the simplest model, each individual machine can process one job at a time, in the order that they arrive; this is called a *single-processor first-come first-served (FCFS)* queue. In this model, jobs arrive at the system according to some point process, such as a Poisson process. The *interarrival times* δ_e

for each job e are assumed to be drawn independently from some density g . The arrival times themselves are denoted a_e . Once a job arrives, it waits in the queue until all previous jobs have departed. The amount of time spent in the queue is called the *waiting time*. Finally, once the job arrives at the head of the queue, it spends some amount of time in processing, called the *service time* s_e , which we assume to be drawn from some density f . The interarrival times and service times for all jobs are mutually independent. Once the service time has elapsed, the job leaves the system, and the next job can enter service. The departure time of job e is denoted d_e , and the time that e enters service is called the *commencement time* u_e . Finally, we use \mathbf{a} to represent the vector of arrival times for all jobs, and, similarly, \mathbf{d} represents the vector of departure times.

There is a more general way to view this model, which will be useful in treating the more complex queueing disciplines considered later in this section. In this view, we imagine that all of the interarrival times δ_e and service times s_e are drawn independently at the beginning of time. Then the arrival and departure times are computed from these variables via a deterministic transformation, which is given by solving the system of equations

$$(1) \quad \begin{aligned} a_e &= \delta_e + a_{e-1}, \\ d_e &= s_e + \max[a_e, d_{e-1}]. \end{aligned}$$

This transformation is one-to-one, so that observing all of the arrival and departure times is equivalent to observing the i.i.d. service and interarrival times. In the remainder of this paper, the queueing regimes that we consider are more complex, but still they can all be viewed in this general framework, with different types of queues using different transformations.

The *response time* r_e of a job e is simply the total amount of time that the job requires to be processed, including both waiting and service, that is, $r_e = d_e - a_e$. The *waiting time* w_e of a job is the amount of time that the job spends in the queue, that is, the response time minus the service time, so that $r_e = w_e + s_e$. In this way, a queueing model can be interpreted as decomposing the response time of a job into two components: the waiting time, which models the effect of workload, and the service time, which is independent of workload, and models the amount of processing which is intrinsically required to service the job.

In the remainder of this section we describe three more sophisticated queueing regimes from this perspective: multiprocessor first-come first-served (FCFS) queues (Section 2.1), queues which employ random selection for service (RSS) (Section 2.2), and processor sharing (PS) queues (Section 2.3). In all of those sections we describe single-queue models. Finally, in Section 2.4 we place these single-queue models within the context of a general framework for queueing networks.

2.1. *Multiprocessor FCFS queues.* In an FCFS queue, requests are removed from the queue in a first-come first-served (FCFS) manner. The queue is allowed to process K requests simultaneously, so no requests need to wait in queue until $K + 1$ requests arrive. This is called a K -processor FCFS queue.

As before, the interarrival times δ_e are distributed independently according to some density g , and the resulting arrival times are defined as $a_e = a_{e-1} + \delta_e$ for all e . The departure times are more complex. First, the service times $s_e \sim f$ are distributed independently of each other and the interarrival times. Then, to transform the service times into departure times, observe that a job enters service when at least one of the K processors is free, that is, when all but $K - 1$ of the previous jobs have departed. So we introduce auxiliary variables p_e to indicate which of the K servers has been assigned to job e , the time b_{ek} to indicate the first time after job e arrives that the server k would be clear, and c_e to indicate the first time after e arrives that any of the K servers are clear. Then the departure times d_e can be computed by solving the system of equations

$$(2) \quad \begin{aligned} b_{ek} &= \max\{d_{e'} \mid a_{e'} < a_e \text{ and } p_{e'} = k\}, & c_e &= \min_{k \in [0, K)} b_{ek}, \\ p_e &= \arg \min_{k \in [0, K)} b_{ek}, & u_e &= \max[a_e, c_e], & d_e &= s_e + u_e. \end{aligned}$$

To obtain the joint density over arrival and departure times, we require the Jacobian of the transformation $(\mathbf{a}, \mathbf{d}) \mapsto (\mathbf{s}, \delta)$ that maps the vector of arrival and departure times to the i.i.d. interarrival and service times. Fortunately, the Jacobian matrix J of this map is triangular, because any a_e depends only on $\delta_1, \delta_2, \dots, \delta_e$, and any d_e depends on $\delta_1, \delta_2, \dots, \delta_N$ and s_1, s_2, \dots, s_e . So

$$|\det J(\mathbf{a}, \mathbf{d})| = \prod_{e=1}^N \left| \frac{\partial \delta_e}{\partial a_e} \right| \cdot \left| \frac{\partial s_e}{\partial d_e} \right| = 1,$$

where the jobs are indexed by $e \in [1, N]$.

The joint density over arrival and departure times is therefore

$$(3) \quad p(\mathbf{a}, \mathbf{d}) = \prod_{e=1}^N g(a_e - a_{e-1}) f(d_e - u_e).$$

2.2. *RSS queues.* In an RSS queue, when the processor finishes a job, the next job to be processed is chosen randomly from all jobs currently in queue. (RSS stands for Random Selection for Service.) As before, interarrival and service times are generated from f and g independently. To compute the arrival and departure times, define $\gamma(e)$ as the predecessor of job e in the departure order of the queue and Q_e as the set of jobs in queue when e departs. Both these variables and the departure times can be computed from the interarrival and service times by the

system of equations

$$(4) \quad \begin{aligned} u_e &= \max[a_e, d_{\gamma(e)}], & Q_e &= \{e' \mid a_{e'} < d_e \text{ and } d_e < d_{e'}\}, \\ d_e &= s_e + u_e, & \gamma^{-1}(e) &= \begin{cases} \text{Random}(Q_e), & \text{if } Q_e \neq \emptyset \\ \arg \min_{\{e' \mid d_e < a_{e'}\}} a_{e'}, & \text{otherwise,} \end{cases} \end{aligned}$$

where $\text{Random}(S)$ indicates an element of the set S , chosen uniformly at random. Notice that $\gamma(e)$ is always the job immediately preceding e in the departure order of the queue.

The likelihood for this model contains two types of factors: one that arises from the service density, and one that arises from the random selection of jobs from the queue. For the latter purpose, let $N(t)$ be the number of jobs in the system at time t , so that $N(u_e)$ is the number of jobs in queue when e enters service, that is,

$$(5) \quad N(u_e) = 1 + \#\{e' \mid a_{e'} < a_e \text{ and } u_e < d_{e'}\}.$$

Then the joint density over arrivals and departures is

$$(6) \quad p(\mathbf{a}, \mathbf{d}) = \prod_{e=1}^N N(u_e)^{-1} g(a_e - a_{e-1}) f(d_e - u_e),$$

where, using similar reasoning to the FCFS case, it can be shown that the Jacobian of the map $(\mathbf{a}, \mathbf{d}) \mapsto (\delta, \mathbf{s})$ is 1.

2.3. Processor sharing queues. A processor sharing (PS) queue [Kleinrock (1973)] is designed to model computer systems that handle multiple jobs simultaneously on a single processor via time sharing. One way to understand this queue is to imagine the system as if it were in discrete time, with each time slice consuming some time $\Delta t > 0$. When a job e arrives at the queue, it samples a total service time $s_e \in \mathfrak{R}$. Then, at each time slice t , all of the $N(t)$ jobs remaining in the system have their service times reduced by $\Delta t/N(t)$. Once the remaining service time of a job drops below zero, it leaves the queue. The PS queue arises in the limit as $\Delta t \rightarrow 0$. Intuitively, each job in the system at any time t instantaneously receives $1/N(t)$ of the system’s processing power.

Precisely, the PS queue defines a distribution over arrival and departure times as follows. First, the interarrival times δ_e are distributed independently according to g , and the service times s_e independently according to f . Then, the arrival times are computed as $a_e = a_{e-1} + \delta_e$. Finally, the departure times are defined as the solution to the system of equations

$$(7) \quad \begin{aligned} N(t) &= \sum_{e=1}^N \mathbf{1}_{\{a_e < t\}} \mathbf{1}_{\{t < d_e\}}, \\ s_e &= \int_{a_e}^{d_e} \frac{1}{N(t)} dt. \end{aligned}$$

These equations can be solved iteratively by alternately holding the function $N(t)$ fixed and solving the second equation for d_e , and then holding d_e fixed and solving the first equation for $N(t)$. This procedure converges because $N(t)$ and all d_e can only increase at each iteration, and both are bounded from above.

The joint density in this case is complicated by a Jacobian term, which, unlike in FCFS and RSS queues, does not vanish. To compute the Jacobian, observe that $1/N(t)$ is a step function with knots whenever a job arrives or departs. For a job e , denote the knots that occur in $[a_e, d_e]$ as $a_e = x_1 < x_2 < \dots < x_M = d_e$. So (7) can be rewritten as

$$s_e = \sum_{m=2}^M \frac{x_m - x_{m-1}}{N(x_{m-})}$$

where we write $N(x_{m-})$ to mean the number of jobs in the queue at a time infinitesimally before x_m . Each one of the values x_m is either an arrival time of some other job, or the departure time of a job preceding d_e in the departure order. So $\partial s_i / \partial d_j = 0$ if $d_i < d_j$, and the Jacobian matrix is again triangular. Further, x_1, \dots, x_{m-1} is not a function of d_e , so $\partial s_e / \partial d_e = N(d_{e-})^{-1}$. So the joint density is

$$(8) \quad p(\mathbf{a}, \mathbf{d}) = \prod_e N(d_{e-})^{-1} g(a_e - a_{e-1}) f(s_e).$$

2.4. *Networks of queues.* In this section we present a model of the paths taken by tasks through a network of queues. We also bring this model together with the single-queue models discussed in previous sections and present a full probabilistic model of networks of queues.

We begin by developing notation to describe the path of a task through the system. For any job e , we denote the queue that serves the job as q_e . Every job has two predecessors: a within-queue predecessor $\rho(e)$, which is the immediately previous job (from some other task) to arrive at q_e , and a within-task predecessor $\pi(e)$, which is the immediately previous job from the same task as e . Finally, arrivals to the system as a whole are represented using special *initial jobs*, which arrive at a designated initial queue q_0 at time 0 and depart at the time that the task enters the system. The queue q_0 is always single processor FCFS. This simplifies the notation because now the interarrival times are simply service times at the initial queue.

With this notation, a queueing network model can be defined as follows:

1. For every task, the path of queues is distributed according to a Markov chain. We denote the transition distribution of this Markov chain as $T(q'|q)$. This is a distribution over sequences of queues, so it is a finite-state Markov chain. The initial state of the chain is always q_0 . To specify $T(q'|q)$, we assume that the modeler has defined a network structure based on prior knowledge, such as the three-tier structure shown in Figure 1. This structure defines all of the possible

successors of a queue q , that is, all the queues q' for which $T(q'|q)$ is nonzero; once this structure is specified, we assume that $T(q'|q)$ is uniform over the possible successors.

2. The arrival time for each initial job is set to zero.
3. Each service time s_e is distributed independently according to the service density for q_e . We will denote this density as $f_q(s; \theta_q)$, where θ_q are the parameters of the service distribution. In the current work, we use exponential distributions over the service times so that

$$(9) \quad f_q(s; \theta_q) = \theta_q \exp\{-\theta_q s\},$$

but our sampling algorithms are easily extended to general service distributions.

4. The departure times are computed by solving the system of equations that includes: (a) for every queue in the network, the equations in (2), (4), or (7), as appropriate (the queues in the network need not all be the same type), and (b) for all noninitial jobs, the equation $d_{\pi(e)} = a_e$. We call this system of equations the *departure time equations*.

The full set of model parameters is simply the set of parameters for all the service distributions, that is, the full parameter vector $\theta = \{\theta_q \mid q \in \mathcal{N}\}$, where \mathcal{N} is the set of all queues in the network.

Now we present the joint density more formally. The density can be derived in a similar fashion as that for single queues. We write $s_e(\mathbf{d})$ to denote the service time for job e that would result from the departure times \mathbf{d} ; this is the inverse of the transformation defined by the departure time equations. Because different queues are allowed to use different queueing regimes, different jobs will have different Jacobian terms, depending on their queue type. Fortunately, the Jacobian matrix in a network of queues model is still upper triangular, as can be seen by ordering the jobs from all queues by their departure time. This means that the joint density can still be written as a product over jobs.

So the joint density is

$$(10) \quad p(\mathbf{d}, \mathbf{q}|\theta) = \prod_e T(q_e|q_{\pi(e)})h(q_e, s_e, d_e)f(s_e(\mathbf{d}); \theta_{q_e}),$$

where the function h is the queue-specific part of the likelihood:

$$(11) \quad h(q_e, s_e, d_e) = \begin{cases} 1, & \text{if } q_e \text{ is an FCFS queue,} \\ N(d_e - s_e), & \text{if } q_e \text{ is an RSS queue,} \\ N(d_{e-}), & \text{if } q_e \text{ is a PS queue.} \end{cases}$$

The likelihood (10) is a product over events, where for each event e there are three terms: the first involving T arises from the paths for each task, the second involving h is the queue-specific term, and the third involving f arises from the service time for event e . Finally, observe that we no longer need to include terms for the interarrival times, because of our convention concerning initial tasks.

We will present both maximum likelihood and Bayesian approaches to estimation. For the Bayesian approach, we need a prior on θ to complete the model. In this work we use the simple improper prior $p(\theta) = \prod_q 1/\theta_q$, where the product is over all queues in the network. (This choice does mean that there is a nonzero probability in the prior and the posterior that the system is unstable; we discuss this issue in Section 9.)

To summarize, the key insight here is to view the queueing network as a deterministic transformation from service times to departure times, via the departure time equations. The distinction between service times and departure times is important statistically, because while the service times are all i.i.d., the departure times have complex dependencies. For example, if $K = 1$, then the FCFS queue imposes the assumption that the arrival order is the same as the departure order. This assumption is relaxed in the more complex models (i.e., $K > 1$ or RSS), but still some combinations of arrivals and departures are infeasible. For example, in an RSS queue, whenever a job e arrives at a nonempty queue, at least one other job must depart before e can enter service. In a PS queue, on the other hand, all combinations of arrivals and departures are feasible, so long as all $a_e \leq d_e$.

REMARK. Because the distribution $p(\mathbf{d}|\theta)$ is high-dimensional and has special discrete structure, it is natural to consider whether it can be interpreted as a graphical model [Lauritzen (1996)]. In fact, however, as explained in Section 3.4, this distribution cannot directly be represented as a graphical model in a useful way.

3. Inferential problem. In this section we describe the inferential setting in more detail, and also explain several complications in queueing models that make sampling from the posterior distribution more difficult than in traditional multivariate models.

3.1. *Missing data.* First we examine the nature of the observations. If the arrival, departure, and path information for every job were observed, then it would be straightforward to compute the interarrival and service times, by inverting the departure time equations (Section 2.4). Once the observations have been transformed in this way, they are independent, so inference is straightforward.

In practice, however, complete data are not always available. One reason for this is that the performance cost of recording detailed data about every request can be unacceptable in a system that receives millions of requests per day. Another reason is that systems are built using hardware components and software libraries from outside sources. The performance characteristics of these outside components may not be fully understood, so there may also be queueing effects in the system that are unknown to the system developers; this possibility will be discussed further in Section 8.

We model the data collection process abstractly as follows. Whenever a task arrives at the system, it is chosen for logging with some probability p . For tasks that are not chosen, which we call *hidden tasks*, no information is recorded. For tasks that are chosen, which we call *observed tasks*, the arrival time, departure time, and queue for every job in the task are recorded. Also, whenever a task is observed, we record the total number of tasks, both observed and hidden, that have entered the system. This provides additional information about the amount of workload over time, and is easy to collect in actual systems. Formally, the data can be described as follows. Let \mathcal{T} be the set of tasks that are chosen to be observed; each task A is a set of jobs $e \in A$. Let $d_0(A)$ be the departure time of the initial job for task A . Let $N_0(t)$ be the number of tasks, both observed and hidden, that have entered the system by time t . Then the data are $O = \{(N_0(d_0(A)), J_A) \mid A \in \mathcal{T}\}$, where $J_A = \{(a_e, d_e, q_e) \mid e \in A\}$.

More sophisticated observation schemes are certainly possible. For example, if the response time of the system appears to be increasing, we may wish to collect data more often, in order to give developers more information with which to debug the system. Or, we may use a stratified approach, in which we collect detailed information from a random sample of all tasks, from a random sample of tasks in the top 10th percentile of response time, and so on. We will not consider such adaptive schemes in this work.

3.2. Inference. We consider both Bayesian and maximum likelihood approaches to inference in this work. In either case, the key difficulty is to sample from the posterior distribution over missing data. In particular, two posterior distributions will be of interest. Recall that in a queueing model, the response time r_e of a job is divided into two components as $r_e = w_e + s_e$, where the service time s_e represents the processing time that is intrinsically required for the job, and the waiting time w_e represents the additional delay due to workload on the system. Then the first posterior distribution of interest is the distribution $p(\mathbf{s} \mid O, \theta)$ over the vector of service times \mathbf{s} for all jobs, hidden and observed. This distribution allows inference over the parameters of the service distributions for each queue. The second posterior distribution of interest is the distribution $p(\mathbf{w} \mid O, \theta)$ over the vector of waiting times \mathbf{w} for all jobs. This captures the fraction of the response time for each job that was caused by workload.

Thus, our setting can be viewed as a missing data problem, in which the missing data are the unrecorded departure times. Our goal will be to develop an MCMC sampler for the distribution $p(\mathbf{d} \mid O, \theta)$ over departure times. Once we have samples from $p(\mathbf{d} \mid O, \theta)$, we can obtain samples from $p(\mathbf{s} \mid O, \theta)$ and $p(\mathbf{w} \mid O, \theta)$ by inverting the departure time equations. Furthermore, once we have a sampler for $p(\mathbf{d} \mid O, \theta)$, parameter estimation is also straightforward. In a Bayesian approach, we simply alternate the sampler for $p(\mathbf{d} \mid O, \theta)$ with a Gibbs step for $p(\theta \mid \mathbf{d})$. In a maximum likelihood approach, we use stochastic EM [Celeux and Diebolt (1985)].

However, designing an efficient sampler for $p(\mathbf{d}|O, \theta)$ is complex, because the latent variables have many complex dependencies. In the next two subsections we describe these difficulties in more detail, highlighting their effect on the algorithm that we will eventually propose.

3.3. *Difficulties in proposal functions.* A natural idea is to sample from the posterior distribution over the missing data using either an importance sampler, a rejection sampler, or a Metropolis–Hastings algorithm. But designing a good proposal is difficult for even the simplest queueing models, because the shape of the conditional distribution varies with the arrival rate. To see this, consider two independent single-processor FCFS queues, each with three arrivals, as shown below:



Here the horizontal axis represents time, the vertical arrows indicate when jobs arrive at the system, and the boxes represent the intervals between when jobs enter service and when they finish, that is, the service times. The interarrival distribution is exponential with rate λ , and the service distribution is exponential with rate μ .

For each of these two queues, suppose that we wish to resample the arrival time of job 2, conditioned on the rest of the system state, as we might wish to do within a Gibbs sampler. In case 1, the queue is lightly loaded ($\lambda \ll \mu$), so the dominant component of the response time is the service time. Therefore, the distribution $a_2 = d_2 - \text{Exp}(\mu)$ is an excellent proposal for an importance sampler. (It is inexact because the shape of the distribution changes in the area $a_2 < d_1$.) In case 2, however, this proposal would be extremely poor, because in this heavily loaded case, the true conditional distribution is $\text{Unif}[a_1; a_3]$. A better proposal would be flat until the previous job departs and then decays exponentially. But this is precisely the behavior of the exact conditional distribution, so we consider that instead.

3.4. *Difficulties caused by long-range dependencies.* In this section we describe another difficulty in queueing models: the unobserved arrival and departure times have complex dependencies. Namely, modifying the departure time of one job can force modification of service times of jobs that occur much later, if all other arrival and departure times are kept constant. In the terminology of graphical modeling [Lauritzen (1996)], this means that the Markov blanket of a single departure can be arbitrarily large.

This can be illustrated by a simple example. Consider the two-processor FCFS queue shown in Figure 2. Panel 1 depicts the initial state of the sampler, from which

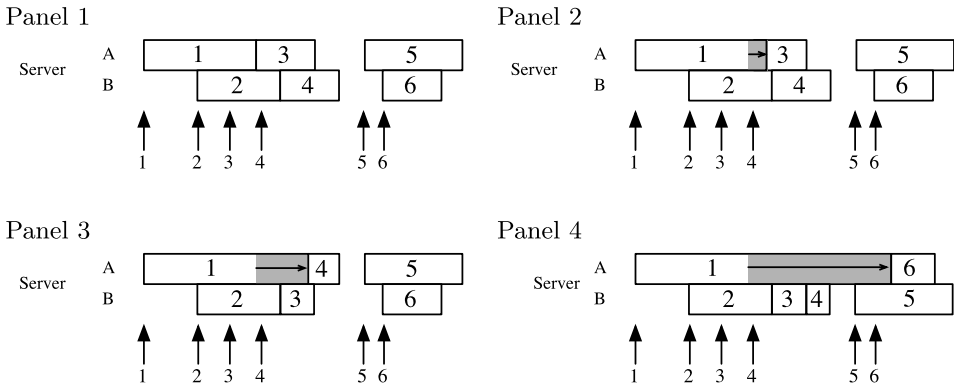


FIG. 2. A departure with a large Markov blanket.

we wish to resample the departure d_1 to a new value d'_1 , holding all departures constant, as we would in a Gibbs sampler, for example. Thus, as d_1 changes, so will the service times of jobs 3–6.

Three different choices for d'_1 are illustrated in panels 2–4 of Figure 2. First, suppose that d'_1 falls within the range (d_1, d_2) (second panel). This has the effect of shortening the service time s_3 without affecting any other jobs. If instead d'_1 falls in (d_2, d_4) (third panel), then both jobs 3 and 4 are affected: job 3 moves to server B, changing its service time; and job 4 enters service immediately after job 1 leaves. Third, if d'_1 falls even later, in (a_6, d_6) (fourth panel), then both jobs 3 and 4 move to server B, changing their service times; job 5 switches processors but is otherwise unaffected; and job 6 can start only when job 1 leaves. Finally, notice that it is impossible for d'_1 to occur later than d_6 if all other departures are held constant. This is because job 6 cannot depart until all but one of the earlier jobs depart, that is, $d_6 \geq \min[d'_1, d_5]$. So since $d_5 > d_6$, it must be that $d_6 \geq d'_1$.

This phenomenon complicates the development of a sampler because of the difficulty that it creates in computing the conditional distributions required by a Gibbs sampler, particularly in computing their normalizing constants. In the previous example, for instance, the conditional distribution over d_1 cannot in general be computed in closed form. But numerical integration of the unnormalized density is also difficult, because the density has singularities at the times when other jobs arrive and depart, for example, at times d_2, d_4 , and a_6 above. Furthermore, even without the normalizing constant, computing the density at some point d'_1 requires computing new values for the service times of the succeeding jobs. If the new value d'_1 affects many subsequent jobs, then the computational cost required to compute the conditional density will be large.

Furthermore, this point has important consequences from a representational perspective. It is natural to suspect that the distribution over arrival times, departure times, and auxiliary variables could be represented as a directed graphical

model. In fact, however, because the Markov blanket for each departure time is unbounded, the distribution over departure times cannot be represented as a graph in a useful way.

This may seem to present a severe difficulty, because sampling algorithms for high-dimensional multivariate distributions rely on the Markov blankets being small in order to achieve computational efficiency. Fortunately, even though the Markov blankets can be large, the “expected Markov blankets” are often small, by which we mean that these long-range effects occur only for large values of the departure times that are unlikely in the posterior. We expect that typical values of departure times will be smaller and will therefore have only local effects on the queue. This situation will be sufficient to allow us to develop a computationally efficient sampler.

Finally, note that the phenomenon in this example occurs even if the queue is Markovian, that is, if the interarrival and service times are exponentially distributed. Such queues are called Markovian because the process that governs the number of jobs in queue is a continuous-time Markov chain. However, the sequence of departure times (d_1, d_2, \dots, d_n) is *not* in general a discrete-time Markov chain, except in the special case in which the queue contains only one processor. This is one reason that analysis in queueing theory often focuses on the number-in-queue representation, but in our setting, the data contain arrival and departure times, and it is not possible to translate directly between the two representations when the data are incomplete.

4. Sampling. In this section we describe the details of a sampler that addresses the difficulties discussed in the previous section. We focus on the sampler for the posterior $p(\mathbf{d}|O)$ over the vector \mathbf{d} of all departure times. Once we have samples from this distribution, we can easily obtain samples of service times and waiting times by inverting the departure time equations, once for each of the departure samples. Furthermore, inference about the parameters can be performed in the usual fashion using either a Gibbs step over the model parameters in a Bayesian framework, or using Monte Carlo EM in a maximum likelihood framework. Exact sampling from the posterior $p(\mathbf{d}|O)$ is infeasible even for the simplest queueing models, so instead we sample approximately using Markov chain Monte Carlo (MCMC).

Our sampler is an instance of a slice sampler [Damien, Wakefield and Walker (1999); Neal (2003)]. We recall briefly the setup for slice sampling. Suppose that we wish to sample from a distribution with density $p(x)$, where x is real valued. This can be accomplished by sampling uniformly from the two-dimensional region under p , that is, the region $R = \{(x, u) \mid 0 < u < p(x)\}$, because this distribution has marginal $p(x)$. The slice sampler is essentially a coordinatewise Gibbs update that leaves the uniform distribution on R invariant. In the simplest version, given a current iterate (x, u) , the sampler alternates between (a) “vertically” sampling a new value u' from the uniform distribution on $(0, p(x))$, and (b) “horizontally”

sampling a new value x' uniformly from the so-called *horizontal slice*, that is, the set of points (x', u') where $(x', u') \in R$ and also $u' = u$. Both of these updates leave the uniform distribution over R invariant. In practice, the horizontal slice cannot be computed exactly, but Neal (2003) discusses several other horizontal updates in the same spirit that are easy to compute. For multivariate x , the slice sampler can be applied in turn to each component.

As described in the previous section, certain difficulties in queueing models make it difficult to apply simple Gibbs or Metropolis–Hastings samplers. The slice sampler circumvents these difficulties, because it requires only the ability to compute the unnormalized conditional density, not the ability to sample from it or to compute its normalizing constant. The following sections describe how we compute the unnormalized conditional density.

4.1. *Overview.* In each update of the sampler, we sample a new value of the departure time d_e for some job e , using a slice sampling kernel with stationary distribution $p(d_e | \mathbf{d}_{\setminus e})$, where $\mathbf{d}_{\setminus e}$ refers to the vector of all departure times but d_e . Because the slice sampler only requires the density up to a constant, it is sufficient to compute the joint $p(\mathbf{d})$.

The joint density can be computed pointwise for a given \mathbf{d} by inverting the departure time equations to obtain the corresponding set of service times, and then using (10). This equation contains a product over all N jobs. Computing this product naively at every update of the sampler would require $O(N)$ time, so that a full pass through the data would require $O(N^2)$ time. This quadratic computational cost is unacceptable for the large numbers of jobs that can be generated by a real system. Fortunately, this cost can be circumvented using a lazy updating scheme, in which first we generate the set of *relevant jobs* Δ that would be changed if the new value of d_e were to be adopted. Then we incrementally update the factors in the product (10) only for the relevant jobs.

Essentially, computing the unnormalized density requires that we compute the list of jobs whose service time would be affected if a single departure time changed. This amounts to setting d_e to the new value, propagating these two changes through the departure time equations, and obtaining a new service time $s_{e'}$ for all other jobs in the two queues q_e and $q_{\pi^{-1}(e)}$.

So for each type of queue, we require two algorithms: (a) a *propagation algorithm* that computes the modified set of service times that results from a new value of d_e , and (b) a *relevant job set* algorithm that computes the set of jobs Δ for which the associated factor in (10) needs to be updated. It is not the case in general that Δ is just the set of jobs whose service times are changed by the propagation algorithm; this is because of the factor $h(q_e, s_e, d_e)$ in (10). The next three sections describe the propagation and relevant job set algorithms for FCFS queues (Section 4.2), RSS queues (Section 4.3), and PS queues (Section 4.4).

Algorithm 1 Update the service times for a departure change in a K -processor FCFS queue

```

1: function UPDATEFORDEPARTURE( $e_0$ )
2: // Input:  $e_0$ , job with changed departure
3:  $stabilized \leftarrow 0$ 
4:  $e \leftarrow \rho^{-1}(e_0)$ 
5: while  $e \neq \text{NULL}$  and not stabilized do
6:    $b_{ek} \leftarrow b_{\rho(e),k} \quad \forall k \in [0, K)$ 
7:    $b_{e,k(\rho(e))} \leftarrow d_{\rho(e)}$ 
8:    $stabilized \leftarrow 1$  if  $b_e = \text{old value of } b_e$  else 0
9:    $c_e \leftarrow \min_{k \in [0, K]} b_{ek}$ 
10:   $p_e \leftarrow \arg \min_{k \in [0, K]} b_{ek}$ 
11:   $s_e \leftarrow d_e - \max[a_e, c_e]$ 
12:   $e \leftarrow \rho^{-1}(e)$ 

```

Algorithm 2 Update the service times for an arrival change in a K -processor FCFS queue

```

1: function UPDATEFORARRIVAL( $e_0, aOld$ )
2: // Input:  $e_0$ , job with changed arrival
3: // Input:  $aOld$ , old arrival of job  $e_0$ 
4: // Update arrival order  $\rho$  due to  $e_0$ 
5:  $aMin \leftarrow \min[a_{e_0}, aOld]$ 
6:  $aMax \leftarrow \max[a_{e_0}, aOld]$ 
7:  $E \leftarrow$  all jobs arriving within  $aMin \dots aMax$ 
8: // First change jobs that arrive near  $e_0$ 
9: for all  $e \in E$  do
10:   $b_{ek} \leftarrow b_{\rho(e),k} \quad \forall k \in [0, K)$ 
11:   $b_{e,k(\rho(e))} \leftarrow d_{\rho(e)}$ 
12:   $c_e \leftarrow \min_{k \in [0, K]} b_{ek}$ 
13:   $p_e \leftarrow \arg \min_{k \in [0, K]} b_{ek}$ 
14:   $s_e \leftarrow d_e - \max[a_e, c_e]$ 
15: // Second, propagate changes to later jobs
16:  $e \leftarrow \rho^{-1}(\text{LASTELEMENT}(E))$ 
17:  $stabilized \leftarrow 1$  if  $b_e = \text{old value of } b_e$  else 0
18: if not stabilized then
19:   UPDATEFORDEPARTURE( $e$ )

```

4.2. *FCFS queues.* The propagation algorithms for the FCFS queue are given in Algorithm 1 (for the departure times) and Algorithm 2 (for the arrival times). These algorithms compute new values of $b_{e'k}$, $u_{e'}$, $c_{e'}$, $p_{e'}$, and $s_{e'}$ for all other jobs e' and processors k for all other jobs in the queue. The main idea is that any service

Algorithm 3 Update the service times for a departure change in an RSS queue.

- 1: Update departure order γ for changed departure d_e
 - 2: $newPrev, newNext \leftarrow$ Jobs departing immediately before and after the time d_e^{old}
 - 3: $oldPrev, oldNext \leftarrow$ Jobs departing immediately before and after the time d_e
 - 4: $dMin \leftarrow \min[d_{newPrev}, d_{oldPrev}]$
 - 5: $dMax \leftarrow \max[d_{newNext}, d_{oldNext}]$
 - 6: $L \leftarrow$ all jobs with departures in $dMin \dots dMax$
 - 7: **for all** $e \in L$ **do**
 - 8: $u_e \leftarrow \max[a_e, d_{\gamma(e)}]$
 - 9: $s_e \leftarrow d_e - u_e$
-

time $s_{e'}$ depends on its previous jobs only through the processor-clear times $b_{\rho(e')k}$ of the immediately previous job $\rho(e')$. Furthermore, each b_{ek} can be computed recursively as $b_{ek} = d_{\rho(e)}$ if $k = p_{\rho(e)}$ and $b_{ek} = b_{\rho(e),k}$ otherwise.

A separate relevant job set algorithm is unnecessary for the FCFS queue. Because for this queue $h(q_e, s_e, d_e) = 1$, the relevant job set is simply the set of jobs whose service times are updated by Algorithms 1 and 2.

4.3. *RSS queues.* The propagation algorithm for an RSS queue is given in Algorithm 3. This algorithm is used for departure changes. For an arrival change, on the other hand, none of the service times for other jobs in q_e need to be updated.

Two algorithmic issues are specific to RSS queues. First, the new value $a_e = d_{\pi(e)}$ must still be feasible with respect to the constraints (4). This can be ensured by computing the new departure order γ for $q_{\pi(e)}$, and then verifying for all jobs in q_e and $q_{\pi(e)}$ that $\gamma^{-1}(e) \in Q_e$. If this is not the case, then the potential new value $a_e = d_{\pi(e)}$ is rejected.

Second, observe from (11) that $h(q_e, s_e, d_e) = N(u_e)^{-1}$. (Recall that the commencement time $u_e = d_e - s_e$ is the time that e enters service.) These factors arise from the random selection of job e to enter service, out of the $N(u_e)$ jobs that were in queue. Intuitively, these factors are the only penalty on a job waiting in queue for a long time; without them, the sampled waiting times would become arbitrarily large. To compute these, we need an efficient data structure for computing $N(u_e)$, the number of jobs in queue when the job e entered service. This is implemented by two sorted lists for each queue: one that contains all of the queue's arrival times, and one that contains all of the departure times. Then we use a binary search to compute the total number of jobs that have arrived before u_e (denoted as $\#A_e$) and the total number of jobs that have departed before u_e (denoted as $\#D_e$). Then we can compute $N(u_e) = \#A_e - \#D_e$.

Finally, the set of relevant jobs Δ must include all jobs e' whose commencement time falls in (a_e^{old}, a_e^{new}) , because those jobs will have a new value of $N(u_{e'})$. This set can be computed efficiently using a data structure that indexes jobs by their commencement time.

Algorithm 4 Update dependent service times for an arrival or a departure change in a PS queue.

```

1: function UPDATEJOBS( $e, aOld, dOld$ )
2: // Update dependent jobs for an arrival or a departure change to the job  $e$ 
3: // Input:  $e$ , job with changed arrival or departure
4: // Input:  $aOld, dOld$ , old arrival and departure times of  $e$ 
5: Recompute  $N(t)$  for new arrival and departure times of  $e$ 
6:  $\Delta \leftarrow$  RELEVANTJOBS( $e, aOld, dOld$ )
7: for all  $e' \in \Delta$  do
8:    $s_{e'} \leftarrow \int_{a_{e'}}^{d_{e'}} \frac{1}{N(t)} dt$ 
9: function RELEVANTJOBS( $e, aOld, dOld$ )
10: // Compute set of jobs that are affected by change to the job  $e$ 
11: // Input:  $e$ , job with changed arrival or departure
12: // Input:  $aOld, dOld$ , old arrival and departure times of  $e$ 
13:  $a \leftarrow \min[a_e, aOld]$ 
14:  $d \leftarrow \max[d_e, dOld]$ 
15: return  $\{e' \mid (a_{e'}, d_{e'}) \text{ intersects } (a, d)\}$ 

```

4.4. *PS queues.* The propagation algorithm for the PS queue is given by the function UPDATEJOBS in Algorithm 4. The same algorithm is used for arrival and departure changes. This algorithm computes new service times directly by solving the relevant departure time equations (7) for the service times, with the new departure times fixed. For the PS queue, $h(q_e, s_e, d_e) = N(d_{e-})$, so again an efficient data structure is required to compute the step function $N(t)$, the number of jobs in the queue at time t . The same data structure is used as in the RSS queue.

The relevant job set algorithm for PS queues is given by the function RELEVANTJOBS in Algorithm 4. The idea here is that when a departure time changes from d_e to d'_e , all jobs that are in the system during any portion of that interval will have their service times affected, because of the change to $N(t)$. So computing the set of relevant jobs amounts to searching through a set of intervals to find all those that intersect (d_e, d'_e) . Efficient data structures are required here as well; in our implementation, we use a variation of a treap [Cormen et al. (2001)] designed to store intervals.

4.5. *Initialization.* A final issue is how the sampler is initialized. This is challenging because not all sets of arrivals and departures are feasible: the departure time equations define a set of nonconvex constraints. In addition, the initial configuration should also be suitable for mixing. For example, setting all latent inter-arrival and service times to zero results in a feasible configuration, but one that

makes mixing difficult. Or, if the service distribution belongs to a scale family (such as gamma or lognormal), initializing the service times to nearly identical values causes the initial variance to be sampled to a very small value, which is also bad for mixing.

Initialization proceeds as follows. For each unobserved task, we sample a path of queues from the prior distribution over paths, and service times from an exponential distribution initialized from the mean of the observed response times. Sometimes the sampled service time will conflict with the observed arrivals and departures. In this case we use rejection, and if no valid service time can be found, we set the service time to zero. Finally, we run a few Gibbs steps with exponential service distributions, before switching to the actual service distributions in the model. This prevents zero service times, which would cause zero-likelihood problems with some service distributions, such as the lognormal.

5. Experimental setup. In this section we describe the Web application whose performance we analyze in the remainder of the paper. Cloudstone [Sobel et al. (2008)] is an application that has been proposed as an experimental setup for academic study of the behavior of Web 2.0 applications such as Facebook and MySpace. The Cloudstone application was developed by a professional Web developer with the intention of reflecting common programming idioms that are used in actual applications. For example, the version of Cloudstone that we use is implemented in Ruby on Rails, a popular software library for Web applications that has been used by several high-profile commercial applications, including Basecamp and Twitter.

The architecture of the system follows common practice for medium-scale Web services, and is shown in Figure 3. Incoming requests arrive first at apache,

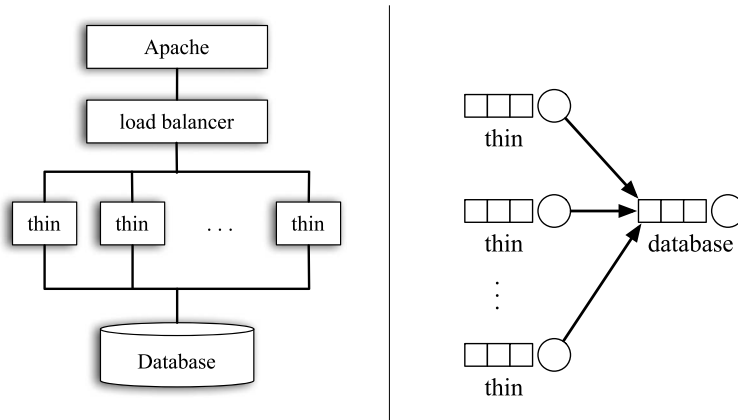


FIG. 3. Architecture of the Cloudstone Web application (left). Figure adapted from Sobel et al. (2008). Queueing model of Cloudstone application (right).

a popular Web server. In this system, `apache` is used to serve “static content,” that is, information that does not need to be recomputed for each user, such as images, the help pages, and so on. If the external request asks only for static content, then `apache` handles the response directly, and no processing is required by the rest of the system. “Dynamic content,” on the other hand, comprises pages that need to be computed separately for each user of the system, such as a user’s email inbox, or a user’s list of contacts on a social networking site. Dynamic content changes over time, so that if the same user makes the same request at different times, the correct response may well be different, so the response needs to be computed afresh.

Requests for dynamic content are handled by a Web server called `thin`, which is specially designed to run the Ruby on Rails library. In order to handle a large volume of requests, multiple copies of `thin` are run on separate machines. The copies of `thin` do not themselves store any information on individual users, so they are equivalent in their ability to handle external requests. Requests are distributed among the `thins` by a piece of software called a *load balancer*, whose sole purpose is to rapidly assign requests at random to one of a set of equivalent copies of a service. Because they do not store user data, the copies of `thin` need some mechanism for obtaining this data from elsewhere. This is handled by having a database running on a separate machine, with which all of the copies of `thin` communicate. In our setup, we run 10 copies of `thin` on 5 machines, two copies per machine. We run the `apache` server, the load balancer, and the database each on their own machine, so that the system involves 8 machines in all.

We run a series of 2663 requests to Cloudstone over 450 s, using the workload generator included with the benchmark. A total of 7989 jobs are caused by the 2663 requests. The workload is increased steadily over the period, ranging from 1.6 requests/second at the beginning to 11.2 requests/second at the end. The application is run on Amazon’s EC2 utility computing service. For each request, we record which of the `thins` handled the request, the amount of time spent by the Rails library, and the amount of time spent in the database. Each Cloudstone request causes many database queries; the time we record is the sum of the time for those queries.

6. Prediction. In this section we demonstrate that networks of queues can effectively extrapolate from the performance of the system at low workload to the worse performance that occurs at higher workload. This prediction problem is of practical importance because if the performance degradation can be predicted in advance, then the system’s developers can take corrective action.

We compare the prediction error of a variety of queueing models on the Cloudstone data described in Section 5. To measure the extrapolation error, we estimate model parameters during low workload—the first 100 s of the Cloudstone data—and evaluate the models’ predictions under high workload—the final 100 s of the data. The workload during the training regime is 0.9 requests/second, whereas the

workload in the prediction regime is 9.8 requests/second. During the training period, the average response time is 182 ms, while during the prediction period the average response time is 307 ms. The goal is to predict the mean response time over 5 second intervals during the prediction period, given the number of tasks that arrive in the interval.

We evaluate several queueing models: (a) single-processor RSS, (b) a network of RSS queues, (c) a single 3-processor FCFS queue, and (d) a network of PS queues. The networks of queues use the structure shown in Figure 3. In all cases, the service distributions are exponential. For the single-queue models, the data consists of the arrival and departure of each task from the system as a whole. For the network models, the data consists of all arrivals and departures to the thins and the database servers. As baselines, we consider several regression models: (a) a linear regression of mean response time onto workload, (b) a regression that includes linear and quadratic terms, and (c) a “power law” model, that is, a linear regression of log response time onto log workload. In all cases, the data contains information about all tasks in the training period, that is, there is no missing data, so parameter estimation is done by simple maximum likelihood.

The prediction error for all models is shown in Table 1. The best queueing model extrapolates markedly better than the best regression model, with a 63% reduction in error. Interestingly, different queueing models extrapolate very differently, primarily because they make different assumptions about the system’s capacity. This point is especially important because previous work on statistical inference in queueing models has considered only the simplest types of queueing disciplines, such as 1-processor FCFS. These results show that the more complex models are necessary for real systems.

A second difference between the regression models and the queueing model is in the types of errors they make. When the regression models perform poorly, visual inspection suggests that noise in the data has caused the model to oscillate

TABLE 1
Extrapolation error of performance models of Cloudstone. We report root mean squared error on the prediction of the response time under high workload, when training was performed under low workload

		RMSE (ms)
	Linear regression	258
	Quadratic regression	250
	Power law regression	194
Single queue	1-processor RSS	1340
Network	1-processor RSS	168
Single queue	3-processor FCFS	71.7
Network	PS	234

wildly outside the training data (e.g., to make negative predictions). When the queueing models perform poorly, it is typically because the model underestimates the capacity of the system, so that the predicted response time explodes at a lower workload than the actual response time.

7. Diagnosis. In this section we demonstrate that our sampler can effectively reconstruct the missing arrival and departure data. The task is to determine which component of Cloudstone (`thin` or the database) contributes most to the system’s total response time, and how much of the response time of that component is due to workload. Although we measure directly how much time is spent by Rails and by the database, the measurements do not indicate how much of that time is due to intrinsic processing and how much is due to workload. This distinction is important in practice: If system response time is due to workload, then we expect adding more servers to help, but not if it is due to intrinsic processing. Furthermore, we wish to log departure times from as few tasks as possible, to minimize the logging overhead on the `thins`.

More specifically, our goal will be to estimate s , the service times for all jobs, given an incomplete sample of arrivals and departures. The model parameters are unknown, so those must be estimated as well. The data are collected using the observation scheme described in Section 3.1. We compare the estimates of s when information from 25%, 50% and 100% of the tasks is used in the analysis.

We model Cloudstone by a network of PS queues (Figure 3): one for each `thin` (10 queues in all) and one for the database. The delay caused by `apache`, by the load balancer, and the internal network connection is minimal, so we do not model it. The service distributions are exponential. Parameter estimation is performed in a maximum likelihood framework using stochastic EM, in which the missing data are imputed using the sampler described in Section 4.

Figure 4 displays the proportion of time per-tier spent in processing and in queue, as estimated using the slice sampler from 25%, 50% and 100% of the full

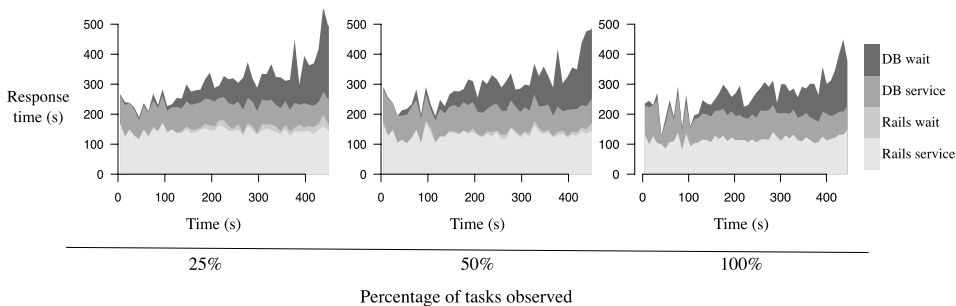


FIG. 4. *Reconstruction of the percentage of request time spent in each tier, from 25% tasks observed (left), 50% tasks observed (center), and all tasks observed (right). The x-axis is the time in seconds that the task entered the system, and the y-axis is the estimated service and waiting time.*

TABLE 2

Error at determining service times. The error measure shown is the root mean squared error on the predicting of service times in the full data. The small numbers indicate the standard deviation over ten repetitions with different observed jobs

	RMSE (ms)	
	25%	50%
Wait = 0	62.3	
Linear regression	80.4 ± 1.0	80.2 ± 0.8
Network of queues (PS)	50.0 ± 3.5	28.5 ± 3.3

data. Visually, the reconstruction from only 25% of the data strongly resembles the full data: it is apparent that as the workload increases from left to right, the thins are only lightly loaded, and the increase in response time is due to workload on the database tier.

To obtain a quantitative measure of error, we partition time into 50 equal-sized bins, and compute the mean service time for each bin and each tier of the system. We report the root mean squared error (RMSE) between the reconstructed service times from the incomplete data and the service times that would have been inferred had the full data been available. We perform reconstruction on ten different random subsets of 25% and 50% of the jobs. We use two baselines: (a) one that always predicts that the response time is composed only of the service time (denoted “Wait = 0”) and (b) a linear regression of the per-job waiting time onto the workload in the last 500 ms. Results are reported in Table 2.

The posterior sampler performs significantly better at reconstruction than the baselines, achieving a 25% reduction in error for 25% data observed, and a 54% reduction in error for 50% data observed. Linear regression performs poorly on this task, performing worse than the trivial “Wait = 0” baseline. Interestingly, the performance of linear regression, unlike the queueing network, does not improve with additional data. This supports the idea that the poor performance of linear regression is due to limitations in the model.

8. Model selection. A final application of our framework is model selection. Although model selection has received relatively little attention in the context of queueing models, it has the potential to be greatly useful, because the performance characteristics of a software system are often not completely understood even to its developers. For example, often systems are built from external components, such as software libraries, whose internal workings are not fully known. Furthermore, even if the source code for every component is available, system performance may differ from expectations because of software bugs, hardware failures, or misconfiguration of the system. In either case, a concise model can serve as a summary of

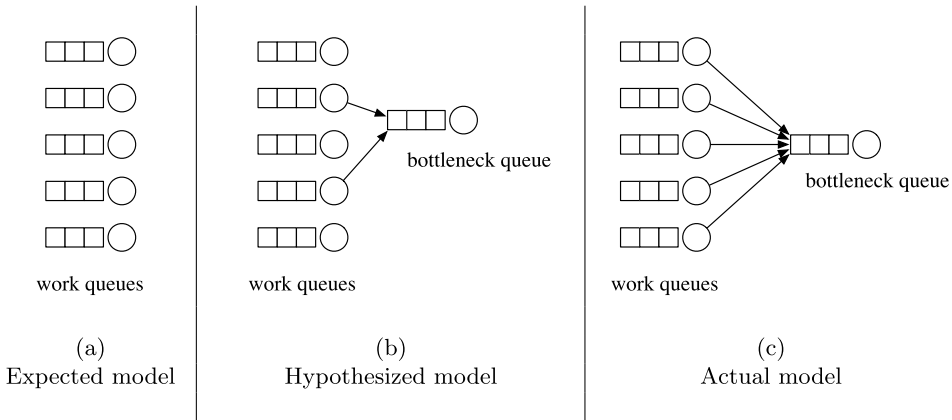


FIG. 5. *Alternative models for missing-queue detection. At left, queueing network representing the null model. Center, network representing a hypothetical alternative model. At right, model used to generate synthetic data for the experiments described in Section 8.*

system performance under different workloads, revealing queueing dynamics that may be unexpected.

We demonstrate this idea on a task that we call *missing queue detection*. Suppose that we are analyzing a system whose expected behavior is described by the queueing network in Figure 5(a), which consists of a pool of independent “work queues.” If there is a bug in the system, however, the actual performance behavior may be different than expected. If there is a bug, we might hypothesize that the actual system behavior is described by Figure 5(b), in which a “bottleneck queue” has been added, which has the effect of coupling the response times of all tasks that are served by different work queues. The data consists of the arrival and departure time of each task from the system as a whole, and the identity of the “work queue” to which the task was assigned. The transition time between the work queues and the bottleneck queue is necessarily unobserved. On the basis of such data, the goal of missing queue detection is to choose between the models in Figure 5(a) and (b), in other words, to determine whether the system exhibits unexpected queueing dynamics.

A natural approach is based on least angle regression (LARS) [Efron et al. (2004)]. In this approach, we perform a regression of the average response time of jobs at each of the work queues, aggregated over 5-second intervals, onto two covariates: the number of jobs at that work queue, and the number of jobs arriving in the entire system. The regression model is chosen based on the C_p -type statistic described in Efron et al. (2004). If there is no bottleneck, then the response times of jobs that are assigned to different queues should be independent, so the coefficient of the second covariate—number of jobs in the entire system—should be zero. So if that coefficient is nonzero, we predict a bottleneck. Despite the natu-

ralness of this approach, it might perform poorly because the relationship between the covariates and the response time is highly nonlinear.

We consider an alternative approach based on a queueing network model. We use a simple procedure for selection among nested families of queueing models. The procedure relies on the fact that commonly used families of service time distributions, such as exponential, gamma, and lognormal, include distributions that come arbitrarily close to putting all their mass at zero. The method is to start with a queueing network that represents the expected performance of the system, based on the developers' prior knowledge. Then add a single hypothesized queue to the network, called the bottleneck queue, that represents a hypothetical bottleneck in the system. The Gibbs sampler now yields a sequence m_1, m_2, \dots, m_N of mean service times for the bottleneck queue. Choosing between the base model and the augmented model can be thought of as testing whether the mean service time of the bottleneck queue is zero. To do this, we use the test statistic $z = N^{-1} \sum_{i=1}^N m_i / \sigma$, where σ is the standard deviation of the m_i . This statistic is asymptotically normal. An alternative approach to model selection might rely on directly computing the likelihood, but computing this quantity is notoriously difficult in the queueing setting, even for models that are much simpler than ours.

For the purposes of demonstrating the technique, we use a simple search through model space, in which we hypothesize a bottleneck involving two of the five queues, as in Figure 5(b). Ten possible alternative models are considered, each corresponding to a different pair of work queues being connected to the bottleneck. For each possible network, we test the hypothesis that the mean of the bottleneck queue is zero, as described above. The result of the test is counted as correct if the null is accepted and the true network is Figure 5(a), or if the null is rejected and the true network is Figure 5(c). The confidence level used is 0.025.

We test both LARS and the queueing model-based technique on synthetic data generated from the models in Figure 5(a) and (b). For both models, the arrival process is a homogeneous Poisson process with parameter $\lambda = 1$. The service-time distribution of the work queues is exponential with mean 2.5, so that each work queue has utilization 0.5. For the model in Figure 5(b), the utilization of the bottleneck queue is varied in $\{0.001, 0.1, 0.25, 0.5, 0.75\}$. Each synthetic data set contains 100 tasks. The mean parameters of the service-time distributions are resampled in a Bayesian fashion, using the prior described in Section 2.4. The sampler is run for 5000 iterations. This experiment is repeated 5 times on independently generated synthetic data sets.

The performance of the two techniques is shown in Table 3. We report the percentage of correct missing queue decisions, as a function of the utilization of the bottleneck queue. When the utilization of the bottleneck queue is high, the missing queue should be easy to detect. The LARS-based method performs very poorly, performing only slightly better than chance (chance is 50%) even on the easy cases. The queueing model technique, on the other hand, performs perfectly on the easy

TABLE 3

Error on missing-queue selection problem, as a function of the utilization of the bottleneck queue. Lower utilization makes the model selection problem harder. Chance performance is 0.5

Utilization	Error (queueing model)	Error (linear model)
0.001	0.50	0.55
0.100	0.43	0.54
0.250	0.28	0.49
0.500	0.02	0.49
0.750	0	0.43

cases, and does progressively worse as the problem becomes harder. Figure 6 displays the same data as an ROC curve, generated using the R package of Sing et al. (2005). The model selection method has an area under the ROC curve of 0.92, while that for the LARS-based method is 0.57.

9. Discussion. In this paper we have introduced a novel perspective on queueing networks that allows inference in the presence of missing data. The main idea is that a queueing model defines a deterministic transformation between service times, which are independent, to the measured departure times, which are highly dependent. This perspective allowed us to develop an MCMC sampler for the posterior distribution over the missing departure time data. To our knowledge, this is

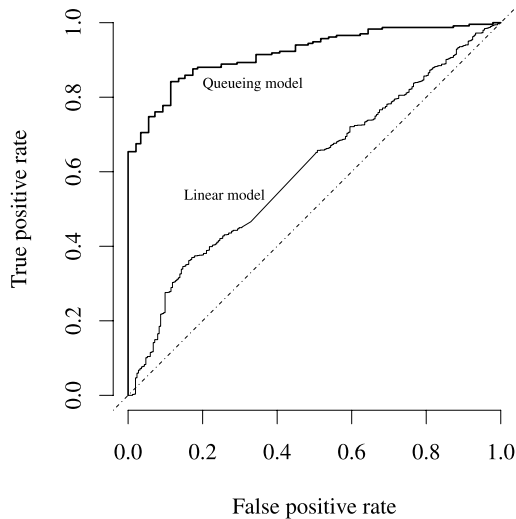


FIG. 6. Performance on missing-queue detection (ROC curve).

the first example of inference in networks of queues with missing data. We demonstrated the effectiveness of this approach on data from an actual Web application.

The fact that queueing networks are natural models of distributed systems is attested to by a large literature on these models in computer science. For example, previous work has considered queueing network models of single computer systems [Lazowska et al. (1984)], computer networks [Kleinrock (1973)], distributed file systems [Thereska and Ganger (2008)], and Web applications [Urgaonkar et al. (2005); Welsh (2002)]. Our work builds on this literature, providing a statistical perspective on networks of queues.

Within the statistical literature, inference in single-queue models has been considered in both frequentist and Bayesian settings [Armero and Bayarri (1994a); Bhat, Miller and Rao (1997); Insua, Wiper and Ruggeri (1998)]. Previous work has focused on single queues rather than networks, however [for exceptions, see Armero and Bayarri (1999), and Thiruvaiyaru and Basawa (1992)]. In addition, previous work has typically focused on a restricted class of queueing disciplines and restricted patterns of missing data. For example, one special case that has been considered is a single-queue model in which all of the departure times are observed, but none of the arrival times. Heggland and Frigessi (2004) present an estimator for this problem based on indirect inference. Fearnhead (2004) presents a potentially more efficient algorithm based on ideas similar to the embedded Markov chain from queueing theory, while earlier Jones (1999) presents a similar algorithm that takes balking into account. The indirect inference approach could possibly be extended to more general situations, but it is difficult to see how to do so with the dynamic programming approaches of Jones and Fearnhead. Another special setup that has been considered, again in single queues, is the multi-step interdeparture distribution [Luh (1999)].

One issue that has been raised in the literature on Bayesian statistics in queueing models is the effect of the prior. For example, as Armero and Bayarri (1994b) point out, in an exponential single-processor queue, if gamma priors are placed on the service and arrival rates, then the posterior moments of certain performance metrics, such as the steady-state number of customers in a system, do not exist. This is a disturbing issue if the goal of the analysis is to predict the long-term behavior of the system. In diagnostic settings, however, such as those in Section 7, this is a less serious issue, because our interest lies in estimating the service times s of individual jobs. The moments of the distribution $p(s|O, \theta)$ do exist, even if the system is asymptotically unstable. That having been said, it would not be difficult to modify our sampler to incorporate more sophisticated priors on θ that address this issue, such as those of Armero and Bayarri (1994b).

Another research area that is related to the current work is network tomography [Castro et al. (2004); Coates et al. (2002)], which focuses on problems such as estimating the delays on each link of a network solely from measurements of the end-to-end delay. This is a markedly different inferential problem from ours, in that the network tomography literature does not focus on how much of the link

delay is caused by the load on that link. For this reason, in our setting the observed data always includes the number of requests in the system, a measurement that is usually assumed to be unavailable in the network tomography setup.

Finally, the current work suggests several largely unexplored directions for future research. One direction concerns extensions to the queueing models themselves, such as using a generalized linear model in the service distribution. Another direction involves a hierarchical prior on θ , for example, to model the fact that some queues may be known to run similar software and hardware, and therefore should have similar performance characteristics. It would also be interesting to examine the effects of the prior and of the choice of service distribution on data imputation. Finally, at a higher level, this work can be viewed as a coarse-grained generative model of computer performance, and more detailed models could be of significant interest. More information about the current state of the art in large-scale Web applications can be found in a recent book by two leading engineers at Google [Barroso and Hölzle (2009)].

REFERENCES

- ARMERO, C. and BAYARRI, M. J. (1994a). Bayesian prediction in M/M/1 queues. *Queueing Systems* **15** 401–418. [MR1266803](#)
- ARMERO, C. and BAYARRI, M. J. (1994b). Prior assessments for prediction in queues. *J. Roy. Statist. Soc. Ser. D* **43** 139–153.
- ARMERO, C. and BAYARRI, M. J. (1999). Dealing with uncertainties in queues and networks of queues: A Bayesian approach. In *Multivariate Analysis, Design of Experiments and Survey Sampling* (S. Ghosh, ed.) 579–608. Dekker, New York. [MR1722512](#)
- BARROSO, L. A. and HÖLZLE, U. (2009). *The Datacenter as a Computer: An Introduction to the Design of Warehouse-Scale Machines. Synthesis Lectures on Computer Architecture*. Morgan and Claypool, San Rafael, CA.
- BHAT, U. N., MILLER, G. K. and RAO, S. S. (1997). Statistical analysis of queueing systems. In *Frontiers in Queueing: Models and Applications in Science and Engineering* 351–394. CRC Press, Boca Raton, FL. [MR1440196](#)
- CASTRO, R., COATES, M., LIANG, G., NOWAK, R. and YU, B. (2004). Network tomography: Recent developments. *Statist. Sci.* **19** 499–517. [MR2185628](#)
- CELEUX, G. and DIEBOLT, J. (1985). The SEM algorithm: A probabilistic teacher algorithm derived from the EM algorithm for the mixture problem. *Comput. Statist. Quart.* **2** 73–82.
- COATES, M., HERO, A., NOWAK, R. and YU, B. (2002). Internet tomography. *IEEE Signal Processing Magazine* **19** 47–65.
- CORMEN, T. H., LEISERSON, C. E., RIVEST, R. L. and STEIN, C. (2001). *Introduction to Algorithms*. MIT Press, Cambridge, MA. [MR1848805](#)
- DAMIEN, P., WAKEFIELD, J. C. and WALKER, S. G. (1999). Gibbs sampling for Bayesian nonconjugate and hierarchical models by using auxiliary variables. *J. R. Stat. Soc. Ser. B Stat. Methodol.* **61** 331–344. [MR1680334](#)
- EFRON, B., HASTIE, T., JOHNSTONE, I. and TIBSHIRANI, R. (2004). Least angle regression. *Ann. Statist.* **32** 407–499. [MR2060166](#)
- FEARNHEAD, P. (2004). Filtering recursions for calculating likelihoods for queues based on inter-departure time data. *Statist. Comput.* **14** 261–266. [MR2086402](#)
- HEGGLAND, K. and FRIGESSI, A. (2004). Estimating functions in indirect inference. *J. R. Stat. Soc. Ser. B Stat. Methodol.* **66** 447–462. [MR2062387](#)

- INSUA, D. R., WIPER, M. and RUGGERI, F. (1998). Bayesian analysis of M/Er/1 and M/H_k/1 queues. *Queueing Syst. Theory Appl.* **30** 289–308. [MR1672243](#)
- JONES, L. K. (1999). Inferring balking behavior from transactional data. *Oper. Res.* **47** 778–784.
- KLEINROCK, L. (1973). *Queueing Systems: Theory and Applications*. Wiley Interscience, New York.
- LAURITZEN, S. L. (1996). *Graphical Models*. Oxford Univ. Press. [MR1419991](#)
- LAZOWSKA, E. D., ZAHORJAN, J., GRAHAM, G. S. and SEVCIK, K. C. (1984). *Quantitative System Performance: Computer System Analysis Using Queueing Network Models*. Prentice Hall, Englewood Cliffs, NJ.
- LUH, H. (1999). Derivation of the N -step interdeparture time distribution in GI/G/1 queueing systems. *Eur. J. Oper. Res.* **118** 194–212.
- NEAL, R. M. (2003). Slice sampling. *Ann. Statist.* **31** 705–741. [MR1994729](#)
- SING, T., SANDER, O., BEERENWINKEL, N. and LENGAUER, T. (2005). ROCR: Visualizing classifier performance in R. *Bioinformatics* **21** 3940–3941.
- SOBEL, W., SUBRAMANYAM, S., SUCHARITAKUL, A., NGUYEN, J., WONG, H., PATIL, S., FOX, A. and PATTERSON, D. (2008). Cloudstone: Multi-platform, multi-language benchmark and measurement tools for Web 2.0. In *First Workshop on Cloud Computing and its Applications (CCA)*, Chicago, IL.
- THERESKA, E. and GANGER, G. R. (2008). IRONModel: Robust performance models in the wild. In *SIGMETRICS* **36** 253–264. ACM, New York.
- THIRUVAIYARU, D. and BASAWA, I. V. (1992). Empirical Bayes estimation for queueing systems and networks. *Queueing Systems* **11** 179–202. [MR1184091](#)
- URGAONKAR, B., PACIFICI, G., SHENOY, P., SPREITZER, M. and TANTAWI, A. (2005). An analytical model for multi-tier Internet services and its applications. In *SIGMETRICS* **33** 291–302. ACM, New York.
- WELSH, M. (2002). An Architecture for Highly Concurrent, Well-Conditioned Internet Services Ph.D. thesis, Univ. California, Berkeley.

SCHOOL OF INFORMATICS
UNIVERSITY OF EDINBURGH
EDINBURGH
EH8 9AB
UK
E-MAIL: csutton@inf.ed.ac.uk

DEPARTMENT OF STATISTICS
AND DEPARTMENT OF EECS
UNIVERSITY OF CALIFORNIA
BERKELEY, CALIFORNIA 94720
USA
E-MAIL: jordan@stat.berkeley.edu