

A Sliding Mode-Multimodel Control with Sliding Mode Observer for a Sensorless Pumping System

Ahmed RHIF, Zohra KARDOUS, Naceur BEN HADJ BRAIEK
L.S.A

Laboratoire des Systèmes Avancés
Ecole Polytechnique de Tunisie
BP 743, 2078 La Marsa, Tunisia Email: ahmed.rhif@issatso.rnu.tn,
zohra.kardous@enit.rnu.tn, naceur.benhadj@ept.rnu.tn

Abstract. This work deals with the design of a sliding mode observer with a multi-surfaces sliding mode multimodel control (SM-MMC) for a mechanical sensorless pumping system. The observer is designed to estimate the speed and the mechanical position of the DC motor operating in the process. Robustness tests validated by simulation show the effectiveness of the sliding mode observer associated with this control approach (SM-MMC).

Keywords. Sliding mode-multimodel control, sliding mode observer, sensorless control, and nonlinear system.

1. Introduction

The lack of a sensor in control systems represents a major problem in the industry affecting the process automation (control, supervision, diagnosis etc ...). In fact, the measurement of certain variables needed for control could be technically difficult. Even when it is possible, the constraints of cost and maintenance could be significant. In this case, it becomes necessary to use techniques for monitoring and observation "sensorless" based on the exploitation of the properties of the systems observability. For a nonlinear system, the problem of observation cannot be dissociated from the control problem. In this way, the state reconstruction depends on the system places initially concerned, which is not the case for linear systems [1]. For that, different kinds of observer are present. The Luenberger observer can reconstruct the state of an observable system from the measurement of inputs and outputs. It is used when all or part of the state vector cannot be measured. It allows the estimation of unknown parameters or variables of a system. This observer can be used to reconstruct the speed of an electric motor, for example, from the electromagnetic torque. It also allows the reconstruction of the machine flow, knowing that these quantities are not

easily measured. Observers optimizing a statistical criterion, give the best estimation of the system state disturbed by noise, which stochastic properties are known. The Kalman filter belongs also to the family of reconstructive state. It is generally used as an estimator of flow, speed or rotor parameters used for the synthesis of vector control. For sliding mode observers, which are robust to parameter uncertainties, we see the emergence of a new term which represents the observation error of the system multiplied by a gain K to influence the states estimated by a state feedback control.

In this sense, we will try to combine the sliding mode approach and multi-model approach to solve the problem of chattering phenomenon which appears when we apply the sliding mode control. For this, our idea is to exploit the multi-model fusion to minimize the effect of the discontinuous part of the sliding mode control. In another hand, this combination has been used in some previous work for other purposes [21-24].

This paper is organized in four parts: first we begin by modelling the pumping process. Second, we present the sliding mode observer. After that, we introduce the SM-MMC control which combines the tow approaches: sliding mode and multimodel. Finally, we expose the simulation results.

2. System description

The pumping system (Figure 1), subject of this application, consists on a buck converter, a DC motor and a centrifugal pump where the system input and output are respectively: the control voltage and the angular velocity.

The buck converter is used for applications which can be classified into two applications categories:

- Applications to obtain a fixed voltage from a higher DC voltage generator, for example: conversion of 12-24V provided by a laptop battery to a few volts needed for the processor and conversion of the rectified mains voltage in continuous field.
- Applications to obtain an adjustable voltage lower than this at the input: Variable voltage.

For both categories of applications, we need that the internal impedance of the system created were small and to provide the same magnitude order as that of the generator which powers the device and prohibits the use of a voltage divider dissipating such as heat excess voltage. A well designed buck converter has high efficiency (up to 95%) and offers the possibility to regulate the voltage output.

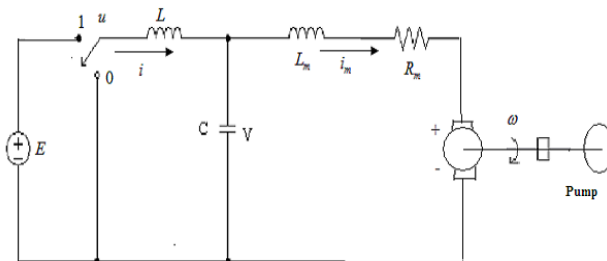


Figure 1 The pumping system

The systems' mathematical model is given by (1).

$$V = R_m i_m + L_m \frac{di_m}{dt} - K_e \omega \quad (1)$$

The dynamic function of the mechanical system is represented in (2).

$$J \frac{d\omega}{dt} = -B_m \omega + K_m i_m - K_r \omega^2 \quad (2)$$

The mathematical model description is given by the system below (3).

$$\begin{cases} L \frac{di}{dt} = V - uE \\ C \frac{dV}{dt} = i - i_m \\ L_m \frac{di_m}{dt} = V - R_m i_m - K_e \omega \\ J \frac{d\omega}{dt} = -B_m \omega + K_m i_m - K_r \omega^2 \end{cases} \quad (3)$$

Consider that $x_1 = \omega$ is the system output, we get (4).

$$\begin{cases} \dot{x}_1 = x_2 \\ \dot{x}_2 = x_3 \\ \dot{x}_3 = x_4 \\ \dot{x}_4 = f(x_1, x_2, x_3, x_4) + gu \end{cases} \quad (4)$$

Noted that the desired output is $y_d(t) = \omega_d$, the tracking error is $e(t) = y(t) - y_d(t) = \omega - \omega_d$, $g = bE$ and

$$f(x_1, x_2, x_3, x_4) = a_4 x_4 + a_3 x_3 + a_2 x_2 + a_1 x_1 + a_{14} x_1 x_4 + a_{23} x_2 x_3 + a_{12} x_1 x_2 + a_{13} x_1 x_3 + a_{22} x_2^2 + a_{11} x_1^2$$

With :

$$\begin{aligned} b &= \frac{K_m}{LL_m CJ}, \quad a_4 = \left(\frac{B_m}{J} + \frac{R_m}{L_m} \right), \quad a_3 = \frac{1}{JL_m} (K_e K_m + R_m B_m) + \frac{1}{C} \left(\frac{1}{L_m} + \frac{1}{L} \right) \\ a_2 &= \frac{B_m}{CJ} \left(\frac{1}{L_m} + \frac{1}{L} \right) + \frac{R_m}{CLL_m}, \quad a_1 = \frac{1}{JCLL_m} (K_e K_m + R_m B_m), \quad a_{23} = \frac{6K_r}{J} \\ a_{14} &= \frac{2K_r}{J}, \quad a_{13} = \frac{2K_r R_m}{L_m J}, \quad a_{12} = \frac{2K_r}{L_m J C}, \quad a_{11} = \frac{R_m K_r}{JCLL_m} \end{aligned}$$

After linearization around an operating point, we get the following state function:

$$\dot{x} = Ax + Bu \quad (5)$$

where

$$A = \begin{bmatrix} 0 & -\frac{1}{C} & 0 & 0 \\ \frac{1}{C} & 0 & -\frac{1}{C} & 0 \\ 0 & \frac{1}{L_m} & -\frac{R_m}{L_m} & -\frac{K_e}{L_m} \\ 0 & 0 & \frac{k_m}{J} & -\frac{(B_m + 2K_r \omega_d)}{J} \end{bmatrix}, B = \begin{bmatrix} \frac{E}{L} & 0 & 0 & 0 \end{bmatrix}^T$$

The numerical parameters of the process are shown in the table 1.

Power	P	42W
Nominal voltage	V_n	12V
Nominal current	i_n	4.25A
Angular velocity	ω_n	324.47rad/s
Resistance	R_m	0.841 Ω
Electromotrice force	E	24V
Inertia force	J	0.14.10 ⁻⁴ (kgm ²)
Electromotrice force gain	K_e	0.0275(V/rad/s)
Electric torque gain	K_m	2.541(N.m/A)
Friction coefficient	B_m	4.499.10 ⁻³ (N.m/rad)
Inductance	L	75mH
Static convertissor	C	70mF
Switching frequency	f	50Khz
Pump	P_u	3.2KW
Proportional coefficient	K_r	9.5113.10 ⁻⁷ N.m/(rad/s) ²

Tab 1 Experimental parameter of the pumping system

3. The sliding mode multimodel control synthesis

The sliding mode control which had proved its effectiveness through the reported studies has many scopes of application such as robotics and electrical engines [10, 11, 12]. This control advantage is its robustness and its effectiveness through the disturbances and the model uncertainties. Indeed, to make certain the system convergence to the wished state, a high level control is often requested. In addition, the discontinuous part of the control generates the chattering phenomenon which makes harmful effects on the actuators. In fact, in the literatures, there are many solutions suggested to this problem. First, sliding mode control with limiting band has been considered. This solution consists in replacing the discontinuous part of the control by a saturation function which limits the discontinuous control level. Second, Takagi Segueno was also proposed as a solution thanks to its robustness. In this hand, the multimodel approach represents an interesting alternative and a powerful tool for the identification, the control and the analysis of the complex systems. The multimodel principle makes possible to design of a non linear control composed by the linear sub controls relative to each sub model. The process control could be then deduced from a fusion or a commutation between the different partial controls

weighted by the equivalent validities. In this sense, several methods of validities estimation (5 and 6) were already presented in the literature [13, 14]. These methods are classified according to the models acquisition ways which are related to the process knowledge. In this paper we will choose the residue approach (7 and 8) for validities computing.

$$v_{in}(t) = \frac{v_i(t)}{\sum_{i=1}^N v_i(t)} \quad (5)$$

With
$$v_i(t) = 1 - r_{in}(t) \quad (6)$$

where
$$r_{in}(t) = \frac{r_i(t)}{\sum_{i=1}^N r_i(t)} \quad (7)$$

and
$$r_i(t) = |y(t) - y_i(t)|; i=1, \dots, N \quad (8)$$

v_i is the validity, r_i the residue, $y(t)$ is the system's output, $y_i(t)$ is the output of the i^{th} model.

In order to reduce the disturbances due to the inadequate models, we reinforce the validities as follows (9):

$$v_i^{renf}(t) = v_i(t) \prod_{\substack{j=1 \\ i \neq j}}^N (1 - v_j(t)) \quad (9)$$

The normalized reinforced validities are given by (10).

$$v_{in}^{renf}(t) = \frac{v_i^{renf}(t)}{\sum_{i=1}^N v_i^{renf}(t)} \quad (10)$$

In this section, we will formulate the SM-MMC which uses the multimodel fusion approach to reduce the switching control effect which induces the chattering phenomenon. Before exposing the mathematical formulation, some literature researches are exposed. In this way, to improve the control performances [15], the author used to apply a discrete sliding mode. For that he consider several high order sliding surfaces and an on line algorithm which is used to compute the system error and reduce it during the phase of the convergence to zeros. Then the multimodel fusion is used to calculate the global process control.

In addition in [16], the author considers the design of a non linear control for a combat air vehicle to execute agile manoeuvres. The smooth aerobatic and complex manoeuvres are decomposed into different sub manoeuvres to cover any arbitrary flight movements. To control each sub mode, an inner/outer control loop approach with higher order sliding mode controller was developed. To reduce the chattering phenomenon, fuzzy mode was applied [17] to a high fidelity six degrees of freedom F-16 fighter aircraft model.

In fact, the control approach in which we interest to expose in this paper consists in carrying out a fusion on the sliding mode discontinuous control instead of commutations, as shown in Figure 2, in order to eliminate or minimize the chattering phenomenon [18].

To adapt the controlling process to each sub model, we think about using several sliding surfaces, each state of a sub model M_i is considered to reach one of these sliding surfaces s_i (Fig.2). To ensure the SMC existence, we use several switching control u_{si} relative to each sliding surface s_i . Then, the partial controls y_i (13) of each sub model will be contribute on the validities calculation. After that the process will converge to the sum of those surfaces weighted by the correspondent validities v_i (12) and the global control will be obtained by adding the partials controls u_i (13) weighted by adapted validities computed on line (14).

$$u_{si} = \begin{cases} u_{si\min} & \text{if } \text{sign}(s_i) < 0 \\ u_{si\max} & \text{if } \text{sign}(s_i) > 0 \end{cases} \quad (11)$$

$$S = \sum_i v_i s_i \quad (12)$$

$$u_i = u_{ei} + u_{si} \quad (13)$$

$$u_g = \sum_{i=1}^N v_i u_i \quad (14)$$

with u_{ei} the equivalent control relative to each sliding surface.

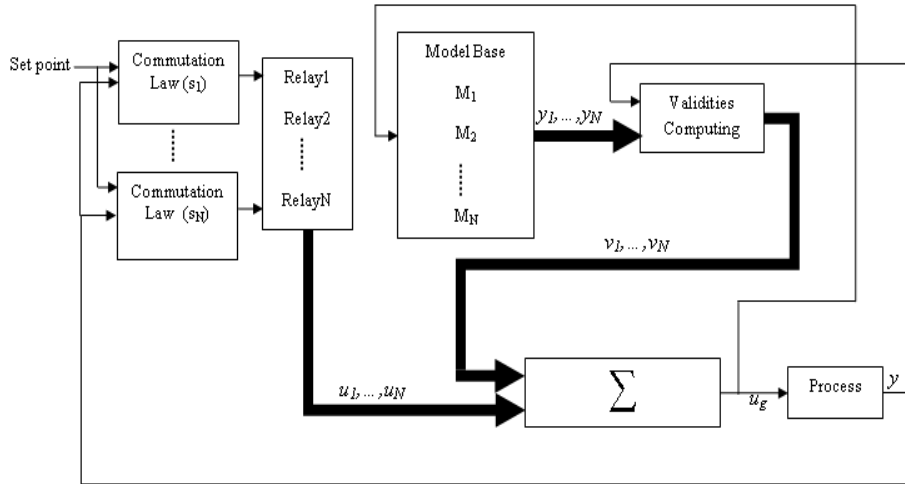


Figure 2 Sliding mode multimodel control structure

For the pumping system (4), the sliding surfaces chosen are given by (15).

$$s_i = c_i (\hat{x} - x) \quad (15)$$

$$\dot{s}_i = f_i + g u_i \quad (16)$$

The control is composed of two parts (10).

$$u_i = u_{ei} + u_{si} \quad (17)$$

with:

$$u_{si} = k \text{sig}(s_i) \quad \text{and} \quad u_{ei} = -\frac{f_i}{g}$$

4. Sliding mode observer

The angular velocities measurements of an electro-technique device represent a hard task and could give unreliable results because of the very high disturbances that influence the tachymetry sensor. In this way, it may be adequate to estimate the angular velocity using an observer instead of the sensor. This operation would give better results and will reduce the number of the sensors which are very costly and may have hard maintenance skills.

The observer can reconstruct the state of a system from the measurement of inputs and outputs. It is used when all or part of the state vector cannot be measured. It allows the estimation of unknown parameters or variables of a system. This observer can be used to reconstruct the speed of an electric motor, for example, from the electromagnetic torque. It also allows reconstructing the flow of the machine etc...

Sliding mode control can be used in the design of state observers. These nonlinear high gain observers have the ability to bring coordinates of the error estimator dynamics to zero in finite time. Additionally, switched mode observers have an attractive measurement noise resilience which is similar to a Kalman filter. In the sliding mode observers, the order of the observer dynamics is reduced by one when the system comes on the sliding surface. In this section we will adopt the sliding mode observer based on systems with variable structure proposed by Emel'yanov which has the distinction of being robust to disturbances and parameter uncertainties. In this way, the dynamics of a system are calculated by the method of resolution proposed by Fillipov or a similar method to the equivalent control or the equivalent vector [19]. The dynamics involved are those of the observation of the error state $e = x - \hat{x}$. This estimation requires the evolution of these dynamics on a variety on which the error output estimation $y - \hat{y}$ converges to zero [20, 21].

In the literature, we note that the observer scope of applications affect often the field of electrical engineering: the synchronous machines, asynchronous machines, the DC motors ... where we try to estimate the speed, position and the torque of the rotor [2, 3, 4, 5, 6, 7, 8]. In [2], the author used the sliding mode observer to estimate the rotor flow. The speed of convergence and the estimation accuracy are adjusted by

the observer gains. In this sense, in [3], author used a sliding mode observer based on the twisting algorithm to control and estimate a system of three containers where it seeks to fill on the containers one by one with the other devices. The objective of the estimation is to detect and isolate faults (FDI). For this, the author had used four different pumps: one pump for each order with a corresponding observer. Since the sliding mode induces the chattering phenomenon, author used the second order sliding mode control.

In [7], author had applied a Low Pass Filter (Batch) to remove high frequencies and to have better estimation of the speed and position of a synchronous machine. This same method was adopted in [9] but with a Kalman filter instead of the Low Pass Filter. In this case, the Kalman filter acts as an optimal state observer in the sense of minimizing the error variance between estimated and real variable. For its various applications, if the execution time is relatively long, the observer could be replaced by a complete reduced-order observer which minimizes the number of state variables. In this study, we will try to estimate the DC motor speed of the pumping system using a sliding mode observer instead of a sensor. This operation will give the system (18)

$$\begin{cases} \dot{\hat{x}}_1 = \hat{x}_2 + \lambda_1 \operatorname{sign} \left(x_1 - \hat{x}_1 \right) \\ \dot{\hat{x}}_2 = \hat{x}_3 + \lambda_2 \operatorname{sign} \left(\bar{x}_2 - \hat{x}_2 \right) \\ \dot{\hat{x}}_3 = \hat{x}_4 + \lambda_3 \operatorname{sign} \left(\bar{x}_3 - \hat{x}_3 \right) \\ \dot{\hat{x}}_4 = f(x_1, \bar{x}_2, \bar{x}_3, \bar{x}_4) + gu + \lambda_4 \operatorname{sign} \left(\bar{x}_4 - \hat{x}_4 \right) \end{cases} \quad (18)$$

where, $\bar{x}_i = \hat{x}_i + \lambda_{i-1} \operatorname{sign} \left(\bar{x}_{i-1} - \hat{x}_{i-1} \right)$ and sign is the continuous approximation of the singe function.

The error observation dynamic is presented in (19).

$$\begin{cases} \dot{e}_1 = e_2 - \lambda_1 \operatorname{sign}(x_1 - \hat{x}_1) \\ \dot{e}_2 = e_3 - \lambda_2 \operatorname{sign}(\bar{x}_2 - \hat{x}_2) \\ \dot{e}_3 = e_4 - \lambda_3 \operatorname{sign}(\bar{x}_3 - \hat{x}_3) \\ \dot{e}_4 = f(x_1, x_2, x_3, x_4) - f(x_1, \bar{x}_2, \bar{x}_3, \bar{x}_4) - \lambda_4 \operatorname{sign}(\bar{x}_4 - \hat{x}_4) \end{cases} \quad (19)$$

Eqs. (18) and (19) gives (20).

$$s = \alpha_3 (\hat{x}_1 - x_1) + \alpha_2 (\hat{x}_2 - x_2) + \alpha_1 (\hat{x}_3 - x_3) \quad (20)$$

$$\dot{s} = \alpha_1 (\hat{x}_4 - x_4) + \alpha_2 (\hat{x}_3 - x_3) + \alpha_3 (\hat{x}_2 - x_2) \quad (21)$$

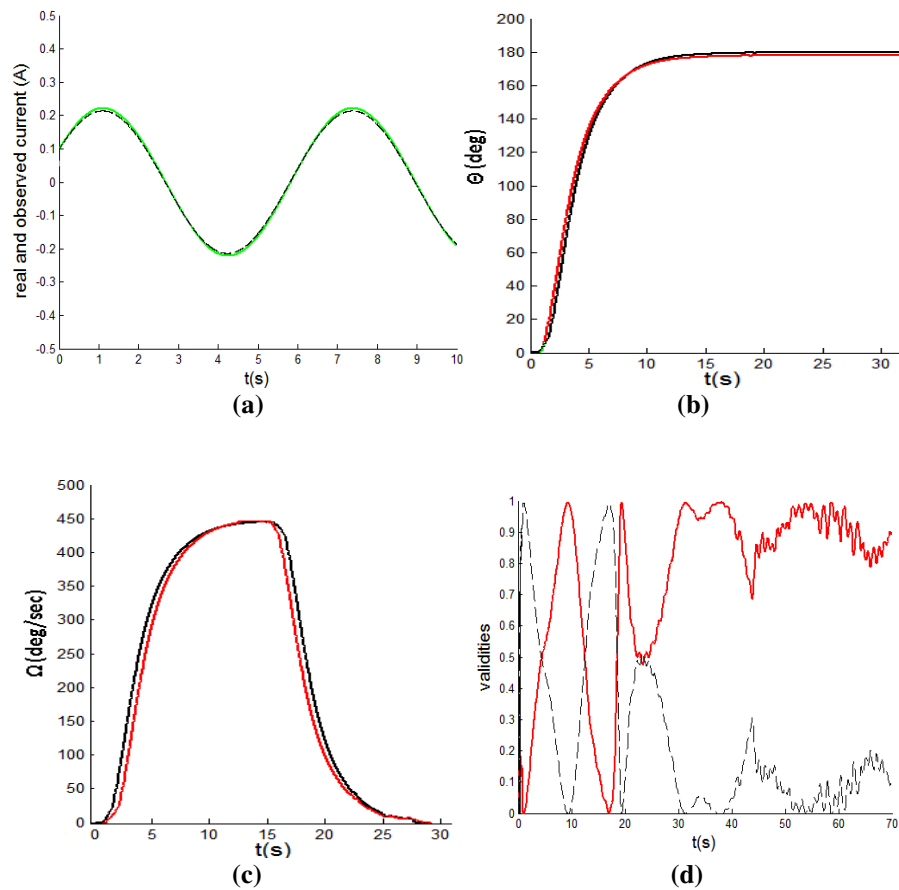
The stability condition is given by Lyaponov candidate function (22).

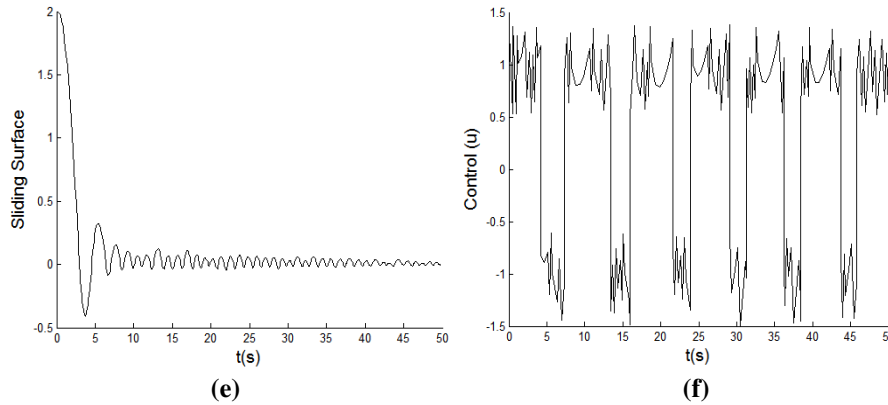
$$V_1 = \frac{1}{2} e_1^2 \quad (22)$$

$$\dot{V}_1 = e_1 \dot{e}_1 = e_1 (e_2 - \lambda_1 \text{sig}(e_1))$$

We got : $e_1 \rightarrow 0$ when $\lambda_1 > |e_2|$

The figure 3 (a-b-c) shows that the control current, the angular position and the angular velocity are very well estimated by the sliding mode observer. In another hand, we conclude that the SM-MMC with multi-surfaces gives good output with no chattering phenomenon (Fig.3-e), the control commutation is no longer sharp and the control level is adequate and reach the steady state in a very short time which preserves the robustness of the system and gives good conditions for the actuators (Fig.3-f).





(e) (f)
Figure.3 simulation result of the sliding mode observer

6. Conclusion

The sliding mode multimodel control with several sliding surfaces exposed in this paper and simulated on the pumping system, represents a powerful tool for the chattering phenomenon rejection with preserving the robustness performances of the sliding mode control. In another hand, the sliding mode observer which has been considerate to evaluate the angular velocities of the DC motors shows high estimation quality and gives good estimation results of the velocity and the rotor position.

7. References

- [1] N. Benhadj Braiek and F. Rotella, "Design of observers for nonlinear time variant systems", IEEE Syst. Man and Cybernetics Conference, vol. 4, pp. 219–225, 1993.
- [2] T. Floquet, J-P. Barbot, W. Perruquetti, "Observation en temps fini du flux de la machine asynchrone : modes glissants d'ordre deux et indices d'observabilité", CIFA, Nantes, 8 juillet 2002.
- [3] M. Rolink, T. Boukhobza and D. Sauter, "High order sliding mode observer for fault actuator estimation and its application to the three tanks benchmark", Author manuscript, vol.1, 2006.
- [4] F. Parasiliti, R. Petrella, and M. Tursini, "Speed Sensorless Control of an interior PM Synchronous Motor", In Proceedings of the 37 th IEEE Industry Application Society, Annual Meeting (IAS'2002), Pittsburg, Pennsylvania, USA, October 2002.
- [5] G. L. Cascella, N. Salvatore, and L. Salvatore, "Adaptive sliding-mode observer for field oriented sensorless control of SPMSM Industrial Electronics", In proceedings of the IEEE International Symposium (ISIE '03), Vol. 2, pp. 1137–1143, June 2003.
- [6] J. I. Ha, K. Ide, T. Sawa, and S. K. Sul, "Sensorless Position Control and Initial Position Estimation of an Interior Permanent Magnet Motor", In Proceedings of the IEEE Industry Applications Conference, 36 th IAS Annual Meeting, Chicago, USA, 2001.
- [7] M. Elbuluk, Changsheng LI, "Sliding Mode Observer for Wide-Speed Sensorless Control of PMSM Drives" Department of Electrical Engineering, University of Akron, Akron, IEEE, 2003.

- [8] T.Floquet, W.Perruquetti, « Compte-rendu d'implantation d'une commande par mode glissant d'ordre supérieur sur la plate-forme de l'IRCCyN », Ecole centrale de Lille, avril 2000.
- [9] M. Fadel, R. Ruelland, G. Gateau, J.C. Hapiot, P. Brodeau et J.P. Carayon « Commande sans capteur mécanique des actionneurs embarqués », J3eA, Journal sur l'enseignement des sciences et technologies de l'information et des systèmes, Volume 4, 2005.
- [10] İ.Eker, "Sliding mode control with PID sliding surface and experimental application to an electromechanical plant", ISA Transaction, vol. 45, n 1, pp. 109-118, Turkey, 2005.
- [11] A.Kechich & B.Mazari, « La commande par mode glissant : Application à la machine synchrone à aimants permanents (approche linéaire) », Afrique Science04, pp. 21-37, 2008.
- [12] M.Mihoub, A.S.Nouri, R.Ben Abdennour, "Real-time application of discrete second order sliding mode control to a chemical reactor", Control Engineering Practice, pp. 1089-1095, vol. 17, 2009.
- [13] Z.Kardous, A.El Kamel et N.Ben Hadj Braiek, "Sur les commandes multimodèles stabilisantes pour des systèmes incertains", CTGE'2004, pp462-467, Tunis, Février 2004.
- [14] Z.Kardous, N.Ben Hadj Braiek, P.Borne, A.El Kamel, "on the multimodel stabilizing control of uncertain systems. Multimodel control and validity analysis." international journal problems of non linear analysis of non linear system, Vol 26 p2, 2006.
- [15] N. Kemal Ure and G.Inalhan "Design of Higher Order Sliding Mode Control Laws for a Multi Modal Agile Maneuvering DCAV", IEEE, Turkey, 2008.
- [16] Z.Li, Q.Shui-sheng, "Analysis and Experimental Study of Proportional-Integral Sliding Mode Control for DC/DC Converter", Journal of Electronic Science and Technology of China, vol. 3, n.2, 2005.
- [17] A.Rhif, Z.Kardous, N.Ben Hadj Braiek, "A high order sliding mode-multimodel control of non linear system simulation on a submarine mobile", Eighth International Multi-Conference on Systems, Signals & Devices, Sousse, Tunisia, March 2011.
- [18] N. Benhadj Braiek and F. Rotella, "Design of observers for nonlinear time variant systems", IEEE Syst. Man and Cybernetics Conference, vol. 4, pp. 219-225, 1993.
- [19] N. Benhadj Braiek and F. Rotella, "State observer design for analytical nonlinear systems", IEEE Syst. Man and Cybernetics Conference, vol. 3, pp. 2045-2050, October 1994.
- [20] L. Changsheng, and M. Elbuluk, "A Robust Sliding Mode Observer for Permanent Magnet Synchronous Motor Drives", In Proceedings of the 28 th Annual IEEE Conference on Industrial Electronics Society, (IECON 02), Vol. 2, pp. 1014-1019, November 2002.
- [21] A.Rhif," Position Control Review for a Photovoltaic System: Dual Axis Sun Tracker", *IETE Technical Review*, Vol. 28, pp. 479-485, 2011.
- [22] A.Rhif," A Review Note for Position Control of an Autonomous Underwater Vehicle", *IETE Technical Review*, Vol. 28, pp. 486-492, 2011.
- [23] A.Rhif, Z.Kardous, N.Ben Hadj Braiek, "A High Order Sliding Mode Observer: Torpedo Guidance Application," *Journal of Engineering & Technology*, vol. 2, pp.13-18, 2012.
- [24] A.Rhif, Z.Kardous, N.Ben Hadj Braiek, "A sliding mode multimodel control for a sensorless photovoltaic system", *Journal of Scientific and Industrial Research*, Vol.71, pp. 418-424, 2012.