

Configuration Discussion Item

Don Fedyk

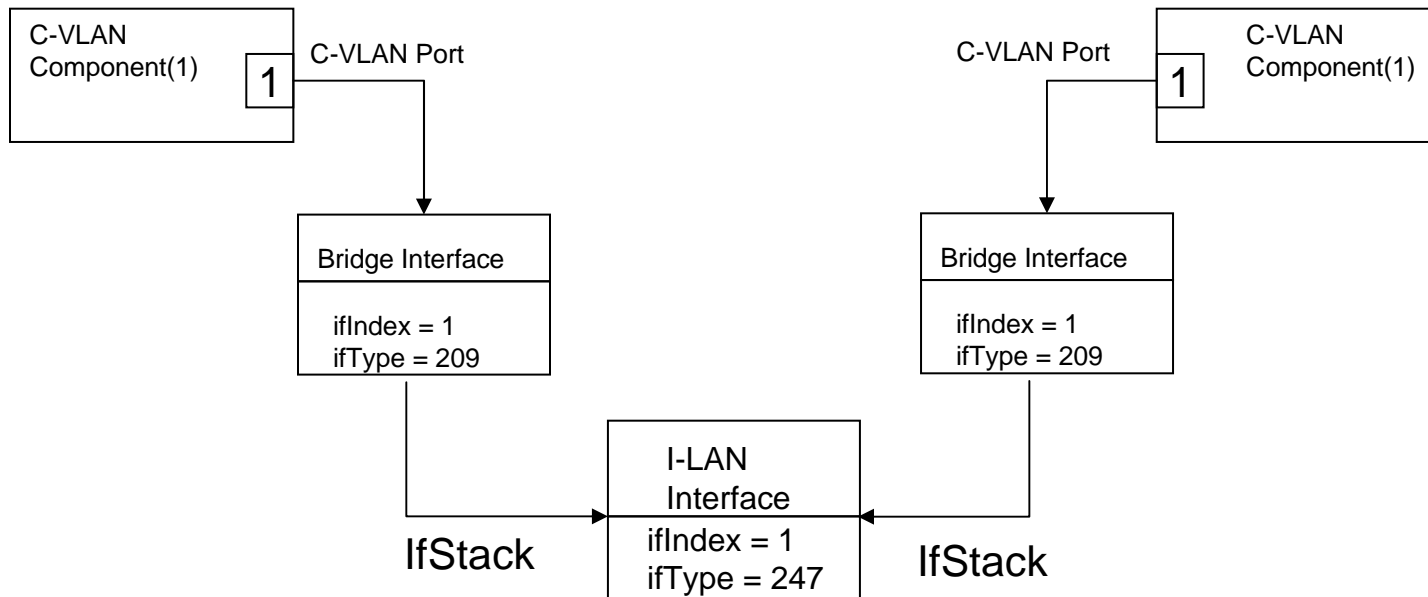
Configuration

- So far we have not added configuration for Clause 12 & 17
- This is a discussion of the high level commands we are looking at

Configuration High level

- Bridge Identifiers, Port Identifiers
- Some specific for ISIS-SPB
- Defining VLANs assigning them to ISIS-SPB topology instances
- Attaching I-SIDs or ports to VLAN

AH Current Port Structure



Need to associate the I-LAN or VLAN with an SPB instance

Bridge Identifiers

- system-id <system id> Bridge Identifier
- sys-name <octet string>

IS-IS

- is-type <l1>
- info (needs also to show manual area id)
- metric <narrow|wide>
- csnp-interval <csnp-interval>
- psnp-interval <psnp-interval>
- spf-delay <spf-delay-time>
- max-lsp-gen-interval <time-interval>
- min-lsp-gen-interval <time-interval>
- retransmit-lsp-interval <time-interval>
- area-auth type <value> [key <key>] [key-id <key-d>]
- domain-auth type <value> [key <key>] [key-id <key-d>]
- overload <true|false>
- overload-on-startup <delay> <time>

Commands

- Isis spb <instance> <enable!disable>
- Isis spbb <instance> <enable!disable>
- isis spbb<instance> nick-name <nickname>

VLAN

- isis spb <instance> base-vid <vlanid> {add | remove }
- isis spb base-vid <vlanid> spvid <vlanid> {add | remove }

- isis spb <instance> base-vid <vlanid> {add | remove }
- isis spbb base-vid <vlanid> b-vlan <vlanid> {add | remove }
- vlan <b-vlan-id> ports add <list> member portmember

NNI Ports

- config ethernet 2/1 isis
- Current Context:
 - hello-auth type <value> [key <value>] [key-id <value>]
 - create
 - delete
 - disable
 - enable
 - info
 - interface-type <if-type>
 - l1-hello-interval <seconds>
 - l1-hello-multiplier <seconds>
 - l1-metric <cost> (metric on link bandwidth)
- config ethernet 2/1 isis <spb, spbb>
- Current Context:
 - info
 - interface-type <if-type>
 - spbb -metric <cost> (use ISIS metric as default metric based on link bandwidth)
 - state <enable|disable>