



# Multiple I-tag Registration Protocol

## **Multiple I-tag Registration Protocol (MIRP) for signaling among I-components**

Version 3

**Norman Finn**

**Cisco Systems**

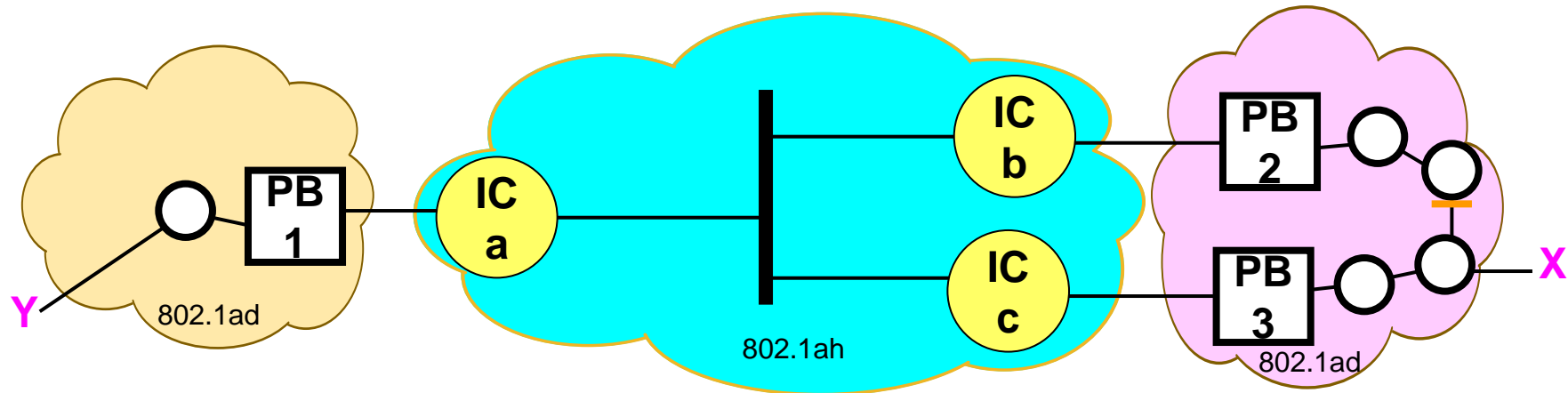
# References

- This presentation is available at:  
<http://www.ieee802.org/1/files/public/docs2009/new-nfinn-mirp-0908-v02.ppt>



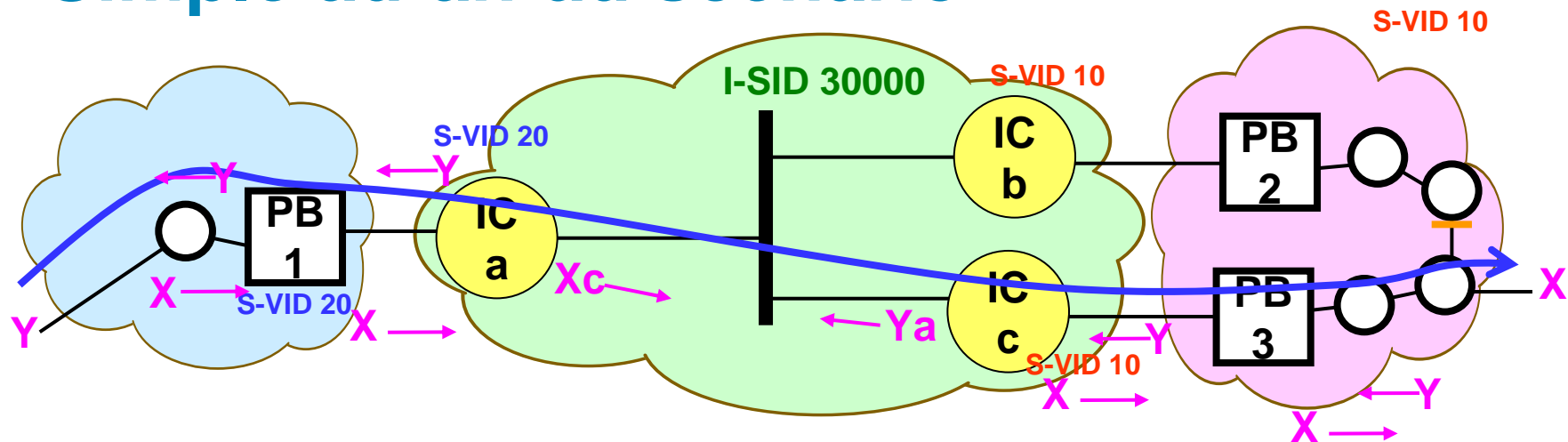
# **Problem statement**

# Simple ad-ah-ad scenario



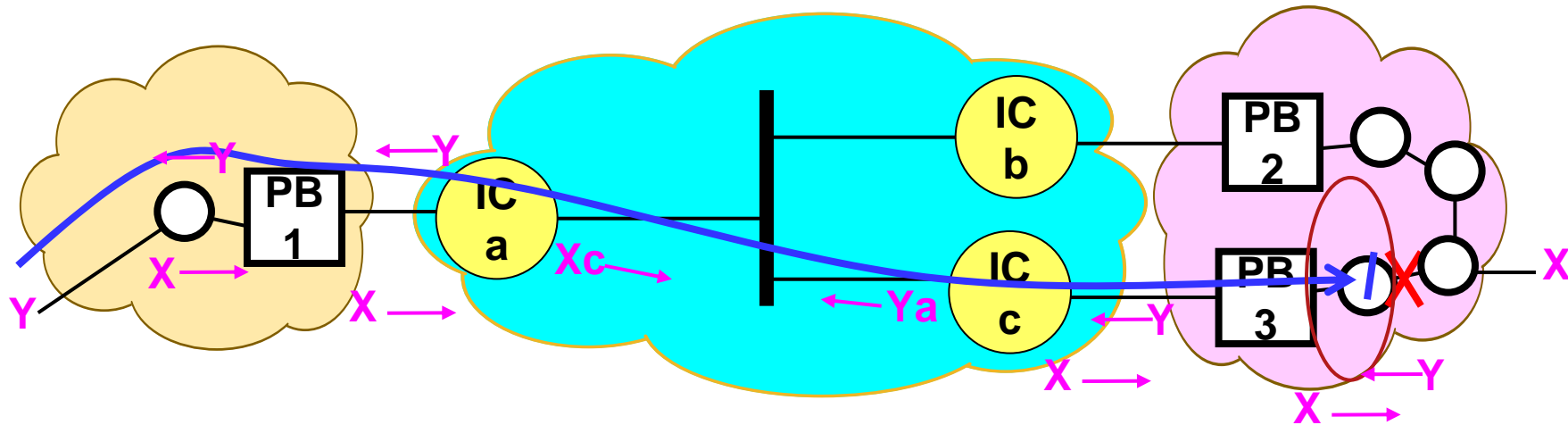
- Three I-components **a**, **b**, and **c** in an 802.1ah PBB cloud. Three S-bridges **1**, **2**, and **3** in two S-clouds. Two customer stations, **X** and **Y**.
- S-VIDs in left S-cloud are completely independent of S-VIDs in right S-cloud.
- No S-tags carried across backbone.
- Both PB **1** & PB **2** are active, each for  $\frac{1}{2}$  of their cloud.

# Simple ad-ah-ad scenario



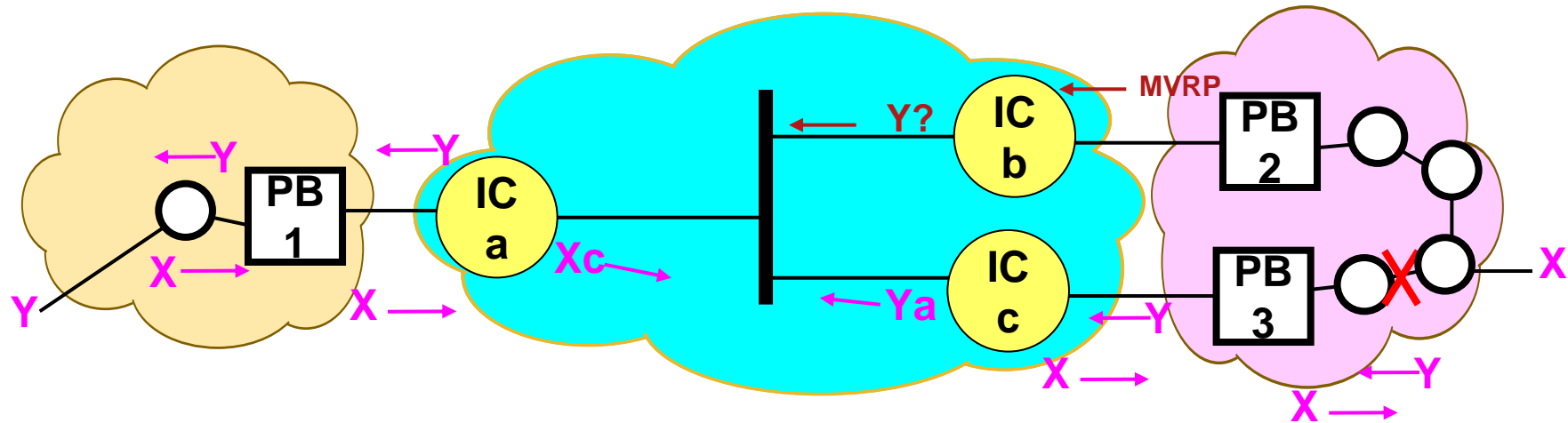
- **S-VID 10** is a service in the right PB cloud.
- **S-VID 20** is that same service in the left PB cloud.
- **I-SID 30000** is used to carry that service across the PBB cloud.
- I-component **a** learns that **X** is behind I-component **c**, and I-component **c** learns that **Y** is behind **a**.

# Simple ad-ah-ad scenario



- A **change in the topology** in the right cloud causes a block of MAC addresses to move from I-component **c** to I-component **b**.
- Until **X** sends a frame that reaches I-component **a**, all the **traffic from Y to X will be blackholed**, because **a** still sends it to **c**.

# Simple ad-ah-ad scenario



- I-component **b** can know about the change, because PB **2** can send it a Topology Change Notice, either via RSTP/MSTP or MVRP.
- But, how does I-component **b** notify I-components **a** and **c** that they must unlearn **X**, and start flooding?
- And, how do PB **3** and its neighbor know to unlearn **X**?

## Simple ad-ah-ad scenario

- If we wait long enough, then either a station in the right cloud will speak up, and the left I-component will relearn. Often, this happens very quickly. In the worst case, however, connectivity between stations may be interrupted until the information times out.
- If this was a central S-bridge cloud connected to a pair of Customer clouds, the answer would be that the S-bridges would use MVRP to propagate a TCN for the S-VID on which the customer's service is carried.
- The problem is that, in this case, the **only service identifier** that is carried among the three PB bridges is an **I-SID**.



# Simple ad-ah-ad scenario

- In this case, I-component **b** wants to tell I-component **a**, “Forget all the MAC addresses belonging to S-VID 10 that you did not learn from me.”
- But, while the frames carrying this service are labeled with **S-VID 10** in I-component **b** and I-component **c**, they are labeled with **S-VID 30** in I-component **a**.
- So, if I-component **b** sends an MVRP TCN message for S-VID 10, it will be **misinterpreted** in I-component **a**.



# Solutions

# One solution

- If I-component **b** **knows** that its own S-VID 10 corresponds to S-VID 20 in I-component **a**, then it can **translate the S-VIDs**, and send an MVRP message for S-VID 20 to I-component **a**.

Equivalently, I-component **a** could **translate** from 10 to 20 on **receipt** of an MVRP PDU from I-component **b**.

- But, this requires every S-cloud to know the I-SID/S-VID mappings in every I-component to which it connects.

This information is not otherwise needed by the network.

It would be difficult to keep this information correct, difficult to debug when it is wrong (since it is not needed in the data plane) and difficult to reconfigure.

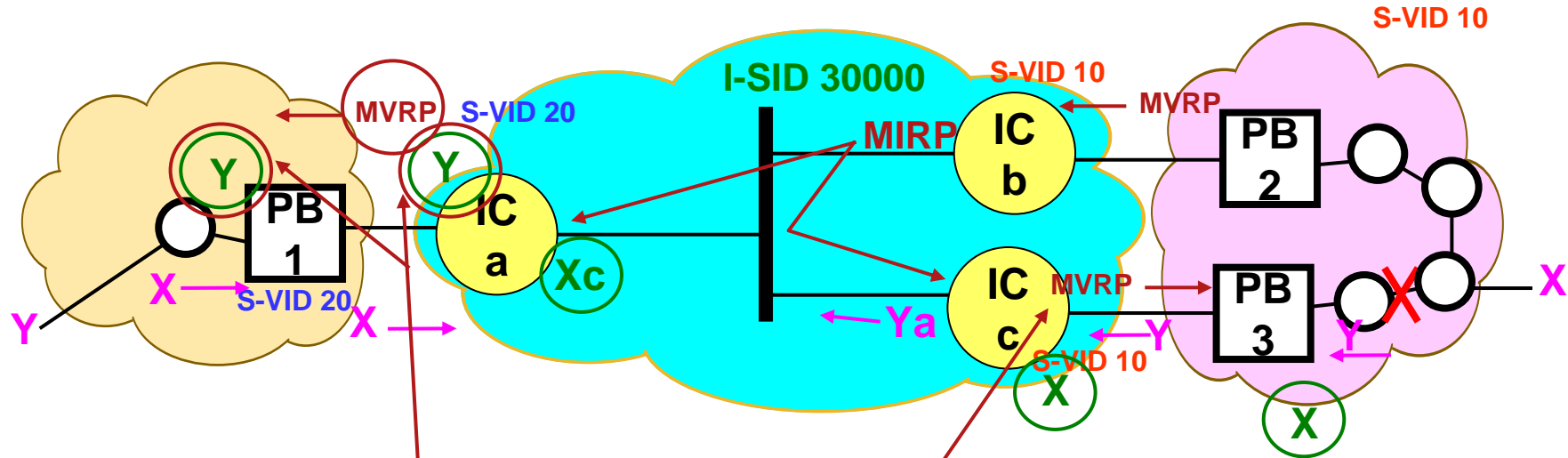
## A better solution

- I-component has to know the translation from its **S-VID 10** to or from **I-SID 30000**, since it must perform that translation on every data frame.
- It could, therefore, send an MVRP-like TCN notification for **I-SID 30000** to I-components **a** and **c**.
- Similarly, I-components **a** and **c** can convert the MVRP-like TCN for **I-SID 30000** back to an MVRP/STP TCN.
- **This is called MIRP.**

Clearly, MIRP PDUs do not have double addresses, and do not have I-tags, because an MIRP PDU contains information about many I-SIDs.

Clearly, MIRP PDUs are of no interest to the backbone bridges, because backbone bridges do not learn customers' MAC addresses.

# MIRP



- MIRP notifies IC a and IC c to, “Forget S-address to I-component bindings you didn’t learn from me.” They, in turn, notify their networks.
- Addresses **are forgotten**.
- Note that **configuration** would be required to differentiate between IC c and IC a. In this particular case, IC c needs to propagate the TCN into MVRP; IC a does not.

# Simple issues

- **What destination MAC address** is used to get a MIRP PDU to all of the I-components that would be interested in its contents, but not necessarily all I-components?

If information about only one I-SID is contained in the MIRP PDU, send it to the destination MAC address used for that I-SID's multicast data frames.

If information about more than one I-SID is contained in the MIRP PDU, send it to a newly-defined “all I-components” group MAC address.

- **What B-VLAN?**

In many cases, an appropriate B-VLAN is available.

But, it would appear that in other cases, a management, or “all I-components” B-VLAN is required.

# An architectural issue

- Where does the MIRP component go in the 802.1ah architecture?

- There is no obvious place to put it.

The I-component, itself, has one port per I-SID, and no place to send a packet that would not be encapsulated into an I-SID.

The Virtual Instance Ports handle one I-SID each, and have no knowledge of any other I-SID.

Clearly, the Physical Instance Port has to handle the frames, but it has no clear tie-in to the STP or MVRP state in the I-component.

- This can be resolved.

Suggestion: PIP has a baggy pants “pocket.”

# MIRP vs. MVRP

- MIRP works exactly like MVRP, except that:

It carries **24-bit I-Service IDs** as its attributes, instead of 12-bit VLAN IDs.

As described, it is of interest only at points in the network where I-tags are added or removed, not in the interior of the 802.1ah network, so its information is **propagated only to I-components**.

In the I-components, the information is propagated by translating to/from MIRP I-SIDs and MVRP/RSTP/MSTP S-VIDs.

The I-Components are operating in applicant-only mode; they are not registering each others' VLANs, and they are not transmitting LeaveAlls.

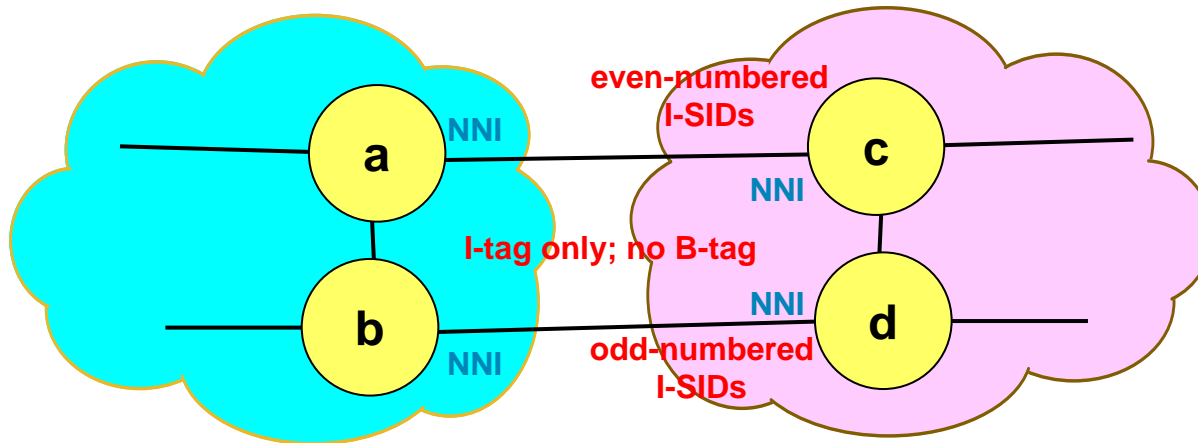
There are other uses, as well ...





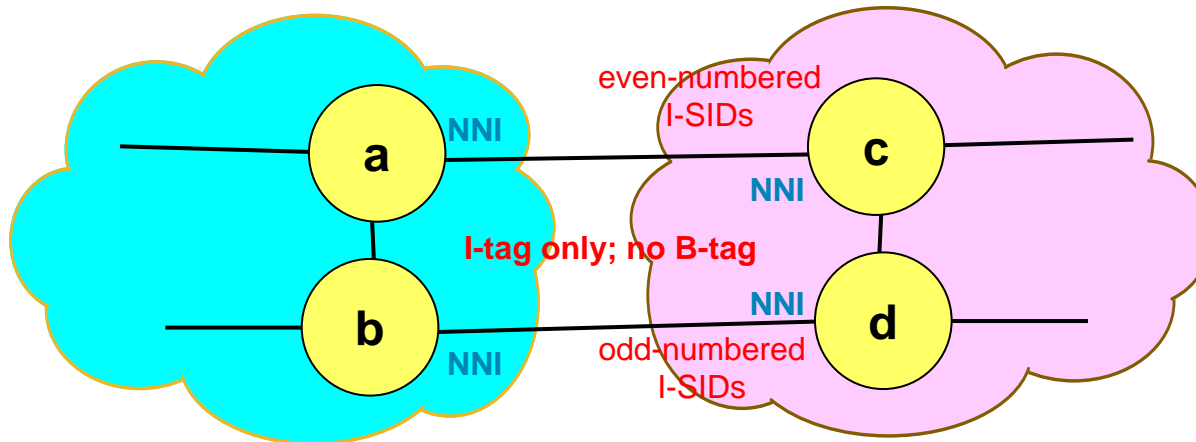
## **Additional uses for MIRP**

## A second use case: I-tagged NNI



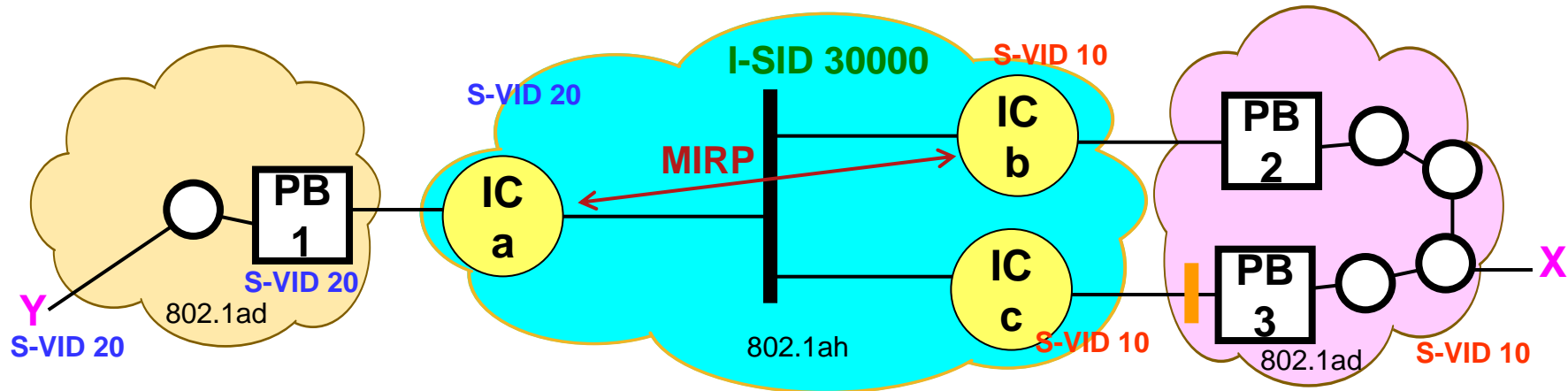
- Two backbone clouds are connected by a pair of NNIs that are I-tagged only. (Each bridge **a-d** supplies the B-VLAN based on looking up the I-SID in a table.)
- Bridges **c** and **d** are running L2GP (Layer 2 Gateway Protocol) to decide which B-VLANs, and hence which services, use the **a-c** link, and which use the **b-d** link.
- Bridges **a** and **b** follow the lead of Bridges **c** and **d**.

## A second use case: I-tagged NNI



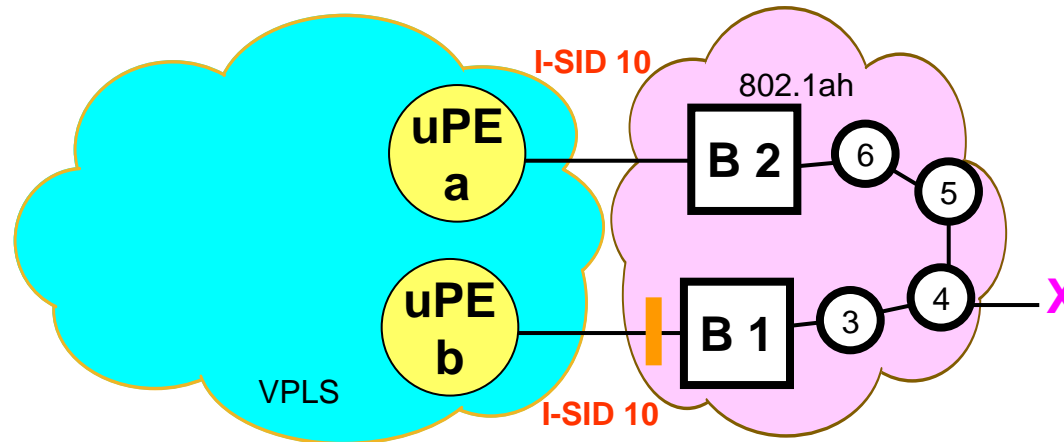
- How do Bridges **c** and **d** communicate their preferences to Bridges **a** and **b**, so that they don't receive data on blocked I-SIDs, that they will just throw away? **MIRP**, of course.
- This is exactly the same way **MVRP** is used with L2GP to connect an S cloud to a Backbone cloud, or a Customer cloud to an S or Backbone cloud.
- MIRP can also signal a request for a **new service**.

# A third use case: I-component discovery



- Suppose **X** and **Y** are the **only** ports in a two-point service; the right-hand cloud has two connections for redundancy. **PB 3 blocks** one, using L2GP.
- IC **a** and IC **b** can optimize backbone efficiency by using unicast B-addresses, even for S-space multicasts.
- But, how do they **discover** each others' MAC addresses? Configuration? No, **MIRP!**

# A fourth use case: Dual-homed edge cloud



- Access (edge) cloud is 802.1ah or DSLAMs.
- Access “cloud” may be a single device.
- Core cloud is 802.1ah, MLSP, and/or VPLS.
- **Interface** is 802.1ah I-tagged (or double Q-tagged).
- How to signal preferences to core? **MIRP!**



# Conclusion

# Conclusion

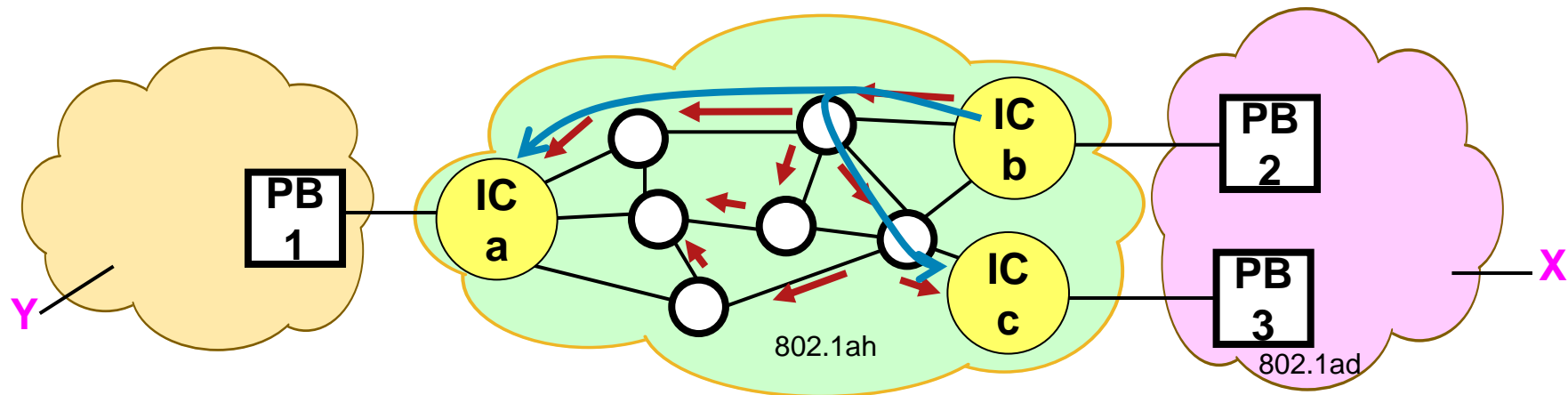
- **The problems is real.** There is currently no way to:
  - Signal the need for a remote I-component to forget associations between Customer-space MAC addresses and B-space I-component MAC addresses;
  - Relay MVRP/RSTP/MSTP TCNs from one 802.1ah Customer Network Port to another CNP in another I-component; or
  - Signal I-SID load sharing decisions across an I-tagged or I-S-tagged link.
  - Discover I-components belonging to the same point-to-point services across the backbone.
  - Signal a need for I-tagged or double-Q-tagged services from an access cloud to the core cloud.
- **MIRP would solve these problems.**



## **Additional information**

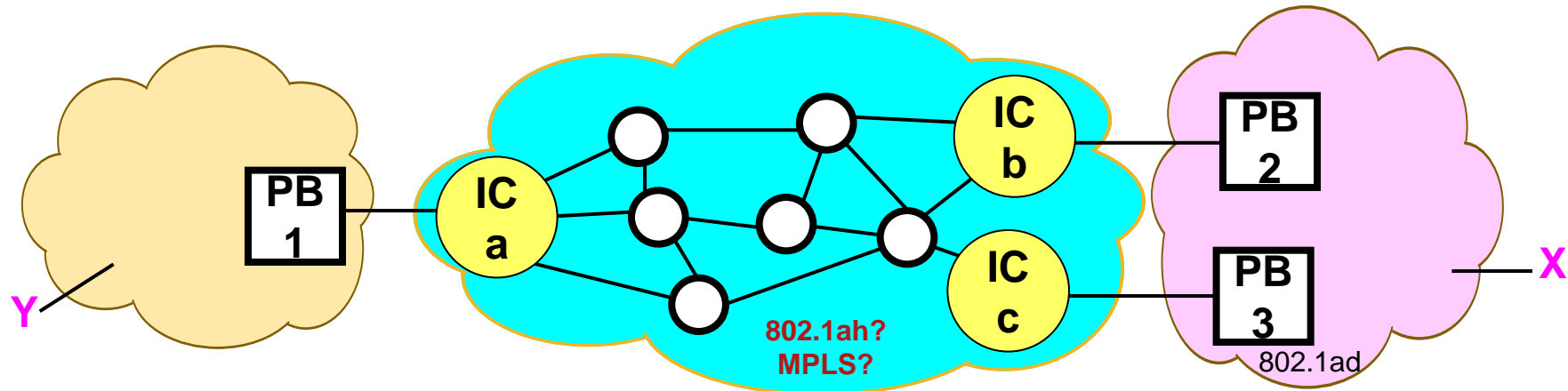


# MMRP vs. MIRP



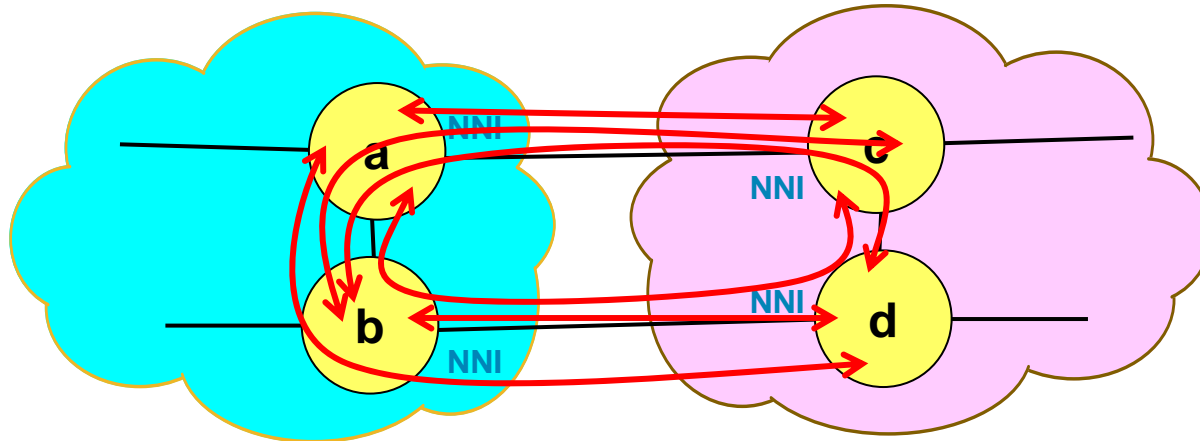
- MMRP moves **hop-by-hop** through the backbone cloud, because it is informing every backbone bridge about what MAC addresses are needed where.
- MIRP flows as an **ordinary multicast** frame to all I-Components; the intervening backbone bridges do not intercept it.
- If point-to-point services are carried in **multicasts**, **MMRP** is necessary, anyway.
- If point-to-point services are carried in **unicasts**, then **MIRP** is much more efficient, for those services.

# Underlying strata



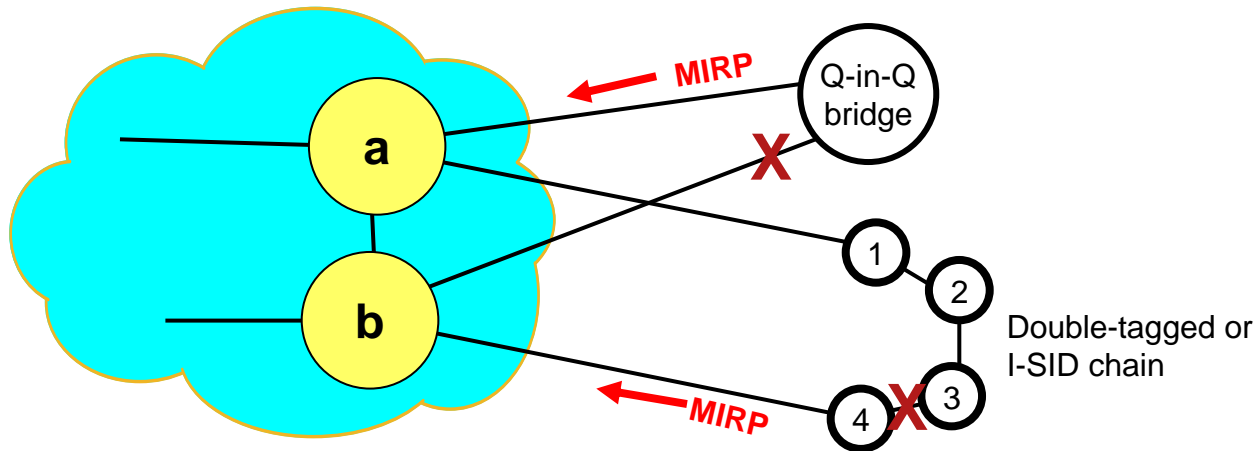
- MIRP **scales**, because it carries information about up to ~4k services in one frame.
- But, MIRP moves over the medium (the B-VLAN backbone network) that **underlies** all of the services; it does not run over any particular customer service.
- There is **no obvious analog** to this underlying medium for MPLS-based backbones.
  - This could be fixed!
  - (But, not by 802.1)

# MIRP necessary in an NNI? **no**



- There is protection switching alternative to L2GP and MIRP in the NNI.
- Creating a network of Maintenance Entities can fully protect the **a** — **c** link against a single failure
- This may be preferable to using MIRP.

# Edge cloud or edge bridge



- For the ring of DSLAMs or even a single edge device with dual homing to the main cloud, how do I-Components **a** and **b** know that one of the links has **failed**, so they can signal this to the other I-Components?
- **MIRP** seems to be useful, in this case.

## draft-sajassi-l2vpn-pbb-vpls-cmac-flush-00.txt

- This draft offers a means of flushing a single service.
  - It carries **25 bits** of information: the I-SID and the fact that this I-SID needs to be flushed.
  - Does this really require **1408 bytes**?
  - Would compacting a number of I-SIDs into a single frame be more efficient?
  - Can we come up with a way to transmit this in an MPLS world?